

# Service Kit Catalogue

Unilift AP, APB, APG, CC, KP



- 1. UNILIFT AP, APB .....3**
  - Type key ..... 3
  - UNILIFT AP12, 35, 50 ..... 4
  - UNILIFT AP35B, AP50B ..... 6
  
- 2. UNILIFT APG .....8**
  - Type key, UNILIFT APG..... 8
  - UNILIFT APG ..... 9
  
- 3. UNILIFT CC .....13**
  - Type key ..... 13
  - UNILIFT CC 5, 7, 9 ..... 14
  
- 4. UNILIFT KP .....17**
  - Type key ..... 17
  - UNILIFT KP, model A, B, C ..... 18

# 1. UNILIFT AP, APB

## Type key

Example:

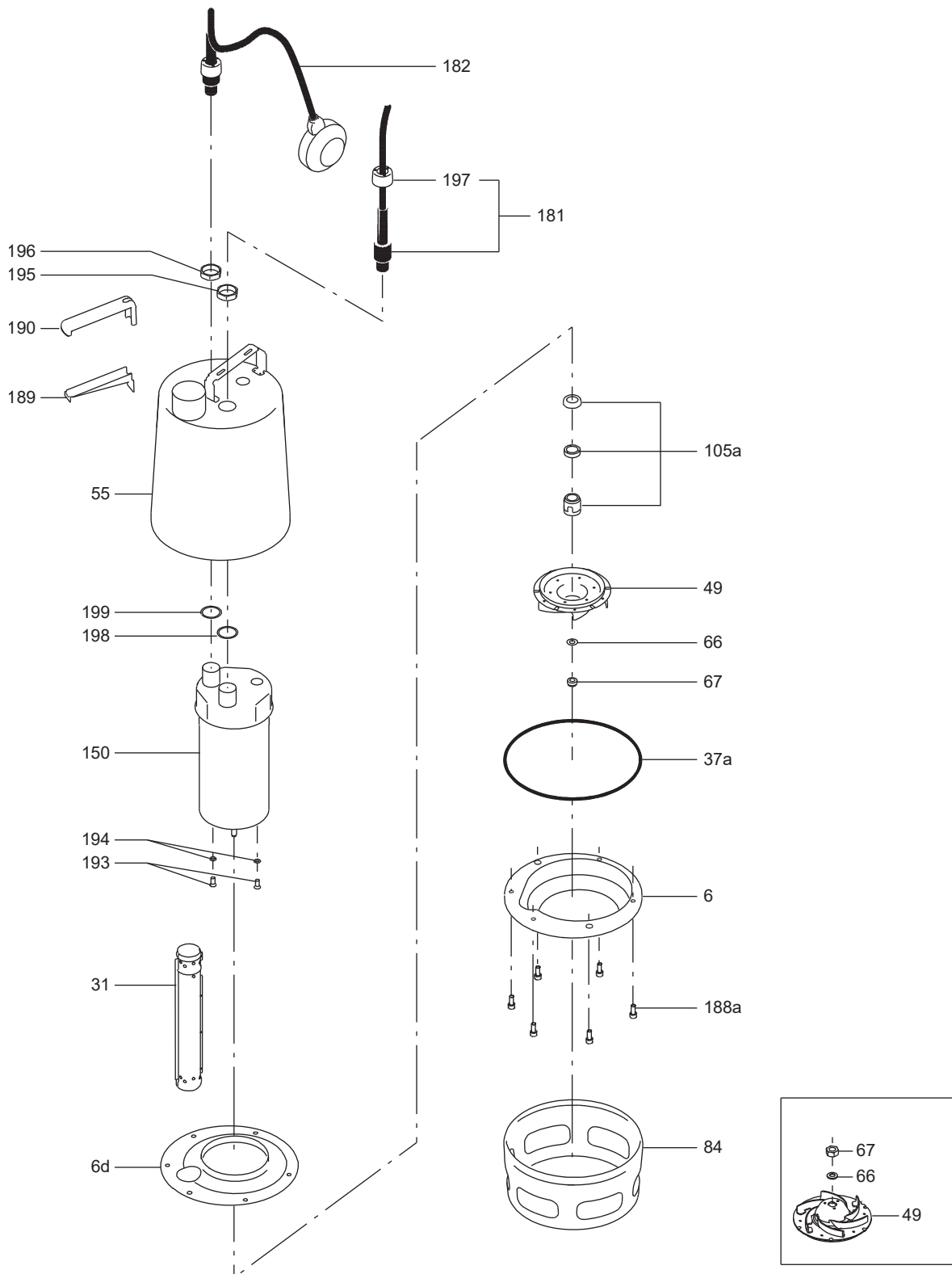
UNILIFT AP 35.B.50.08.A1V

	Description
UNILIFT AP	Type range
12	Maximum solids size
35	
50	
Blank - AP pump B - AP Basic	Pump type
40	Nominal diameter of the outlet port [mm]
50	
	Power output (P2/100[W])
A - automatic operation (with float switch)	Level control
Blank - manual operation (without float switch)	
1 - single-phase	Motor
3 - three-phase	
V - vortex impeller	Impeller

**UNILIFT AP12, 35, 50****Kit, shaft seal**

Pos.	Pump type	Produced before 0321 (yyww)	
	Material	BQQP	BQQV
	Kit No.	96427804	96426650
37a	O-ring	1	1
37a	O-ring	1	1
66	Disc spring	1	1
66	Spring lock washer	1	1
66c	Adapter	-	1
67	Nut	1	1
67	Lock nut	1	1
105a	Shaft seal	1	1
193	Screw	2	2
194	O-ring	2	2
198	O-ring	2	2
188a	Hex socket head cap screw	6	6
-	Oil	1	1

Exploded view for UNILIFT AP12, 35, 50



TM025230

**UNILIFT AP35B, AP50B****Kit, cable (new type)**

Pos.	Plug type	Schuko		None	
		Schuko	Schuko	None	None
	Kit No.	16701	16702	16734	16730 16731
	Switch	Float switch	-	Float switch	- -
	Phase	1	1	1	3 3
	Cable length [m]	10	10	5	5 10
26	Nut	2	2	2	2 2
26a	Washer	2	2	2	2 2
182	Cable complete	1	1	1	

**Kit, cable repair**

Pos.	Kit No.	96429310	
		Description	Manual
-	Cable entry		1
-	Grommet		1
-	Cable connector		1
-	Tube		1
-	Pin connector		5
-	Plug		2
-	Clamp		

**Kit, guide shoe**

Pos.	Outlet	Rp 2		NPT 2	
		Description	NBR	NBR	NBR
	Kit No.	97771479	97771485		
-	Rubber seal for guide shoe	1	1		
-	Guide shoe	1	1		

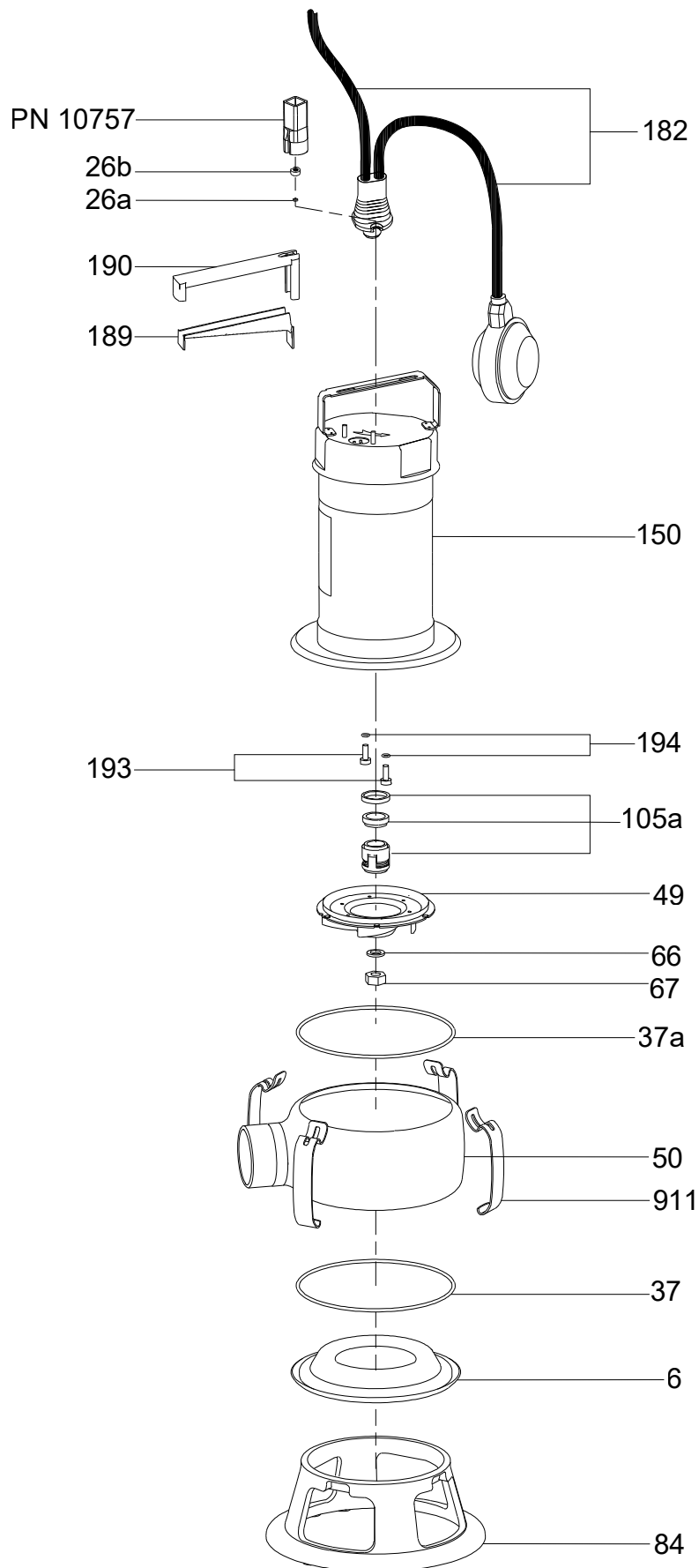
**Kit, shaft seal**

Pos.	Pump type	Produced before 0321 (yyww)	
		Kit No.	96429307 96429308
	Description	BQQP	BQQV
37	O-ring	1	1
37a	O-ring	1	1
66	Lock washer	1	1
67	Nut M10	1	1
105a	Shaft seal	1	1
193	Screw	2	2
194	O-ring	2	2
-	Oil	1	1

**Spare, SmartSeal**

Pos.	Kit No.	Rp 2/NPT 2	
		Description	NBR
	Kit No.	97771488	
-	SmartSeal for guide shoe		1

Exploded view for UNILIFT AP35B, AP50B



TM039124

## 2. UNILIFT APG

### Type key, UNILIFT APG

Example: UNILIFT APG.40.10.A1. 1x220-240V SCH

Code	Explanation	Designation
UNILIFT APG	Product name	
40		Nominal diameter of the outlet
10		Power output, P2 / 100 [W]
[ ]	Manual operation without float switch	Level control
A	Automatic operation with float switch	
1	Single-phase	Motor type
3	Three-phase	
1 x 230 V		Nominal voltage
1 x 220 - 240 V		
3 x 220 V		
3 x 380 V		
3 x 400 V		
[ ]	No plug	
SCH	Europe - F type wall plug	Plug type
ARG	Argentina - IRAM approved I type wall plug	
AUS	Australia, New Zealand - I type wall plug	



## UNILIFT APG

## Kit, cable

Pos.	Motor	1-Phase	1-Phase	1-Phase	1-Phase	3-Phase
	Plug type	None	Australia	Argentina	Schuko	None
	Kit No	92693615	92697765	92697766	92697767	92693617
181	Cable	1	1	1	1	1
34	Screw for retainer clip	1	1	1	1	
86	Retainer Clip	1	1	1	1	
194	O-rings for screws, NBR	4	4	4	4	4
157	O-ring for motor top, NBR	1	1	1	1	1
193	Screws for motortop	4	4	4	4	4

## Kit, capacitor

Pos.	Motor	1-Phase
	Kit No	92695572
161	Capacitor 35 µF, 450V	1
194	O-rings for screws, NBR	4
157	O-ring for motor top, NBR	1
193	Screws for motortop	4

## Kit, impeller

Pos.	Frequency[Hz]	50	60
	Kit No	92693611	92928694
49	Impeller	1	1
9a	Key	1	1
66	Lock washer	1	1
188a	Screw M8 x 25, A2	1	1
-	Stop ring	2	2
-	V-ring	1	1

## Kit, control box

Pos.	Motor	3-Phase	3-Phase
	Voltage[V]	220-230	380-400
	Level control	A	A
	Kit No	92747267	92747266
163	Control box	1	1
181	Cable, 3 phase for control box	1	1
194	O-rings for screw, NBR	4	4
157	O-ring for motor top, NBR	1	1
193	Screws for motortop	4	4
182	Float switch	1	1

## Kit, float switch

Pos.	Motor	1-Phase
	Level control	A
	Kit No	92695571
182	Float switch	1
34	Screw for retainer clip	1
86	Retainer clip	1
194	O-rings for screws, NBR	4
157	O-ring for motor top, NBR	1
193	Screws for motortop	4

## Kit, grinder

Pos.	Motor	1-Phase/3-Phase
	Frequency[Hz]	50/60
	Kit No	92693612
45	Grinder head rotating	1
44	Grinder ring, stationary	1
44a	Screw M8 x 25, A2	1
66	Lock washer	1
188a	Screw M8 x 25, A2	1

**Kit, motor**

	Motor	1-Phase	1-Phase	1-Phase	1-Phase	1-Phase	1-Phase	3-Phase	3-Phase	3-Phase
	Frequency[Hz]	50	50	50	50	60	60	50	50	50
Pos.	Voltage[V]	220-240	230	220-240	230	230	230	220	380	400
	Level control	A	A	-	-	-	A	-	-	-
	Kit No	92693542	92693544	92701743	92701745	92940304	92940308	92701747	92701746	92693545
150	Motor Complete	1	1	1	1	1	1	1	1	1
190	Handle	1	1	1	1	1	1	1	1	1
34	Screws for retainer clip	2	2	2	2	2	2	2	2	2
86	Retaining ring clip	2	2	2	2	2	2	2	2	2
193	Screws for motortop	4	4	4	4	4	4	4	4	4
194	O-rings for screws, NBR	4	4	4	4	4	4	4	4	4
157	O-ring for motor top, NBR	1	1	1	1	1	1	1	1	1
37	O-ring for volute, NBR	1	1	1	1	1	1	1	1	1
161	Capacitor 35 µF, 450V	1	1	1	1	1	1			
184b	Screws for pump housing	4	4	4	4	4	4	4	4	4

**Kit, O-ring**

	Motor	1-Phase/3-Phase
Pos.	Frequency[Hz]	50/60
	Kit No	92693638
194	O-rings for screws, NBR	4
157	O-ring for motor top, NBR	1
37	O-ring for volute, NBR	1

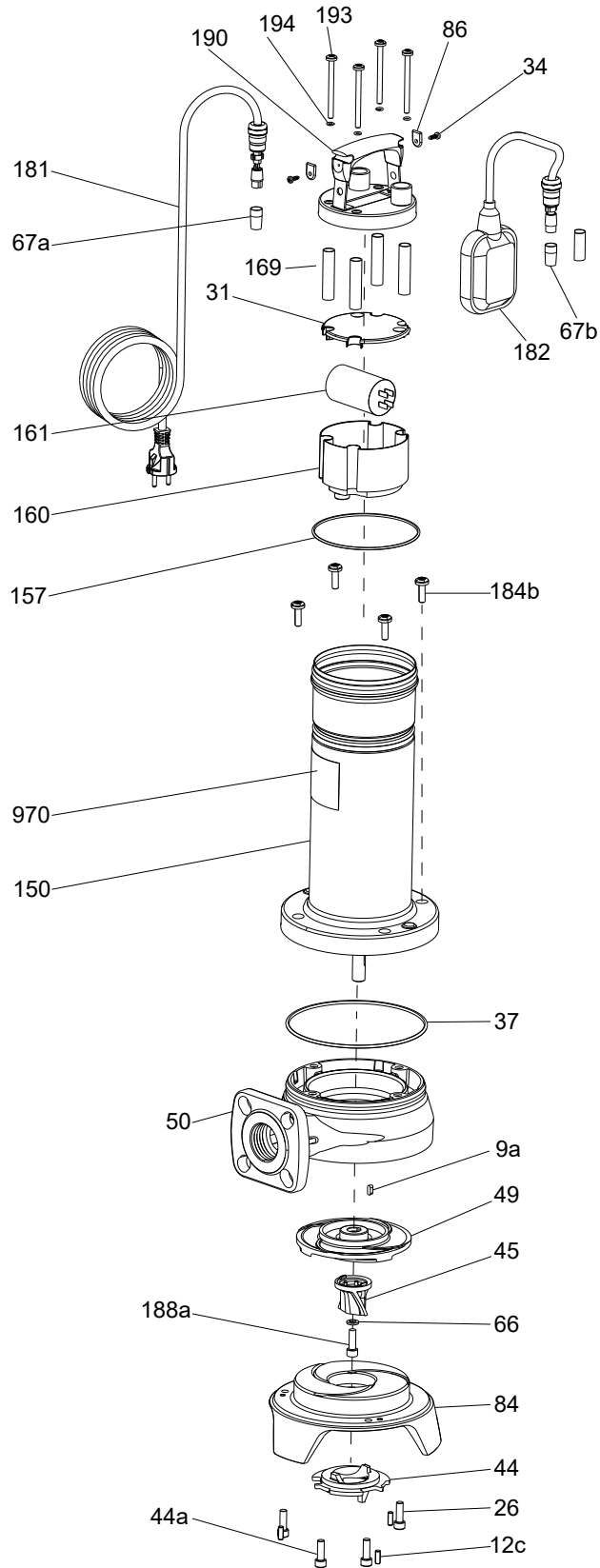
**Kit, screws**

	Motor	1-Phase/3-Phase
Pos.	Frequency[Hz]	50/60
	Kit No	92693631
26	Screws M8 x 25, A2	5
12c	Screws M6 x 16, A2, setscrews	3

**Spare, base with 3 legs**

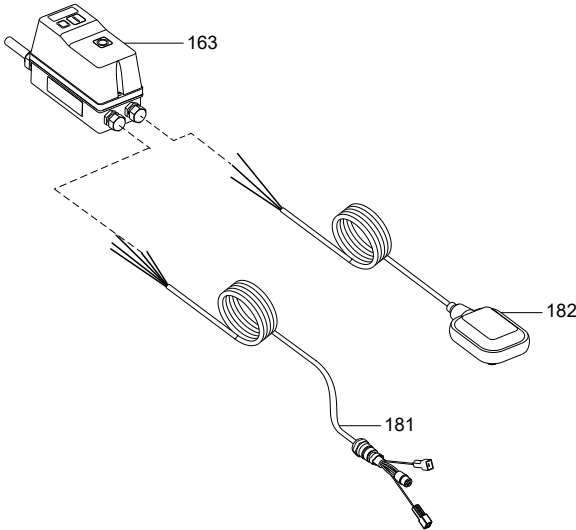
	Motor	1-Phase/3-Phase
Pos.	Frequency[Hz]	50/60
	Kit No	93010024
84	Base, Unilift APB-G machined and cataphorized	1

Exploded view for UNILIFT APG



TM081327

Exploded view for control box



TM082181

### 3. UNILIFT CC

#### Type key

Example: UNILIFT CC.9.A1.HG

Code	Description
UNILIFT	Type range
CC	Type
5	
7	Max. head [m]
9	
A1 - automatic operation	Level control
M1 - manual operation	
[-] - standard	
GA - Guided arm version	Special variant
HG - high grade material	

**UNILIFT CC 5, 7, 9****Kit, bottom part**

Pos.	Description	CC 5, 7, 9
	<b>Kit No.</b>	<b>97530921</b>
50	Pump housing, inlet	1
37a	O-rin	

**Kit, cable**

Pos.	Description	50 Hz						60 Hz
		CC 5			CC 7, CC 9			230 V
		Kit No.	96578971	97825411	97825415	96578972	97825435	97825438
Plug type	Schuko	Australia	None	Schuko	Australia	None	US	
181	Cable, 10 m	1	1	1	1	1	1	-
	Cable, 32 ft	-	-	-	-	-	-	1
250	Cable entry	1	1	1	1	1	1	1
250a	Cable relief	1	1	1	1	1	1	1
48a	O-ring	1	1	1	1	1	1	1
48b	Cable crimp	3	3	3	3	3	3	3

**Kit, capacitor**

Pos.	Description	50/60 Hz	50 Hz	60 Hz		
		230 V	230 V	115 V		230 V
		CC 5	CC 7, CC 9	CC 5, 7	CC 9	CC 7, 9
Kit No	96578976	96578977	97825310	97825316	97824695	
161	Capacitor	10	10	10	10	10
48b	Cable crimp	20	20	20	20	20

**Kit, discharge connection**

Pos.	Pump type	Unilift CC 5, 7, 9
	Kit No.	97825319
Thread type		G
149b	Discharge connection	1
149a	O-ring	1
130a	Discharge elbow GAS 1 1/4 - GAS 1 1/4	1

**Kit, flap valve**

Pos.	Pumpe type	Unilift CC 5, 7, 9
	Kit No	97825322
149	Rubber flap valve	1
149a	O-ring	1

**Kit, float switch**

Pos.	Pump type	Unilift CC 5, 7, 9
	Frequency	50/60 Hz
Kit No.		96578970
182	Float switch	1
250	Cable entry	1
250a	Cable relief	1
48a	O-ring	1
48b	Cable crimp	4

**Kit, impeller**

Pos.	Description	50 Hz			60 Hz		
		CC 5	CC 7	CC 9	CC 5	CC 7	CC 9
		Kit No.	96578967	96578968	96578969	97512794	97512822
48a	O-ring	1	1	1	1	1	1
49	Impeller	1	1	1	1	1	1
66	Washer	1	1	1	1	1	1
67	Nut	1	1	1	1	1	1
159	V-ring	-	1	1	-	1	1

**Kit, motor**

Pos.	Description	50/60 Hz			60 Hz		
		230 V			115 V		
		CC 5	CC 7	CC 9	CC 5	CC 7	CC 9
Kit No.	96578973	96578974	96578975	97513772	97513776	97513778	
48	Motor	1	1	1	1	1	1
48a	O-ring	1	1	1	1	1	1
48b	Cable crimp	3	3	3	3	3	3

**Kit, O-ring**

Pos.	Pumpe type	Unilift CC 5, 7, 9
Kit No		98561387
48a	O-ring	1
37a	O-ring	2
149a	O-ring	1

**Bulk, discharge connection**

Po	Pump type	Unilift CC 5, 7, 9	Unilift CC 5, 7, 9
s.	Kit No	96578979	97825317
	Thread type	G	NPT
14	Discharge		
9b	connection	10	10

**Bulk, flap valve**

Pos.	Pump type	Unilift CC 5, 7, 9
Kit No		96578978
149	Rubber flap valve	10

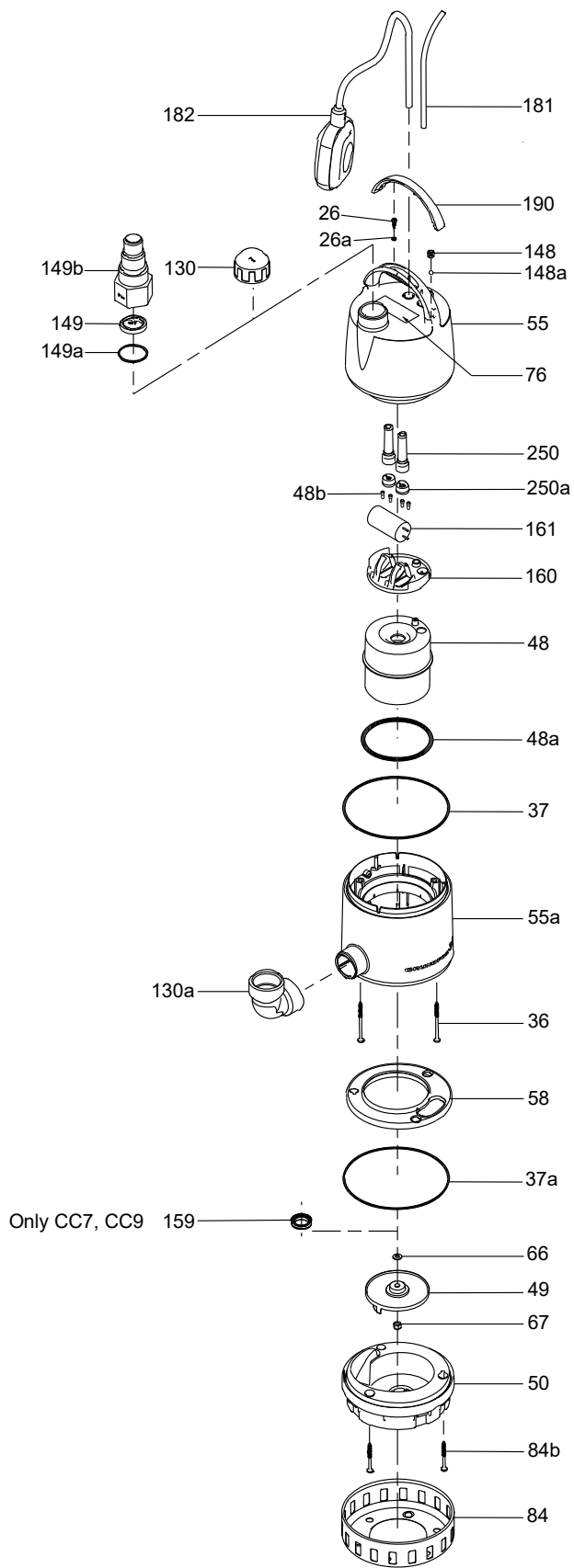
**Bulk, handle cover**

Pos.	Pump type	Unilift CC 5, 7, 9
Kit No		96622011
190	Handle cover	10

**Spare, strainer**

Pos.	Pump type	Unilift CC 5, 7, 9
Kit No		96578990
84	Strainer	1

Exploded view for UNILIFT CC 5, 7, 9



TM031101



## 4. UNILIFT KP

### Type key

Example:

UNILIFT KP.150.A.1

	Description
UNILIFT KP	Type range
150	
250	Rated motor output (P2 [W])
350	
AV - With vertical level switch (automatic operation)	
A - With float switch (automatic operation)	Level control
M - Without level switch (manual operation)	
1 - single-phase	Motor
3 - three-phase	

## UNILIFT KP, model A, B, C

## Kit, cable

Pos.	Plug type	Australia		CEE		CH		
	Kit No.	16715	16716	16735	16736	16712	16710	16711
	Phase	1	1	3	3	1	1	1
	Cable length [m]	5	5	5	10	10	5	10
26	Nut	2	2	2	2	2	2	2
26a	Washer	2	2	2	2	2	2	2
181	Cable	1	-	1	1	1	-	-
	Cable with float switch	-	1	-	-	-	1	1

Pos.	Plug type	Schuko					US	No plug
	Kit No.	16702	16703	16700	16701	16704	16729	16725
	Phase	1	1	1	1	1	1, 115 V	
	Cable length	10 m	3 m	3 m	10 m	10 m	25 ft	5 m
26	Nut	2	2	2	2	2	2	2
26a	Washer	2	2	2	2	2	2	2
181	Cable	1	-	-	-	-	1	1
	Cable with float switch	-	-	1	1	-	-	-
	Cable with level switch	-	1	-	-	1	-	-
32	Mounting bracket	-	1	-	-	1		
33	Screw	-	2	-	-	2		
34	Screw	-	1	-	-	1		

Pos.	Plug type	None				
	Kit No.	16726	16739	16738	16724	16723
	Switch	-	Level switch	Level switch	Float switch	Float switch
	Phase	1	1	1	1	1
	Cable length [m]	10	5	10	3	10
26	Nut	2	2	2	2	2
26a	Washer	2	2	2	2	2
32	Mounting bracket	-	1	1	-	-
33	Screw	-	2	2	-	-
34	Screw	-	1	1	-	-
181	Cable complete	1	1	1	1	1
149	Non-return valve	-	1	-	-	-

Pos.	Plug type	None	
	Kit No.	16730	16731
	Switch	-	-
	Phase	3	3
	Cable length [m]	5	10
26	Nut	2	2
26a	Washer	2	2
181	Cable complete	1	1

**Kit, guide shoe**

Pos.	Outlet	Rp 2	NPT 2
	Rubber type	NBR	NBR
	Kit No	97771479	97771485
<b>Description</b>			
-	Rubber seal for guide shoe	1	1
-	Guide shoe	1	1

**Kit, impeller, 50 Hz**

Pos.	Model	A and B		C	
				1 x 100-110 V 3 x 200 V 3 x 380-400 V	1 x 220-240 V as from 0108 (yyww)
				1 x 220-240 V until 0108 (yyww)	
	<b>Pump type</b>	150	250	350	350
	<b>Kit No.</b>	015778	015779	015785	015787
<b>Description</b>					
37	Sealing part	1	1	1	1
49	Impeller	1	1	1	1
67	Lock nut	1	1	1	1

**Kit, impeller, 60 Hz**

Pos.	Model	A and B		C	
	<b>Pump type</b>	150	250	350	350
	<b>Kit No.</b>	015783	015784	015786	015786
<b>Description</b>					
37	Sealing part	1	1	1	1
49	Impeller	1	1	1	1
67	Lock nut	1	1	1	1

**Kit, shaft with rotor**

Pos.	Pump type	150		250		350	
		50 Hz	50/60 Hz	50 Hz	50/60 Hz	50/60 Hz	50/60 Hz
		220-240 V	220-240 V	3 x 380-415 V	220-240 V	220-240 V	3 x 380-415 V
	<b>Kit No.</b>	96545200	96545201	96645534	96645536	96645536	96645536
172	Shaft with rotor	1	1	1	1	1	1

**Kit, upper guide rail holder**

Pos.	Kit No.	96829356
	Description	DN 40
-	Upper guide rail holder	1
-	Rubber tube	2
-	Rubber tube	2
-	Hex head screw	2
-	Washer	2
-	Hex flange nut	2

**Spare, strainer**

Pos.	Pump type	150, 250	350
	Kit No.	96548064	96548066
84	Strainer	1	1

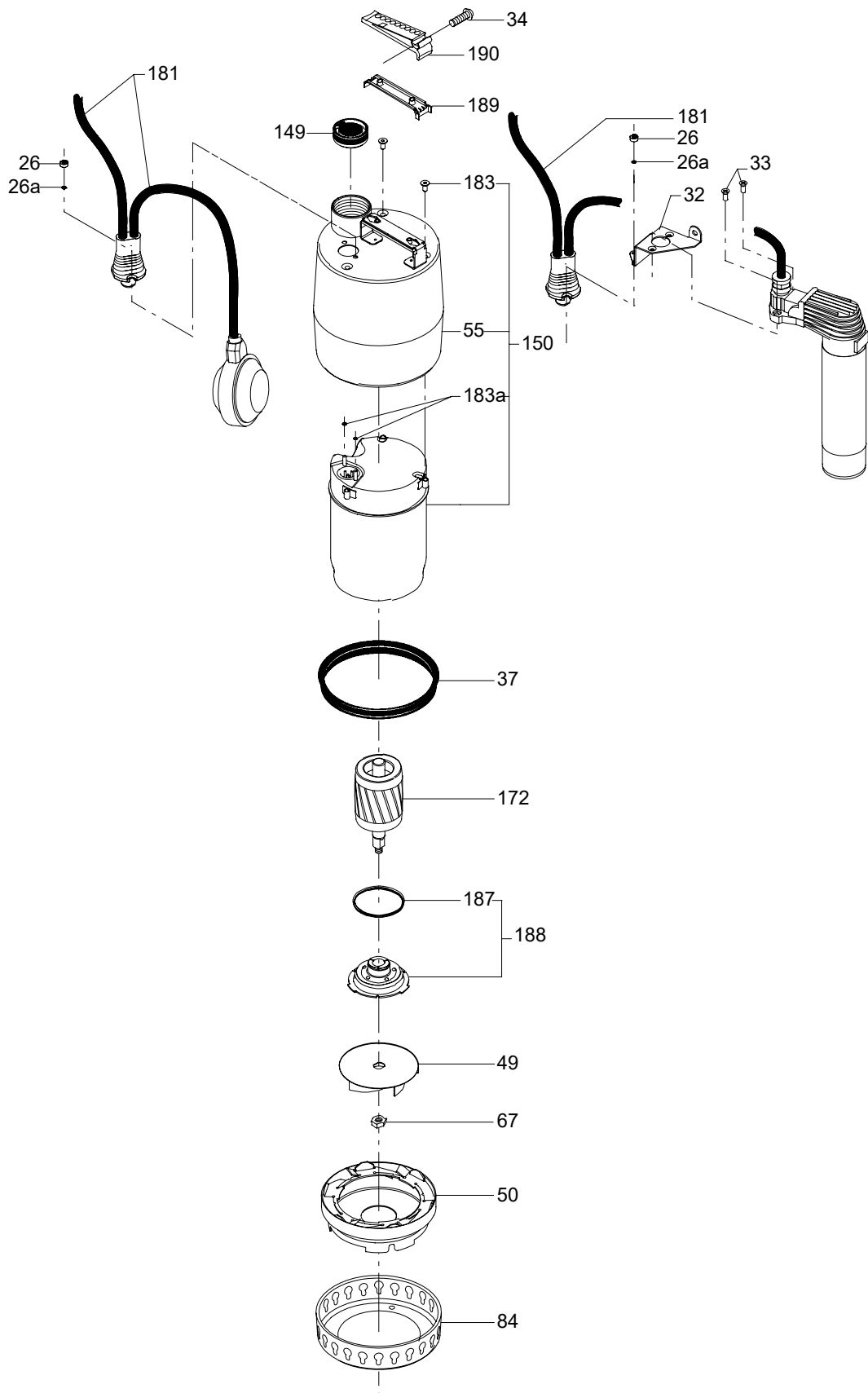
**Accessory, non-return valve**

Pos.	Kit No.	15220
149	Non-return valve	1

**Spare, bearing**

Pos.	Pump type	All
	Kit No.	96551553
188	Bearing complete	1

Exploded view for UNILIFT KP



TM001639

**Argentina**

Bombas GRUNDFOS de Argentina S.A.  
Ruta Panamericana km. 37.500industin  
1619 - Garin Pcia. de B.A.  
Tel.: +54-3327 414 444  
Fax: +54-3327 45 3190

**Australia**

GRUNDFOS Pumps Pty. Ltd.  
P.O. Box 2040  
Regency Park  
South Australia 5942  
Tel.: +61-8-8461-4611  
Fax: +61-8-8340-0155

**Austria**

GRUNDFOS Pumpen Vertrieb Ges.m.b.H.  
Grundfosstraße 2  
A-5082 Grödig/Salzburg  
Tel.: +43-6246-883-0  
Fax: +43-6246-883-30

**Belgium**

N.V. GRUNDFOS Bellux S.A.  
Boomssteenweg 81-83  
B-2630 Aartselaar  
Tel.: +32-3-870 7300  
Fax: +32-3-870 7301

**Bosnia and Herzegovina**

GRUNDFOS Sarajevo  
Zmaja od Bosne 7-7A  
BiH-71000 Sarajevo  
Tel.: +387 33 592 480  
Fax: +387 33 590 465  
www.ba.grundfos.com  
E-mail: grundfos@bih.net.ba

**Brazil**

BOMBAS GRUNDFOS DO BRASIL  
Av. Humberto de Alencar Castelo Branco,  
630  
CEP 09850 - 300  
São Bernardo do Campo - SP  
Tel.: +55-11 4393 5533  
Fax: +55-11 4343 5015

**Bulgaria**

Grundfos Bulgaria EOOD  
Slatina District  
Iztocna Tangenta street no. 100  
BG - 1592 Sofia  
Tel.: +359 2 49 22 200  
Fax: +359 2 49 22 201  
E-mail: bulgaria@grundfos.bg

**Canada**

GRUNDFOS Canada inc.  
2941 Brighton Road  
Oakville, Ontario  
L6H 6C9  
Tel.: +1-905 829 9533  
Fax: +1-905 829 9512

**China**

GRUNDFOS Pumps (Shanghai) Co. Ltd.  
10F The Hub, No. 33 Suhong Road  
Minhang District  
Shanghai 201106 PRC  
Tel.: +86 21 612 252 22  
Fax: +86 21 612 253 33

**Colombia**

GRUNDFOS Colombia S.A.S.  
Km 1.5 via Siberia-Cota Conj. Potrero  
Chico,  
Parque Empresarial Arcos de Cota Bod.  
1A.  
Cota, Cundinamarca  
Tel.: +57(1)-2913444  
Fax: +57(1)-8764586

**Croatia**

GRUNDFOS CROATIA d.o.o.  
Buzinski prilaz 38, Buzin  
HR-10010 Zagreb  
Tel.: +385 1 6595 400  
Fax: +385 1 6595 499  
www.hr.grundfos.com

**Czech Republic**

GRUNDFOS Sales Czechia and Slovakia  
s.r.o.  
Čajkovského 21  
779 00 Olomouc  
Tel.: +420-585-716 111

**Denmark**

GRUNDFOS DK A/S  
Martin Bachs Vej 3  
DK-8850 Bjerringbro  
Tel.: +45-87 50 50 50  
Fax: +45-87 50 51 51  
E-mail: info\_GDK@grundfos.com  
www.grundfos.com/DK

**Estonia**

GRUNDFOS Pumps Eesti OÜ  
Peterburi tee 92G  
11415 Tallinn  
Tel.: + 372 606 1690  
Fax: + 372 606 1691

**Finland**

OY GRUNDFOS Pumput AB  
Trukkikuja 1  
FI-01360 Vantaa  
Tel.: +358-(0) 207 889 500

**France**

Pompes GRUNDFOS Distribution S.A.  
Parc d'Activités de Chesnes  
57, rue de Malcombe  
F-38290 St. Quentin Fallavier (Lyon)  
Tel.: +33-4 74 82 15 15  
Fax: +33-4 74 94 10 51

**Germany**

GRUNDFOS GMBH  
Schlüterstr. 33  
40699 Erkrath  
Tel.: +49-(0) 211 929 69-0  
Fax: +49-(0) 211 929 69-3799  
E-mail: infoservice@grundfos.de  
Service in Deutschland:  
kundendienst@grundfos.de

**Greece**

GRUNDFOS Hellas A.E.B.E.  
20th km. Athinon-Markopoulou Av.  
P.O. Box 71  
GR-19002 Peania  
Tel.: +0030-210-66 83 400  
Fax: +0030-210-66 46 273

**Hong Kong**

GRUNDFOS Pumps (Hong Kong) Ltd.  
Unit 1, Ground floor, Siu Wai Industrial  
Centre  
29-33 Wing Hong Street & 68 King Lam  
Street, Cheung Sha Wan  
Kowloon  
Tel.: +852-27861706 / 27861741  
Fax: +852-27858664

**Hungary**

GRUNDFOS South East Europe Kft.  
Tópark u. 8  
H-2045 Törökbálint  
Tel.: +36-23 511 110  
Fax: +36-23 511 111

**India**

GRUNDFOS Pumps India Private Limited  
118 Old Mahabalipuram Road  
Thoraiakkam  
Chennai 600 097  
Tel.: +91-44 2496 6800

**Indonesia**

PT GRUNDFOS Pompa  
Graha intirub Lt. 2 & 3  
Jln. Cililitan Besar No.454. Makasar,  
Jakarta Timur  
ID-Jakarta 13650  
Tel.: +62 21-469-51900  
Fax: +62 21-460 6910 / 460 6901

**Ireland**

GRUNDFOS (Ireland) Ltd.  
Unit A, Merrywell Business Park  
Ballymount Road Lower  
Dublin 12  
Tel.: +353-1-4089 800  
Fax: +353-1-4089 830

**Italy**

GRUNDFOS Pompe Italia S.r.l.  
Via Gran Sasso 4  
I-20060 Truccazzano (Milano)  
Tel.: +39-02-95838112  
Fax: +39-02-95309290 / 95838461

**Japan**

GRUNDFOS Pumps K.K.  
1-2-3, Shin-Miyakoda, Kita-ku  
Hamamatsu  
431-2103 Japan  
Tel.: +81 53 428 4760  
Fax: +81 53 428 5005

**Kazakhstan**

Grundfos Kazakhstan LLP  
7' Kyz-Zhibek Str., Kok-Tobe micr.  
KZ-050020 Almaty Kazakhstan  
Tel.: +7 (727) 227-98-55/56

**Korea**

GRUNDFOS Pumps Korea Ltd.  
6th Floor, Aju Building 679-5  
Yeoksam-dong, Kangnam-ku, 135-916  
Seoul, Korea  
Tel.: +82-2-5317 600  
Fax: +82-2-5633 725

**Latvia**

SI A GRUNDFOS Pumps Latvia  
Deglava biznesa centrs  
Augusta Deglava ielā 60  
LV-1035, Rīga,  
Tel.: + 371 714 9640, 7 149 641  
Fax: + 371 914 9646

**Lithuania**

GRUNDFOS Pumps UAB  
Smolensko g. 6  
LT-03201 Vilnius  
Tel.: + 370 52 395 430  
Fax: + 370 52 395 431

**Malaysia**

GRUNDFOS Pumps Sdn. Bhd.  
7 Jalan Peguam U1/25  
Glenmarie industrial Park  
40150 Shah Alam, Selangor  
Tel.: +60-3-5569 2922  
Fax: +60-3-5569 2866

**Mexico**

Bombas GRUNDFOS de México  
S.A. de C.V.  
Boulevard TLC No. 15  
Parque industrial Stiva Aeropuerto  
Apodaca, N.L. 66600  
Tel.: +52-81-8144 4000  
Fax: +52-81-8144 4010

**Netherlands**

GRUNDFOS Netherlands  
Veluwezoom 35  
1326 AE Almere  
Postbus 22015  
1302 CA ALMERE  
Tel.: +31-88-478 6336  
Fax: +31-88-478 6332  
E-mail: info\_gnl@grundfos.com

**New Zealand**

GRUNDFOS Pumps NZ Ltd.  
17 Beatrice Tinsley Crescent  
North Harbour Industrial Estate  
Albany, Auckland  
Tel.: +64-9-415 3240  
Fax: +64-9-415 3250

**Norway**

GRUNDFOS Pumper A/S  
Stramsveien 344  
Postboks 235, Leirdal  
N-1011 Oslo  
Tel.: +47-22 90 47 00  
Fax: +47-22 32 21 50

**Poland**

GRUNDFOS Pompy Sp. z o.o.  
ul. Klonowa 23  
Baranowo k. Poznania  
PL-62-081 Przeźmierowo  
Tel.: (+48-61) 650 13 00  
Fax: (+48-61) 650 13 50

**Portugal**

Bombas GRUNDFOS Portugal, S.A.  
Rua Calvet de Magalhães, 241  
Apartado 1079  
P-2770-153 Paço de Arcos  
Tel.: +351-21-440 76 00  
Fax: +351-21-440 76 90

**Romania**

GRUNDFOS Pompe România SRL  
S-PARK BUSINESS CENTER, Clădirea  
A2, etaj 2  
Str. Tipografilor, Nr. 11-15, Sector 1, Cod  
013714  
Bucuresti, Romania  
Tel.: 004 021 2004 100  
E-mail: romania@grundfos.ro

**Serbia**

Grundfos Srbija d.o.o.  
Omladinskih brigada 90b  
11070 Novi Beograd  
Tel.: +381 11 2258 740  
Fax: +381 11 2281 769  
www.rs.grundfos.com

**Singapore**

GRUNDFOS (Singapore) Pte. Ltd.  
25 Jalan Tukang  
Singapore 619264  
Tel.: +65-6681 9688  
Fax: +65-6681 9689

**Slovakia**

GRUNDFOS s.r.o.  
Prievozská 4D 821 09 BRATISLAVA  
Tel.: +421 2 5020 1426  
sk.grundfos.com

**Slovenia**

GRUNDFOS LJUBLJANA, d.o.o.  
Leskoškova 9e, 1122 Ljubljana  
Tel.: +386 (0) 1 568 06 10  
Fax: +386 (0) 1 568 06 19  
E-mail: tehnika-si@grundfos.com

**South Africa**

GRUNDFOS (PTY) LTD  
16 Lascelles Drive, Meadowbrook Estate  
1609 Germiston, Johannesburg  
Tel.: (+27) 10 248 6000  
Fax: (+27) 10 248 6002  
E-mail: lgradidge@grundfos.com

**Spain**

Bombas GRUNDFOS España S.A.  
Camino de la Fuenteclilla, s/n  
E-28110 Algete (Madrid)  
Tel.: +34-91-848 8800  
Fax: +34-91-628 0465

**Sweden**

GRUNDFOS AB  
Box 333 (Lunnagårdsgatan 6)  
431 24 Mölndal  
Tel.: +46 31 332 23 000  
Fax: +46 31 331 94 60

**Switzerland**

GRUNDFOS Pumpen AG  
Bruggacherstrasse 10  
CH-8117 Fällanden/ZH  
Tel.: +41-44-806 8111  
Fax: +41-44-806 8115

**Taiwan**

GRUNDFOS Pumps (Taiwan) Ltd.  
7 Floor, 219 Min-Chuan Road  
Taichung, Taiwan, R.O.C.  
Tel.: +886-4-2305 0868  
Fax: +886-4-2305 0878

**Thailand**

GRUNDFOS (Thailand) Ltd.  
92 Chaloeam Phrakiat Rama 9 Road  
Dokmai, Pravej, Bangkok 10250  
Tel.: +66-2-725 8999  
Fax: +66-2-725 8998

**Turkey**

GRUNDFOS POMPA San. ve Tic. Ltd. Sti.  
Gebze Organize Sanayi Bölgesi  
Ihsan dede Caddesi  
2. yol 200. Sokak No. 204  
41490 Gebze/ Kocaeli  
Tel.: +90 - 262-679 7979  
Fax: +90 - 262-679 7905  
E-mail: sats@grundfos.com

**Ukraine**

ТОВ "ГРУНДФОС УКРАЇНА"  
Бізнес Центр Європа  
Столицне шосе, 103  
м. Київ, 03131, Україна  
Tel.: (+38 044) 237 04 00  
Fax: (+38 044) 237 04 01  
E-mail: ukraine@grundfos.com

**United Arab Emirates**

GRUNDFOS Gulf Distribution  
P.O. Box 16768  
Jebel Ali Free Zone, Dubai  
Tel.: +971 4 8815 166  
Fax: +971 4 8815 136

**United Kingdom**

GRUNDFOS Pumps Ltd.  
Grovebury Road  
Leighton Buzzard/Beds. LU7 4TL  
Tel.: +44-1525-850000  
Fax: +44-1525-850011

**U.S.A.**

Global Headquarters for WU  
856 Koomey Road  
Brookshire, Texas 77423 USA  
Phone: +1-630-236-5500

**Uzbekistan**

Grundfos Tashkent, Uzbekistan  
The Representative Office of Grundfos  
Kazakhstan in Uzbekistan  
38a, Oybek street, Tashkent  
Tel.: (+998) 71 150 3290 / 71 150 3291  
Fax: (+998) 71 150 3292

93122230 12.2024

ECM: 1411842

**GRUNDFOS Holding A/S**  
Poul Due Jensens Vej 7  
DK-8850 Bjerringbro  
Tel: +45 87 50 14 00  
[www.grundfos.com](http://www.grundfos.com)

**GRUNDFOS** 