

# SE 9-30 kW

Shaft seal replacement

Service kit instructions





# SE 9-30 kW

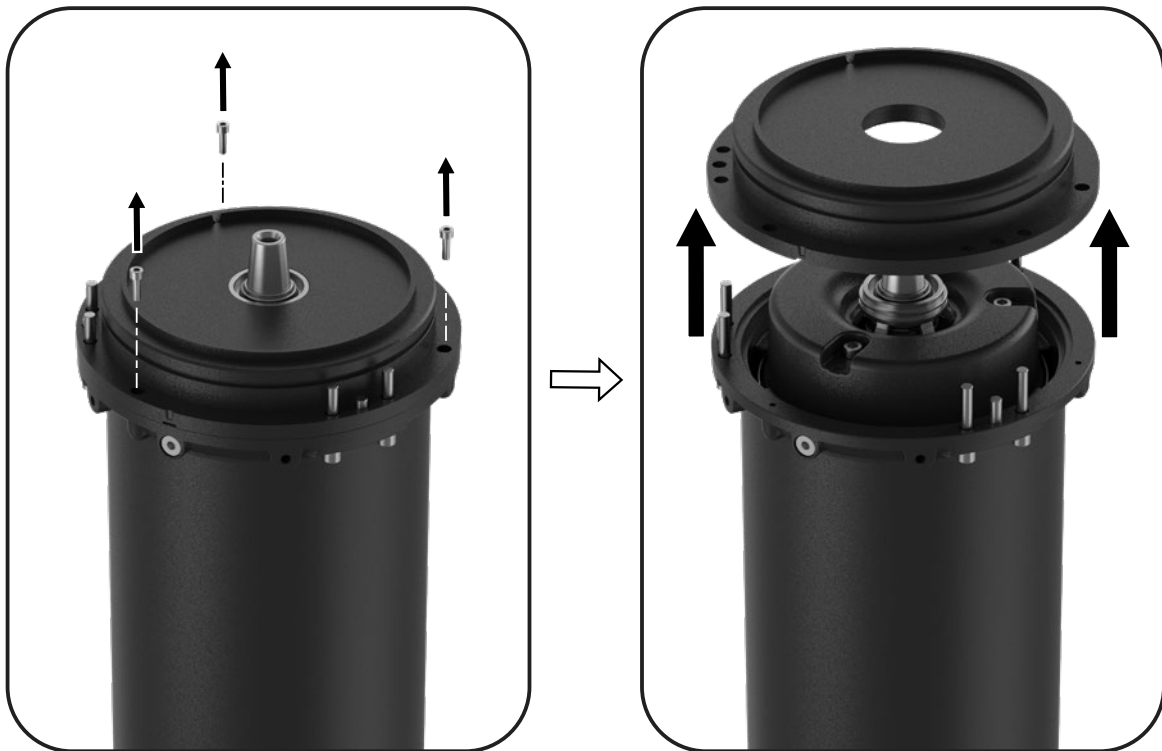
---

## English (GB)

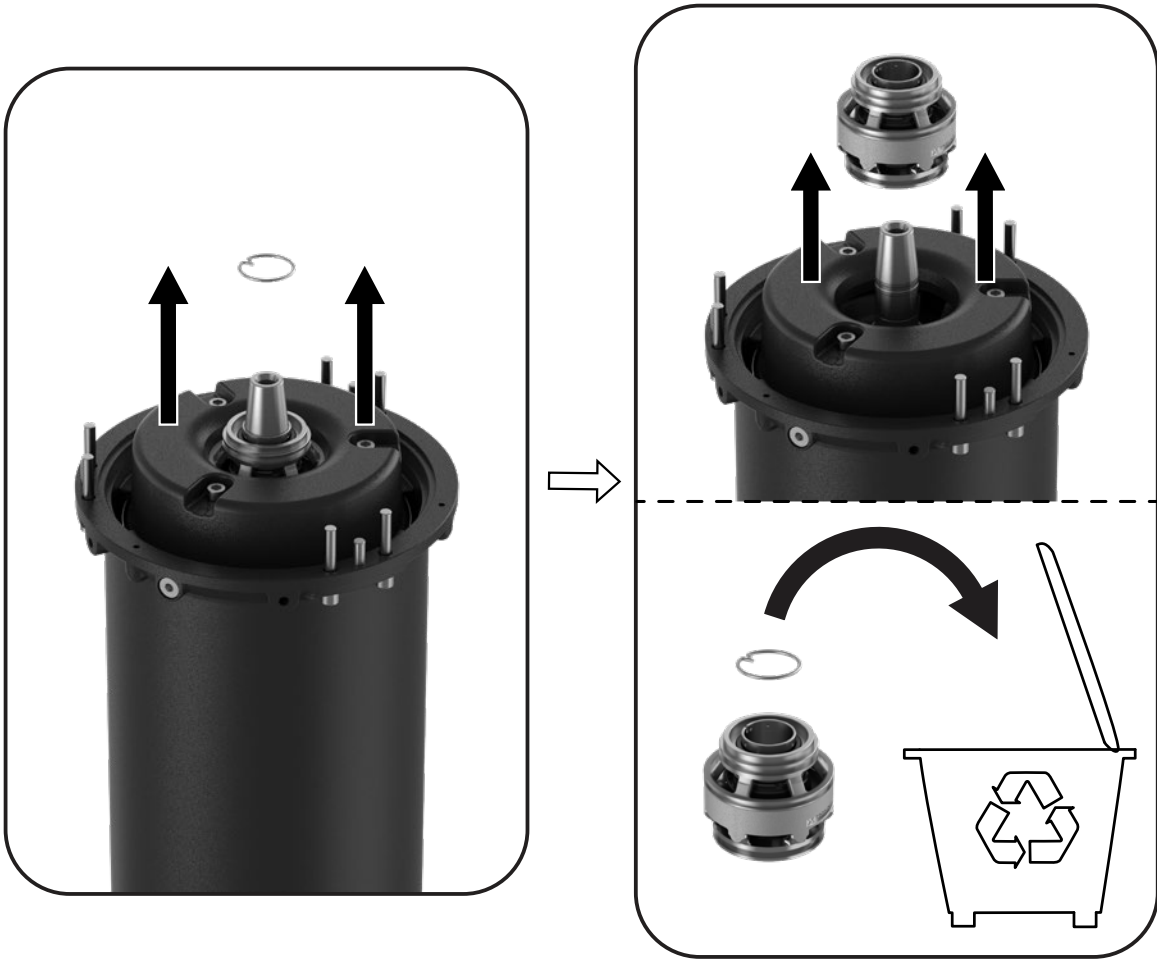
Service kit instructions . . . . .	4
------------------------------------	---

1. SE 9-30 Shaft Seal Replacement

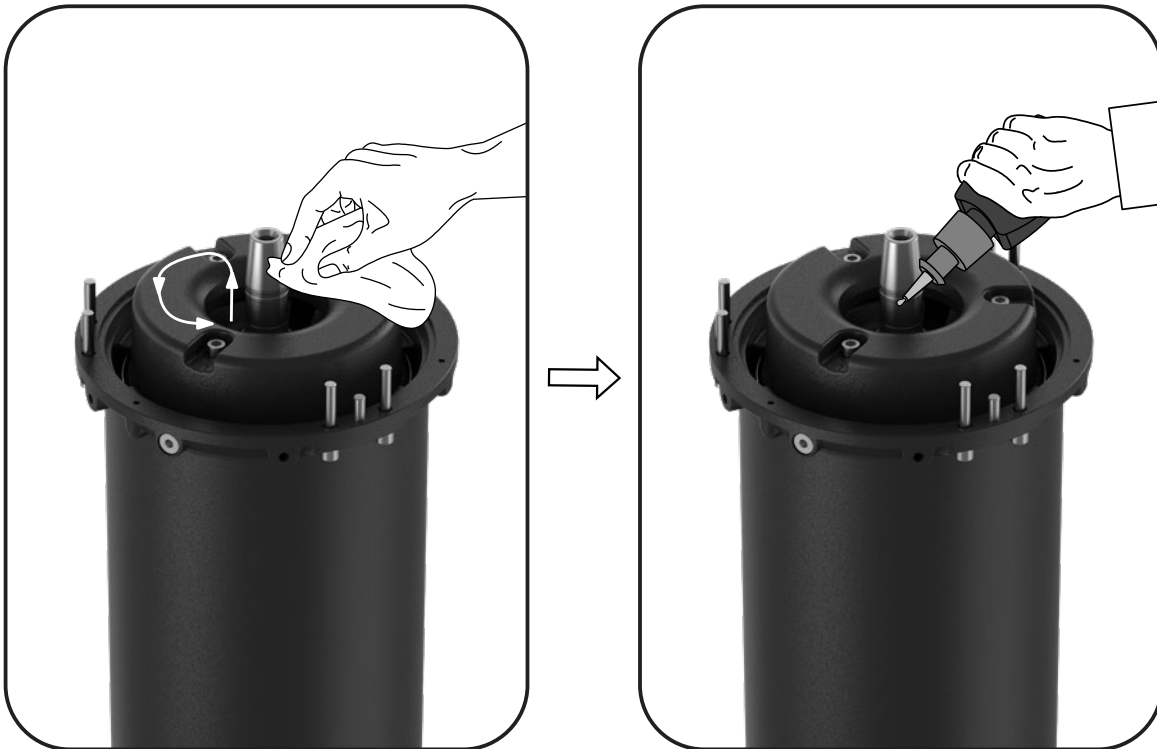
1.



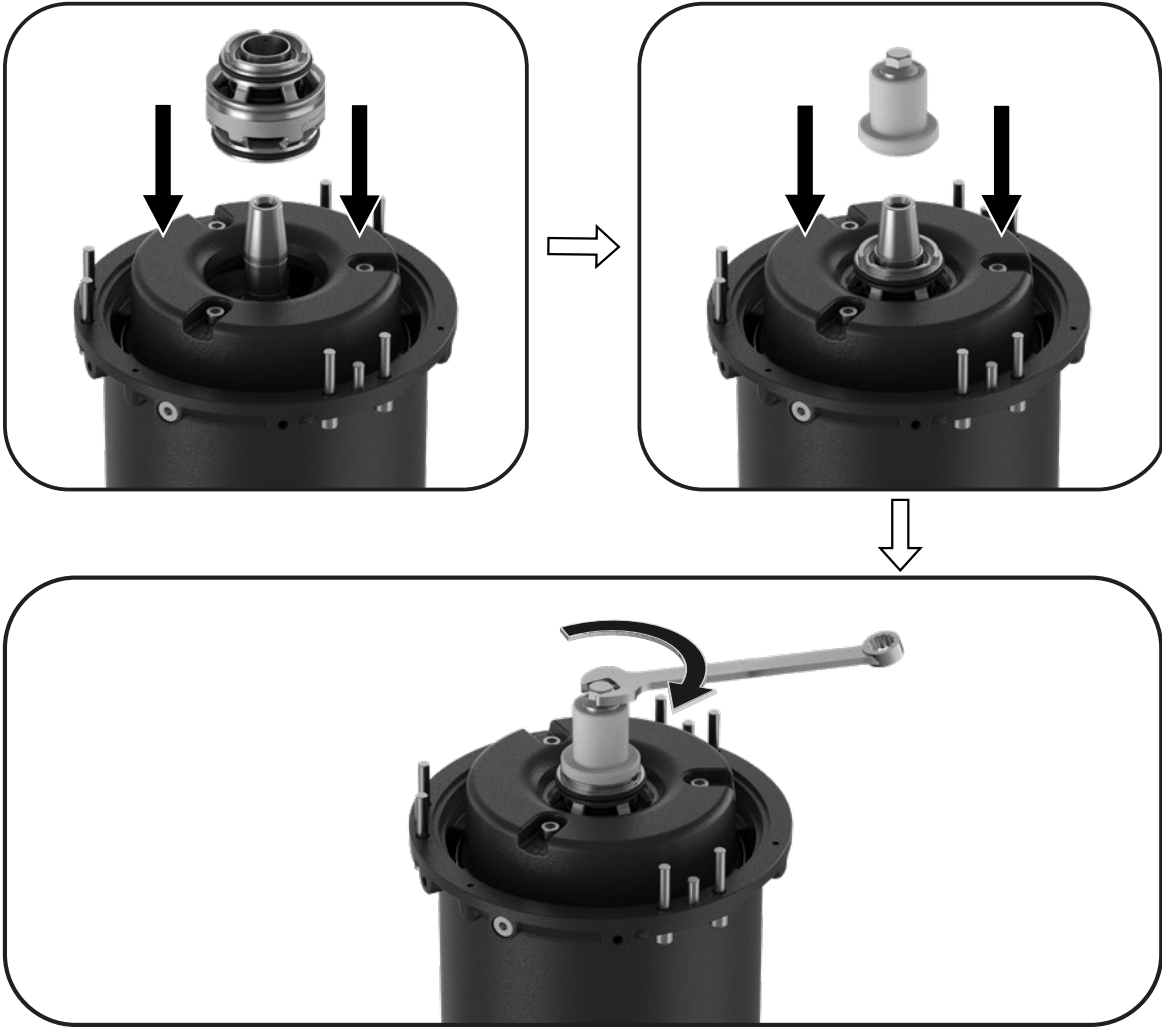
2.



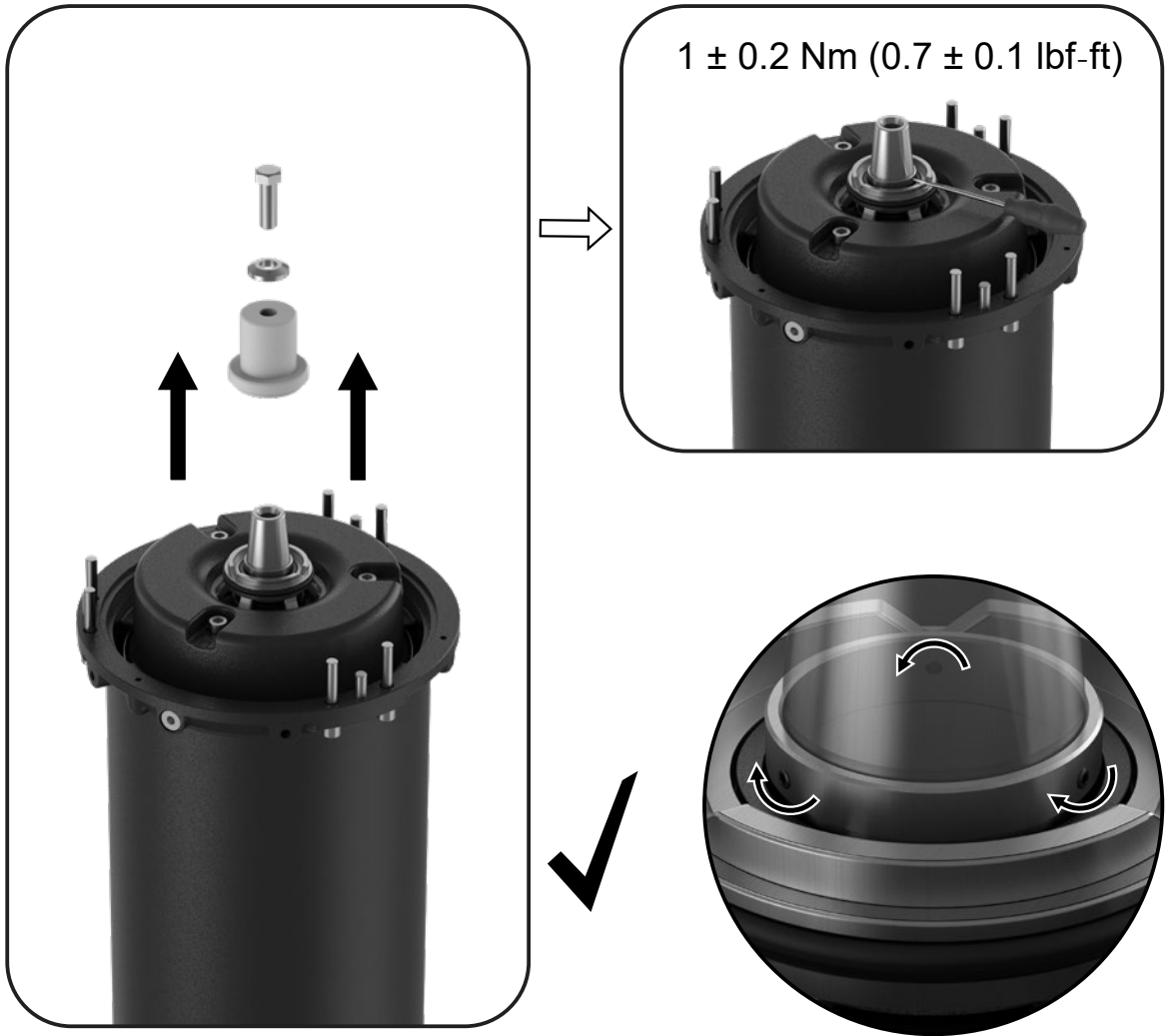
3.



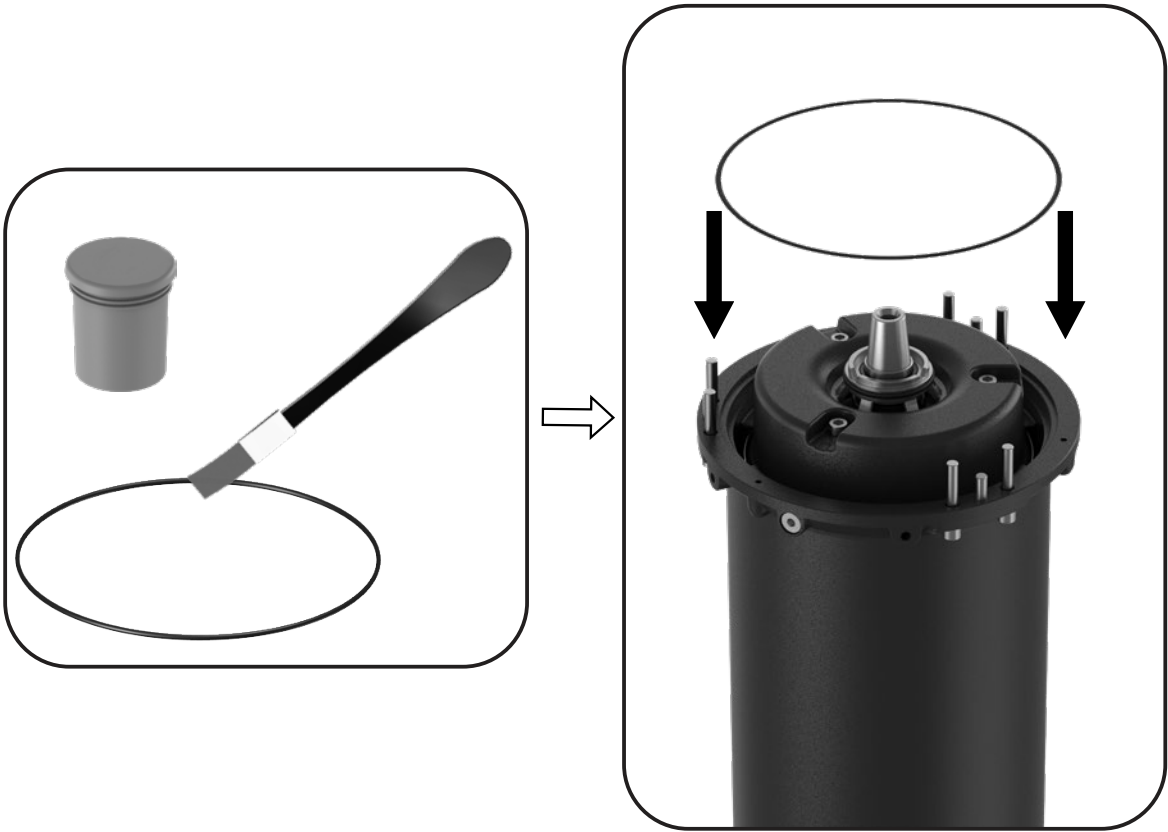
4.



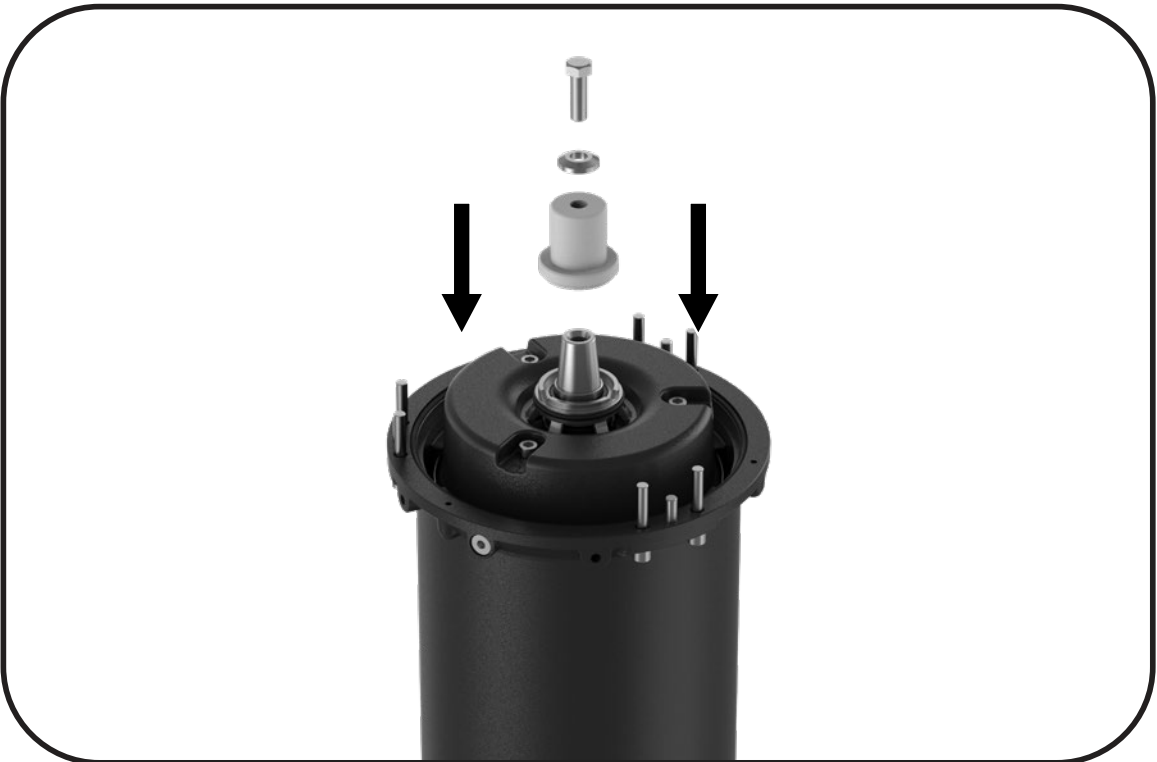
5.



6.



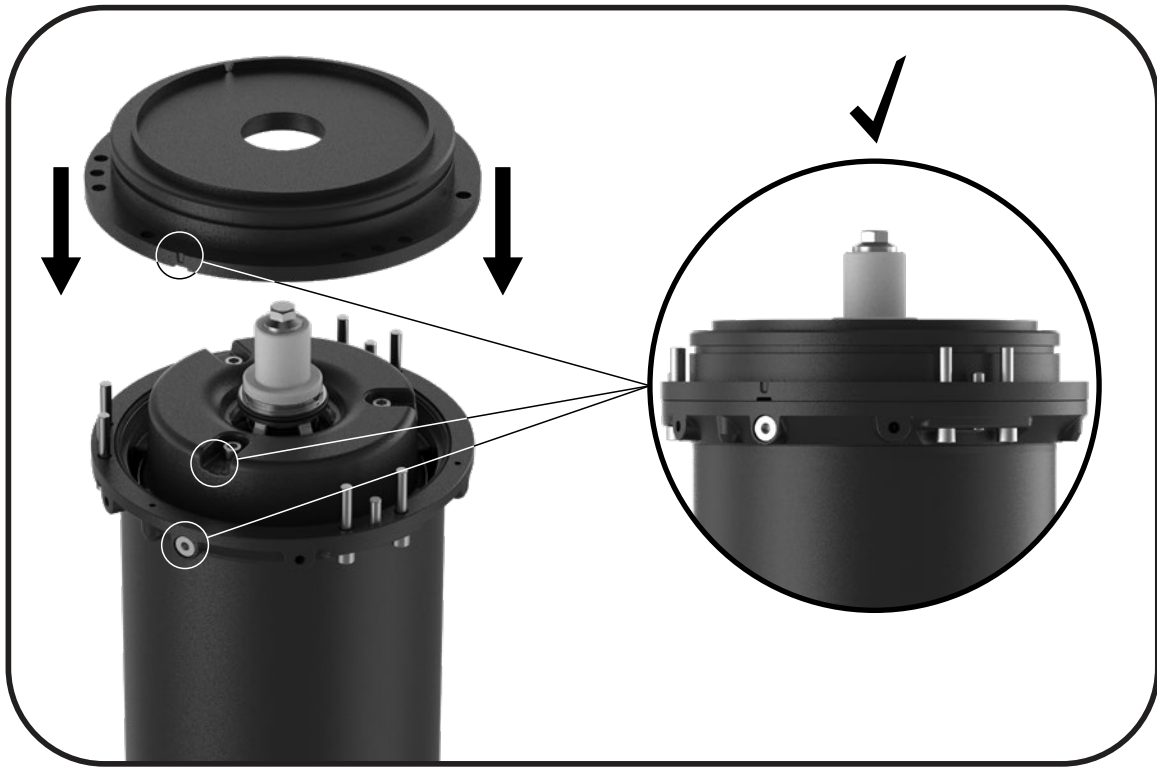
7.



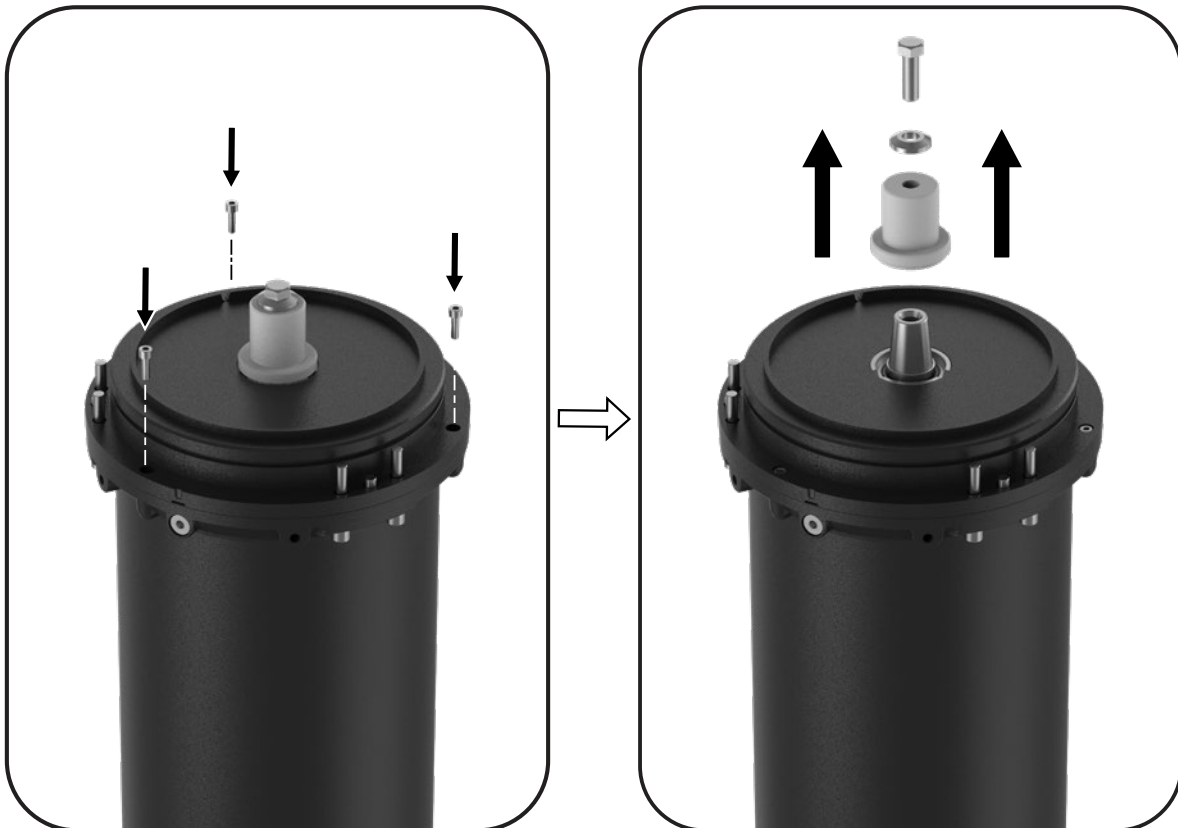
8



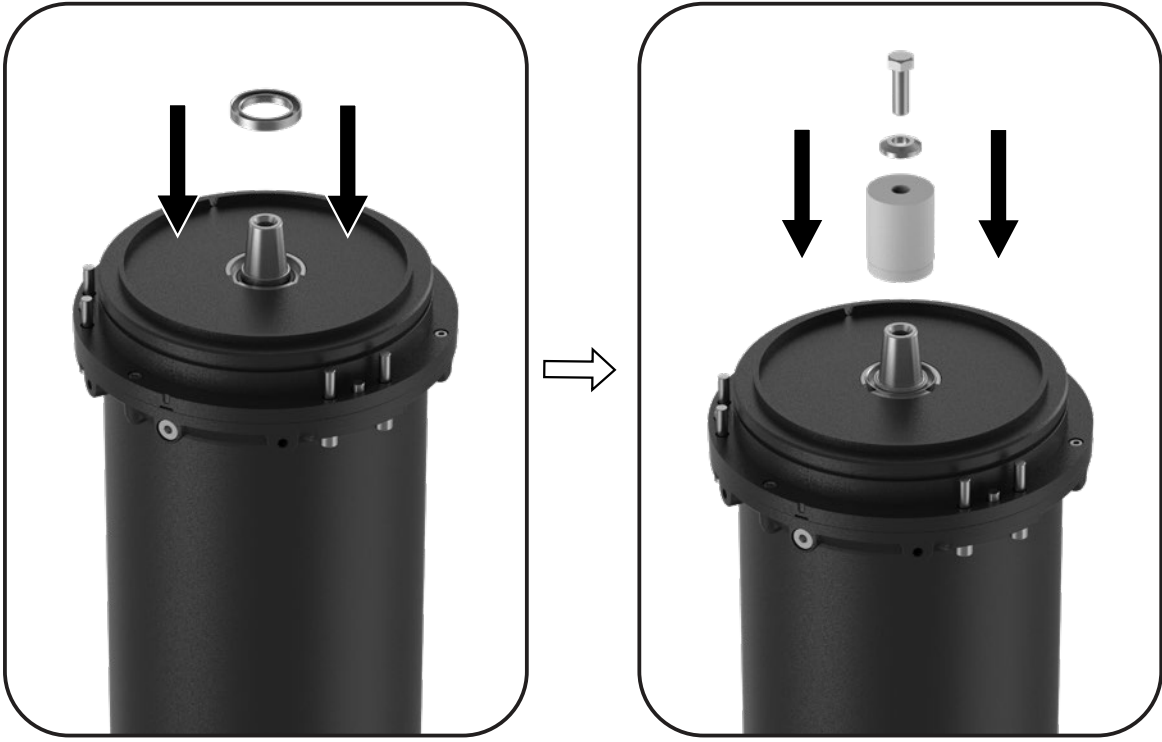
8.

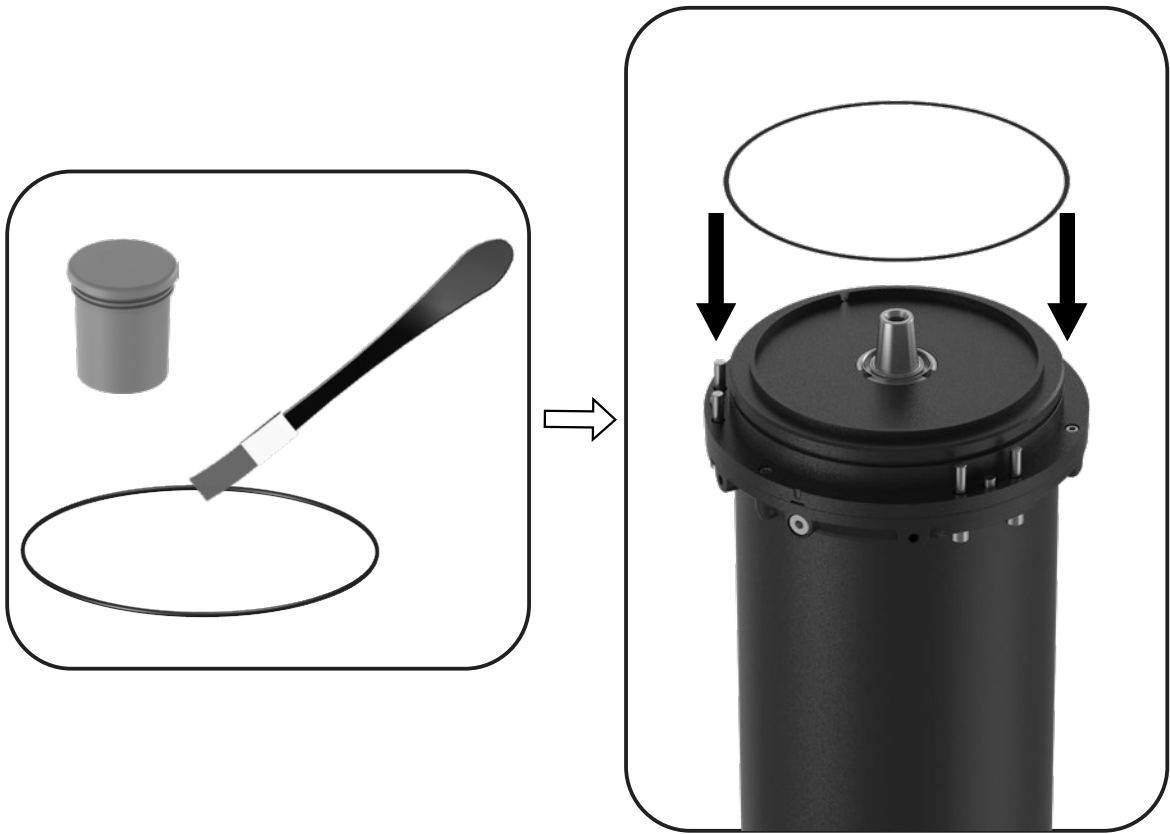


9.



10.





<b>93108355</b> 01.2024
ECM: 1385364