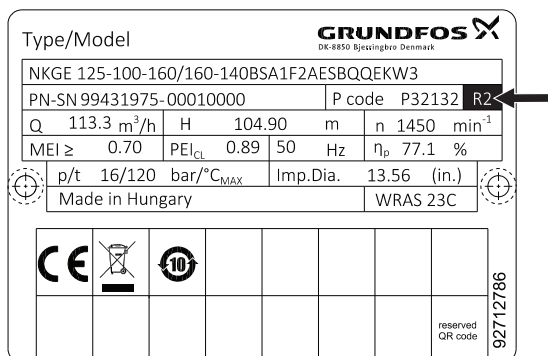


60. NK – Range 2

Where does NK – Range 2 fit in the overall picture of end-suction

The pump range can be identified via this field on the nameplate as shown below.

	Range		
	IEC motor ¹⁸¹⁾		NEMA motor ¹⁸²⁾
	1	2	6
NB(E)	X		X
NBG(E)	X		
NBS(E)			X
NK(E)	X	X	X
NKG(E)	X		



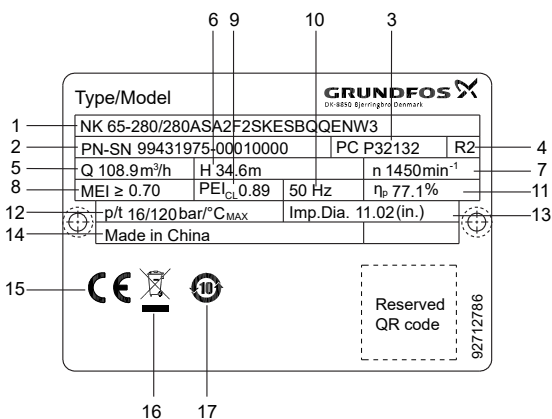
¹⁸ The motors fitted with the pumps are according to the IEC standard (International Electrotechnical Commission) for frame size, dimensions and connecting interfaces (flange and 1) shaft).

¹⁸ The motors fitted with the pumps are according to the NEMA standard (National Electrical Manufacturers Association - USA) for frame size, dimensions and connecting interfaces 2) (flange and shaft).

How to search correct service parts

To search correct service parts, the information on the pump nameplate is vital. The pump nameplate contains all data required for this.

When ordering replacement impellers, additional information like duty point and impeller trim (13) are required data.



TM1040533

Example of NK nameplate

Pos.	Description
1	Type designation
2	Identification code
	99431975 Product number
	00010000 Serial number
3	Production code - production site, year and week
4	Range identification (service range code)

These data above should be referenced whenever any replacement kit or spare is ordered.

Type key

Example 1: NK 32-180/166AAEF2S3ESBQQEGX4

Example 2: NK 150-350/328-324AAEF2TBESBQQEWX4

Example 3: NKE 65-225/242ASA2F2SKESBQQENWA

Pos.	1	2	3	4	5	6	7	8	9	10	11	12	13	14	15	16	17
Example 1	NK	32	-180	/166		A		AE	F	2	S3	E	S	BQQE	G	X	4
Example 2	NK	150	-350	/328-324		A		AE	F	2	TB	E	S	BQQE	W	X	4
Example 3	NKE	65	-225	/242		A	S	A2	F	2	SK	E	S	BQQE	N	W	A

Pos.	Explanation
1	Type range
2	Nominal diameter of outlet port (DN)
3	Nominal impeller diameter [mm]
4	Actual impeller diameter [mm]
Impeller type	
5	'blank': Closed impeller, cylindrical trim. If one dimension is shown, the impeller has a cylindrical trim, for example 166. 'blank': Closed impeller, conical trim. If two dimensions are shown, the impeller has a conical trim, for example 328-324. S: Special open impeller V: Super vortex impeller
Hydraulic version	
6	A: 1st version B: 2nd version C: 3rd version D: 4th version
Sensor/motor version	
7	'blank': Pump without sensor C: Without built-in sensor, one cable and one pressure sensor are supplied with the pump. S: Pump with built-in differential-pressure sensor, Series 2000 G: Non -E pump/ -E pump with semi-integrated VFD/CUE: Motor with Grounding ring: Non drive-end H: Non -E pump/ -E pump with semi-integrated VFD/CUE: Motor with hybrid bearing (HYB): Non drive-end I: Non -E pump/ -E pump with semi-integrated VFD/CUE: Motor with insulated bearing: Non drive-end
Code for pump version; the codes may be combined	
8	A1: Basic version, grease-lubricated standard bearing design, standard coupling A2: Basic version, grease-lubricated standard bearing design, spacer coupling B: Oversize motor (+E): With ATEX approval, certificate or test report, the second character of the pump version code is an E G1: Grease-lubricated heavy-duty bearing design, standard coupling G2: Grease-lubricated heavy-duty bearing design, spacer coupling H1: Oil-lubricated heavy-duty bearing design, standard coupling H2: Oil-lubricated heavy-duty bearing design, spacer coupling I1: Pump without motor, grease-lubricated standard bearing design, standard coupling I2: Pump without motor, grease-lubricated standard bearing design, spacer coupling J1: Pump without motor, grease-lubricated heavy-duty bearing design, standard coupling J2: Pump without motor, grease-lubricated heavy-duty bearing design, spacer coupling K1: Pump without motor, oil-lubricated heavy-duty bearing design, standard coupling K2: Pump without motor, oil-lubricated heavy-duty bearing design, spacer coupling Y1: Bare shaft + grease lub. std. bearing design W1: Bare shaft + grease lubricated H.D. bearing design X: Special version; used in case of further customisation than already listed
Pipe connection	
9	E: Table E flange F: DIN flange G: ANSI flange J: JIS flange
Flange pressure rating (PN - rated pressure)	
10	1: 10 bar 2: 16 bar 3: 25 bar 4: 40 bar 5: Other pressure rating

Pos.	Explanation																																																																																																														
	Code for materials																																																																																																														
	<table border="1"> <thead> <tr> <th>Code</th> <th>Pump housing</th> <th>Impeller</th> <th>Wear ring</th> <th>Shaft</th> </tr> </thead> <tbody> <tr> <td>S3</td> <td>EN-GJL-250</td> <td>1.4308</td> <td>No wear ring</td> <td>1.4301 + 1.0503</td> </tr> <tr> <td>S4</td> <td>EN-GJL-250</td> <td>1.4308</td> <td>No wear ring</td> <td>1.4401</td> </tr> <tr> <td>S5</td> <td>EN-GJL-250</td> <td>1.4308</td> <td>No wear ring</td> <td>1.4462</td> </tr> <tr> <td>S8</td> <td>EN-GJL-250</td> <td>1.4408</td> <td>No wear ring</td> <td>1.4401</td> </tr> <tr> <td>S9</td> <td>EN-GJL-250</td> <td>1.4408</td> <td>No wear ring</td> <td>1.4462</td> </tr> <tr> <td>SB</td> <td>EN-GJS-500-7 ductile</td> <td>1.4308</td> <td>No wear ring</td> <td>1.4301 + 1.0503</td> </tr> <tr> <td>SC</td> <td>EN-GJS-500-7 ductile</td> <td>1.4308</td> <td>No wear ring</td> <td>1.4401</td> </tr> <tr> <td>SD</td> <td>EN-GJS-500-7 ductile</td> <td>1.4308</td> <td>No wear ring</td> <td>1.4462</td> </tr> <tr> <td>11</td> <td>SG</td> <td>EN-GJS-500-7 ductile</td> <td>1.4408</td> <td>No wear ring</td> <td>1.4401</td> </tr> <tr> <td></td> <td>SH</td> <td>EN-GJS-500-7 ductile</td> <td>1.4408</td> <td>No wear ring</td> <td>1.4462</td> </tr> <tr> <td></td> <td>SI</td> <td>EN-GJS-500-7 ductile</td> <td>1.4308</td> <td>No wear ring</td> <td>1.4410</td> </tr> <tr> <td></td> <td>SJ</td> <td>EN-GJS-500-7 ductile</td> <td>1.4408</td> <td>No wear ring</td> <td>1.4410</td> </tr> <tr> <td></td> <td>SK</td> <td>EN-GJL-250</td> <td>1.4308</td> <td>No wear ring</td> <td>1.4410</td> </tr> <tr> <td></td> <td>SL</td> <td>EN-GJL-250</td> <td>1.4408</td> <td>No wear ring</td> <td>1.4410</td> </tr> <tr> <td></td> <td>T2</td> <td>EN-GJL-250</td> <td>1.4517</td> <td>No wear ring</td> <td>1.4462</td> </tr> <tr> <td></td> <td>T3</td> <td>EN-GJL-250</td> <td>1.4517</td> <td>No wear ring</td> <td>1.4410</td> </tr> <tr> <td></td> <td>TA</td> <td>EN-GJS-500-7 ductile</td> <td>1.4517</td> <td>No wear ring</td> <td>1.4462</td> </tr> <tr> <td></td> <td>TB</td> <td>EN-GJS-500-7 ductile</td> <td>1.4517</td> <td>No wear ring</td> <td>1.4410</td> </tr> <tr> <td></td> <td>X</td> <td>Special version</td> <td></td> <td></td> </tr> </tbody> </table>	Code	Pump housing	Impeller	Wear ring	Shaft	S3	EN-GJL-250	1.4308	No wear ring	1.4301 + 1.0503	S4	EN-GJL-250	1.4308	No wear ring	1.4401	S5	EN-GJL-250	1.4308	No wear ring	1.4462	S8	EN-GJL-250	1.4408	No wear ring	1.4401	S9	EN-GJL-250	1.4408	No wear ring	1.4462	SB	EN-GJS-500-7 ductile	1.4308	No wear ring	1.4301 + 1.0503	SC	EN-GJS-500-7 ductile	1.4308	No wear ring	1.4401	SD	EN-GJS-500-7 ductile	1.4308	No wear ring	1.4462	11	SG	EN-GJS-500-7 ductile	1.4408	No wear ring	1.4401		SH	EN-GJS-500-7 ductile	1.4408	No wear ring	1.4462		SI	EN-GJS-500-7 ductile	1.4308	No wear ring	1.4410		SJ	EN-GJS-500-7 ductile	1.4408	No wear ring	1.4410		SK	EN-GJL-250	1.4308	No wear ring	1.4410		SL	EN-GJL-250	1.4408	No wear ring	1.4410		T2	EN-GJL-250	1.4517	No wear ring	1.4462		T3	EN-GJL-250	1.4517	No wear ring	1.4410		TA	EN-GJS-500-7 ductile	1.4517	No wear ring	1.4462		TB	EN-GJS-500-7 ductile	1.4517	No wear ring	1.4410		X	Special version		
Code	Pump housing	Impeller	Wear ring	Shaft																																																																																																											
S3	EN-GJL-250	1.4308	No wear ring	1.4301 + 1.0503																																																																																																											
S4	EN-GJL-250	1.4308	No wear ring	1.4401																																																																																																											
S5	EN-GJL-250	1.4308	No wear ring	1.4462																																																																																																											
S8	EN-GJL-250	1.4408	No wear ring	1.4401																																																																																																											
S9	EN-GJL-250	1.4408	No wear ring	1.4462																																																																																																											
SB	EN-GJS-500-7 ductile	1.4308	No wear ring	1.4301 + 1.0503																																																																																																											
SC	EN-GJS-500-7 ductile	1.4308	No wear ring	1.4401																																																																																																											
SD	EN-GJS-500-7 ductile	1.4308	No wear ring	1.4462																																																																																																											
11	SG	EN-GJS-500-7 ductile	1.4408	No wear ring	1.4401																																																																																																										
	SH	EN-GJS-500-7 ductile	1.4408	No wear ring	1.4462																																																																																																										
	SI	EN-GJS-500-7 ductile	1.4308	No wear ring	1.4410																																																																																																										
	SJ	EN-GJS-500-7 ductile	1.4408	No wear ring	1.4410																																																																																																										
	SK	EN-GJL-250	1.4308	No wear ring	1.4410																																																																																																										
	SL	EN-GJL-250	1.4408	No wear ring	1.4410																																																																																																										
	T2	EN-GJL-250	1.4517	No wear ring	1.4462																																																																																																										
	T3	EN-GJL-250	1.4517	No wear ring	1.4410																																																																																																										
	TA	EN-GJS-500-7 ductile	1.4517	No wear ring	1.4462																																																																																																										
	TB	EN-GJS-500-7 ductile	1.4517	No wear ring	1.4410																																																																																																										
	X	Special version																																																																																																													
	Rubber parts in pump																																																																																																														
	E: EE																																																																																																														
	F: FF																																																																																																														
	G: FE																																																																																																														
	H: KE																																																																																																														
	I: KM																																																																																																														
	J: KV																																																																																																														
	K: KK																																																																																																														
	M: MN																																																																																																														
	N: ME																																																																																																														
	O: OO																																																																																																														
	V: VV																																																																																																														
12	<ul style="list-style-type: none"> The first letter indicates material of elastomer between pump housing and cover, and elastomer between cover and split cover. The second letter indicates material of elastomer between split cover and seal housing. <p>See the material description in the table below.</p> <table border="1"> <thead> <tr> <th>Code</th> <th>Material description</th> </tr> </thead> <tbody> <tr> <td>E</td> <td>EPDM</td> </tr> <tr> <td>F</td> <td>FXM (Fluoraz®)</td> </tr> <tr> <td>K</td> <td>FFKM (Kalrez®)</td> </tr> <tr> <td>M</td> <td>FEPS (PTFE-sheathed silicone O-ring)</td> </tr> <tr> <td>O</td> <td>HNBR</td> </tr> <tr> <td>V</td> <td>FKM (Viton®)</td> </tr> </tbody> </table>	Code	Material description	E	EPDM	F	FXM (Fluoraz®)	K	FFKM (Kalrez®)	M	FEPS (PTFE-sheathed silicone O-ring)	O	HNBR	V	FKM (Viton®)																																																																																																
Code	Material description																																																																																																														
E	EPDM																																																																																																														
F	FXM (Fluoraz®)																																																																																																														
K	FFKM (Kalrez®)																																																																																																														
M	FEPS (PTFE-sheathed silicone O-ring)																																																																																																														
O	HNBR																																																																																																														
V	FKM (Viton®)																																																																																																														
	Shaft seal arrangement																																																																																																														
	B: Stuffing box																																																																																																														
	C: Cartridge seal, single																																																																																																														
13	D: Cartridge seal, double																																																																																																														
	O: Back-to-back, double seal																																																																																																														
	P: Tandem, double seal																																																																																																														
	S: Single seal																																																																																																														
	Shaft seal(s) in pump																																																																																																														
	Letter or digit code for mechanical shaft seal and shaft seal rubber parts																																																																																																														
14	<ul style="list-style-type: none"> 4 letters: Single mechanical shaft seal, such as BQQE, or single cartridge seal, such as HBQV 4 digits: <ul style="list-style-type: none"> double seal solution; example 2716, where 27 is DQQV, primary seal, and 16 is BQQV, secondary seal; double cartridge seal; example 5150, where 51 is HQQU, primary seal, and 50 is HBQV, secondary seal <p>The relation between letters and digits of the shaft seals is described in Codes for shaft seals.</p>																																																																																																														

Pos.	Explanation
15	Code for rated motor power [kW]. See Codes for rated motor power.
16	Code for phase and voltage [V] or other information. See Codes for phase and voltage or other information.
17	Code for speed variant [rpm]. See Codes for speed variant.

Example 1: NK 32-180/166AAEF2S3ESBQQEGX4

shows an NK 32-180 pump with these characteristics:

- 166 mm closed impeller, cylindrical trim
- hydraulic version A
- pump without sensor
- grease-lubricated standard bearing design
- with certificate/report (with standard coupling)
- DIN flange to EN1092-2
- 16 bar flange pressure rating
- cast iron pump housing, EN-GJL-250
- stainless steel impeller, 1.4308
- no wear ring
- stainless steel shaft, 1.4301
- EPDM O-rings for pump cover and seal cover
- single shaft seal arrangement
- BQQE shaft seal
- 1.1 kW motor, no motor or US DOE Regulated Motor (CC marked motor), 4-pole, 60 Hz.

Example 2: NK

150-350/328-324AAEF2TBESBQQEWX2 shows an NK 150-350 pump with these characteristics:

- 328-324 mm closed impeller, conical trim
- hydraulic version A
- pump without sensor
- grease-lubricated standard bearing design
- with certificate/report (with standard coupling)
- DIN flange to EN1092-2
- 16 bar flange pressure rating
- ductile iron pump housing, EN-GJS-500-7
- duplex stainless steel impeller, 1.4517
- no wear ring
- super duplex stainless steel shaft, 1.4410
- EPDM O-rings for pump cover and seal cover
- single shaft seal arrangement
- BQQE shaft seal
- 90 kW motor, no motor or US DOE Regulated Motor (CC marked motor), 2-pole, 60 Hz.

Example 3: NKE 65-225/242ASA2F2SKESBQQENWA

shows an NKE 65-225 pump with these characteristics:

- 242 mm closed impeller, cylindrical trim
- hydraulic version A
- Built-in differential-pressure sensor, Series 2000
- grease-lubricated standard bearing design
- spacer coupling
- DIN flange to EN1092-2
- 16 bar flange pressure rating
- cast iron pump housing, EN-GJL-250
- stainless steel impeller, 1.4308
- no wear ring
- super duplex stainless steel shaft, 1.4410
- EPDM O-rings for pump cover and seal cover
- single shaft seal arrangement
- BQQE shaft seal
- 11 kW motor, not for sale in North American, 1450-2200 rpm.

Related information

[Letter codes for shaft seals](#)

[Codes for rated motor power](#)

[Codes for phase and voltage or other information](#)

[Codes for speed variant](#)

Codes for shaft seals

Digits	Letters	Description
12	BBQE	Single mechanical shaft seal
13	BBQV	Single mechanical shaft seal
15	BQQE	Single mechanical shaft seal
16	BQQV	Single mechanical shaft seal
19	AQAE	Single mechanical shaft seal
20	AQAV	Single mechanical shaft seal
21	AQQE	Single mechanical shaft seal
22	AQQV	Single mechanical shaft seal
23	AQQX	Single mechanical shaft seal
24	AQQK	Single mechanical shaft seal
25	DAQF	Single mechanical shaft seal
26	DQQE	Single mechanical shaft seal
27	DQQV	Single mechanical shaft seal
28	DQQX	Single mechanical shaft seal
29	DQQK	Single mechanical shaft seal
50	HBQV	Cartridge seal
51	HQQU	Cartridge seal
52	HAQK	Cartridge seal
	SNEA	Stuffing box
	SNEB	Stuffing box
	SNEC	Stuffing box
	SNED	Stuffing box
	SNOA	Stuffing box
	SNOB	Stuffing box
	SNOC	Stuffing box
	SNOD	Stuffing box
	SNFA	Stuffing box
	SNFB	Stuffing box
	SNFC	Stuffing box
	SNFD	Stuffing box

Letter codes for shaft seals

Pos. 14 in NBS type key example.

Pos. 14 in NK type key example.

Pos. 14 in NB type key example.

Pos. 14 in NK, NKE, NKG, NKGE type key example.

Pos. 14 in NB, NBE, NK, NKE type key example.

Pos. 15 in NBG, NBGE, NKG, NKGE type key example.

Pos. 15 in NB, NBG type key example.

Pos. 15 in NB, NBE, NBG, NBGE type key example.

Pos. 15 in NK, NKG type key example.

Code	Description	Explanation
B	Shaft seal type	A: O-ring seal with fixed driver B: Rubber bellows seal D: O-ring seal, balanced H: Cartridge seal, balanced
Q	Material of rotating seal face	A: Carbon, metal-impregnated with antimony which is not approved for potable water B: Carbon, resin-impregnated Q: Silicon carbide
Q	Material of stationary seal	A: Carbon, metal-impregnated with antimony which is not approved for potable water Q: Silicon carbide
E	Material of secondary seal and other rubber and composite parts, except the wear ring	E: EPDM V: FKM (Viton®) F: FXM (Fluoraz®) K: FFKM (Kalrez®) X: HNBR U: Dynamic O-rings in FFKM and static O-rings in PTFE

For a thorough description of shaft seal types and materials, see the data booklet "NB, NBG, NK, NKG, NBE, NBGE, NKE, NKGE - Custom-built pumps according to EN 733 and ISO 2858".

Codes for rated motor power

- Pos. 16 in NB, NBG type key example.
 Pos. 16 in NB, NBE, NBG, NBGE type key example.
 Pos. 16 in NK, NKG type key example.
 Pos. 16 in NBG, NBGE, NKG, NKGE type key example.
 Pos. 12 in TP, TPD type key example.
 Pos. 15 in NB, NBE, NK, NKE type key example.
 Pos. 15 in NBS type key example.
 Pos. 15 in NB type key example.
 Pos. 15 in NK type key example.
 Pos. 15 in NK, NKE, NKG, NKGE type key example.

Code	Description	
	[hp]	[kW]
A	0.16	0.12
B	0.25	0.18
C	0.33	0.25
D	0.5	0.37
E	0.75	0.55
F	1	0.75
G	1.5	1.1
H	2	1.5
I	3	2.2
J	4	3
K	5 (5.5 ¹⁶⁴)	3.7 (4 ¹⁶⁴)
L	7.5	5.5
M	10	7.5
N	15	11
O	20	15
P	25	18.5
Q	30	22
R	40	30
S	50	37
T	60	45
U	75	55
V	100	75
W	125	90
X	Bare shaft pump	
Y	> 200 ¹⁶⁵	> 150 ¹⁶⁵
1	150	110
2	175	132
3	200	150
4	215 ¹⁶⁶	160 ¹⁶⁶
5	250 ¹⁶⁶	185 ¹⁶⁶

¹⁶ Value in bracket is for the standard IEC motor size. Value outside bracket is for the
⁴ motor size according to NEMA standards.

¹⁶ Used for pumps where the pump shaft input power exceeds 200 hp (150 kW) and is
⁵ not regulated under the DOE pump rule.

¹⁶ Special cases with power sizes above 200 hp (150 kW) which are still regulated
⁶ under the DOE pump rule. For example: Pump has a P2 value of 198 hp (147.6 kW)
 in its duty point (in DOE scope) but customer wants the 215 hp (160 kW) motor
 instead of the 200 hp (150 kW). The pump is in scope of the DOE regulation and
 requires a PEI value and a motor code.

Codes for phase and voltage or other information

- Pos. 17 in NB, NBG type key example.
 Pos. 17 in NB, NBE, NBG, NBGE type key example.
 Pos. 17 in NK, NKG type key example.
 Pos. 17 in NBG, NBGE, NKG, NKGE type key example.
 Pos. 13 in TP, TPD type key example.
 Pos. 16 in NBS type key example.
 Pos. 16 in NB type key example.
 Pos. 16 in NK type key example.
 Pos. 16 in NK, NKE, NKG, NKGE type key example.
 Pos. 16 in NB, NBE, NK, NKE type key example.

Code	Description
A	E-motor (ECM ¹⁶⁷), 1 x 200-240 V
B	E-motor (ECM ¹⁶⁷), 3 x 200-240 V
C	E-motor (ECM ¹⁶⁷), 3 x 440-480 V
D	E-motor (ECM ¹⁶⁷), 3 x 380-500 V
W	Not for sale in North America
X	No motor or US DOE regulated motor (CC marked motor)
Y	Out of DOE scope
Z	E-motor, asynchronous motor

¹⁶ ECM: Electronically Commutated Motor.

⁷)

Codes for speed variant

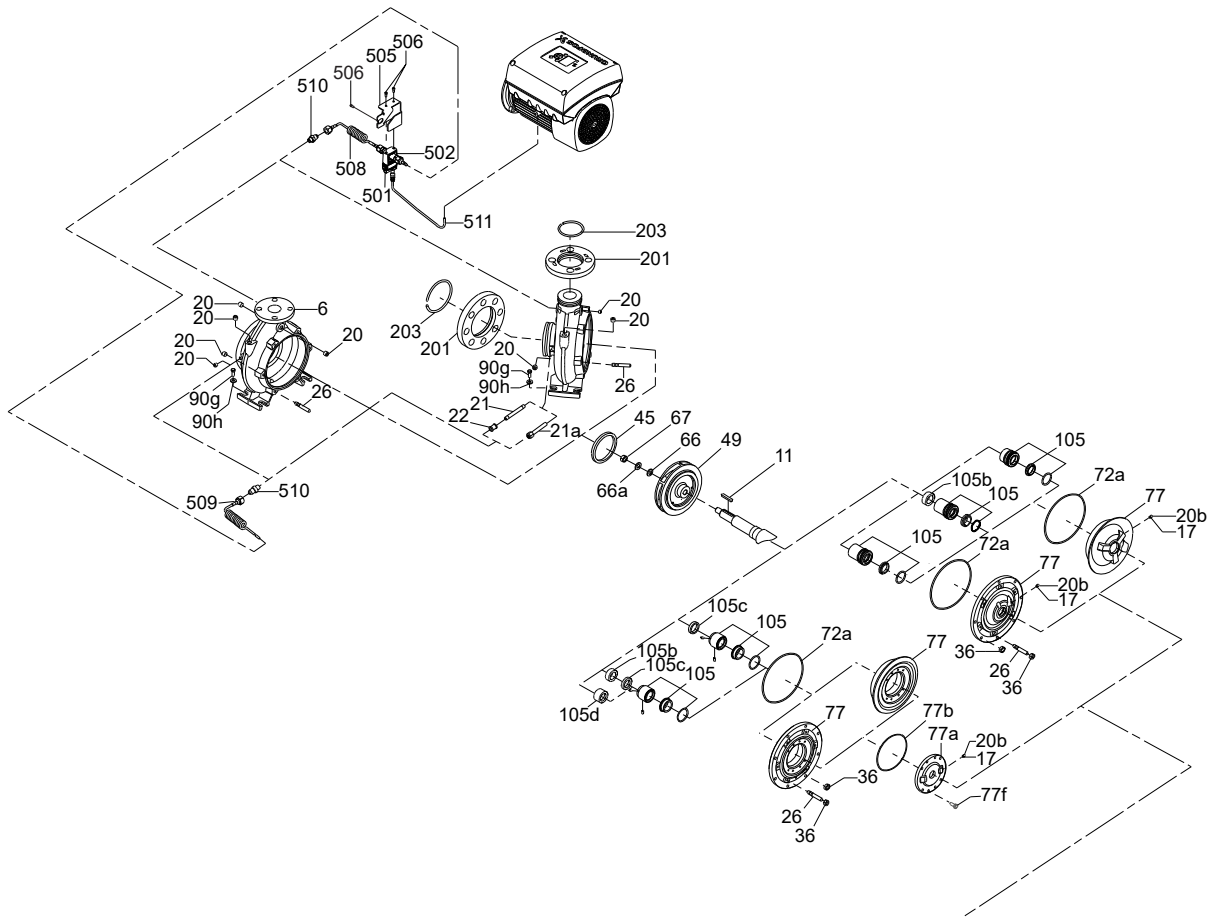
- Pos. 18 in NB, NBG type key example.
 Pos. 18 in NB, NBE, NBG, NBGE type key example.
 Pos. 18 in NK, NKG type key example.
 Pos. 18 in NBG, NBGE, NKG, NKGE type key example.
 Pos. 14 in TP, TPD type key example.
 Pos. 17 in NBS type key example.
 Pos. 17 in NB type key example.
 Pos. 17 in NK type key example.
 Pos. 17 in NK, NKE, NKG, NKGE type key example.
 Pos. 17 in NB, NBE, NK, NKE type key example.

Code	Description
A	1450-2200 RPM, E-motor (ECM ¹⁶⁸)
B	2900-4000 RPM, E-motor (ECM ¹⁶⁸)
C	4000-5900 RPM, E-motor (ECM ¹⁶⁸)
1	2-pole, 50 Hz (Asynchronous motor)
2	2-pole, 60 Hz (Asynchronous motor)
3	4-pole, 50 Hz (Asynchronous motor)
4	4-pole, 60 Hz (Asynchronous motor)
5	6-pole, 50 Hz (Asynchronous motor)
6	6-pole, 60 Hz (Asynchronous motor)
7	8-pole, 50 Hz (Asynchronous motor)
8	8-pole, 60 Hz (Asynchronous motor)

¹⁶ ECM: Electronically Commutated Motor.

⁸)

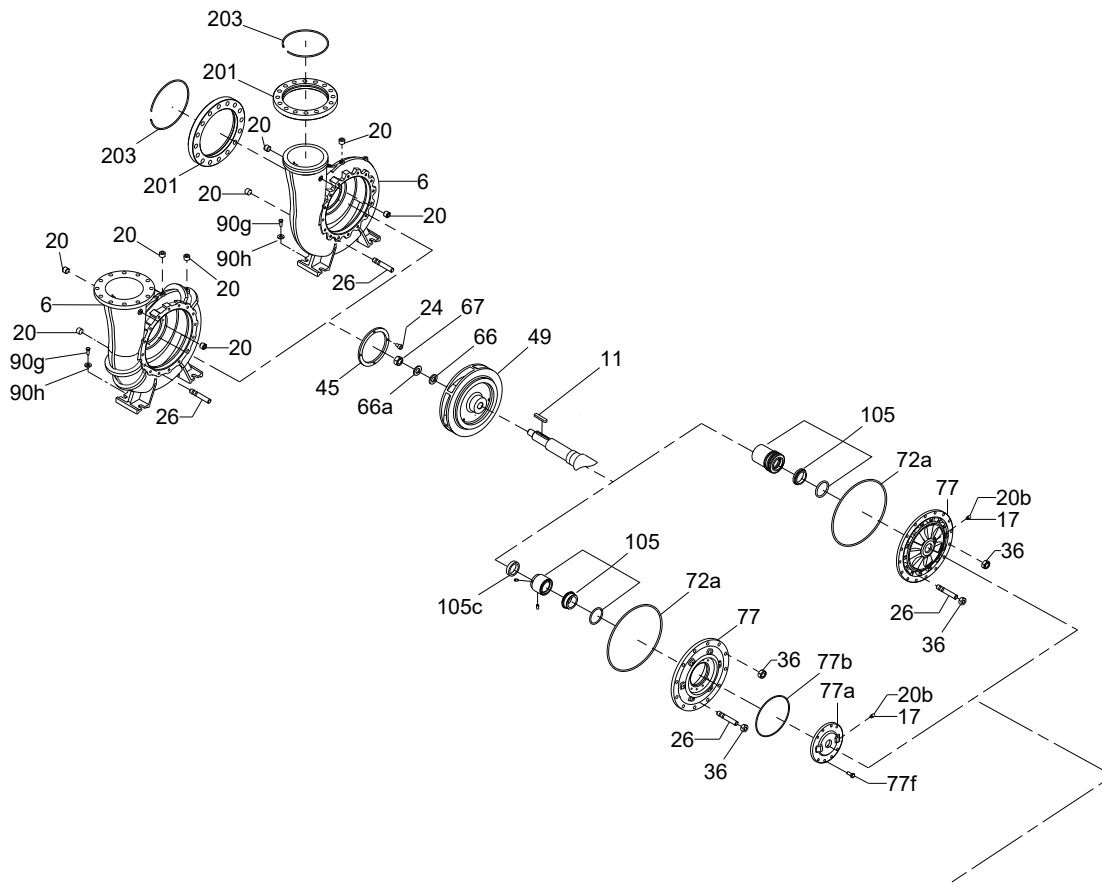
Overview of kits/spares Centre-line outlet, single seal, closed impeller



TM082100

Kit - Pump housing	Spare/bulk - O-ring for cover and seal cover
Spare/kit - Wear ring	Kit/spare - Cover
Kit - Nut, washers and key for impeller	Kit - Seal cover
Spare - Impeller	Kit - Sensor
Spare/Bulk - Shaft seal and seal spacer	Kit - Loose flange(s)

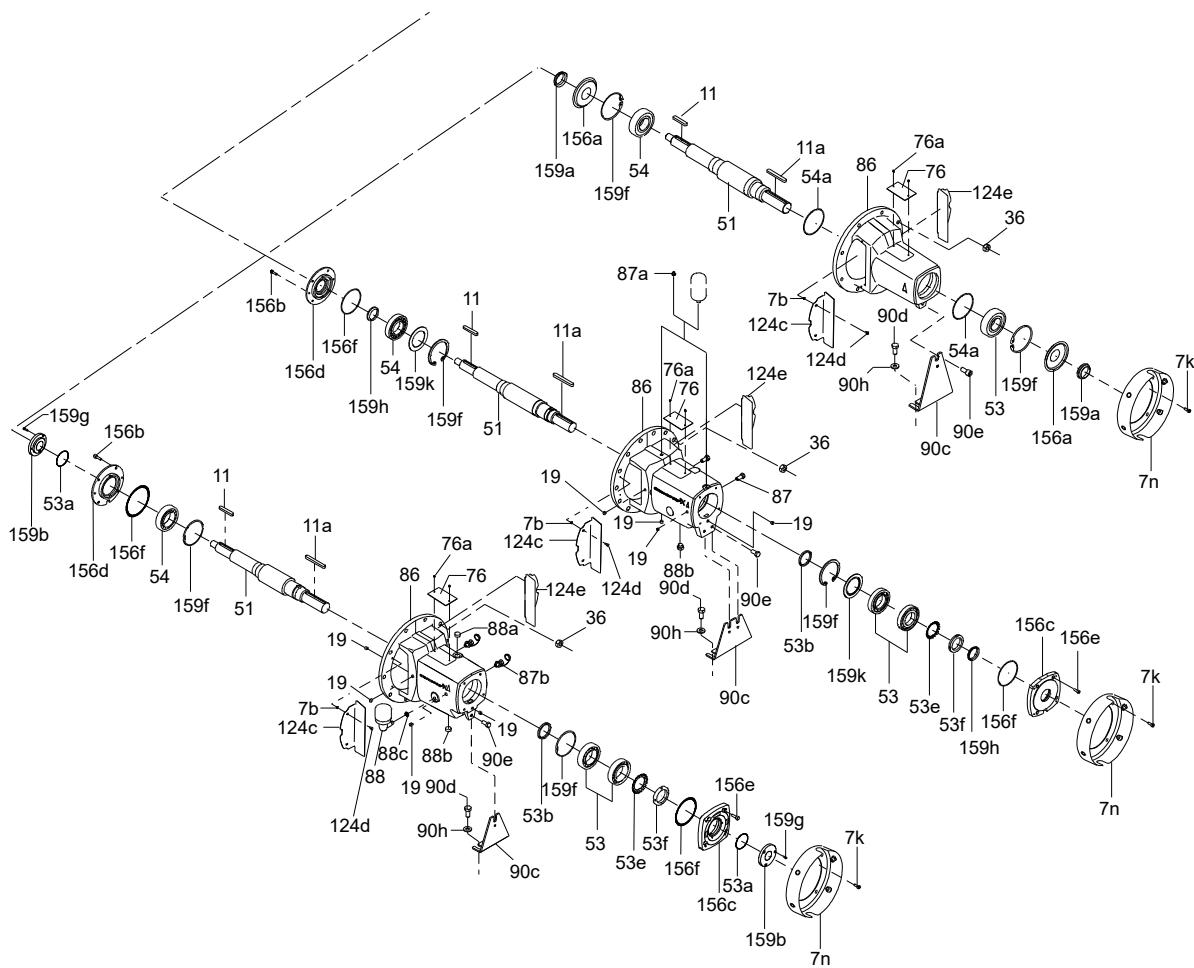
Tangential outlet, single seal, closed impeller



TM082101

Kit - pump housing	Spare/bulk - O-ring for cover and seal cover
Kit/spare - wear ring	Kit/spare - Cover
Kit - Nut, washers and key for impeller	Kit - Seal cover
Spare - Impeller	Kit - Loose flange
Spare/bulk - Shaft seal and spacer	

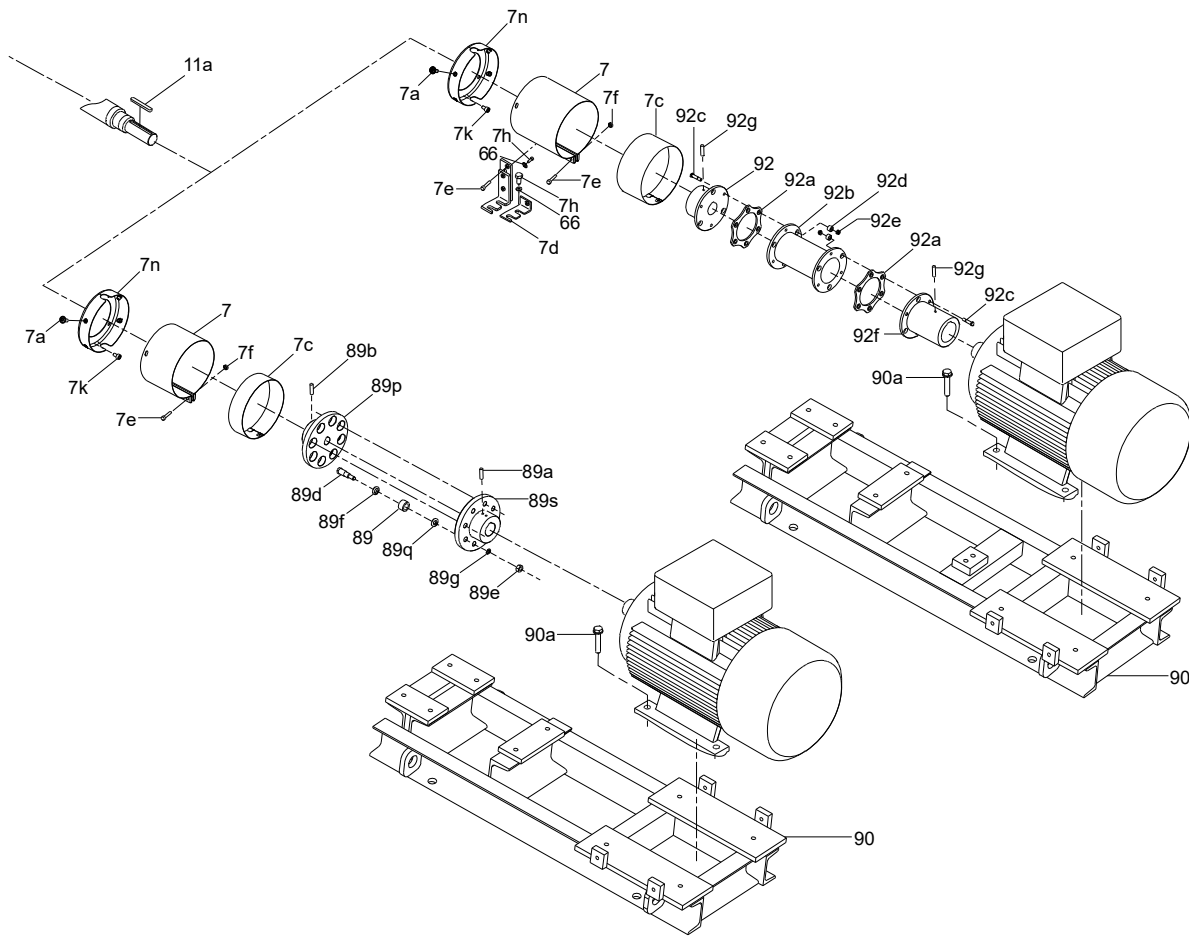
Bearing brackets



TM082102

Standard bearing bracket (greased for life)	Heavy Duty bearing bracket (re-greaseable)	Heavy Duty bearing bracket (oil-lub.)
Kit - Shaft	Kit - Shaft	Kit - Shaft
Kit - Shaft guard	Kit - Shaft guard	Kit - Shaft guard
Kit - Standard bearing bracket	Kit - HD bearing bracket, re-greaseable	Kit - HD bearing bracket, oil-lub.
Kit - Standard bearings	Kit - HD bearings, re-greaseable	Kit - HD bearings, oil-lub.
Kit - Bearing bracket foot	Kit - Bearing bracket foot	Kit - Bearing bracket foot
Kit - V-rings	Kit - Bearing cover, end	Kit - Bearing cover, end
	Kit - Bearing cover, front	Kit - Bearing cover, front
	Kit - V-rings	Kit - Labyrinth seal
		Kit - Oiler

Couplings and base frames

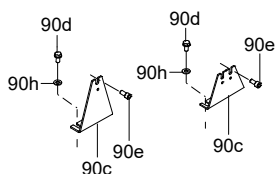


TM062103

Standard coupling	Spacer coupling
Kit - Coupling guard, standard coupling	Kit - Coupling guard, spacer coupling
Kits - Standard coupling	Kit - Foot for spacer coupling guard
Kit - Rubber, standard coupling	Kit - Pump hub, spacer coupling
Kit - Bolts, standard coupling	Kit - Motor hub, spacer coupling
Spare - Base frame, standard coupling	Kit - Flexible disc, spacer coupling
	Spare - Spacer, spacer coupling
	Kit - Bolt + sleeve + nut, spacer coupling
	Spare - Base frame, spacer coupling

Service kits and spares

Kit - Bearing bracket foot



TM1040115

Kit - Bearing bracket foot

90c: Bearing bracket foot

90d: Needed number of hex head screw(s)/bolt(s)

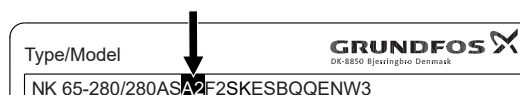
90e: Needed number of hex head screw(s)/bolt(s)

90h: Needed number of washers

Step 1: Find the pump size and note the foot code.

Pump size	Foot code	Pump size	Foot code	Pump size	Foot code
32-130.1-2P	F01	50-280-4P	F04	125-180-2P	F05
32-130.1-4P	F01	50-350	F07	125-180-4P	F05
32-130-2P	F01	65-130-2P	F03	125-225	F09
32-130-4P	F01	65-130-4P	F03	125-280	F09
32-165.1-2P	F02	65-180-2P	F03	125-350	F14
32-165.1-4P	F02	65-180-4P	F03	125-380	F15
32-180-2P	F02	65-225-2P	F08	150-225	F11
32-180-4P	F02	65-225-4P	F05	150-280	F14
32-205.1-2P	F03	65-280	F08	150-300	F14
32-205.1-4P	F03	80-180-2P	F03	150-350	F14
40-130-2P	F01	80-180-4P	F03	150-380	F18
40-130-4P	F01	80-225-2P	F08	200-300	F16
40-180-2P	F02	80-225-4P	F05	200-350	F16
40-180-4P	F02	80-280	F08	200-380	F19
40-220-2P	F04	80-350	F09	200-500	F19
40-220-4P	F04	100-180-2P	F04	250-315	F19
40-225-2P	F04	100-180-4P	F04	250-360	F20
40-225-4P	F04	100-225-2P	F07	250-380	F20
50-130-2P	F02	100-225-4P	F06	300-300	F21
50-130-4P	F02	100-280	F07	300-310	F21
50-225-2P	F10	100-350	F09	300-350	F20
50-225-4P	F04	100-380	F14	300-400	F20
50-280-2P	F10			350-350	F23

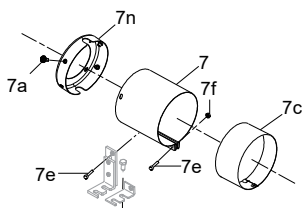
Step 2: Use the foot code and the pump version code to find the needed kit.



Pump version code

Foot code	Kit - Bearing bracket foot	
	Pump version	
	A1, A2, I1, I2, Y1	G1, G2, H1, H2, J1, J2, K1, K2, W1, Z1
F01	92728690	92728689
F02	92728692	92728691
F03	92728704	92728694
F04	92728708	92728713
F05	92728709	92728711
F06	92728710	92728712
F07	92728712	92728714
F08	92728711	92728704
F09	92728716	92728715
F10	92728713	92728693
F11	92728717	92728716
F12	92728709	92728714
F13	92728713	92728704
F14	92728718	92728716
F15	92728720	92728719
F16	92728722	92728721
F17	92728723	92728723
F18	92728725	92728725
F19	92728724	92728724
F20	92728726	92728726
F21	92647605	92647605
F23	92647606	92647605

Kit - Coupling guard, spacer coupling



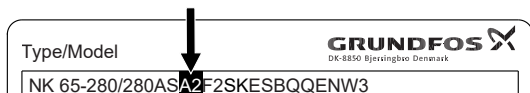
TM1040107

Kit - Coupling guard, spacer coupling

- 7: Coupling guard, spacer coupling
- 7a: Needed number of screw for retainer/outer part
- 7c: Coupling guard inner part
- 7e: Needed number of hex socket head cap screw
- 7f: Needed number of lock nut
- 7n: Retainer
- 1 x Alignment sticker
- 1 x Grundfos A-logo sticker

Step 1: Find the motor frame size. Use the Section *Motors - Relation between P2 (power), pole and frame size for different motor brands.*

Step 2: Use the pump version code, the pump size, and the motor frame size to find the coupling guard code.



Pump version code

Pump versions: A2, I2

Pump size	71M	80M	90S	90L	100L	112M-2,6	112M-4	132S	132M	160M	160L	180M	180L	200L	225S	225M	250M	280S	280M	315S	315M	315L	355M	355L	355X
32-130.1-2P		01A	01A	01A	01A	01A		01A																	
32-130.1-4P	01A	01A																							
32-130-2P		01A	01A	01A	01A	01A		01A																	
32-130-4P	01A	01A																							
32-165.1-2P			01A	01A	01A	01A		01A																	
32-165.1-4P	01A	01A																							
32-180-2P			01A	01A	01A	01A		01A		01A															
32-180-4P	01A	01A	01A																						
32-205.1-2P					01A	01A		01A		01A															
32-205.1-4P	01A	01A	01A	01A																					
40-130-2P			01A	01A	01A	01A		01A																	
40-130-4P	01A	01A	01A																						
40-180-2P				01A	01A	01A		01A		01A															
40-180-4P	01A	01A	01A	01A	01A																				
40-220-2P																									
40-220-4P		01A	01A	01A	01A		01A																		
40-225-2P																									
40-225-4P		01A	01A	01A	01A		01A	01A																	
50-130-2P					01A	01A		01A		01A															
50-130-4P	01A	01A	01A	01A																					
50-225-2P								02B		02B	02B	03B		03B		03B									
50-225-4P		01A	01A	01A	01A		01A	01A																	
50-280-2P										02B	02B	03B		03B		03B	04B	04B							
50-280-4P					01A		01A	01A	01A	01A															
50-350					02B		02B	02B	02B	02B	02B	03B													

Pump size	71M	80M	90S	90L	100L	112M-2,6	112M-4	132S	132M	160M	160L	180M	180L	200L	225S	225M	250M	280S	280M	315S	315M	315L	355M	355L	355X	
65-130-2P						01A		01A		01A	01A															
65-130-4P		01A	01A	01A	01A																					
65-180-2P					01A	01A		01A		01A	01A	03A														
65-180-4P		01A	01A	01A	01A																					
65-225-2P										02B	02B	03B		03B												
65-225-4P		01A	01A	01A	01A	01A	01A	01A	01A																	
65-280			02B	02B	02B	02B	02B	02B	02B	02B																
80-180-2P						01A		01A		01A	01A	03A		03A												
80-180-4P		01A	01A	01A	01A		01A																			
80-225-2P											02B	03B		03B		03B	04B	04B	04B							
80-225-4P		01A	01A	01A	01A	01A	01A	01A	01A	01A																
80-280			02B	02B	02B	02B	02B	02B	02B	02B	02B															
80-350					02B		02B	02B	02B	02B	02B	03B	03B	03B												
100-180-2P								01A		01A	01A	03A														
100-180-4P		01A	01A	01A	01A		01A	01A																		
100-225-2P												03B		03B		03B	04B	04B	04B							
100-225-4P		01A	01A	01A	01A	01A	01A	01A	01A	02A																
100-280			02B	02B		02B	02B	02B	02B	02B	03B	03B														
100-350				02B		02B	02B	02B	02B	02B	03B	03B	03B	04B												
100-380							03C	03C	03C		03C	03C	04C	03C	04C	04C	04C	06A								
125-180-2P								01A	01A	03A		03A		03A	04A											
125-180-4P		01A	01A	01A	01A	01A	01A	01A																		
125-225			02B	02B		02B	02B	02B	02B	03B	03B															
125-280				02B		02B	02B	02B	02B	03B	03B	03B														
125-350							03C	03C	03C	03C	03C	03C	04C	03C	04C											
125-380								03C		03C	03C	04C	03C	04C	04C	04C	06A									
150-225				02B		02B	02B	02B	02B	03B	03B	03B														
150-280						03C	03C	03C	03C	03C	03C	03C	04C	03C												
150-300							03C	03C		03C	03C	04C	03C	04C												
150-350							03C	03C	03C	03C	03C	03C	04C	03C	04C	04C	04C									
150-380											04E	04E		04E	04E	04E	04E	06C	06C	06C						
200-300										03C	03C	03C	04C	03C	04C	04C										
200-350							03C	03C	03C		03C	03C	04C	03C	04C	04C	04C	06A	06A	06A						
200-380											04E	04E		04E	04E	04E	04E	06C	06C	06C						
200-500																04E	04E	04E	06C	06C	06C	06C	06C	06C	06C	06C
250-315									04E	04E		04E	04E	04E	04E	04E	04E									
250-360										04E	04E	04E	04E	04E	04E	04E	04E	06C	06C	06C						
250-380											04E	04E	04E	04E	04E	04E	06C	06C	06C							
300-300										04E	04E	04E		04E	04E	04E	04E	06C	06C	06C						
300-310											04E	04E		04E	04E	04E	04E	06C	06C							
300-350															04E	04E	04E	04E	06C	06C	06C					
300-400																	04E	06C	06C	06C	06C	06C	06C			
350-350																04E	04E	04E	04E	06C	06C	06C				

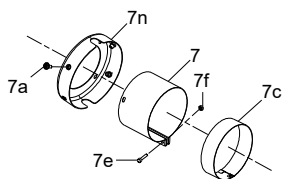
Pump versions: G2, H2, J2, K2

Pump size	71M	80M	90S	90L	100L	112M-2,6	112M-4	132S	132M	160M	160L	180M	180L	200L	225S	225M	250M	280S	280M	315S	315M	315L	355M	355L	355X
40-220-2P								02B		02B	02B	03B		03B											
40-225-2P								02B		02B	02B	03B		03B											
65-225-2P											03D	03D		03D		03D	04D								
100-180-2P										02B	02B	03B		03B											
200-350									03D	03D	03D		03D	03D	04D	03D	04D	04D	04D	04D	06B	06B	06B		
300-310													04E	04E		04E	04E	04E	04E	06C	06C	06C			
300-350																	04E	04E	06C		06C	06C	06C		
300-400																						06C	06C		06C
350-350																	04E	04E	06C	06C	06C				

Step 3: Use the coupling guard code, check the material of the coupling guard, and find the needed kit.

Coupling guard code	Coupling guard cpl.	Kit - Coupling guard for spacer coupling
		Black painted steel
01A	D125 PCD100 210/354	92780111
02A	D140 PCD100 230/344	92780112
02B	D140 PCD116 240/420	92780113
03A	D180 PCD100 290/380	92780114
03B	D180 PCD116 290/434	92780115
03C	D180 PCD146 290/520	92780116
03D	D180 PCD155 290/494	92780117
04A	D220 PCD100 360/420	92780118
04B	D220 PCD116 360/434	92780119
04C	D220 PCD146 360/520	92780130
04D	D220 PCD155 360/504	92780131
04E	D220 PCD200 360/620	92780132
06A	D350 PCD146 510/550	92780133
06B	D350 PCD155 510/550	92780134
06C	D350 PCD200 510/714	92780135

Kit - Coupling guard, standard coupling



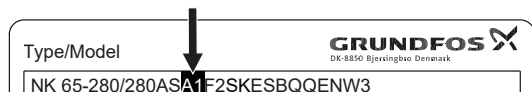
TM1040105

Kit - Coupling guard, standard coupling

- 7: Coupling guard, spacer coupling
- 7a: Needed number of screw for retainer/outer part
- 7c: Coupling guard inner part
- 7e: Needed number of hex socket head cap screw
- 7f: Needed number of lock nut
- 7n: Retainer
- 1 x Alignment sticker
- 1 x Grundfos A-logo sticker

Step 1: Find the motor frame size. Use the Section *Motors - Relation between P2 (power), pole and frame size for different motor brands*.

Step 2: Use the pump version code, the pump size, and the motor frame size to find the coupling guard code.



Pump version code

Pump versions: A1, I1

Pump size	71M	80M	90S	90L	100L	112M-2,6	112M-4	132S	132M	160M	160L	180M	180L	200L	225S	225M	250M	280S	280M	315S	315M	315L	355M	355L	355X
32-130.1-2P		A01	B01	B01	B01	C01		C02																	
32-130.1-4P	A01	A01																							
32-130-2P		A01	B01	B01	B01	C01		C02																	
32-130-4P	A01	A01																							
32-165.1-2P			B01	B01	B01	C01		C02																	
32-165.1-4P	A01	A01																							
32-180-2P			B01	B01	B01	C01		C02		C02															
32-180-4P	A01	A01	B01																						
32-205.1-2P					B01	C01		C02		C02															
32-205.1-4P	A01	A01	B01	B01																					
40-130-2P			B01	B01	B01	C01		C02																	
40-130-4P	A01	A01	B01																						
40-180-2P				B01	B01	C01		C02		C02															
40-180-4P	A01	A01	B01	B01	B01																				
40-220-2P																									
40-220-4P		A01	B01	B01	B01		C01																		
40-225-2P																									
40-225-4P		A01	B01	B01	B01		C01	C02																	
50-130-2P					B01	C01		C02		C02															
50-130-4P	A01	A01	B01	B01																					
50-225-2P								C03		C04	C04	D02		D03		D03									
50-225-4P		A01	B01	B01	B01		C01	C02																	
50-280-2P										C04	C04	D02		D03		D03	E02	E02							
50-280-4P					B01		C01	C02	C02	C02															
50-350					B03		C03	C03	C03	C04	C04	D02													
65-130-2P						C01		C02		C02	C02														

Pump size	71M	80M	90S	90L	100L	112M-2,6	112M-4	132S	132M	160M	160L	180M	180L	200L	225S	225M	250M	280S	280M	315S	315M	315L	355M	355L	355X
65-130-4P	A01	B01	B01	B01																					
65-180-2P					B01	C01		C02		C02	C02	D01													
65-180-4P	A01	B01	B01	B01																					
65-225-2P										C04	C04	D02		D03											
65-225-4P	A01	B01	B01	B01	C01	C01	C02	C02																	
65-280		B03	B03	B03	C03	C03	C03	C03	C04																
80-180-2P					C01		C02		C02	C02	D01			D01											
80-180-4P	A01	B01	B01	B01		C01																			
80-225-2P										C04	D02		D03		D03	E02	E02	E02							
80-225-4P		B01	B01	B01	C01	C01	C02	C02	C02																
80-280			B03	B03	C03	C03	C03	C03	C04	C04															
80-350					C03		C03	C03	C04	C04	D02	D02	D03												
100-180-2P							C02		C02	C02	D01														
100-180-4P	A01	B01	B01	B01		C01	C02																		
100-225-2P												D02		D03		D03	E02	E02	E02						
100-225-4P			B01	B01	C01	C01	C02	C02	C02	C02															
100-280				B03	C03		C03	C03	C04	C04	D02	D02													
100-350					C03		C03	C03	C04	C04	D02	D02	D03	E02											
100-380							C05	C05	C05		D04	D04	E03	E03	E03	F01	F01	F01							
125-180-2P							C02	C02	D01		D01			D01	E01										
125-180-4P	A01	B01	B01	B01	C01	C01	C02	C02																	
125-225				B03	C03		C03	C03	C04	C04	D02	D02													
125-280					C03		C03	C03	C04	C04	D02	D02	D03												
125-350							C05	C05	C05	D04	D04	D04	E03	E03	E03										
125-380							C05		D04	D04	E03	E03	E03	F01	F01	F01									
150-225					C03		C03	C03	C04	C04	D02	D02	D03												
150-280							C05	C05	C05	C05	D04	D04	D04	E03	E03										
150-300							C05	C05		D04	D04	E03	E03	E03											
150-350							C05	C05	C05	D04	D04	D04	E03	E03	E03	F01	F01								
150-380											D06	D06		E05	E05	F02	F02	F02	F02	F02	F02				
200-300									C05		D04	D04	E03	E03	E03	F01									
200-350							C05	C05	C05		D04	D04	E03	E03	E03	F01	F01	F01	F01	F01					
200-380											D06	D06		E05	E05	F02	F02	F02	F02	F02	F02				
200-500																E05	F02	F02	F02	F02	F02	F02	F02	F02	F05
250-315									D06	D06		D06	D06	E05	E05	E05	F02	F02							
250-360									D06		D06	D06	E05	E05	E05	F02	F02	F02	F02	F02	F02				
250-380											D06		E05	E05	F02	F02	F02	F02	F02	F02					
300-300									D06		D06	D06		E05	E05	F02	F02	F02	F02	F02	F02				
300-310										D06	D06		E05	E05	F02	F02	F02	F02							
300-350															E05	E05	F02	F02	F02	F02	F02				
300-400																				F02	F02	F02	F02	F02	F02
350-350																E05	E05	F02	F02	F02	F02				

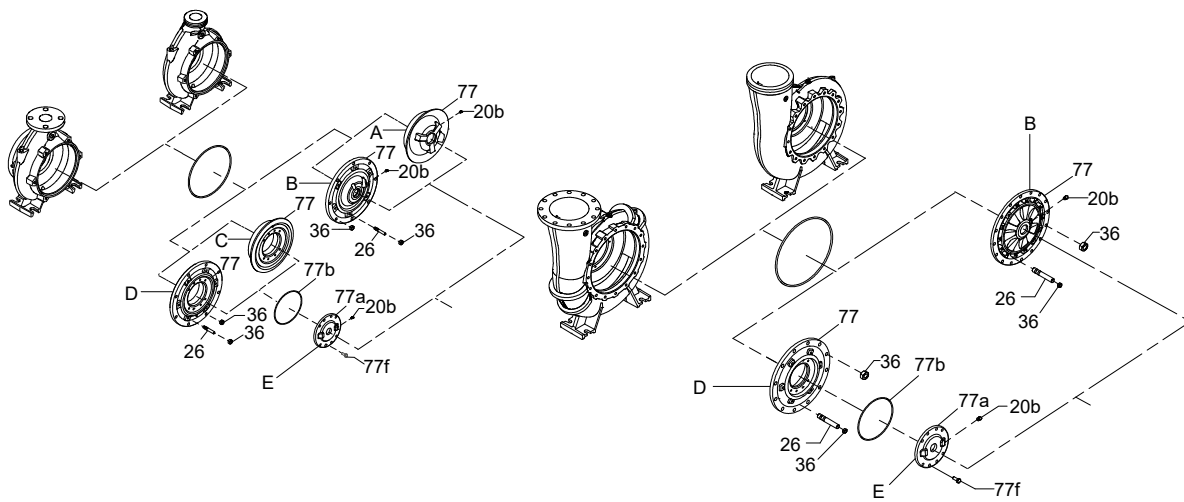
Pump versions: G1, H1, J1, K1

Pump size	71M	80M	90S	90L	100L	112M-2,6	112M-4	132S	132M	160M	160L	180M	180L	200L	225S	225M	250M	280S	280M	315S	315M	315L	355M	355L	355X	
40-220-2P								C03		C03	C03	D02		D02												
40-225-2P								C03		C03	C03	D02		D02												
65-225-2P											C06	D05		D05		D05	E04									
100-180-2P										C03	C03	D02		D02												
200-350									C06	C06	C06		D05	D05	E04	E04	E04	F04	F04	F04	F04	F04	F04			
300-310													D06	D06		E05	E05	F02	F02	F02	F02	F02				
300-350																		F02	F02	F02		F02	F02	F02		
300-400																						F02	F02		F05	
350-350																		F02	F02	F02	F02	F02				

Step 3: Use the coupling guard code, check the material of the coupling guard, and find the needed kit.

Coupling guard code	Coupling guard cpl.	Kit - Coupling guard for standard coupling
		Black painted steel
A01	D125 PCD100 94/109	92722965
A03	D125 PCD100 110/154	92722966
B01	D140 PCD100 94/134	92722967
B03	D140 PCD116 144/184	92722968
B04	D140 PCD100 110/154	92722969
B05	D140 PCD100 144/204	92722980
C01	D180 PCD100 124/139	92722981
C02	D180 PCD100 144/204	92722982
C03	D180 PCD116 144/204	92722983
C04	D180 PCD116 174/234	92722984
C05	D180 PCD146 174/264	92722985
C06	D180 PCD155 174/264	92722986
C07	D180 PCD116 174/288	92722987
C08	D180 PCD146 174/288	92722988
D01	D220 PCD100 174/234	92722989
D02	D220 PCD116 174/234	92722990
D03	D220 PCD116 220/260	92722991
D04	D220 PCD146 220/280	92722992
D05	D220 PCD155 220/280	92722993
D06	D220 PCD200 220/280	92722994
E01	D270 PCD100 220/280	92722995
E02	D270 PCD116 260/350	92722996
E03	D270 PCD146 260/320	92722997
E04	D270 PCD155 260/320	92722998
E05	D270 PCD200 260/350	92722999
E06	D270 PCD116 220/280	92723000
E07	D270 PCD146 260/404	92723001
F01	D350 PCD146 260/374	92723002
F02	D350 PCD200 260/374	92723003
F03	D350 PCD146 310/424	92723004
F04	D350 PCD155 260/374	92731219
F05	D350 PCD200 310/424	92723005

Kit/spare - Covers



TM1040102

NOTE! Wear ring for covers will not be offered.

A - Kit - Insert cover
20b: Plug (in vent hole)
77: Cover
C - Spare - Insert cover
77: Cover
B - Kit - Bolt-in cover
20b: Plug
26: Needed number of stay bolts
36: Needed number of hex nuts
77: Cover
D - Kit - Bolt-in cover
26: Needed number of stay bolts
36: Needed number of hex nuts
77: Cover
E - Kit - Seal cover
20b: Plug (in vent hole)
77a: Seal cover
77f: Needed number of hex head screws

Step 1: Find the pump size and the cover code and the seal cover code if necessary.

Pump size	Cover code	Seal cover code	Pump size	Cover code	Seal cover code
32-130.1-2P	U1	A	80-225-2P	F2	D
32-130.1-4P	U1	A	80-225-4P	C	B
32-130-2P	U1	A	80-280	H	C
32-130-4P	U1	A	80-350	M	C
32-165.1-2P	U2	B	100-180-2P	A2	B
32-165.1-4P	U1	A	100-180-4P	A2	B
32-180-2P	A1	A	100-225-2P	F2	D
32-180-4P	A1	A	100-225-4P	C	B
32-205.1-2P	V1	B	100-280	H	C
32-205.1-4P	V2	A	100-350	M	C
40-130-2P	U2	B	100-380	Q	F
40-130-4P	U1	A	125-180-2P	A2	B
40-180-2P	A2	B	125-180-4P	A2	B
40-180-4P	A1	A	125-225	D	D
40-220-2P	B	B	125-280	H	C
40-220-4P	B	B	125-350	N	F
40-225-2P	B	B	125-380	Q	F
40-225-4P	B	B	150-225	D	D
50-130-2P	U2	B	150-280	K	F
50-130-4P	U1	A	150-300	P	F
50-225-2P	E	E	150-350	P	F
50-225-4P	B	B	150-380	T	G
50-280-2P	E	E	200-300	P	F
50-280-4P	B	B	200-350	P	F
50-350	L	C	200-380	S	G
65-130-2P	U2	B	200-500	W	H
65-130-4P	U1	A	250-315	T1	G
65-180-2P	A2	B	250-360	S	G
65-180-4P	A1	A	250-380	S	G
65-225-2P	F1	E	300-300	S1	G
65-225-4P	C	B	300-310	X	G
65-280	H	C	300-350	S1	H
80-180-2P	A2	B	300-400	Y	H
80-180-4P	A1	A	350-350	Z	H

Step 2: Use the cover code and the material code to find the correct cover kit.



Material code

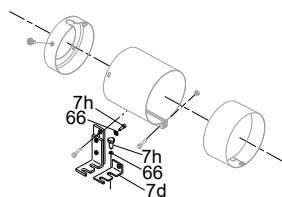
Cover code	Material code	
	S3, S4, S5, S8, S9, SK, SL, T2, T3 (Cast iron - EN-GJL-250) - PN 10/16	
	Cover, insert (Pos A)	Cover, bolt in (Pos B)
U1	92729764	-
U2	92729765	-
V1	-	92729745
V2	-	92729746
A1	92729761	-
A2	92729762	-
B	-	92729747
C	-	92729748
D	-	92729749
E	-	92729750
F1	-	92729751
F2	-	92729752
H	-	92729753
K	92729763	-
L	-	92729754
M	-	92729755
N	-	92729756
P	-	92729757
Q	-	92729758
S	-	92729759
S1	-	92729778
T	-	92729760
T1	-	92729779
W	-	92782987
X	-	92782989
Y	-	92782991
Z	-	92782993

Cover code	Material code	
	SB, SC, SD. SG, SH, SI, SJ, TA, TB (Ductile iron - EN-GJS-500-7) - PN 25	
	Cover, insert (Pos C)	Cover, bolt in (Pos D)
U1	92729015	-
U2	92729015	-
V1	-	92729766
V2	-	92729766
A1	92521769	-
A2	92521769	-
B	-	92729767
C	-	92729768
D	-	92729769
E	-	92729770
F1	-	92729771
F2	-	92729771
H	-	92729772
K	92521768	-
L	-	92729773
M	-	92729774
N	-	92729775
P	-	92729776
Q	-	92729777
S	-	92729778
S1	-	92729778
T	-	92729779
T1	-	92729779
W	-	92782987
X	-	92782989
Y	-	92782991
Z	-	92782993

Step 3: Use the seal cover code to find the correct seal cover kit.

Seal cover code	Kit, seal cover (all covers in 1.4517)
A	92729780
B	92729781
C	92729782
D	92729783
E	92729784
F	96887298
G	97536504
H	97536509

Kit - Foot for spacer coupling guard



TM1040109

Kit - Foot for spacer coupling guard

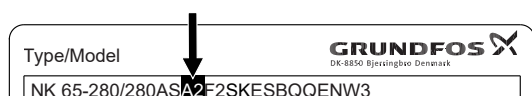
7d: Foot for coupling guard

7h: Needed number of screws

66: Needed number of washers

Step 1: Find the motor frame size. Use the Section *Motors - Relation between P2 (power), pole and frame size for different motor brands*.

Step 2: Use the pump version code, the pump size, and the motor frame size to find the foot code.



Pump version code

Pump versions: A2, I2

Pump size	71M	80M	90S	90L	100L	112M-2,6	112M-4	132S	132M	160M	160L	180M	180L	200L	225S	225M	250M	280S	280M	315S	315M	315L	355M	355L	355X
32-130.1-2P		F07	F07	F07	F07	F07		F13																	
32-130.1-4P	F07	F07																							
32-130-2P		F07	F07	F07	F07	F07		F13																	
32-130-4P	F07	F07																							
32-165.1-2P			F13	F13	F13	F13		F13																	
32-165.1-4P	F13	F13																							
32-180-2P			F13	F13	F13	F13		F13		F20															
32-180-4P	F13	F13	F13																						
32-205.1-2P					F20	F20		F20		F20															
32-205.1-4P	F20	F20	F20	F20																					
40-130-2P			F07	F07	F07	F07		F14																	
40-130-4P	F07	F07	F07																						
40-180-2P				F13	F13	F13		F13		F20															
40-180-4P	F13	F13	F13	F13	F13																				
40-220-2P																									
40-220-4P		F21	F21	F21	F21		F21																		
40-225-2P																									
40-225-4P		F21	F21	F21	F21		F21	F21																	
50-130-2P					F13	F13		F13		F20															
50-130-4P	F13	F13	F13	F13																					
50-225-2P								F20		F20	F20	F19		F21		F22									
50-225-4P		F21	F21	F21	F21		F21	F21																	
50-280-2P										F20	F20	F19		F21		F22	F22	F24							
50-280-4P					F21		F21	F21	F21	F21															
50-350					F23		F23	F23	F23	F23	F23	F23	F23	F23	F23	F23	F23	F23	F23	F23	F23	F23	F23	F23	F23
60-130-2P						F20		F20		F20	F20														
60-130-4P		F20	F20	F20	F20																				
65-180-2P					F20	F20		F20		F20	F20	F19													
65-180-4P		F20	F20	F20	F20																				
65-225-2P										F22	F22	F21		F21											
65-225-4P		F22	F22	F22	F22	F22	F22	F22	F22	F22	F22	F22	F22	F22	F22	F22	F22	F22	F22	F22	F22	F22	F22	F22	F22

Pump size	71M	80M	90S	90L	100L	112M-2,6	112M-4	132S	132M	160M	160L	180M	180L	200L	225S	225M	250M	280S	280M	315S	315M	315L	355M	355L	355X	
65-280			F22	F22	F22	F22	F22	F22	F22	F22																
80-180-2P						F20		F20		F20	F20	F19		F21												
80-180-4P		F20	F20	F20	F20		F20																			
80-225-2P											F22	F21		F21		F22	F22	F24	F24							
80-225-4P			F22	F22	F22	F22	F22	F22	F22	F22																
80-280			F22	F22	F22	F22	F22	F22	F22	F22																
80-350						F24		F24	F24	F24	F24	F24	F24	F24												
100-180-2P								F21		F21	F21	F20														
100-180-4P		F21	F21	F21	F21		F21	F21																		
100-225-2P												F22		F22		F22	F22	F24	F24							
100-225-4P				F24	F24	F24	F24	F24	F24	F24	F23															
100-280				F23	F23		F23	F23	F23	F23	F22	F22														
100-350					F24		F24	F24	F24	F24	F24	F24	F24	F24	F22											
100-380								F24	F24	F24		F24	F24	F24	F24	F24	F24	F24	F24	F24	F24	F24	F24	F24	F24	F23
125-180-2P									F22	F22	F21		F21		F22	F22										
125-180-4P		F22	F22	F22	F22	F22	F22	F22	F22																	
125-225				F24	F24		F24	F24	F24	F24	F24	F24	F24													
125-280				F24			F24	F24	F24	F24	F24	F24	F24	F24												
125-350								F24	F24	F24	F24	F24	F24	F24	F24	F24	F24									
125-380									F25	F25	F25	F25	F25	F25	F25	F25	F25	F25	F25	F25	F25	F25	F25	F25	F25	F23
150-225					F25		F25	F25	F25	F25	F24	F24	F24													
150-280							F24	F24	F24	F24	F24	F24	F24	F24	F24	F24										
150-300								F24	F24		F24	F24	F24	F24	F24	F24										
150-350								F24	F24	F24	F24	F24	F24	F24	F24	F24	F24	F24	F24	F24	F24	F24	F24	F24	F24	F24
150-380											F25	F25		F25	F25	F25	F25	F25	F25	F25	F23	F23	F23	F23	F23	F23
200-300										F26	F26	F26	F26	F26	F26	F26	F26									
200-350								F26	F26	F26		F26	F26	F26	F26	F26	F26	F26	F26	F26	F24	F24	F24			
200-380											F26	F26		F26	F26	F26	F26	F26	F26	F25	F25	F25				
200-500																F26	F26	F26	F26	F25	F25	F25	F25	F25	F25	F25
250-315									F26	F26		F26	F26	F26	F26	F26	F26	F26								
250-360									F27		F27	F27	F27	F27	F27	F27	F27	F27	F27	F27	F26	F26	F26			
250-380											F27		F27	F27	F27	F27	F27	F27	F27	F26	F26	F26				
300-300									F28		F28	F28		F28	F28	F28	F28	F28	F28	F27	F27	F27				
300-310										F28	F28			F28	F28	F28	F28	F28	F28	F27	F27					
300-350																F27	F27	F27	F27	F26	F26	F26				
300-400																				F27	F26	F26	F26	F26	F26	F26
350-350																F29	F29	F29	F29	F28	F28	F28				

Pump versions: G2, H2, J2, K2

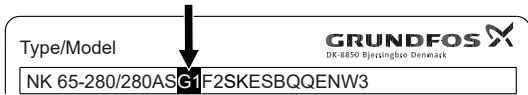
Pump size	71M	80M	90S	90L	100L	112M-2,6	112M-4	132S	132M	160M	160L	180M	180L	200L	225S	225M	250M	280S	280M	315S	315M	315L	355M	355L	355X		
40-220-2P								F20		F20	F20	F19		F21													
40-225-2P								F20		F20	F20	F19		F21													
65-225-2P											F21	F21		F21		F22	F22										
100-180-2P										F21	F21	F20		F21													
200-350										F26	F26	F26		F26	F26	F26	F26	F26	F26	F26	F24	F24	F24				
300-310													F28	F28		F28	F28	F28	F28	F28	F27	F27	F27				
300-350																		F27	F27	F26		F26	F26	F26			
300-400																							F26	F26			F26
350-350																		F29	F29	F28	F28	F28					

Step 3: Use the foot code, and find the needed kit.

Foot code	Foot cpl. for coupling guard	Kit - Foot for spacer coupling guard
F07	41-42 mm	96930803
F13	59-60 mm	96848539
F14	62-63 mm	96847089
F19	82-83 mm	96848477
F20	84-103 mm	96848478
F21	104-115 mm	96848498
F22	116-145 mm	96848499
F23	146-154 mm	96848532
F24	155-199 mm	96848500
F25	200-237 mm	96848501
F26	238-309 mm	96848533
F27	310-371 mm	95131726
F28	372-411 mm	99489229
F29	412-471 mm	92731380

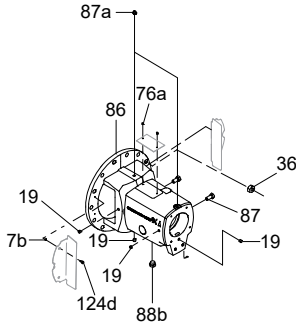
Kit - Heavy Duty bearing bracket, re-greaseable

Heavy Duty bearing bracket codes: G1, G2, J1, J2, W1



Pump version code

Bearing bracket, H.D. re-greaseable



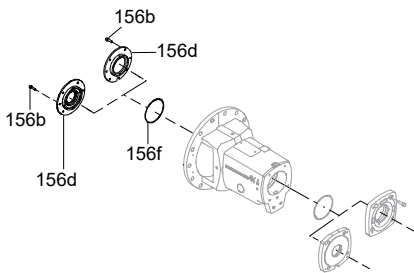
TM1040112

Kit - Bearing bracket, H.D. re-greaseable

- 7b: 4 x lock washer
- 19: 2 x Plug (for thermal measurement)
- 19: 2 x Plug (grease circuit)
- 36: Needed number of nuts
- 76a: 2 x Rivet
- 86: Bearing bracket
- 87a: 2 x Grease nipple
- 87: 2 x Hexagon socket head cap screw
- 88b: 3/8" composite plug, incl. O-ring, drain
- 124d: 4 x Screw for shaft guard
- SPM – Shock Pulse Measuring fittings can optionally be mounted in these bores



Front bearing cover, H.D. re-greaseable

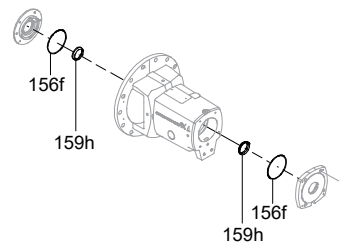


TM1040116

Kit - Front bearing cover, H.D. re-greaseable

- 156b: 4 x Hex socket head screw
- 156d: Bearing cover, front
- 156f: O-ring

V-ring, H.D. re-greaseable

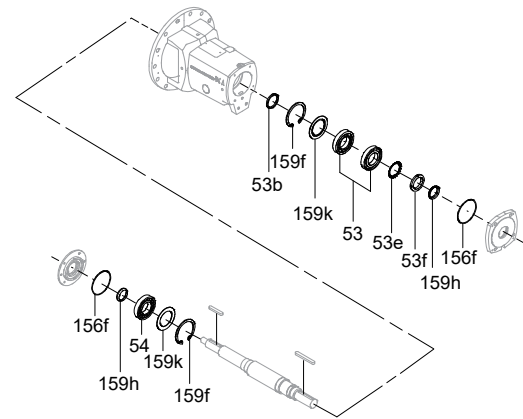


TM1040119

Kit - V-ring, H.D. re-greaseable

- 156f: 2 x O-ring
- 159h: 2 x V-ring

Bearing, H.D. re-greaseable

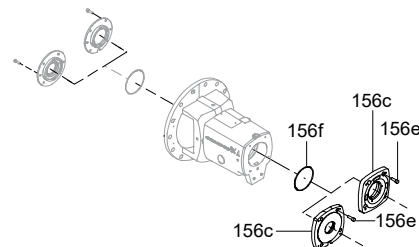


TM1040110

Kit - Bearing, H.D. re-greaseable

- 53: 2 x Angular contact bearing
- 53b: Spacer ring (depending on shaft size, including in D42, D48, D60)
- 53e: Lock washer
- 53f: Lock nut
- 54: Rolling bearing
- 156f: 2 x O-ring
- 159f: 2 x Lock ring
- 159h: 2 x V-ring
- 159k: 2 x Grease retainer ring

End bearing cover, H.D. re-greaseable

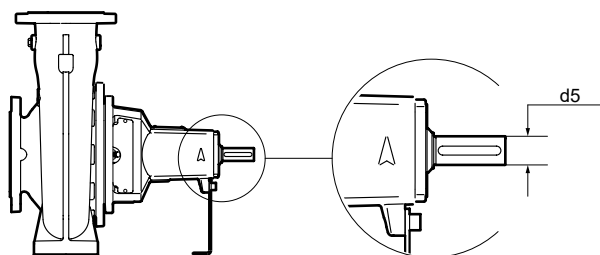


TM1040117

Kit - End bearing cover, H.D. re-greaseable

- 156c: Bearing cover, end
- 156e: 4 x Hex socket head screw
- 156f: O-ring

Step 1: Find the pump size and measure the diameter d5 of the pump end.

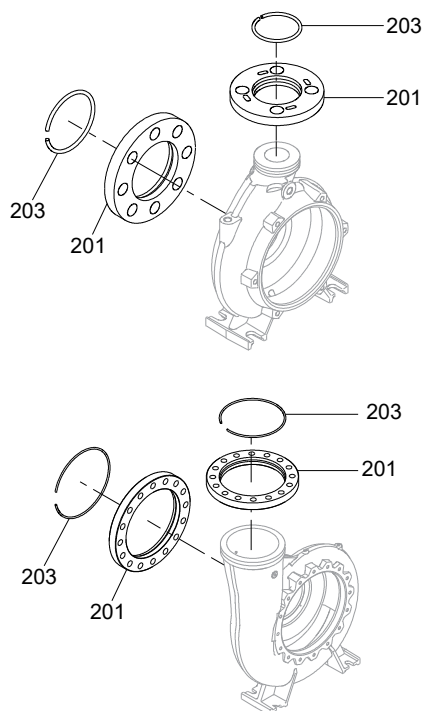


Pump size	d5	Pump size	d5	Pump size	d5
32-130.1-2P	D16A	50-280-4P	D24	125-180-4P	D24
32-130.1-4P	D16A	50-350	D32	125-225	D32S(S)
32-130-2P	D16A	65-130-2P	D24	125-280	D32
32-130-4P	D16A	65-130-4P	D16	125-350	D42
32-165.1-2P	D24	65-180-2P	D24	125-380	D42
32-165.1-4P	D16	65-180-4P	D16	150-225	D32S(S)
32-180-2P	D16	65-225-2P	D32S(S)	150-280	D42
32-180-4P	D16	65-225-4P	D24	150-300	D42
32-205.1-2P	D24	65-280	D32	150-350	D42
32-205.1-4P	D16	80-180-2P	D24	150-380	D48
40-130-2P	D24	80-180-4P	D16	200-300	D42
40-130-4P	D16	80-225-2P	D32S(S)	200-350	D42
40-180-2P	D24	80-225-4P	D24	200-380	D48
40-180-4P	D16	80-280	D32	200-500	D60
40-220-2P	D24	80-350	D32	250-315	D48
40-220-4P	D24	100-180-2P	D24	250-360	D48
40-225-2P	D24	100-180-4P	D24	250-380	D48
40-225-4P	D24	100-225-2P	D32S(S)	300-300	D48
50-130-2P	D24	100-225-4P	D24	300-310	D48
50-130-4P	D16	100-280	D32	300-350	D60
50-225-2P	D32S(S)	100-350	D32	300-400	D60
50-225-4P	D24	100-380	D42	350-350	D60
50-280-2P	D32S(S)	125-180-2P	D24		

Step 2: Use the d5 dimension to find the needed kit.

d5	Kit - Bearing bracket	Kit - Bearing	Kit - V-ring	Kit - End bearing cover	Kit - Front bearing cover
D16	-	-	-	-	-
D24	92729022	92729009	92729019	92729016	98819584
D32S(S)	92729023	92729010	92729020	92729017	98819677
D32	92837594	92729010	92729020	92729017	98819677
D42	92729024	92729012	92729021	92729018	98819874
D48	92837595	92837591	92837593	92837592	98819880
D60	92837596	92837591	92837593	92837592	98819880

Kit - Loose flange(s)



TM078770

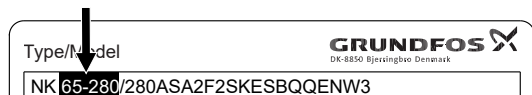
Kit - Flange for inlet

- 201: Flange
- 203: Lock ring

Kit - Flange for outlet

- 201: Flange
- 203: Lock ring

Step 1: Check with pump in the list and note inlet and outlet sizes of the flanges.



Pump size

Pump size	Flange size		
	Inlet	Outlet	Nom. Imp.
32-130	50	32	130
32-130.1	50	32	130.1
32-165.1	50	32	165.1
32-180	50	32	180
32-205.1	50	32	205.1
40-130	65	40	130
40-180	65	40	180
40-220	65	40	220
40-225	65	40	225
50-130	65	50	130
50-225	65	50	225
50-280	65	50	280
50-350	80	50	350
65-130	80	65	130
65-180	80	65	180
65-225	80	65	225
65-280	80	65	280

Pump size	Flange size		
	Inlet	Outlet	Nom. Imp.
80-180	100	80	180
80-225	100	80	225
80-280	100	80	280
80-350	100	80	350
100-180	125	100	180
100-225	125	100	225
100-280	125	100	280
100-350	125	100	350
100-380	125	100	380
125-180	150	125	180
125-225	150	125	225
125-280	150	125	280
125-350	150	125	350
125-380	150	125	380
150-225	200	150	225
150-280	200	150	280
150-300	200	150	300
150-350	200	150	350
150-380	200	150	380
200-300	250	200	300
200-350	250	200	350
200-380	250	200	380
200-500	250	200	500
250-315	300	250	315
250-360	300	250	360
250-380	300	250	380
300-300	350	300	300
300-310	350	300	310
300-350	350	300	350
300-400	350	300	400
350-350	400	350	350

Step 2: Use the Inlet/outlet flange size and the pressure rating to find the loose flange kit.



TM085589

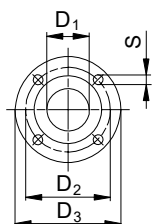
Pressure rating

1 = 10 bar (PN10)

2 = 16 bar (PN16)

3 = 25 bar (PN25)

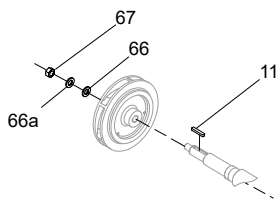
4 = 40 bar (PN40)



TM027720

Inlet/ outlet flange	Kit - Loose flange		D1 [mm]	D2 [mm]	D3 [mm]	S
	PN16	PN25				
40	-	97904822	40	110	150	4 x Φ19
50	-	97904819	50	125	165	4 x Φ19
65	-	97904830	65	145	185	8 x Φ18
80	-	97521263	80	160	200	8 x Φ19
100	-	99432755	100	190	235	8 x Φ23
125	-	97521265	125	220	270	8 x Φ28
150	97521268	-	150	240	285	8 x Φ23
150	-	97521267	150	250	300	8 x Φ28
200	97521270	-	200	295	340	12x Φ23
200	-	97739724	200	310	360	12 x Φ28
250	99248531	-	250	355	405	12 x Φ28
250	-	99248532	250	370	425	12 x Φ31

Kit/Bulk - Nut, washers and key for impeller



TM11040103

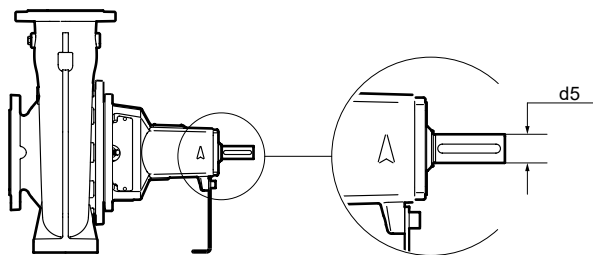
Kit - Nut, washers and key for impeller

- 11: Key
- 66: Washer
- 66a: Lock washer
- 67: Hex nut

Bulk - Nut

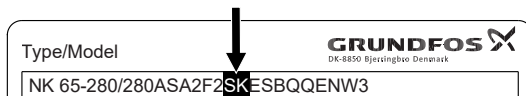
- 67: 5 x Hex nut

Step 1: Find the pump size, measure and note the diameter d5 of the pump end.



Pump size	d5	Pump size	d5	Pump size	d5
32-130.1-2P	D16	50-280-4P	D24	125-180-4P	D24
32-130.1-4P	D16	50-350	D32	125-225	D32
32-130-2P	D16	65-130-2P	D24	125-280	D32
32-130-4P	D16	65-130-4P	D16	125-350	D42
32-165.1-2P	D24	65-180-2P	D24	125-380	D42
32-165.1-4P	D16	65-180-4P	D16	150-225	D32
32-180-2P	D16	65-225-2P	D32	150-280	D42
32-180-4P	D16	65-225-4P	D24	150-300	D42
32-205.1-2P	D24	65-280	D32	150-350	D42
32-205.1-4P	D16	80-180-2P	D24	150-380	D48
40-130-2P	D24	80-180-4P	D16	200-300	D42
40-130-4P	D16	80-225-2P	D32	200-350	D42
40-180-2P	D24	80-225-4P	D24	200-380	D48
40-180-4P	D16	80-280	D32	200-500	D60
40-220-2P	D24	80-350	D32	250-315	D48
40-220-4P	D24	100-180-2P	D24	250-360	D48
40-225-2P	D24	100-180-4P	D24	250-380	D48
40-225-4P	D24	100-225-2P	D32	300-300	D48
50-130-2P	D24	100-225-4P	D24	300-310	D48
50-130-4P	D16	100-280	D32	300-350	D60
50-225-2P	D32	100-350	D32	300-400 D60	D60
50-225-4P	D24	100-380	D42	350-350	D60
50-280-2P	D32	125-180-2P	D24		

Step 2: Use the d5 diameter and the material code to find the needed kit.



Material code

Kit - Nut, washers and key

d5	Nut	Material code			
		S3, SB	S4, S8, SC, SG	S5, S9, SD, SH, T2, TA	SI, SJ, SK, SL, T3, TB
		Material			
		1.4301	1.4401	1.4462	1.4410
D16	M12	92521562	92521567	92521572	92744147
D24	M14	92521559	96939128	96939129	92744148
D32	M18	92521560	92743279	96939131	92744149
D42	M24	92521561	96939132	96939133	92744160
D48	M27	92521563	96939134	96939135	92744161
D60	M33	92738998	92738997	92738999	92744162

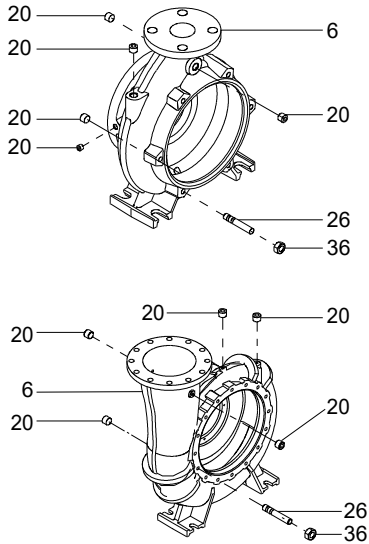
Bulk - Nut

d5	Nut	Material code			
		S3, SB	S4, S8, SC, SG	S5, S9, SD, SH, T2, TA	SI, SJ, SK, SL, T3, TB
		Material			
		1.4301	1.4401	1.4462	1.4410
D16	M12	92526533	92526536	92579695	NA
D24	M14	92526531	92514630	92514636	NA
D32	M18	92526535	92514631	92514637	NA
D42	M24	92526532	92514632	92514638	NA
D48	M27	92526534	92514633	92514639	NA
D60	M33	92729004	92514635	92514640	NA

Kit - Pump housing without wear ring

Pump housing without wear ring: The interface between the pump housing and the impeller is machined in the cast iron pump housing.

PN 10 (16) / Class 125 (150)
EN-GJL-250 / ASTM A48 class 35



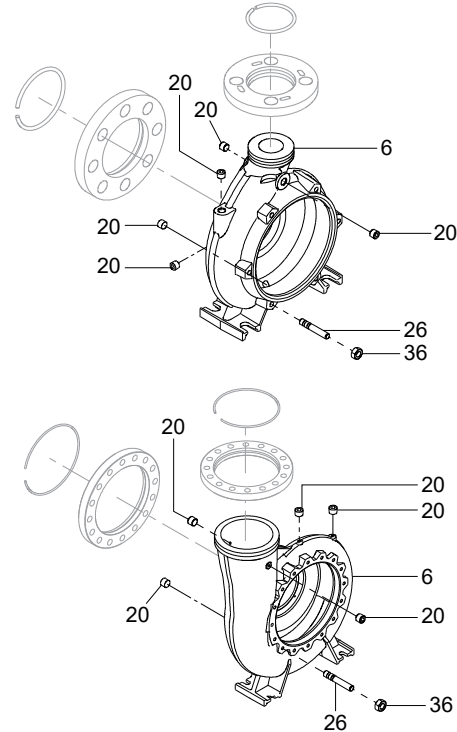
TM1040169

NOTE! Plugs (20) in the pump housing are described in section [Pump housing plugs](#).

Kit - Pump housing without wear ring, cast iron - low pressure

- 6: Pump housing
- 20: Needed number of plugs for draining, filling, sensor and shaft seal flushing
- 26: Needed number of stay bolts
- 36: Needed number of nuts that fit stay bolts

PN 25 / Class 300
EN-GJS-500-7 / ASTM 70-50-05



TM1040170

NOTE! Plugs (20) in the pump housing are described in section [Pump housing plugs](#).

Kit - Pump housing without wear ring, cast ductile iron - high pressure

- 6: Pump housing
- 20: Needed number of plugs for draining, filling, sensor and shaft seal flushing. Not for coated version.
- 26: Needed number of stay bolts
- 36: Needed number of nuts that fit stay bolts

Step 1: Find the pump size and note the pump housing code.

Pump size	Pump housing code	Pump size	Pump housing code
32-130	F2	100-350	D6
32-130.1	F1	100-380	E6
32-165.1	G	125-180	A6
32-180	A1	125-225	B7
32-205.1	H	125-280	C7
40-130	F3	125-350	D7
40-180	A2	125-380	E7
40-220	B2a	150-225	B8
40-225	B2	150-280	C8
50-130	F4	150-300	I1
50-225	B3	150-350	D8
50-280	C3	150-380	E8
50-350	D3	200-300	I2
65-130	F5	200-350	DA
65-180	A3	200-380	EB
65-225	B4	200-500	K
65-280	C4	250-315	DE
80-180	A4	250-360	DB
80-225	B5	250-380	EA
80-280	C5	300-300	I3
80-350	D5	300-310	I4
100-180	A5	300-350	DC
100-225	B6	300-400	J
100-280	C6	350-350	DD

Step 2: Use the pump housing code and the material code to find the pump housing kit.



Material code

Pump housing code	Material code		
	S3, S4, S5, S8, S9, SK, SL, T2, T3	SB, SC, SD, SG, SH, SI, SJ, TA, TB	
	(Cast iron, EN-GJL-250)	(Ductile iron EN-GJS-500-7)	
	PN 10	PN 16	PN 25
A1	92728522	92728522	92783067
A2	92728524	92728524	92783068
A3	92728537	92728537	92783070
A4	92728543	92728543	92783071
A5	92728551	92728551	92783072
A6	92728561	92728561	92783073
B2a	92728526	92728526	92783074
B2	92728528	92728528	92783075
B3	92728530	92728530	92783076
B4	92728539	92728539	92783077
B5	92728545	92728545	92783078
B6	92728553	92728553	92783079
B7	92728563	92728563	92783080
B8	92728571	92783081	92783081
C3	92728532	92728532	92783082
C4	92728541	92728541	92783083

Pump housing code	Material code		
	S3, S4, S5, S8, S9, SK, SL, T2, T3	SB, SC, SD, SG, SH, SI, SJ, TA, TB	
	(Cast iron, EN-GJL-250)	(Ductile iron EN-GJS-500-7)	
	PN 10	PN 16	PN 25
C5	92728547	92728547	92783084
C6	92728555	92728555	92783085
C7	92728565	92728565	92783086
C8	92728573	92783087	92783087
D3	92728535	92728535	92783088
D5	92728549	92728549	92783089
D6	92728557	92728557	92783100
D7	92728567	92728567	92783101
D8	92728575	92783102	92783102
E6	92728559	92728559	92783104
E7	92728569	92728569	92783105
E8	92728577	92783106	92783106
EA	92728579	92728583	92728581
EB	92783203	92783180	92783107
F1	92728597	92728597	92783108
F2	92728599	92728599	92783109
F3	92728609	92728609	92783110
F4	92728607	92728607	92783112
F5	92728605	92728605	92783113
G	92728601	92728601	92783114
H	92728603	92728603	92783115
I1	92783204	92783116	92783116
I2	92783205	92783117	92783117
I3	92783206	92783181	92783118
I4	92783207	92783182	92783119
DA	92783208	92783184	92783121
DB	92783209	92783185	92783122
DC	92783210	92783186	92783123
DD	92783211	92783187	92783124
DE	92783212	92783188	92783125
J	92783213	92783189	92783126
K	92783214	92783190	92783127

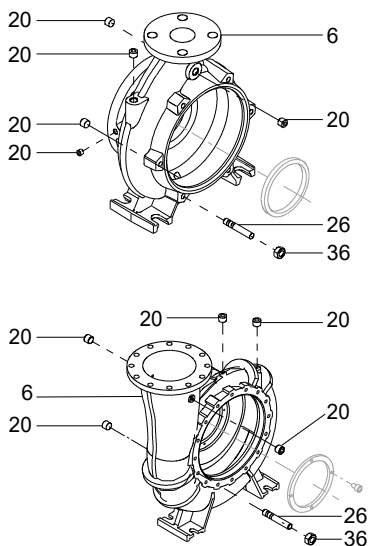


Kit - Pump housing machined for wear ring

IMPORTANT! Pump housing kits are supplied without wear rings. Wear rings need to be ordered separately.

PN 10 (16) / Class 125(150)

EN-GJL-250 / ASTM A48 class 35



TM078535

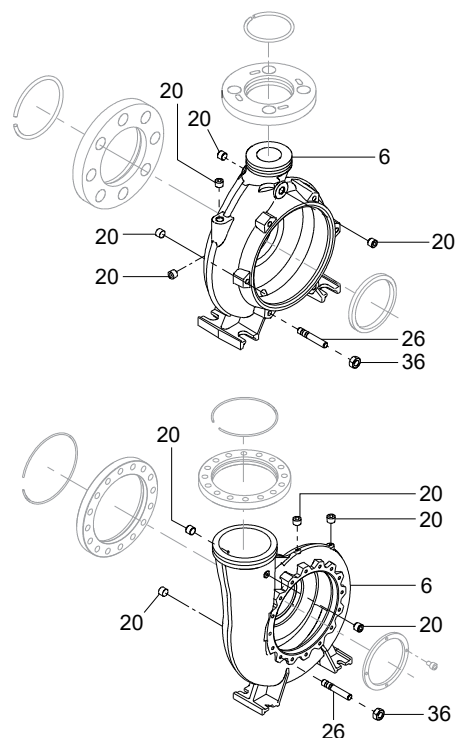
NOTE! Plugs (pos. 20) in the pump housing are described in section *Pump housing plugs*.

Kit - Pump housing machined for wear ring, cast iron - low pressure

- 6: Pump housing
- 20: Needed number of plugs for draining, filling, sensor and shaft seal flushing
- 26: Needed number of stay bolts
- 36: Needed number of nuts that fit stay bolts

PN 25 / Class 300

EN-GJS-500-7 / ASTM 70-50-05



TM078536

NOTE! Plugs (pos. 20) in the pump housing are described in section *Pump housing plugs*.

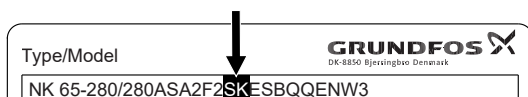
Kit - Pump housing machined for wear ring, ductile cast iron - high pressure

- 6: Pump housing
- 20: Needed number of plugs for draining, filling, sensor and shaft seal flushing
- 26: Needed number of stay bolts
- 36: Needed number of nuts that fit stay bolts

Step 1: Find the pump size and note the pump housing code.

Pump size	Pump housing code	Pump size	Pump housing code
32-130	F2	100-350	D6
32-130.1	F1	100-380	E6
32-165.1	G	125-180	A6
32-180	A1	125-225	B7
32-205.1	H	125-280	C7
40-130	F3	125-350	D7
40-180	A2	125-380	E7
40-220	B2a	150-225	B8
40-225	B2	150-280	C8
50-130	F4	150-300	I1
50-225	B3	150-350	D8
50-280	C3	150-380	E8
50-350	D3	200-300	I2
65-130	F5	200-350	DA
65-180	A3	200-380	EB
65-225	B4	200-500	K
65-280	C4	250-315	DE
80-180	A4	250-360	DB
80-225	B5	250-380	EA
80-280	C5	300-300	I3
80-350	D5	300-310	I4
100-180	A5	300-350	DC
100-225	B6	300-400	J
100-280	C6	350-350	DD

Step 2: Use the pump housing code and the material code to find pump housing kit.

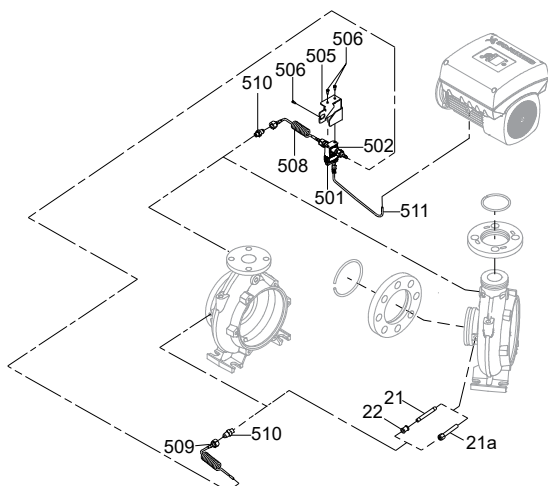


Material code

Pump housing code	Material code		
	S3, S4, S5, S8, S9, SK, SL, T2, T3		
	(Cast iron, EN-GJL-250)		(Ductile iron EN-GJS-500-7)
	PN 10	PN 16	PN 25
A1	92728521	92728521	92783129
A2	92728523	92728523	92783130
A3	92728536	92728536	92783131
A4	92728542	92728542	92783132
A5	92728550	92728550	92783133
A6	92728560	92728560	92783134
B2a	92728525	92728525	92783135
B2	92728527	92728527	92783136
B3	92728529	92728529	92783137
B4	92728538	92728538	92783138
B5	92728544	92728544	92783139
B6	92728552	92728552	92783140
B7	92728562	92728562	92783141
B8	92728570	92783142	92783142
C3	92728531	92728531	92783143
C4	92728540	92728540	92783144

Pump housing code	Material code		
	S3, S4, S5, S8, S9, SK, SL, T2, T3		SB, SC, SD, SG, SH, SI, SJ, TA, TB
	(Cast iron, EN-GJL-250)		(Ductile iron EN-GJS-500-7)
	PN 10	PN 16	PN 25
C5	92728546	92728546	92783145
C6	92728554	92728554	92783146
C7	92728564	92728564	92783147
C8	92728572	92783149	92783149
D3	92728533	92728533	92783150
D5	92728548	92728548	92783151
D6	92728556	92728556	92783152
D7	92728566	92728566	92783153
D8	92728574	92783154	92783154
E6	92728558	92728558	92783155
E7	92728568	92728568	92783156
E8	92728576	92728576	92783157
EA	92728578	92728582	92728580
EB	92783215	92783192	92783158
F1	92728596	92728596	92783159
F2	92728598	92728598	92783160
F3	92728608	92728608	92783161
F4	92728606	92728606	92783162
F5	92728604	92728604	92783163
G	92728600	92728600	92783164
H	92728602	92728602	92783165
I1	92783216	92783166	92783166
I2	92783217	92783167	92783167
I3	92783218	92783193	92783169
I4	92783219	92783194	92783170
DA	92783220	92783196	92783173
DB	92783221	92783197	92783174
DC	92783222	92783198	92783175
DD	92783223	92783199	92783176
DE	92783224	92783200	92783177
J	92783225	92783201	92783178
K	92783226	92783202	92783179

Kit/spare - Sensor for NKE Series 2000



TM1040122

NOTE! For all NK, NKE - R2 pump housings, the bores pos. 1+2+3+4+ (6 or 7) are drilled and plugged.

For more information, see section [Pump housing plugs](#).

Order the standard NK pump housing when a replacement is needed for NKE Series 2000.

Kit - Differential-pressure sensor

501: Sensor (incl. fittings to capillary tubes, sensor clip, sensor housing)

506: Screw

511: Cable (including connector to sensor)

Spare - Bracket for sensor

505: Sensor bracket

Kit - Capillary tube

508 + 509: 2 x Capillary tube

510: 2 x Adapter plug

Spare, cable

511: Cable (including connector to sensor)

Kit - Extension pipe to connect capillary tube to inlet – loose flange

21a: Connector pipe (PN 25)

Kit - Differential-pressure sensor

0-4 bar	0-6 bar	0-10 bar
99562724	99562725	99562726

Spare - Bracket for sensor

99562727

Kit - Capillary tube

99582282

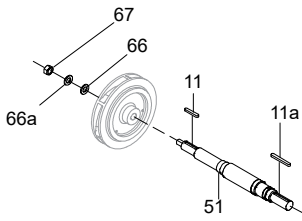
Spare - Cable

99562728

Kit - Pipe capillary tube connection

92837597

Kit - Shaft

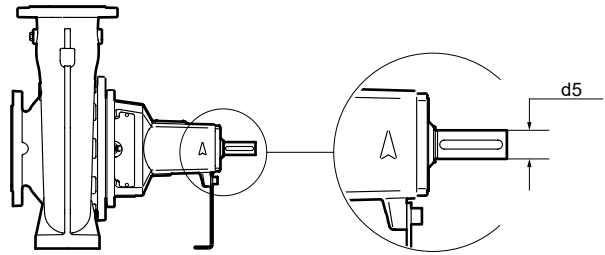


TM1040104

Kit - Shaft

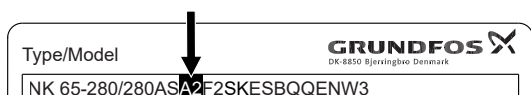
- 11 and 11a: Key, part of complete shaft
- 51: Shaft
- 66: Washer
- 66a: Lock washer
- 67: Nut for impeller

Step 1: Find the pump size, measure and note the diameter d5 of the pump end.

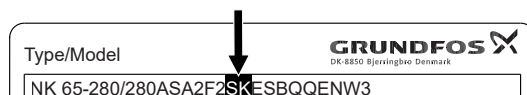


Pump size	d5	Pump size	d5	Pump size	d5
32-130.1-2P	D16	50-280-4P	D24	130-180-4P	D24
32-130.1-4P	D16	50-350	D32	130-225	D32S
32-130-2P	D16	65-130-2P	D24	130-280	D32
32-130-4P	D16	65-130-4P	D16	130-350	D42
32-165.1-2P	D24	65-180-2P	D24	130-380	D42
32-165.1-4P	D16	65-180-4P	D16	150-225	D32S
32-180-2P	D16	65-225-2P	D32SS	150-280	D42
32-180-4P	D16	65-225-4P	D24	150-300	D42
32-205.1-2P	D24	65-280	D32	150-350	D42
32-205.1-4P	D16	80-180-2P	D24	150-380	D48
40-130-2P	D24	80-180-4P	D16	200-300	D42
40-130-4P	D16	80-225-2P	D32S	200-350	D42
40-180-2P	D24	80-225-4P	D24	200-380	D48
40-180-4P	D16	80-280	D32	200-500	D60
40-220-2P	D24	80-350	D32	250-315	D48
40-220-4P	D24	100-180-2P	D24	250-360	D48
40-225-2P	D24	100-180-4P	D24	250-380	D48
40-225-4P	D24	100-225-2P	D32S	300-300	D48
50-130-2P	D24	100-225-4P	D24	300-310	D48
50-130-4P	D16	100-280	D32	300-350	D60
50-225-2P	D32SS	100-350	D32	300-400	D60
50-225-4P	D24	100-380	D42	350-350	D60
50-280-2P	D32SS	130-180-2P	D24		

Step 2: Use the pump version code, the d5 diameter, and the material code to find the needed kit.



Pump version code



Material code

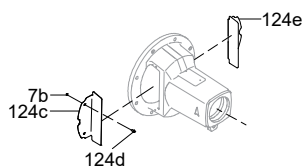
Kit - Shaft for pump versions - A1, A2, I1, I2 and Y1

d5	Material code			
	S3, SB	S4, S8, SC, SG	S5, S9, SD, SH, T2, TA	SI, SJ, SK, SL, T3, TB
	Shaft material			
	1.0503 + 1.4301 (sleeve)	1.4401	1.4462	1.4410
D16	92736899	92729006	92729007	92729008
D24	92737270	96039654	96861516	92736900
D32SS	92737512	92737479	92737510	92737511
D32S	92737516	92737513	92737514	92737515
D32	92737518	96039655	96861519	92737517
D42	92737522	92737519	92737520	92737521
D48	92737524	96861526	96861527	92737523
D60	92737526	96861528	96861529	92737525

Kit - Shaft for pump versions - G1, G2, H1, H2, J1, J2, K1, K2, W1, Z1

d5	Material code			
	S3, SB	S4, S8, SC, SG	S5, S9, SD, SH, T2, TA	SI, SJ, SK, SL, T3, TB
	Shaft material			
	1.0503 + 1.4301 (sleeve)	1.4401	1.4462	1.4410
D16	-	-	-	-
D24	92739367	92739364	92739365	92739366
D32SS	92739371	92739368	92739369	92739370
D32S	92739375	92739372	92739373	92739374
D32	92837582	92837569	92837580	92837581
D42	92739379	92739376	92739377	92739378
D48	92837586	92837583	92837584	92837585
D60	92837590	92837587	92837588	92837589

Kit - Shaft guard



TM1040106

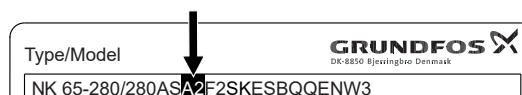
Kit - Shaft guard

- 7b: 4 x Lock washer
 124c: Shaft guard (left side)
 124d: 4 x Screws for shaft guard
 124e: Shaft guard (right side)

Step 1: Find the pump size and note the shaft guard code.

Pump size	Shaft guard code	Pump size	Shaft guard code
32-130.1-2P	1	80-225-2P	4
32-130.1-4P	1	80-225-4P	2
32-130-2P	1	80-280	3
32-130-4P	1	80-350	3
32-165.1-2P	2	100-180-2P	2
32-165.1-4P	1	100-180-4P	2
32-180-2P	1	100-225-2P	4
32-180-4P	1	100-225-4P	2
32-205.1-2P	2	100-280	3
32-205.1-4P	1	100-350	3
40-130-2P	2	100-380	5
40-130-4P	1	125-180-2P	2
40-180-2P	2	125-180-4P	2
40-180-4P	1	125-225	4
40-220-2P	2	125-280	3
40-220-4P	2	125-350	5
40-225-2P	2	125-380	5
40-225-4P	2	150-225	4
50-130-2P	2	150-280	5
50-130-4P	1	150-300	5
50-225-2P	4	150-350	5
50-225-4P	2	150-380	6
50-280-2P	4	200-300	5
50-280-4P	2	200-350	5
50-350	3	200-380	6
65-130-2P	2	200-500	6
65-130-4P	1	250-315	6
65-180-2P	2	250-360	6
65-180-4P	1	250-380	6
65-225-2P	4	300-300	6
65-225-4P	2	300-310	6
65-280	3	300-350	6
80-180-2P	2	300-400	6
80-180-4P	1	350-350	6

Step 2: Use the shaft guard code and the pump version code to find the needed kit.

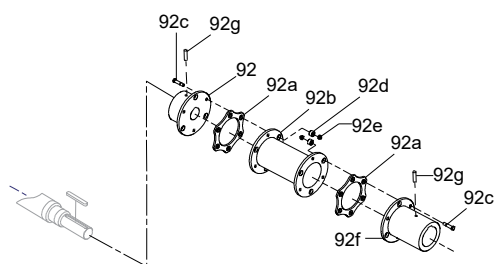


Pump version code

Shaft guard code	Kit - Shaft guard	
	A1, A2, I1, I2, Y1	G1, G2, H1, H2, J1, J2, K1, K2, W1, Z1
1	92728981	-
2	92728982	92728983
3	92728984	-
4	92728985	92728986
5	92728987	92728987
6	92728988	92728988

Kit/spare - Spacer coupling

Spacer coupling, cpl.



TM082720

Kit - Spacer coupling, cpl.

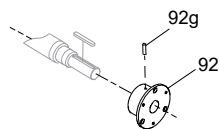
Spacer coupling cpl. ¹⁸³⁾

¹⁸ This is an 'assembly' which consists of more than one component.
³⁾

Content of assembly:

- Pump hub + set screw
- Flexible discs
- Spacer
- Set of coupling bolts
- Set of coupling sleeves
- Set of coupling nuts
- Motor hub + set screw

Pump hub, spacer coupling



TM082694

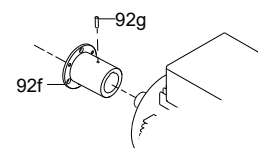
Kit – Pump hub, spacer coupling

Pump hub cpl. ¹⁸³⁾

Content of assembly:

- Pump hub
- Set screw

Motor hub, spacer coupling



TM082695

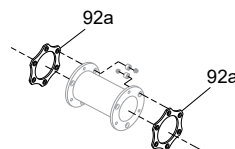
Kit – Motor hub, spacer coupling

Motor hub cpl. ¹⁸³⁾

Content of assembly:

- Motor hub
- Set screw

Flexible disc, spacer coupling

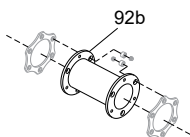


TM082683

Kit - Flexible disc, spacer coupling

92a: 2 x Flexible disc

Spacer, spacer coupling

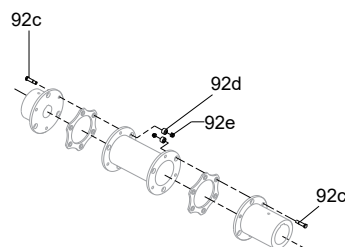


TM082684

Spare – Spacer, spacer coupling

92b: Spacer

Bolt + sleeve + nut, spacer coupling



TM082685

Kit – Bolt + sleeve + nut, spacer coupling

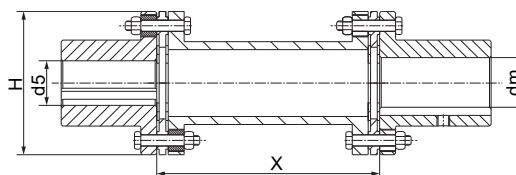
Bolt set cpl., spacer coupling ¹⁸³⁾

Content of assembly:

- Set of coupling bolts
- Set of coupling sleeves
- Set of coupling nuts

Step 1: Measure 4 dimensions and make a note of these:

- 'H'
- diameter of the pump shaft (d5)
- diameter of the motor shaft (dm)
- spacer length "X"

**Step 2: Match the measurements with table below and find the necessary spare / kit.**

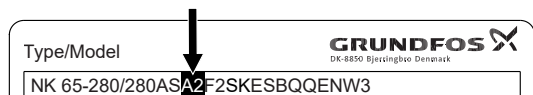
Coupling cpl. spa.	H [mm]	d5 [mm]	dm [mm]	X [mm]	Kit - Spacer Coupling cpl.	Kit - Pump hub, spacer coupling	Kit - Motor hub, spacer coupling	Kit - Flexible disc, spacer coupling	Spare - Spacer, spacer coupling	Kit - Bolt + sleeve + nut, spacer coupling
H90TDE D16/D14,S100	90	16	14	100	92818804	92818741	92818772	92818789	92818916	92818798
H90TDE D16/D19,S100	90	16	19	100	92818805	92818741	92818773	92818789	92818916	92818798
H90TDE D16/D19,S140	90	16	19	140	92818806	92818741	92818773	92818789	92818920	92818798
H90TDE D16/D24,S100	90	16	24	100	92818807	92818741	92818774	92818789	92818916	92818798
H90TDE D16/D24,S140	90	16	24	140	92818808	92818741	92818774	92818789	92818920	92818798
H90TDE D16/D28,S100	90	16	28	100	92818809	92818741	92818775	92818789	92818916	92818798
H90TDE D16/D28,S140	90	16	28	140	92818810	92818741	92818775	92818789	92818920	92818798
H90TDE D16/D38,S100	90	16	38	100	92818811	92818741	92818776	92818789	92818916	92818798
H90TDE D24-40/D19S100	90	24	19	100	92818812	92818743	92818773	92818789	92818916	92818798
H90TDE D24-40/D19S140	90	24	19	140	92818813	92818743	92818773	92818789	92818920	92818798
H90TDE D24-40/D24S100	90	24	24	100	92818814	92818743	92818774	92818789	92818916	92818798
H90TDE D24-40/D24S140	90	24	24	140	92818815	92818743	92818774	92818789	92818920	92818798
H90TDE D24-40/D28S100	90	24	28	100	92818816	92818743	92818775	92818789	92818916	92818798
H90TDE D24-40/D28S140	90	24	28	140	92818817	92818743	92818775	92818789	92818920	92818798
H90TDE D24-40/D38S100	90	24	38	100	92818818	92818743	92818776	92818789	92818916	92818798
H90TDE D24-40/D38S140	90	24	38	140	92818819	92818743	92818776	92818789	92818920	92818798
H90TDE D32/D24,S140	90	32	24	140	92818820	92818749	92818774	92818789	92818920	92818798
H90TDE D32/D28,S140	90	32	28	140	92818821	92818749	92818775	92818789	92818920	92818798
H90TDE D32/D28,S180	90	32	28	180	92818822	92818749	92818775	92818789	92818926	92818798
H90TDE D32/D38,S100	90	32	38	100	92818823	92818749	92818776	92818789	92818916	92818798
H90TDE D32/D38,S140	90	32	38	140	92818824	92818749	92818776	92818789	92818920	92818798
H90TDE D32/D38,S180	90	32	38	180	92818825	92818749	92818776	92818789	92818926	92818798
H100TDE D16/D42,S100	100	16	42	100	92818826	92818742	92818778	92818790	92818917	92937111
H100TDE D24-40/D38S100	100	24	38	100	92818827	92818744	92818777	92818790	92818917	92937111
H100TDE D24-40/D38S140	100	24	38	140	92818828	92818744	92818777	92818790	92818921	92937111
H100TDE D24-40/D42S100	100	24	42	100	92818829	92818744	92818778	92818790	92818917	92937111
H100TDE D24-40/D42S140	100	24	42	140	92818830	92818744	92818778	92818790	92818921	92937111
H100TDE D24-60/D42S100	100	24	42	100	92818831	92818745	92818778	92818790	92818917	92937111
H100TDE D24-60/D42S140	100	24	42	140	92818832	92818745	92818778	92818790	92818921	92937111
H100TDE D32/D38,S140	100	32	38	140	92818833	92818750	92818777	92818790	92818921	92937111
H100TDE D32/D38,S180	100	32	38	180	92818834	92818750	92818777	92818790	92818927	92937111
H100TDE D32/D42,S100	100	32	42	100	92818835	92818750	92818778	92818790	92818917	92937111
H100TDE D32/D42,S140	100	32	42	140	92818836	92818750	92818778	92818790	92818921	92937111
H100TDE D32/D42,S180	100	32	42	180	92818837	92818750	92818778	92818790	92818927	92937111
H100TDE D42/D38,S180	100	42	38	180	92818838	92818754	92818777	92818790	92818927	92937111
H100TDE D42/D42,S180	100	42	42	180	92818839	92818754	92818778	92818790	92818927	92937111
H120TDE D24-60/D42S140	120	24	42	140	92818840	92818746	92818779	92818791	92818923	92818799
H120TDE D32/D42,S140	120	32	42	140	92818841	92818751	92818779	92818791	92818923	92818799
H120TDE D32/D42,S180	120	32	42	180	92818842	92818751	92818779	92818791	92818928	92818799
H120TDE D42/D42,S180	120	42	42	180	92818843	92818755	92818779	92818791	92818928	92818799
H120TDE D42/D42,S200	120	42	42	200	92818844	92818755	92818779	92818791	92818935	92818799
H120TDE D48/D42,S250	120	48	42	250	92818845	92818760	92818779	92818791	92818942	92818799
H130TDE D24-60/D48S100	130	24	48	100	92818846	92818747	92818780	92818792	92818918	92937112

Coupling cpl. spa.	H [mm]	d5 [mm]	dm [mm]	X [mm]	Kit - Spacer Coupling cpl.	Kit - Pump hub, spacer coupling	Kit - Motor hub, spacer coupling	Kit - Flexible disc, spacer coupling	Spare - Spacer, spacer coupling	Kit - Bolt + sleeve + nut, spacer coupling
H130TDE D24-60/D48S140	130	24	48	140	92818847	92818747	92818780	92818792	92818924	92937112
H130TDE D24-60/D55S100	130	24	55	100	92818848	92818747	92818781	92818792	92818918	92937112
H130TDE D24-60/D55S140	130	24	55	140	92818849	92818747	92818781	92818792	92818924	92937112
H130TDE D32/D48,S100	130	32	48	100	92818850	92818752	92818780	92818792	92818918	92937112
H130TDE D32/D48,S140	130	32	48	140	92818851	92818752	92818780	92818792	92818924	92937112
H130TDE D32/D48,S180	130	32	48	180	92818852	92818752	92818780	92818792	92818929	92937112
H130TDE D32/D55,S100	130	32	55	100	92818853	92818752	92818781	92818792	92818918	92937112
H130TDE D32/D55,S140	130	32	55	140	92818854	92818752	92818781	92818792	92818924	92937112
H130TDE D32/D55,S180	130	32	55	180	92818855	92818752	92818781	92818792	92818929	92937112
H130TDE D42/D48,S180	130	42	48	180	92818856	92818756	92818780	92818792	92818929	92937112
H130TDE D42/D48,S200	130	42	48	200	92818857	92818756	92818780	92818792	92818936	92937112
H130TDE D42/D55,S180	130	42	55	180	92818858	92818756	92818781	92818792	92818929	92937112
H130TDE D42/D55,S200	130	42	55	200	92818859	92818756	92818781	92818792	92818936	92937112
H130TDE D48/D48,S180	130	48	48	180	92818860	92818761	92818780	92818792	92818929	92937112
H130TDE D48/D48,S200	130	48	48	200	92818861	92818761	92818780	92818792	92818936	92937112
H130TDE D48/D48,S250	130	48	48	250	92818862	92818761	92818780	92818792	92818943	92937112
H130TDE D48/D48,S300	130	48	48	300	92818863	92818761	92818780	92818792	92818950	92937112
H130TDE D48/D55,S180	130	48	55	180	92818864	92818761	92818781	92818792	92818929	92937112
H130TDE D48/D55,S200	130	48	55	200	92818865	92818761	92818781	92818792	92818936	92937112
H130TDE D48/D55,S250	130	48	55	250	92818866	92818761	92818781	92818792	92818943	92937112
H130TDE D48/D55,S300	130	48	55	300	92818867	92818761	92818781	92818792	92818950	92937112
H146TDE D24-75/D60S140	146	24	60	140	92818868	92818748	92818782	92818793	92818925	92818800
H146TDE D32/D60,S100	146	32	60	100	92818869	92818753	92818782	92818793	92818919	92818800
H146TDE D32/D60,S140	146	32	60	140	92818870	92818753	92818782	92818793	92818925	92818800
H146TDE D32/D65,S100	146	32	65	100	92818871	92818753	92818783	92818793	92818919	92818800
H146TDE D32/D65,S140	146	32	65	140	92818872	92818753	92818783	92818793	92818925	92818800
H146TDE D42/D60,S180	146	42	60	180	92818873	92818757	92818782	92818793	92818931	92818800
H146TDE D42/D60,S200	146	42	60	200	92818874	92818757	92818782	92818793	92818937	92818800
H146TDE D42/D65,S180	146	42	65	180	92818875	92818757	92818783	92818793	92818931	92818800
H146TDE D42/D65,S200	146	42	65	200	92818876	92818757	92818783	92818793	92818937	92818800
H146TDE D48/D60,S180	146	48	60	180	92818877	92818762	92818782	92818793	92818931	92818800
H146TDE D48/D60,S200	146	48	60	200	92818878	92818762	92818782	92818793	92818937	92818800
H146TDE D48/D60,S250	146	48	60	250	92818879	92818762	92818782	92818793	92818944	92818800
H146TDE D48/D60,S300	146	48	60	300	92818880	92818762	92818782	92818793	92818951	92818800
H146TDE D48/D65,S180	146	48	65	180	92818881	92818762	92818783	92818793	92818931	92818800
H146TDE D48/D65,S200	146	48	65	200	92818882	92818762	92818783	92818793	92818937	92818800
H146TDE D48/D65,S250	146	48	65	250	92818883	92818762	92818783	92818793	92818944	92818800
H146TDE D48/D65,S300	146	48	65	300	92818884	92818762	92818783	92818793	92818951	92818800
H146TDE D60/D60,S250	146	60	60	250	92818885	92818767	92818782	92818793	92818944	92818800
H146TDE D60/D60,S300	146	60	60	300	92818886	92818767	92818782	92818793	92818951	92818800
H146TDE D60/D65,S250	146	60	65	250	92818887	92818767	92818783	92818793	92818944	92818800
H146TDE D60/D65,S300	146	60	65	300	92818888	92818767	92818783	92818793	92818951	92818800
H176TDE D42/D75,S180	176	42	75	180	92818889	92818758	92818784	92818794	92818932	92818801
H176TDE D42/D75,S200	176	42	75	200	92818890	92818758	92818784	92818794	92818938	92818801
H176TDE D48/D75,S180	176	48	75	180	92818891	92818763	92818784	92818794	92818932	92818801
H176TDE D48/D75,S200	176	48	75	200	92818892	92818763	92818784	92818794	92818938	92818801
H176TDE D48/D75,S250	176	48	75	250	92818893	92818763	92818784	92818794	92818945	92818801
H176TDE D48/D75,S300	176	48	75	300	92818894	92818763	92818784	92818794	92818952	92818801
H176TDE D60/D75,S250	176	60	75	250	92818895	92818768	92818784	92818794	92818945	92818801
H176TDE D60/D75,S300	176	60	75	300	92818896	92818768	92818784	92818794	92818952	92818801
H196TDE D42/D80,S180	196	42	80	180	92818897	92818759	92818785	92818795	92818933	92818802
H196TDE D48/D80,S180	196	48	80	180	92818898	92818764	92818785	92818795	92818933	92818802
H196TDE D48/D80,S200	196	48	80	200	92818899	92818764	92818785	92818795	92818940	92818802

Coupling cpl. spa.	H [mm]	d5 [mm]	dm [mm]	X [mm]	Kit - Spacer Coupling cpl.	Kit - Pump hub, spacer coupling	Kit - Motor hub, spacer coupling	Kit - Flexible disc, spacer coupling	Spare - Spacer, spacer coupling	Kit - Bolt + sleeve + nut, spacer coupling
H196TDE D48/D80,S250	196	48	80	250	92818900	92818764	92818785	92818795	92818947	92818802
H196TDE D48/D80,S300	196	48	80	300	92818901	92818764	92818785	92818795	92818953	92818802
H196TD D48/D80,S180	196	48	80	180	92818902	92818765	92818786	92818796	92818934	92818803
H196TD D48/D80,S200	196	48	80	200	92818903	92818765	92818786	92818796	92818941	92818803
H196TD D48/D80,S250	196	48	80	250	92818904	92818765	92818786	92818796	92818948	92818803
H196TD D48/D80,S300	196	48	80	300	92818905	92818765	92818786	92818796	92818955	92818803
H196TDE D60/D80,S250	196	60	80	250	92818906	92818769	92818785	92818795	92818947	92818802
H196TDE D60/D80,S300	196	60	80	300	92818908	92818769	92818785	92818795	92818953	92818802
H196TD D60/D80,S250	196	60	80	250	92818909	92818770	92818786	92818796	92818948	92818803
H196TD D60/D80,S300	196	60	80	300	92818910	92818770	92818786	92818796	92818955	92818803
H226TD D60/D95,S250	226	60	95	250	92818911	92818771	92818787	92818797	92818949	92937113
H226TD D60/D95,S300	226	60	95	300	92818912	92818771	92818787	92818797	92818956	92937113
H226TD D60/D100,S250	226	60	100	250	92818913	92818771	92818788	92818797	92818949	92937113
H226TD D60/D100,S300	226	60	100	300	92818915	92818771	92818788	92818797	92818956	92937113

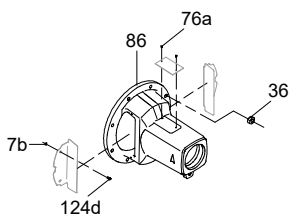
Kit - Standard bearing bracket

Standard bearing bracket codes: A1, A2, I1, I2, Y1



Pump version code

Bearing bracket, standard bearing bracket

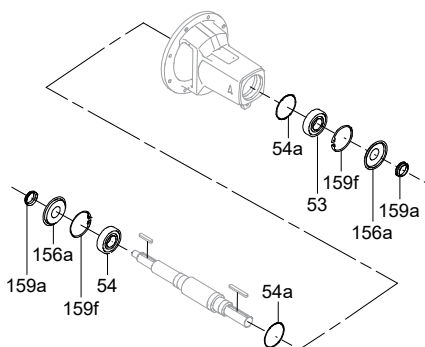


TM1040111

Kit - Bearing bracket, standard bearing bracket

- 7b: 4 x Lock washer
- 36: Needed number of nuts
- 76a: 2 x Rivet
- 86: 1 x Bearing bracket, machined
- 124d: 4 x Screw for shaft guard

Bearings, standard bearing bracket



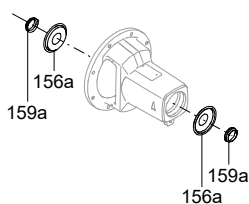
TM1040108

NOTE! Bearings are closed and 'greased for life'.

Kit - Bearings, standard bearing bracket

- 53 and 54: 2 x Bearing
- 54a: 2 x O-ring
- 156a: 2 x Bearing cover
- 159a: 2 x V-ring
- 159f: 2 x Retaining ring

V-ring, standard bearing bracket

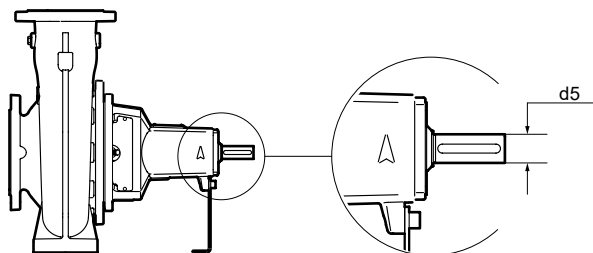


TM1040118

Kit - V-ring, standard bearing bracket

- 156a: 2 x Cover
- 159a: 2 x V-ring

Step 1: Find the pump size and measure the diameter d5 of the pump end.



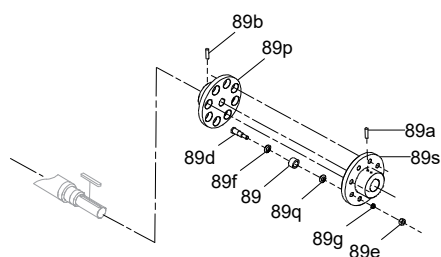
Pump size	d5	Pump size	d5	Pump size	d5
32-130.1-2P	D16A	50-280-4P	D24	125-180-4P	D24
32-130.1-4P	D16A	50-350	D32	125-225	D32S(S)
32-130-2P	D16A	65-130-2P	D24	125-280	D32
32-130-4P	D16A	65-130-4P	D16	125-350	D42
32-165.1-2P	D24	65-180-2P	D24	125-380	D42
32-165.1-4P	D16	65-180-4P	D16	150-225	D32S(S)
32-180-2P	D16	65-225-2P	D32S(S)	150-280	D42
32-180-4P	D16	65-225-4P	D24	150-300	D42
32-205.1-2P	D24	65-280	D32	150-350	D42
32-205.1-4P	D16	80-180-2P	D24	150-380	D48
40-130-2P	D24	80-180-4P	D16	200-300	D42
40-130-4P	D16	80-225-2P	D32S(S)	200-350	D42
40-180-2P	D24	80-225-4P	D24	200-380	D48
40-180-4P	D16	80-280	D32	200-500	D60
40-220-2P	D24	80-350	D32	250-315	D48
40-220-4P	D24	100-180-2P	D24	250-360	D48
40-225-2P	D24	100-180-4P	D24	250-380	D48
40-225-4P	D24	100-225-2P	D32S(S)	300-300	D48
50-130-2P	D24	100-225-4P	D24	300-310	D48
50-130-4P	D16	100-280	D32	300-350	D60
50-225-2P	D32S(S)	100-350	D32	300-400	D60
50-225-4P	D24	100-380	D42	350-350	D60
50-280-2P	D32S(S)	125-180-2P	D24		

Step 2: Use the d5 dimension to find the needed kit.

d5	Kit - Bearing bracket	Kit - Bearing	Kit - V-ring
D16	92729025	92729003	92728989
D16A	92606742	92729003	92728989
D24	92729026	96579598	92728990
D32S(S)	92729027	96579599	92728991
D32	92729028	96579599	92728991
D42	92729029	95919874	92728992
D48	92729030	95919876	92728993
D60	92729031	95919878	92728994

Kit/spare/bulk - Standard coupling

Standard coupling

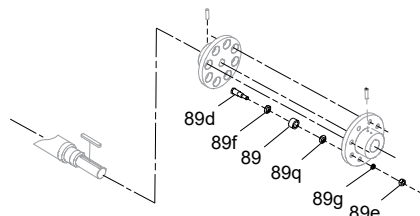


TM1040120

Kit - Standard coupling

- 89a and 89b: Hex screw
- 89p: Coupling female part, pump end
- 89s: Coupling male part, motor end
- 89 + 89d + 89f + 89q + 89g + 89e: 1 Set of bolts/rubber parts

Bolts, standard coupling

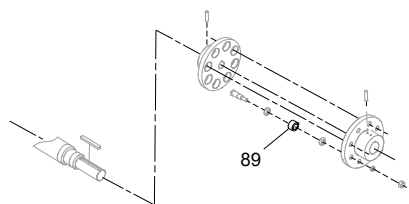


TM1040128

Kit - Bolts, standard coupling

- 89: Set of rubber parts
- 89d: Set of bolts
- 89e: Set of nuts
- 89f and 89q: Set of washers
- 89g: Set of lock washers

Rubber, standard coupling



TM1040127

Spare - Rubber, standard coupling

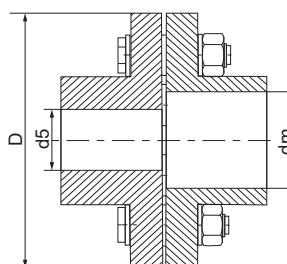
89: Set of rubber parts

Bulk - Rubber, standard coupling

89: 5 Set of rubber parts

Step 1: Measure 3 dimensions and make a note of these:

- 'D'
- diameter of the pump shaft (d5)
- diameter of the motor shaft (dm)



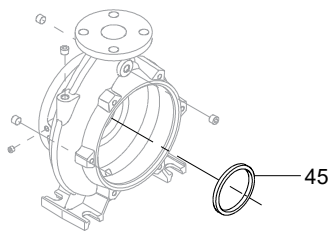
Step 2: Match the measurements with table below and find the necessary spare/kit.

Coupling cpl.	D [mm]	d5 [mm]	dm [mm]	Kit - Coupling complete	Kit - Bolts	Spare - Rubber	Bulk - Rubber (5 sets)
D112 D16/D14	112	16	14	92728610	92737890	92738876	92744229
D112 D16/D19	112	16	19	92728611	92737890	92738876	92744229
D112 D24/D14	112	24	14	92728617	92737890	92738876	92744229
D112 D24/D19	112	24	19	92728618	92737890	92738876	92744229
D125 D16/D24	125	16	24	92728612	92737890	92738876	92744229
D125 D16/D28	125	16	28	92728613	92737890	92738876	92744229
D125 D24/D24	125	24	24	92728619	92737890	92738876	92744229
D125 D24/D28	125	24	28	92728620	92737890	92738876	92744229
D125 D32/D24	125	32	24	92728628	92737890	92738876	92744229
D125 D32/D28	125	32	28	92728629	92737890	92738876	92744229
D140 D16/D28	140	16	28	92728614	92737891	92738877	92744229
D140 D16/D38	140	16	38	92728615	92737891	92738877	92744229

Coupling cpl.	D [mm]	d5 [mm]	dm [mm]	Kit - Coupling complete	Kit - Bolts	Spare - Rubber	Bulk - Rubber (5 sets)
D140 D16/D42	140	16	42	92728616	92737891	92738877	92744229
D140 D24/D28	140	24	28	92728621	92737891	92738877	92744229
D140 D24/D38	140	24	38	92728622	92737891	92738877	92744229
D140 D24/D42	140	24	42	92728623	92737891	92738877	92744229
D140 D32/D28	140	32	28	92728630	92737891	92738877	92744229
D140 D32/D38	140	32	38	92728631	92737891	92738877	92744229
D140 D32/D42	140	32	42	92728632	92737891	92738877	92744229
D140 D42/D28	140	42	28	92728641	92737891	92738877	92744229
D140 D42/D38	140	42	38	92728642	92737891	92738877	92744229
D140 D42/D42	140	42	42	92728643	92737891	92738877	92744229
D160 D24/D48	160	24	48	92728624	92737892	92738878	92744229
D160 D32/D48	160	32	48	92728633	92737892	92738878	92744229
D160 D42/D48	160	42	48	92728644	92737892	92738878	92744229
D160 D48/D42	160	48	42	92728653	92737892	92738878	92744229
D160 D48/D48	160	48	48	92728654	92737892	92738878	92744229
D180 D24/D55	180	24	55	92728625	92737892	92738878	92744229
D180 D32/D55	180	32	55	92728634	92737892	92738878	92744229
D180 D42/D55	180	42	55	92728645	92737892	92738878	92744229
D180 D48/D55	180	48	55	92728656	92737892	92738878	92744229
D180 D60/D55	180	60	55	92728666	92737892	92738878	92744229
D200 D24/D60	200	24	60	92728626	92737893	92738879	92744250
D200 D24/D65	200	24	65	92728627	92737893	92738879	92744250
D200 D32/D60	200	32	60	92728635	92737893	92738879	92744250
D200 D32/D65	200	32	65	92728638	92737893	92738879	92744250
D200 D42/D60	200	42	60	92728646	92737893	92738879	92744250
D200 D42/D65	200	42	65	92728648	92737893	92738879	92744250
D200 D48/D60	200	48	60	92728657	92737893	92738879	92744250
D200 D48/D65	200	48	65	92728658	92737893	92738879	92744250
D200 D60/D60	200	60	60	92728667	92737893	92738879	92744250
D200 D60/D65	200	60	65	92728668	92737893	92738879	92744250
D224 D32/D60	224	32	60	92728636	92737893	92738879	92744250
D224 D32/D65	224	32	65	92728637	92737893	92738879	92744250
D224 D42/D65	224	42	65	92728647	92737893	92738879	92744250
D224 D48/D65	224	48	65	92728659	92737893	92738879	92744250
D224 D60/D65	224	60	65	92728669	92737893	92738879	92744250
D250 D32/D75	250	32	75	92728640	92737894	92738890	92744251
D250 D42/D75	250	42	75	92728649	92737894	92738890	92744251
D250 D42/D80	250	42	80	92728650	92737894	92738890	92744251
D250 D48/D75	250	48	75	92728661	92737894	92738890	92744251
D250 D48/D80	250	48	80	92728662	92737894	92738890	92744251
D250 D60/D75	250	60	75	92728670	92737894	92738890	92744251
D250 D60/D80	250	60	80	92728671	92737894	92738890	92744251
D280 D60/D95	280	60	95	92774667	92731374	92731375	92731376
D280 D60/D100	280	60	100	92774668	92731374	92731375	92731376

Kit/spare - Wear ring

Press fitted wear ring

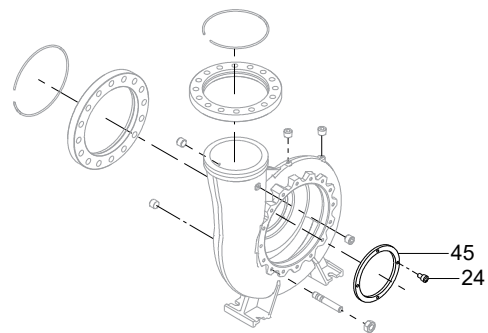
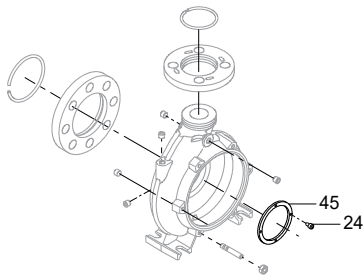
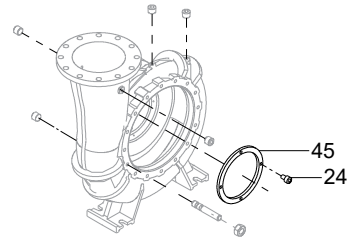
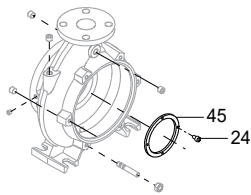


TM078537

Spare - Wear ring, press fitted

45: Wear ring

Screw fitted wear ring



TM1040201

TM1040202

Kit - Wear ring, screw fitted

24: 4 x Socket head cap screw

45: Wear ring

Step 1: Find the pump size and note the ID code of the wear ring.

Pump size	ID code	Pump size	ID code
32-130.1	76	100-350	144
32-130	76	100-380	174
32-165.1	63	125-180	144
32-180	63	125-225	174
32-205.1	63	125-280	154
40-130	90	125-350	154
40-180	90	125-380	185
40-220	76	150-225	185
40-225	76	150-280	185
50-130	100	150-300	185
50-225	112	150-350	200
50-280	95	150-380	210
50-350	95	200-300	210
65-130	112	200-350	224
65-180	90	200-380	222
65-225	100	200-500	260
65-280	100	250-315	230
80-180	112	250-360	240
80-225	112	250-380	240
80-280	112	300-300	270
80-350	122 -1	300-310	324.6
100-180	122-2	300-350	270
100-225	130-1	300-400	270
100-280	130-2	350-350	324.6

Step 2: Use the ID code and the material code to find the needed spare/kit. Make a control check by measuring the old wear ring dimensions.



Material code

ID	Wear ring dimensions	Material code					
		X ¹⁸⁴⁾		X ¹⁸⁴⁾		X ¹⁸⁴⁾	
		Wear ring material					
		Bronze		Cast iron		Brass	
		Spare	Kit	Spare	Kit	Spare	Kit
63	D63/D77x10	96810098	-	96810122	-	99208775	-
76	D76/D90x10	96810099	-	96810123	-	99208825	-
90	D90/D104x10	96810100	-	96810126	-	99208821	-
95	D95/D109x10	92526542	-	92526543	-	92526541	-
100	D100/D114x10	96810102	-	96810140	-	99208819	-
112	D112/D126x10	96810103	-	96810141	-	99208818	-
122-1	D122/D136x10	96810104	-	96939585	-	99208817	-
122-2	D122/D138x13	96810105	-	96939586	-	99208813	-
130-1	D130/D144x10	96810106	-	96939587	-	99208815	-
130-2	D130/D146x13	96797626	-	96939588	-	99208810	-
144	D144/D158x15	96810107	-	96939589	-	99208748	-
154	D154/D168x15	96797628	-	96939590	-	99208807	-
174	D174/D188x15	96810108	-	96939591	-	99208745	-
185	D185/D199x15	96810109	-	96939602	-	99208792	-
200	D200/D214x15	96810110	-	96939603	-	99208786	-
210	D210/D224x15	96810111	-	96939604	-	99208749	-
222	D222/D272x15	-	-	-	96939606	-	96939611
224	D224/D238x15	96810112	-	96939605	-	99208743	-
230	D230/D280x15	-	92837564	-	96939607	-	96939612
240	D240/D290x15	-	92526540	-	96939608	-	96939613
260	D260/D310x15	-	92837565	-	96939610	-	96939615
270	D270/D320x15	-	92837566	-	-	-	92837567
324.6	D324.6/D358X15	-	-	-	92837568	-	99489223

¹⁸ The material code 'X' is shown in the type designation and indicates that the wear ring is a variant. Contact Grundfos service office to check for installed wear ring material.

4)

Motors - Relation between P2 (power), pole and frame size for different motor brands

Step 1: Check the motor brand from the motor name plate.

Step 2: Check the nominal motor rpm which corresponds to a pole.

Step 3: Check the motor power.

Step 4: Find the motor frame size.

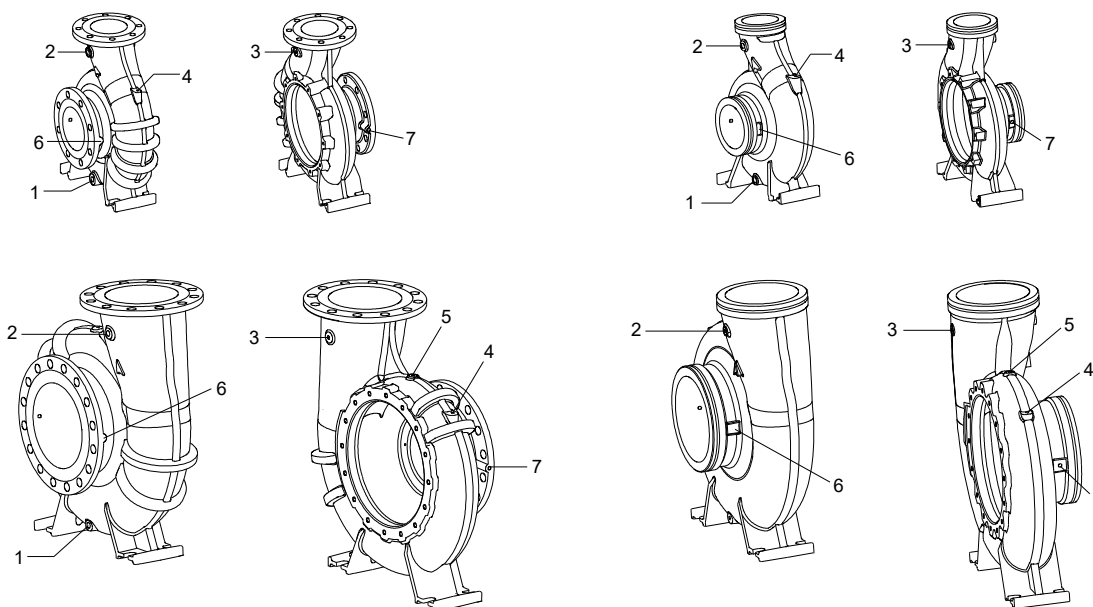
IE3/IE4				IE3				IE4			
MMG - W				MMG - G				MMG - H			
Frame size	2P (kw)	4P (kw)	6P (kw)	Frame size	2P (kw)	4P (kw)	6P (kw)	Frame size	2P (kw)	4P (kw)	6P (kw)
71M1	0.37	0.25	0.18								
71M2	0.55	0.37	0.25								
80 1	0.75	0.55	0.37	80M	0.75	0.55		80MA	0.75		
80 2	1.1	0.75	0.55		1.1	0.75	0.55	80MB	1.1	0.75	
90S	1.5	1.1	0.75	90S	1.5	1.1	0.75	90S	1.5	1.1	0.75
90L	2.2	1.5	1.1	90L	2.2	1.5	1.1	90L	2.2	1.5	1.1
100L	3		1.5	100L	3		1.5	100L	3		1.5
100L1		2.2				2.2		100LA		2.2	
100L2		3				3		100LB		3	
112M	4		2.2	112M	3.7/4		2.2	112M	4	4	2.2
		4		112M		3.7/4					
132S		5.5	3	132S		5.5	3	132S			3
132S1	5.5				5.5			132SA	5.5	5.5	
132S2	7.5				7.5			132SB	7.5		
132M		7.5		132M		7.5		132MA		7.5	4
132M1			4				3.7/4				
132M2			5.5				5.5	132MB			5.5
160M		11	7.5	160M		11	7.5	160M			7.5
160M1	11				11			160MA	11	11	
160M2	15				15			160MB	15		
160L	18.5	15	11	160L	18.5	15	11	160L	18.5		11
								160LA		15	
180M	22	18.5		180M	22	18.5		180M	22		
								180MA		18.5	
180L		22	15	180L		22	15	180L			15
								180LA		22	
200L		30		200L		30		200LA	30	30	18.5
200L1	30		18.5		30		18.5				
200L2	37		22		37		22	200LB	37		22
225S		37		225SC		37		225SA		37	
225M	45			225MA	45			225M			30
		45	30	225MC		45	30	225MA	45	45	
250M	55			250MA	55			250M			37
		55	37	250MC		55	37	250MA	55	55	
280S	75			280SA	75			280S			45
		75	45	280SB		75	45	280SA	75	75	
280M	90			280MA	90			280M			55
		90	55	280MB		90	55	280MA	90	90	
315S	110			315SA	110			315SA	110	110	75
		110	75	315SB		110	75				
315M	132			315MA	132			315M	132		90
		132	90	315MB		132	90	315MA		132	
315L1	160			315LA	160			315LA	160	160	110
		160	110	315LB		160	110				
315L	185										
		185									

IE3/IE4				IE3				IE4			
MMG - W				MMG - G				MMG - H			
Frame size	2P (kw)	4P (kw)	6P (kw)	Frame size	2P (kw)	4P (kw)	6P (kw)	Frame size	2P (kw)	4P (kw)	6P (kw)
315L2	200			315LA	200			315LB	200	200	132
		200	132	315LB		200	132				
355M1	220			355MA	220						
		220	160	355MB		220	160				
355M			185					355M	250	250	
355M2	250			355MA	250			355MA			160
		250	200	355MB		250	200/220	355MB			200
355L1	280										
		280	220								
355L2	315			355LA	315			355LA	315	315	250
		315	250	355LB		315	250				
355X1	355										
		355	280								
355X2	375			355CA	375						
		375	315	355CB		375	315				
355X3			355								

Pump housing plugs

NOTE! This is only for your information. We do not offer plugs as service parts.

NOTE! For all NK, NKE - R2 pump housings, the bores pos. 1+2+3+4+ (6 or 7) are drilled and plugged.



TM1040331

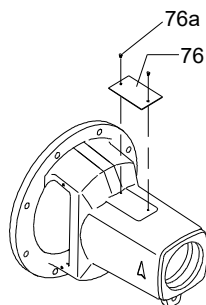
Pump housing plugs

- 1: Bore for draining plug
- 2: Bore for filling plug
- 3: Bore for connecting Series 2000 capillary tube
- 4: Bore for flushing line
- 5: Bore for venting of pump housing
- 6: Bore for connecting Series 2000 capillary tube - or for mounting of an inlet pressure gauge
- 7: Bore for connecting Series 2000 capillary tube - or for mounting of an inlet pressure gauge

IMPORTANT! Bore 2 and bore 3 **CANNOT** be used for mounting of a discharge pressure gauge. The reading in this position of the pump housing will give an incorrect and useless pressure reading compared to what is shown in Sales tools (Grundfos Product Center and data booklets).

EN/ISO versions	Plug position on drawing - (all plugs are with Rp connections)																3	4	5	6	7
	1 + 2																				
	Impeller diameter																				
	125	160	180	200	220	225	250	280	300	305	315	350	400	450	500						
DN - outlet	32	3/8	3/8	3/8	3/8	3/8	3/8	3/8									1/4	1/8	Follows size of 1+2	1/4	1/4
	40	3/8	3/8	3/8	3/8	3/8	3/8	3/8	3/8	3/8	3/8	3/8					1/4	1/8	Follows size of 1+2	1/4	1/4
	50	3/8	3/8	3/8	3/8	3/8	3/8	3/8	3/8	3/8	1/2	1/2	1/2				1/4	1/8	Follows size of 1+2	1/4	1/4
	65	3/8	3/8	3/8	3/8	3/8	3/8	1/2	1/2	1/2	1/2	1/2	1/2				1/4	1/8	Follows size of 1+2	1/4	1/4
	80		3/8	3/8	3/8	3/8	3/8	1/2	1/2	1/2	1/2	1/2	1/2	1/2			1/4	1/8	Follows size of 1+2	1/4	1/4
	100		1/2	1/2	1/2	1/2	1/2	1/2	1/2	1/2	1/2	1/2	1/2	1/2	1/2		1/4	1/8	Follows size of 1+2	1/4	1/4
	125				1/2	1/2	1/2	1/2	1/2	1/2	1/2	1/2	1/2	1/2	1/2	1/2	1/4	1/8	Follows size of 1+2	1/4	1/4
	150				1/2	1/2	1/2	1/2	1/2	1/2	1/2	1/2	1/2	1/2	1/2	1/2	1/4	1/8	Follows size of 1+2	1/4	1/4
	200									1/2	1/2	1/2	1/2	1/2	1/2	1/2	1/4	1/8	Follows size of 1+2	1/4	1/4
	250											1/2	1/2	1/2	1/2	1/2	1/4	1/8	Follows size of 1+2	1/4	1/4
300									1/2	1/2	1/2	1/2	1/2			1/4	1/8	Follows size of 1+2	1/4	1/4	
350												1/2				1/4	1/8	Follows size of 1+2	1/4	1/4	

Pump nameplate



TM083031

Nameplate

76: Nameplate (72 x 50 mm)

76a: 2 x Rivet

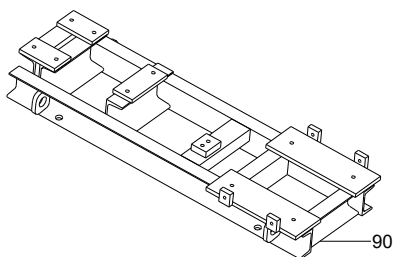
When you require to replace a nameplate, take a picture of the existing one and send this to Grundfos.

Based on this, it is normally possible to print a new copy.

If the pump holds certain approvals, it may be a mandatory requirement to ship the complete unit back to Grundfos to check the pump, and to print and install a new nameplate in Grundfos facilities. This is to maintain the approval. Therefore, information of the installed pump is needed.

Spare - Base frame, spacer coupling

Spacer coupling



TM084774

Spare - Base frame, standard coupling

90: Base frame, spacer coupling

Step 1: Find the motor frame size. Use the Section *Motors - Relation between P2 (power), pole and frame size for different motor brands*.

Step 2: Use the pump size and the motor frame size to find the base frame code.

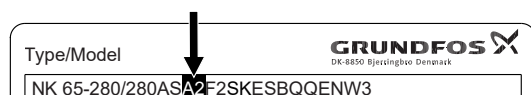
Pump size	Motor frame size												
	71M	80M	90S	90L	100L	112M-2,6	112M-4	132S	132M	160M	160L	180M	
32-130.1-2P		112Aa02	112Aa03	112Aa04	112Aa05	112Aa06		112Aa08					
32-130.1-4P	112Aa01	112Aa02											
32-130-2P		112Aa02	112Aa03	112Aa04	112Aa05	112Aa06		112Aa08					
32-130-4P	112Aa01	112Aa02											
32-165.1-2P			132Cb03	132Cb04-1	132Cb05-1	132Cb06-1		132Cb08-1					
32-165.1-4P	132Ca01-1	132Ca02-1											
32-180-2P			132Ca03	132Ca04	132Ca05	132Ca06		132Ca08		132Ca10			
32-180-4P	132Ca01	132Ca02	132Ca03										
32-205.1-2P					160Cb05	160Cb06		160Cb08		160Cb10			
32-205.1-4P	160Ca01	160Ca02	160Ca03	160Ca04	160Ca05								
40-130-2P			112Bb03	112Bb04	112Bb05	112Bb06		112Bb08		112Bb10			
40-130-4P	112Ba01	112Ba02	112Ba03	112Ba04									
40-180-2P				132Cb04	132Cb05	132Cb06		132Cb08		132Cb10			
40-180-4P	132Ca01	132Ca02	132Ca03	132Ca04	132Ca05								
40-220-2P								180Ed08		180Ed10	180Ed11	180Ed12	
40-220-4P		180Eb02	180Eb03	180Eb04	180Eb05		180Eb07						
40-225-2P								180Ed08		180Ed10	180Ed11	180Ed12	
40-225-4P		180Eb02	180Eb03	180Eb04	180Eb05		180Eb07	180Eb08					
50-130-2P					132Cb05-1	132Cb06-1		132Cb08-1		132Cb10-1			
50-130-4P	132Ca01-1	132Ca02-1	132Ca03-1	132Ca04-1	132Ca05-1								
50-225-2P								180Ee08		180Ee10	180Ee11	180Ee12	
50-225-4P		180Eb02	180Eb03	180Eb04	180Eb05		180Eb07	180Eb08					
50-280-2P										180Ee10	180Ee11	180Ee12	
50-280-4P					180Eb05		180Eb07	180Eb08	180Eb09	180Eb10			
50-350					225Fg05		225Fg07	225Fg08	225Fg09	225Fg10	225Fg11	225Fg12	
65-130-2P						160Db06-1		160Db08-1		160Db10-1	160Db11-1	160Db12-1	
65-130-4P		160Da02-1	160Da03-1	160Da04-1	160Da05-1								
65-180-2P					160Db05	160Db06		160Db08		160Db10	160Db11	160Db12	
65-180-4P		160Da02	160Da03	160Da04	160Da05								
65-225-2P										200Fe10	200Fe11	200Fe12	
65-225-4P		200Fb02	200Fb03	200Fb04	200Fb05	200Fb06	200Fb07	200Fb08	200Fb09				
65-280			200Fg03	200Fg04	200Fg05	200Fg06	200Fg07	200Fg08	200Fg09	200Fg10			
80-180-2P						160Db06		160Db08		160Db10	160Db11	160Db12	
80-180-4P		160Da02	160Da03	160Da04	160Da05		160Da07						
80-225-2P											200Gf11	200Gf12	

Pump size	Motor frame size												
	71M	80M	90S	90L	100L	112M-2,6	112M-4	132S	132M	160M	160L	180M	
80-225-4P			200Gc03	200Gc04	200Gc05	200Gc06	200Gc07	200Gc08	200Gc09	200Gc10			
80-280				200Gg04	200Gg05	200Gg06	200Gg07	200Gg08	200Gg09	200Gg10	200Gg11		
80-350						250Gg06		250Gg08	250Gg09	250Gg10	250Gg11	250Gg12	
100-180-2P								180Fb08		180Fb10	180Fb11	180Fb12	
100-180-4P		180Fb02	180Fb03	180Fb04	180Fb05		180Fb07	180Fb08					
100-225-2P													225Gf12
100-225-4P				225Gc04	225Gc05	225Gc06	225Gc07	225Gc08	225Gc09	225Gc10	225Gc11		
100-280					225Gg05	225Gg06		225Gg08	225Gg09	225Gg10	225Gg11	225Gg12	
100-350						250Gg06		250Gg08	250Gg09	250Gg10	250Gg11	250Gg12	
100-380									280Hi09	280Hi10	280Hi11		
125-180-2P										200Fb10	200Fb11	200Fb12	
125-180-4P		200Fb02	200Fb03	200Fb04	200Fb05	200Fb06	200Fb07	200Fb08	200Fb09				
125-225					250Gf05	250Gf06		250Gf08	250Gf09	250Gf10	250Gf11	250Gf12	
125-280						250Gg06		250Gg08	250Gg09	250Gg10	250Gg11	250Gg12	
125-350									280Hi09	280Hi10	280Hi11	280Hi12	
125-380											315Hi11		
150-225						280Hf06		280Hf08	280Hf09	280Hf10	280Hf11	280Hf12	
150-280								280Hi08	280Hi09	280Hi10	280Hi11	280Hi12	
150-300										280Lj10	280Lj11		
150-350									280Li09	280Li10	280Li11	280Li12	
150-380													
200-300												350Mq11	
200-350									350Mi09	350Mi10	350Mi11		
200-380													
200-500													
250-315										400Ms10	400Ms11		
250-360												450Mn11	
250-380													
300-300												510N11p	
300-310													
300-350													
300-400													
350-350													

Pump size	Motor frame size												
	180L	200L	225S	225M	250M	280S	280M	315S	315M	315L	355M	355L	355X
32-130.1-2P													
32-130.1-4P													
32-130-2P													
32-130-4P													
32-165.1-2P													
32-165.1-4P													
32-180-2P													
32-180-4P													
32-205.1-2P													
32-205.1-4P													
40-130-2P													
40-130-4P													
40-180-2P													
40-180-4P													
40-220-2P		180Ed14											
40-220-4P													
40-225-2P		180Ed14											
40-225-4P													
50-130-2P													
50-130-4P													
50-225-2P		180Ee14		180Ee16									
50-225-4P													
50-280-2P		180Ee14		180Ee16	180Ee17	180Ee18							
50-280-4P													
50-350													
65-130-2P													
65-130-4P													
65-180-2P													
65-180-4P													
65-225-2P		200Fe14		200Fh16	200Fh17								
65-225-4P													
65-280													
80-180-2P		160Db14											
80-180-4P													
80-225-2P		200Gf14		200Gf16	200Gf17	200Gf18	200Gf19						
80-225-4P													
80-280													
80-350	250Gg13	250Gg14											
100-180-2P		180Fd14											
100-180-4P													
100-225-2P		225Gf14		225Gf16	225Gf17	225Gf18	225Gf19						
100-225-4P													
100-280	225Gg13												
100-350	250Gg13	250Gg14	250Gg15										
100-380	280Hi13	280Hi14	280Hi15	280Hi16	280Hi17	280Hi18	280Hi19	280Hi20					
125-180-2P		200Fb14		200Fb16	200Fb17								
125-180-4P													
125-225	250Gf13												
125-280	250Gg13	250Gg14											
125-350	280Hi13	280Hi14	280Hi15	280Hi16	280Hi17								
125-380	315Hi13	315Hi14	315Hi15	315Hi16	315Hi17	315Hi18	315Hi19	315Hi20					
150-225	280Hf13	280Hf14											

Pump size	Motor frame size												
	180L	200L	225S	225M	250M	280S	280M	315S	315M	315L	355M	355L	355X
150-280	280Hi13	280Hi14	280Hi15	280Hi16									
150-300	280Lj13	280Lj14	280Lj15	280Lj16	280Lj17								
150-350	280Li13	280Li14	280Li15	280Li16	280Li17	280Li18	280Li19						
150-380	315Lk13	315Lk14		315Lk16	315Lk17	315Lk18	315Lk19	315Lk20	315Lk22	315Lk22			
200-300	350Mq13	350Mq14	350Mq15	350Mq16	350Mq17	350Mq18							
200-350	350Mi13	350Mi14	350Mi15	350Mi16	350Mi17	350Mi18	350Mi19	350Mi20	350Mi22	350Mi22			
200-380	400M13k	400M14k		400M16k	400M17k	400M18k	400M19k	400M20k	400M22k	400M22k			
200-500					400Mk17	400Mk18	400Mk19	400Mk20	400Mk22	400Mk22	400Mk24	400Mk24	400Mk25
250-315	400Ms13	400Ms14	400Ms15	400Ms16	400Ms17	400Ms18	400Ms19						
250-360	450Mn13	450Mn14	450Mn15	450Mn16	450Mn17	450Mn18	450Mn19	450Mn20	450Mn22	450Mn22			
250-380		450Mm14		450Mm16	450Mm17	450Mm18	450Mm19	450Mm20	450Mm22	450Mm22			
300-300	510N13p	510N14p		510N16p	510N17p	510N18p	510N19p	510N20p	510N22p	510Np22			
300-310	510Np13	510Np14		510Np16	510Np17	510Np18	510Np19	510Np20	510Np22	510Np22			
300-350				450Ms16	450Ms17	450Ms18	450Ms19	450Ms20	450Ms22	450Ms22	450Ms24	450Ms24	
300-400							450Kr19	450Kr20	450Kr22	450Kr22	450Kr24	450Kr24	450Kr25
350-350				560Jl16	560Jl17	560Jl18	560Jl19	560Jl20	560Jl22	560Jl22			

Step 3: Use the base frame code and the pump version code to find the needed base frame.



Pump version code

Base frame code	Pump versions			
	A2, I2		G2, H2, J2, K2	
	BF code	Spare PN	BF code	Spare PN
112Aa01	200S	92837720		
112Aa02	201S	92837721		
112Aa03	202S	92837722		
112Aa04	203S	92837723		
112Aa05	204S	92837724		
112Aa06	205S	92837725		
112Aa08	206S	92837726		
132Ca01	207S	92837727		
132Ca01-1				
132Ca02	208S	92837728		
132Ca02-1				
132Ca03	209S	92837729		
132Ca03-1				
132Cb03	210S	92837730		
132Cb04	211S	92837731		
132Cb04-1				
132Cb05	212S	92837732		
132Cb05-1				
132Cb06	213S	92837733		
132Cb06-1				
132Cb08	214S	92837734		
132Cb08-1				
132Ca04, 132Ca04-1	215S	92837735		
132Ca05	216S	92837736		
132Ca05-1 ¹⁸⁵⁾				
132Ca06	217S	92837737		
132Ca08	218S	92837738		

Base frame code	Pump versions			
	A2, I2		G2, H2, J2, K2	
	BF code	Spare PN	BF code	Spare PN
160Ca01	219S	92837740		
160Ca02	220S	92837741		
160Ca03	221S	92837742		
160Ca04	222S	92837743		
160Cb05	223S	92837744		
160Cb06	224S	92837745		
160Cb08	225S	92837746		
160Cb10	226S	92837747		
112Ba01	227S	92837748		
112Ba02	228S	92837749		
112Ba03	229S	92837750		
112Bb03	230S	92837751		
112Bb04	231S	92837752		
112Bb05	232S	92837753		
112Bb06	233S	92837754		
112Bb08	234S	92837755		
112Bb10 ¹⁸⁵⁾	235S	92837756		
132Cb10	236S	92837757		
132Cb10-1				
180Eb02	237S	92837758		
180Eb03	238S	92837759		
180Eb04	239S	92837760		
180Eb05	240S	92837761		
180Eb07	241S	92837762		
180Eb08	242S	92837768		
180Ed08			243S	92837763

Base frame code	Pump versions			
	A2, I2		G2, H2, J2, K2	
	BF code	Spare PN	BF code	Spare PN
180Ed10			244S	92837764
180Ed11			245S	92837765
180Ed12			246S	92837766
180Ed14			247S	92837767
180Ee08	248S	92837769		
180Ee10	249S	92837770		
180Ee11	250S	92837771		
180Ee12	251S	92837772		
180Ee14	252S	92837773		
180Ee16	253S	92837774		
180Eb09	254S	92837775		
180Eb10	255S	92837776		
180Ee17	256S	92837777		
180Ee18	257S	92837778		
225Fg05	258S	92837779		
225Fg07	259S	92837780		
225Fg08	260S	92837781		
225Fg09	261S	92837782		
225Fg10	262S	92837783		
225Fg11	263S	92837784		
225Fg12	264S	92837785		
160Da02 160Da02-1	265S	92837786		
160Da03 160Da03-1	266S	92837787		
160Da04 160Da04-1	267S	92837788		
160Da05 160Da05-1	268S	92837789		
160Db06 160Db06-1	269S	92837790		
160Db08 160Db08-1	270S	92837791		
160Db10 160Db10-1	271S	92837792		
160Db11 160Db11-1	272S	92837793		
160Da07	273S	92837821		
160Db05	274S	92837794		
160Db12 160Db12-1 ¹⁸⁵⁾	275S	92837795		
200Fb02	276S	92837796		
200Fb03	277S	92837797		
200Fb04	278S	92837798		
200Fb05	279S	92837799		
200Fb06	280S	92837800		
200Fb07	281S	92837801		
200Fb08	282S	92837802		
200Fb09	283S	92837803		
200Fe10	284S	92837804		
200Fe11	285S	92837805	288S	92837808
200Fe12	286S	92837806	289S	92837809
200Fe14	287S	92837807	290S	92837810
200Fh16			291S	92837811

Base frame code	Pump versions			
	A2, I2		G2, H2, J2, K2	
	BF code	Spare PN	BF code	Spare PN
200Fh17			292S	92837812
200Fg03	293S	92837813		
200Fg04	294S	92837814		
200Fg05	295S	92837815		
200Fg06	296S	92837816		
200Fg07	297S	92837817		
200Fg08	298S	92837818		
200Fg09	299S	92837819		
200Fg10	300S	92837820		
160Db14	301S	92837822		
200Gc03	302S	92837823		
200Gc04	303S	92837824		
200Gc05	304S	92837825		
200Gc06	305S	92837826		
200Gc07	306S	92837827		
200Gc08	307S	92837828		
200Gc09	308S	92837829		
200Gc10	309S	92837830		
200Gf11	310S	92837831		
200Gf12	311S	92837832		
200Gf14	312S	92837833		
200Gf16	313S	92837834		
200Gf17	314S	92837835		
200Gf18	315S	92837836		
200Gf19	316S	92837837		
200Gg04	317S	92837838		
200Gg05	318S	92837839		
200Gg06	319S	92837840		
200Gg07	320S	92837841		
200Gg08	321S	92837842		
200Gg09	322S	92837843		
200Gg10	323S	92837844		
200Gg11	324S	92837845		
250Gg06	325S	92837846		
250Gg08	326S	92837847		
250Gg09	327S	92837848		
250Gg10	328S	92837849		
250Gg11	329S	92837850		
250Gg12	330S	92837851		
250Gg13	331S	92837852		
250Gg14	332S	92837853		
180Fb02	333S	92837854		
180Fb03	334S	92837856		
180Fb04	335S	92837857		
180Fb05	336S	92837858		
180Fb07	337S	92837859		
180Fb08	338S	92837860		
180Fb10	339S	92837861	342S	92837864
180Fb11	340S	92837862	343S	92837865
180Fb12	341S	92837863	344S	92837866
180Fd14			345S	92837867
225Gc04	346S	92837868		
225Gc05	347S	92837869		

Base frame code	Pump versions			
	A2, I2		G2, H2, J2, K2	
	BF code	Spare PN	BF code	Spare PN
225Gc06	348S	92837870		
225Gc07	349S	92837871		
225Gc08	350S	92837872		
225Gc09	351S	92837873		
225Gc10	352S	92837874		
225Gc11	353S	92837875		
225Gf12	354S	92837876		
225Gf14	355S	92837877		
225Gf16	356S	92837878		
225Gf17	357S	92837879		
225Gf18	358S	92837880		
225Gf19	359S	92837881		
225Gg05	360S	92837882		
225Gg06	361S	92837883		
225Gg08	362S	92837884		
225Gg09	363S	92837885		
225Gg10	364S	92837886		
225Gg11	365S	92837887		
225Gg12	366S	92837888		
225Gg13	367S	92837889		
250Gg15	368S	92837890		
280Hi09	369S	92837891		
280Hi10	370S	92837892		
280Hi11	371S	92837893		
280Hi13	372S	92837894		
280Hi14	373S	92837895		
280Hi15	374S	92837896		
280Hi16	375S	92837897		
280Hi17	376S	92837898		
280Hi18	377S	92837899		
280Hi19	378S	92837900		
280Hi20	379S	92837901		
200Fb10	380S	92837902		
200Fb11	381S	92837903		
200Fb12	382S	92837904		
200Fb14	383S	92837905		
200Fb16	384S	92837906		
200Fb17	385S	92837907		
250Gf05	386S	92837908		
250Gf06	387S	92837909		
250Gf08	388S	92837910		
250Gf09	389S	92837911		
250Gf10	390S	92837912		
250Gf11	391S	92837913		
250Gf12	392S	92837914		
250Gf13	393S	92837915		
280Hi12	394S	92837916		
315Hi11	395S	92837917		
315Hi13	396S	92837918		
315Hi14	397S	92837919		
315Hi15	398S	92837920		
315Hi16	399S	92837921		
315Hi17	400S	92837922		

Base frame code	Pump versions			
	A2, I2		G2, H2, J2, K2	
	BF code	Spare PN	BF code	Spare PN
315Hi18	401S	92837923		
315Hi19	402S	92837924		
315Hi20	403S	92837925		
280Hf06	404S	92837926		
280Hf08	405S	92837927		
280Hf09	406S	92837928		
280Hf10	407S	92837929		
280Hf11	408S	92837930		
280Hf12	409S	92837931		
280Hf13	410S	92837932		
280Hf14	411S	92837933		
280Hi08	412S	92837934		
280Li09	413S	92837935		
280Li10	414S	92837936		
280Li11	415S	92837937		
280Li12	416S	92837938		
280Li13	417S	92837939		
280Li14	418S	92837940		
280Li15	419S	92837941		
280Li16	420S	92837942		
280Li17	421S	92837943		
280Li18	422S	92837944		
280Li19	423S	92837946		
315Lk13	424S	92837947		
315Lk14	425S	92837948		
315Lk16	426S	92837949		
315Lk17	427S	92837950		
315Lk18	428S	92837951		
315Lk19	429S	92837952		
315Lk20	430S	92837953		
315Lk22	431S	92837954		
450Mm14	432S	92837955		
450Mm16	433S	92837956		
450Mm17	434S	92837957		
450Mm18	435S	92837958		
450Mm19	436S	92837959		
450Mm20	437S	92837960		
450Mm22	438S	92837961		
132Ca10	439S	92837739		
280Lj10	450S	92837973		
280Lj11	451S	92837974		
280Lj13	452S	92837975		
280Lj14	453S	92837976		
280Lj15	454S	92837977		
280Lj16	455S	92837978		
280Lj17	456S	92837979		
350Mq11	457S	92837980		
350Mq13	458S	92837981		
350Mq14	459S	92837982		
350Mq15	460S	92837983		
350Mq16	461S	92837984		
350Mq17	462S	92837985		
350Mq18	463S	92837986		

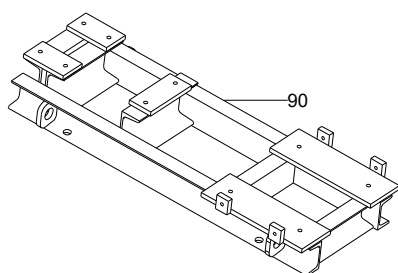
Base frame code	Pump versions			
	A2, I2		G2, H2, J2, K2	
	BF code	Spare PN	BF code	Spare PN
350Mi09	464S	92837987	476S	92837999
350Mi10	465S	92837988	477S	92838000
350Mi11	466S	92837989	478S	92838001
350Mi13	467S	92837990	479S	92838002
350Mi14	468S	92837991	480S	92838003
350Mi15	469S	92837992	481S	92838004
350Mi16	470S	92837993	482S	92838005
350Mi17	471S	92837994	483S	92838006
350Mi18	472S	92837995	484S	92838007
350Mi19	473S	92837996	485S	92838008
350Mi20	474S	92837997	486S	92838009
350Mi22	475S	92837998	487S	92838010
400M13k	488S	92838011		
400M14k	489S	92838012		
400M16k	490S	92838013		
400M17k	491S	92838014		
400M18k	492S	92838015		
400M19k	493S	92838016		
400M20k	494S	92838017		
400M22k	495S	92838018		
400Mk17	496S	92838019		
400Mk18	497S	92838020		
400Mk19	498S	92838021		
400Mk20	499S	92838022		
400Mk22	500S	92838023		
400Mk24	501S	92838024		
400Mk25	502S	92838025		
400Ms10	503S	92838026		
400Ms11	504S	92838027		
400Ms13	505S	92838028		
400Ms14	506S	92838029		
400Ms15	507S	92838030		
400Ms16	508S	92838031		
400Ms17	509S	92838032		
400Ms18	510S	92838033		
400Ms19	511S	92838034		
450Mn11	512S	92838035		
450Mn13	513S	92838036		
450Mn14	514S	92838037		
450Mn15	515S	92838038		
450Mn16	516S	92838039		
450Mn17	517S	92838040		
450Mn18	518S	92838041		
450Mn19	519S	92838043		
450Mn20	520S	92838044		
450Mn22	521S	92838045		
510N11p	522S	92838046		
510N13p	523S	92838047		
510N14p	524S	92838048		
510N16p	525S	92838049		
510N17p	526S	92838050		
510N18p	527S	92838051		
510N19p	528S	92838052		

Base frame code	Pump versions			
	A2, I2		G2, H2, J2, K2	
	BF code	Spare PN	BF code	Spare PN
510N20p	529S	92838053		
510N22p	530S	92838054		
510Np13	531S	92838055		
510Np14	532S	92838056		
510Np16	533S	92838057	533S	92838057
510Np17	534S	92838058	534S	92838058
510Np18	535S	92838059	535S	92838059
510Np19	536S	92838060	536S	92838060
510Np20	537S	92838061	537S	92838061
510Np22	538S	92838062	538S	92838062
450Ms16	546S	92838063		
450Ms17	547S	92838064		
450Ms18	548S	92838065	548S	92838065
450Ms19	549S	92838066	549S	92838066
450Ms20	550S	92838067	550S	92838067
450Ms22	551S	92838068	551S	92838068
450Ms24			556S	92838069
450Kr19	557S	92838070		
450Kr20	558S	92838071		
450Kr22	559S	92838072	559S	92838072
450Kr24	560S	92838074	560S	92838074
450Kr25			563S	92838075
560Jl16	564S	92838076		
560Jl17	565S	92838077		
560Jl18	566S	92838078	566S	92838078
560Jl19	567S	92838079	567S	92838079
560Jl20	568S	92838080	568S	92838080
560Jl25			575S	92838083
160Ca05 ¹⁸⁵⁾	580S	93018584		
112Ba04 ¹⁸⁵⁾	581S	93018586		

¹⁸ Only for E-pump.
⁵⁾

Spare - Base frame, standard coupling

Standard coupling



TM1040123

Spare - Base frame, standard coupling

90: Base frame, standard coupling te

Step 1: Find the motor frame size. Use the Section *Motors - Relation between P2 (power), pole and frame size for different motor brands*.

Step 2: Use the pump size and the motor frame size to find the base frame code.

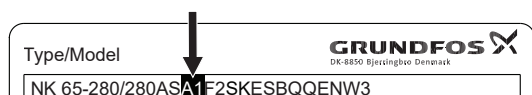
Pump size	Motor frame size												
	71M	80M	90S	90L	100L	112M-2,6	112M-4	132S	132M	160M	160L	180M	
32-130.1-2P		112Aa02	112Aa03	112Aa04	112Aa05	112Aa06		112Aa08					
32-130.1-4P	112Aa01	112Aa02											
32-130-2P		112Aa02	112Aa03	112Aa04	112Aa05	112Aa06		112Aa08					
32-130-4P	112Aa01	112Aa02											
32-165.1-2P			132Cb03	132Cb04-1	132Cb05-1	132Cb06-1		132Cb08-1					
32-165.1-4P	132Ca01-1	132Ca02-1											
32-180-2P			132Ca03	132Ca04	132Ca05	132Ca06		132Ca08		132Ca10			
32-180-4P	132Ca01	132Ca02	132Ca03										
32-205.1-2P					160Cb05	160Cb06		160Cb08		160Cb10			
32-205.1-4P	160Ca01	160Ca02	160Ca03	160Ca04	160Ca05								
40-130-2P			112Bb03	112Bb04	112Bb05	112Bb06		112Bb08		112Bb10			
40-130-4P	112Ba01	112Ba02	112Ba03	112Ba04									
40-180-2P				132Cb04	132Cb05	132Cb06		132Cb08		132Cb10			
40-180-4P	132Ca01	132Ca02	132Ca03	132Ca04	132Ca05								
40-220-2P								180Ed08		180Ed10	180Ed11	180Ed12	
40-220-4P		180Eb02	180Eb03	180Eb04	180Eb05		180Eb07						
40-225-2P								180Ed08		180Ed10	180Ed11	180Ed12	
40-225-4P		180Eb02	180Eb03	180Eb04	180Eb05		180Eb07	180Eb08					
50-130-2P					132Cb05-1	132Cb06-1		132Cb08-1		132Cb10-1			
50-130-4P	132Ca01-1	132Ca02-1	132Ca03-1	132Ca04-1	132Ca05-1								
50-225-2P								180Ee08		180Ee10	180Ee11	180Ee12	
50-225-4P		180Eb02	180Eb03	180Eb04	180Eb05		180Eb07	180Eb08					
50-280-2P										180Ee10	180Ee11	180Ee12	
50-280-4P					180Eb05		180Eb07	180Eb08	180Eb09	180Eb10			
50-350					225Fg05		225Fg07	225Fg08	225Fg09	225Fg10	225Fg11	225Fg12	
65-130-2P						160Db06-1		160Db08-1		160Db10-1	160Db11-1	160Db12-1	
65-130-4P		160Da02-1	160Da03-1	160Da04-1	160Da05-1								
65-180-2P					160Db05	160Db06		160Db08		160Db10	160Db11	160Db12	
65-180-4P		160Da02	160Da03	160Da04	160Da05								
65-225-2P										200Fe10	200Fe11	200Fe12	
65-225-4P		200Fb02	200Fb03	200Fb04	200Fb05	200Fb06	200Fb07	200Fb08	200Fb09				
65-280			200Fg03	200Fg04	200Fg05	200Fg06	200Fg07	200Fg08	200Fg09	200Fg10			
80-180-2P						160Db06		160Db08		160Db10	160Db11	160Db12	
80-180-4P		160Da02	160Da03	160Da04	160Da05		160Da07						

Pump size	Motor frame size											
	71M	80M	90S	90L	100L	112M-2,6	112M-4	132S	132M	160M	160L	180M
80-225-2P											200Gf11	200Gf12
80-225-4P			200Gc03	200Gc04	200Gc05	200Gc06	200Gc07	200Gc08	200Gc09	200Gc10		
80-280				200Gg04	200Gg05	200Gg06	200Gg07	200Gg08	200Gg09	200Gg10	200Gg11	
80-350						250Gg06		250Gg08	250Gg09	250Gg10	250Gg11	250Gg12
100-180-2P								180Fb08		180Fb10	180Fb11	180Fb12
100-180-4P		180Fb02	180Fb03	180Fb04	180Fb05		180Fb07	180Fb08				
100-225-2P												225Gf12
100-225-4P				225Gc04	225Gc05	225Gc06	225Gc07	225Gc08	225Gc09	225Gc10	225Gc11	
100-280					225Gg05	225Gg06		225Gg08	225Gg09	225Gg10	225Gg11	225Gg12
100-350						250Gg06		250Gg08	250Gg09	250Gg10	250Gg11	250Gg12
100-380									280Hi09	280Hi10	280Hi11	
125-180-2P										200Fb10	200Fb11	200Fb12
125-180-4P		200Fb02	200Fb03	200Fb04	200Fb05	200Fb06	200Fb07	200Fb08	200Fb09			
125-225					250Gf05	250Gf06		250Gf08	250Gf09	250Gf10	250Gf11	250Gf12
125-280						250Gg06		250Gg08	250Gg09	250Gg10	250Gg11	250Gg12
125-350									280Hi09	280Hi10	280Hi11	280Hi12
125-380											315Hi11	
150-225						280Hf06		280Hf08	280Hf09	280Hf10	280Hf11	280Hf12
150-280								280Hi08	280Hi09	280Hi10	280Hi11	280Hi12
150-300										280Lj10	280Lj11	
150-350									280Li09	280Li10	280Li11	280Li12
150-380												
200-300											350Mq11	
200-350									350Mi09	350Mi10	350Mi11	
200-380												
200-500												
250-315										400Ms10	400Ms11	
250-360											450Mn11	
250-380												
300-300											510N11p	
300-310												
300-350												
300-400												
350-350												

Pump size	Motor frame size												
	180L	200L	225S	225M	250M	280S	280M	315S	315M	315L	355M	355L	355X
32-130.1-2P													
32-130.1-4P													
32-130-2P													
32-130-4P													
32-165.1-2P													
32-165.1-4P													
32-180-2P													
32-180-4P													
32-205.1-2P													
32-205.1-4P													
40-130-2P													
40-130-4P													
40-180-2P													
40-180-4P													
40-220-2P		180Ed14											
40-220-4P													
40-225-2P		180Ed14											
40-225-4P													
50-130-2P													
50-130-4P													
50-225-2P		180Ee14		180Ee16									
50-225-4P													
50-280-2P		180Ee14		180Ee16	180Ee17	180Ee18							
50-280-4P													
50-350													
65-130-2P													
65-130-4P													
65-180-2P													
65-180-4P													
65-225-2P		200Fe14		200Fh16	200Fh17								
65-225-4P													
65-280													
80-180-2P		160Db14											
80-180-4P													
80-225-2P		200Gf14		200Gf16	200Gf17	200Gf18	200Gf19						
80-225-4P													
80-280													
80-350	250Gg13	250Gg14											
100-180-2P		180Fd14											
100-180-4P													
100-225-2P		225Gf14		225Gf16	225Gf17	225Gf18	225Gf19						
100-225-4P													
100-280	225Gg13												
100-350	250Gg13	250Gg14	250Gg15										
100-380	280Hi13	280Hi14	280Hi15	280Hi16	280Hi17	280Hi18	280Hi19	280Hi20					
125-180-2P		200Fb14		200Fb16	200Fb17								
125-180-4P													
125-225	250Gf13												
125-280	250Gg13	250Gg14											
125-350	280Hi13	280Hi14	280Hi15	280Hi16	280Hi17								
125-380	315Hi13	315Hi14	315Hi15	315Hi16	315Hi17	315Hi18	315Hi19	315Hi20					
150-225	280Hf13	280Hf14											

Pump size	Motor frame size												
	180L	200L	225S	225M	250M	280S	280M	315S	315M	315L	355M	355L	355X
150-280	280Hi13	280Hi14	280Hi15	280Hi16									
150-300	280Lj13	280Lj14	280Lj15	280Lj16	280Lj17								
150-350	280Li13	280Li14	280Li15	280Li16	280Li17	280Li18	280Li19						
150-380	315Lk13	315Lk14	315Lk16		315Lk17	315Lk18	315Lk19	315Lk20	315Lk22	315Lk22			
200-300	350Mq13	350Mq14	350Mq15	350Mq16	350Mq17	350Mq18							
200-350	350Mi13	350Mi14	350Mi15	350Mi16	350Mi17	350Mi18	350Mi19	350Mi20	350Mi22	350Mi22			
200-380	400M13k	400M14k	400M16k		400M17k	400M18k	400M19k	400M20k	400M22k	400M22k			
200-500				400Mk17	400Mk18	400Mk19	400Mk20	400Mk22	400Mk22	400Mk24	400Mk24	400Mk25	
250-315	400Ms13	400Ms14	400Ms15	400Ms16	400Ms17	400Ms18	400Ms19						
250-360	450Mn13	450Mn14	450Mn15	450Mn16	450Mn17	450Mn18	450Mn19	450Mn20	450Mn22	450Mn22			
250-380	450Mm14		450Mm16		450Mm17	450Mm18	450Mm19	450Mm20	450Mm22	450Mm22			
300-300	510N13p	510N14p	510N16p		510N17p	510N18p	510N19p	510N20p	510N22p	510Np22			
300-310	510Np13	510Np14	510Np16		510Np17	510Np18	510Np19	510Np20	510Np22	510Np22			
300-350				450Ms16	450Ms17	450Ms18	450Ms19	450Ms20	450Ms22	450Ms22	450Ms24	450Ms24	
300-400							450Kr19	450Kr20	450Kr22	450Kr22	450Kr24	450Kr24	450Kr25
350-350				560Jl16	560Jl17	560Jl18	560Jl19	560Jl20	560Jl22	560Jl22			

Step 3: Use the base frame code and the pump version code to find the needed base frame.



Pump version code

Base frame code	Pump versions			
	A1, I1, Y1		G1, H1, W1	
	BF code	Spare PN	BF code	Spare PN
112Aa01	200	92728727		
112Aa02	201	92728728		
112Aa03	202	92728729		
112Aa04	203	92728730		
112Aa05	204	92728731		
112Aa06	205	92728732		
112Aa08	206	92728733		
132Ca01	207	92728734		
132Ca01-1				
132Ca02	208	92728735		
132Ca02-1				
132Ca03	209	92728736		
132Ca03-1				
132Cb03	210	92728737		
132Cb04	211	92728738		
132Cb04-1				
132Cb05	212	92728739		
132Cb05-1				
132Cb06	213	92728740		
132Cb06-1				
132Cb08	214	92728741		
132Cb08-1				
132Ca04,	215	92728742		
132Ca04-1				
132Ca05	216	92728744		
132Ca05-1 ¹⁸⁶⁾				
132Ca06	217	92728745		
132Ca08	218	92728746		

Base frame code	Pump versions			
	A1, I1, Y1		G1, H1, W1	
	BF code	Spare PN	BF code	Spare PN
160Ca01	219	92728747		
160Ca02	220	92728748		
160Ca03	221	92728749		
160Ca04	222	92728750		
160Cb05	223	92728751		
160Cb06	224	92728752		
160Cb08	225	92728753		
160Cb10	226	92728754		
112Ba01	227	92728755		
112Ba02	228	92728756		
112Ba03	229	92728757		
112Bb03	230	92728758		
112Bb04	231	92728759		
112Bb05	232	92728760		
112Bb06	233	92728761		
112Bb08	234	92728762		
112Bb10 ¹⁸⁶⁾	235	92728763		
132Cb10	236	92728764		
132Cb10-1				
180Eb02	237	92728765		
180Eb03	238	92728766		
180Eb04	239	92728767		
180Eb05	240	92728768		
180Eb07	241	92728769		
180Eb08	242	92728775		
180Ed08			243	92728770

Base frame code	Pump versions			
	A1, I1, Y1		G1, H1, W1	
	BF code	Spare PN	BF code	Spare PN
180Ed10			244	92728771
180Ed11			245	92728772
180Ed12			246	92728773
180Ed14			247	92728774
180Ee08	248	92728776		
180Ee10	249	92728777		
180Ee11	250	92728778		
180Ee12	251	92728779		
180Ee14	252	92728780		
180Ee16	253	92728781		
180Eb09	254	92728782		
180Eb10	255	92728783		
180Ee17	256	92728784		
180Ee18	257	92728785		
225Fg05	258	92728786		
225Fg07	259	92728787		
225Fg08	260	92728788		
225Fg09	261	92728789		
225Fg10	262	92728790		
225Fg11	263	92728791		
225Fg12	264	92728792		
160Da02 160Da02-1	265	92728793		
160Da03 160Da03-1	266	92728794		
160Da04 160Da04-1	267	92728795		
160Da05 160Da05-1	268	92728796		
160Db06 160Db06-1	269	92728797		
160Db08 160Db08-1	270	92728798		
160Db10 160Db10-1	271	92728799		
160Db11 160Db11-1	272	92728800		
160Da07	273	92728801		
160Db05	274	92728802		
160Db12 160Db12-1 ¹⁸⁶⁾	275	92728803		
200Fb02	276	92728804		
200Fb03	277	92728805		
200Fb04	278	92728806		
200Fb05	279	92728807		
200Fb06	280	92728808		
200Fb07	281	92728809		
200Fb08	282	92728810		
200Fb09	283	92728811		
200Fe10	284	92728812		
200Fe11	285	92728813	288	92728975
200Fe12	286	92728814	289	92728976
200Fe14	287	92728815	290	92728977
200Fh16			291	92728816

Base frame code	Pump versions			
	A1, I1, Y1		G1, H1, W1	
	BF code	Spare PN	BF code	Spare PN
200Fh17			292	92728817
200Fg03	293	92728818		
200Fg04	294	92728819		
200Fg05	295	92728820		
200Fg06	296	92728821		
200Fg07	297	92728822		
200Fg08	298	92728823		
200Fg09	299	92728824		
200Fg10	300	92728825		
160Db14	301	92728826		
200Gc03	302	92728827		
200Gc04	303	92728828		
200Gc05	304	92728829		
200Gc06	305	92728830		
200Gc07	306	92728831		
200Gc08	307	92728832		
200Gc09	308	92728833		
200Gc10	309	92728834		
200Gf11	310	92728835		
200Gf12	311	92728836		
200Gf14	312	92728837		
200Gf16	313	92728838		
200Gf17	314	92728839		
200Gf18	315	92728840		
200Gf19	316	92728841		
200Gg04	317	92728842		
200Gg05	318	92728843		
200Gg06	319	92728844		
200Gg07	320	92728845		
200Gg08	321	92728846		
200Gg09	322	92728847		
200Gg10	323	92728848		
200Gg11	324	92728849		
250Gg06	325	92728850		
250Gg08	326	92728851		
250Gg09	327	92728852		
250Gg10	328	92728853		
250Gg11	329	92728854		
250Gg12	330	92728855		
250Gg13	331	92728856		
250Gg14	332	92728857		
180Fb02	333	92728859		
180Fb03	334	92728860		
180Fb04	335	92728861		
180Fb05	336	92728862		
180Fb07	337	92728863		
180Fb08	338	92728864		
180Fb10	339	92728865	342	92728978
180Fb11	340	92728866	343	92728979
180Fb12	341	92728867	344	92728980
180Fd14			345	92728868
225Gc04	346	92728869		
225Gc05	347	92728870		

Base frame code	Pump versions			
	A1, I1, Y1		G1, H1, W1	
	BF code	Spare PN	BF code	Spare PN
225Gc06	348	92728871		
225Gc07	349	92728872		
225Gc08	350	92728873		
225Gc09	351	92728874		
225Gc10	352	92728875		
225Gc11	353	92728876		
225Gf12	354	92728877		
225Gf14	355	92728878		
225Gf16	356	92728879		
225Gf17	357	92728890		
225Gf18	358	92728891		
225Gf19	359	92728892		
225Gg05	360	92728893		
225Gg06	361	92728894		
225Gg08	362	92728895		
225Gg09	363	92728896		
225Gg10	364	92728897		
225Gg11	365	92728898		
225Gg12	366	92728899		
225Gg13	367	92728900		
250Gg15	368	92728901		
280Hi09	369	92728902		
280Hi10	370	92728903		
280Hi11	371	92728904		
280Hi13	372	92728905		
280Hi14	373	92728906		
280Hi15	374	92728907		
280Hi16	375	92728908		
280Hi17	376	92728909		
280Hi18	377	92728910		
280Hi19	378	92728911		
280Hi20	379	92728912		
200Fb10	380	92728913		
200Fb11	381	92728914		
200Fb12	382	92728916		
200Fb14	383	92728917		
200Fb16	384	92728918		
200Fb17	385	92728919		
250Gf05	386	92728921		
250Gf06	387	92728922		
250Gf08	388	92728923		
250Gf09	389	92728924		
250Gf10	390	92728925		
250Gf11	391	92728926		
250Gf12	392	92728927		
250Gf13	393	92728928		
280Hi12	394	92728929		
315Hi11	395	92728930		
315Hi13	396	92728931		
315Hi14	397	92728932		
315Hi15	398	92728933		
315Hi16	399	92728934		
315Hi17	400	92728935		

Base frame code	Pump versions			
	A1, I1, Y1		G1, H1, W1	
	BF code	Spare PN	BF code	Spare PN
315Hi18	401	92728936		
315Hi19	402	92728937		
315Hi20	403	92728938		
280Hf06	404	92728939		
280Hf08	405	92728940		
280Hf09	406	92728941		
280Hf10	407	92728942		
280Hf11	408	92728943		
280Hf12	409	92728944		
280Hf13	410	92728945		
280Hf14	411	92728946		
280Hi08	412	92728947		
280Li09	413	92728948		
280Li10	414	92728949		
280Li11	415	92728950		
280Li12	416	92728951		
280Li13	417	92728952		
280Li14	418	92728953		
280Li15	419	92728954		
280Li16	420	92728955		
280Li17	421	92728956		
280Li18	422	92728957		
280Li19	423	92728958		
315Lk13	424	92728959		
315Lk14	425	92728960		
315Lk16	426	92728961		
315Lk17	427	92728962		
315Lk18	428	92728963		
315Lk19	429	92728964		
315Lk20	430	92728965		
315Lk22	431	92728966		
450Mm14	432	92728967		
450Mm16	433	92728968		
450Mm17	434	92728969		
450Mm18	435	92728970		
450Mm19	436	92728971		
450Mm20	437	92728972		
450Mm22	438	92728973		
132Ca10	439	92728974		
280H09i	440	92837598		
280H10i	441	92837599		
280H11i	442	92837600		
280H12i	443	92837601		
280H13i	444	92837602		
280H14i	445	92837603		
280H15i	446	92837604		
280H16i	447	92837605		
280H17i	448	92837606		
280H18i	449	92837607		
280Lj10	450	92837609		
280Lj11	451	92837610		
280Lj13	452	92837611		
280Lj14	453	92837612		

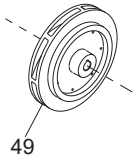
Base frame code	Pump versions			
	A1, I1, Y1		G1, H1, W1	
	BF code	Spare PN	BF code	Spare PN
280Lj15	454	92837613		
280Lj16	455	92837614		
280Lj17	456	92837615		
350Mq11	457	92837616		
350Mq13	458	92837617		
350Mq14	459	92837618		
350Mq15	460	92837619		
350Mq16	461	92837620		
350Mq17	462	92837621		
350Mq18	463	92837622		
350Mi09	464	92837623	476	92837636
350Mi10	465	92837624	477	92837637
350Mi11	466	92837625	478	92837638
350Mi13	467	92837626	479	92837639
350Mi14	468	92837627	480	92837640
350Mi15	469	92837628	481	92837641
350Mi16	470	92837629	482	92837642
350Mi17	471	92837630	483	92837643
350Mi18	472	92837631	484	92837644
350Mi19	473	92837633	485	92837645
350Mi20	474	92837634	486	92837646
350Mi22	475	92837635	487	92837647
400M13k	488	92837648		
400M14k	489	92837649		
400M16k	490	92837651		
400M17k	491	92837652		
400M18k	492	92837653		
400M19k	493	92837654		
400M20k	494	92837655		
400M22k	495	92837656		
400Mk17	496	92837657		
400Mk18	497	92837658		
400Mk19	498	92837659		
400Mk20	499	92837660		
400Mk22	500	92837661		
400Mk24	501	92837662		
400Mk25	502	92837663		
400Ms10	503	92837664		
400Ms11	504	92837665		
400Ms13	505	92837666		
400Ms14	506	92837667		
400Ms15	507	92837668		
400Ms16	508	92837669		
400Ms17	509	92837670		
400Ms18	510	92837671		
400Ms19	511	92837672		
450Mn11	512	92837673		
450Mn13	513	92837674		
450Mn14	514	92837675		
450Mn15	515	92837676		
450Mn16	516	92837677		
450Mn17	517	92837678		
450Mn18	518	92837679		

Base frame code	Pump versions			
	A1, I1, Y1		G1, H1, W1	
	BF code	Spare PN	BF code	Spare PN
450Mn19	519	92837680		
450Mn20	520	92837681		
450Mn22	521	92837682		
510N11p	522	92837683		
510N13p	523	92837684		
510N14p	524	92837685		
510N16p	525	92837686		
510N17p	526	92837687		
510N18p	527	92837688		
510N19p	528	92837689		
510N20p	529	92837690		
510N22p	530	92837691		
510Np13	531	92837692		
510Np14	532	92837693		
510Np16	533	92837694	533	92837694
510Np17	534	92837695	534	92837695
510Np18	535	92837696	535	92837696
510Np19	536	92837697	536	92837697
510Np20	537	92837698	537	92837698
510Np22	538	92837699	538	92837699
450Ms16	546	92837700		
450Ms17	547	92837701		
450Ms18	548	92837702	548	92837702
450Ms19	549	92837703	549	92837703
450Ms20	550	92837704	550	92837704
450Ms22	551	92837705	551	92837705
450Ms24			552	92837706
450Kr19	557	92837707		
450Kr20	558	92837708		
450Kr22	559	92837709	559	92837709
450Kr24	560	92837710	560	92837710
450Kr25			563	92837711
560Jl16	564	92837712		
560Jl17	565	92837713		
560Jl18	566	92837714	566	92837714
560Jl19	567	92837715	567	92837715
560Jl20	568	92837716	568	92837716
560Jl22	569	92837717	569	92837717
160Ca05 ¹⁸⁶⁾	580	93018583		
112Ba04 ¹⁸⁶⁾	581	93018585		

¹⁸ Only for E-pump.

e)

Spare - Impeller



TM078777

Spare - Impeller

49: Impeller

IMPORTANT! When ordering a spare impeller and the required trim falls between one of those mentioned in the overview, please inform Grundfos about the following nameplate data:

- pump type and size (pos.1)
- actual impeller trim, as indicated after the pump size (pos.2)
- product number and production serial number (PN-SN) (pos.3).

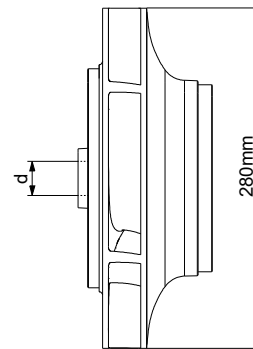
See the nameplate and impeller examples below.

This enables Grundfos to produce an exact match of the installed impeller.

Cylindrical trim impeller

Type/Model		GRUNDFOS DK-8850 Bjerringbo Denmark	
NK 65-280/280ASA2F2\$KESBQQENW3			
PN-SN 99431975-00010000	PC P32132	R2	
Q 108.9m ³ /h	H 34.6m	n 1450min ⁻¹	
MEI ≥ 0.70	PEI _{ca} 0.89	50 Hz	η _p 77.1%
p/t 16/120bar/°C _{MAX}		Imp.Dia. 11.02(in.)	
Made in China			
CE		10	
		92712786	

TM083011

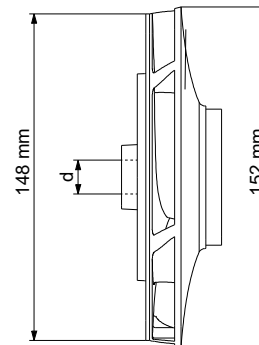


TM083028

Angle trim impeller

Type/Model		GRUNDFOS DK-8850 Bjerringbo Denmark	
NK 125-180/152-148AA F2\$KESBQQENW3			
PN-SN 99431975-00010001	PC P32240	R2	
Q 230 m ³ /h	H 17.8m	n 2950min ⁻¹	
MEI ≥ 0.70	PEI _{ca} 0.89	50 Hz	η _p 81.2%
p/t 16/120bar/°C _{MAX}		Imp.Dia. 5.98-5.83(in.)	
Made in China			
CE		10	
		Reserved QR code	
		92712786	

TM083030



TM083029

Pump size	Pole	Hz	P2 [kW]	Hz	P2 [kW]	Actual impeller trim [mm]	Pump material code			Impeller bore, d [mm]		
							S3, S4, S5, SB, SC, SD, SI, SK	S8, S9, SG, SH, SJ, SL	T2, T3, TA, TB			
							Impeller material					
		304 (1.4308)	316 (1.4408)	904 (1.4517)								
32-130	2	50	-	60	1.5	105	92995132	92995408	92995684	15		
		50	1.1	60	-	111	92995133	92995409	92995685	15		
		50	-	60	2.2	115	92995134	92995410	92995686	15		
		50	1.5	60	-	121	92995135	92995411	92995687	15		
		50	-	60	3	126	92995136	92995412	92995688	15		
		50	2.2	60	-	135	92995139	92995415	92995691	15		
		50	-	60	4	137	92995140	92995416	92995692	15		
	4	50	3	60	5.5	142	92995141	92995417	92995693	15		
		50	-	60	0.25	121	92995135	92995411	92995687	15		
		50	0.25	60	-	133	92995137	92995413	92995689	15		
		50	-	60	0.37	134	92995138	92995414	92995690	15		
		50	0.37	60	0.55	142	92995141	92995417	92995693	15		
		32-130.1	2	50	-	60	1.1	96	92995142	92995418	92995694	15
				50	0.75	60	-	100	92995143	92995419	92995695	15
50	-			60	1.5	108	92995144	92995420	92995696	15		
50	1.1			60	-	114	92995145	92995421	92995697	15		
50	-			60	2.2	119	92995146	92995422	92995698	15		
50	1.5			60	-	124	92995147	92995423	92995699	15		
50	-			60	3	128	92995149	92995425	92995701	15		
4	50		2.2	60	-	140	92995152	92995428	92995704	15		
	50		-	60	4	142	92995153	92995429	92995706	15		
	50		3	60	5.5	144	92995154	92995440	92995707	15		
	50		-	60	0.25	-350	92995148	92995424	92995700	15		
	50		0.25	50	-	135	92995150	92995426	92995702	15		
	50		-	60	0.37	139	92995151	92995427	92995703	15		
	50		0.37	60	0.55	144	92995154	92995440	92995707	15		
32-165.1	2	50	-	60	2.2	137	92995155	92995441	92995708	22		
		50	1.5	60	-	141	92995156	92995442	92995709	22		
		50	-	60	3	146	92995157	92995443	92995710	22		
		50	2.2	60	-	156	92995159	92995445	92995712	22		
		50	-	60	4	158	92995160	92995446	92995713	22		
		50	3	60	-	168	92995163	92995449	92995716	22		
		60	5.5	60	5.5	171	92995164	92995450	92995717	22		
	4	50	4	60	7.5	177	92995165	92995451	92995718	22		
		50	0.25	60	-	151	92995158	92995444	92995711	15		
		50	-	60	0.37	151	92995158	92995444	92995711	15		
		50	-	60	0.55	164	92995161	92995447	92995714	15		
		50	0.37	60	-	167	92995162	92995448	92995715	15		
		50	0.55	60	0.75	177	92999213	92999221	92999229	15		

Pump size	Pole	Hz	P2 [kW]	Hz	P2 [kW]	Actual impeller trim [mm]	Pump material code			Impeller bore, d [mm]		
							S3, S4, S5, SB, SC, SD, SI, SK	S8, S9, SG, SH, SJ, SL	T2, T3, TA, TB			
							Impeller material					
							304 (1.4308)	316 (1.4408)	904 (1.4517)			
32-180	2	50	1.5	60	-	123	92745124	92745513	92745894	15		
		50	-	60	2.2	118	92745123	92745512	92745893	15		
		50	-	60	3	128	92745122	92745511	92745892	15		
		50	-	60	4	142	92745121	92745510	92745891	15		
		50	-	60	5.5	154	92745120	92745509	92745890	15		
		50	2.2	60	-	140	92745099	92745508	92745889	15		
		50	3	60	-	152	92745098	92745507	92745888	15		
		50	4	60	-	166	92745097	92745506	92745887	15		
		50	-	60	7.5	169	92526548	92526565	92553811	15		
		50	5.5	60	11	177	92526547	92526564	92553810	15		
	4	50	0.25	60	-	138	92745129	92745517	92745898	15		
		50	-	60	0.37	137	92745128	92745516	92745897	15		
		50	0.37	60	-	159	92745126	92745515	92745896	15		
		50	0.55	60	-	174	92745125	92745514	92745895	15		
		50	-	60	0.55	145	92526562	92526570	92553815	15		
		50	-	60	0.75	155	92526549	92526566	92553812	15		
		50	0.75	60	1.1	177	92526547	92526564	92553810	15		
		32-205.1	2	50	-	60	4	162	92995166	92995452	92995719	22
				50	3	60	-	176	92995169	92995455	92995722	22
				50	-	60	5.5	179	92995170	92995456	92995723	22
50	4			60	-	189	92995172	92995458	92995725	22		
50	-			60	7.5	193	92995174	92995460	92995727	22		
4	50		5.5	60	-	205	92995176	92995462	92995729	22		
	50		7.5	60	11	207	92995177	92995463	92995730	22		
	50		-	60	0.55	165	92995167	92995453	92995720	15		
	50		0.37	60	-	174	92995168	92995454	92995721	15		
	50		-	60	0.75	184	92995171	92995457	92995724	15		
40-130	2	50	0.55	60	-	192	92995173	92995459	92995726	15		
		50	-	60	1.1	203	92995175	92995461	92995728	15		
		50	0.75	60	1.5	207	92999212	92999220	92999228	15		
		50	1.5	60	-	108	92995192	92995478	92995756	22		
		50	-	60	3	113	92995193	92995479	92995757	22		
	4	50	2.2	60	-	122	92995195	92995481	92995760	22		
		50	-	60	4	123	92995196	92995482	92995761	22		
		50	3	60	-	131	92995198	92995484	92995763	22		
		50	-	60	5.5	132	92995199	92995485	92995764	22		
		50	4	60	-	140	92995202	92995488	92995767	22		
4	50	5.5	60	7.5	142	92995203	92995489	92995769	22			
	50	-	60	0.37	119	92995194	92995480	92995759	15			
	50	0.25	60	-	122	92998209	92999217	92999225	15			
	50	-	60	0.55	130	92995197	92995483	92995762	15			
	50	0.37	60	-	135	92995200	92995486	92995765	15			
50	-	60	0.75	138	92995201	92995487	92995766	15				
50	0.55	60	1.1	142	92998208	92999216	92999224	15				

Pump size	Pole	Hz	P2 [kW]	Hz	P2 [kW]	Actual impeller trim [mm]	Pump material code			Impeller bore, d [mm]
							S3, S4, S5, SB, SC, SD, SI, SK	S8, S9, SG, SH, SJ, SL	T2, T3, TA, TB	
							Impeller material			
							304 (1.4308)	316 (1.4408)	904 (1.4517)	
40-180	2	50	2.2	60	-	112	92745135	92745523	92745904	22
		50	-	60	4	116	92745134	92745522	92745903	22
		50	3	60	-	125	92745133	92745521	92745902	22
		-	3 ¹⁸⁷⁾	-	-	154	93048455	93048456	93048457	22
		50	4	60	-	140	92745132	92745520	92745901	22
		50	5.5	60	-	155	92745131	92745519	92745900	22
		50	7.5	60	-	173	92745130	92745518	92745899	22
		50	-	60	5.5	128	92526576	92526587	92553820	22
		50	-	60	7.5	142	92526574	92526586	92553819	22
	4	50	-	60	11	160	92526573	92526585	92553818	22
		50	11	60	15	176	92526572	92526584	92553817	22
		50	0.55	60	-	145	92745138	92745526	92745907	15
		50	0.75	60	-	162	92745137	92745525	92745906	15
		50	-	60	1.5	165	92745136	92745524	92745905	15
		50	-	60	0.55	118	92526582	92526594	92553826	15
		50	0.37	60	0.75	130	92526581	92526593	92553825	15
		50	-	60	1.1	150	92526580	92526592	92553824	15
		50	-	60	-	166	92526579	92526591	92553823	15
40-220	2	50	1.1	60	2.2	176	92526578	92526590	92553822	15
		50	5.5	60	-	172	92745143	92745531	92745912	22
		50	-	60	11	182	92745142	92745530	92745911	22
		50	7.5	60	-	192	92745141	92745529	92745910	22
		50	11	60	-	212	92745140	92745528	92745909	22
		50	15	60	-	244	92745139	92745527	92745908	22
		50	-	60	15	198	92526599	92526610	92553830	22
		50	-	60	18.5	210	92526598	92526609	92553829	22
		50	-	60	22	224	92526597	92526608	92553828	22
	4	50	18.5	60	30	250	92526596	92526606	92553827	22
		50	0.55	60	-	167	92745150	92745537	92745918	22
		50	-	60	1.1	169	92745149	92745536	92745917	22
		50	0.75	60	-	179	92745148	92745535	92745916	22
		50	1.1	60	-	200	92745147	92745534	92745915	22
		50	1.5	60	-	218	92745146	92745533	92745914	22
		50	-	60	3	239	92745145	92745532	92745913	22
		50	-	60	1.5	184	92526604	92526614	92553834	22
		50	-	60	2.2	206	92526603	92526613	92553833	22
50	2.2	60	4	250	92526602	92526612	92553832	22		

Pump size	Pole	Hz	P2 [kW]	Hz	P2 [kW]	Actual impeller trim [mm]	Pump material code			Impeller bore, d [mm]
							S3, S4, S5, SB, SC, SD, SI, SK	S8, S9, SG, SH, SJ, SL	T2, T3, TA, TB	
							Impeller material			
							304 (1.4308)	316 (1.4408)	904 (1.4517)	
40-225	2	50	5.5	60	-	158	92745157	92745544	92745925	22
		50	7.5	60	-	173	92745156	92745543	92745924	22
		50	-	60	15	177	92745155	92745542	92745923	22
		50	11	60	-	192	92745154	92745541	92745922	22
		50	-	60	22	199	92745153	92745540	92745921	22
		50	15	60	-	210	92745152	92745539	92745920	22
		50	18.5	60	-	230	92745151	92745538	92745919	22
		50	-	60	11	164	92526621	92526631	92553841	22
		50	-	60	18.5	190	92526619	92526629	92553839	22
		50	-	60	30	224	92526617	92526627	92553837	22
	4	50	22	60	37	246	92526616	92526626	92553836	22
		50	0.75	60	-	162	92745163	92745550	92745931	22
		50	1.1	60	-	182	92745162	92745549	92745930	22
		50	1.5	60	-	199	92745161	92745548	92745929	22
		50	-	60	3	212	92745160	92745547	92745928	22
		50	2.2	60	-	226	92745159	92745546	92745927	22
		50	-	60	4	229	92745158	92745545	92745926	22
		50	-	60	1.5	166	92526625	92526635	92553845	22
		50	-	60	2.2	186	92526624	92526634	92553844	22
		50	3	60	5.5	250	92526622	92526632	92553842	22
50-130	2	50	-	60	4	106	92995204	92995490	92995770	22
		50	3	60	-	113	92995206	92995492	92995772	22
		50	-	60	5.5	114	92995207	92995493	92995773	22
		50	4	60	-	124	92995209	92995495	92995775	22
		50	-	60	7.5	125	92995210	92995496	92995776	22
		50	5.5	60	-	135	92995213	92995499	92995779	22
		50	-	60	11	140	92995215	92995501	92995781	22
	4	50	7.5	60	15	142	92995216	92995502	92995782	22
		50	-	60	0.55	110	92995205	92995491	92995771	15
		50	0.37	60	-	113	92999211	92999219	92999227	15
		50	-	60	0.75	120	92995208	92995494	92995774	15
		50	0.55	60	-	129	92995211	92995497	92995777	15
		50	-	60	1.1	134	92995212	92995498	92995778	15
		50	0.75	60	-	138	92995214	92995500	92995780	15
50	1.1	60	1.5	142	92999210	92999218	92999226	15		

Pump size	Pole	Hz	P2 [kW]	Hz	P2 [kW]	Actual impeller trim [mm]	Pump material code			Impeller bore, d [mm]
							S3, S4, S5, SB, SC, SD, SI, SK	S8, S9, SG, SH, SJ, SL	T2, T3, TA, TB	
							Impeller material			
							304 (1.4308)	316 (1.4408)	904 (1.4517)	
50-225	2	50	5.5	60	-	139	92745171	92745558	92745939	30
		50	7.5	60	-	151	92843505	92843509	92843643	30
		50	-	60	11	145	92745170	92745557	92745938	30
		50	-	60	15	159	92745169	92745556	92745937	30
		50	-	60	18.5	171	92745168	92745555	92745936	30
		50	-	60	22	181	92745167	92745554	92745935	30
		50	15	60	-	193	92745166	92745553	92745934	30
		50	18.5	60	-	208	92745165	92745552	92745933	30
		50	22	60	-	225	92745164	92745551	92745932	30
		50	11	60	-	172	92526641	92526653	92553851	30
	4	50	-	60	30	204	92526639	92526651	92553849	30
		50	-	60	37	220	92843506	92843640	92843644	30
		50	30	60	45	240	92526636	92526648	92553846	30
		50	0.75	60	-	144	92745178	92745565	92745946	22
		-	0.75 ¹⁸⁷⁾	-	-	189	93048476	93048477	93048478	22
		50	1.1	60	-	160	92745177	92745564	92745945	22
		-	1.1 ¹⁸⁷⁾	-	-	227	93048473	93048474	93048475	22
		50	1.5	60	-	181	92745176	92745563	92745944	22
		50	-	60	3	184	92745175	92745562	92745943	22
		50	2.2	60	-	207	92745174	92745561	92745942	22
50-280	2	50	-	60	22	189	92995218	92995504	92995784	30
		50	15	60	-	197	92995219	92995505	92995785	30
		50	-	60	30	206	92995220	92995506	92995786	30
		50	18.5	60	-	209	92995221	92995507	92995787	30
		50	22	60	-	219	92995222	92995508	92995788	30
		50	-	60	37	219	92995222	92995508	92995788	30
		50	-	60	45	232	92995223	92995509	92995789	30
		50	30	60	-	239	92995224	92995510	92995790	30
		50	-	60	55	251	92995225	92995511	92995791	30
		50	37	60	75	262	92995217	92995503	92995783	30
50-350	4	50	2.2	60	-	208	92745183	92745570	92745951	22
		-	2.2 ¹⁸⁷⁾	-	-	241	93048458	93048459	93048460	22
		50	-	60	4	210	92745182	92745569	92745950	22
		50	3	60	-	226	92745181	92745568	92745949	22
		50	-	60	5.5	227	92745180	92745567	92745948	22
		50	4	60	-	250	92745179	92745566	92745947	22
		50	-	60	7.5	252	92526661	92526665	92553859	22
		50	5.5	60	11	262	92526660	92526664	92553858	22
		50	4	60	-	256	92745188	92745575	92745956	30
		50	5.5	60	-	278	92745187	92745574	92745955	30
50-350	4	50	-	60	11	288	92745186	92745573	92745954	30
		50	7.5	60	-	304	92745185	92745572	92745953	30
		50	-	60	15	317	92745184	92745571	92745952	30
		50	3	60	5.5	236	92526672	92526677	92553888	30
		50	-	60	7.5	258	92526671	92526676	92553887	30
		50	11	60	18.5	340-336	92526668	92526673	92553884	30

Pump size	Pole	Hz	P2 [kW]	Hz	P2 [kW]	Actual impeller trim [mm]	Pump material code			Impeller bore, d [mm]		
							S3, S4, S5, SB, SC, SD, SI, SK	S8, S9, SG, SH, SJ, SL	T2, T3, TA, TB			
							Impeller material					
							304 (1.4308)	316 (1.4408)	904 (1.4517)			
65-130	2	50	4	60	-	117-107	92995226	92995512	92995792	22		
		50	-	60	7.5	118-108	92995227	92995513	92995793	22		
		50	5.5	60	-	124	92995230	92995516	92995796	22		
		50	-	60	11	130	92995232	92995518	92995798	22		
		50	7.5	60	-	136	92995234	92995520	92995800	22		
		50	-	60	15	141	92999214	92999222	92999230	22		
		50	11	60	18.5	144	92995236	92995522	92995802	22		
		50	0.55	60	-	119	92995228	92995514	92995794	15		
		-	0.55 ¹⁸⁷⁾	-	-	131	93048488	93048489	93048490	15		
		50	-	60	1.1	122	92995229	92995515	92995795	15		
	4	50	0.75	60	-	128	92995231	92995517	92995797	15		
		-	0.75 ¹⁸⁷⁾	-	-	133	93048491	93048492	93048493	15		
		50	-	60	1.5	132	92995233	92995519	92995799	15		
		50	1.1	60	-	141	92995235	92995521	92995801	15		
		50	-	60	2.2	144	92999215	92999223	92999231	15		
		65-180	2	50	3	60	-	113	92745194	92745581	92745962	22
				50	4	60	-	124	92745193	92745580	92745961	22
				-	4 ¹⁸⁷⁾	-	-	145	93048461	93048462	93048463	22
				50	5.5	60	-	139	92745192	92745579	92745960	22
				50	7.5	60	-	154	92745191	92745578	92745959	22
50	-			60	15	159	92745190	92745577	92745958	22		
50	11			60	18.5	169	92745189	92745576	92745957	22		
50	-			60	5.5	116	92526683	92526694	92553895	22		
50	-			60	7.5	126	92526682	92526693	92553893	22		
50	-			60	11	144	92526681	92526692	92553892	22		
4	50		15	60	22	172	92526678	92526689	92553889	22		
	50		0.55	60	-	131	92745200	92745587	92745968	15		
	-		0.55 ¹⁸⁷⁾	-	-	141	93048464	93048465	93048466	15		
	50		-	60	1.1	133	92745199	92745586	92745967	15		
	50		0.75	60	-	145	92745198	92745585	92745966	15		
	50		-	60	1.5	149	92745197	92745584	92745965	15		
	50		1.1	60	-	162	92745196	92745583	92745964	15		
	50		-	60	2.2	166	92745195	92745582	92745963	15		
	50		-	60	0.75	118	92526688	92526699	92553900	15		
	50		1.5	60	3	172	92526684	92526695	92553896	15		

Pump size	Pole	Hz	P2 [kW]	Hz	P2 [kW]	Actual impeller trim [mm]	Pump material code			Impeller bore, d [mm]	
							S3, S4, S5, SB, SC, SD, SI, SK	S8, S9, SG, SH, SJ, SL	T2, T3, TA, TB		
							Impeller material				
							304 (1.4308)	316 (1.4408)	904 (1.4517)		
65-225	2	50	11	60	-	150	92745209	92745596	92745977	30	
		50	-	60	22	161	92745208	92745595	92745976	30	
		50	15	60	-	167	92745207	92745594	92745975	30	
		50	-	60	30	181	92745206	92745593	92745974	30	
		50	18.5	60	-	184	92745205	92745592	92745973	30	
		50	-	60	37	199	92745204	92745591	92745972	30	
		50	22	60	-	200	92745203	92745590	92745971	30	
		50	-	60	45	216	92745202	92745589	92745970	30	
		50	30	60	-	232	92745201	92745588	92745969	30	
		50	-	60	18.5	152	92526706	92526720	92553907	30	
	4	50	37	60	55	242	92526700	92526714	92553901	30	
		50	1.1	60	-	144	92745215	92745602	92745983	22	
		50	1.5	60	-	158	92745214	92745601	92745982	22	
		50	-	60	3	173	92745213	92745600	92745981	22	
		50	2.2	60	-	183	92745212	92745599	92745980	22	
		-	2.2 ¹⁸⁷⁾	-	-	234	93048482	93048483	93048484	22	
		50	-	60	4	186	92745211	92745598	92745979	22	
		50	3	60	-	211	92745210	92745597	92745978	22	
		50	-	60	2.2	152	92526710	92526724	92553911	22	
		50	-	60	5.5	214	92526708	92526722	92553909	22	
6	50	4	60	7.5	242	92526707	92526721	92553908	22		
	50	-	60	1.1	181	92745218	92745606	92745986	22		
	50	0.75	60	-	193	92745217	92745605	92745985	22		
	50	1.1	60	-	240	92745216	92745603	92745984	22		
	50	-	60	0.75	154	92526713	92526727	92553914	22		
	50	0.55	60	-	182	92526712	92526726	92553913	22		
	50	-	60	1.5	208	92526711	92526725	92553912	22		
	50	-	60	2.2	242	92526707	92526721	92553908	22		
	65-280	4	50	3	60	-	217	92745221	92745609	92745989	30
			50	-	60	5.5	219	92745220	92745608	92745988	30
50			5.5	60	-	270	92745219	92745607	92745987	30	
50			4	60	7.5	240	92526729	92526734	92553916	30	
50			7.5	60	11	280	92526728	92526733	92553915	30	
6		50	0.75	60	-	210	92745226	92745614	92745994	30	
		50	1.1	60	-	237	92745225	92745613	92745993	30	
		50	-	60	2.2	242	92745224	92745612	92745992	30	
		50	1.5	60	-	258	92745223	92745611	92745991	30	
		50	-	60	3	276	92745222	92745610	92745990	30	
50	-	60	1.5	214	92526732	92526737	92553919	30			
50	2.2	60	4	280	92526728	92526733	92553915	30			

Pump size	Pole	Hz	P2 [kW]	Hz	P2 [kW]	Actual impeller trim [mm]	Pump material code			Impeller bore, d [mm]
							S3, S4, S5, SB, SC, SD, SI, SK	S8, S9, SG, SH, SJ, SL	T2, T3, TA, TB	
							Impeller material			
							304 (1.4308)	316 (1.4408)	904 (1.4517)	
80-180	2	50	4	60	-	112	92745233	92745621	92746001	22
		50	5.5	60	-	123	92745232	92745620	92746000	22
		50	7.5	60	-	137	92745231	92745619	92745999	22
		50	-	60	15	141	92745230	92745618	92745998	22
		50	-	60	18.5	151	92745229	92745617	92745997	22
		50	11	60	-	153	92745228	92745616	92745996	22
		50	15	60	-	172	92745227	92745615	92745995	22
		50	-	60	11	128	92526742	92526751	92553925	22
		50	-	60	22	160	92526739	92526748	92553921	22
		50	18.5	60	30	174	92526738	92526747	92553920	22
	4	50	0.75	60	-	128	92745238	92745626	92746006	15
		-	0.75 ¹⁸⁷⁾	-	-	149	93048479	93048480	93048481	15
		50	-	60	1.5	131	92745237	92745625	92746005	15
		50	1.1	60	-	145	92745236	92745624	92746004	15
		50	1.5	60	-	165	92745235	92745623	92746003	15
		50	-	60	3	170	92745234	92745622	92746002	15
		50	-	60	1.1	120	92526746	92526755	92553929	15
		50	-	60	2.2	148	92526744	92526753	92553927	15
		50	2.2	60	4	174	92526743	92526752	92553926	15
		80-225	2	50	-	60	30	154	92745247	92745635
50	18.5			60	-	157	92745246	92745634	92746014	30
50	-			60	37	164	92745245	92745633	92746013	30
50	22			60	-	166	92745244	92745632	92746012	30
50	-			60	45	174	92745243	92745631	92746011	30
50	30			60	-	183	92745242	92745630	92746010	30
50	-			60	55	186	92745241	92745629	92746009	30
50	37			60	-	193	92745240	92745628	92746008	30
50	-			60	75	203	92745239	92745627	92746007	30
4	50		45	60	-	205	92526757	92526769	92553931	30
	50		55	60	90	225	92526756	92526768	92553930	30
	50		1.5	60	-	139	92843507	92843641	92843645	22
	50		2.2	60	-	156	92745251	92745639	92746019	22
	50		-	60	4	157	92745250	92745638	92746018	22
	50		4	60	-	190	92745249	92745637	92746017	22
	50		5.5	60	-	205	92745248	92745636	92746016	22
	50		3	60	5.5	171	92526764	92526776	92553938	22
	50		-	60	7.5	191	92526763	92526775	92553937	22
6	50	7.5	60	11	225	92526762	92526774	92553936	22	
	50	-	60	1.1	152	92745256	92745644	92746024	22	
	50	0.75	60	-	165	92745255	92745643	92746023	22	
	50	1.1	60	-	187	92745254	92745642	92746022	22	
	50	1.5	60	-	202	92745253	92745641	92746021	22	
	50	-	60	3	215	92745252	92745640	92746020	22	
	50	-	60	1.5	167	92526766	92526778	92553940	22	
	50	-	60	2.2	191	92526763	92526775	92553937	22	
	50	2.2	60	-	225	92526762	92526774	92553936	22	

Pump size	Pole	Hz	P2 [kW]	Hz	P2 [kW]	Actual impeller trim [mm]	Pump material code			Impeller bore, d [mm]
							S3, S4, S5, SB, SC, SD, SI, SK	S8, S9, SG, SH, SJ, SL	T2, T3, TA, TB	
							Impeller material			
							304 (1.4308)	316 (1.4408)	904 (1.4517)	
80-280	4	50	-	60	11	247-239	92745260	92745648	92746028	30
		50	4	60	-	214-206	92745259	92745647	92746027	30
		50	5.5	60	-	231-223	92745258	92745646	92746026	30
		50	7.5	60	-	257-249	92745257	92745645	92746025	30
		50	-	60	7.5	216-208	92526782	92526787	92553944	30
		50	11	60	15	278-270	92526780	92526785	92553942	30
	6	50	1.1	60	-	207-199	92745266	92745654	92746086	30
		50	-	60	2.2	216-208	92745265	92745653	92746085	30
		50	1.5	60	-	226-218	92745264	92745652	92746084	30
		50	-	60	3	235-227	92745263	92745651	92746083	30
		50	2.2	60	-	267-259	92745262	92745650	92746082	30
		50	-	60	4	273-265	92745261	92745649	92746081	30
		50	3	60	5.5	278-270	92526780	92526785	92553942	30
		50	5.5	60	-	219	92745273	92745661	92746103	30
80-350	4	50	7.5	60	-	243	92745272	92745660	92746102	30
		50	-	60	15	250	92745271	92745659	92746101	30
		50	-	60	18.5	268	92745270	92745658	92746100	30
		50	11	60	-	271	92745269	92745657	92746089	30
		50	-	60	22	284	92745268	92745656	92746088	30
		50	15	60	-	299	92745267	92745655	92746087	30
	6	50	-	60	11	228	92526804	92526811	92553951	30
		50	18.5	60	30	328	92526800	92526807	92553947	30
		50	2.2	60	-	240	92745278	92745666	92746108	30
		50	-	60	4	242	92745277	92745665	92746107	30
		50	3	60	-	264	92745276	92745664	92746106	30
		50	4	60	-	293	92745275	92745663	92746105	30
		50	-	60	7.5	297	92745274	92745662	92746104	30
		50	-	60	5.5	268	92526806	92526813	92553953	30
50	5.5	60	11	328	92526800	92526807	92553947	30		

Pump size	Pole	Hz	P2 [kW]	Hz	P2 [kW]	Actual impeller trim [mm]	Pump material code			Impeller bore, d [mm]	
							S3, S4, S5, SB, SC, SD, SI, SK	S8, S9, SG, SH, SJ, SL	T2, T3, TA, TB		
							Impeller material				
							304 (1.4308)	316 (1.4408)	904 (1.4517)		
100-180	2	50	7.5	60	-	126	92745283	92745671	92746113	22	
		50	11	60	-	141	92745282	92745670	92746112	22	
		50	15	60	-	153	92745281	92745669	92746111	22	
		50	-	60	30	159	92745280	92745668	92746110	22	
		50	18.5	60	-	167	92745279	92745667	92746109	22	
		50	-	60	15	130	92526819	92526831	92553958	22	
		50	-	60	18.5	140	92526818	92526830	92553957	22	
		50	-	60	22	146	92526817	92526829	92553956	22	
		50	22	60	37	172	92526814	92526827	92553954	22	
		50	1.1	60	-	138-130	92745289	92745677	92746119	22	
		-	1.1 ¹⁸⁷⁾	-	-	144	93048485	93048486	93048487	22	
		50	-	60	2.2	138	92745288	92745676	92746118	22	
		50	1.5	60	-	146	92745287	92745675	92746117	22	
		-	1.5 ¹⁸⁷⁾	-	-	160	93048467	93048468	93048469	22	
	50	-	60	3	152	92745286	92745674	92746116	22		
	50	2.2	60	-	161	92745285	92745673	92746115	22		
	50	-	60	4	163	92745284	92745672	92746114	22		
	50	-	60	1.5	130-110	92526823	92526835	92553962	22		
	50	3	60	5.5	174	92526820	92526832	92553959	22		
	50	-	60	0.75	139	92745292	92745680	92746122	22		
	50	0.55	60	-	159	92745291	92745679	92746121	22		
	50	0.75	60	-	173	92745290	92745678	92746120	22		
	50	-	60	0.55	130-122	92526826	92526838	92553965	22		
	50	0.37	60	-	140	92526825	92526837	92553964	22		
	50	-	60	1.1	156	92526824	92526836	92553963	22		
	50	1.1	60	1.5	174	92526820	92526832	92553959	22		
	100-225	2	50	22	60	-	156	92745311	92745689	92746131	30
			50	-	60	45	163	92745310	92745688	92746130	30
50			30	60	-	172	92745299	92745687	92746129	30	
50			-	60	55	175	92745298	92745686	92746128	30	
50			37	60	-	185	92745297	92745685	92746127	30	
50			-	60	75	195	92745296	92745684	92746126	30	
50			45	60	-	197	92745295	92745683	92746125	30	
50			55	60	-	215	92745294	92745682	92746124	30	
50			75	60	-	238	92745293	92745681	92746123	30	
50			-	60	90	212	92526839	92526849	92553966	30	
50			4	60	7.5	181	92843508	92843642	92843646	22	
50			-	60	5.5	161	92745316	92745694	92746136	22	
50			-	60	-	191	92745315	92745693	92746135	22	
50			5.5	60	-	204	92745314	92745692	92746134	22	
50		-	60	11	210	92745313	92745691	92746133	22		
50		7.5	60	-	235	92745312	92745690	92746132	22		
50		3	60	-	162	92526846	92526866	92553983	22		
50		-	60	15	238	92526843	92526863	92553980	22		
50		-	60	1.5	158	92745321	92745699	92746141	22		
50		1.1	60	-	177	92745320	92745698	92746140	22		
50		1.5	60	-	198	92745319	92745697	92746139	22		
50		-	60	3	210	92745318	92745696	92746138	22		
50		2.2	60	-	236	92745317	92745695	92746137	22		
50		-	60	2.2	180	92526845	92526865	92553982	22		
50		3	60	4	238	92526843	92526863	92553980	22		

Pump size	Pole	Hz	P2 [kW]	Hz	P2 [kW]	Actual impeller trim [mm]	Pump material code			Impeller bore, d [mm]
							S3, S4, S5, SB, SC, SD, SI, SK	S8, S9, SG, SH, SJ, SL	T2, T3, TA, TB	
							Impeller material			
							304 (1.4308)	316 (1.4408)	904 (1.4517)	
100-280	4	50	5.5	60	-	196	92745325	92745703	92746145	30
		50	-	60	11	204	92745324	92745702	92746144	30
		50	7.5	60	-	215	92745323	92745701	92746143	30
		50	-	60	18.5	238	92745322	92745700	92746142	30
		50	-	60	15	222	92526871	92526878	92553988	30
		50	11	60	-	240	92526870	92526877	92553987	30
		50	15	60	22	256	92526869	92526876	92553986	30
	6	50	-	60	2.2	181	92745332	92745710	92746152	30
		50	1.5	60	-	194	92745331	92745709	92746151	30
		50	-	60	3	200	92745330	92745708	92746150	30
		50	-	60	4	217	92745329	92745707	92746149	30
		50	2.2	60	-	218	92745328	92745706	92746148	30
		50	3	60	-	234	92745327	92745705	92746147	30
		50	-	60	5.5	236	92745326	92745704	92746146	30
100-350	4	50	4	60	7.5	256	92526869	92526876	92553986	30
		50	7.5	60	-	224	92745340	92745718	92746160	30
		50	-	60	15	235	92745339	92745717	92746159	30
		50	-	60	18.5	259	92745338	92745716	92746158	30
		50	11	60	-	261	92745337	92745715	92746157	30
		50	-	60	22	276	92745336	92745714	92746156	30
		50	15	60	-	290	92745335	92745713	92746155	30
	6	50	-	60	30	302	92745334	92745712	92746154	30
		50	18.5	60	-	308	92745333	92745711	92746153	30
		50	22	60	37	326	92526883	92526892	92553993	30
		50	-	60	3	212	92745348	92745726	92746168	30
		50	2.2	60	-	224	92745347	92745725	92746167	30
		50	-	60	4	229	92745346	92745724	92746166	30
		50	3	60	-	251	92745345	92745723	92746165	30
6	50	-	60	5.5	256	92745344	92745722	92746164	30	
	50	4	60	-	279	92745343	92745721	92746163	30	
	50	5.5	60	-	307	92745342	92745720	92746162	30	
	50	7.5	60	-	326	92745341	92745719	92746161	30	
	50	-	60	7.5	284	92526889	92526898	92554000	30	
	50	-	60	11	320	92526888	92526897	92553999	30	

Pump size	Pole	Hz	P2 [kW]	Hz	P2 [kW]	Actual impeller trim [mm]	Pump material code			Impeller bore, d [mm]
							S3, S4, S5, SB, SC, SD, SI, SK	S8, S9, SG, SH, SJ, SL	T2, T3, TA, TB	
							Impeller material			
							304 (1.4308)	316 (1.4408)	904 (1.4517)	
100-380	4	50	-	60	37	310	92745358	92745737	92746178	38
		50	22	60	-	313	92745357	92745736	92746177	38
		50	-	60	45	328	92745356	92745735	92746176	38
		50	30	60	-	341	92745355	92745734	92746175	38
		50	-	60	55	352	92745354	92745733	92746174	38
		50	37	60	-	367	92745353	92745731	92746173	38
		50	-	60	75	386	92745352	92745730	92746172	38
		50	45	60	-	390	92745351	92745729	92746171	38
		50	-	60	90	408	92745350	92745728	92746170	38
		50	55	60	-	415	92745349	92745727	92746169	38
	6	50	75	60	110	426	92526902	92526913	92554003	38
		50	5.5	60	-	300	92745367	92745747	92746188	38
		50	-	60	11	304	92745366	92745746	92746187	38
		50	7.5	60	-	329	92745365	92745744	92746186	38
		50	-	60	15	340	92745364	92745743	92746185	38
		50	-	60	18.5	368	92745363	92745742	92746184	38
		50	11	60	-	372	92745362	92745741	92746183	38
		50	-	60	22	388	92745361	92745740	92746182	38
		50	15	60	-	408	92745360	92745739	92746181	38
		50	18.5	60	30	426	92745359	92745738	92746180	38
125-180	2	50	11	60	-	144-116	92745371	92745751	92746192	22
		50	15	60	-	152-148	92745370	92745750	92746191	22
		50	18.5	60	-	160	92745369	92745749	92746190	22
		50	22	60	-	166	92745368	92745748	92746189	22
		50	-	60	18.5	142-114	92526929	92526942	92554019	22
		50	-	60	22	152-124	92526928	92526941	92554018	22
		50	-	60	30	154	92526927	92526940	92554017	22
		50	-	60	37	164	92526926	92526939	92554016	22
		50	-	60	45	172	92526925	92526938	92554015	22
		50	30	60	55	176	92526924	92526937	92554014	22
	4	50	-	60	3	152-138	92745375	92745755	92746196	22
		50	1.5	60	-	152-136	92745374	92745754	92746195	22
		50	2.2	60	4	158	92745373	92745753	92746194	22
		50	3	60	-	171	92745372	92745752	92746193	22
		50	-	60	2.2	138-110	92526934	92526947	92554024	22
		50	-	60	5.5	168	92526932	92526945	92554022	22
		50	4	60	7.5	176	92526931	92526944	92554021	22
		50	-	60	0.75	142-114	92745379	92745760	92746201	22
		50	0.37	60	-	152-146	92745378	92745758	92746199	22
		50	0.55	60	-	164	92745377	92745757	92746198	22
6	50	0.75	60	-	166	92745376	92745756	92746197	22	
	50	-	60	0.55	134-106	92526936	92526949	92554026	22	
	50	-	60	1.1	154	92526933	92526946	92554023	22	
	50	-	60	1.5	168	92526932	92526945	92554022	22	
	50	1.1	60	2.2	176	92526931	92526944	92554021	22	

Pump size	Pole	Hz	P2 [kW]	Hz	P2 [kW]	Actual impeller trim [mm]	Pump material code			Impeller bore, d [mm]
							S3, S4, S5, SB, SC, SD, SI, SK	S8, S9, SG, SH, SJ, SL	T2, T3, TA, TB	
							Impeller material			
							304 (1.4308)	316 (1.4408)	904 (1.4517)	
125-225	4	50	5.5	60	-	179	92745386	92745766	92746207	30
		-	5.5 ¹⁸⁷⁾	-	-	15	93048470	93048471	93048472	30
		50	-	60	11	187	92745385	92745765	92746206	30
		50	7.5	60	-	197	92745384	92745764	92746205	30
		50	-	60	15	207	92745383	92745763	92746204	30
		50	-	60	18.5	221	92745382	92745762	92746203	30
		50	11	60	-	223	92745381	92745761	92746202	30
		50	-	60	7.5	174-154	92542912	92542918	92554031	30
		50	15	60	22	232	92526950	92542914	92554027	30
	6	50	1.5	60	-	178	92745391	92745771	92746212	30
		50	-	60	3	186	92745390	92745770	92746211	30
		50	2.2	60	4	202	92745389	92745769	92746210	30
		50	3	60	-	218	92745388	92745768	92746209	30
		50	-	60	5.5	220	92745387	92745767	92746208	30
		50	-	60	2.5	174-154	92542912	92542918	92554031	30
		50	4	60	7.5	232	92526950	92542914	92554027	30
		50	7.5	60	-	204	92745396	92745777	92746217	30
		50	-	60	18.5	229	92745395	92745776	92746216	30
125-280	4	50	11	60	-	232	92745394	92745775	92746215	30
		50	-	60	22	243	92745393	92745774	92746214	30
		50	15	60	-	256	92745392	92745772	92746213	30
		50	-	60	15	212	92542923	92542930	92554037	30
		50	18.5	60	30	270	92542920	92542927	92554033	30
		50	2.2	60	-	205	92745402	92745783	92746223	30
		50	-	60	4	209	92745401	92745782	92746222	30
		50	-	60	5.5	225	92745400	92745781	92746221	30
		6	50	3	60	-	232	92745399	92745780	92746220
	50		4	60	-	251	92745398	92745779	92746219	30
	50		-	60	7.5	256	92745397	92745778	92746218	30
	50		5.5	60	11	270	92542920	92542927	92554033	30
	50		-	60	18.5	224	92745410	92745792	92746231	38
	50		11	60	-	228	92745409	92745791	92746230	38
	50		-	60	22	239	92745408	92745790	92746229	38
	50		15	60	-	253	92745407	92745789	92746228	38
	50		-	60	30	268	92745406	92745788	92746227	38
	125-350	4	50	18.5	60	-	276	92745405	92745787	92746226
50			22	60	-	289	92745404	92745785	92746225	38
50			30	60	-	319	92745403	92745784	92746224	38
50			-	60	37	287	92542936	92542945	92554043	38
50			-	60	45	305	92542935	92542944	92554042	38
50			37	60	55	333-329	92542934	92542943	92554041	38
50			4	60	-	247	92745416	92745798	92746238	38
50			5.5	60	-	275	92745415	92745797	92746237	38
50			-	60	11	286	92745414	92745796	92746236	38
6		50	7.5	60	-	301	92745413	92745795	92746235	38
		50	-	60	15	316	92745412	92745794	92746234	38
		50	11	60	-	333-329	92745411	92745793	92746233	38
		50	-	60	7.5	249	92542942	92542951	92554049	38

Pump size	Pole	Hz	P2 [kW]	Hz	P2 [kW]	Actual impeller trim [mm]	Pump material code			Impeller bore, d [mm]		
							S3, S4, S5, SB, SC, SD, SI, SK	S8, S9, SG, SH, SJ, SL	T2, T3, TA, TB			
							Impeller material					
							304 (1.4308)	316 (1.4408)	904 (1.4517)			
125-380	4	50	30	60	-	283	92745425	92745806	92746246	38		
		50	-	60	55	296	92745423	92745805	92746245	38		
		50	37	60	-	307	92745422	92745804	92746244	38		
		50	45	60	-	333	92745421	92745803	92746243	38		
		50	-	60	90	355	92745420	92745802	92746242	38		
		50	55	60	-	360	92745419	92745801	92746241	38		
		50	75	60	-	405	92745418	92745800	92746240	38		
		50	90	60	-	410	92745417	92745799	92746239	38		
		50	-	60	75	330	92542954	92542963	92554052	38		
		50	-	60	110	380	92542952	92542961	92554050	38		
	6	50	-	60	18.5	309	92745433	92745814	92746254	38		
		50	11	60	-	314	92745432	92745813	92746253	38		
		50	-	60	22	331	92745431	92745812	92746252	38		
		50	15	60	-	349	92745430	92745811	92746251	38		
		50	-	60	30	367	92745429	92745810	92746250	38		
		50	18.5	60	-	380	92745428	92745809	92746249	38		
		50	-	60	37	397	92745427	92745808	92746248	38		
		50	22	60	-	406	92745426	92745807	92746247	38		
		50	30	60	45	410	92542956	92542965	92554054	38		
		150-225	4	50	5.5	60	-	180	92745440	92745821	92746261	30
50	-			60	11	186	92745439	92745820	92746260	30		
50	7.5			60	-	196	92745438	92745819	92746259	30		
50	-			60	15	202	92745437	92745818	92746258	30		
50	11			60	-	216	92745436	92745817	92746257	30		
50	-			60	22	224	92745435	92745816	92746256	30		
50	15			60	-	238	92745434	92745815	92746255	30		
50	-			60	18.5	214	92542972	92542980	92554061	30		
50	18.5			60	30	242	92542970	92542978	92554059	30		
50	2.2			60	-	198	92745446	92745827	92746268	30		
6	50		-	60	4	199	92745445	92745826	92746267	30		
	50		3	60	-	212	92745444	92745825	92746266	30		
	50		-	60	5.5	213	92745443	92745824	92746264	30		
	50		4	60	-	233	92745442	92745823	92746263	30		
	50		-	60	7.5	235	92745441	92745822	92746262	30		
	50		5.5	60	11	242	92542970	92542978	92554059	30		
	150-280		4	50	11	60	-	214	92745453	92745834	92746275	38
				50	-	60	22	222	92745452	92745833	92746274	38
				50	15	60	-	232	92745451	92745832	92746273	38
				50	-	60	30	242	92745450	92745831	92746272	38
50		18.5		60	-	247	92745449	92745830	92746271	38		
6		50	-	60	37	258	92745448	92745829	92746270	38		
		50	22	60	-	260	92745447	92745828	92746269	38		
		50	30	60	45	273	92542986	92542992	92554067	38		
		50	3	60	-	210	92745459	92745840	92746281	38		
		50	-	60	5.5	212	92745458	92745839	92746280	38		
6	50	4	60	-	229	92745457	92745838	92746279	38			
	50	-	60	7.5	232	92745456	92745837	92746278	38			
	50	5.5	60	-	251	92745455	92745836	92746277	38			
	50	-	60	11	258	92745454	92745835	92746276	38			
	50	7.5	60	15	273	92542986	92542992	92554067	38			

Pump size	Pole	Hz	P2 [kW]	Hz	P2 [kW]	Actual impeller trim [mm]	Pump material code			Impeller bore, d [mm]
							S3, S4, S5, SB, SC, SD, SI, SK	S8, S9, SG, SH, SJ, SL	T2, T3, TA, TB	
							Impeller material			
							304 (1.4308)	316 (1.4408)	904 (1.4517)	
150-300	4	50	-	60	37	266	92994701	92995237	92995523	38
		50	22	60	-	269	92994702	92995238	92995524	38
		50	-	60	45	280	92994704	92995240	92995526	38
		50	30	60	55	289	92994706	92995242	92995528	38
		50	-	60	11	271	92994703	92995239	92995525	38
	6	50	7.5	60	-	281	92994705	92995241	92995527	38
		50	11	60	15	289	92994706	92995242	92995528	38
		50	-	60	30	234	92745467	92745848	92746289	38
		50	18.5	60	-	238	92745466	92745847	92746288	38
		50	-	60	37	251	92745465	92745846	92746287	38
150-350	4	50	22	60	-	254	92745464	92745845	92746286	38
		50	30	60	-	273	92745463	92745844	92746285	38
		50	-	60	55	284	92745462	92745843	92746284	38
		50	37	60	-	294	92745461	92745842	92746283	38
		50	45	60	-	318-314	92745460	92745841	92746282	38
		50	-	60	45	263	92543001	92543012	92554076	38
		50	-	60	75	311	92542999	92543010	92554074	38
		50	55	60	90	328-324	92542998	92543009	92554073	38
		50	4	60	-	217	92745476	92745857	92746299	38
		50	5.5	60	-	240	92745475	92745856	92746298	38
	6	50	-	60	11	246	92745474	92745855	92746296	38
		50	7.5	60	-	264	92745473	92745854	92746295	38
		50	-	60	15	271	92745472	92745853	92746294	38
		50	-	60	18.5	292	92745471	92745852	92746293	38
		50	11	60	-	301	92745470	92745851	92746292	38
		50	-	60	22	313	92745469	92745850	92746291	38
		50	15	60	-	328-324	92745468	92745849	92746290	38
		50	-	60	7.5	221	92543008	92543019	92554083	38
		50	55	60	-	308	92745484	92745865	92746307	44
		50	-	60	110	327	92745483	92745864	92746306	44
150-380	4	50	-	60	132	343	92745482	92745863	92746305	44
		50	75	60	-	350	92745481	92745862	92746304	44
		50	90	60	-	380	92745480	92745861	92746303	44
		50	-	60	160	384	92745479	92745860	92746302	44
		50	110	60	-	409	92745478	92745859	92746301	44
	6	50	132	60	-	430	92745477	92745858	92746300	44
		50	-	60	90	304	92543023	92543031	92554087	44
		50	-	60	185	402	92543020	92543028	92554084	44
		50	15	60	-	300	92745489	92745870	92746312	44
		50	18.5	60	-	329	92745488	92745869	92746311	44
6	50	22	60	-	351	92745487	92745868	92746310	44	
	50	-	60	45	377	92745486	92745867	92746309	44	
	50	30	60	-	402	92745485	92745866	92746308	44	
	50	-	60	30	316	92543027	92543035	92554091	44	
	50	-	60	37	348	92543026	92543034	92554090	44	
	50	-	60	55	408	92557190	92557191	92557192	44	
	50	37	60	75	430	92543024	92543032	92554088	44	

Pump size	Pole	Hz	P2 [kW]	Hz	P2 [kW]	Actual impeller trim [mm]	Pump material code			Impeller bore, d [mm]
							S3, S4, S5, SB, SC, SD, SI, SK	S8, S9, SG, SH, SJ, SL	T2, T3, TA, TB	
							Impeller material			
							304 (1.4308)	316 (1.4408)	904 (1.4517)	
200-300	4	50	30	60	-	273	92994708	92995244	92995530	38
		50	-	60	55	277	92994709	92995245	92995531	38
		50	37	60	-	288	92994980	92995246	92995532	38
		50	-	60	75	301	92994981	92995247	92995533	38
		50	45	60	-	304	92994982	92995248	92995534	38
	6	50	-	60	15	272	92994707	92995243	92995529	38
		50	11	60	18.5	288	92994980	92995246	92995532	38
		50	15	60	22	304	92994982	92995248	92995534	38
		50	22	60	-	239	92995003	92995269	92995555	38
		50	-	60	45	249	92995005	92995271	92995557	38
		50	30	60	-	260	92994983	92995249	92995535	38
		50	-	60	55	263	92994985	92995251	92995537	38
		50	37	60	-	276	92994986	92995252	92995538	38
		50	-	60	75	288	92994988	92995254	92995540	38
		50	45	60	-	291	92994989	92995255	92995541	38
200-350	4	50	-	60	90	304	92994992	92995258	92995544	38
		50	55	60	-	307	92994993	92995259	92995545	38
		50	-	60	110	322	92994995	92995261	92995547	38
		50	75	60	-	337	92994998	92995264	92995550	38
		50	-	60	132	338	92994999	92995265	92995551	38
	6	50	90	60	160	341	92995001	92995267	92995553	38
		50	5.5	60	-	228	92995002	92995268	92995554	38
		50	-	60	11	240	92995004	92995270	92995556	38
		50	7.5	60	-	251	92995006	92995272	92995558	38
		50	-	60	15	262	92994984	92995250	92995536	38
		50	11	60	18.5	279	92994987	92995253	92995539	38
		50	-	60	22	292	92994990	92995256	92995542	38
		50	15	60	-	303	92994991	92995257	92995543	38
		50	-	60	30	317	92994994	92995260	92995546	38
		50	18.5	60	-	323	92994996	92995262	92995548	38
6	50	-	60	37	336	92994997	92995263	92995549	38	
	50	22	60	-	339	92995000	92995266	92995552	38	
	50	-	60	45	341	92995001	92995267	92995553	38	

Pump size	Pole	Hz	P2 [kW]	Hz	P2 [kW]	Actual impeller trim [mm]	Pump material code			Impeller bore, d [mm]
							S3, S4, S5, SB, SC, SD, SI, SK	S8, S9, SG, SH, SJ, SL	T2, T3, TA, TB	
							Impeller material			
							304 (1.4308)	316 (1.4408)	904 (1.4517)	
200-380	4	50	-	60	90	310	92995009	92995275	92995561	44
		50	55	60	-	314	92995010	92995276	92995562	44
		50	-	60	110	328	92995012	92995278	92995564	44
		50	75	60	-	346	92995015	92995281	92995567	44
		50	-	60	132	347	92995016	92995282	92995568	44
		50	90	60	-	368	92995018	92995284	92995570	44
		50	-	60	160	370	92995020	92995286	92995572	44
		50	-	60	185	397	92995022	92995288	92995574	44
		50	110	60	-	400	92995023	92995289	92995575	44
		50	132	60	200	404	92995025	92995291	92995577	44
	6	50	-	60	22	298	92995007	92995273	92995559	44
		50	15	60	-	308	92995008	92995274	92995560	44
		50	-	60	30	323	92995011	92995277	92995563	44
		50	18.5	60	-	329	92995013	92995279	92995565	44
		50	-	60	37	345	92995014	92995280	92995566	44
		50	22	60	-	348	92995017	92995283	92995569	44
		50	-	60	45	369	92995019	92995285	92995571	44
		50	30	60	-	393	92995021	92995287	92995573	44
		50	-	60	55	401	92995024	92995290	92995576	44
		200-500	4	50	-	60	220	418	92995027	92995293
50	132			60	-	422	92995029	92995295	92995581	50
50	-			60	250	435	92995030	92995296	92995582	50
50	160			60	-	449	92995033	92995299	92995585	50
50	-			60	280	451	92995034	92995300	92995586	50
50	-			60	315	467	92995036	92995302	92995588	50
50	185			60	-	468	92995037	92995303	92995589	50
50	200			60	-	477	92995039	92995305	92995591	50
50	-			60	355	490	92995040	92995306	92995592	50
50	220			60	-	497	92995041	92995307	92995593	50
6	50		-	60	375	504	92995043	92995309	92995595	50
	50		250	60	-	516	92995044	92995310	92995596	50
	50		280	60	-	530	92995047	92995313	92995599	50
	50		-	60	55	405	92995026	92995292	92995578	50
	50		37	60	-	419	92995028	92995294	92995580	50
	50		-	60	75	440	92995031	92995297	92995583	50
	50		45	60	-	441	92995032	92995298	92995584	50
	50		-	60	90	465	92995035	92995301	92995587	50
	50		55	60	-	471	92995038	92995304	92995590	50
	50		-	60	110	498	92995042	92995308	92995594	50
6	50	75	60	-	521	92995045	92995311	92995597	50	
	50	-	60	132	524	92995046	92995312	92995598	50	
	50	90	60	160	530	92995047	92995313	92995599	50	

Pump size	Pole	Hz	P2 [kW]	Hz	P2 [kW]	Actual impeller trim [mm]	Pump material code			Impeller bore, d [mm]		
							S3, S4, S5, SB, SC, SD, SI, SK	S8, S9, SG, SH, SJ, SL	T2, T3, TA, TB			
							Impeller material					
							304 (1.4308)	316 (1.4408)	904 (1.4517)			
250-315	4	50	-	60	37.0	260-198	92995056	92995332	92995608	44		
		50	22	60	-	258-210	92995057	92995333	92995609	44		
		50	-	60	45.0	260-228	92995059	92995335	92995611	44		
		50	30	60	-	264	92995048	92995314	92995600	44		
		50	-	60	55.0	267	92995050	92995316	92995602	44		
		50	37	60	-	280	92995051	92995317	92995603	44		
		50	-	60	75.0	294-288	92995053	92995319	92995605	44		
		50	45	60	-	300-288	92995054	92995330	92995606	44		
		50	55	60	90.0	304-288	92995055	92995331	92995607	44		
	6	50	-	60	11	260-210	92995058	92995334	92995610	44		
		50	7.5	60	-	260-228	92995059	92995335	92995611	44		
		50	-	60	15	266	92995049	92995315	92995601	44		
		50	11	60	18.5	283	92995052	92995318	92995604	44		
		50	-	60	22	294-288	92995053	92995319	92995605	44		
		50	15	60	30	304-288	92995055	92995331	92995607	44		
		250-360	4	50	37	60	-	273	92995060	92995336	92995612	44
				50	-	60	75	287	92995062	92995338	92995614	44
				50	45	60	-	291	92995063	92995339	92995615	44
50	-			60	90	311	92995066	92995342	92995618	44		
50	55			60	-	315	92995067	92995343	92995619	44		
50	-			60	110	330	92995069	92995345	92995621	44		
6	50		75	60	-	359	92995072	92995348	92995624	44		
	50		-	60	132	359	92995072	92995348	92995624	44		
	50		90	60	160	370	92995074	92995350	92995626	44		
	50		11	60	-	275	92995061	92995337	92995613	44		
6	50	-	60	18.5	275	92995061	92995337	92995613	44			
	50	-	60	22	300	92995064	92995340	92995616	44			
	50	15	60	-	310	92995065	92995341	92995617	44			
	50	-	60	30	326	92995068	92995344	92995620	44			
	50	18.5	60	-	331	92995070	92995346	92995622	44			
	50	-	60	37	358	92995071	92995347	92995623	44			
	50	22	60	-	360	92995073	92995349	92995625	44			
	50	30	60	45	370	92995074	92995350	92995626	44			

Pump size	Pole	Hz	P2 [kW]	Hz	P2 [kW]	Actual impeller trim [mm]	Pump material code			Impeller bore, d [mm]
							S3, S4, S5, SB, SC, SD, SI, SK	S8, S9, SG, SH, SJ, SL	T2, T3, TA, TB	
							Impeller material			
							304 (1.4308)	316 (1.4408)	904 (1.4517)	
250-380	4	50	55	60	-	302	92745498	92745879	92746321	44
		50	-	60	110	315	92745497	92745878	92746320	44
		50	75	60	-	333	92745496	92745877	92746319	44
		50	-	60	132	334	92745495	92745876	92746318	44
		50	90	60	-	353	92745494	92745875	92746317	44
		50	-	60	160	357	92745493	92745874	92746316	44
		50	-	60	185	373	92745492	92745873	92746315	44
		50	132	60	-	404	92745491	92745872	92746314	44
		50	160	60	-	416	92745490	92745871	92746313	44
		50	110	60	-	375	92543068	92543075	92554108	44
	6	50	18.5	60	-	316	92745505	92745886	92746329	44
		50	-	60	37	330	92745504	92745885	92746328	44
		50	22	60	-	334	92745503	92745884	92746327	44
		50	30	60	-	365	92745502	92745883	92746326	44
		50	37	60	-	403	92745501	92745882	92746324	44
		50	-	60	75	414	92745500	92745881	92746323	44
		50	45	60	-	416	92745499	92745880	92746322	44
		50	-	60	45	351	92543073	92543080	92554113	44
		50	-	60	55	379	92543072	92543079	92554112	44
		300-300	4	50	45	60	-	280-224	92995088	92995364
50	55			60	-	280-272	92995076	92995352	92995628	44
50	75			60	-	305	92995079	92995355	92995631	44
50	-			60	132	306	92995080	92995356	92995632	44
50	90			60	-	326	92995082	92995358	92995634	44
50	-			60	160	328	92995084	92995360	92995636	44
50	110			60	185	346-340	92995086	92995362	92995638	44
50	11			60	-	276-196	92995087	92995363	92995639	44
50	-			60	22	280-226	92995089	92995365	92995641	44
50	15			60	-	280-248	92995075	92995351	92995627	44
6	50		-	60	30	282	92995077	92995353	92995629	44
	50		18.5	60	-	290	92995078	92995354	92995630	44
	50		-	60	37	305	92995079	92995355	92995631	44
	50		22	60	-	307	92995081	92995357	92995633	44
	50		-	60	45	327	92995083	92995359	92995635	44
	50		30	60	-	340	92995085	92995361	92995637	44
	50		-	60	55	346-340	92995086	92995362	92995638	44

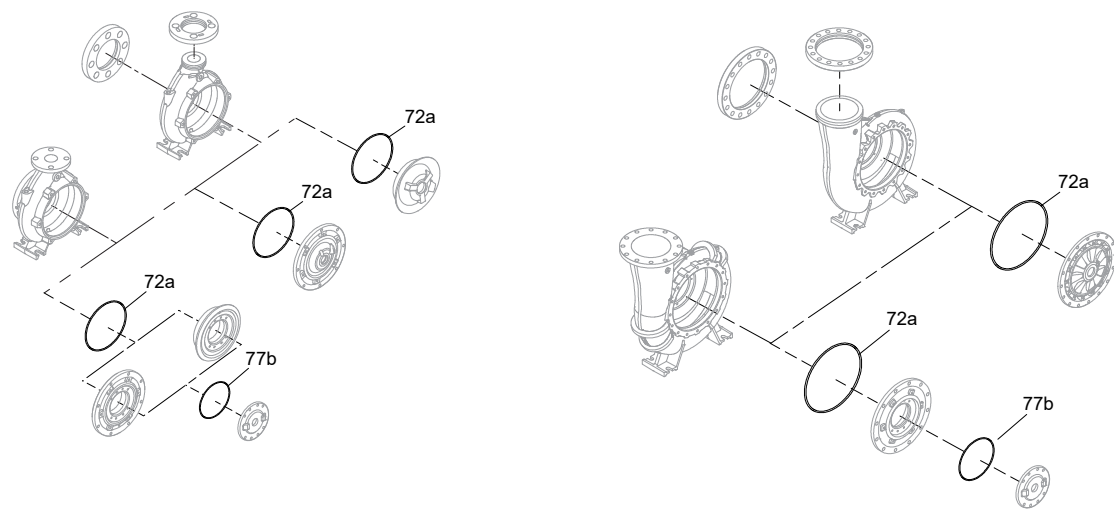
Pump size	Pole	Hz	P2 [kW]	Hz	P2 [kW]	Actual impeller trim [mm]	Pump material code			Impeller bore, d [mm]		
							S3, S4, S5, SB, SC, SD, SI, SK	S8, S9, SG, SH, SJ, SL	T2, T3, TA, TB			
							Impeller material					
							304 (1.4308)	316 (1.4408)	904 (1.4517)			
300-310	4	50	55	60	-	320-190	92995095	92995371	92995647	44		
		50	-	60	110	328-200	92995090	92995366	92995642	44		
		50	75	60	-	332-212	92995098	92995374	92995650	44		
		50	-	60	132	334-212	92995091	92995367	92995643	44		
		50	90	60	-	348-240	92995100	92995376	92995652	44		
		50	-	60	160	350-240	92995092	92995368	92995644	44		
		50	-	60	185	326	92995093	92995369	92995645	44		
		50	110	60	-	328	92995102	92995378	92995654	44		
		50	-	60	200	332	92995094	92995370	92995646	44		
		50	132	60	-	350	92995105	92995381	92995657	44		
	6	50	15	60	-	320-184	92995106	92995382	92995658	44		
		50	-	60	30	328-194	92995096	92995372	92995648	44		
		50	18.5	60	-	328-196	92995097	92995373	92995649	44		
		50	-	60	37	332-212	92995098	92995374	92995650	44		
		50	22	60	-	336-212	92995099	92995375	92995651	44		
		50	-	60	45	348-240	92995100	92995376	92995652	44		
		50	30	60	-	350-258	92995101	92995377	92995653	44		
		50	-	60	55	329	92995103	92995379	92995655	44		
		50	37	60	-	348	92995104	92995380	92995656	44		
		50	-	60	75	350	92995105	92995381	92995657	44		
300-350	4	50	90	60	-	327	92995107	92995383	92995659	50		
		50	-	60	160	329	92995109	92995385	92995661	50		
		50	-	60	185	342	92995111	92995387	92995663	50		
		50	110	60	-	343	92995112	92995388	92995664	50		
		50	-	60	200	347	92995113	92995389	92995665	50		
		50	-	60	220	355	92995115	92995391	92995667	50		
		50	132	60	-	358	92995117	92995393	92995669	50		
		50	-	60	250	367	92995118	92995394	92995670	50		
		50	160	60	280	370	92995120	92995396	92995672	50		
		50	-	60	45	328	92995108	92995384	92995660	50		
	6	50	30	60	-	337	92995110	92995386	92995662	50		
		50	-	60	55	349	92995114	92995390	92995666	50		
		50	37	60	-	356	92995116	92995392	92995668	50		
		50	-	60	75	368	92995119	92995395	92995671	50		
		50	45	60	-	370	92995120	92995396	92995672	50		
		300-400	4	50	200	60	-	395	92995122	92995398	92995674	50
				50	220	60	-	409	92995123	92995399	92995675	50
				50	250	60	-	434	92995125	92995401	92995677	50
				50	-	60	375	441	92995128	92995404	92995680	50
				50	280	60	-	455	92995129	92995405	92995681	50
6	50		315	60	-	480	92995131	92995407	92995683	50		
	50		55	60	-	390	92995121	92995397	92995673	50		
	50		-	60	110	410	92995124	92995400	92995676	50		
	50		75	60	-	437	92995126	92995402	92995678	50		
	50		-	60	132	440	92995127	92995403	92995679	50		
50	90	60	-	479	92995130	92995406	92995682	50				
50	-	60	160	480	92995131	92995407	92995683	50				

Pump size	Pole	Hz	P2 [kW]	Hz	P2 [kW]	Actual impeller trim [mm]	Pump material code			Impeller bore, d [mm]
							S3, S4, S5, SB, SC, SD, SI, SK	S8, S9, SG, SH, SJ, SL	T2, T3, TA, TB	
							Impeller material			
							304 (1.4308)	316 (1.4408)	904 (1.4517)	
350-350	4	50	110	60	-	348-316	92995180	92995466	92995734	50
		50	132	60	-	372-336	92995183	92995469	92995737	50
		50	160	60	-	388-356	92995186	92995472	92995750	50
		50	185	60	-	408-374	92995188	92995474	92995752	50
		50	200	60	-	416-382	92995190	92995476	92995754	50
	6	50	-	60	45	331-283	92995178	92995464	92995732	50
		50	30	60	-	342-306	92995179	92995465	92995733	50
		50	-	60	55	347-319	92995181	92995467	92995735	50
		50	37	60	-	364-336	92995182	92995468	92995736	50
		50	-	60	75	382-354	92995184	92995470	92995738	50
		50	45	60	-	388-352	92995185	92995471	92995739	50
		50	-	60	90	399-371	92995187	92995473	92995751	50
		50	55	60	-	408-376	92995189	92995475	92995753	50
	50	-	60	110	416-388	92995191	92995477	92995755	50	

¹⁸ Only for E-pump

7)

Spare/bulk - O-rings



TM1040125

Spare - O-ring (cover-pump housing)

72a: 1 x O-ring

Bulk - O-ring (cover-pump housing)

72a: 5 x O-ring

Spare - O-ring (seal cover - cover)

77b: 1 x O-ring

Bulk - O-ring (seal cover - cover)

77b: 5 x O-ring

Step 1: Find the pump size and note O-ring codes for Pos. 72a and 77b.

Pump size	Pos. 72a	Pos. 77b	Pump size	Pos. 72a	Pos. 77b
	O-ring code			O-ring code	
32-130.1-2P	B	A	80-225-2P	A	A
32-130.1-4P	B	A	80-225-4P	A	A
32-130-2P	B	A	80-280	D	A
32-130-4P	B	A	80-350	E	A
32-165.1-2P	B	A	100-180-2P	B	A
32-165.1-4P	B	A	100-180-4P	B	A
32-180-2P	B	A	100-225-2P	A	A
32-180-4P	B	A	100-225-4P	A	A
32-205.1-2P	G	A	100-280	D	A
32-205.1-4P	G	A	100-350	F	A
40-130-2P	B	A	100-380	F	A
40-130-4P	B	A	125-180-2P	B	A
40-180-2P	B	A	125-180-4P	B	A
40-180-4P	B	A	125-225	A	A
40-220-2P	C	A	125-280	D	A
40-220-4P	C	A	125-350	E	B
40-225-2P	C	A	125-380	F	B
40-225-4P	C	A	150-225	A	A
50-130-2P	B	A	150-280	D	B
50-130-4P	B	A	150-300	E	B
50-225-2P	C	A	150-350	E	B
50-225-4P	C	A	150-380	F	B
50-280-2P	C	A	200-300	E	B
50-280-4P	C	A	200-350	E	B
50-350	E	A	200-380	F	B
65-130-2P	B	A	200-500	H	B
65-130-4P	B	A	250-315	F	B
65-180-2P	B	A	250-360	F	B
65-180-4P	B	A	250-380	F	B
65-225-2P	A	A	300-300	F	B
65-225-4P	A	A	300-310	F	B
65-280	D	A	300-350	F	B
80-180-2P	B	A	300-400	K	B
80-180-4P	B	A	350-350	J	B

Step 2: Use the O-ring code and check the O-ring material in the pump to find the needed spare.

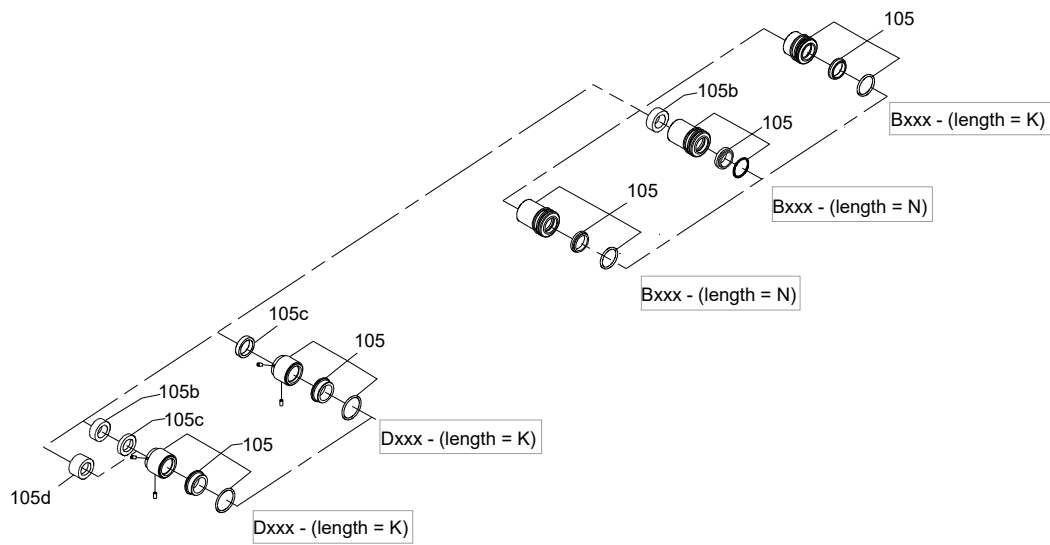


O-ring code

Pos 72a					
O-ring code	O-ring description	Spare (1 pcs)		Bulk (5 pcs)	
		Material		Material	
		E (EPDM)	V (Viton)	E (EPDM)	V (Viton)
A	243x3.5	92526496	92526497	92526507	92526513
B	171.04x3.53	97757659	92526498	92526508	92526514
C	253.6x3.53	97757672	97757699	92526509	92526515
D	278.99x3.53	97757673	97757703	92526510	92526516
E	329.79x3.53	97757675	97757705	92526511	92526517
F	430.66x3.53	97757676	97757707	92526512	92526518
G	221.84x3.53	92728995	92728996	92743280	92743281
H	548x6.00	92729013	92729014	92743282	92743283
J	456.06x3.53	97757677	97757708	92547641	92547640
K	485x4.00	99102425	99102426	92811318	92811319

Pos 77b					
O-ring code	O-ring description	Spare (1 pcs)		Bulk (5 pcs)	
		Material		Material	
		E (EPDM)	V (Viton)	E (EPDM)	V (Viton)
A	100x3.00	97761203	97761204	92526525	92526527
B	129.5x3.00	97757693	97757714	92526526	92526528

Spare/bulk - Shaft seal and spacer



TM083038

Spare - Shaft seal
105: Shaft seal
Bulk - Shaft seal
105: 5 x Shaft seal
Spare - Spacer
105b/105c/105d: Spacer

Installation length			
	Types Bxxx		Types Dxxx
"x" ('Xtra short')	"K" ('short')	"N" ('normal')	"K" ('short')

Step 1: Find the pump size and note the seal code and the spacer code - if there is one.

Pump size	Seal inner dia. [mm]	Length	Seal code	Spacer code	
				Bxxx seals	Dxxx seals
32-130.1-2P	20	K	A	-	-
32-130.1-4P	20	K	A	-	-
32-130-2P	20	K	A	-	-
32-130-4P	20	K	A	-	-
32-165.1-2P	28	N	B	-	B
32-165.1-4P	20	K	A	-	-
32-180-2P	20	K	A	-	-
32-180-4P	20	K	A	-	-
32-205.1-2P	28	N	B	-	B
32-205.1-4P	20	K	A	-	-
40-130-2P	28	N	B	-	B
40-130-4P	20	K	A	-	-
40-180-2P	28	N	B	-	B
40-180-4P	20	K	A	-	-
40-220-2P	28	N	B	-	B
40-220-4P	28	N	B	-	B
40-225-2P	28	N	B	-	B
40-225-4P	28	N	B	-	B
50-130-2P	28	N	B	-	B
50-130-4P	20	K	A	-	-
50-225-2P	38	N	C	-	C
50-225-4P	28	N	B	-	B
50-280-2P	38	N	C	-	C
50-280-4P	28	N	B	-	B
50-350	38	N	C	G	H
65-130-2P	28	N	B	-	B
65-130-4P	20	K	A	-	-
65-180-2P	28	N	B	-	B
65-180-4P	20	K	A	-	-
65-225-2P	38	N	C	-	C
65-225-4P	28	N	B	-	B
65-280	38	N	C	G	H
80-180-2P	28	N	B	-	B
80-180-4P	20	K	A	-	-
80-225-2P	38	N	C	-	C
80-225-4P	28	N	B	-	B
80-280	38	N	C	G	H
80-350	38	N	C	G	H
100-180-2P	28	N	B	-	B
100-180-4P	28	N	B	-	B
100-225-2P	38	N	C	-	C
100-225-4P	28	N	B	-	B
100-280	38	N	C	G	H
100-350	38	N	C	G	H
100-380	48	N	D	-	D
125-180-2P	28	N	B	-	B
125-180-4P	28	N	B	-	B
125-225	38	N	C	-	C
125-280	38	N	C	G	H
125-350	48	N	D	-	D
125-380	48	N	D	-	D

Pump size	Seal inner dia. [mm]	Length	Seal code	Spacer code	
				Bxxx seals	Dxxx seals
150-225	38	N	C	-	C
150-280	48	N	D	-	D
150-300	48	N	D	-	D
150-350	48	N	D	-	D
150-380	55	N	E	-	E
200-300	48	N	D	-	D
200-350	48	N	D	-	D
200-380	55	N	E	-	E
200-500	60	N	F	-	F
250-315	55	N	E	-	E
250-360	55	N	E	-	E
250-380	55	N	E	-	E
300-300	55	N	E	-	E
300-310	55	N	E	-	E
300-350	60	N	F	-	F
300-400	60	N	F	-	F
350-350	60	N	F	-	F

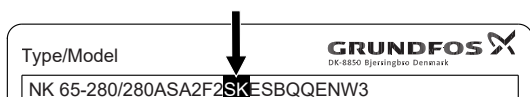
Step 2: Use the seal code and the shaft seal type to find the needed spare/bulk.



Shaft seal type

Seal code	BQQE		BQQV		DAQF		DQQE	
	Spare (1 pcs)	Bulk (5 pcs)	Spare (1 pcs)	Bulk (5 pcs)	Spare (1 pcs)	Bulk (5 pcs)	Spare (1 pcs)	Bulk (5 pcs)
A	92728673	92728680	92728674	92728681	92728677	92728684	92728676	92728683
B	99884645	99380916	98434905	92514269	96548355	92514233	97769895	92514258
C	98434906	92514302	98434908	92514301	96548359	92514274	97769897	92514291
D	98434909	92514334	98434941	92514333	96658796	92514307	97685509	92514323
E	98434943	92514388	98434944	92514387	96658807	92514335	97685596	92514356
F	98434945	92514397	98434947	92514396	96658820	92514358	97685598	92514367

Step 3: Use the spacer code, the shaft seal type and the material code to find the needed spacer.



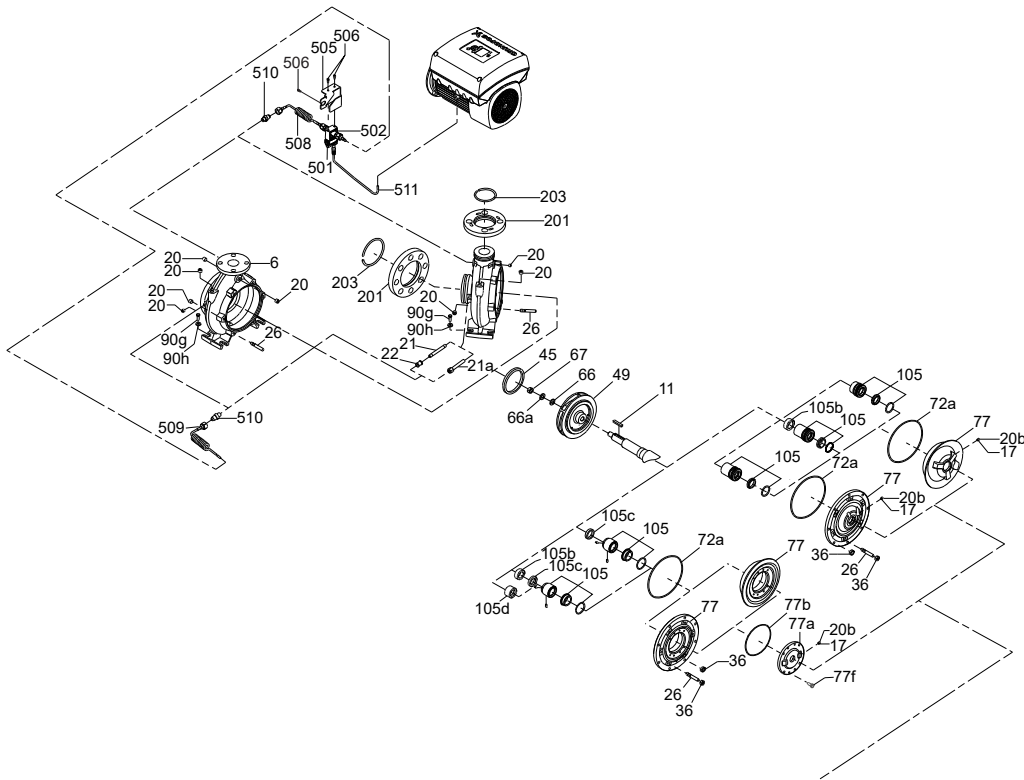
Material code

Spacer code	Position	Bxxx seals	Dxxx seals	Spacer for ...	
		Spacer thickness (B)		Material version	
		[mm]	[mm]	S3, SB, S4, S8, SC, SG	S5, S9, SD, SH, T2, TA, SI, SJ, SK, SL, T3, TB
A	-	-	-	-	-
B	105c	-	7.5	96938597	96938598
C	105c	-	10	96938599	96938600
D	105c	-	15	96938602	96938603
E	105c	-	22.5	96938604	96938605
F	105c	-	17.5	96938606	96938607
G	105b	15	-	96591277	96938601
H	105d	-	25	92728687	92728688

Material	Type	BAQE			BAQV			BQQE			BG
		x	k	n	x	k	n	x	k	n	
GG	20										
GG	28			96488302			96548353			98434904	
GG	38			96537605			96548357			98434906	
GG	48			96306472			96658791			98434909	
GG	55			96306475			96658801			98434943	
GG	60			96658812			96658815			98434945	

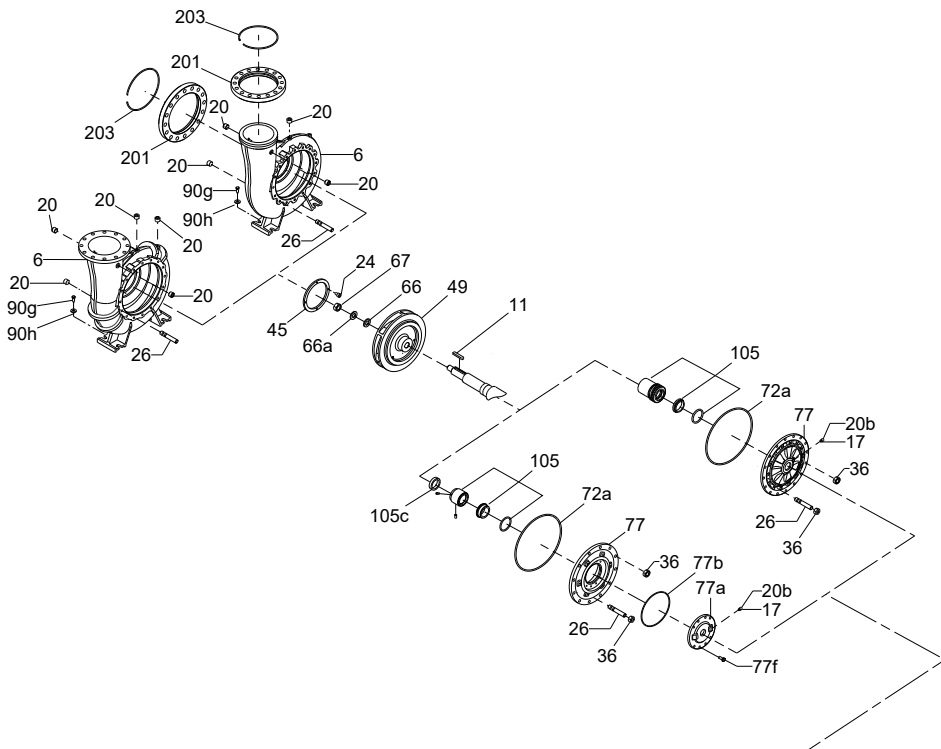
Exploded views

Center-line outlet, Range 2



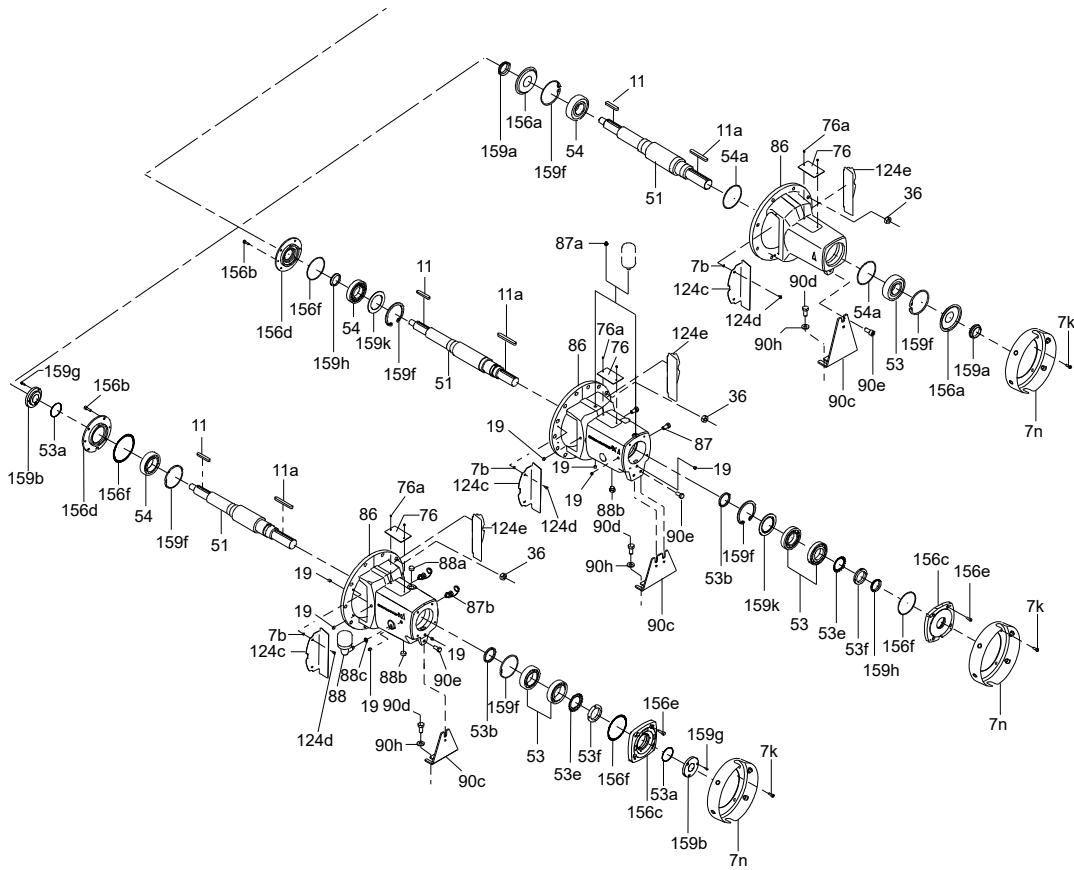
TM082100

Tangential outlet, Range 2



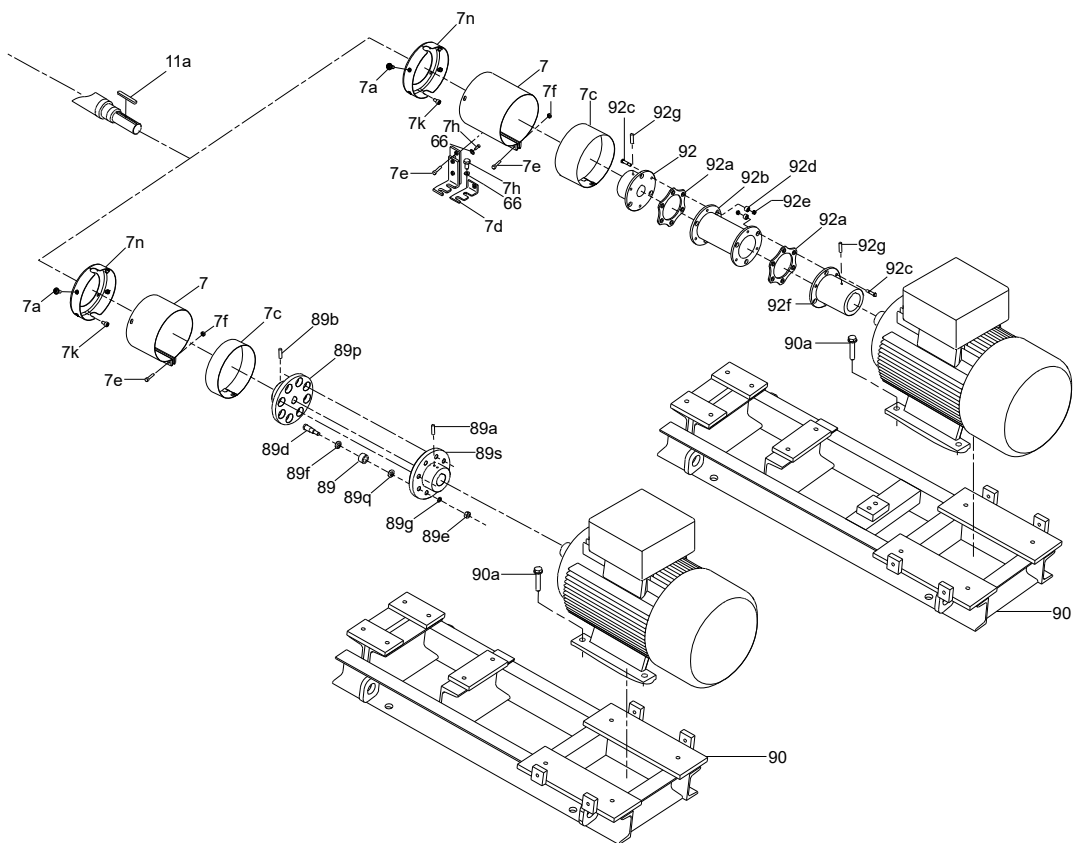
TM082101

Bearing brackets, Range 2



TM082102

Coupling, base frame and motor, Range 2



TM082103