

# Service Kit Catalogue

2023

NK/E - Range 2

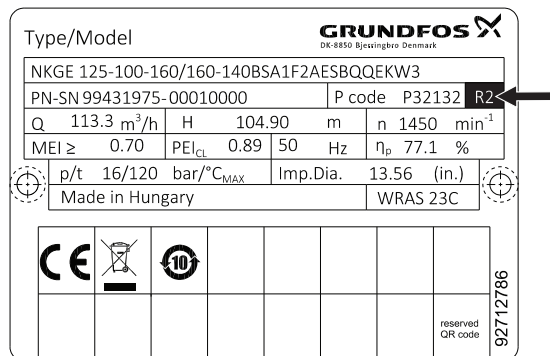


|  |           |
|--|-----------|
| <b>1. Where does NK – Range 2 fit in the overall picture of end-suction . . . . .</b>          | <b>3</b>  |
| How to search correct service parts. . . . .   | 3         |
| Type key . . . . .   | 4         |
| <b>2. Overview of kits/spares . . . . .</b>  | <b>10</b> |
| Centre-line outlet, single seal, closed impeller. . . . .                                      | 10        |
| Tangential outlet, single seal, closed impeller . . . . .                                      | 11        |
| Bearing brackets. . . . .  | 12        |
| Couplings and base frames . . . . .  | 13        |
| <b>3. Service kits and spares . . . . .</b>  | <b>14</b> |
| Kit - Bearing bracket foot . . . . .   | 14        |
| Kit - Coupling guard, spacer coupling . . . . .  | 15        |
| Kit - Coupling guard, standard coupling . . . . .  | 18        |
| Kit/spare - Covers . . . . .   | 21        |
| Kit - Foot for spacer coupling guard . . . . .   | 24        |
| Kit - Heavy Duty bearing bracket, re-greaseable . . . . .                                      | 27        |
| Kit - Loose flange(s) . . . . .  | 29        |
| Kit/Bulk - Nut, washers and key for impeller . . . . .   | 31        |
| Kit - Pump housing without wear ring . . . . .   | 33        |
| Kit - Pump housing machined for wear ring . . . . .  | 35        |
| Kit/spare - Sensor for NKE Series 2000 . . . . .   | 37        |
| Kit - Shaft. . . . .   | 38        |
| Kit - Shaft guard . . . . .  | 40        |
| Kit/spare - Spacer coupling . . . . .  | 41        |
| Kit - Standard bearing bracket . . . . .   | 45        |
| Kit/spare/bulk - Standard coupling. . . . .  | 46        |
| Kit/spare - Wear ring . . . . .  | 48        |
| Motors - Relation between P2 (power), pole and frame size for different motor brands . . . . . | 51        |
| Pump housing plugs . . . . .   | 53        |
| Pump nameplate . . . . .   | 54        |
| Spare - Base frame, spacer coupling . . . . .  | 55        |
| Spare - Base frame, standard coupling . . . . .  | 62        |
| Spare - Impeller . . . . .   | 69        |
| Spare/bulk - O-rings . . . . .   | 91        |
| Spare/bulk - Shaft seal and spacer . . . . .   | 93        |
| <b>4. Exploded drawings . . . . .</b>  | <b>96</b> |

# 1. Where does NK – Range 2 fit in the overall picture of end-suction

The pump range can be identified via this field on the nameplate as shown below.

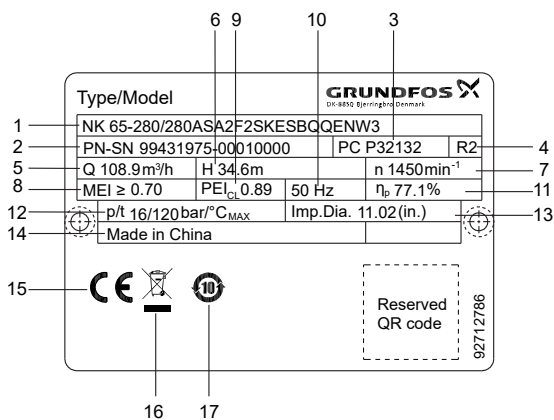
|        | Range                   |          |                          |
|--------|-------------------------|----------|--------------------------|
|        | IEC motor <sup>1)</sup> |          | NEMA motor <sup>2)</sup> |
|        | 1                       | 2        | 6                        |
| NB(E)  | X                       |          | X                        |
| NBG(E) | X                       |          |                          |
| NBS(E) |                         |          | X                        |
| NK(E)  | X                       | <b>X</b> | X                        |
| NKG(E) | X                       |          |                          |



- 1) The motors fitted with the pumps are according to the IEC standard (International Electrotechnical Commission) for frame size, dimensions and connecting interfaces (flange and shaft).
- 2) The motors fitted with the pumps are according to the NEMA standard (National Electrical Manufacturers Association - USA) for frame size, dimensions and connecting interfaces (flange and shaft).

## How to search correct service parts

To search correct service parts, the information on the pump nameplate is vital. The pump nameplate contains all data required for this.



TM1040533

Example of NK nameplate

| Pos. | Description                                      |
|------|--|
| 1    | Type designation                                 |
| 2    | Identification code                              |
|      | 99431975                      Product number     |
|      | 00010000                      Serial number      |
| 3    | Production code - production site, year and week |
| 4    | Range identification (service range code)        |

These data above should be referenced whenever any replacement kit or spare is ordered.

When ordering replacement impellers, additional information like duty point and impeller trim (13) are required data.

## Type key

Example 1: NK 32-180/166AAEF2S3ESBQQEGX4

Example 2: NK 150-350/328-324AAEF2TBESBQQEWX4

Example 3: NKE 65-225/242ASA2F2SKESBQQENWA

| Pos.      | 1   | 2   | 3    | 4        | 5 | 6 | 7 | 8  | 9 | 10 | 11 | 12 | 13 | 14   | 15 | 16 | 17 |
|-----------|-----|-----|------|----------|---|---|---|----|---|----|----|----|----|------|----|----|----|
| Example 1 | NK  | 32  | -180 | /166     |   | A |   | AE | F | 2  | S3 | E  | S  | BQQE | G  | X  | 4  |
| Example 2 | NK  | 150 | -350 | /328-324 |   | A |   | AE | F | 2  | TB | E  | S  | BQQE | W  | X  | 4  |
| Example 3 | NKE | 65  | -225 | /242     |   | A | S | A2 | F | 2  | SK | E  | S  | BQQE | N  | W  | A  |

| Pos. | Explanation   |
|------|---|
| 1    | Type range  |
| 2    | Nominal diameter of outlet port (DN)  |
| 3    | Nominal impeller diameter [mm]  |
| 4    | Actual impeller diameter [mm]   |
|      | <b>Impeller type</b>  |
|      | 'blank': Closed impeller, cylindrical trim. If one dimension is shown, the impeller has a cylindrical trim, for example 166.  |
| 5    | 'blank': Closed impeller, conical trim. If two dimensions are shown, the impeller has a conical trim, for example 328-324.<br>S: Special open impeller<br>V: Super vortex impeller  |
|      | <b>Hydraulic version</b>  |
|      | A: 1st version  |
| 6    | B: 2nd version<br>C: 3rd version<br>D: 4th version  |
|      | <b>Sensor/motor version</b>   |
|      | 'blank': Pump without sensor  |
|      | C: Without built-in sensor, one cable and one pressure sensor are supplied with the pump.   |
| 7    | S: Pump with built-in differential-pressure sensor, Series 2000<br>G: Non -E pump/ -E pump with semi-integrated VFD/CUE: Motor with Grounding ring: Non drive-end<br>H: Non -E pump/ -E pump with semi-integrated VFD/CUE: Motor with hybrid bearing (HYB): Non drive-end<br>I: Non -E pump/ -E pump with semi-integrated VFD/CUE: Motor with insulated bearing: Non drive-end  |
|      | <b>Code for pump version; the codes may be combined</b>   |
|      | A1: Basic version, grease-lubricated standard bearing design, standard coupling   |
|      | A2: Basic version, grease-lubricated standard bearing design, spacer coupling   |
|      | B: Oversize motor   |
|      | (+E): With ATEX approval, certificate or test report, the second character of the pump version code is an E   |
|      | G1: Grease-lubricated heavy-duty bearing design, standard coupling  |
|      | G2: Grease-lubricated heavy-duty bearing design, spacer coupling  |
|      | H1: Oil-lubricated heavy-duty bearing design, standard coupling   |
|      | H2: Oil-lubricated heavy-duty bearing design, spacer coupling   |
| 8    | I1: Pump without motor, grease-lubricated standard bearing design, standard coupling<br>I2: Pump without motor, grease-lubricated standard bearing design, spacer coupling<br>J1: Pump without motor, grease-lubricated heavy-duty bearing design, standard coupling<br>J2: Pump without motor, grease-lubricated heavy-duty bearing design, spacer coupling<br>K1: Pump without motor, oil-lubricated heavy-duty bearing design, standard coupling<br>K2: Pump without motor, oil-lubricated heavy-duty bearing design, spacer coupling<br>Y1: Bare shaft + grease lub. std. bearing design<br>W1: Bare shaft + grease lubricated H.D. bearing design<br>X: Special version; used in case of further customisation than already listed |
|      | <b>Pipe connection</b>  |
|      | E: Table E flange   |
| 9    | F: DIN flange<br>G: ANSI flange<br>J: JIS flange  |
|      | <b>Flange pressure rating (PN - rated pressure)</b>   |
|      | 1: 10 bar   |
| 10   | 2: 16 bar<br>3: 25 bar<br>4: 40 bar<br>5: Other pressure rating   |

| Pos. | Explanation   |                      |                      |                 |           |       |                |            |                |              |                                      |    |            |        |              |        |    |            |        |              |        |    |            |        |              |        |    |            |        |              |        |    |                      |        |              |                 |    |                      |        |              |        |    |                      |        |              |        |    |    |                      |        |              |        |  |    |                      |        |              |        |  |    |                      |        |              |        |  |    |                      |        |              |        |  |    |            |        |              |        |  |    |            |        |              |        |  |    |            |        |              |        |  |    |            |        |              |        |  |    |                      |        |              |        |  |    |                      |        |              |        |  |   |                 |  |  |
|------|---|----------------------|----------------------|-----------------|-----------|-------|----------------|------------|----------------|--------------|--------------------------------------|----|------------|--------|--------------|--------|----|------------|--------|--------------|--------|----|------------|--------|--------------|--------|----|------------|--------|--------------|--------|----|----------------------|--------|--------------|-----------------|----|----------------------|--------|--------------|--------|----|----------------------|--------|--------------|--------|----|----|----------------------|--------|--------------|--------|--|----|----------------------|--------|--------------|--------|--|----|----------------------|--------|--------------|--------|--|----|----------------------|--------|--------------|--------|--|----|------------|--------|--------------|--------|--|----|------------|--------|--------------|--------|--|----|------------|--------|--------------|--------|--|----|------------|--------|--------------|--------|--|----|----------------------|--------|--------------|--------|--|----|----------------------|--------|--------------|--------|--|---|-----------------|--|--|
|      | <b>Code for materials</b>   |                      |                      |                 |           |       |                |            |                |              |                                      |    |            |        |              |        |    |            |        |              |        |    |            |        |              |        |    |            |        |              |        |    |                      |        |              |                 |    |                      |        |              |        |    |                      |        |              |        |    |    |                      |        |              |        |  |    |                      |        |              |        |  |    |                      |        |              |        |  |    |                      |        |              |        |  |    |            |        |              |        |  |    |            |        |              |        |  |    |            |        |              |        |  |    |            |        |              |        |  |    |                      |        |              |        |  |    |                      |        |              |        |  |   |                 |  |  |
|      | <table border="1"> <thead> <tr> <th>Code</th> <th>Pump housing</th> <th>Impeller</th> <th>Wear ring</th> <th>Shaft</th> </tr> </thead> <tbody> <tr> <td>S3</td> <td>EN-GJL-250</td> <td>1.4308</td> <td>No wear ring</td> <td>1.4301 + 1.0503</td> </tr> <tr> <td>S4</td> <td>EN-GJL-250</td> <td>1.4308</td> <td>No wear ring</td> <td>1.4401</td> </tr> <tr> <td>S5</td> <td>EN-GJL-250</td> <td>1.4308</td> <td>No wear ring</td> <td>1.4462</td> </tr> <tr> <td>S8</td> <td>EN-GJL-250</td> <td>1.4408</td> <td>No wear ring</td> <td>1.4401</td> </tr> <tr> <td>S9</td> <td>EN-GJL-250</td> <td>1.4408</td> <td>No wear ring</td> <td>1.4462</td> </tr> <tr> <td>SB</td> <td>EN-GJS-500-7 ductile</td> <td>1.4308</td> <td>No wear ring</td> <td>1.4301 + 1.0503</td> </tr> <tr> <td>SC</td> <td>EN-GJS-500-7 ductile</td> <td>1.4308</td> <td>No wear ring</td> <td>1.4401</td> </tr> <tr> <td>SD</td> <td>EN-GJS-500-7 ductile</td> <td>1.4308</td> <td>No wear ring</td> <td>1.4462</td> </tr> <tr> <td>11</td> <td>SG</td> <td>EN-GJS-500-7 ductile</td> <td>1.4408</td> <td>No wear ring</td> <td>1.4401</td> </tr> <tr> <td></td> <td>SH</td> <td>EN-GJS-500-7 ductile</td> <td>1.4408</td> <td>No wear ring</td> <td>1.4462</td> </tr> <tr> <td></td> <td>SI</td> <td>EN-GJS-500-7 ductile</td> <td>1.4308</td> <td>No wear ring</td> <td>1.4410</td> </tr> <tr> <td></td> <td>SJ</td> <td>EN-GJS-500-7 ductile</td> <td>1.4408</td> <td>No wear ring</td> <td>1.4410</td> </tr> <tr> <td></td> <td>SK</td> <td>EN-GJL-250</td> <td>1.4308</td> <td>No wear ring</td> <td>1.4410</td> </tr> <tr> <td></td> <td>SL</td> <td>EN-GJL-250</td> <td>1.4408</td> <td>No wear ring</td> <td>1.4410</td> </tr> <tr> <td></td> <td>T2</td> <td>EN-GJL-250</td> <td>1.4517</td> <td>No wear ring</td> <td>1.4462</td> </tr> <tr> <td></td> <td>T3</td> <td>EN-GJL-250</td> <td>1.4517</td> <td>No wear ring</td> <td>1.4410</td> </tr> <tr> <td></td> <td>TA</td> <td>EN-GJS-500-7 ductile</td> <td>1.4517</td> <td>No wear ring</td> <td>1.4462</td> </tr> <tr> <td></td> <td>TB</td> <td>EN-GJS-500-7 ductile</td> <td>1.4517</td> <td>No wear ring</td> <td>1.4410</td> </tr> <tr> <td></td> <td>X</td> <td>Special version</td> <td></td> <td></td> </tr> </tbody> </table> | Code                 | Pump housing         | Impeller        | Wear ring | Shaft | S3             | EN-GJL-250 | 1.4308         | No wear ring | 1.4301 + 1.0503                      | S4 | EN-GJL-250 | 1.4308 | No wear ring | 1.4401 | S5 | EN-GJL-250 | 1.4308 | No wear ring | 1.4462 | S8 | EN-GJL-250 | 1.4408 | No wear ring | 1.4401 | S9 | EN-GJL-250 | 1.4408 | No wear ring | 1.4462 | SB | EN-GJS-500-7 ductile | 1.4308 | No wear ring | 1.4301 + 1.0503 | SC | EN-GJS-500-7 ductile | 1.4308 | No wear ring | 1.4401 | SD | EN-GJS-500-7 ductile | 1.4308 | No wear ring | 1.4462 | 11 | SG | EN-GJS-500-7 ductile | 1.4408 | No wear ring | 1.4401 |  | SH | EN-GJS-500-7 ductile | 1.4408 | No wear ring | 1.4462 |  | SI | EN-GJS-500-7 ductile | 1.4308 | No wear ring | 1.4410 |  | SJ | EN-GJS-500-7 ductile | 1.4408 | No wear ring | 1.4410 |  | SK | EN-GJL-250 | 1.4308 | No wear ring | 1.4410 |  | SL | EN-GJL-250 | 1.4408 | No wear ring | 1.4410 |  | T2 | EN-GJL-250 | 1.4517 | No wear ring | 1.4462 |  | T3 | EN-GJL-250 | 1.4517 | No wear ring | 1.4410 |  | TA | EN-GJS-500-7 ductile | 1.4517 | No wear ring | 1.4462 |  | TB | EN-GJS-500-7 ductile | 1.4517 | No wear ring | 1.4410 |  | X | Special version |  |  |
| Code | Pump housing  | Impeller             | Wear ring            | Shaft           |           |       |                |            |                |              |                                      |    |            |        |              |        |    |            |        |              |        |    |            |        |              |        |    |            |        |              |        |    |                      |        |              |                 |    |                      |        |              |        |    |                      |        |              |        |    |    |                      |        |              |        |  |    |                      |        |              |        |  |    |                      |        |              |        |  |    |                      |        |              |        |  |    |            |        |              |        |  |    |            |        |              |        |  |    |            |        |              |        |  |    |            |        |              |        |  |    |                      |        |              |        |  |    |                      |        |              |        |  |   |                 |  |  |
| S3   | EN-GJL-250  | 1.4308               | No wear ring         | 1.4301 + 1.0503 |           |       |                |            |                |              |                                      |    |            |        |              |        |    |            |        |              |        |    |            |        |              |        |    |            |        |              |        |    |                      |        |              |                 |    |                      |        |              |        |    |                      |        |              |        |    |    |                      |        |              |        |  |    |                      |        |              |        |  |    |                      |        |              |        |  |    |                      |        |              |        |  |    |            |        |              |        |  |    |            |        |              |        |  |    |            |        |              |        |  |    |            |        |              |        |  |    |                      |        |              |        |  |    |                      |        |              |        |  |   |                 |  |  |
| S4   | EN-GJL-250  | 1.4308               | No wear ring         | 1.4401          |           |       |                |            |                |              |                                      |    |            |        |              |        |    |            |        |              |        |    |            |        |              |        |    |            |        |              |        |    |                      |        |              |                 |    |                      |        |              |        |    |                      |        |              |        |    |    |                      |        |              |        |  |    |                      |        |              |        |  |    |                      |        |              |        |  |    |                      |        |              |        |  |    |            |        |              |        |  |    |            |        |              |        |  |    |            |        |              |        |  |    |            |        |              |        |  |    |                      |        |              |        |  |    |                      |        |              |        |  |   |                 |  |  |
| S5   | EN-GJL-250  | 1.4308               | No wear ring         | 1.4462          |           |       |                |            |                |              |                                      |    |            |        |              |        |    |            |        |              |        |    |            |        |              |        |    |            |        |              |        |    |                      |        |              |                 |    |                      |        |              |        |    |                      |        |              |        |    |    |                      |        |              |        |  |    |                      |        |              |        |  |    |                      |        |              |        |  |    |                      |        |              |        |  |    |            |        |              |        |  |    |            |        |              |        |  |    |            |        |              |        |  |    |            |        |              |        |  |    |                      |        |              |        |  |    |                      |        |              |        |  |   |                 |  |  |
| S8   | EN-GJL-250  | 1.4408               | No wear ring         | 1.4401          |           |       |                |            |                |              |                                      |    |            |        |              |        |    |            |        |              |        |    |            |        |              |        |    |            |        |              |        |    |                      |        |              |                 |    |                      |        |              |        |    |                      |        |              |        |    |    |                      |        |              |        |  |    |                      |        |              |        |  |    |                      |        |              |        |  |    |                      |        |              |        |  |    |            |        |              |        |  |    |            |        |              |        |  |    |            |        |              |        |  |    |            |        |              |        |  |    |                      |        |              |        |  |    |                      |        |              |        |  |   |                 |  |  |
| S9   | EN-GJL-250  | 1.4408               | No wear ring         | 1.4462          |           |       |                |            |                |              |                                      |    |            |        |              |        |    |            |        |              |        |    |            |        |              |        |    |            |        |              |        |    |                      |        |              |                 |    |                      |        |              |        |    |                      |        |              |        |    |    |                      |        |              |        |  |    |                      |        |              |        |  |    |                      |        |              |        |  |    |                      |        |              |        |  |    |            |        |              |        |  |    |            |        |              |        |  |    |            |        |              |        |  |    |            |        |              |        |  |    |                      |        |              |        |  |    |                      |        |              |        |  |   |                 |  |  |
| SB   | EN-GJS-500-7 ductile  | 1.4308               | No wear ring         | 1.4301 + 1.0503 |           |       |                |            |                |              |                                      |    |            |        |              |        |    |            |        |              |        |    |            |        |              |        |    |            |        |              |        |    |                      |        |              |                 |    |                      |        |              |        |    |                      |        |              |        |    |    |                      |        |              |        |  |    |                      |        |              |        |  |    |                      |        |              |        |  |    |                      |        |              |        |  |    |            |        |              |        |  |    |            |        |              |        |  |    |            |        |              |        |  |    |            |        |              |        |  |    |                      |        |              |        |  |    |                      |        |              |        |  |   |                 |  |  |
| SC   | EN-GJS-500-7 ductile  | 1.4308               | No wear ring         | 1.4401          |           |       |                |            |                |              |                                      |    |            |        |              |        |    |            |        |              |        |    |            |        |              |        |    |            |        |              |        |    |                      |        |              |                 |    |                      |        |              |        |    |                      |        |              |        |    |    |                      |        |              |        |  |    |                      |        |              |        |  |    |                      |        |              |        |  |    |                      |        |              |        |  |    |            |        |              |        |  |    |            |        |              |        |  |    |            |        |              |        |  |    |            |        |              |        |  |    |                      |        |              |        |  |    |                      |        |              |        |  |   |                 |  |  |
| SD   | EN-GJS-500-7 ductile  | 1.4308               | No wear ring         | 1.4462          |           |       |                |            |                |              |                                      |    |            |        |              |        |    |            |        |              |        |    |            |        |              |        |    |            |        |              |        |    |                      |        |              |                 |    |                      |        |              |        |    |                      |        |              |        |    |    |                      |        |              |        |  |    |                      |        |              |        |  |    |                      |        |              |        |  |    |                      |        |              |        |  |    |            |        |              |        |  |    |            |        |              |        |  |    |            |        |              |        |  |    |            |        |              |        |  |    |                      |        |              |        |  |    |                      |        |              |        |  |   |                 |  |  |
| 11   | SG  | EN-GJS-500-7 ductile | 1.4408               | No wear ring    | 1.4401    |       |                |            |                |              |                                      |    |            |        |              |        |    |            |        |              |        |    |            |        |              |        |    |            |        |              |        |    |                      |        |              |                 |    |                      |        |              |        |    |                      |        |              |        |    |    |                      |        |              |        |  |    |                      |        |              |        |  |    |                      |        |              |        |  |    |                      |        |              |        |  |    |            |        |              |        |  |    |            |        |              |        |  |    |            |        |              |        |  |    |            |        |              |        |  |    |                      |        |              |        |  |    |                      |        |              |        |  |   |                 |  |  |
|      | SH  | EN-GJS-500-7 ductile | 1.4408               | No wear ring    | 1.4462    |       |                |            |                |              |                                      |    |            |        |              |        |    |            |        |              |        |    |            |        |              |        |    |            |        |              |        |    |                      |        |              |                 |    |                      |        |              |        |    |                      |        |              |        |    |    |                      |        |              |        |  |    |                      |        |              |        |  |    |                      |        |              |        |  |    |                      |        |              |        |  |    |            |        |              |        |  |    |            |        |              |        |  |    |            |        |              |        |  |    |            |        |              |        |  |    |                      |        |              |        |  |    |                      |        |              |        |  |   |                 |  |  |
|      | SI  | EN-GJS-500-7 ductile | 1.4308               | No wear ring    | 1.4410    |       |                |            |                |              |                                      |    |            |        |              |        |    |            |        |              |        |    |            |        |              |        |    |            |        |              |        |    |                      |        |              |                 |    |                      |        |              |        |    |                      |        |              |        |    |    |                      |        |              |        |  |    |                      |        |              |        |  |    |                      |        |              |        |  |    |                      |        |              |        |  |    |            |        |              |        |  |    |            |        |              |        |  |    |            |        |              |        |  |    |            |        |              |        |  |    |                      |        |              |        |  |    |                      |        |              |        |  |   |                 |  |  |
|      | SJ  | EN-GJS-500-7 ductile | 1.4408               | No wear ring    | 1.4410    |       |                |            |                |              |                                      |    |            |        |              |        |    |            |        |              |        |    |            |        |              |        |    |            |        |              |        |    |                      |        |              |                 |    |                      |        |              |        |    |                      |        |              |        |    |    |                      |        |              |        |  |    |                      |        |              |        |  |    |                      |        |              |        |  |    |                      |        |              |        |  |    |            |        |              |        |  |    |            |        |              |        |  |    |            |        |              |        |  |    |            |        |              |        |  |    |                      |        |              |        |  |    |                      |        |              |        |  |   |                 |  |  |
|      | SK  | EN-GJL-250           | 1.4308               | No wear ring    | 1.4410    |       |                |            |                |              |                                      |    |            |        |              |        |    |            |        |              |        |    |            |        |              |        |    |            |        |              |        |    |                      |        |              |                 |    |                      |        |              |        |    |                      |        |              |        |    |    |                      |        |              |        |  |    |                      |        |              |        |  |    |                      |        |              |        |  |    |                      |        |              |        |  |    |            |        |              |        |  |    |            |        |              |        |  |    |            |        |              |        |  |    |            |        |              |        |  |    |                      |        |              |        |  |    |                      |        |              |        |  |   |                 |  |  |
|      | SL  | EN-GJL-250           | 1.4408               | No wear ring    | 1.4410    |       |                |            |                |              |                                      |    |            |        |              |        |    |            |        |              |        |    |            |        |              |        |    |            |        |              |        |    |                      |        |              |                 |    |                      |        |              |        |    |                      |        |              |        |    |    |                      |        |              |        |  |    |                      |        |              |        |  |    |                      |        |              |        |  |    |                      |        |              |        |  |    |            |        |              |        |  |    |            |        |              |        |  |    |            |        |              |        |  |    |            |        |              |        |  |    |                      |        |              |        |  |    |                      |        |              |        |  |   |                 |  |  |
|      | T2  | EN-GJL-250           | 1.4517               | No wear ring    | 1.4462    |       |                |            |                |              |                                      |    |            |        |              |        |    |            |        |              |        |    |            |        |              |        |    |            |        |              |        |    |                      |        |              |                 |    |                      |        |              |        |    |                      |        |              |        |    |    |                      |        |              |        |  |    |                      |        |              |        |  |    |                      |        |              |        |  |    |                      |        |              |        |  |    |            |        |              |        |  |    |            |        |              |        |  |    |            |        |              |        |  |    |            |        |              |        |  |    |                      |        |              |        |  |    |                      |        |              |        |  |   |                 |  |  |
|      | T3  | EN-GJL-250           | 1.4517               | No wear ring    | 1.4410    |       |                |            |                |              |                                      |    |            |        |              |        |    |            |        |              |        |    |            |        |              |        |    |            |        |              |        |    |                      |        |              |                 |    |                      |        |              |        |    |                      |        |              |        |    |    |                      |        |              |        |  |    |                      |        |              |        |  |    |                      |        |              |        |  |    |                      |        |              |        |  |    |            |        |              |        |  |    |            |        |              |        |  |    |            |        |              |        |  |    |            |        |              |        |  |    |                      |        |              |        |  |    |                      |        |              |        |  |   |                 |  |  |
|      | TA  | EN-GJS-500-7 ductile | 1.4517               | No wear ring    | 1.4462    |       |                |            |                |              |                                      |    |            |        |              |        |    |            |        |              |        |    |            |        |              |        |    |            |        |              |        |    |                      |        |              |                 |    |                      |        |              |        |    |                      |        |              |        |    |    |                      |        |              |        |  |    |                      |        |              |        |  |    |                      |        |              |        |  |    |                      |        |              |        |  |    |            |        |              |        |  |    |            |        |              |        |  |    |            |        |              |        |  |    |            |        |              |        |  |    |                      |        |              |        |  |    |                      |        |              |        |  |   |                 |  |  |
|      | TB  | EN-GJS-500-7 ductile | 1.4517               | No wear ring    | 1.4410    |       |                |            |                |              |                                      |    |            |        |              |        |    |            |        |              |        |    |            |        |              |        |    |            |        |              |        |    |                      |        |              |                 |    |                      |        |              |        |    |                      |        |              |        |    |    |                      |        |              |        |  |    |                      |        |              |        |  |    |                      |        |              |        |  |    |                      |        |              |        |  |    |            |        |              |        |  |    |            |        |              |        |  |    |            |        |              |        |  |    |            |        |              |        |  |    |                      |        |              |        |  |    |                      |        |              |        |  |   |                 |  |  |
|      | X   | Special version      |                      |                 |           |       |                |            |                |              |                                      |    |            |        |              |        |    |            |        |              |        |    |            |        |              |        |    |            |        |              |        |    |                      |        |              |                 |    |                      |        |              |        |    |                      |        |              |        |    |    |                      |        |              |        |  |    |                      |        |              |        |  |    |                      |        |              |        |  |    |                      |        |              |        |  |    |            |        |              |        |  |    |            |        |              |        |  |    |            |        |              |        |  |    |            |        |              |        |  |    |                      |        |              |        |  |    |                      |        |              |        |  |   |                 |  |  |
|      | <b>Rubber parts in pump</b>   |                      |                      |                 |           |       |                |            |                |              |                                      |    |            |        |              |        |    |            |        |              |        |    |            |        |              |        |    |            |        |              |        |    |                      |        |              |                 |    |                      |        |              |        |    |                      |        |              |        |    |    |                      |        |              |        |  |    |                      |        |              |        |  |    |                      |        |              |        |  |    |                      |        |              |        |  |    |            |        |              |        |  |    |            |        |              |        |  |    |            |        |              |        |  |    |            |        |              |        |  |    |                      |        |              |        |  |    |                      |        |              |        |  |   |                 |  |  |
|      | E: EE   |                      |                      |                 |           |       |                |            |                |              |                                      |    |            |        |              |        |    |            |        |              |        |    |            |        |              |        |    |            |        |              |        |    |                      |        |              |                 |    |                      |        |              |        |    |                      |        |              |        |    |    |                      |        |              |        |  |    |                      |        |              |        |  |    |                      |        |              |        |  |    |                      |        |              |        |  |    |            |        |              |        |  |    |            |        |              |        |  |    |            |        |              |        |  |    |            |        |              |        |  |    |                      |        |              |        |  |    |                      |        |              |        |  |   |                 |  |  |
|      | F: FF   |                      |                      |                 |           |       |                |            |                |              |                                      |    |            |        |              |        |    |            |        |              |        |    |            |        |              |        |    |            |        |              |        |    |                      |        |              |                 |    |                      |        |              |        |    |                      |        |              |        |    |    |                      |        |              |        |  |    |                      |        |              |        |  |    |                      |        |              |        |  |    |                      |        |              |        |  |    |            |        |              |        |  |    |            |        |              |        |  |    |            |        |              |        |  |    |            |        |              |        |  |    |                      |        |              |        |  |    |                      |        |              |        |  |   |                 |  |  |
|      | G: FE   |                      |                      |                 |           |       |                |            |                |              |                                      |    |            |        |              |        |    |            |        |              |        |    |            |        |              |        |    |            |        |              |        |    |                      |        |              |                 |    |                      |        |              |        |    |                      |        |              |        |    |    |                      |        |              |        |  |    |                      |        |              |        |  |    |                      |        |              |        |  |    |                      |        |              |        |  |    |            |        |              |        |  |    |            |        |              |        |  |    |            |        |              |        |  |    |            |        |              |        |  |    |                      |        |              |        |  |    |                      |        |              |        |  |   |                 |  |  |
|      | H: KE   |                      |                      |                 |           |       |                |            |                |              |                                      |    |            |        |              |        |    |            |        |              |        |    |            |        |              |        |    |            |        |              |        |    |                      |        |              |                 |    |                      |        |              |        |    |                      |        |              |        |    |    |                      |        |              |        |  |    |                      |        |              |        |  |    |                      |        |              |        |  |    |                      |        |              |        |  |    |            |        |              |        |  |    |            |        |              |        |  |    |            |        |              |        |  |    |            |        |              |        |  |    |                      |        |              |        |  |    |                      |        |              |        |  |   |                 |  |  |
|      | I: KM   |                      |                      |                 |           |       |                |            |                |              |                                      |    |            |        |              |        |    |            |        |              |        |    |            |        |              |        |    |            |        |              |        |    |                      |        |              |                 |    |                      |        |              |        |    |                      |        |              |        |    |    |                      |        |              |        |  |    |                      |        |              |        |  |    |                      |        |              |        |  |    |                      |        |              |        |  |    |            |        |              |        |  |    |            |        |              |        |  |    |            |        |              |        |  |    |            |        |              |        |  |    |                      |        |              |        |  |    |                      |        |              |        |  |   |                 |  |  |
|      | J: KV   |                      |                      |                 |           |       |                |            |                |              |                                      |    |            |        |              |        |    |            |        |              |        |    |            |        |              |        |    |            |        |              |        |    |                      |        |              |                 |    |                      |        |              |        |    |                      |        |              |        |    |    |                      |        |              |        |  |    |                      |        |              |        |  |    |                      |        |              |        |  |    |                      |        |              |        |  |    |            |        |              |        |  |    |            |        |              |        |  |    |            |        |              |        |  |    |            |        |              |        |  |    |                      |        |              |        |  |    |                      |        |              |        |  |   |                 |  |  |
|      | K: KK   |                      |                      |                 |           |       |                |            |                |              |                                      |    |            |        |              |        |    |            |        |              |        |    |            |        |              |        |    |            |        |              |        |    |                      |        |              |                 |    |                      |        |              |        |    |                      |        |              |        |    |    |                      |        |              |        |  |    |                      |        |              |        |  |    |                      |        |              |        |  |    |                      |        |              |        |  |    |            |        |              |        |  |    |            |        |              |        |  |    |            |        |              |        |  |    |            |        |              |        |  |    |                      |        |              |        |  |    |                      |        |              |        |  |   |                 |  |  |
|      | M: MN   |                      |                      |                 |           |       |                |            |                |              |                                      |    |            |        |              |        |    |            |        |              |        |    |            |        |              |        |    |            |        |              |        |    |                      |        |              |                 |    |                      |        |              |        |    |                      |        |              |        |    |    |                      |        |              |        |  |    |                      |        |              |        |  |    |                      |        |              |        |  |    |                      |        |              |        |  |    |            |        |              |        |  |    |            |        |              |        |  |    |            |        |              |        |  |    |            |        |              |        |  |    |                      |        |              |        |  |    |                      |        |              |        |  |   |                 |  |  |
|      | N: ME   |                      |                      |                 |           |       |                |            |                |              |                                      |    |            |        |              |        |    |            |        |              |        |    |            |        |              |        |    |            |        |              |        |    |                      |        |              |                 |    |                      |        |              |        |    |                      |        |              |        |    |    |                      |        |              |        |  |    |                      |        |              |        |  |    |                      |        |              |        |  |    |                      |        |              |        |  |    |            |        |              |        |  |    |            |        |              |        |  |    |            |        |              |        |  |    |            |        |              |        |  |    |                      |        |              |        |  |    |                      |        |              |        |  |   |                 |  |  |
|      | O: OO   |                      |                      |                 |           |       |                |            |                |              |                                      |    |            |        |              |        |    |            |        |              |        |    |            |        |              |        |    |            |        |              |        |    |                      |        |              |                 |    |                      |        |              |        |    |                      |        |              |        |    |    |                      |        |              |        |  |    |                      |        |              |        |  |    |                      |        |              |        |  |    |                      |        |              |        |  |    |            |        |              |        |  |    |            |        |              |        |  |    |            |        |              |        |  |    |            |        |              |        |  |    |                      |        |              |        |  |    |                      |        |              |        |  |   |                 |  |  |
|      | V: VV   |                      |                      |                 |           |       |                |            |                |              |                                      |    |            |        |              |        |    |            |        |              |        |    |            |        |              |        |    |            |        |              |        |    |                      |        |              |                 |    |                      |        |              |        |    |                      |        |              |        |    |    |                      |        |              |        |  |    |                      |        |              |        |  |    |                      |        |              |        |  |    |                      |        |              |        |  |    |            |        |              |        |  |    |            |        |              |        |  |    |            |        |              |        |  |    |            |        |              |        |  |    |                      |        |              |        |  |    |                      |        |              |        |  |   |                 |  |  |
| 12   | <ul style="list-style-type: none"> <li>The first letter indicates material of elastomer between pump housing and cover, and elastomer between cover and split cover.</li> <li>The second letter indicates material of elastomer between split cover and seal housing.</li> </ul> <p>See the material description in the table below.</p> <table border="1"> <thead> <tr> <th>Code</th> <th>Material description</th> </tr> </thead> <tbody> <tr> <td>E</td> <td>EPDM</td> </tr> <tr> <td>F</td> <td>FXM (Fluoraz®)</td> </tr> <tr> <td>K</td> <td>FFKM (Kalrez®)</td> </tr> <tr> <td>M</td> <td>FEPS (PTFE-sheathed silicone O-ring)</td> </tr> <tr> <td>O</td> <td>HNBR</td> </tr> <tr> <td>V</td> <td>FKM (Viton®)</td> </tr> </tbody> </table>   | Code                 | Material description | E               | EPDM      | F     | FXM (Fluoraz®) | K          | FFKM (Kalrez®) | M            | FEPS (PTFE-sheathed silicone O-ring) | O  | HNBR       | V      | FKM (Viton®) |        |    |            |        |              |        |    |            |        |              |        |    |            |        |              |        |    |                      |        |              |                 |    |                      |        |              |        |    |                      |        |              |        |    |    |                      |        |              |        |  |    |                      |        |              |        |  |    |                      |        |              |        |  |    |                      |        |              |        |  |    |            |        |              |        |  |    |            |        |              |        |  |    |            |        |              |        |  |    |            |        |              |        |  |    |                      |        |              |        |  |    |                      |        |              |        |  |   |                 |  |  |
| Code | Material description  |                      |                      |                 |           |       |                |            |                |              |                                      |    |            |        |              |        |    |            |        |              |        |    |            |        |              |        |    |            |        |              |        |    |                      |        |              |                 |    |                      |        |              |        |    |                      |        |              |        |    |    |                      |        |              |        |  |    |                      |        |              |        |  |    |                      |        |              |        |  |    |                      |        |              |        |  |    |            |        |              |        |  |    |            |        |              |        |  |    |            |        |              |        |  |    |            |        |              |        |  |    |                      |        |              |        |  |    |                      |        |              |        |  |   |                 |  |  |
| E    | EPDM  |                      |                      |                 |           |       |                |            |                |              |                                      |    |            |        |              |        |    |            |        |              |        |    |            |        |              |        |    |            |        |              |        |    |                      |        |              |                 |    |                      |        |              |        |    |                      |        |              |        |    |    |                      |        |              |        |  |    |                      |        |              |        |  |    |                      |        |              |        |  |    |                      |        |              |        |  |    |            |        |              |        |  |    |            |        |              |        |  |    |            |        |              |        |  |    |            |        |              |        |  |    |                      |        |              |        |  |    |                      |        |              |        |  |   |                 |  |  |
| F    | FXM (Fluoraz®)  |                      |                      |                 |           |       |                |            |                |              |                                      |    |            |        |              |        |    |            |        |              |        |    |            |        |              |        |    |            |        |              |        |    |                      |        |              |                 |    |                      |        |              |        |    |                      |        |              |        |    |    |                      |        |              |        |  |    |                      |        |              |        |  |    |                      |        |              |        |  |    |                      |        |              |        |  |    |            |        |              |        |  |    |            |        |              |        |  |    |            |        |              |        |  |    |            |        |              |        |  |    |                      |        |              |        |  |    |                      |        |              |        |  |   |                 |  |  |
| K    | FFKM (Kalrez®)  |                      |                      |                 |           |       |                |            |                |              |                                      |    |            |        |              |        |    |            |        |              |        |    |            |        |              |        |    |            |        |              |        |    |                      |        |              |                 |    |                      |        |              |        |    |                      |        |              |        |    |    |                      |        |              |        |  |    |                      |        |              |        |  |    |                      |        |              |        |  |    |                      |        |              |        |  |    |            |        |              |        |  |    |            |        |              |        |  |    |            |        |              |        |  |    |            |        |              |        |  |    |                      |        |              |        |  |    |                      |        |              |        |  |   |                 |  |  |
| M    | FEPS (PTFE-sheathed silicone O-ring)  |                      |                      |                 |           |       |                |            |                |              |                                      |    |            |        |              |        |    |            |        |              |        |    |            |        |              |        |    |            |        |              |        |    |                      |        |              |                 |    |                      |        |              |        |    |                      |        |              |        |    |    |                      |        |              |        |  |    |                      |        |              |        |  |    |                      |        |              |        |  |    |                      |        |              |        |  |    |            |        |              |        |  |    |            |        |              |        |  |    |            |        |              |        |  |    |            |        |              |        |  |    |                      |        |              |        |  |    |                      |        |              |        |  |   |                 |  |  |
| O    | HNBR  |                      |                      |                 |           |       |                |            |                |              |                                      |    |            |        |              |        |    |            |        |              |        |    |            |        |              |        |    |            |        |              |        |    |                      |        |              |                 |    |                      |        |              |        |    |                      |        |              |        |    |    |                      |        |              |        |  |    |                      |        |              |        |  |    |                      |        |              |        |  |    |                      |        |              |        |  |    |            |        |              |        |  |    |            |        |              |        |  |    |            |        |              |        |  |    |            |        |              |        |  |    |                      |        |              |        |  |    |                      |        |              |        |  |   |                 |  |  |
| V    | FKM (Viton®)  |                      |                      |                 |           |       |                |            |                |              |                                      |    |            |        |              |        |    |            |        |              |        |    |            |        |              |        |    |            |        |              |        |    |                      |        |              |                 |    |                      |        |              |        |    |                      |        |              |        |    |    |                      |        |              |        |  |    |                      |        |              |        |  |    |                      |        |              |        |  |    |                      |        |              |        |  |    |            |        |              |        |  |    |            |        |              |        |  |    |            |        |              |        |  |    |            |        |              |        |  |    |                      |        |              |        |  |    |                      |        |              |        |  |   |                 |  |  |
|      | <b>Shaft seal arrangement</b>   |                      |                      |                 |           |       |                |            |                |              |                                      |    |            |        |              |        |    |            |        |              |        |    |            |        |              |        |    |            |        |              |        |    |                      |        |              |                 |    |                      |        |              |        |    |                      |        |              |        |    |    |                      |        |              |        |  |    |                      |        |              |        |  |    |                      |        |              |        |  |    |                      |        |              |        |  |    |            |        |              |        |  |    |            |        |              |        |  |    |            |        |              |        |  |    |            |        |              |        |  |    |                      |        |              |        |  |    |                      |        |              |        |  |   |                 |  |  |
|      | B: Stuffing box   |                      |                      |                 |           |       |                |            |                |              |                                      |    |            |        |              |        |    |            |        |              |        |    |            |        |              |        |    |            |        |              |        |    |                      |        |              |                 |    |                      |        |              |        |    |                      |        |              |        |    |    |                      |        |              |        |  |    |                      |        |              |        |  |    |                      |        |              |        |  |    |                      |        |              |        |  |    |            |        |              |        |  |    |            |        |              |        |  |    |            |        |              |        |  |    |            |        |              |        |  |    |                      |        |              |        |  |    |                      |        |              |        |  |   |                 |  |  |
|      | C: Cartridge seal, single   |                      |                      |                 |           |       |                |            |                |              |                                      |    |            |        |              |        |    |            |        |              |        |    |            |        |              |        |    |            |        |              |        |    |                      |        |              |                 |    |                      |        |              |        |    |                      |        |              |        |    |    |                      |        |              |        |  |    |                      |        |              |        |  |    |                      |        |              |        |  |    |                      |        |              |        |  |    |            |        |              |        |  |    |            |        |              |        |  |    |            |        |              |        |  |    |            |        |              |        |  |    |                      |        |              |        |  |    |                      |        |              |        |  |   |                 |  |  |
| 13   | D: Cartridge seal, double   |                      |                      |                 |           |       |                |            |                |              |                                      |    |            |        |              |        |    |            |        |              |        |    |            |        |              |        |    |            |        |              |        |    |                      |        |              |                 |    |                      |        |              |        |    |                      |        |              |        |    |    |                      |        |              |        |  |    |                      |        |              |        |  |    |                      |        |              |        |  |    |                      |        |              |        |  |    |            |        |              |        |  |    |            |        |              |        |  |    |            |        |              |        |  |    |            |        |              |        |  |    |                      |        |              |        |  |    |                      |        |              |        |  |   |                 |  |  |
|      | O: Back-to-back, double seal  |                      |                      |                 |           |       |                |            |                |              |                                      |    |            |        |              |        |    |            |        |              |        |    |            |        |              |        |    |            |        |              |        |    |                      |        |              |                 |    |                      |        |              |        |    |                      |        |              |        |    |    |                      |        |              |        |  |    |                      |        |              |        |  |    |                      |        |              |        |  |    |                      |        |              |        |  |    |            |        |              |        |  |    |            |        |              |        |  |    |            |        |              |        |  |    |            |        |              |        |  |    |                      |        |              |        |  |    |                      |        |              |        |  |   |                 |  |  |
|      | P: Tandem, double seal  |                      |                      |                 |           |       |                |            |                |              |                                      |    |            |        |              |        |    |            |        |              |        |    |            |        |              |        |    |            |        |              |        |    |                      |        |              |                 |    |                      |        |              |        |    |                      |        |              |        |    |    |                      |        |              |        |  |    |                      |        |              |        |  |    |                      |        |              |        |  |    |                      |        |              |        |  |    |            |        |              |        |  |    |            |        |              |        |  |    |            |        |              |        |  |    |            |        |              |        |  |    |                      |        |              |        |  |    |                      |        |              |        |  |   |                 |  |  |
|      | S: Single seal  |                      |                      |                 |           |       |                |            |                |              |                                      |    |            |        |              |        |    |            |        |              |        |    |            |        |              |        |    |            |        |              |        |    |                      |        |              |                 |    |                      |        |              |        |    |                      |        |              |        |    |    |                      |        |              |        |  |    |                      |        |              |        |  |    |                      |        |              |        |  |    |                      |        |              |        |  |    |            |        |              |        |  |    |            |        |              |        |  |    |            |        |              |        |  |    |            |        |              |        |  |    |                      |        |              |        |  |    |                      |        |              |        |  |   |                 |  |  |
|      | <b>Shaft seal(s) in pump</b>  |                      |                      |                 |           |       |                |            |                |              |                                      |    |            |        |              |        |    |            |        |              |        |    |            |        |              |        |    |            |        |              |        |    |                      |        |              |                 |    |                      |        |              |        |    |                      |        |              |        |    |    |                      |        |              |        |  |    |                      |        |              |        |  |    |                      |        |              |        |  |    |                      |        |              |        |  |    |            |        |              |        |  |    |            |        |              |        |  |    |            |        |              |        |  |    |            |        |              |        |  |    |                      |        |              |        |  |    |                      |        |              |        |  |   |                 |  |  |
|      | Letter or digit code for mechanical shaft seal and shaft seal rubber parts  |                      |                      |                 |           |       |                |            |                |              |                                      |    |            |        |              |        |    |            |        |              |        |    |            |        |              |        |    |            |        |              |        |    |                      |        |              |                 |    |                      |        |              |        |    |                      |        |              |        |    |    |                      |        |              |        |  |    |                      |        |              |        |  |    |                      |        |              |        |  |    |                      |        |              |        |  |    |            |        |              |        |  |    |            |        |              |        |  |    |            |        |              |        |  |    |            |        |              |        |  |    |                      |        |              |        |  |    |                      |        |              |        |  |   |                 |  |  |
| 14   | <ul style="list-style-type: none"> <li>4 letters: Single mechanical shaft seal, such as BQQE, or single cartridge seal, such as HBQV</li> <li>4 digits: <ul style="list-style-type: none"> <li>double seal solution; example 2716, where 27 is DQQV, primary seal, and 16 is BQQV, secondary seal;</li> <li>double cartridge seal; example 5150, where 51 is HQQU, primary seal, and 50 is HBQV, secondary seal</li> </ul> </li> </ul> <p>The relation between letters and digits of the shaft seals is described in Codes for shaft seals.</p>   |                      |                      |                 |           |       |                |            |                |              |                                      |    |            |        |              |        |    |            |        |              |        |    |            |        |              |        |    |            |        |              |        |    |                      |        |              |                 |    |                      |        |              |        |    |                      |        |              |        |    |    |                      |        |              |        |  |    |                      |        |              |        |  |    |                      |        |              |        |  |    |                      |        |              |        |  |    |            |        |              |        |  |    |            |        |              |        |  |    |            |        |              |        |  |    |            |        |              |        |  |    |                      |        |              |        |  |    |                      |        |              |        |  |   |                 |  |  |

| Pos. | Explanation |
|------|-------------|
|------|-------------|

|    |  |
|----|--|
| 15 | Code for rated motor power [kW]. See Codes for rated motor power.  |
| 16 | Code for phase and voltage [V] or other information. See Codes for phase and voltage or other information. |
| 17 | Code for speed variant [rpm]. See Codes for speed variant.   |

1  
Where does NK – Range 2 fit in the overall picture of end-suction

**Example 1: NK 32-180/166AAEF2S3ESBQQEGX4**

shows an NK 32-180 pump with these characteristics:

- 166 mm closed impeller, cylindrical trim
- hydraulic version A
- pump without sensor
- grease-lubricated standard bearing design
- with certificate/report (with standard coupling)
- DIN flange to EN1092-2
- 16 bar flange pressure rating
- cast iron pump housing, EN-GJL-250
- stainless steel impeller, 1.4308
- no wear ring
- stainless steel shaft, 1.4301
- EPDM O-rings for pump cover and seal cover
- single shaft seal arrangement
- BQQE shaft seal
- 1.1 kW motor, no motor or US DOE Regulated Motor (CC marked motor), 4-pole, 60 Hz.

**Example 2: NK**

**150-350/328-324AAEF2TBESBQQEWX2** shows an NK 150-350 pump with these characteristics:

- 328-324 mm closed impeller, conical trim
- hydraulic version A
- pump without sensor
- grease-lubricated standard bearing design
- with certificate/report (with standard coupling)
- DIN flange to EN1092-2
- 16 bar flange pressure rating
- ductile iron pump housing, EN-GJS-500-7
- duplex stainless steel impeller, 1.4517
- no wear ring
- super duplex stainless steel shaft, 1.4410
- EPDM O-rings for pump cover and seal cover
- single shaft seal arrangement
- BQQE shaft seal
- 90 kW motor, no motor or US DOE Regulated Motor (CC marked motor), 2-pole, 60 Hz.

**Example 3: NKE 65-225/242ASA2F2SKESBQQENWA**

shows an NKE 65-225 pump with these characteristics:

- 242 mm closed impeller, cylindrical trim
- hydraulic version A
- Built-in differential-pressure sensor, Series 2000
- grease-lubricated standard bearing design
- spacer coupling
- DIN flange to EN1092-2
- 16 bar flange pressure rating
- cast iron pump housing, EN-GJL-250
- stainless steel impeller, 1.4308
- no wear ring
- super duplex stainless steel shaft, 1.4410
- EPDM O-rings for pump cover and seal cover
- single shaft seal arrangement
- BQQE shaft seal
- 11 kW motor, not for sale in North American, 1450-2200 rpm.

**Related information**

[Letter codes for shaft seals](#)

[Codes for rated motor power](#)

[Codes for phase and voltage or other information](#)

[Codes for speed variant](#)

**Codes for shaft seals**

| Digits | Letters | Description                  |
|--------|---------|------------------------------|
| 12     | BBQE    | Single mechanical shaft seal |
| 13     | BBQV    | Single mechanical shaft seal |
| 15     | BQQE    | Single mechanical shaft seal |
| 16     | BQQV    | Single mechanical shaft seal |
| 19     | AQAE    | Single mechanical shaft seal |
| 20     | AQAV    | Single mechanical shaft seal |
| 21     | AQQE    | Single mechanical shaft seal |
| 22     | AQQV    | Single mechanical shaft seal |
| 23     | AQQX    | Single mechanical shaft seal |
| 24     | AQQK    | Single mechanical shaft seal |
| 25     | DAQF    | Single mechanical shaft seal |
| 26     | DQQE    | Single mechanical shaft seal |
| 27     | DQQV    | Single mechanical shaft seal |
| 28     | DQQX    | Single mechanical shaft seal |
| 29     | DQQK    | Single mechanical shaft seal |
| 50     | HBQV    | Cartridge seal               |
| 51     | HQQU    | Cartridge seal               |
| 52     | HAQK    | Cartridge seal               |
|        | SNEA    | Stuffing box                 |
|        | SNEB    | Stuffing box                 |
|        | SNEC    | Stuffing box                 |
|        | SNED    | Stuffing box                 |
|        | SNOA    | Stuffing box                 |
|        | SNOB    | Stuffing box                 |
|        | SNOC    | Stuffing box                 |
|        | SNOD    | Stuffing box                 |
|        | SNFA    | Stuffing box                 |
|        | SNFB    | Stuffing box                 |
|        | SNFC    | Stuffing box                 |
|        | SNFD    | Stuffing box                 |

**Letter codes for shaft seals**

Pos. 14 in NK type key example.

| Code | Description   | Explanation  |
|------|---|--|
| B    | Shaft seal type   | A: O-ring seal with fixed driver<br>B: Rubber bellows seal<br>D: O-ring seal, balanced<br>H: Cartridge seal, balanced                    |
| Q    | Material of rotating seal face  | A: Carbon, metal-impregnated with antimony which is not approved for potable water<br>B: Carbon, resin-impregnated<br>Q: Silicon carbide |
| Q    | Material of stationary seal   | A: Carbon, metal-impregnated with antimony which is not approved for potable water<br>Q: Silicon carbide                                 |
| E    | Material of secondary seal and other rubber and composite parts, except the wear ring | E: EPDM<br>V: FKM (Viton®)<br>F: FXM (Fluoraz®)<br>K: FFKM (Kalrez®)<br>X: HNBR<br>U: Dynamic O-rings in FFKM and static O-rings in PTFE |

For a thorough description of shaft seal types and materials, see the data booklet "NB, NBG, NK, NKG, NBE, NBGE, NKE, NKGE - Custom-built pumps according to EN 733 and ISO 2858".



## Codes for rated motor power

Pos. 15 in NK type key example.

| Code | Description            |                        |
|------|------------------------|------------------------|
|      | [hp]                   | [kW]                   |
| A    | 0.16                   | 0.12                   |
| B    | 0.25                   | 0.18                   |
| C    | 0.33                   | 0.25                   |
| D    | 0.5                    | 0.37                   |
| E    | 0.75                   | 0.55                   |
| F    | 1                      | 0.75                   |
| G    | 1.5                    | 1.1                    |
| H    | 2                      | 1.5                    |
| I    | 3                      | 2.2                    |
| J    | 4                      | 3                      |
| K    | 5 (5.5 <sup>3)</sup> ) | 3.7 (4 <sup>3)</sup> ) |
| L    | 7.5                    | 5.5                    |
| M    | 10                     | 7.5                    |
| N    | 15                     | 11                     |
| O    | 20                     | 15                     |
| P    | 25                     | 18.5                   |
| Q    | 30                     | 22                     |
| R    | 40                     | 30                     |
| S    | 50                     | 37                     |
| T    | 60                     | 45                     |
| U    | 75                     | 55                     |
| V    | 100                    | 75                     |
| W    | 125                    | 90                     |
| X    | Bare shaft pump        |                        |
| Y    | > 200 <sup>4)</sup>    | > 150 <sup>4)</sup>    |
| 1    | 150                    | 110                    |
| 2    | 175                    | 132                    |
| 3    | 200                    | 150                    |
| 4    | 215 <sup>5)</sup>      | 160 <sup>5)</sup>      |
| 5    | 250 <sup>5)</sup>      | 185 <sup>5)</sup>      |

<sup>3)</sup> Value in bracket is for the standard IEC motor size. Value outside bracket is for the motor size according to NEMA standards.

<sup>4)</sup> Used for pumps where the pump shaft input power exceeds 200 hp (150 kW) and is not regulated under the DOE pump rule.

<sup>5)</sup> Special cases with power sizes above 200 hp (150 kW) which are still regulated under the DOE pump rule. For example: Pump has a P2 value of 198 hp (147.6 kW) in its duty point (in DOE scope) but customer wants the 215 hp (160 kW) motor instead of the 200 hp (150 kW). The pump is in scope of the DOE regulation and requires a PEI value and a motor code.

## Codes for phase and voltage or other information

Pos. 16 in NK type key example.

| Code | Description  |
|------|--|
| A    | E-motor (ECM <sup>6)</sup> ), 1 x 200-240 V          |
| B    | E-motor (ECM <sup>6)</sup> ), 3 x 200-240 V          |
| C    | E-motor (ECM <sup>6)</sup> ), 3 x 440-480 V          |
| D    | E-motor (ECM <sup>6)</sup> ), 3 x 380-500 V          |
| W    | Not for sale in North America                        |
| X    | No motor or US DOE regulated motor (CC marked motor) |
| Y    | Out of DOE scope                                     |
| Z    | E-motor, asynchronous motor                          |

<sup>6)</sup> ECM: Electronically Commutated Motor.

## Codes for speed variant

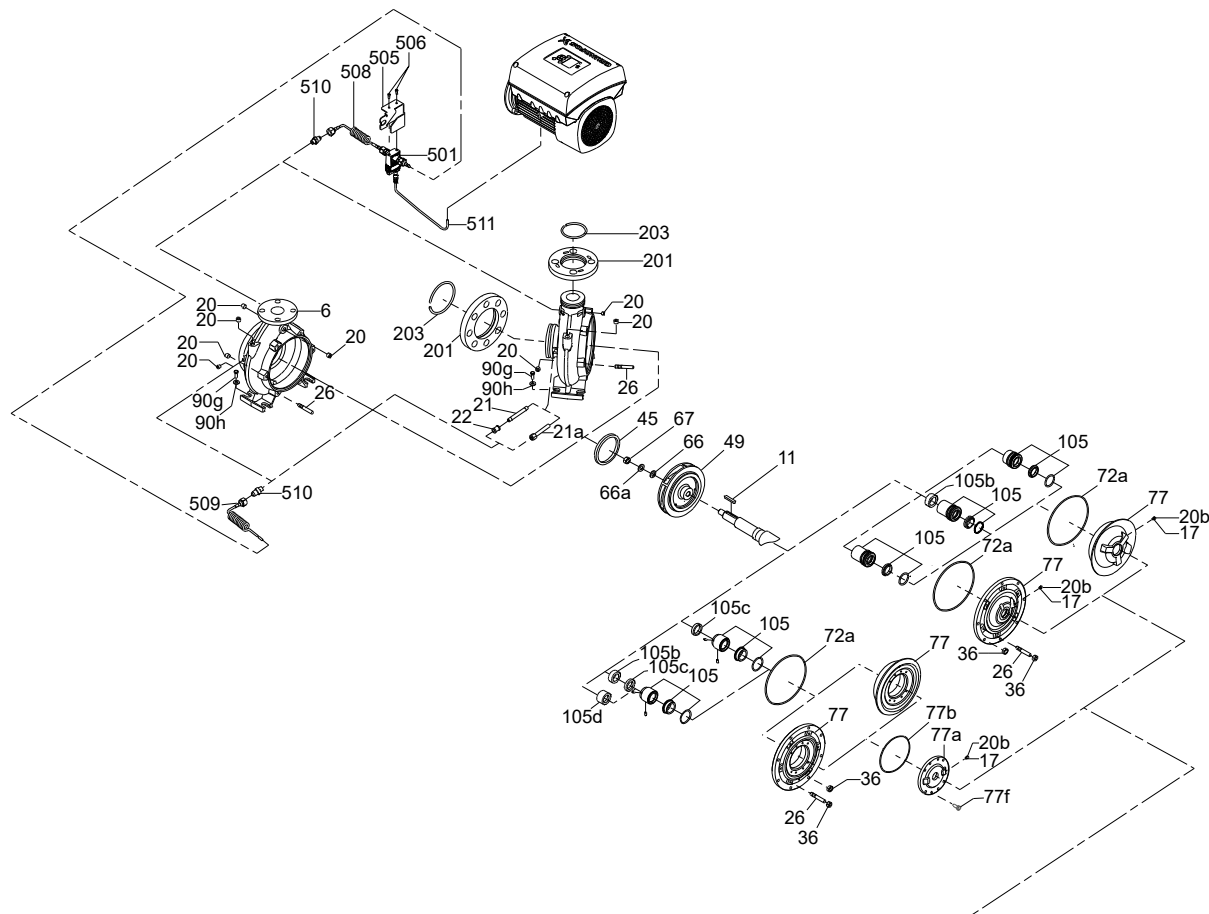
Pos. 17 in NK type key example.

| Code | Description                                 |
|------|---|
| A    | 1450-2200 RPM, E-motor (ECM <sup>7)</sup> ) |
| B    | 2900-4000 RPM, E-motor (ECM <sup>7)</sup> ) |
| C    | 4000-5900 RPM, E-motor (ECM <sup>7)</sup> ) |
| 1    | 2-pole, 50 Hz (Asynchronous motor)          |
| 2    | 2-pole, 60 Hz (Asynchronous motor)          |
| 3    | 4-pole, 50 Hz (Asynchronous motor)          |
| 4    | 4-pole, 60 Hz (Asynchronous motor)          |
| 5    | 6-pole, 50 Hz (Asynchronous motor)          |
| 6    | 6-pole, 60 Hz (Asynchronous motor)          |
| 7    | 8-pole, 50 Hz (Asynchronous motor)          |
| 8    | 8-pole, 60 Hz (Asynchronous motor)          |

<sup>7)</sup> ECM: Electronically Commutated Motor.

## 2. Overview of kits/spares

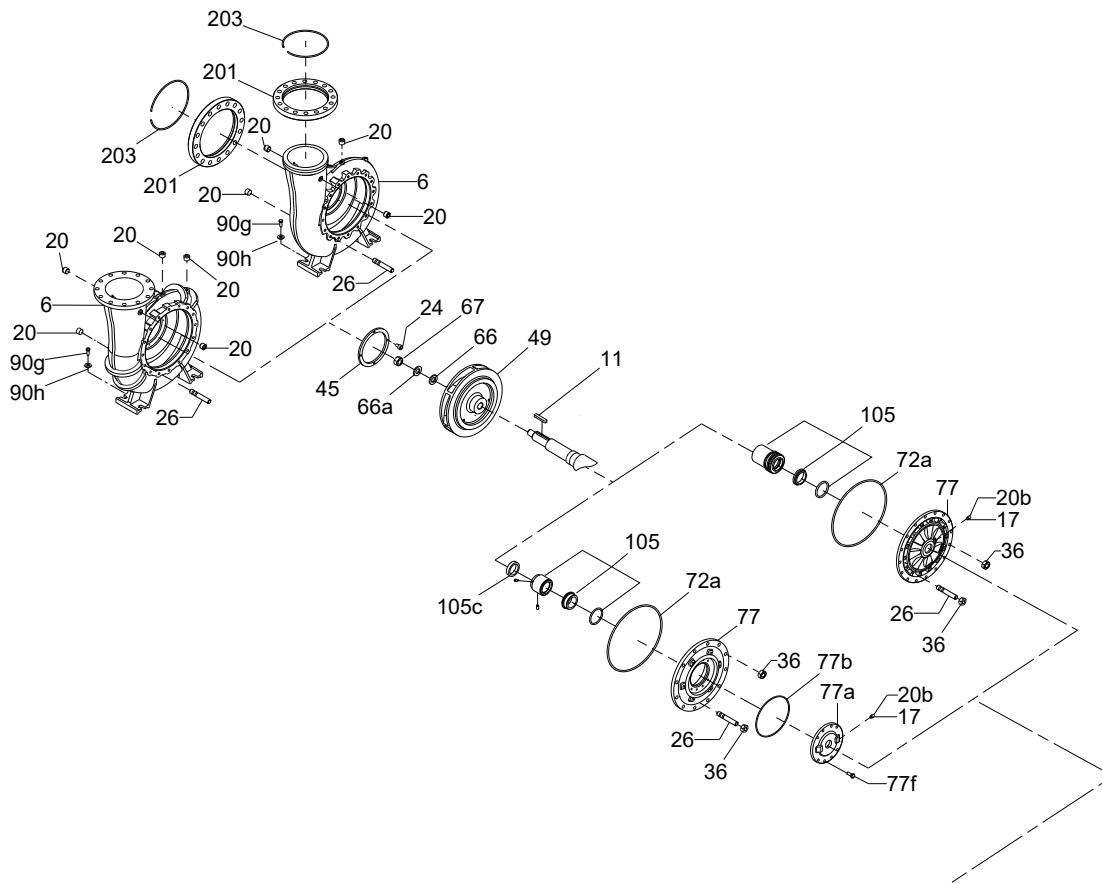
### Centre-line outlet, single seal, closed impeller



TM082100

|   |  |
|---|--|
| Kit - Pump housing                      | Spare/bulk - O-ring for cover and seal cover |
| Spare/kit - Wear ring                   | Kit/spare - Cover                            |
| Kit - Nut, washers and key for impeller | Kit - Seal cover                             |
| Spare - Impeller                        | Kit - Sensor                                 |
| Spare/Bulk - Shaft seal and seal spacer | Kit - Loose flange(s)                        |

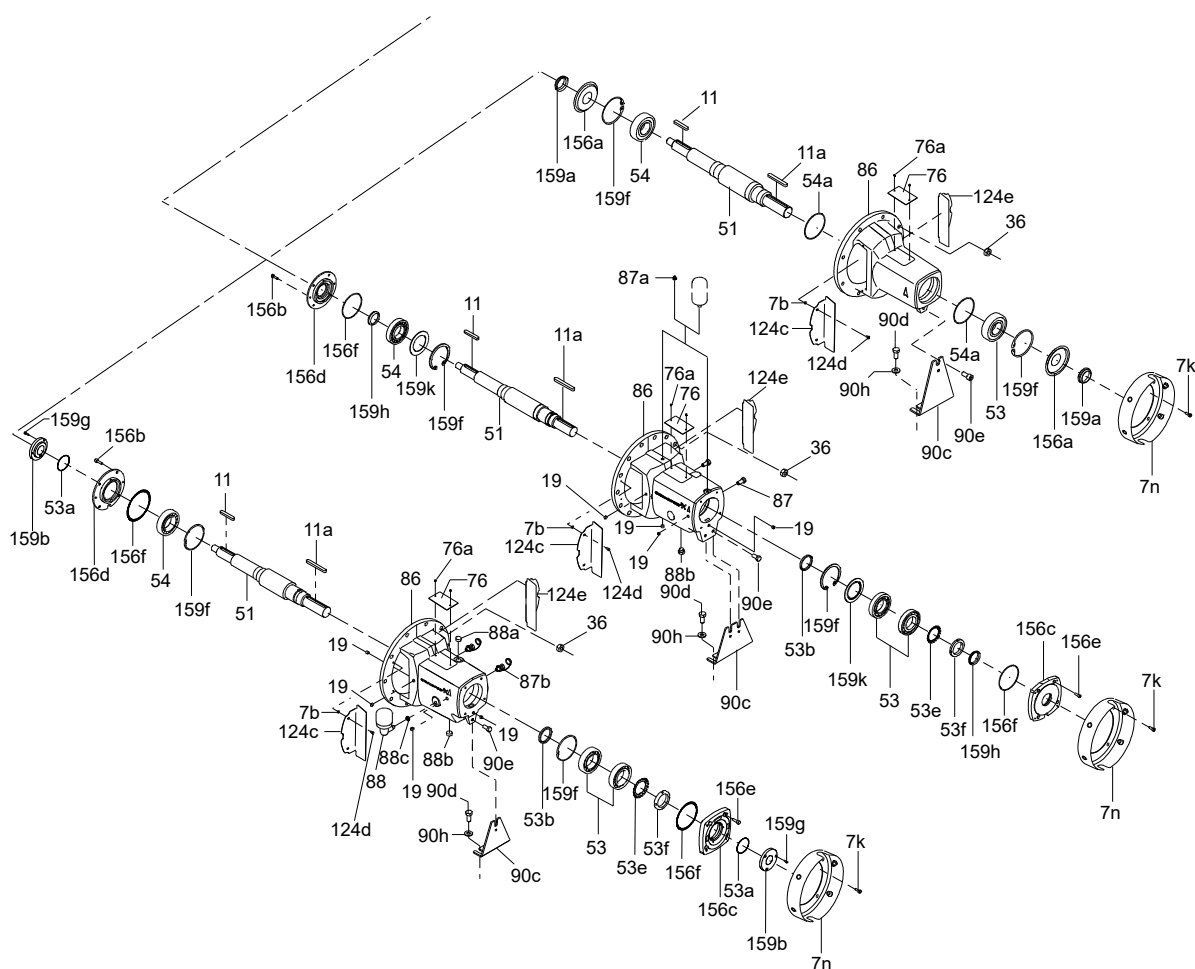
### Tangential outlet, single seal, closed impeller



TM082101

|   |  |
|---|--|
| Kit - pump housing                      | Spare/bulk - O-ring for cover and seal cover |
| Kit/spare - wear ring                   | Kit/spare - Cover                            |
| Kit - Nut, washers and key for impeller | Kit - Seal cover                             |
| Spare - Impeller                        | Kit - Loose flange                           |
| Spare/bulk - Shaft seal and spacer      |  |

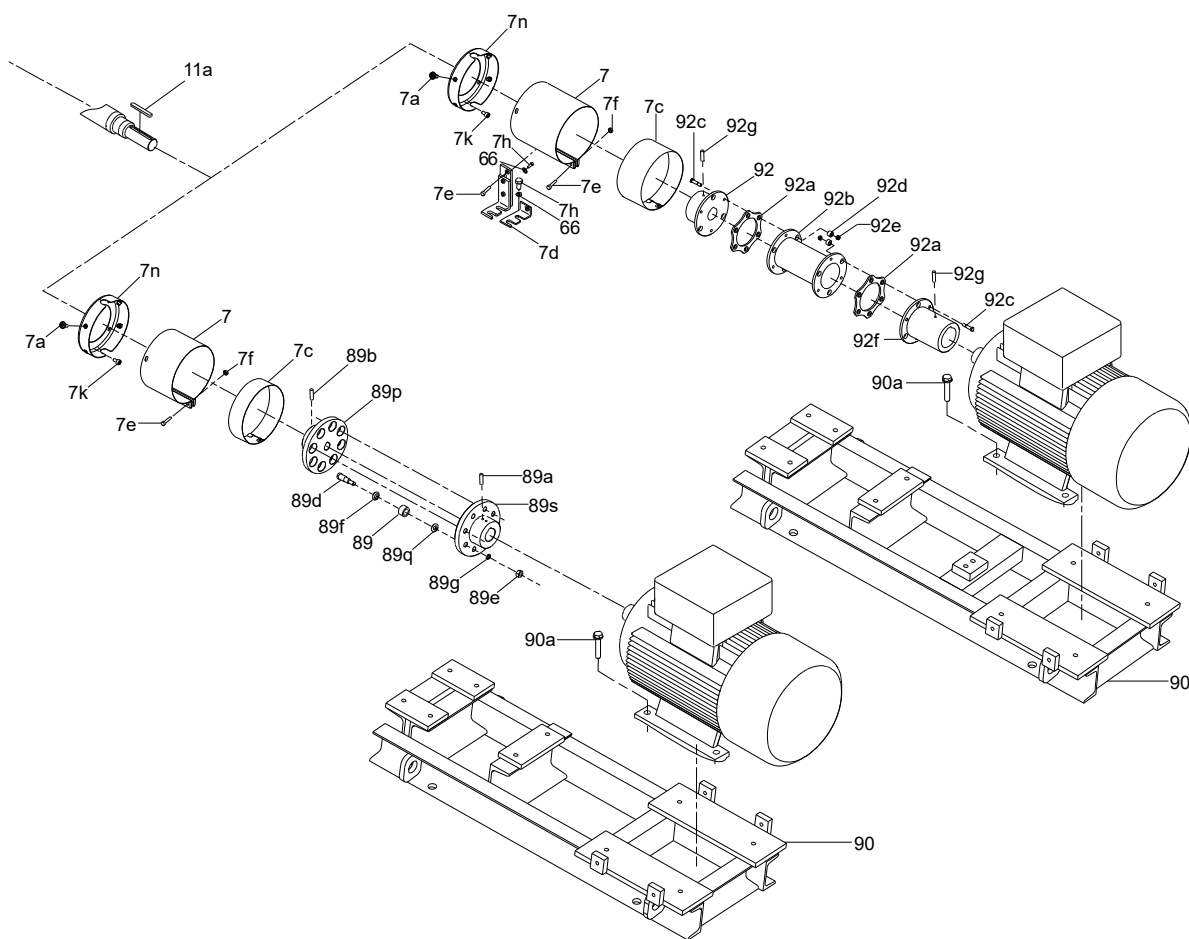
## Bearing brackets



TM062102

| Standard bearing bracket (greased for life) | Heavy Duty bearing bracket (re-greaseable) | Heavy Duty bearing bracket (oil-lub.) |
|---|--|---------------------------------------|
| Kit - Shaft                                 | Kit - Shaft                                | Kit - Shaft                           |
| Kit - Shaft guard                           | Kit - Shaft guard                          | Kit - Shaft guard                     |
| Kit - Standard bearing bracket              | Kit - HD bearing bracket, re-greaseable    | Kit - HD bearing bracket, oil-lub.    |
| Kit - Standard bearings                     | Kit - HD bearings, re-greaseable           | Kit - HD bearings, oil-lub.           |
| Kit - Bearing bracket foot                  | Kit - Bearing bracket foot                 | Kit - Bearing bracket foot            |
| Kit - V-rings                               | Kit - Bearing cover, end                   | Kit - Bearing cover, end              |
|   | Kit - Bearing cover, front                 | Kit - Bearing cover, front            |
|   | Kit - V-rings                              | Kit - Labyrinth seal                  |
|   |  | Kit - Oiler                           |

### Couplings and base frames

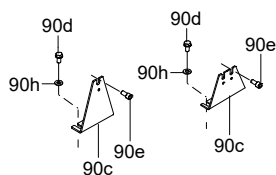


TM082103

| Standard coupling                       | Spacer coupling                            |
|---|--|
| Kit - Coupling guard, standard coupling | Kit - Coupling guard, spacer coupling      |
| Kits - Standard coupling                | Kit - Foot for spacer coupling guard       |
| Kit - Rubber, standard coupling         | Kit - Pump hub, spacer coupling            |
| Kit - Bolts, standard coupling          | Kit - Motor hub, spacer coupling           |
| Spare - Base frame, standard coupling   | Kit - Flexible disc, spacer coupling       |
|   | Spare - Spacer, spacer coupling            |
|   | Kit - Bolt + sleeve + nut, spacer coupling |
|   | Spare - Base frame, spacer coupling        |

## 3. Service kits and spares

### Kit - Bearing bracket foot



TM1040115

#### Kit - Bearing bracket foot

90c: Bearing bracket foot

90d: Needed number of hex head screw(s)/bolt(s)

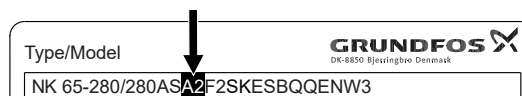
90e: Needed number of hex head screw(s)/bolt(s)

90h: Needed number of washers

#### Step 1: Find the pump size and note the foot code.

| Pump size   | Foot code | Pump size  | Foot code | Pump size  | Foot code |
|-------------|-----------|------------|-----------|------------|-----------|
| 32-130.1-2P | F01       | 50-280-4P  | F04       | 125-180-2P | F05       |
| 32-130.1-4P | F01       | 50-350     | F07       | 125-180-4P | F05       |
| 32-130-2P   | F01       | 65-130-2P  | F03       | 125-225    | F09       |
| 32-130-4P   | F01       | 65-130-4P  | F03       | 125-280    | F09       |
| 32-165.1-2P | F02       | 65-180-2P  | F03       | 125-350    | F14       |
| 32-165.1-4P | F02       | 65-180-4P  | F03       | 125-380    | F15       |
| 32-180-2P   | F02       | 65-225-2P  | F08       | 150-225    | F11       |
| 32-180-4P   | F02       | 65-225-4P  | F05       | 150-280    | F14       |
| 32-205.1-2P | F03       | 65-280     | F08       | 150-300    | F14       |
| 32-205.1-4P | F03       | 80-180-2P  | F03       | 150-350    | F14       |
| 40-130-2P   | F01       | 80-180-4P  | F03       | 150-380    | F18       |
| 40-130-4P   | F01       | 80-225-2P  | F08       | 200-300    | F16       |
| 40-180-2P   | F02       | 80-225-4P  | F05       | 200-350    | F16       |
| 40-180-4P   | F02       | 80-280     | F08       | 200-380    | F19       |
| 40-220-2P   | F04       | 80-350     | F09       | 200-500    | F19       |
| 40-220-4P   | F04       | 100-180-2P | F04       | 250-315    | F19       |
| 40-225-2P   | F04       | 100-180-4P | F04       | 250-360    | F20       |
| 40-225-4P   | F04       | 100-225-2P | F07       | 250-380    | F20       |
| 50-130-2P   | F02       | 100-225-4P | F06       | 300-300    | F21       |
| 50-130-4P   | F02       | 100-280    | F07       | 300-310    | F21       |
| 50-225-2P   | F10       | 100-350    | F09       | 300-350    | F20       |
| 50-225-4P   | F04       | 100-380    | F14       | 300-400    | F20       |
| 50-280-2P   | F10       |            |           | 350-350    | F23       |

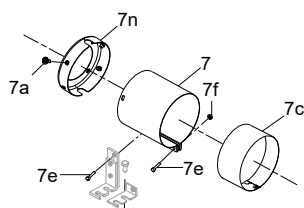
Step 2: Use the foot code and the pump version code to find the needed kit.



pump version code

| Foot code | Kit - Bearing bracket foot |  |
|-----------|----------------------------|--|
|           | Pump version               |  |
|           | A1, A2, I1, I2, Y1         | G1, G2, H1, H2, J1, J2, K1, K2, W1, Z1 |
| F01       | 92728690                   | 92728689                               |
| F02       | 92728692                   | 92728691                               |
| F03       | 92728704                   | 92728694                               |
| F04       | 92728708                   | 92728713                               |
| F05       | 92728709                   | 92728711                               |
| F06       | 92728710                   | 92728712                               |
| F07       | 92728712                   | 92728714                               |
| F08       | 92728711                   | 92728704                               |
| F09       | 92728716                   | 92728715                               |
| F10       | 92728713                   | 92728693                               |
| F11       | 92728717                   | 92728716                               |
| F12       | 92728709                   | 92728714                               |
| F13       | 92728713                   | 92728704                               |
| F14       | 92728718                   | 92728716                               |
| F15       | 92728720                   | 92728719                               |
| F16       | 92728722                   | 92728721                               |
| F17       | 92728723                   | 92728723                               |
| F18       | 92728725                   | 92728725                               |
| F19       | 92728724                   | 92728724                               |
| F20       | 92728726                   | 92728726                               |
| F21       | 92647605                   | 92647605                               |
| F23       | 92647606                   | 92647605                               |

## Kit - Coupling guard, spacer coupling



TM1040107

### Kit - Coupling guard, spacer coupling

7: Coupling guard, spacer coupling

7a: Needed number of screw for retainer/outer part

7c: Coupling guard inner part

7e: Needed number of hex socket head cap screw

7f: Needed number of lock nut

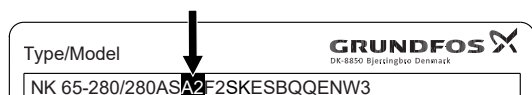
7n: Retainer

1 x Alignment sticker

1 x Grundfos A-logo sticker

**Step 1: Find the motor frame size. Use the Section 3.18 Motors - Relation between P2 (power), pole and frame size for different motor brands.**

**Step 2: Use the pump version code, the pump size, and the motor frame size to find the coupling guard code.**



Pump version code

### Pump versions: A2, I2

| Pump size   | 71M | 80M | 90S | 90L | 100L | 112M-2,6 | 112M-4 | 132S | 132M | 160M | 160L | 180M | 180L | 200L | 225S | 225M | 250M | 280S | 280M | 315S | 315M | 315L | 355M | 355L | 355X |
|-------------|-----|-----|-----|-----|------|----------|--------|------|------|------|------|------|------|------|------|------|------|------|------|------|------|------|------|------|------|
| 32-130.1-2P | 01A | 01A | 01A | 01A | 01A  | 01A      |        | 01A  |      |      |      |      |      |      |      |      |      |      |      |      |      |      |      |      |      |
| 32-130.1-4P | 01A | 01A |     |     |      |          |        |      |      |      |      |      |      |      |      |      |      |      |      |      |      |      |      |      |      |
| 32-130-2P   | 01A | 01A | 01A | 01A | 01A  | 01A      |        | 01A  |      |      |      |      |      |      |      |      |      |      |      |      |      |      |      |      |      |
| 32-130-4P   | 01A | 01A |     |     |      |          |        |      |      |      |      |      |      |      |      |      |      |      |      |      |      |      |      |      |      |
| 32-165.1-2P |     |     | 01A | 01A | 01A  | 01A      |        | 01A  |      |      |      |      |      |      |      |      |      |      |      |      |      |      |      |      |      |
| 32-165.1-4P | 01A | 01A |     |     |      |          |        |      |      |      |      |      |      |      |      |      |      |      |      |      |      |      |      |      |      |
| 32-180-2P   |     |     | 01A | 01A | 01A  | 01A      |        | 01A  |      | 01A  |      |      |      |      |      |      |      |      |      |      |      |      |      |      |      |
| 32-180-4P   | 01A | 01A | 01A |     |      |          |        |      |      |      |      |      |      |      |      |      |      |      |      |      |      |      |      |      |      |
| 32-205.1-2P |     |     |     |     | 01A  | 01A      |        | 01A  |      | 01A  |      |      |      |      |      |      |      |      |      |      |      |      |      |      |      |
| 32-205.1-4P | 01A | 01A | 01A | 01A |      |          |        |      |      |      |      |      |      |      |      |      |      |      |      |      |      |      |      |      |      |
| 40-130-2P   |     |     | 01A | 01A | 01A  | 01A      |        | 01A  |      |      |      |      |      |      |      |      |      |      |      |      |      |      |      |      |      |
| 40-130-4P   | 01A | 01A | 01A |     |      |          |        |      |      |      |      |      |      |      |      |      |      |      |      |      |      |      |      |      |      |
| 40-180-2P   |     |     |     | 01A | 01A  | 01A      |        | 01A  |      | 01A  |      |      |      |      |      |      |      |      |      |      |      |      |      |      |      |
| 40-180-4P   | 01A | 01A | 01A | 01A | 01A  |          |        |      |      |      |      |      |      |      |      |      |      |      |      |      |      |      |      |      |      |
| 40-220-2P   |     |     |     |     |      |          |        |      |      |      |      |      |      |      |      |      |      |      |      |      |      |      |      |      |      |
| 40-220-4P   | 01A | 01A | 01A | 01A |      | 01A      |        |      |      |      |      |      |      |      |      |      |      |      |      |      |      |      |      |      |      |
| 40-225-2P   |     |     |     |     |      |          |        |      |      |      |      |      |      |      |      |      |      |      |      |      |      |      |      |      |      |
| 40-225-4P   | 01A | 01A | 01A | 01A |      | 01A      | 01A    |      |      |      |      |      |      |      |      |      |      |      |      |      |      |      |      |      |      |
| 50-130-2P   |     |     |     |     | 01A  | 01A      |        | 01A  |      | 01A  |      |      |      |      |      |      |      |      |      |      |      |      |      |      |      |
| 50-130-4P   | 01A | 01A | 01A | 01A |      |          |        |      |      |      |      |      |      |      |      |      |      |      |      |      |      |      |      |      |      |
| 50-225-2P   |     |     |     |     |      |          |        | 02B  |      | 02B  | 02B  | 03B  |      | 03B  |      | 03B  |      |      |      |      |      |      |      |      |      |
| 50-225-4P   | 01A | 01A | 01A | 01A |      | 01A      | 01A    |      |      |      |      |      |      |      |      |      |      |      |      |      |      |      |      |      |      |
| 50-280-2P   |     |     |     |     |      |          |        |      |      | 02B  | 02B  | 03B  |      | 03B  |      | 03B  | 04B  | 04B  |      |      |      |      |      |      |      |
| 50-280-4P   |     |     |     |     | 01A  |          | 01A    | 01A  | 01A  | 01A  |      |      |      |      |      |      |      |      |      |      |      |      |      |      |      |
| 50-350      |     |     |     |     | 02B  |          | 02B    | 02B  | 02B  | 02B  | 02B  | 03B  |      |      |      |      |      |      |      |      |      |      |      |      |      |

| Pump size  | 71M | 80M | 90S | 90L | 100L | 112M-2,6 | 112M-4 | 132S | 132M | 160M | 160L | 180M | 180L | 200L | 225S | 225M | 250M | 280S | 280M | 315S | 315M | 315L | 355M | 355L | 355X |     |
|------------|-----|-----|-----|-----|------|----------|--------|------|------|------|------|------|------|------|------|------|------|------|------|------|------|------|------|------|------|-----|
| 65-130-2P  |     |     |     |     |      | 01A      |        | 01A  |      | 01A  | 01A  |      |      |      |      |      |      |      |      |      |      |      |      |      |      |     |
| 65-130-4P  |     | 01A | 01A | 01A | 01A  |          |        |      |      |      |      |      |      |      |      |      |      |      |      |      |      |      |      |      |      |     |
| 65-180-2P  |     |     |     |     | 01A  | 01A      |        | 01A  |      | 01A  | 01A  | 03A  |      |      |      |      |      |      |      |      |      |      |      |      |      |     |
| 65-180-4P  |     | 01A | 01A | 01A | 01A  |          |        |      |      |      |      |      |      |      |      |      |      |      |      |      |      |      |      |      |      |     |
| 65-225-2P  |     |     |     |     |      |          |        |      |      | 02B  | 02B  | 03B  |      | 03B  |      |      |      |      |      |      |      |      |      |      |      |     |
| 65-225-4P  |     | 01A | 01A | 01A | 01A  | 01A      | 01A    | 01A  | 01A  |      |      |      |      |      |      |      |      |      |      |      |      |      |      |      |      |     |
| 65-280     |     |     | 02B | 02B | 02B  | 02B      | 02B    | 02B  | 02B  | 02B  | 02B  |      |      |      |      |      |      |      |      |      |      |      |      |      |      |     |
| 80-180-2P  |     |     |     |     |      | 01A      |        | 01A  |      | 01A  | 01A  | 03A  |      | 03A  |      |      |      |      |      |      |      |      |      |      |      |     |
| 80-180-4P  |     | 01A | 01A | 01A | 01A  |          | 01A    |      |      |      |      |      |      |      |      |      |      |      |      |      |      |      |      |      |      |     |
| 80-225-2P  |     |     |     |     |      |          |        |      |      |      | 02B  | 03B  |      | 03B  |      | 03B  | 04B  | 04B  | 04B  |      |      |      |      |      |      |     |
| 80-225-4P  |     | 01A | 01A | 01A | 01A  | 01A      | 01A    | 01A  | 01A  | 01A  |      |      |      |      |      |      |      |      |      |      |      |      |      |      |      |     |
| 80-280     |     |     | 02B | 02B | 02B  | 02B      | 02B    | 02B  | 02B  | 02B  | 02B  |      |      |      |      |      |      |      |      |      |      |      |      |      |      |     |
| 80-350     |     |     |     |     | 02B  |          | 02B    | 02B  | 02B  | 02B  | 02B  | 03B  | 03B  | 03B  |      |      |      |      |      |      |      |      |      |      |      |     |
| 100-180-2P |     |     |     |     |      |          |        | 01A  |      | 01A  | 01A  | 03A  |      |      |      |      |      |      |      |      |      |      |      |      |      |     |
| 100-180-4P |     | 01A | 01A | 01A | 01A  |          | 01A    | 01A  |      |      |      |      |      |      |      |      |      |      |      |      |      |      |      |      |      |     |
| 100-225-2P |     |     |     |     |      |          |        |      |      |      |      | 03B  |      | 03B  |      | 03B  | 04B  | 04B  | 04B  |      |      |      |      |      |      |     |
| 100-225-4P |     | 01A | 01A | 01A | 01A  | 01A      | 01A    | 01A  | 01A  | 02A  |      |      |      |      |      |      |      |      |      |      |      |      |      |      |      |     |
| 100-280    |     |     | 02B | 02B |      | 02B      | 02B    | 02B  | 02B  | 02B  | 03B  | 03B  |      |      |      |      |      |      |      |      |      |      |      |      |      |     |
| 100-350    |     |     |     |     | 02B  |          | 02B    | 02B  | 02B  | 02B  | 03B  | 03B  | 03B  | 04B  |      |      |      |      |      |      |      |      |      |      |      |     |
| 100-380    |     |     |     |     |      |          | 03C    | 03C  | 03C  |      | 03C  | 03C  | 04C  | 03C  | 04C  | 04C  | 04C  | 06A  |      |      |      |      |      |      |      |     |
| 125-180-2P |     |     |     |     |      |          |        | 01A  | 01A  | 03A  |      | 03A  |      | 03A  | 04A  |      |      |      |      |      |      |      |      |      |      |     |
| 125-180-4P |     | 01A | 01A | 01A | 01A  | 01A      | 01A    | 01A  |      |      |      |      |      |      |      |      |      |      |      |      |      |      |      |      |      |     |
| 125-225    |     |     |     | 02B | 02B  |          | 02B    | 02B  | 02B  | 02B  | 03B  | 03B  |      |      |      |      |      |      |      |      |      |      |      |      |      |     |
| 125-280    |     |     |     |     | 02B  |          | 02B    | 02B  | 02B  | 02B  | 03B  | 03B  | 03B  |      |      |      |      |      |      |      |      |      |      |      |      |     |
| 125-350    |     |     |     |     |      |          | 03C    | 03C  | 03C  | 03C  | 03C  | 03C  | 04C  | 03C  | 04C  |      |      |      |      |      |      |      |      |      |      |     |
| 125-380    |     |     |     |     |      |          |        | 03C  |      | 03C  | 03C  | 04C  | 03C  | 04C  | 04C  | 04C  | 04C  | 06A  |      |      |      |      |      |      |      |     |
| 150-225    |     |     |     |     | 02B  |          | 02B    | 02B  | 02B  | 02B  | 03B  | 03B  | 03B  |      |      |      |      |      |      |      |      |      |      |      |      |     |
| 150-280    |     |     |     |     |      |          | 03C    | 03C  | 03C  | 03C  | 03C  | 03C  | 03C  | 04C  | 03C  |      |      |      |      |      |      |      |      |      |      |     |
| 150-300    |     |     |     |     |      |          |        | 03C  | 03C  |      | 03C  | 03C  | 04C  | 03C  | 04C  |      |      |      |      |      |      |      |      |      |      |     |
| 150-350    |     |     |     |     |      |          |        | 03C  | 03C  | 03C  | 03C  | 03C  | 03C  | 04C  | 03C  | 04C  | 04C  | 04C  |      |      |      |      |      |      |      |     |
| 150-380    |     |     |     |     |      |          |        |      |      |      | 04E  | 04E  |      | 04E  | 04E  | 04E  | 04E  | 04E  | 06C  | 06C  | 06C  |      |      |      |      |     |
| 200-300    |     |     |     |     |      |          |        |      |      | 03C  | 03C  | 03C  | 04C  | 03C  | 04C  | 04C  |      |      |      |      |      |      |      |      |      |     |
| 200-350    |     |     |     |     |      |          |        | 03C  | 03C  | 03C  |      | 03C  | 03C  | 04C  | 03C  | 04C  | 04C  | 04C  | 06A  | 06A  | 06A  |      |      |      |      |     |
| 200-380    |     |     |     |     |      |          |        |      |      |      | 04E  | 04E  |      | 04E  | 04E  | 04E  | 04E  | 06C  | 06C  | 06C  |      |      |      |      |      |     |
| 200-500    |     |     |     |     |      |          |        |      |      |      |      |      |      |      |      | 04E  | 04E  | 04E  | 06C  | 06C  | 06C  | 06C  | 06C  | 06C  | 06C  | 06C |
| 250-315    |     |     |     |     |      |          |        |      | 04E  | 04E  |      | 04E  | 04E  | 04E  | 04E  | 04E  | 04E  | 04E  |      |      |      |      |      |      |      |     |
| 250-360    |     |     |     |     |      |          |        |      |      | 04E  | 04E  | 04E  | 04E  | 04E  | 04E  | 04E  | 04E  | 04E  | 06C  | 06C  | 06C  |      |      |      |      |     |
| 250-380    |     |     |     |     |      |          |        |      |      |      | 04E  | 04E  | 04E  | 04E  | 04E  | 04E  | 04E  | 06C  | 06C  | 06C  |      |      |      |      |      |     |
| 300-300    |     |     |     |     |      |          |        |      |      | 04E  | 04E  | 04E  |      | 04E  | 04E  | 04E  | 04E  | 06C  | 06C  | 06C  |      |      |      |      |      |     |
| 300-310    |     |     |     |     |      |          |        |      |      |      | 04E  | 04E  |      | 04E  | 04E  | 04E  | 04E  | 06C  | 06C  |      |      |      |      |      |      |     |
| 300-350    |     |     |     |     |      |          |        |      |      |      |      |      |      |      | 04E  | 04E  | 04E  | 04E  | 06C  | 06C  | 06C  |      |      |      |      |     |
| 300-400    |     |     |     |     |      |          |        |      |      |      |      |      |      |      |      |      |      | 04E  | 06C  | 06C  | 06C  | 06C  | 06C  | 06C  |      |     |
| 350-350    |     |     |     |     |      |          |        |      |      |      |      |      |      |      |      | 04E  | 04E  | 04E  | 04E  | 06C  | 06C  | 06C  |      |      |      |     |



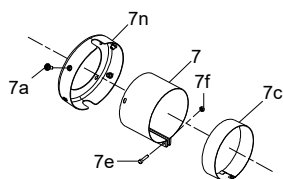
**Pump versions: G2, H2, J2, K2**

| Pump size  | 71M | 80M | 90S | 90L | 100L | 112M-2,6 | 112M-4 | 132S | 132M | 160M | 160L | 180M | 180L | 200L | 225S | 225M | 250M | 280S | 280M | 315S | 315M | 315L | 355M | 355L | 355X |  |     |
|------------|-----|-----|-----|-----|------|----------|--------|------|------|------|------|------|------|------|------|------|------|------|------|------|------|------|------|------|------|--|-----|
| 40-220-2P  |     |     |     |     |      |          |        | 02B  |      | 02B  | 02B  | 03B  |      | 03B  |      |      |      |      |      |      |      |      |      |      |      |  |     |
| 40-225-2P  |     |     |     |     |      |          |        | 02B  |      | 02B  | 02B  | 03B  |      | 03B  |      |      |      |      |      |      |      |      |      |      |      |  |     |
| 65-225-2P  |     |     |     |     |      |          |        |      |      |      | 03D  | 03D  |      | 03D  |      | 03D  | 04D  |      |      |      |      |      |      |      |      |  |     |
| 100-180-2P |     |     |     |     |      |          |        |      |      | 02B  | 02B  | 03B  |      | 03B  |      |      |      |      |      |      |      |      |      |      |      |  |     |
| 200-350    |     |     |     |     |      |          |        |      | 03D  | 03D  | 03D  |      | 03D  | 03D  | 04D  | 03D  | 04D  | 04D  | 04D  | 04D  | 06B  | 06B  | 06B  |      |      |  |     |
| 300-310    |     |     |     |     |      |          |        |      |      |      |      |      | 04E  | 04E  |      | 04E  | 04E  | 04E  | 04E  | 04E  | 06C  | 06C  | 06C  |      |      |  |     |
| 300-350    |     |     |     |     |      |          |        |      |      |      |      |      |      |      |      |      |      | 04E  | 04E  | 06C  |      | 06C  | 06C  | 06C  |      |  |     |
| 300-400    |     |     |     |     |      |          |        |      |      |      |      |      |      |      |      |      |      |      |      |      |      |      | 06C  | 06C  |      |  | 06C |
| 350-350    |     |     |     |     |      |          |        |      |      |      |      |      |      |      |      |      |      | 04E  | 04E  | 06C  | 06C  | 06C  |      |      |      |  |     |

**Step 3: Use the coupling guard code, check the material of the coupling guard, and find the needed kit.**

| Coupling guard code | Coupling guard cpl. | Kit - Coupling guard for spacer coupling |
|---------------------|---------------------|--|
|                     |                     | Black painted steel                      |
| 01A                 | D125 PCD100 210/354 | <a href="#">92780111</a>                 |
| 02A                 | D140 PCD100 230/344 | <a href="#">92780112</a>                 |
| 02B                 | D140 PCD116 240/420 | <a href="#">92780113</a>                 |
| 03A                 | D180 PCD100 290/380 | <a href="#">92780114</a>                 |
| 03B                 | D180 PCD116 290/434 | <a href="#">92780115</a>                 |
| 03C                 | D180 PCD146 290/520 | <a href="#">92780116</a>                 |
| 03D                 | D180 PCD155 290/494 | <a href="#">92780117</a>                 |
| 04A                 | D220 PCD100 360/420 | <a href="#">92780118</a>                 |
| 04B                 | D220 PCD116 360/434 | <a href="#">92780119</a>                 |
| 04C                 | D220 PCD146 360/520 | <a href="#">92780130</a>                 |
| 04D                 | D220 PCD155 360/504 | <a href="#">92780131</a>                 |
| 04E                 | D220 PCD200 360/620 | <a href="#">92780132</a>                 |
| 06A                 | D350 PCD146 510/550 | <a href="#">92780133</a>                 |
| 06B                 | D350 PCD155 510/550 | <a href="#">92780134</a>                 |
| 06C                 | D350 PCD200 510/714 | <a href="#">92780135</a>                 |

## Kit - Coupling guard, standard coupling



TM1040105

### Kit - Coupling guard, standard coupling

7: Coupling guard, spacer coupling

7a: Needed number of screw for retainer/outer part

7c: Coupling guard inner part

7e: Needed number of hex socket head cap screw

7f: Needed number of lock nut

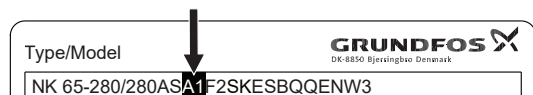
7n: Retainer

1 x Alignment sticker

1 x Grundfos A-logo sticker

**Step 1: Find the motor frame size. Use the Section 3.18 Motors - Relation between P2 (power), pole and frame size for different motor brands.**

**Step 2: Use the pump version code, the pump size, and the motor frame size to find the coupling guard code.**



Pump version code

### Pump versions: A1, I1

| Pump size   | 71M | 80M | 90S | 90L | 100L | 112M-2,6 | 112M-4 | 132S | 132M | 160M | 160L | 180M | 180L | 200L | 225S | 225M | 250M | 280S | 280M | 315S | 315M | 315L | 355M | 355L | 355X |
|-------------|-----|-----|-----|-----|------|----------|--------|------|------|------|------|------|------|------|------|------|------|------|------|------|------|------|------|------|------|
| 32-130.1-2P |     | A01 | B01 | B01 | B01  | C01      |        | C02  |      |      |      |      |      |      |      |      |      |      |      |      |      |      |      |      |      |
| 32-130.1-4P | A01 | A01 |     |     |      |          |        |      |      |      |      |      |      |      |      |      |      |      |      |      |      |      |      |      |      |
| 32-130-2P   |     | A01 | B01 | B01 | B01  | C01      |        | C02  |      |      |      |      |      |      |      |      |      |      |      |      |      |      |      |      |      |
| 32-130-4P   | A01 | A01 |     |     |      |          |        |      |      |      |      |      |      |      |      |      |      |      |      |      |      |      |      |      |      |
| 32-165.1-2P |     |     | B01 | B01 | B01  | C01      |        | C02  |      |      |      |      |      |      |      |      |      |      |      |      |      |      |      |      |      |
| 32-165.1-4P | A01 | A01 |     |     |      |          |        |      |      |      |      |      |      |      |      |      |      |      |      |      |      |      |      |      |      |
| 32-180-2P   |     |     | B01 | B01 | B01  | C01      |        | C02  |      | C02  |      |      |      |      |      |      |      |      |      |      |      |      |      |      |      |
| 32-180-4P   | A01 | A01 | B01 |     |      |          |        |      |      |      |      |      |      |      |      |      |      |      |      |      |      |      |      |      |      |
| 32-205.1-2P |     |     |     |     | B01  | C01      |        | C02  |      | C02  |      |      |      |      |      |      |      |      |      |      |      |      |      |      |      |
| 32-205.1-4P | A01 | A01 | B01 | B01 |      |          |        |      |      |      |      |      |      |      |      |      |      |      |      |      |      |      |      |      |      |
| 40-130-2P   |     |     | B01 | B01 | B01  | C01      |        | C02  |      |      |      |      |      |      |      |      |      |      |      |      |      |      |      |      |      |
| 40-130-4P   | A01 | A01 | B01 |     |      |          |        |      |      |      |      |      |      |      |      |      |      |      |      |      |      |      |      |      |      |
| 40-180-2P   |     |     |     | B01 | B01  | C01      |        | C02  |      | C02  |      |      |      |      |      |      |      |      |      |      |      |      |      |      |      |
| 40-180-4P   | A01 | A01 | B01 | B01 | B01  |          |        |      |      |      |      |      |      |      |      |      |      |      |      |      |      |      |      |      |      |
| 40-220-2P   |     |     |     |     |      |          |        |      |      |      |      |      |      |      |      |      |      |      |      |      |      |      |      |      |      |
| 40-220-4P   |     | A01 | B01 | B01 | B01  |          | C01    |      |      |      |      |      |      |      |      |      |      |      |      |      |      |      |      |      |      |
| 40-225-2P   |     |     |     |     |      |          |        |      |      |      |      |      |      |      |      |      |      |      |      |      |      |      |      |      |      |
| 40-225-4P   |     | A01 | B01 | B01 | B01  |          | C01    | C02  |      |      |      |      |      |      |      |      |      |      |      |      |      |      |      |      |      |
| 50-130-2P   |     |     |     |     | B01  | C01      |        | C02  |      | C02  |      |      |      |      |      |      |      |      |      |      |      |      |      |      |      |
| 50-130-4P   | A01 | A01 | B01 | B01 |      |          |        |      |      |      |      |      |      |      |      |      |      |      |      |      |      |      |      |      |      |
| 50-225-2P   |     |     |     |     |      |          |        | C03  |      | C04  | C04  | D02  |      | D03  |      | D03  |      |      |      |      |      |      |      |      |      |
| 50-225-4P   |     | A01 | B01 | B01 | B01  |          | C01    | C02  |      |      |      |      |      |      |      |      |      |      |      |      |      |      |      |      |      |
| 50-280-2P   |     |     |     |     |      |          |        |      |      | C04  | C04  | D02  |      | D03  |      | D03  | E02  | E02  |      |      |      |      |      |      |      |
| 50-280-4P   |     |     |     |     | B01  |          | C01    | C02  | C02  | C02  |      |      |      |      |      |      |      |      |      |      |      |      |      |      |      |
| 50-350      |     |     |     |     | B03  |          | C03    | C03  | C03  | C04  | C04  | D02  |      |      |      |      |      |      |      |      |      |      |      |      |      |

| Pump size  | 71M | 80M | 90S | 90L | 100L | 112M-2,6 | 112M-4 | 132S | 132M | 160M | 160L | 180M | 180L | 200L | 225S | 225M | 250M | 280S | 280M | 315S | 315M | 315L | 355M | 355L | 355X |     |
|------------|-----|-----|-----|-----|------|----------|--------|------|------|------|------|------|------|------|------|------|------|------|------|------|------|------|------|------|------|-----|
| 65-130-2P  |     |     |     |     |      | C01      |        | C02  |      | C02  | C02  |      |      |      |      |      |      |      |      |      |      |      |      |      |      |     |
| 65-130-4P  | A01 | B01 | B01 | B01 |      |          |        |      |      |      |      |      |      |      |      |      |      |      |      |      |      |      |      |      |      |     |
| 65-180-2P  |     |     |     | B01 | C01  |          |        | C02  |      | C02  | C02  | D01  |      |      |      |      |      |      |      |      |      |      |      |      |      |     |
| 65-180-4P  | A01 | B01 | B01 | B01 |      |          |        |      |      |      |      |      |      |      |      |      |      |      |      |      |      |      |      |      |      |     |
| 65-225-2P  |     |     |     |     |      |          |        |      |      | C04  | C04  | D02  |      | D03  |      |      |      |      |      |      |      |      |      |      |      |     |
| 65-225-4P  | A01 | B01 | B01 | B01 | C01  | C01      | C02    | C02  |      |      |      |      |      |      |      |      |      |      |      |      |      |      |      |      |      |     |
| 65-280     |     |     | B03 | B03 | B03  | C03      | C03    | C03  | C03  | C04  |      |      |      |      |      |      |      |      |      |      |      |      |      |      |      |     |
| 80-180-2P  |     |     |     |     | C01  |          |        | C02  |      | C02  | C02  | D01  |      | D01  |      |      |      |      |      |      |      |      |      |      |      |     |
| 80-180-4P  | A01 | B01 | B01 | B01 |      | C01      |        |      |      |      |      |      |      |      |      |      |      |      |      |      |      |      |      |      |      |     |
| 80-225-2P  |     |     |     |     |      |          |        |      |      |      | C04  | D02  |      | D03  |      | D03  | E02  | E02  | E02  |      |      |      |      |      |      |     |
| 80-225-4P  |     | B01 | B01 | B01 | C01  | C01      | C02    | C02  | C02  |      |      |      |      |      |      |      |      |      |      |      |      |      |      |      |      |     |
| 80-280     |     |     | B03 | B03 | C03  | C03      | C03    | C03  | C04  | C04  |      |      |      |      |      |      |      |      |      |      |      |      |      |      |      |     |
| 80-350     |     |     |     |     | C03  |          | C03    | C03  | C04  | C04  | D02  | D02  | D03  |      |      |      |      |      |      |      |      |      |      |      |      |     |
| 100-180-2P |     |     |     |     |      |          |        | C02  |      | C02  | C02  | D01  |      |      |      |      |      |      |      |      |      |      |      |      |      |     |
| 100-180-4P | A01 | B01 | B01 | B01 |      | C01      | C02    |      |      |      |      |      |      |      |      |      |      |      |      |      |      |      |      |      |      |     |
| 100-225-2P |     |     |     |     |      |          |        |      |      |      |      | D02  |      | D03  |      | D03  | E02  | E02  | E02  |      |      |      |      |      |      |     |
| 100-225-4P |     | B01 | B01 | C01 | C01  | C02      | C02    | C02  | C02  |      |      |      |      |      |      |      |      |      |      |      |      |      |      |      |      |     |
| 100-280    |     |     | B03 | C03 |      | C03      | C03    | C04  | C04  | D02  | D02  |      |      |      |      |      |      |      |      |      |      |      |      |      |      |     |
| 100-350    |     |     |     | C03 |      | C03      | C03    | C04  | C04  | D02  | D02  | D03  | E02  |      |      |      |      |      |      |      |      |      |      |      |      |     |
| 100-380    |     |     |     |     |      | C05      | C05    | C05  |      | D04  | D04  | E03  | E03  | E03  | F01  | F01  | F01  |      |      |      |      |      |      |      |      |     |
| 125-180-2P |     |     |     |     |      |          |        | C02  | C02  | D01  |      | D01  |      | D01  | E01  |      |      |      |      |      |      |      |      |      |      |     |
| 125-180-4P | A01 | B01 | B01 | B01 | C01  | C01      | C02    | C02  |      |      |      |      |      |      |      |      |      |      |      |      |      |      |      |      |      |     |
| 125-225    |     |     | B03 | C03 |      | C03      | C03    | C04  | C04  | D02  | D02  |      |      |      |      |      |      |      |      |      |      |      |      |      |      |     |
| 125-280    |     |     |     | C03 |      | C03      | C03    | C04  | C04  | D02  | D02  | D03  |      |      |      |      |      |      |      |      |      |      |      |      |      |     |
| 125-350    |     |     |     |     |      | C05      | C05    | C05  | D04  | D04  | D04  | E03  | E03  | E03  |      |      |      |      |      |      |      |      |      |      |      |     |
| 125-380    |     |     |     |     |      |          |        | C05  |      | D04  | D04  | E03  | E03  | E03  | F01  | F01  | F01  |      |      |      |      |      |      |      |      |     |
| 150-225    |     |     |     |     | C03  |          | C03    | C03  | C04  | C04  | D02  | D02  | D03  |      |      |      |      |      |      |      |      |      |      |      |      |     |
| 150-280    |     |     |     |     |      |          | C05    | C05  | C05  | C05  | D04  | D04  | D04  | E03  | E03  |      |      |      |      |      |      |      |      |      |      |     |
| 150-300    |     |     |     |     |      |          |        | C05  | C05  |      | D04  | D04  | E03  | E03  | E03  |      |      |      |      |      |      |      |      |      |      |     |
| 150-350    |     |     |     |     |      |          |        | C05  | C05  | C05  | D04  | D04  | D04  | E03  | E03  | E03  | F01  | F01  |      |      |      |      |      |      |      |     |
| 150-380    |     |     |     |     |      |          |        |      |      |      | D06  | D06  |      | E05  | E05  | F02  | F02  | F02  | F02  | F02  | F02  | F02  |      |      |      |     |
| 200-300    |     |     |     |     |      |          |        |      | C05  |      | D04  | D04  | E03  | E03  | E03  | F01  |      |      |      |      |      |      |      |      |      |     |
| 200-350    |     |     |     |     |      |          |        | C05  | C05  | C05  |      | D04  | D04  | E03  | E03  | E03  | F01  | F01  | F01  | F01  | F01  |      |      |      |      |     |
| 200-380    |     |     |     |     |      |          |        |      |      |      | D06  | D06  |      | E05  | E05  | F02  | F02  | F02  | F02  | F02  | F02  | F02  |      |      |      |     |
| 200-500    |     |     |     |     |      |          |        |      |      |      |      |      |      |      |      | E05  | F02  | F02  | F02  | F02  | F02  | F02  | F02  | F02  | F02  | F05 |
| 250-315    |     |     |     |     |      |          |        |      | D06  | D06  |      | D06  | D06  | E05  | E05  | E05  | F02  | F02  |      |      |      |      |      |      |      |     |
| 250-360    |     |     |     |     |      |          |        |      |      | D06  |      | D06  | D06  | E05  | E05  | E05  | F02  | F02  | F02  | F02  | F02  | F02  |      |      |      |     |
| 250-380    |     |     |     |     |      |          |        |      |      |      |      | D06  |      | E05  | E05  | F02  | F02  | F02  | F02  | F02  | F02  |      |      |      |      |     |
| 300-300    |     |     |     |     |      |          |        |      |      | D06  |      | D06  | D06  |      | E05  | E05  | F02  | F02  | F02  | F02  | F02  | F02  |      |      |      |     |
| 300-310    |     |     |     |     |      |          |        |      |      |      | D06  | D06  |      | E05  | E05  | F02  | F02  | F02  | F02  |      |      |      |      |      |      |     |
| 300-350    |     |     |     |     |      |          |        |      |      |      |      |      |      |      | E05  | E05  | F02  | F02  | F02  | F02  | F02  |      |      |      |      |     |
| 300-400    |     |     |     |     |      |          |        |      |      |      |      |      |      |      |      |      | F02  | F02  | F02  | F02  | F02  | F02  | F02  |      |      |     |
| 350-350    |     |     |     |     |      |          |        |      |      |      |      |      |      |      | E05  | E05  | F02  | F02  | F02  | F02  | F02  |      |      |      |      |     |

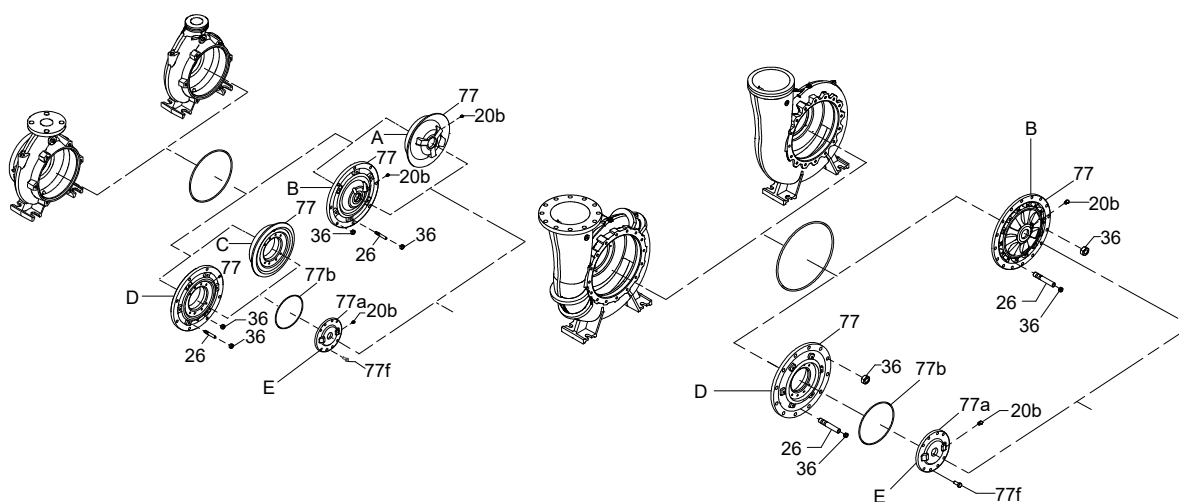
## Pump versions: G1, H1, J1, K1

| Pump size  | 71M | 80M | 90S | 90L | 100L | 112M-2,6 | 112M-4 | 132S | 132M | 160M | 160L | 180M | 180L | 200L | 225S | 225M | 250M | 280S | 280M | 315S | 315M | 315L | 355M | 355L | 355X |     |
|------------|-----|-----|-----|-----|------|----------|--------|------|------|------|------|------|------|------|------|------|------|------|------|------|------|------|------|------|------|-----|
| 40-220-2P  |     |     |     |     |      |          |        | C03  |      | C03  | C03  | D02  |      | D02  |      |      |      |      |      |      |      |      |      |      |      |     |
| 40-225-2P  |     |     |     |     |      |          |        | C03  |      | C03  | C03  | D02  |      | D02  |      |      |      |      |      |      |      |      |      |      |      |     |
| 65-225-2P  |     |     |     |     |      |          |        |      |      |      | C06  | D05  |      | D05  |      | D05  | E04  |      |      |      |      |      |      |      |      |     |
| 100-180-2P |     |     |     |     |      |          |        |      |      | C03  | C03  | D02  |      | D02  |      |      |      |      |      |      |      |      |      |      |      |     |
| 200-350    |     |     |     |     |      |          |        |      | C06  | C06  | C06  |      | D05  | D05  | E04  | E04  | E04  | F04  | F04  | F04  | F04  | F04  | F04  |      |      |     |
| 300-310    |     |     |     |     |      |          |        |      |      |      |      |      | D06  | D06  |      | E05  | E05  | F02  | F02  | F02  | F02  | F02  |      |      |      |     |
| 300-350    |     |     |     |     |      |          |        |      |      |      |      |      |      |      |      |      |      | F02  | F02  | F02  |      | F02  | F02  | F02  |      |     |
| 300-400    |     |     |     |     |      |          |        |      |      |      |      |      |      |      |      |      |      |      |      |      |      |      | F02  | F02  |      | F05 |
| 350-350    |     |     |     |     |      |          |        |      |      |      |      |      |      |      |      |      |      | F02  | F02  | F02  | F02  | F02  |      |      |      |     |

**Step 3: Use the coupling guard code, check the material of the coupling guard, and find the needed kit.**

| Coupling guard code | Coupling guard cpl. | Kit - Coupling guard for spacer coupling |
|---------------------|---------------------|--|
|                     |                     | Black painted steel                      |
| A01                 | D125 PCD100 94/109  | <a href="#">92722965</a>                 |
| A03                 | D125 PCD100 110/154 | <a href="#">92722966</a>                 |
| B01                 | D140 PCD100 94/134  | <a href="#">92722967</a>                 |
| B03                 | D140 PCD116 144/184 | <a href="#">92722968</a>                 |
| B04                 | D140 PCD100 110/154 | <a href="#">92722969</a>                 |
| B05                 | D140 PCD100 144/204 | <a href="#">92722980</a>                 |
| C01                 | D180 PCD100 124/139 | <a href="#">92722981</a>                 |
| C02                 | D180 PCD100 144/204 | <a href="#">92722982</a>                 |
| C03                 | D180 PCD116 144/204 | <a href="#">92722983</a>                 |
| C04                 | D180 PCD116 174/234 | <a href="#">92722984</a>                 |
| C05                 | D180 PCD146 174/264 | <a href="#">92722985</a>                 |
| C06                 | D180 PCD155 174/264 | <a href="#">92722986</a>                 |
| C07                 | D180 PCD116 174/288 | <a href="#">92722987</a>                 |
| C08                 | D180 PCD146 174/288 | <a href="#">92722988</a>                 |
| D01                 | D220 PCD100 174/234 | <a href="#">92722989</a>                 |
| D02                 | D220 PCD116 174/234 | <a href="#">92722990</a>                 |
| D03                 | D220 PCD116 220/260 | <a href="#">92722991</a>                 |
| D04                 | D220 PCD146 220/280 | <a href="#">92722992</a>                 |
| D05                 | D220 PCD155 220/280 | <a href="#">92722993</a>                 |
| D06                 | D220 PCD200 220/280 | <a href="#">92722994</a>                 |
| E01                 | D270 PCD100 220/280 | <a href="#">92722995</a>                 |
| E02                 | D270 PCD116 260/350 | <a href="#">92722996</a>                 |
| E03                 | D270 PCD146 260/320 | <a href="#">92722997</a>                 |
| E04                 | D270 PCD155 260/320 | <a href="#">92722998</a>                 |
| E05                 | D270 PCD200 260/350 | <a href="#">92722999</a>                 |
| E06                 | D270 PCD116 220/280 | <a href="#">92723000</a>                 |
| E07                 | D270 PCD146 260/404 | <a href="#">92723001</a>                 |
| F01                 | D350 PCD146 260/374 | <a href="#">92723002</a>                 |
| F02                 | D350 PCD200 260/374 | <a href="#">92723003</a>                 |
| F03                 | D350 PCD146 310/424 | <a href="#">92723004</a>                 |
| F04                 | D350 PCD155 260/374 | <a href="#">92731219</a>                 |
| F05                 | D350 PCD200 310/424 | <a href="#">92723005</a>                 |

### Kit/spare - Covers



TM1040102

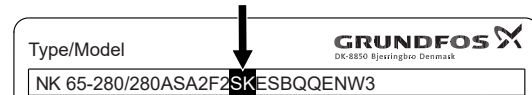
**NOTE! Wear ring for covers will not be offered.**

|                                       |
|---------------------------------------|
| <b>A - Kit - Insert cover</b>         |
| 20b: Plug (in vent hole)              |
| 77: Cover                             |
| <b>C - Spare - Insert cover</b>       |
| 77: Cover                             |
| <b>B - Kit - Bolt-in cover</b>        |
| 20b: Plug                             |
| 26: Needed number of stay bolts       |
| 36: Needed number of hex nuts         |
| 77: Cover                             |
| <b>D - Kit - Bolt-in cover</b>        |
| 26: Needed number of stay bolts       |
| 36: Needed number of hex nuts         |
| 77: Cover                             |
| <b>E - Kit - Seal cover</b>           |
| 20b: Plug (in vent hole)              |
| 77a: Seal cover                       |
| 77f: Needed number of hex head screws |

**Step 1: Find the pump size and the cover code and the seal cover code if necessary.**

| Pump size   | Cover code | Seal cover code | Pump size  | Cover code | Seal cover code |
|-------------|------------|-----------------|------------|------------|-----------------|
| 32-130.1-2P | U1         | A               | 80-225-2P  | F2         | D               |
| 32-130.1-4P | U1         | A               | 80-225-4P  | C          | B               |
| 32-130-2P   | U1         | A               | 80-280     | H          | C               |
| 32-130-4P   | U1         | A               | 80-350     | M          | C               |
| 32-165.1-2P | U2         | B               | 100-180-2P | A2         | B               |
| 32-165.1-4P | U1         | A               | 100-180-4P | A2         | B               |
| 32-180-2P   | A1         | A               | 100-225-2P | F2         | D               |
| 32-180-4P   | A1         | A               | 100-225-4P | C          | B               |
| 32-205.1-2P | V1         | B               | 100-280    | H          | C               |
| 32-205.1-4P | V2         | A               | 100-350    | M          | C               |
| 40-130-2P   | U2         | B               | 100-380    | Q          | F               |
| 40-130-4P   | U1         | A               | 125-180-2P | A2         | B               |
| 40-180-2P   | A2         | B               | 125-180-4P | A2         | B               |
| 40-180-4P   | A1         | A               | 125-225    | D          | D               |
| 40-220-2P   | B          | B               | 125-280    | H          | C               |
| 40-220-4P   | B          | B               | 125-350    | N          | F               |
| 40-225-2P   | B          | B               | 125-380    | Q          | F               |
| 40-225-4P   | B          | B               | 150-225    | D          | D               |
| 50-130-2P   | U2         | B               | 150-280    | K          | F               |
| 50-130-4P   | U1         | A               | 150-300    | P          | F               |
| 50-225-2P   | E          | E               | 150-350    | P          | F               |
| 50-225-4P   | B          | B               | 150-380    | T          | G               |
| 50-280-2P   | E          | E               | 200-300    | P          | F               |
| 50-280-4P   | B          | B               | 200-350    | P          | F               |
| 50-350      | L          | C               | 200-380    | S          | G               |
| 65-130-2P   | U2         | B               | 200-500    | W          | H               |
| 65-130-4P   | U1         | A               | 250-315    | T1         | G               |
| 65-180-2P   | A2         | B               | 250-360    | S          | G               |
| 65-180-4P   | A1         | A               | 250-380    | S          | G               |
| 65-225-2P   | F1         | E               | 300-300    | S1         | G               |
| 65-225-4P   | C          | B               | 300-310    | X          | G               |
| 65-280      | H          | C               | 300-350    | S1         | H               |
| 80-180-2P   | A2         | B               | 300-400    | Y          | H               |
| 80-180-4P   | A1         | A               | 350-350    | Z          | H               |

**Step 2: Use the cover code and the material code to find the correct cover kit.**



**Material code**

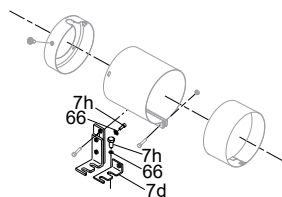
| Cover code | Material code   |                          |
|------------|---|--------------------------|
|            | S3, S4, S5, S8, S9, SK, SL, T2, T3<br>(Cast iron - EN-GJL-250) - PN 10/16 |                          |
|            | Cover, insert (Pos A)   | Cover, bolt in (Pos B)   |
| U1         | <a href="#">92729764</a>  | -                        |
| U2         | <a href="#">92729765</a>  | -                        |
| V1         | -   | <a href="#">92729745</a> |
| V2         | -   | <a href="#">92729746</a> |
| A1         | <a href="#">92729761</a>  | -                        |
| A2         | <a href="#">92729762</a>  | -                        |
| B          | -   | <a href="#">92729747</a> |
| C          | -   | <a href="#">92729748</a> |
| D          | -   | <a href="#">92729749</a> |
| E          | -   | <a href="#">92729750</a> |
| F1         | -   | <a href="#">92729751</a> |
| F2         | -   | <a href="#">92729752</a> |
| H          | -   | <a href="#">92729753</a> |
| K          | <a href="#">92729763</a>  | -                        |
| L          | -   | <a href="#">92729754</a> |
| M          | -   | <a href="#">92729755</a> |
| N          | -   | <a href="#">92729756</a> |
| P          | -   | <a href="#">92729757</a> |
| Q          | -   | <a href="#">92729758</a> |
| S          | -   | <a href="#">92729759</a> |
| S1         | -   | <a href="#">92729778</a> |
| T          | -   | <a href="#">92729760</a> |
| T1         | -   | <a href="#">92729779</a> |
| W          | -   | <a href="#">92782987</a> |
| X          | -   | <a href="#">92782989</a> |
| Y          | -   | <a href="#">92782991</a> |
| Z          | -   | <a href="#">92782993</a> |

| Cover code | Material code   |                        |
|------------|---|------------------------|
|            | SB, SC, SD. SG, SH, SI, SJ, TA, TB<br>(Ductile iron - EN-GJS-500-7) - PN 25 |                        |
|            | Cover, insert (Pos C)   | Cover, bolt in (Pos D) |
| U1         | 92729015  | -                      |
| U2         | 92729015  | -                      |
| V1         | -   | 92729766               |
| V2         | -   | 92729766               |
| A1         | 92521769  | -                      |
| A2         | 92521769  | -                      |
| B          | -   | 92729767               |
| C          | -   | 92729768               |
| D          | -   | 92729769               |
| E          | -   | 92729770               |
| F1         | -   | 92729771               |
| F2         | -   | 92729771               |
| H          | -   | 92729772               |
| K          | 92521768  | -                      |
| L          | -   | 92729773               |
| M          | -   | 92729774               |
| N          | -   | 92729775               |
| P          | -   | 92729776               |
| Q          | -   | 92729777               |
| S          | -   | 92729778               |
| S1         | -   | 92729778               |
| T          | -   | 92729779               |
| T1         | -   | 92729779               |
| W          | -   | 92782987               |
| X          | -   | 92782989               |
| Y          | -   | 92782991               |
| Z          | -   | 92782993               |

**Step 3: Use the seal cover code to find the correct seal cover kit.**

| Seal cover code | Kit, seal cover (all covers in 1.4517) |
|-----------------|--|
| A               | 92729780                               |
| B               | 92729781                               |
| C               | 92729782                               |
| D               | 92729783                               |
| E               | 92729784                               |
| F               | 96887298                               |
| G               | 97536504                               |
| H               | 97536509                               |

## Kit - Foot for spacer coupling guard



TMI1040109

### Kit - Foot for spacer coupling guard

7d: Foot for coupling guard

7h: Needed number of screws

66: Needed number of washers

**Step 1: Find the motor frame size. Use the Section 3.18 Motors - Relation between P2 (power), pole and frame size for different motor brands.**

**Step 2: Use the pump version code, the pump size, and the motor frame size to find the foot code.**



Pump version code

### Pump versions: A2, I2

| Pump size   | 71M | 80M | 90S | 90L | 100L | 112M-2,6 | 112M-4 | 132S | 132M | 160M | 160L | 180M | 180L | 200L | 225S | 225M | 250M | 280S | 280M | 315S | 315M | 315L | 355M | 355L | 355X |  |
|-------------|-----|-----|-----|-----|------|----------|--------|------|------|------|------|------|------|------|------|------|------|------|------|------|------|------|------|------|------|--|
| 32-130.1-2P |     | F07 | F07 | F07 | F07  | F07      |        | F13  |      |      |      |      |      |      |      |      |      |      |      |      |      |      |      |      |      |  |
| 32-130.1-4P | F07 | F07 |     |     |      |          |        |      |      |      |      |      |      |      |      |      |      |      |      |      |      |      |      |      |      |  |
| 32-130-2P   |     | F07 | F07 | F07 | F07  | F07      |        | F13  |      |      |      |      |      |      |      |      |      |      |      |      |      |      |      |      |      |  |
| 32-130-4P   | F07 | F07 |     |     |      |          |        |      |      |      |      |      |      |      |      |      |      |      |      |      |      |      |      |      |      |  |
| 32-165.1-2P |     |     | F13 | F13 | F13  | F13      |        | F13  |      |      |      |      |      |      |      |      |      |      |      |      |      |      |      |      |      |  |
| 32-165.1-4P | F13 | F13 |     |     |      |          |        |      |      |      |      |      |      |      |      |      |      |      |      |      |      |      |      |      |      |  |
| 32-180-2P   |     |     | F13 | F13 | F13  | F13      |        | F13  |      | F20  |      |      |      |      |      |      |      |      |      |      |      |      |      |      |      |  |
| 32-180-4P   | F13 | F13 | F13 |     |      |          |        |      |      |      |      |      |      |      |      |      |      |      |      |      |      |      |      |      |      |  |
| 32-205.1-2P |     |     |     |     | F20  | F20      |        | F20  |      | F20  |      |      |      |      |      |      |      |      |      |      |      |      |      |      |      |  |
| 32-205.1-4P | F20 | F20 | F20 | F20 |      |          |        |      |      |      |      |      |      |      |      |      |      |      |      |      |      |      |      |      |      |  |
| 40-130-2P   |     |     | F07 | F07 | F07  | F07      |        | F14  |      |      |      |      |      |      |      |      |      |      |      |      |      |      |      |      |      |  |
| 40-130-4P   | F07 | F07 | F07 |     |      |          |        |      |      |      |      |      |      |      |      |      |      |      |      |      |      |      |      |      |      |  |
| 40-180-2P   |     |     |     | F13 | F13  | F13      |        | F13  |      | F20  |      |      |      |      |      |      |      |      |      |      |      |      |      |      |      |  |
| 40-180-4P   | F13 | F13 | F13 | F13 | F13  |          |        |      |      |      |      |      |      |      |      |      |      |      |      |      |      |      |      |      |      |  |
| 40-220-2P   |     |     |     |     |      |          |        |      |      |      |      |      |      |      |      |      |      |      |      |      |      |      |      |      |      |  |
| 40-220-4P   |     | F21 | F21 | F21 | F21  |          | F21    |      |      |      |      |      |      |      |      |      |      |      |      |      |      |      |      |      |      |  |
| 40-225-2P   |     |     |     |     |      |          |        |      |      |      |      |      |      |      |      |      |      |      |      |      |      |      |      |      |      |  |
| 40-225-4P   |     | F21 | F21 | F21 | F21  |          | F21    | F21  |      |      |      |      |      |      |      |      |      |      |      |      |      |      |      |      |      |  |
| 50-130-2P   |     |     |     |     | F13  | F13      |        | F13  |      | F20  |      |      |      |      |      |      |      |      |      |      |      |      |      |      |      |  |
| 50-130-4P   | F13 | F13 | F13 | F13 |      |          |        |      |      |      |      |      |      |      |      |      |      |      |      |      |      |      |      |      |      |  |
| 50-225-2P   |     |     |     |     |      |          |        | F20  |      | F20  | F20  | F19  |      | F21  |      | F22  |      |      |      |      |      |      |      |      |      |  |
| 50-225-4P   |     | F21 | F21 | F21 | F21  |          | F21    | F21  |      |      |      |      |      |      |      |      |      |      |      |      |      |      |      |      |      |  |
| 50-280-2P   |     |     |     |     |      |          |        |      |      | F20  | F20  | F19  |      | F21  |      | F22  | F22  | F24  |      |      |      |      |      |      |      |  |
| 50-280-4P   |     |     |     |     | F21  |          | F21    | F21  | F21  | F21  |      |      |      |      |      |      |      |      |      |      |      |      |      |      |      |  |
| 50-350      |     |     |     |     | F23  |          | F23    | F23  | F23  | F23  | F23  | F23  | F22  |      |      |      |      |      |      |      |      |      |      |      |      |  |
| 60-130-2P   |     |     |     |     |      | F20      |        | F20  |      | F20  | F20  |      |      |      |      |      |      |      |      |      |      |      |      |      |      |  |
| 60-130-4P   |     | F20 | F20 | F20 | F20  |          |        |      |      |      |      |      |      |      |      |      |      |      |      |      |      |      |      |      |      |  |
| 65-180-2P   |     |     |     |     | F20  | F20      |        | F20  |      | F20  | F20  | F19  |      |      |      |      |      |      |      |      |      |      |      |      |      |  |
| 65-180-4P   |     | F20 | F20 | F20 | F20  |          |        |      |      |      |      |      |      |      |      |      |      |      |      |      |      |      |      |      |      |  |
| 65-225-2P   |     |     |     |     |      |          |        |      |      | F22  | F22  | F21  |      | F21  |      |      |      |      |      |      |      |      |      |      |      |  |



| Pump size  | 71M | 80M | 90S | 90L | 100L | 112M-2,6 | 112M-4 | 132S | 132M | 160M | 160L | 180M | 180L | 200L | 225S | 225M | 250M | 280S | 280M | 315S | 315M | 315L | 355M | 355L | 355X |     |
|------------|-----|-----|-----|-----|------|----------|--------|------|------|------|------|------|------|------|------|------|------|------|------|------|------|------|------|------|------|-----|
| 65-225-4P  |     | F22 | F22 | F22 | F22  | F22      | F22    | F22  | F22  |      |      |      |      |      |      |      |      |      |      |      |      |      |      |      |      |     |
| 65-280     |     |     | F22 | F22 | F22  | F22      | F22    | F22  | F22  | F22  |      |      |      |      |      |      |      |      |      |      |      |      |      |      |      |     |
| 80-180-2P  |     |     |     |     |      | F20      |        | F20  |      | F20  | F20  | F19  |      | F21  |      |      |      |      |      |      |      |      |      |      |      |     |
| 80-180-4P  |     | F20 | F20 | F20 | F20  |          | F20    |      |      |      |      |      |      |      |      |      |      |      |      |      |      |      |      |      |      |     |
| 80-225-2P  |     |     |     |     |      |          |        |      |      |      | F22  | F21  |      | F21  |      | F22  | F22  | F24  | F24  |      |      |      |      |      |      |     |
| 80-225-4P  |     |     | F22 | F22 | F22  | F22      | F22    | F22  | F22  | F22  |      |      |      |      |      |      |      |      |      |      |      |      |      |      |      |     |
| 80-280     |     |     |     | F22 | F22  | F22      | F22    | F22  | F22  | F22  | F22  |      |      |      |      |      |      |      |      |      |      |      |      |      |      |     |
| 80-350     |     |     |     |     |      | F24      |        | F24  | F24  | F24  | F24  | F24  | F24  | F24  |      |      |      |      |      |      |      |      |      |      |      |     |
| 100-180-2P |     |     |     |     |      |          |        | F21  |      | F21  | F21  | F20  |      |      |      |      |      |      |      |      |      |      |      |      |      |     |
| 100-180-4P |     | F21 | F21 | F21 | F21  |          | F21    | F21  |      |      |      |      |      |      |      |      |      |      |      |      |      |      |      |      |      |     |
| 100-225-2P |     |     |     |     |      |          |        |      |      |      |      | F22  |      | F22  |      | F22  | F22  | F24  | F24  |      |      |      |      |      |      |     |
| 100-225-4P |     |     |     | F24 | F24  | F24      | F24    | F24  | F24  | F24  | F23  |      |      |      |      |      |      |      |      |      |      |      |      |      |      |     |
| 100-280    |     |     |     |     | F23  | F23      |        | F23  | F23  | F23  | F23  | F22  | F22  |      |      |      |      |      |      |      |      |      |      |      |      |     |
| 100-350    |     |     |     |     |      | F24      |        | F24  | F24  | F24  | F24  | F24  | F24  | F24  | F22  |      |      |      |      |      |      |      |      |      |      |     |
| 100-380    |     |     |     |     |      |          |        | F24  | F24  | F24  |      | F24  | F24  | F24  | F24  | F24  | F24  | F24  | F24  | F24  | F24  | F23  |      |      |      |     |
| 125-180-2P |     |     |     |     |      |          |        |      | F22  | F22  | F21  |      | F21  |      | F22  | F22  |      |      |      |      |      |      |      |      |      |     |
| 125-180-4P |     | F22 | F22 | F22 | F22  | F22      | F22    | F22  | F22  |      |      |      |      |      |      |      |      |      |      |      |      |      |      |      |      |     |
| 125-225    |     |     |     |     | F24  | F24      |        | F24  | F24  | F24  | F24  | F24  | F24  |      |      |      |      |      |      |      |      |      |      |      |      |     |
| 125-280    |     |     |     |     |      | F24      |        | F24  | F24  | F24  | F24  | F24  | F24  | F24  |      |      |      |      |      |      |      |      |      |      |      |     |
| 125-350    |     |     |     |     |      |          |        | F24  | F24  | F24  | F24  | F24  | F24  | F24  | F24  | F24  | F24  |      |      |      |      |      |      |      |      |     |
| 125-380    |     |     |     |     |      |          |        |      | F25  | F25  | F25  | F25  | F25  | F25  | F25  | F25  | F25  | F25  | F25  | F25  | F25  | F23  | F23  | F23  |      |     |
| 150-225    |     |     |     |     |      | F25      |        | F25  | F25  | F25  | F25  | F24  | F24  | F24  |      |      |      |      |      |      |      |      |      |      |      |     |
| 150-280    |     |     |     |     |      |          |        | F24  | F24  | F24  | F24  | F24  | F24  | F24  | F24  | F24  |      |      |      |      |      |      |      |      |      |     |
| 150-300    |     |     |     |     |      |          |        |      | F24  | F24  |      | F24  | F24  | F24  | F24  | F24  |      |      |      |      |      |      |      |      |      |     |
| 150-350    |     |     |     |     |      |          |        |      | F24  | F24  | F24  | F24  | F24  | F24  | F24  | F24  | F24  | F24  | F24  | F24  | F24  |      |      |      |      |     |
| 150-380    |     |     |     |     |      |          |        |      |      |      |      | F25  | F25  |      | F25  | F25  | F25  | F25  | F25  | F25  | F23  | F23  | F23  |      |      |     |
| 200-300    |     |     |     |     |      |          |        |      |      |      | F26  | F26  | F26  | F26  | F26  | F26  | F26  |      |      |      |      |      |      |      |      |     |
| 200-350    |     |     |     |     |      |          |        |      | F26  | F26  | F26  |      | F26  | F26  | F26  | F26  | F26  | F26  | F26  | F24  | F24  | F24  |      |      |      |     |
| 200-380    |     |     |     |     |      |          |        |      |      |      |      | F26  | F26  |      | F26  | F26  | F26  | F26  | F26  | F25  | F25  | F25  |      |      |      |     |
| 200-500    |     |     |     |     |      |          |        |      |      |      |      |      |      |      |      |      | F26  | F26  | F26  | F25  | F25  | F25  | F25  | F25  | F25  | F25 |
| 250-315    |     |     |     |     |      |          |        |      | F26  | F26  |      | F26  | F26  | F26  | F26  | F26  | F26  |      |      |      |      |      |      |      |      |     |
| 250-360    |     |     |     |     |      |          |        |      |      | F27  | F27  | F27  | F27  | F27  | F27  | F27  | F27  | F27  | F27  | F26  | F26  | F26  |      |      |      |     |
| 250-380    |     |     |     |     |      |          |        |      |      |      |      |      | F27  | F27  | F27  | F27  | F27  | F27  | F26  | F26  | F26  |      |      |      |      |     |
| 300-300    |     |     |     |     |      |          |        |      |      | F28  | F28  | F28  |      | F28  | F28  | F28  | F28  | F28  | F27  | F27  | F27  |      |      |      |      |     |
| 300-310    |     |     |     |     |      |          |        |      |      |      | F28  | F28  |      | F28  | F28  | F28  | F28  | F28  | F27  | F27  |      |      |      |      |      |     |
| 300-350    |     |     |     |     |      |          |        |      |      |      |      |      |      |      |      | F27  | F27  | F27  | F27  | F26  | F26  | F26  |      |      |      |     |
| 300-400    |     |     |     |     |      |          |        |      |      |      |      |      |      |      |      |      |      |      | F27  | F26  | F26  | F26  | F26  | F26  | F26  |     |
| 350-350    |     |     |     |     |      |          |        |      |      |      |      |      |      |      |      |      | F29  | F29  | F29  | F29  | F28  | F28  | F28  |      |      |     |

## Pump versions: G2, H2, J2, K2

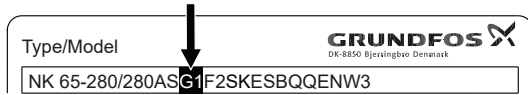
| Pump size  | 71M | 80M | 90S | 90L | 100L | 112M-2,6 | 112M-4 | 132S | 132M | 160M | 160L | 180M | 180L | 200L | 225S | 225M | 250M | 280S | 280M | 315S | 315M | 315L | 355M | 355L | 355X |  |     |
|------------|-----|-----|-----|-----|------|----------|--------|------|------|------|------|------|------|------|------|------|------|------|------|------|------|------|------|------|------|--|-----|
| 40-220-2P  |     |     |     |     |      |          |        | F20  |      | F20  | F20  | F19  |      | F21  |      |      |      |      |      |      |      |      |      |      |      |  |     |
| 40-225-2P  |     |     |     |     |      |          |        | F20  |      | F20  | F20  | F19  |      | F21  |      |      |      |      |      |      |      |      |      |      |      |  |     |
| 65-225-2P  |     |     |     |     |      |          |        |      |      |      | F21  | F21  |      | F21  |      | F22  | F22  |      |      |      |      |      |      |      |      |  |     |
| 100-180-2P |     |     |     |     |      |          |        |      |      | F21  | F21  | F20  |      | F21  |      |      |      |      |      |      |      |      |      |      |      |  |     |
| 200-350    |     |     |     |     |      |          |        |      | F26  | F26  | F26  |      | F26  | F26  | F26  | F26  | F26  | F26  | F26  | F26  | F24  | F24  | F24  |      |      |  |     |
| 300-310    |     |     |     |     |      |          |        |      |      |      |      |      | F28  | F28  |      | F28  | F28  | F28  | F28  | F28  | F27  | F27  | F27  |      |      |  |     |
| 300-350    |     |     |     |     |      |          |        |      |      |      |      |      |      |      |      |      |      | F27  | F27  | F26  |      | F26  | F26  | F26  |      |  |     |
| 300-400    |     |     |     |     |      |          |        |      |      |      |      |      |      |      |      |      |      |      |      |      |      |      | F26  | F26  |      |  | F26 |
| 350-350    |     |     |     |     |      |          |        |      |      |      |      |      |      |      |      |      |      | F29  | F29  | F28  | F28  | F28  |      |      |      |  |     |

## Step 3: Use the foot code, and find the needed kit.

| Foot code | Foot cpl. for coupling guard | Kit - Foot for spacer coupling guard |
|-----------|------------------------------|--------------------------------------|
| F07       | 41-42 mm                     | <a href="#">96930803</a>             |
| F13       | 59-60 mm                     | <a href="#">96848539</a>             |
| F14       | 62-63 mm                     | <a href="#">96847089</a>             |
| F19       | 82-83 mm                     | <a href="#">96848477</a>             |
| F20       | 84-103 mm                    | <a href="#">96848478</a>             |
| F21       | 104-115 mm                   | <a href="#">96848498</a>             |
| F22       | 116-145 mm                   | <a href="#">96848499</a>             |
| F23       | 146-154 mm                   | <a href="#">96848532</a>             |
| F24       | 155-199 mm                   | <a href="#">96848500</a>             |
| F25       | 200-237 mm                   | <a href="#">96848501</a>             |
| F26       | 238-309 mm                   | <a href="#">96848533</a>             |
| F27       | 310-371 mm                   | <a href="#">95131726</a>             |
| F28       | 372-411 mm                   | <a href="#">99489229</a>             |
| F29       | 412-471 mm                   | <a href="#">92731380</a>             |

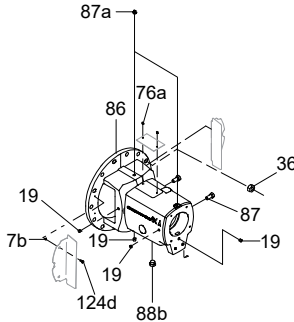
## Kit - Heavy Duty bearing bracket, re-greaseable

Heavy Duty bearing bracket codes: G1, G2, J1, J2, W1



Pump version code

### Bearing bracket, H.D. re-greaseable



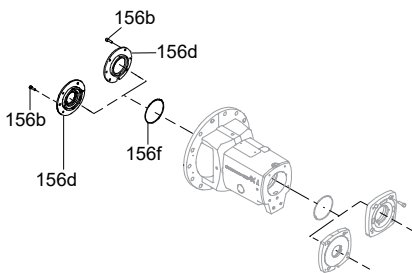
TM1040112

#### Kit - Bearing bracket, H.D. re-greaseable

- 7b: 4 x lock washer
  - 19: 2 x Plug (for thermal measurement)
  - 19: 2 x Plug (grease circuit)
  - 36: Needed number of nuts
  - 76a: 2 x Rivet
  - 86: Bearing bracket
  - 87a: 2 x Grease nipple
  - 87: 2 x Hexagon socket head cap screw
  - 88b: 3/8" composite plug, incl. O-ring, drain
  - 124d: 4 x Screw for shaft guard
- SPM – Shock Pulse Measuring fittings can optionally be mounted in these bores



### Front bearing cover, H.D. re-greaseable

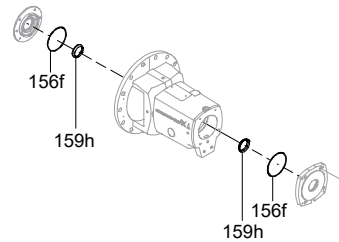


TM1040116

#### Kit - Front bearing cover, H.D. re-greaseable

- 156b: 4 x Hex socket head screw
- 156d: Bearing cover, front
- 156f: O-ring

### V-ring, H.D. re-greaseable

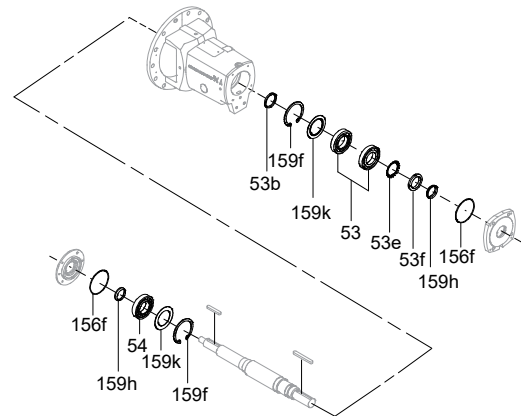


TM1040119

#### Kit - V-ring, H.D. re-greaseable

- 156f: 2 x O-ring
- 159h: 2 x V-ring

### Bearing, H.D. re-greaseable

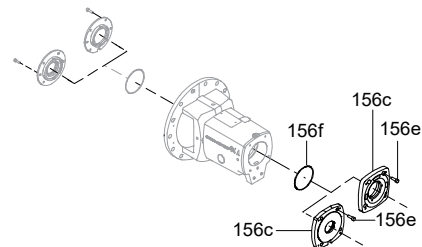


TM1040110

#### Kit - Bearing, H.D. re-greaseable

- 53: 2 x Angular contact bearing
- 53b: Spacer ring (depending on shaft size, including in D42, D48, D60)
- 53e: Lock washer
- 53f: Lock nut
- 54: Rolling bearing
- 156f: 2 x O-ring
- 159f: 2 x Lock ring
- 159h: 2 x V-ring
- 159k: 2 x Grease retainer ring

### End bearing cover, H.D. re-greaseable

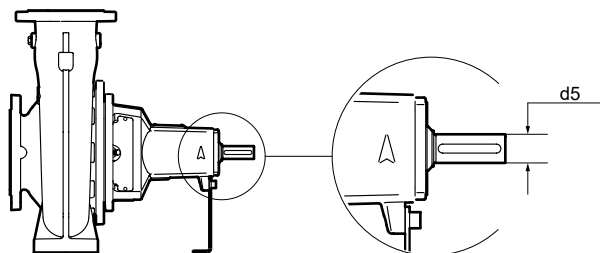


TM1040117

#### Kit - End bearing cover, H.D. re-greaseable

- 156c: Bearing cover, end
- 156e: 4 x Hex socket head screw
- 156f: O-ring

**Step 1: Find the pump size and measure the diameter d5 of the pump end.**

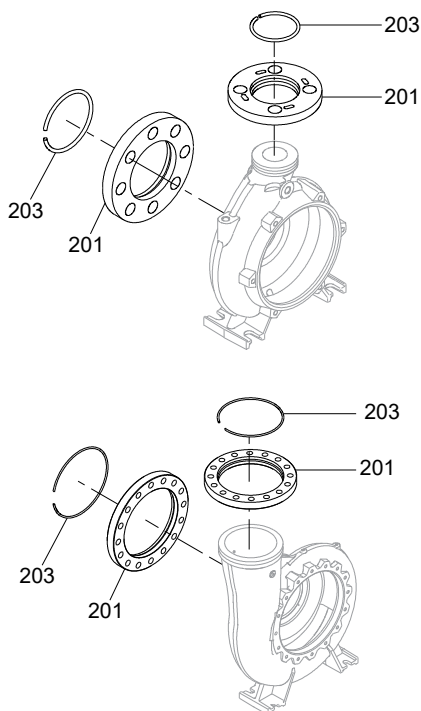


| Pump size   | d5      | Pump size  | d5      | Pump size  | d5      |
|-------------|---------|------------|---------|------------|---------|
| 32-130.1-2P | D16A    | 50-280-4P  | D24     | 125-180-4P | D24     |
| 32-130.1-4P | D16A    | 50-350     | D32     | 125-225    | D32S(S) |
| 32-130-2P   | D16A    | 65-130-2P  | D24     | 125-280    | D32     |
| 32-130-4P   | D16A    | 65-130-4P  | D16     | 125-350    | D42     |
| 32-165.1-2P | D24     | 65-180-2P  | D24     | 125-380    | D42     |
| 32-165.1-4P | D16     | 65-180-4P  | D16     | 150-225    | D32S(S) |
| 32-180-2P   | D16     | 65-225-2P  | D32S(S) | 150-280    | D42     |
| 32-180-4P   | D16     | 65-225-4P  | D24     | 150-300    | D42     |
| 32-205.1-2P | D24     | 65-280     | D32     | 150-350    | D42     |
| 32-205.1-4P | D16     | 80-180-2P  | D24     | 150-380    | D48     |
| 40-130-2P   | D24     | 80-180-4P  | D16     | 200-300    | D42     |
| 40-130-4P   | D16     | 80-225-2P  | D32S(S) | 200-350    | D42     |
| 40-180-2P   | D24     | 80-225-4P  | D24     | 200-380    | D48     |
| 40-180-4P   | D16     | 80-280     | D32     | 200-500    | D60     |
| 40-220-2P   | D24     | 80-350     | D32     | 250-315    | D48     |
| 40-220-4P   | D24     | 100-180-2P | D24     | 250-360    | D48     |
| 40-225-2P   | D24     | 100-180-4P | D24     | 250-380    | D48     |
| 40-225-4P   | D24     | 100-225-2P | D32S(S) | 300-300    | D48     |
| 50-130-2P   | D24     | 100-225-4P | D24     | 300-310    | D48     |
| 50-130-4P   | D16     | 100-280    | D32     | 300-350    | D60     |
| 50-225-2P   | D32S(S) | 100-350    | D32     | 300-400    | D60     |
| 50-225-4P   | D24     | 100-380    | D42     | 350-350    | D60     |
| 50-280-2P   | D32S(S) | 125-180-2P | D24     |            |         |

**Step 2: Use the d5 dimension to find the needed kit.**

| d5      | Kit - Bearing bracket    | Kit - Bearing            | Kit - V-ring             | Kit - End bearing cover  | Kit - Front bearing cover |
|---------|--------------------------|--------------------------|--------------------------|--------------------------|---------------------------|
| D16     | -                        | -                        | -                        | -                        | -                         |
| D24     | <a href="#">92729022</a> | <a href="#">92729009</a> | <a href="#">92729019</a> | <a href="#">92729016</a> | <a href="#">98819584</a>  |
| D32S(S) | <a href="#">92729023</a> | <a href="#">92729010</a> | <a href="#">92729020</a> | <a href="#">92729017</a> | <a href="#">98819677</a>  |
| D32     | <a href="#">92837594</a> | <a href="#">92729010</a> | <a href="#">92729020</a> | <a href="#">92729017</a> | <a href="#">98819677</a>  |
| D42     | <a href="#">92729024</a> | <a href="#">92729012</a> | <a href="#">92729021</a> | <a href="#">92729018</a> | <a href="#">98819874</a>  |
| D48     | <a href="#">92837595</a> | <a href="#">92837591</a> | <a href="#">92837593</a> | <a href="#">92837592</a> | <a href="#">98819880</a>  |
| D60     | <a href="#">92837596</a> | <a href="#">92837591</a> | <a href="#">92837593</a> | <a href="#">92837592</a> | <a href="#">98819880</a>  |

### Kit - Loose flange(s)



TM078770

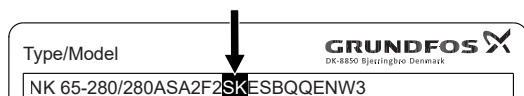
**Kit - Flange for inlet**

- 201: Flange
- 203: Lock ring

**Kit - Flange for outlet**

- 201: Flange
- 203: Lock ring

**Step 1: Check with pump in the list and note inlet and outlet sizes of the flanges.**



TM082788

*Pump size*

| Pump size | Flange size |        |           |
|-----------|-------------|--------|-----------|
|           | Inlet       | Outlet | Nom. Imp. |
| 32-130    | 50          | 32     | 130       |
| 32-130.1  | 50          | 32     | 130.1     |
| 32-165.1  | 50          | 32     | 165.1     |
| 32-180    | 50          | 32     | 180       |
| 32-205.1  | 50          | 32     | 205.1     |
| 40-130    | 65          | 40     | 130       |
| 40-180    | 65          | 40     | 180       |
| 40-220    | 65          | 40     | 220       |
| 40-225    | 65          | 40     | 225       |
| 50-130    | 65          | 50     | 130       |
| 50-225    | 65          | 50     | 225       |
| 50-280    | 65          | 50     | 280       |
| 50-350    | 80          | 50     | 350       |
| 65-130    | 80          | 65     | 130       |
| 65-180    | 80          | 65     | 180       |
| 65-225    | 80          | 65     | 225       |

| Pump size | Flange size |        |           |
|-----------|-------------|--------|-----------|
|           | Inlet       | Outlet | Nom. Imp. |
| 65-280    | 80          | 65     | 280       |
| 80-180    | 100         | 80     | 180       |
| 80-225    | 100         | 80     | 225       |
| 80-280    | 100         | 80     | 280       |
| 80-350    | 100         | 80     | 350       |
| 100-180   | 125         | 100    | 180       |
| 100-225   | 125         | 100    | 225       |
| 100-280   | 125         | 100    | 280       |
| 100-350   | 125         | 100    | 350       |
| 100-380   | 125         | 100    | 380       |
| 125-180   | 150         | 125    | 180       |
| 125-225   | 150         | 125    | 225       |
| 125-280   | 150         | 125    | 280       |
| 125-350   | 150         | 125    | 350       |
| 125-380   | 150         | 125    | 380       |
| 150-225   | 200         | 150    | 225       |
| 150-280   | 200         | 150    | 280       |
| 150-300   | 200         | 150    | 300       |
| 150-350   | 200         | 150    | 350       |
| 150-380   | 200         | 150    | 380       |
| 200-300   | 250         | 200    | 300       |
| 200-350   | 250         | 200    | 350       |
| 200-380   | 250         | 200    | 380       |
| 200-500   | 250         | 200    | 500       |
| 250-315   | 300         | 250    | 315       |
| 250-360   | 300         | 250    | 360       |
| 250-380   | 300         | 250    | 380       |
| 300-300   | 350         | 300    | 300       |
| 300-310   | 350         | 300    | 310       |
| 300-350   | 350         | 300    | 350       |
| 300-400   | 350         | 300    | 400       |
| 350-350   | 400         | 350    | 350       |

**Step 2: Use the Inlet/outlet flange size and the pressure rating to find the loose flange kit.**



TM085589

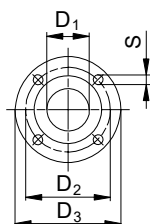
**Pressure rating**

1 = 10 bar (PN10)

1 = 16 bar (PN16)

1 = 25 bar (PN25)

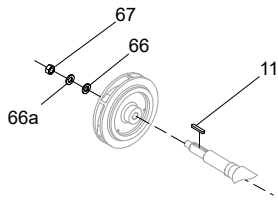
1 = 40 bar (PN40)



TM027720

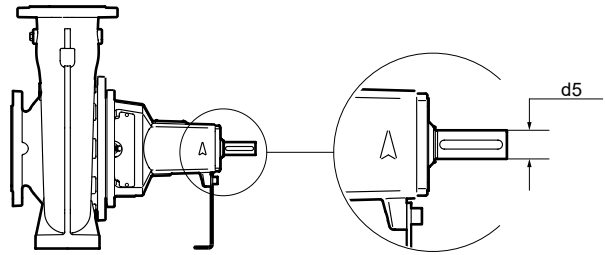
| Inlet/<br>outlet<br>flange | Kit - Loose flange       |                          | D1<br>[mm] | D2<br>[mm] | D3<br>[mm] | S        |
|----------------------------|--------------------------|--------------------------|------------|------------|------------|----------|
|                            | PN16                     | PN25                     |            |            |            |          |
| 40                         | -                        | <a href="#">97904822</a> | 40         | 110        | 150        | 4 x Φ19  |
| 50                         | -                        | <a href="#">97904819</a> | 50         | 125        | 165        | 4 x Φ19  |
| 65                         | -                        | <a href="#">97904830</a> | 65         | 145        | 185        | 8 x Φ18  |
| 80                         | -                        | <a href="#">97521263</a> | 80         | 160        | 200        | 8 x Φ19  |
| 100                        | -                        | <a href="#">99432755</a> | 100        | 190        | 235        | 8 x Φ23  |
| 125                        | -                        | <a href="#">97521265</a> | 125        | 220        | 270        | 8 x Φ28  |
| 150                        | <a href="#">97521268</a> | -                        | 150        | 240        | 285        | 8 x Φ23  |
| 150                        | -                        | <a href="#">97521267</a> | 150        | 250        | 300        | 8 x Φ28  |
| 200                        | <a href="#">97521270</a> | -                        | 200        | 295        | 340        | 12x Φ23  |
| 200                        | -                        | <a href="#">97739724</a> | 200        | 310        | 360        | 12 x Φ28 |
| 250                        | <a href="#">99248531</a> | -                        | 250        | 355        | 405        | 12 x Φ28 |
| 250                        | -                        | <a href="#">99248532</a> | 250        | 370        | 425        | 12 x Φ31 |

### Kit/Bulk - Nut, washers and key for impeller



TM1040103


Step 1: Find the pump size, measure and note the diameter d5 of the pump end.



| Kit - Nut, washers and key for impeller |
|---|
| 11: Key                                 |
| 66: Washer                              |
| 66a: Lock washer                        |
| 67: Hex nut                             |
| Bulk - Nut                              |
| 67: 5 x Hex nut                         |

| Pump size   | d5  | Pump size  | d5  | Pump size   | d5  |
|-------------|-----|------------|-----|-------------|-----|
| 32-130.1-2P | D16 | 50-280-4P  | D24 | 125-180-4P  | D24 |
| 32-130.1-4P | D16 | 50-350     | D32 | 125-225     | D32 |
| 32-130-2P   | D16 | 65-130-2P  | D24 | 125-280     | D32 |
| 32-130-4P   | D16 | 65-130-4P  | D16 | 125-350     | D42 |
| 32-165.1-2P | D24 | 65-180-2P  | D24 | 125-380     | D42 |
| 32-165.1-4P | D16 | 65-180-4P  | D16 | 150-225     | D32 |
| 32-180-2P   | D16 | 65-225-2P  | D32 | 150-280     | D42 |
| 32-180-4P   | D16 | 65-225-4P  | D24 | 150-300     | D42 |
| 32-205.1-2P | D24 | 65-280     | D32 | 150-350     | D42 |
| 32-205.1-4P | D16 | 80-180-2P  | D24 | 150-380     | D48 |
| 40-130-2P   | D24 | 80-180-4P  | D16 | 200-300     | D42 |
| 40-130-4P   | D16 | 80-225-2P  | D32 | 200-350     | D42 |
| 40-180-2P   | D24 | 80-225-4P  | D24 | 200-380     | D48 |
| 40-180-4P   | D16 | 80-280     | D32 | 200-500     | D60 |
| 40-220-2P   | D24 | 80-350     | D32 | 250-315     | D48 |
| 40-220-4P   | D24 | 100-180-2P | D24 | 250-360     | D48 |
| 40-225-2P   | D24 | 100-180-4P | D24 | 250-380     | D48 |
| 40-225-4P   | D24 | 100-225-2P | D32 | 300-300     | D48 |
| 50-130-2P   | D24 | 100-225-4P | D24 | 300-310     | D48 |
| 50-130-4P   | D16 | 100-280    | D32 | 300-350     | D60 |
| 50-225-2P   | D32 | 100-350    | D32 | 300-400 D60 | D60 |
| 50-225-4P   | D24 | 100-380    | D42 | 350-350     | D60 |
| 50-280-2P   | D32 | 125-180-2P | D24 |             |     |

**Step 2: Use the d5 diameter and the material code to find the needed kit.**

|                                |   |
|--------------------------------|---|
| Type/Model                     |  |
| NK 65-280/280ASA2F2SKESBQQENW3 |   |

Material code

### Kit - Nut, washers and key

| d5  | Nut | Material code |                |                        |                        |
|-----|-----|---------------|----------------|------------------------|------------------------|
|     |     | S3, SB        | S4, S8, SC, SG | S5, S9, SD, SH, T2, TA | SI, SJ, SK, SL, T3, TB |
|     |     | Material      |                |                        |                        |
|     |     | 1.4301        | 1.4401         | 1.4462                 | 1.4410                 |
| D16 | M12 | 92521562      | 92521567       | 92521572               | 92744147               |
| D24 | M14 | 92521559      | 96939128       | 96939129               | 92744148               |
| D32 | M18 | 92521560      | 92743279       | 96939131               | 92744149               |
| D42 | M24 | 92521561      | 96939132       | 96939133               | 92744160               |
| D48 | M27 | 92521563      | 96939134       | 96939135               | 92744161               |
| D60 | M33 | 92738998      | 92738997       | 92738999               | 92744162               |

### Bulk - Nut

| d5  | Nut | Material code |                |                        |                        |
|-----|-----|---------------|----------------|------------------------|------------------------|
|     |     | S3, SB        | S4, S8, SC, SG | S5, S9, SD, SH, T2, TA | SI, SJ, SK, SL, T3, TB |
|     |     | Material      |                |                        |                        |
|     |     | 1.4301        | 1.4401         | 1.4462                 | 1.4410                 |
| D16 | M12 | 92526533      | 92526536       | 92579695               | NA                     |
| D24 | M14 | 92526531      | 92514630       | 92514636               | NA                     |
| D32 | M18 | 92526535      | 92514631       | 92514637               | NA                     |
| D42 | M24 | 92526532      | 92514632       | 92514638               | NA                     |
| D48 | M27 | 92526534      | 92514633       | 92514639               | NA                     |
| D60 | M33 | 92729004      | 92514635       | 92514640               | NA                     |

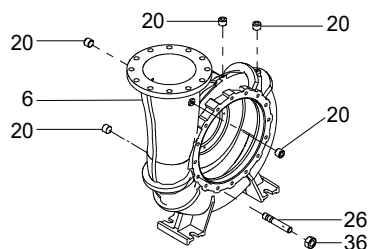
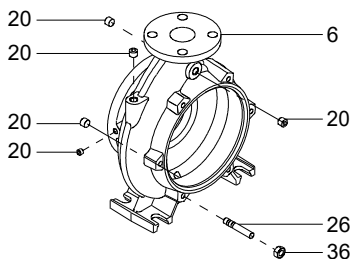


## Kit - Pump housing without wear ring

Pump housing without wear ring: The interface between the pump housing and the impeller is machined in the cast iron pump housing.

**PN 10 (16) / Class 125 (150)**

**EN-GJL-250 / ASTM A48 class 35**



**NOTE!** Plugs (20) in the pump housing are described in section [3.19 Pump housing plugs](#).

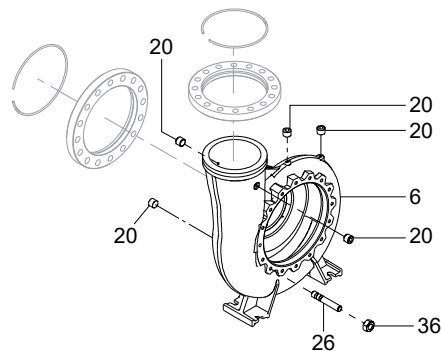
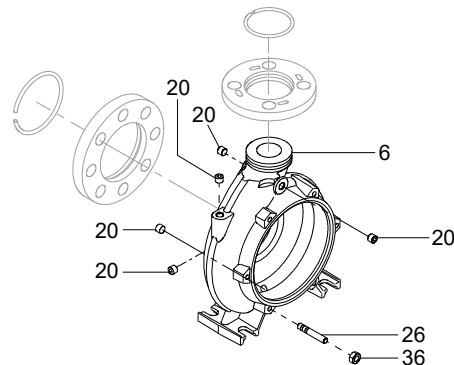
**Kit - Pump housing without wear ring, cast iron - low pressure**

- 6: Pump housing
- 20: Needed number of plugs for draining, filling, sensor and shaft seal flushing
- 26: Needed number of stay bolts
- 36: Needed number of nuts that fit stay bolts

TM1040169

**PN 25 / Class 300**

**EN-GJS-500-7 / ASTM 70-50-05**



**NOTE!** Plugs (20) in the pump housing are described in section [3.19 Pump housing plugs](#).

**Kit - Pump housing without wear ring, cast ductile iron - high pressure**

- 6: Pump housing
- 20: Needed number of plugs for draining, filling, sensor and shaft seal flushing. Not for coated version.
- 26: Needed number of stay bolts
- 36: Needed number of nuts that fit stay bolts

TM1040170

**Step 1: Find the pump size and note the pump housing code.**

| Pump size | Pump housing code | Pump size | Pump housing code |
|-----------|-------------------|-----------|-------------------|
| 32-130    | F2                | 100-350   | D6                |
| 32-130.1  | F1                | 100-380   | E6                |
| 32-165.1  | G                 | 125-180   | A6                |
| 32-180    | A1                | 125-225   | B7                |
| 32-205.1  | H                 | 125-280   | C7                |
| 40-130    | F3                | 125-350   | D7                |
| 40-180    | A2                | 125-380   | E7                |
| 40-220    | B2a               | 150-225   | B8                |
| 40-225    | B2                | 150-280   | C8                |
| 50-130    | F4                | 150-300   | I1                |
| 50-225    | B3                | 150-350   | D8                |
| 50-280    | C3                | 150-380   | E8                |
| 50-350    | D3                | 200-300   | I2                |
| 65-130    | F5                | 200-350   | DA                |
| 65-180    | A3                | 200-380   | EB                |
| 65-225    | B4                | 200-500   | K                 |
| 65-280    | C4                | 250-315   | DE                |
| 80-180    | A4                | 250-360   | DB                |
| 80-225    | B5                | 250-380   | EA                |
| 80-280    | C5                | 300-300   | I3                |
| 80-350    | D5                | 300-310   | I4                |
| 100-180   | A5                | 300-350   | DC                |
| 100-225   | B6                | 300-400   | J                 |
| 100-280   | C6                | 350-350   | DD                |

**Step 2: Use the pump housing code and the material code to find the pump housing kit.**



**Material code**

| Pump housing code | Material code                      |                                    |          |
|-------------------|------------------------------------|------------------------------------|----------|
|                   | S3, S4, S5, S8, S9, SK, SL, T2, T3 | SB, SC, SD, SG, SH, SI, SJ, TA, TB |          |
|                   | (Cast iron, EN-GJL-250)            | (Ductile iron EN-GJS-500-7)        |          |
|                   | PN 10                              | PN 16                              | PN 25    |
| A1                | 92728522                           | 92728522                           | 92783067 |
| A2                | 92728524                           | 92728524                           | 92783068 |
| A3                | 92728537                           | 92728537                           | 92783070 |
| A4                | 92728543                           | 92728543                           | 92783071 |
| A5                | 92728551                           | 92728551                           | 92783072 |
| A6                | 92728561                           | 92728561                           | 92783073 |
| B2a               | 92728526                           | 92728526                           | 92783074 |
| B2                | 92728528                           | 92728528                           | 92783075 |
| B3                | 92728530                           | 92728530                           | 92783076 |
| B4                | 92728539                           | 92728539                           | 92783077 |
| B5                | 92728545                           | 92728545                           | 92783078 |
| B6                | 92728553                           | 92728553                           | 92783079 |
| B7                | 92728563                           | 92728563                           | 92783080 |
| B8                | 92728571                           | 92783081                           | 92783081 |
| C3                | 92728532                           | 92728532                           | 92783082 |
| C4                | 92728541                           | 92728541                           | 92783083 |

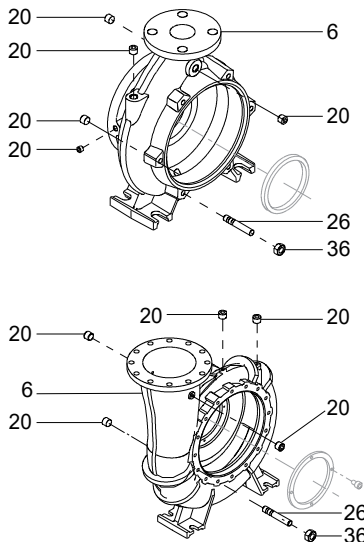
| Pump housing code | Material code                      |                                    |          |
|-------------------|------------------------------------|------------------------------------|----------|
|                   | S3, S4, S5, S8, S9, SK, SL, T2, T3 | SB, SC, SD, SG, SH, SI, SJ, TA, TB |          |
|                   | (Cast iron, EN-GJL-250)            | (Ductile iron EN-GJS-500-7)        |          |
|                   | PN 10                              | PN 16                              | PN 25    |
| C5                | 92728547                           | 92728547                           | 92783084 |
| C6                | 92728555                           | 92728555                           | 92783085 |
| C7                | 92728565                           | 92728565                           | 92783086 |
| C8                | 92728573                           | 92783087                           | 92783087 |
| D3                | 92728535                           | 92728535                           | 92783088 |
| D5                | 92728549                           | 92728549                           | 92783089 |
| D6                | 92728557                           | 92728557                           | 92783100 |
| D7                | 92728567                           | 92728567                           | 92783101 |
| D8                | 92728575                           | 92783102                           | 92783102 |
| E6                | 92728559                           | 92728559                           | 92783104 |
| E7                | 92728569                           | 92728569                           | 92783105 |
| E8                | 92728577                           | 92783106                           | 92783106 |
| EA                | 92728579                           | 92728583                           | 92728581 |
| EB                | 92783203                           | 92783180                           | 92783107 |
| F1                | 92728597                           | 92728597                           | 92783108 |
| F2                | 92728599                           | 92728599                           | 92783109 |
| F3                | 92728609                           | 92728609                           | 92783110 |
| F4                | 92728607                           | 92728607                           | 92783112 |
| F5                | 92728605                           | 92728605                           | 92783113 |
| G                 | 92728601                           | 92728601                           | 92783114 |
| H                 | 92728603                           | 92728603                           | 92783115 |
| I1                | 92783204                           | 92783116                           | 92783116 |
| I2                | 92783205                           | 92783117                           | 92783117 |
| I3                | 92783206                           | 92783181                           | 92783118 |
| I4                | 92783207                           | 92783182                           | 92783119 |
| DA                | 92783208                           | 92783184                           | 92783121 |
| DB                | 92783209                           | 92783185                           | 92783122 |
| DC                | 92783210                           | 92783186                           | 92783123 |
| DD                | 92783211                           | 92783187                           | 92783124 |
| DE                | 92783212                           | 92783188                           | 92783125 |
| J                 | 92783213                           | 92783189                           | 92783126 |
| K                 | 92783214                           | 92783190                           | 92783127 |

## Kit - Pump housing machined for wear ring

**IMPORTANT!** Pump housing kits are supplied without wear rings. Wear rings need to be ordered separately.

**PN 10 (16) / Class 125(150)**

**EN-GJL-250 / ASTM A48 class 35**



TM078535

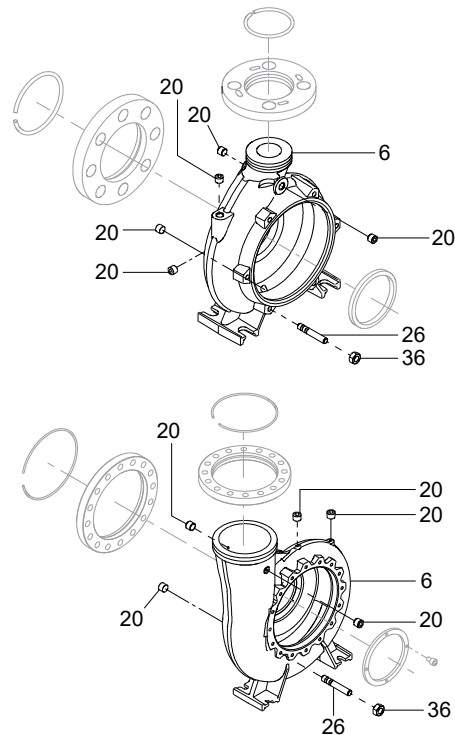
**NOTE!** Plugs (pos. 20) in the pump housing are described in section [3.19 Pump housing plugs](#).

**Kit - Pump housing machined for wear ring, cast iron - low pressure**

- 6: Pump housing
- 20: Needed number of plugs for draining, filling, sensor and shaft seal flushing
- 26: Needed number of stay bolts
- 36: Needed number of nuts that fit stay bolts

**PN 25 / Class 300**

**EN-GJS-500-7 / ASTM 70-50-05**



TM078536

**NOTE!** Plugs (pos. 20) in the pump housing are described in section [3.19 Pump housing plugs](#).

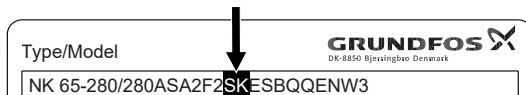
**Kit - Pump housing machined for wear ring, ductile cast iron - high pressure**

- 6: Pump housing
- 20: Needed number of plugs for draining, filling, sensor and shaft seal flushing
- 26: Needed number of stay bolts
- 36: Needed number of nuts that fit stay bolts

### Step 1: Find the pump size and note the pump housing code.

| Pump size | Pump housing code | Pump size | Pump housing code |
|-----------|-------------------|-----------|-------------------|
| 32-130    | F2                | 100-350   | D6                |
| 32-130.1  | F1                | 100-380   | E6                |
| 32-165.1  | G                 | 125-180   | A6                |
| 32-180    | A1                | 125-225   | B7                |
| 32-205.1  | H                 | 125-280   | C7                |
| 40-130    | F3                | 125-350   | D7                |
| 40-180    | A2                | 125-380   | E7                |
| 40-220    | B2a               | 150-225   | B8                |
| 40-225    | B2                | 150-280   | C8                |
| 50-130    | F4                | 150-300   | I1                |
| 50-225    | B3                | 150-350   | D8                |
| 50-280    | C3                | 150-380   | E8                |
| 50-350    | D3                | 200-300   | I2                |
| 65-130    | F5                | 200-350   | DA                |
| 65-180    | A3                | 200-380   | EB                |
| 65-225    | B4                | 200-500   | K                 |
| 65-280    | C4                | 250-315   | DE                |
| 80-180    | A4                | 250-360   | DB                |
| 80-225    | B5                | 250-380   | EA                |
| 80-280    | C5                | 300-300   | I3                |
| 80-350    | D5                | 300-310   | I4                |
| 100-180   | A5                | 300-350   | DC                |
| 100-225   | B6                | 300-400   | J                 |
| 100-280   | C6                | 350-350   | DD                |

### Step 2: Use the pump housing code and the material code to find pump housing kit.

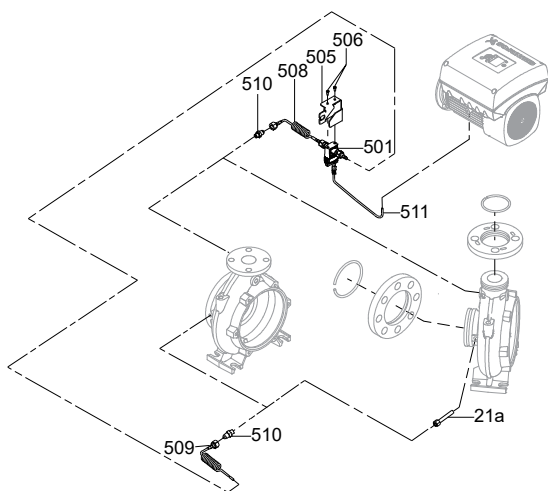


#### Material code

| Pump housing code | Material code                      |                                    |          |
|-------------------|------------------------------------|------------------------------------|----------|
|                   | S3, S4, S5, S8, S9, SK, SL, T2, T3 | SB, SC, SD, SG, SH, SI, SJ, TA, TB |          |
|                   | (Cast iron, EN-GJL-250)            | (Ductile iron EN-GJS-500-7)        |          |
|                   | PN 10                              | PN 16                              | PN 25    |
| A1                | 92728521                           | 92728521                           | 92783129 |
| A2                | 92728523                           | 92728523                           | 92783130 |
| A3                | 92728536                           | 92728536                           | 92783131 |
| A4                | 92728542                           | 92728542                           | 92783132 |
| A5                | 92728550                           | 92728550                           | 92783133 |
| A6                | 92728560                           | 92728560                           | 92783134 |
| B2a               | 92728525                           | 92728525                           | 92783135 |
| B2                | 92728527                           | 92728527                           | 92783136 |
| B3                | 92728529                           | 92728529                           | 92783137 |
| B4                | 92728538                           | 92728538                           | 92783138 |
| B5                | 92728544                           | 92728544                           | 92783139 |
| B6                | 92728552                           | 92728552                           | 92783140 |
| B7                | 92728562                           | 92728562                           | 92783141 |
| B8                | 92728570                           | 92783142                           | 92783142 |
| C3                | 92728531                           | 92728531                           | 92783143 |
| C4                | 92728540                           | 92728540                           | 92783144 |

| Pump housing code | Material code                      |                                    |          |
|-------------------|------------------------------------|------------------------------------|----------|
|                   | S3, S4, S5, S8, S9, SK, SL, T2, T3 | SB, SC, SD, SG, SH, SI, SJ, TA, TB |          |
|                   | (Cast iron, EN-GJL-250)            | (Ductile iron EN-GJS-500-7)        |          |
|                   | PN 10                              | PN 16                              | PN 25    |
| C5                | 92728546                           | 92728546                           | 92783145 |
| C6                | 92728554                           | 92728554                           | 92783146 |
| C7                | 92728564                           | 92728564                           | 92783147 |
| C8                | 92728572                           | 92783149                           | 92783149 |
| D3                | 92728533                           | 92728533                           | 92783150 |
| D5                | 92728548                           | 92728548                           | 92783151 |
| D6                | 92728556                           | 92728556                           | 92783152 |
| D7                | 92728566                           | 92728566                           | 92783153 |
| D8                | 92728574                           | 92783154                           | 92783154 |
| E6                | 92728558                           | 92728558                           | 92783155 |
| E7                | 92728568                           | 92728568                           | 92783156 |
| E8                | 92728576                           | 92728576                           | 92783157 |
| EA                | 92728578                           | 92728582                           | 92728580 |
| EB                | 92783215                           | 92783192                           | 92783158 |
| F1                | 92728596                           | 92728596                           | 92783159 |
| F2                | 92728598                           | 92728598                           | 92783160 |
| F3                | 92728608                           | 92728608                           | 92783161 |
| F4                | 92728606                           | 92728606                           | 92783162 |
| F5                | 92728604                           | 92728604                           | 92783163 |
| G                 | 92728600                           | 92728600                           | 92783164 |
| H                 | 92728602                           | 92728602                           | 92783165 |
| I1                | 92783216                           | 92783166                           | 92783166 |
| I2                | 92783217                           | 92783167                           | 92783167 |
| I3                | 92783218                           | 92783193                           | 92783169 |
| I4                | 92783219                           | 92783194                           | 92783170 |
| DA                | 92783220                           | 92783196                           | 92783173 |
| DB                | 92783221                           | 92783197                           | 92783174 |
| DC                | 92783222                           | 92783198                           | 92783175 |
| DD                | 92783223                           | 92783199                           | 92783176 |
| DE                | 92783224                           | 92783200                           | 92783177 |
| J                 | 92783225                           | 92783201                           | 92783178 |
| K                 | 92783226                           | 92783202                           | 92783179 |

## Kit/spare - Sensor for NKE Series 2000



TM1040122

**NOTE!** For all NK, NKE - R2 pump housings, the bores pos. 1+2+3+4+ (6 or 7) are drilled and plugged.

For more information, see section [3.19 Pump housing plugs](#). Order the standard NK pump housing when a replacement is needed for NKE Series 2000.

### Kit - Differential-pressure sensor

501: Sensor (incl. fittings to capillary tubes, sensor clip, sensor housing)

506: Screw

511: Cable (including connector to sensor)

### Spare - Bracket for sensor

505: Sensor bracket

### Kit - Capillary tube

508 + 509: 2 x Capillary tube

510: 2 x Adapter plug

### Spare, cable

511: Cable (including connector to sensor)

### Kit - Extension pipe to connect capillary tube to inlet – loose flange

21a: Connector pipe (PN 25)

### Kit - Differential-pressure sensor

| 0-4 bar  | 0-6 bar  | 0-10 bar |
|----------|----------|----------|
| 99562724 | 99562725 | 99562726 |

### Spare - Bracket for sensor

99562727

### Kit - Capillary tube

99582282

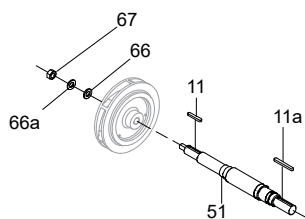
### Spare - Cable

99562728

### Kit - Pipe capillary tube connection

92837597

## Kit - Shaft



TM1040104

### Kit - Shaft

11 and 11a: Key, part of complete shaft

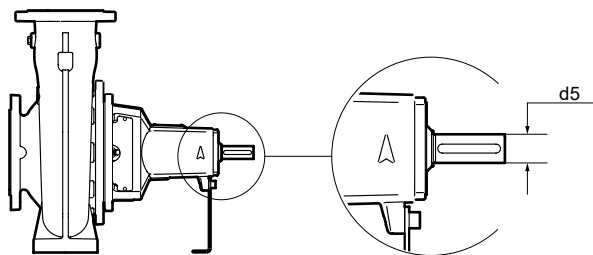
51: Shaft

66: Washer

66a: Lock washer

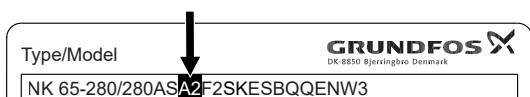
67: Nut for impeller

**Step 1: Find the pump size, measure and note the diameter d5 of the pump end.**

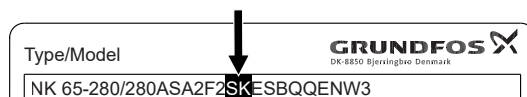


| Pump size   | d5    | Pump size  | d5    | Pump size  | d5   |
|-------------|-------|------------|-------|------------|------|
| 32-130.1-2P | D16   | 50-280-4P  | D24   | 130-180-4P | D24  |
| 32-130.1-4P | D16   | 50-350     | D32   | 130-225    | D32S |
| 32-130-2P   | D16   | 65-130-2P  | D24   | 130-280    | D32  |
| 32-130-4P   | D16   | 65-130-4P  | D16   | 130-350    | D42  |
| 32-165.1-2P | D24   | 65-180-2P  | D24   | 130-380    | D42  |
| 32-165.1-4P | D16   | 65-180-4P  | D16   | 150-225    | D32S |
| 32-180-2P   | D16   | 65-225-2P  | D32SS | 150-280    | D42  |
| 32-180-4P   | D16   | 65-225-4P  | D24   | 150-300    | D42  |
| 32-205.1-2P | D24   | 65-280     | D32   | 150-350    | D42  |
| 32-205.1-4P | D16   | 80-180-2P  | D24   | 150-380    | D48  |
| 40-130-2P   | D24   | 80-180-4P  | D16   | 200-300    | D42  |
| 40-130-4P   | D16   | 80-225-2P  | D32S  | 200-350    | D42  |
| 40-180-2P   | D24   | 80-225-4P  | D24   | 200-380    | D48  |
| 40-180-4P   | D16   | 80-280     | D32   | 200-500    | D60  |
| 40-220-2P   | D24   | 80-350     | D32   | 250-315    | D48  |
| 40-220-4P   | D24   | 100-180-2P | D24   | 250-360    | D48  |
| 40-225-2P   | D24   | 100-180-4P | D24   | 250-380    | D48  |
| 40-225-4P   | D24   | 100-225-2P | D32S  | 300-300    | D48  |
| 50-130-2P   | D24   | 100-225-4P | D24   | 300-310    | D48  |
| 50-130-4P   | D16   | 100-280    | D32   | 300-350    | D60  |
| 50-225-2P   | D32SS | 100-350    | D32   | 300-400    | D60  |
| 50-225-4P   | D24   | 100-380    | D42   | 350-350    | D60  |
| 50-280-2P   | D32SS | 130-180-2P | D24   |            |      |

**Step 2: Use the pump version code, the d5 diameter, and the material code to find the needed kit.**



Pump version code



Material code

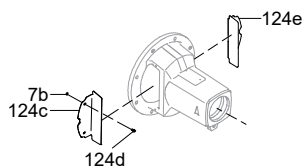
**Kit - Shaft for pump versions - A1, A2, I1, I2 and Y1**

| d5    | Material code            |                |                        |                        |
|-------|--------------------------|----------------|------------------------|------------------------|
|       | S3, SB                   | S4, S8, SC, SG | S5, S9, SD, SH, T2, TA | SI, SJ, SK, SL, T3, TB |
|       | Shaft material           |                |                        |                        |
|       | 1.0503 + 1.4301 (sleeve) | 1.4401         | 1.4462                 | 1.4410                 |
| D16   | 92736899                 | 92729006       | 92729007               | 92729008               |
| D24   | 92737270                 | 96039654       | 96861516               | 92736900               |
| D32SS | 92737512                 | 92737479       | 92737510               | 92737511               |
| D32S  | 92737516                 | 92737513       | 92737514               | 92737515               |
| D32   | 92737518                 | 96039655       | 96861519               | 92737517               |
| D42   | 92737522                 | 92737519       | 92737520               | 92737521               |
| D48   | 92737524                 | 96861526       | 96861527               | 92737523               |
| D60   | 92737526                 | 96861528       | 96861529               | 92737525               |

**Kit - Shaft for pump versions - G1, G2, H1, H2, J1, J2, K1, K2, W1, Z1**

| d5    | Material code            |                |                        |                        |
|-------|--------------------------|----------------|------------------------|------------------------|
|       | S3, SB                   | S4, S8, SC, SG | S5, S9, SD, SH, T2, TA | SI, SJ, SK, SL, T3, TB |
|       | Shaft material           |                |                        |                        |
|       | 1.0503 + 1.4301 (sleeve) | 1.4401         | 1.4462                 | 1.4410                 |
| D16   | -                        | -              | -                      | -                      |
| D24   | 92739367                 | 92739364       | 92739365               | 92739366               |
| D32SS | 92739371                 | 92739368       | 92739369               | 92739370               |
| D32S  | 92739375                 | 92739372       | 92739373               | 92739374               |
| D32   | 92837582                 | 92837569       | 92837580               | 92837581               |
| D42   | 92739379                 | 92739376       | 92739377               | 92739378               |
| D48   | 92837586                 | 92837583       | 92837584               | 92837585               |
| D60   | 92837590                 | 92837587       | 92837588               | 92837589               |

## Kit - Shaft guard



TM1040106

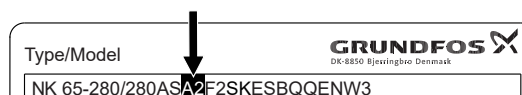
### Kit - Shaft guard

7b: 4 x Lock washer  
 124c: Shaft guard (left side)  
 124d: 4 x Screws for shaft guard  
 124e: Shaft guard (right side)

### Step 1: Find the pump size and note the shaft guard code.

| Pump size   | Shaft guard code | Pump size  | Shaft guard code |
|-------------|------------------|------------|------------------|
| 32-130.1-2P | 1                | 80-225-2P  | 4                |
| 32-130.1-4P | 1                | 80-225-4P  | 2                |
| 32-130-2P   | 1                | 80-280     | 3                |
| 32-130-4P   | 1                | 80-350     | 3                |
| 32-165.1-2P | 2                | 100-180-2P | 2                |
| 32-165.1-4P | 1                | 100-180-4P | 2                |
| 32-180-2P   | 1                | 100-225-2P | 4                |
| 32-180-4P   | 1                | 100-225-4P | 2                |
| 32-205.1-2P | 2                | 100-280    | 3                |
| 32-205.1-4P | 1                | 100-350    | 3                |
| 40-130-2P   | 2                | 100-380    | 5                |
| 40-130-4P   | 1                | 125-180-2P | 2                |
| 40-180-2P   | 2                | 125-180-4P | 2                |
| 40-180-4P   | 1                | 125-225    | 4                |
| 40-220-2P   | 2                | 125-280    | 3                |
| 40-220-4P   | 2                | 125-350    | 5                |
| 40-225-2P   | 2                | 125-380    | 5                |
| 40-225-4P   | 2                | 150-225    | 4                |
| 50-130-2P   | 2                | 150-280    | 5                |
| 50-130-4P   | 1                | 150-300    | 5                |
| 50-225-2P   | 4                | 150-350    | 5                |
| 50-225-4P   | 2                | 150-380    | 6                |
| 50-280-2P   | 4                | 200-300    | 5                |
| 50-280-4P   | 2                | 200-350    | 5                |
| 50-350      | 3                | 200-380    | 6                |
| 65-130-2P   | 2                | 200-500    | 6                |
| 65-130-4P   | 1                | 250-315    | 6                |
| 65-180-2P   | 2                | 250-360    | 6                |
| 65-180-4P   | 1                | 250-380    | 6                |
| 65-225-2P   | 4                | 300-300    | 6                |
| 65-225-4P   | 2                | 300-310    | 6                |
| 65-280      | 3                | 300-350    | 6                |
| 80-180-2P   | 2                | 300-400    | 6                |
| 80-180-4P   | 1                | 350-350    | 6                |

### Step 2: Use the shaft guard code and the pump version code to find the needed kit.



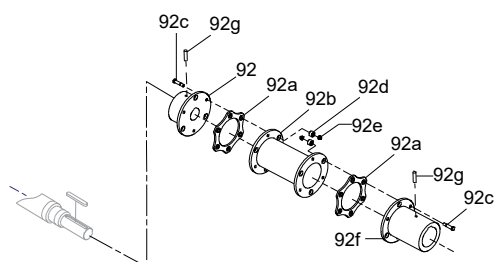
### Pump version code

| Shaft guard code | Kit - Shaft guard  |  |
|------------------|--------------------|--|
|                  | A1, A2, I1, I2, Y1 | G1, G2, H1, H2, J1, J2, K1, K2, W1, Z1 |
| 1                | 92728981           | -                                      |
| 2                | 92728982           | 92728983                               |
| 3                | 92728984           | -                                      |
| 4                | 92728985           | 92728986                               |
| 5                | 92728987           | 92728987                               |
| 6                | 92728988           | 92728988                               |



## Kit/spare - Spacer coupling

### Spacer coupling, cpl.



TM082720

#### Kit - Spacer coupling, cpl.

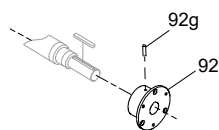
Spacer coupling cpl. <sup>8)</sup>

<sup>8)</sup> This is an 'assembly' which consists of more than one component.

#### Content of assembly:

- Pump hub + set screw
- Flexible discs
- Spacer
- Set of coupling bolts
- Set of coupling sleeves
- Set of coupling nuts
- Motor hub + set screw

### Pump hub, spacer coupling



TM082694

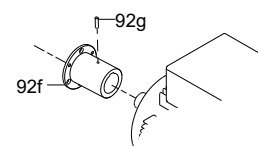
#### Kit - Pump hub, spacer coupling

Pump hub cpl. <sup>8)</sup>

#### Content of assembly:

- Pump hub
- Set screw

### Motor hub, spacer coupling



TM082695

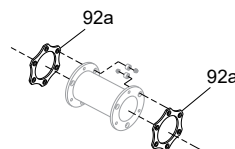
#### Kit - Motor hub, spacer coupling

Motor hub cpl. <sup>8)</sup>

#### Content of assembly:

- Motor hub
- Set screw

### Flexible disc, spacer coupling

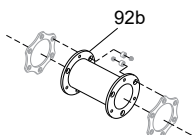


TM082683

#### Kit - Flexible disc, spacer coupling

92a: 2 x Flexible disc

### Spacer, spacer coupling

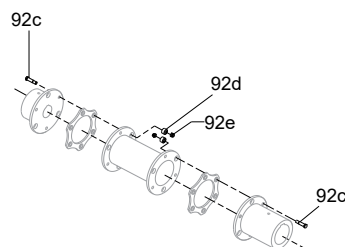


TM082684

#### Spare - Spacer, spacer coupling

92b: Spacer

### Bolt + sleeve + nut, spacer coupling



TM082685

#### Kit - Bolt + sleeve + nut, spacer coupling

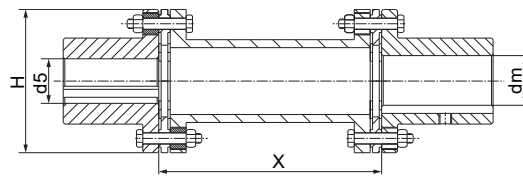
Bolt set cpl., spacer coupling <sup>8)</sup>

#### Content of assembly:

- Set of coupling bolts
- Set of coupling sleeves
- Set of coupling nuts

**Step 1: Measure 4 dimensions and make a note of these:**

- 'H'
- diameter of the pump shaft (d5)
- diameter of the motor shaft (dm)
- spacer length "X"

**Step 2: Match the measurements with table below and find the necessary spare / kit.**

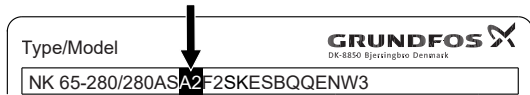
| Coupling cpl. spa.     | H [mm] | d5 [mm] | dm [mm] | X [mm] | Kit - Spacer Coupling cpl. | Kit - Pump hub, spacer coupling | Kit - Motor hub, spacer coupling | Kit - Flexible disc, spacer coupling | Spare - Spacer, spacer coupling | Kit - Bolt + sleeve + nut, spacer coupling |
|------------------------|--------|---------|---------|--------|----------------------------|---------------------------------|----------------------------------|--------------------------------------|---------------------------------|--|
| H90TDE D16/D14,S100    | 90     | 16      | 14      | 100    | 92818804                   | 92818741                        | 92818772                         | 92818789                             | 92818916                        | 92818798                                   |
| H90TDE D16/D19,S100    | 90     | 16      | 19      | 100    | 92818805                   | 92818741                        | 92818773                         | 92818789                             | 92818916                        | 92818798                                   |
| H90TDE D16/D19,S140    | 90     | 16      | 19      | 140    | 92818806                   | 92818741                        | 92818773                         | 92818789                             | 92818920                        | 92818798                                   |
| H90TDE D16/D24,S100    | 90     | 16      | 24      | 100    | 92818807                   | 92818741                        | 92818774                         | 92818789                             | 92818916                        | 92818798                                   |
| H90TDE D16/D24,S140    | 90     | 16      | 24      | 140    | 92818808                   | 92818741                        | 92818774                         | 92818789                             | 92818920                        | 92818798                                   |
| H90TDE D16/D28,S100    | 90     | 16      | 28      | 100    | 92818809                   | 92818741                        | 92818775                         | 92818789                             | 92818916                        | 92818798                                   |
| H90TDE D16/D28,S140    | 90     | 16      | 28      | 140    | 92818810                   | 92818741                        | 92818775                         | 92818789                             | 92818920                        | 92818798                                   |
| H90TDE D16/D38,S100    | 90     | 16      | 38      | 100    | 92818811                   | 92818741                        | 92818776                         | 92818789                             | 92818916                        | 92818798                                   |
| H90TDE D24-40/D19S100  | 90     | 24      | 19      | 100    | 92818812                   | 92818743                        | 92818773                         | 92818789                             | 92818916                        | 92818798                                   |
| H90TDE D24-40/D19S140  | 90     | 24      | 19      | 140    | 92818813                   | 92818743                        | 92818773                         | 92818789                             | 92818920                        | 92818798                                   |
| H90TDE D24-40/D24S100  | 90     | 24      | 24      | 100    | 92818814                   | 92818743                        | 92818774                         | 92818789                             | 92818916                        | 92818798                                   |
| H90TDE D24-40/D24S140  | 90     | 24      | 24      | 140    | 92818815                   | 92818743                        | 92818774                         | 92818789                             | 92818920                        | 92818798                                   |
| H90TDE D24-40/D28S100  | 90     | 24      | 28      | 100    | 92818816                   | 92818743                        | 92818775                         | 92818789                             | 92818916                        | 92818798                                   |
| H90TDE D24-40/D28S140  | 90     | 24      | 28      | 140    | 92818817                   | 92818743                        | 92818775                         | 92818789                             | 92818920                        | 92818798                                   |
| H90TDE D24-40/D38S100  | 90     | 24      | 38      | 100    | 92818818                   | 92818743                        | 92818776                         | 92818789                             | 92818916                        | 92818798                                   |
| H90TDE D24-40/D38S140  | 90     | 24      | 38      | 140    | 92818819                   | 92818743                        | 92818776                         | 92818789                             | 92818920                        | 92818798                                   |
| H90TDE D32/D24,S140    | 90     | 32      | 24      | 140    | 92818820                   | 92818749                        | 92818774                         | 92818789                             | 92818920                        | 92818798                                   |
| H90TDE D32/D28,S140    | 90     | 32      | 28      | 140    | 92818821                   | 92818749                        | 92818775                         | 92818789                             | 92818920                        | 92818798                                   |
| H90TDE D32/D28,S180    | 90     | 32      | 28      | 180    | 92818822                   | 92818749                        | 92818775                         | 92818789                             | 92818926                        | 92818798                                   |
| H90TDE D32/D38,S100    | 90     | 32      | 38      | 100    | 92818823                   | 92818749                        | 92818776                         | 92818789                             | 92818916                        | 92818798                                   |
| H90TDE D32/D38,S140    | 90     | 32      | 38      | 140    | 92818824                   | 92818749                        | 92818776                         | 92818789                             | 92818920                        | 92818798                                   |
| H90TDE D32/D38,S180    | 90     | 32      | 38      | 180    | 92818825                   | 92818749                        | 92818776                         | 92818789                             | 92818926                        | 92818798                                   |
| H100TDE D16/D42,S100   | 100    | 16      | 42      | 100    | 92818826                   | 92818742                        | 92818778                         | 92818790                             | 92818917                        | 92937111                                   |
| H100TDE D24-40/D38S100 | 100    | 24      | 38      | 100    | 92818827                   | 92818744                        | 92818777                         | 92818790                             | 92818917                        | 92937111                                   |
| H100TDE D24-40/D38S140 | 100    | 24      | 38      | 140    | 92818828                   | 92818744                        | 92818777                         | 92818790                             | 92818921                        | 92937111                                   |
| H100TDE D24-40/D42S100 | 100    | 24      | 42      | 100    | 92818829                   | 92818744                        | 92818778                         | 92818790                             | 92818917                        | 92937111                                   |
| H100TDE D24-40/D42S140 | 100    | 24      | 42      | 140    | 92818830                   | 92818744                        | 92818778                         | 92818790                             | 92818921                        | 92937111                                   |
| H100TDE D24-60/D42S100 | 100    | 24      | 42      | 100    | 92818831                   | 92818745                        | 92818778                         | 92818790                             | 92818917                        | 92937111                                   |
| H100TDE D24-60/D42S140 | 100    | 24      | 42      | 140    | 92818832                   | 92818745                        | 92818778                         | 92818790                             | 92818921                        | 92937111                                   |
| H100TDE D32/D38,S140   | 100    | 32      | 38      | 140    | 92818833                   | 92818750                        | 92818777                         | 92818790                             | 92818921                        | 92937111                                   |
| H100TDE D32/D38,S180   | 100    | 32      | 38      | 180    | 92818834                   | 92818750                        | 92818777                         | 92818790                             | 92818927                        | 92937111                                   |
| H100TDE D32/D42,S100   | 100    | 32      | 42      | 100    | 92818835                   | 92818750                        | 92818778                         | 92818790                             | 92818917                        | 92937111                                   |
| H100TDE D32/D42,S140   | 100    | 32      | 42      | 140    | 92818836                   | 92818750                        | 92818778                         | 92818790                             | 92818921                        | 92937111                                   |
| H100TDE D32/D42,S180   | 100    | 32      | 42      | 180    | 92818837                   | 92818750                        | 92818778                         | 92818790                             | 92818927                        | 92937111                                   |
| H100TDE D42/D38,S180   | 100    | 42      | 38      | 180    | 92818838                   | 92818754                        | 92818777                         | 92818790                             | 92818927                        | 92937111                                   |
| H100TDE D42/D42,S180   | 100    | 42      | 42      | 180    | 92818839                   | 92818754                        | 92818778                         | 92818790                             | 92818927                        | 92937111                                   |
| H120TDE D24-60/D42S140 | 120    | 24      | 42      | 140    | 92818840                   | 92818746                        | 92818779                         | 92818791                             | 92818923                        | 92818799                                   |
| H120TDE D32/D42,S140   | 120    | 32      | 42      | 140    | 92818841                   | 92818751                        | 92818779                         | 92818791                             | 92818923                        | 92818799                                   |
| H120TDE D32/D42,S180   | 120    | 32      | 42      | 180    | 92818842                   | 92818751                        | 92818779                         | 92818791                             | 92818928                        | 92818799                                   |
| H120TDE D42/D42,S180   | 120    | 42      | 42      | 180    | 92818843                   | 92818755                        | 92818779                         | 92818791                             | 92818928                        | 92818799                                   |
| H120TDE D42/D42,S200   | 120    | 42      | 42      | 200    | 92818844                   | 92818755                        | 92818779                         | 92818791                             | 92818935                        | 92818799                                   |
| H120TDE D48/D42,S250   | 120    | 48      | 42      | 250    | 92818845                   | 92818760                        | 92818779                         | 92818791                             | 92818942                        | 92818799                                   |
| H130TDE D24-60/D48S100 | 130    | 24      | 48      | 100    | 92818846                   | 92818747                        | 92818780                         | 92818792                             | 92818918                        | 92937112                                   |

| Coupling cpl. spa.     | H [mm] | d5 [mm] | dm [mm] | X [mm] | Kit - Spacer Coupling cpl. | Kit - Pump hub, spacer coupling | Kit - Motor hub, spacer coupling | Kit - Flexible disc, spacer coupling | Spare - Spacer, spacer coupling | Kit - Bolt + sleeve + nut, spacer coupling |
|------------------------|--------|---------|---------|--------|----------------------------|---------------------------------|----------------------------------|--------------------------------------|---------------------------------|--|
| H130TDE D24-60/D48S140 | 130    | 24      | 48      | 140    | 92818847                   | 92818747                        | 92818780                         | 92818792                             | 92818924                        | 92937112                                   |
| H130TDE D24-60/D55S100 | 130    | 24      | 55      | 100    | 92818848                   | 92818747                        | 92818781                         | 92818792                             | 92818918                        | 92937112                                   |
| H130TDE D24-60/D55S140 | 130    | 24      | 55      | 140    | 92818849                   | 92818747                        | 92818781                         | 92818792                             | 92818924                        | 92937112                                   |
| H130TDE D32/D48,S100   | 130    | 32      | 48      | 100    | 92818850                   | 92818752                        | 92818780                         | 92818792                             | 92818918                        | 92937112                                   |
| H130TDE D32/D48,S140   | 130    | 32      | 48      | 140    | 92818851                   | 92818752                        | 92818780                         | 92818792                             | 92818924                        | 92937112                                   |
| H130TDE D32/D48,S180   | 130    | 32      | 48      | 180    | 92818852                   | 92818752                        | 92818780                         | 92818792                             | 92818929                        | 92937112                                   |
| H130TDE D32/D55,S100   | 130    | 32      | 55      | 100    | 92818853                   | 92818752                        | 92818781                         | 92818792                             | 92818918                        | 92937112                                   |
| H130TDE D32/D55,S140   | 130    | 32      | 55      | 140    | 92818854                   | 92818752                        | 92818781                         | 92818792                             | 92818924                        | 92937112                                   |
| H130TDE D32/D55,S180   | 130    | 32      | 55      | 180    | 92818855                   | 92818752                        | 92818781                         | 92818792                             | 92818929                        | 92937112                                   |
| H130TDE D42/D48,S180   | 130    | 42      | 48      | 180    | 92818856                   | 92818756                        | 92818780                         | 92818792                             | 92818929                        | 92937112                                   |
| H130TDE D42/D48,S200   | 130    | 42      | 48      | 200    | 92818857                   | 92818756                        | 92818780                         | 92818792                             | 92818936                        | 92937112                                   |
| H130TDE D42/D55,S180   | 130    | 42      | 55      | 180    | 92818858                   | 92818756                        | 92818781                         | 92818792                             | 92818929                        | 92937112                                   |
| H130TDE D42/D55,S200   | 130    | 42      | 55      | 200    | 92818859                   | 92818756                        | 92818781                         | 92818792                             | 92818936                        | 92937112                                   |
| H130TDE D48/D48,S180   | 130    | 48      | 48      | 180    | 92818860                   | 92818761                        | 92818780                         | 92818792                             | 92818929                        | 92937112                                   |
| H130TDE D48/D48,S200   | 130    | 48      | 48      | 200    | 92818861                   | 92818761                        | 92818780                         | 92818792                             | 92818936                        | 92937112                                   |
| H130TDE D48/D48,S250   | 130    | 48      | 48      | 250    | 92818862                   | 92818761                        | 92818780                         | 92818792                             | 92818943                        | 92937112                                   |
| H130TDE D48/D48,S300   | 130    | 48      | 48      | 300    | 92818863                   | 92818761                        | 92818780                         | 92818792                             | 92818950                        | 92937112                                   |
| H130TDE D48/D55,S180   | 130    | 48      | 55      | 180    | 92818864                   | 92818761                        | 92818781                         | 92818792                             | 92818929                        | 92937112                                   |
| H130TDE D48/D55,S200   | 130    | 48      | 55      | 200    | 92818865                   | 92818761                        | 92818781                         | 92818792                             | 92818936                        | 92937112                                   |
| H130TDE D48/D55,S250   | 130    | 48      | 55      | 250    | 92818866                   | 92818761                        | 92818781                         | 92818792                             | 92818943                        | 92937112                                   |
| H130TDE D48/D55,S300   | 130    | 48      | 55      | 300    | 92818867                   | 92818761                        | 92818781                         | 92818792                             | 92818950                        | 92937112                                   |
| H146TDE D24-75/D60S140 | 146    | 24      | 60      | 140    | 92818868                   | 92818748                        | 92818782                         | 92818793                             | 92818925                        | 92818800                                   |
| H146TDE D32/D60,S100   | 146    | 32      | 60      | 100    | 92818869                   | 92818753                        | 92818782                         | 92818793                             | 92818919                        | 92818800                                   |
| H146TDE D32/D60,S140   | 146    | 32      | 60      | 140    | 92818870                   | 92818753                        | 92818782                         | 92818793                             | 92818925                        | 92818800                                   |
| H146TDE D32/D65,S100   | 146    | 32      | 65      | 100    | 92818871                   | 92818753                        | 92818783                         | 92818793                             | 92818919                        | 92818800                                   |
| H146TDE D32/D65,S140   | 146    | 32      | 65      | 140    | 92818872                   | 92818753                        | 92818783                         | 92818793                             | 92818925                        | 92818800                                   |
| H146TDE D42/D60,S180   | 146    | 42      | 60      | 180    | 92818873                   | 92818757                        | 92818782                         | 92818793                             | 92818931                        | 92818800                                   |
| H146TDE D42/D60,S200   | 146    | 42      | 60      | 200    | 92818874                   | 92818757                        | 92818782                         | 92818793                             | 92818937                        | 92818800                                   |
| H146TDE D42/D65,S180   | 146    | 42      | 65      | 180    | 92818875                   | 92818757                        | 92818783                         | 92818793                             | 92818931                        | 92818800                                   |
| H146TDE D42/D65,S200   | 146    | 42      | 65      | 200    | 92818876                   | 92818757                        | 92818783                         | 92818793                             | 92818937                        | 92818800                                   |
| H146TDE D48/D60,S180   | 146    | 48      | 60      | 180    | 92818877                   | 92818762                        | 92818782                         | 92818793                             | 92818931                        | 92818800                                   |
| H146TDE D48/D60,S200   | 146    | 48      | 60      | 200    | 92818878                   | 92818762                        | 92818782                         | 92818793                             | 92818937                        | 92818800                                   |
| H146TDE D48/D60,S250   | 146    | 48      | 60      | 250    | 92818879                   | 92818762                        | 92818782                         | 92818793                             | 92818944                        | 92818800                                   |
| H146TDE D48/D60,S300   | 146    | 48      | 60      | 300    | 92818880                   | 92818762                        | 92818782                         | 92818793                             | 92818951                        | 92818800                                   |
| H146TDE D48/D65,S180   | 146    | 48      | 65      | 180    | 92818881                   | 92818762                        | 92818783                         | 92818793                             | 92818931                        | 92818800                                   |
| H146TDE D48/D65,S200   | 146    | 48      | 65      | 200    | 92818882                   | 92818762                        | 92818783                         | 92818793                             | 92818937                        | 92818800                                   |
| H146TDE D48/D65,S250   | 146    | 48      | 65      | 250    | 92818883                   | 92818762                        | 92818783                         | 92818793                             | 92818944                        | 92818800                                   |
| H146TDE D48/D65,S300   | 146    | 48      | 65      | 300    | 92818884                   | 92818762                        | 92818783                         | 92818793                             | 92818951                        | 92818800                                   |
| H146TDE D60/D60,S250   | 146    | 60      | 60      | 250    | 92818885                   | 92818767                        | 92818782                         | 92818793                             | 92818944                        | 92818800                                   |
| H146TDE D60/D60,S300   | 146    | 60      | 60      | 300    | 92818886                   | 92818767                        | 92818782                         | 92818793                             | 92818951                        | 92818800                                   |
| H146TDE D60/D65,S250   | 146    | 60      | 65      | 250    | 92818887                   | 92818767                        | 92818783                         | 92818793                             | 92818944                        | 92818800                                   |
| H146TDE D60/D65,S300   | 146    | 60      | 65      | 300    | 92818888                   | 92818767                        | 92818783                         | 92818793                             | 92818951                        | 92818800                                   |
| H176TDE D42/D75,S180   | 176    | 42      | 75      | 180    | 92818889                   | 92818758                        | 92818784                         | 92818794                             | 92818932                        | 92818801                                   |
| H176TDE D42/D75,S200   | 176    | 42      | 75      | 200    | 92818890                   | 92818758                        | 92818784                         | 92818794                             | 92818938                        | 92818801                                   |
| H176TDE D48/D75,S180   | 176    | 48      | 75      | 180    | 92818891                   | 92818763                        | 92818784                         | 92818794                             | 92818932                        | 92818801                                   |
| H176TDE D48/D75,S200   | 176    | 48      | 75      | 200    | 92818892                   | 92818763                        | 92818784                         | 92818794                             | 92818938                        | 92818801                                   |
| H176TDE D48/D75,S250   | 176    | 48      | 75      | 250    | 92818893                   | 92818763                        | 92818784                         | 92818794                             | 92818945                        | 92818801                                   |
| H176TDE D48/D75,S300   | 176    | 48      | 75      | 300    | 92818894                   | 92818763                        | 92818784                         | 92818794                             | 92818952                        | 92818801                                   |
| H176TDE D60/D75,S250   | 176    | 60      | 75      | 250    | 92818895                   | 92818768                        | 92818784                         | 92818794                             | 92818945                        | 92818801                                   |
| H176TDE D60/D75,S300   | 176    | 60      | 75      | 300    | 92818896                   | 92818768                        | 92818784                         | 92818794                             | 92818952                        | 92818801                                   |
| H196TDE D42/D80,S180   | 196    | 42      | 80      | 180    | 92818897                   | 92818759                        | 92818785                         | 92818795                             | 92818933                        | 92818802                                   |
| H196TDE D48/D80,S180   | 196    | 48      | 80      | 180    | 92818898                   | 92818764                        | 92818785                         | 92818795                             | 92818933                        | 92818802                                   |
| H196TDE D48/D80,S200   | 196    | 48      | 80      | 200    | 92818899                   | 92818764                        | 92818785                         | 92818795                             | 92818940                        | 92818802                                   |

| Coupling cpl. spa.   | H<br>[mm] | d5<br>[mm] | dm<br>[mm] | X<br>[mm] | Kit - Spacer<br>Coupling cpl. | Kit - Pump<br>hub, spacer<br>coupling | Kit - Motor<br>hub, spacer<br>coupling | Kit - Flexible<br>disc, spacer<br>coupling | Spare -<br>Spacer,<br>spacer<br>coupling | Kit - Bolt +<br>sleeve + nut,<br>spacer<br>coupling |
|----------------------|-----------|------------|------------|-----------|-------------------------------|---------------------------------------|--|--|--|---|
| H196TDE D48/D80,S250 | 196       | 48         | 80         | 250       | 92818900                      | 92818764                              | 92818785                               | 92818795                                   | 92818947                                 | 92818802  |
| H196TDE D48/D80,S300 | 196       | 48         | 80         | 300       | 92818901                      | 92818764                              | 92818785                               | 92818795                                   | 92818953                                 | 92818802  |
| H196TD D48/D80,S180  | 196       | 48         | 80         | 180       | 92818902                      | 92818765                              | 92818786                               | 92818796                                   | 92818934                                 | 92818803  |
| H196TD D48/D80,S200  | 196       | 48         | 80         | 200       | 92818903                      | 92818765                              | 92818786                               | 92818796                                   | 92818941                                 | 92818803  |
| H196TD D48/D80,S250  | 196       | 48         | 80         | 250       | 92818904                      | 92818765                              | 92818786                               | 92818796                                   | 92818948                                 | 92818803  |
| H196TD D48/D80,S300  | 196       | 48         | 80         | 300       | 92818905                      | 92818765                              | 92818786                               | 92818796                                   | 92818955                                 | 92818803  |
| H196TDE D60/D80,S250 | 196       | 60         | 80         | 250       | 92818906                      | 92818769                              | 92818785                               | 92818795                                   | 92818947                                 | 92818802  |
| H196TDE D60/D80,S300 | 196       | 60         | 80         | 300       | 92818908                      | 92818769                              | 92818785                               | 92818795                                   | 92818953                                 | 92818802  |
| H196TD D60/D80,S250  | 196       | 60         | 80         | 250       | 92818909                      | 92818770                              | 92818786                               | 92818796                                   | 92818948                                 | 92818803  |
| H196TD D60/D80,S300  | 196       | 60         | 80         | 300       | 92818910                      | 92818770                              | 92818786                               | 92818796                                   | 92818955                                 | 92818803  |
| H226TD D60/D95,S250  | 226       | 60         | 95         | 250       | 92818911                      | 92818771                              | 92818787                               | 92818797                                   | 92818949                                 | 92937113  |
| H226TD D60/D95,S300  | 226       | 60         | 95         | 300       | 92818912                      | 92818771                              | 92818787                               | 92818797                                   | 92818956                                 | 92937113  |
| H226TD D60/D100,S250 | 226       | 60         | 100        | 250       | 92818913                      | 92818771                              | 92818788                               | 92818797                                   | 92818949                                 | 92937113  |
| H226TD D60/D100,S300 | 226       | 60         | 100        | 300       | 92818915                      | 92818771                              | 92818788                               | 92818797                                   | 92818956                                 | 92937113  |

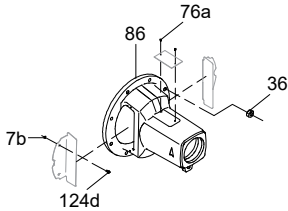
### Kit - Standard bearing bracket

Standard bearing bracket codes: A1, A2, I1, I2, Y1



Pump version code

#### Bearing bracket, standard bearing bracket

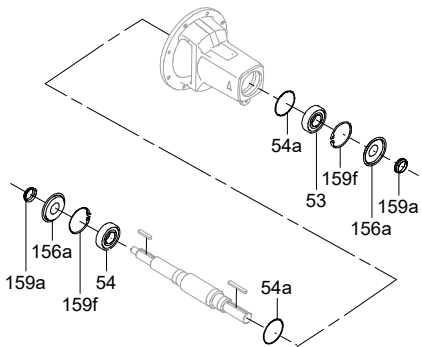


TM1040111

#### Kit - Bearing bracket, standard bearing bracket

- 7b: 4 x Lock washer
- 36: Needed number of nuts
- 76a: 2 x Rivet
- 86: 1 x Bearing bracket, machined
- 124d: 4 x Screw for shaft guard

#### Bearings, standard bearing bracket



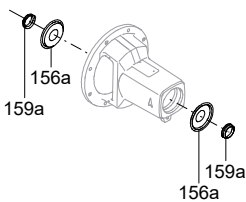
TM1040108

**NOTE!** Bearings are closed and 'greased for life'.

#### Kit - Bearings, standard bearing bracket

- 53 and 54: 2 x Bearing
- 54a: 2 x O-ring
- 156a: 2 x Bearing cover
- 159a: 2 x V-ring
- 159f: 2 x Retaining ring

#### V-ring, standard bearing bracket

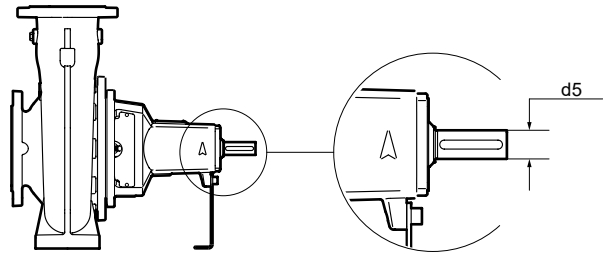


TM1040118

#### Kit - V-ring, standard bearing bracket

- 156a: 2 x Cover
- 159a: 2 x V-ring

**Step 1:** Find the pump size and measure the diameter d5 of the pump end.



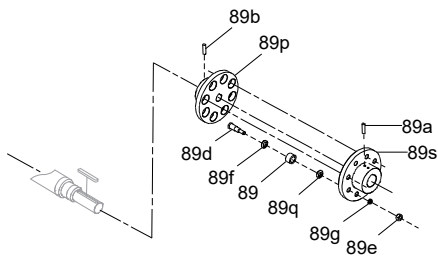
| Pump size   | d5      | Pump size  | d5      | Pump size  | d5      |
|-------------|---------|------------|---------|------------|---------|
| 32-130.1-2P | D16A    | 50-280-4P  | D24     | 125-180-4P | D24     |
| 32-130.1-4P | D16A    | 50-350     | D32     | 125-225    | D32S(S) |
| 32-130-2P   | D16A    | 65-130-2P  | D24     | 125-280    | D32     |
| 32-130-4P   | D16A    | 65-130-4P  | D16     | 125-350    | D42     |
| 32-165.1-2P | D24     | 65-180-2P  | D24     | 125-380    | D42     |
| 32-165.1-4P | D16     | 65-180-4P  | D16     | 150-225    | D32S(S) |
| 32-180-2P   | D16     | 65-225-2P  | D32S(S) | 150-280    | D42     |
| 32-180-4P   | D16     | 65-225-4P  | D24     | 150-300    | D42     |
| 32-205.1-2P | D24     | 65-280     | D32     | 150-350    | D42     |
| 32-205.1-4P | D16     | 80-180-2P  | D24     | 150-380    | D48     |
| 40-130-2P   | D24     | 80-180-4P  | D16     | 200-300    | D42     |
| 40-130-4P   | D16     | 80-225-2P  | D32S(S) | 200-350    | D42     |
| 40-180-2P   | D24     | 80-225-4P  | D24     | 200-380    | D48     |
| 40-180-4P   | D16     | 80-280     | D32     | 200-500    | D60     |
| 40-220-2P   | D24     | 80-350     | D32     | 250-315    | D48     |
| 40-220-4P   | D24     | 100-180-2P | D24     | 250-360    | D48     |
| 40-225-2P   | D24     | 100-180-4P | D24     | 250-380    | D48     |
| 40-225-4P   | D24     | 100-225-2P | D32S(S) | 300-300    | D48     |
| 50-130-2P   | D24     | 100-225-4P | D24     | 300-310    | D48     |
| 50-130-4P   | D16     | 100-280    | D32     | 300-350    | D60     |
| 50-225-2P   | D32S(S) | 100-350    | D32     | 300-400    | D60     |
| 50-225-4P   | D24     | 100-380    | D42     | 350-350    | D60     |
| 50-280-2P   | D32S(S) | 125-180-2P | D24     |            |         |

**Step 2:** Use the d5 dimension to find the needed kit.

| d5      | Kit - Bearing bracket    | Kit - Bearing            | Kit - V-ring             |
|---------|--------------------------|--------------------------|--------------------------|
| D16     | <a href="#">92729025</a> | <a href="#">92729003</a> | <a href="#">92728989</a> |
| D16A    | <a href="#">92606742</a> | <a href="#">92729003</a> | <a href="#">92728989</a> |
| D24     | <a href="#">92729026</a> | <a href="#">96579598</a> | <a href="#">92728990</a> |
| D32S(S) | <a href="#">92729027</a> | <a href="#">96579599</a> | <a href="#">92728991</a> |
| D32     | <a href="#">92729028</a> | <a href="#">96579599</a> | <a href="#">92728991</a> |
| D42     | <a href="#">92729029</a> | <a href="#">95919874</a> | <a href="#">92728992</a> |
| D48     | <a href="#">92729030</a> | <a href="#">95919876</a> | <a href="#">92728993</a> |
| D60     | <a href="#">92729031</a> | <a href="#">95919878</a> | <a href="#">92728994</a> |

## Kit/spare/bulk - Standard coupling

### Standard coupling

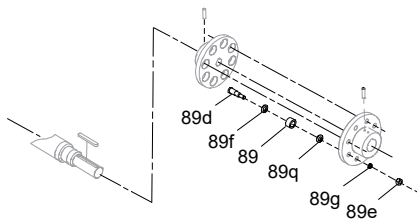


TM1040120

#### Kit - Standard coupling

89a and 89b: Hex screw  
 89p: Coupling female part, pump end  
 89s: Coupling male part, motor end  
 89 + 89d + 89f + 89g + 89q + 89e: 1 Set of bolts/rubber parts

### Bolts, standard coupling



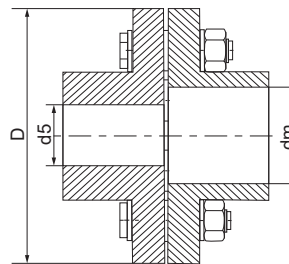
TM1040128

#### Kit - Bolts, standard coupling

89: Set of rubber parts  
 89d: Set of bolts  
 89e: Set of nuts  
 89f and 89q: Set of washers  
 89g: Set of lock washers

### Step 1: Measure 3 dimensions and make a note of these:

- 'D'
- diameter of the pump shaft (d5)
- diameter of the motor shaft (dm)



### Step 2: Match the measurements with table below and find the necessary spare/kit.

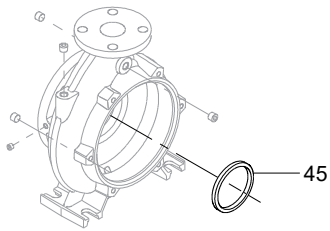
| Coupling cpl. | D [mm] | d5 [mm] | dm [mm] | Kit - Coupling complete  | Kit - Bolts              | Spare - Rubber           | Bulk - Rubber (5 sets)   |
|---------------|--------|---------|---------|--------------------------|--------------------------|--------------------------|--------------------------|
| D112 D16/D14  | 112    | 16      | 14      | <a href="#">92728610</a> | <a href="#">92737890</a> | <a href="#">92738876</a> | <a href="#">92744229</a> |
| D112 D16/D19  | 112    | 16      | 19      | <a href="#">92728611</a> | <a href="#">92737890</a> | <a href="#">92738876</a> | <a href="#">92744229</a> |
| D112 D24/D14  | 112    | 24      | 14      | <a href="#">92728617</a> | <a href="#">92737890</a> | <a href="#">92738876</a> | <a href="#">92744229</a> |
| D112 D24/D19  | 112    | 24      | 19      | <a href="#">92728618</a> | <a href="#">92737890</a> | <a href="#">92738876</a> | <a href="#">92744229</a> |
| D125 D16/D24  | 125    | 16      | 24      | <a href="#">92728612</a> | <a href="#">92737890</a> | <a href="#">92738876</a> | <a href="#">92744229</a> |
| D125 D16/D28  | 125    | 16      | 28      | <a href="#">92728613</a> | <a href="#">92737890</a> | <a href="#">92738876</a> | <a href="#">92744229</a> |
| D125 D24/D24  | 125    | 24      | 24      | <a href="#">92728619</a> | <a href="#">92737890</a> | <a href="#">92738876</a> | <a href="#">92744229</a> |
| D125 D24/D28  | 125    | 24      | 28      | <a href="#">92728620</a> | <a href="#">92737890</a> | <a href="#">92738876</a> | <a href="#">92744229</a> |
| D125 D32/D24  | 125    | 32      | 24      | <a href="#">92728628</a> | <a href="#">92737890</a> | <a href="#">92738876</a> | <a href="#">92744229</a> |
| D125 D32/D28  | 125    | 32      | 28      | <a href="#">92728629</a> | <a href="#">92737890</a> | <a href="#">92738876</a> | <a href="#">92744229</a> |
| D140 D16/D28  | 140    | 16      | 28      | <a href="#">92728614</a> | <a href="#">92737891</a> | <a href="#">92738877</a> | <a href="#">92744229</a> |
| D140 D16/D38  | 140    | 16      | 38      | <a href="#">92728615</a> | <a href="#">92737891</a> | <a href="#">92738877</a> | <a href="#">92744229</a> |

TM1040127

| Coupling cpl. | D [mm] | d5 [mm] | dm [mm] | Kit - Coupling complete | Kit - Bolts | Spare - Rubber | Bulk - Rubber (5 sets) |
|---------------|--------|---------|---------|-------------------------|-------------|----------------|------------------------|
| D140 D16/D42  | 140    | 16      | 42      | 92728616                | 92737891    | 92738877       | 92744229               |
| D140 D24/D28  | 140    | 24      | 28      | 92728621                | 92737891    | 92738877       | 92744229               |
| D140 D24/D38  | 140    | 24      | 38      | 92728622                | 92737891    | 92738877       | 92744229               |
| D140 D24/D42  | 140    | 24      | 42      | 92728623                | 92737891    | 92738877       | 92744229               |
| D140 D32/D28  | 140    | 32      | 28      | 92728630                | 92737891    | 92738877       | 92744229               |
| D140 D32/D38  | 140    | 32      | 38      | 92728631                | 92737891    | 92738877       | 92744229               |
| D140 D32/D42  | 140    | 32      | 42      | 92728632                | 92737891    | 92738877       | 92744229               |
| D140 D42/D28  | 140    | 42      | 28      | 92728641                | 92737891    | 92738877       | 92744229               |
| D140 D42/D38  | 140    | 42      | 38      | 92728642                | 92737891    | 92738877       | 92744229               |
| D140 D42/D42  | 140    | 42      | 42      | 92728643                | 92737891    | 92738877       | 92744229               |
| D160 D24/D48  | 160    | 24      | 48      | 92728624                | 92737892    | 92738878       | 92744229               |
| D160 D32/D48  | 160    | 32      | 48      | 92728633                | 92737892    | 92738878       | 92744229               |
| D160 D42/D48  | 160    | 42      | 48      | 92728644                | 92737892    | 92738878       | 92744229               |
| D160 D48/D42  | 160    | 48      | 42      | 92728653                | 92737892    | 92738878       | 92744229               |
| D160 D48/D48  | 160    | 48      | 48      | 92728654                | 92737892    | 92738878       | 92744229               |
| D180 D24/D55  | 180    | 24      | 55      | 92728625                | 92737892    | 92738878       | 92744229               |
| D180 D32/D55  | 180    | 32      | 55      | 92728634                | 92737892    | 92738878       | 92744229               |
| D180 D42/D55  | 180    | 42      | 55      | 92728645                | 92737892    | 92738878       | 92744229               |
| D180 D48/D55  | 180    | 48      | 55      | 92728656                | 92737892    | 92738878       | 92744229               |
| D180 D60/D55  | 180    | 60      | 55      | 92728666                | 92737892    | 92738878       | 92744229               |
| D200 D24/D60  | 200    | 24      | 60      | 92728626                | 92737893    | 92738879       | 92744250               |
| D200 D24/D65  | 200    | 24      | 65      | 92728627                | 92737893    | 92738879       | 92744250               |
| D200 D32/D60  | 200    | 32      | 60      | 92728635                | 92737893    | 92738879       | 92744250               |
| D200 D32/D65  | 200    | 32      | 65      | 92728638                | 92737893    | 92738879       | 92744250               |
| D200 D42/D60  | 200    | 42      | 60      | 92728646                | 92737893    | 92738879       | 92744250               |
| D200 D42/D65  | 200    | 42      | 65      | 92728648                | 92737893    | 92738879       | 92744250               |
| D200 D48/D60  | 200    | 48      | 60      | 92728657                | 92737893    | 92738879       | 92744250               |
| D200 D48/D65  | 200    | 48      | 65      | 92728658                | 92737893    | 92738879       | 92744250               |
| D200 D60/D60  | 200    | 60      | 60      | 92728667                | 92737893    | 92738879       | 92744250               |
| D200 D60/D65  | 200    | 60      | 65      | 92728668                | 92737893    | 92738879       | 92744250               |
| D224 D32/D60  | 224    | 32      | 60      | 92728636                | 92737893    | 92738879       | 92744250               |
| D224 D32/D65  | 224    | 32      | 65      | 92728637                | 92737893    | 92738879       | 92744250               |
| D224 D42/D65  | 224    | 42      | 65      | 92728647                | 92737893    | 92738879       | 92744250               |
| D224 D48/D65  | 224    | 48      | 65      | 92728659                | 92737893    | 92738879       | 92744250               |
| D224 D60/D65  | 224    | 60      | 65      | 92728669                | 92737893    | 92738879       | 92744250               |
| D250 D32/D75  | 250    | 32      | 75      | 92728640                | 92737894    | 92738890       | 92744251               |
| D250 D42/D75  | 250    | 42      | 75      | 92728649                | 92737894    | 92738890       | 92744251               |
| D250 D42/D80  | 250    | 42      | 80      | 92728650                | 92737894    | 92738890       | 92744251               |
| D250 D48/D75  | 250    | 48      | 75      | 92728661                | 92737894    | 92738890       | 92744251               |
| D250 D48/D80  | 250    | 48      | 80      | 92728662                | 92737894    | 92738890       | 92744251               |
| D250 D60/D75  | 250    | 60      | 75      | 92728670                | 92737894    | 92738890       | 92744251               |
| D250 D60/D80  | 250    | 60      | 80      | 92728671                | 92737894    | 92738890       | 92744251               |
| D280 D60/D95  | 280    | 60      | 95      | 92774667                | 92731374    | 92731375       | 92731376               |
| D280 D60/D100 | 280    | 60      | 100     | 92774668                | 92731374    | 92731375       | 92731376               |

## Kit/spare - Wear ring

### Press fitted wear ring

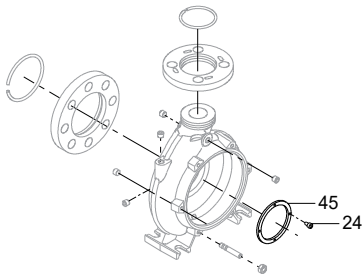
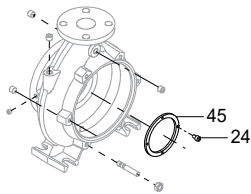


TM076537

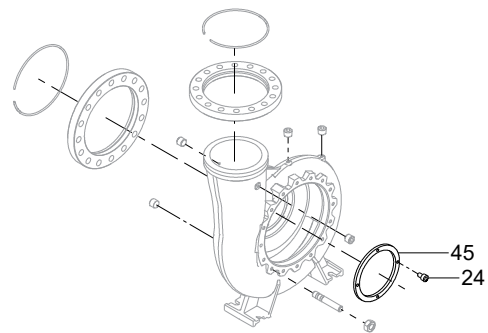
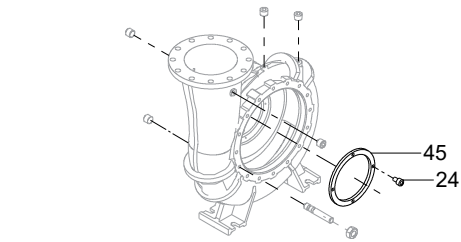
#### Spare - Wear ring, press fitted

45: Wear ring

### Screw fitted wear ring



TM1040201



TM1040202

#### Kit - Wear ring, screw fitted

24: 4 x Socket head cap screw

45: Wear ring



**Step 1: Find the pump size and note the ID code of the wear ring.**

| Pump size | ID code | Pump size | ID code |
|-----------|---------|-----------|---------|
| 32-130.1  | 76      | 100-350   | 144     |
| 32-130    | 76      | 100-380   | 174     |
| 32-165.1  | 63      | 125-180   | 144     |
| 32-180    | 63      | 125-225   | 174     |
| 32-205.1  | 63      | 125-280   | 154     |
| 40-130    | 90      | 125-350   | 154     |
| 40-180    | 90      | 125-380   | 185     |
| 40-220    | 76      | 150-225   | 185     |
| 40-225    | 76      | 150-280   | 185     |
| 50-130    | 100     | 150-300   | 185     |
| 50-225    | 112     | 150-350   | 200     |
| 50-280    | 95      | 150-380   | 210     |
| 50-350    | 95      | 200-300   | 210     |
| 65-130    | 112     | 200-350   | 224     |
| 65-180    | 90      | 200-380   | 222     |
| 65-225    | 100     | 200-500   | 260     |
| 65-280    | 100     | 250-315   | 230     |
| 80-180    | 112     | 250-360   | 240     |
| 80-225    | 112     | 250-380   | 240     |
| 80-280    | 112     | 300-300   | 270     |
| 80-350    | 122 -1  | 300-310   | 324.6   |
| 100-180   | 122-2   | 300-350   | 270     |
| 100-225   | 130-1   | 300-400   | 270     |
| 100-280   | 130-2   | 350-350   | 324.6   |

**Step 2: Use the ID code and the material code to find the needed spare/kit. Make a control check by measuring the old wear ring dimensions.**



Material code

| ID    | Wear ring dimensions | Material code      |          |                 |          |                 |          |
|-------|----------------------|--------------------|----------|-----------------|----------|-----------------|----------|
|       |                      | X <sup>9)</sup>    |          | X <sup>9)</sup> |          | X <sup>9)</sup> |          |
|       |                      | Wear ring material |          |                 |          |                 |          |
|       |                      | Bronze             |          | Cast iron       |          | Brass           |          |
|       |                      | Spare              | Kit      | Spare           | Kit      | Spare           | Kit      |
| 63    | D63/D77x10           | 96810098           | -        | 96810122        | -        | 99208775        | -        |
| 76    | D76/D90x10           | 96810099           | -        | 96810123        | -        | 99208825        | -        |
| 90    | D90/D104x10          | 96810100           | -        | 96810126        | -        | 99208821        | -        |
| 95    | D95/D109x10          | 92526542           | -        | 92526543        | -        | 92526541        | -        |
| 100   | D100/D114x10         | 96810102           | -        | 96810140        | -        | 99208819        | -        |
| 112   | D112/D126x10         | 96810103           | -        | 96810141        | -        | 99208818        | -        |
| 122-1 | D122/D136x10         | 96810104           | -        | 96939585        | -        | 99208817        | -        |
| 122-2 | D122/D138x13         | 96810105           | -        | 96939586        | -        | 99208813        | -        |
| 130-1 | D130/D144x10         | 96810106           | -        | 96939587        | -        | 99208815        | -        |
| 130-2 | D130/D146x13         | 96797626           | -        | 96939588        | -        | 99208810        | -        |
| 144   | D144/D158x15         | 96810107           | -        | 96939589        | -        | 99208748        | -        |
| 154   | D154/D168x15         | 96797628           | -        | 96939590        | -        | 99208807        | -        |
| 174   | D174/D188x15         | 96810108           | -        | 96939591        | -        | 99208745        | -        |
| 185   | D185/D199x15         | 96810109           | -        | 96939602        | -        | 99208792        | -        |
| 200   | D200/D214x15         | 96810110           | -        | 96939603        | -        | 99208786        | -        |
| 210   | D210/D224x15         | 96810111           | -        | 96939604        | -        | 99208749        | -        |
| 222   | D222/D272x15         | -                  | -        | -               | 96939606 | -               | 96939611 |
| 224   | D224/D238x15         | 96810112           | -        | 96939605        | -        | 99208743        | -        |
| 230   | D230/D280x15         | -                  | 92837564 | -               | 96939607 | -               | 96939612 |
| 240   | D240/D290x15         | -                  | 92526540 | -               | 96939608 | -               | 96939613 |
| 260   | D260/D310x15         | -                  | 92837565 | -               | 96939610 | -               | 96939615 |
| 270   | D270/D320x15         | -                  | 92837566 | -               | -        | -               | 92837567 |
| 324.6 | D324.6/D358X15       | -                  | -        | -               | 92837568 | -               | 99489223 |

<sup>9)</sup> The material code 'X' is shown in the type designation and indicates that the wear ring is a variant. Contact Grundfos service office to check for installed wear ring material.

## Motors - Relation between P2 (power), pole and frame size for different motor brands

**Step 1: Check the motor brand from the motor name plate.**

**Step 2: Check the nominal motor rpm which corresponds to a pole.**

**Step 3: Check the motor power.**

**Step 4: Find the motor frame size.**

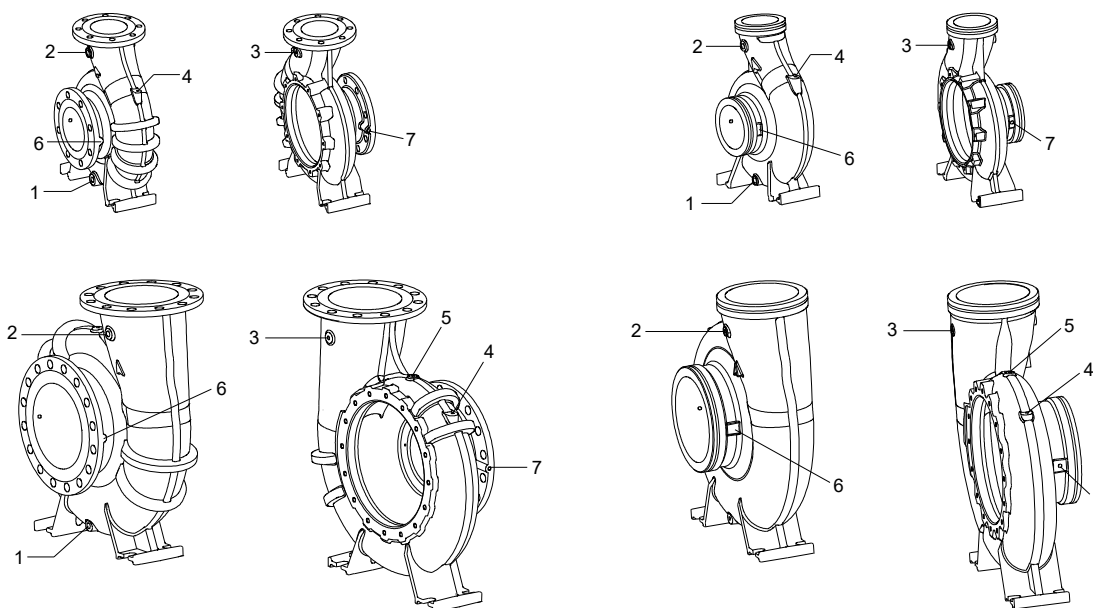
| IE3/IE4    |         |         |         | IE3        |         |         |         | IE4        |         |         |         |
|------------|---------|---------|---------|------------|---------|---------|---------|------------|---------|---------|---------|
| MMG - W    |         |         |         | MMG - G    |         |         |         | MMG - H    |         |         |         |
| Frame size | 2P (kw) | 4P (kw) | 6P (kw) | Frame size | 2P (kw) | 4P (kw) | 6P (kw) | Frame size | 2P (kw) | 4P (kw) | 6P (kw) |
| 71M1       | 0.37    | 0.25    | 0.18    |            |         |         |         |            |         |         |         |
| 71M2       | 0.55    | 0.37    | 0.25    |            |         |         |         |            |         |         |         |
| 80 1       | 0.75    | 0.55    | 0.37    | 80M        | 0.75    | 0.55    |         | 80MA       | 0.75    |         |         |
| 80 2       | 1.1     | 0.75    | 0.55    |            | 1.1     | 0.75    | 0.55    | 80MB       | 1.1     | 0.75    |         |
| 90S        | 1.5     | 1.1     | 0.75    | 90S        | 1.5     | 1.1     | 0.75    | 90S        | 1.5     | 1.1     | 0.75    |
| 90L        | 2.2     | 1.5     | 1.1     | 90L        | 2.2     | 1.5     | 1.1     | 90L        | 2.2     | 1.5     | 1.1     |
| 100L       | 3       |         | 1.5     | 100L       | 3       |         | 1.5     | 100L       | 3       |         | 1.5     |
| 100L1      |         | 2.2     |         |            |         | 2.2     |         | 100LA      |         | 2.2     |         |
| 100L2      |         | 3       |         |            |         | 3       |         | 100LB      |         | 3       |         |
| 112M       | 4       |         | 2.2     | 112M       | 3.7/4   |         | 2.2     | 112M       | 4       | 4       | 2.2     |
|            |         | 4       |         | 112M       |         | 3.7/4   |         |            |         |         |         |
| 132S       |         | 5.5     | 3       | 132S       |         | 5.5     | 3       | 132S       |         |         | 3       |
| 132S1      | 5.5     |         |         |            | 5.5     |         |         | 132SA      | 5.5     | 5.5     |         |
| 132S2      | 7.5     |         |         |            | 7.5     |         |         | 132SB      | 7.5     |         |         |
| 132M       |         | 7.5     |         | 132M       |         | 7.5     |         | 132MA      |         | 7.5     | 4       |
| 132M1      |         |         | 4       |            |         |         | 3.7/4   |            |         |         |         |
| 132M2      |         |         | 5.5     |            |         |         | 5.5     | 132MB      |         |         | 5.5     |
| 160M       |         | 11      | 7.5     | 160M       |         | 11      | 7.5     | 160M       |         |         | 7.5     |
| 160M1      | 11      |         |         |            | 11      |         |         | 160MA      | 11      | 11      |         |
| 160M2      | 15      |         |         |            | 15      |         |         | 160MB      | 15      |         |         |
| 160L       | 18.5    | 15      | 11      | 160L       | 18.5    | 15      | 11      | 160L       | 18.5    |         | 11      |
|            |         |         |         |            |         |         |         | 160LA      |         | 15      |         |
| 180M       | 22      | 18.5    |         | 180M       | 22      | 18.5    |         | 180M       | 22      |         |         |
|            |         |         |         |            |         |         |         | 180MA      |         | 18.5    |         |
| 180L       |         | 22      | 15      | 180L       |         | 22      | 15      | 180L       |         |         | 15      |
|            |         |         |         |            |         |         |         | 180LA      |         | 22      |         |
| 200L       |         | 30      |         | 200L       |         | 30      |         | 200LA      | 30      | 30      | 18.5    |
| 200L1      | 30      |         | 18.5    |            | 30      |         | 18.5    |            |         |         |         |
| 200L2      | 37      |         | 22      |            | 37      |         | 22      | 200LB      | 37      |         | 22      |
| 225S       |         | 37      |         | 225SC      |         | 37      |         | 225SA      |         | 37      |         |
| 225M       | 45      |         |         | 225MA      | 45      |         |         | 225M       |         |         | 30      |
|            |         | 45      | 30      | 225MC      |         | 45      | 30      | 225MA      | 45      | 45      |         |
| 250M       | 55      |         |         | 250MA      | 55      |         |         | 250M       |         |         | 37      |
|            |         | 55      | 37      | 250MC      |         | 55      | 37      | 250MA      | 55      | 55      |         |
| 280S       | 75      |         |         | 280SA      | 75      |         |         | 280S       |         |         | 45      |
|            |         | 75      | 45      | 280SB      |         | 75      | 45      | 280SA      | 75      | 75      |         |
| 280M       | 90      |         |         | 280MA      | 90      |         |         | 280M       |         |         | 55      |
|            |         | 90      | 55      | 280MB      |         | 90      | 55      | 280MA      | 90      | 90      |         |
| 315S       | 110     |         |         | 315SA      | 110     |         |         | 315SA      | 110     | 110     | 75      |
|            |         | 110     | 75      | 315SB      |         | 110     | 75      |            |         |         |         |
| 315M       | 132     |         |         | 315MA      | 132     |         |         | 315M       | 132     |         | 90      |
|            |         | 132     | 90      | 315MB      |         | 132     | 90      | 315MA      |         | 132     |         |
| 315L1      | 160     |         |         | 315LA      | 160     |         |         | 315LA      | 160     | 160     | 110     |
|            |         | 160     | 110     | 315LB      |         | 160     | 110     |            |         |         |         |

| IE3/IE4    |         |         |         | IE3        |         |         |         | IE4        |         |         |         |
|------------|---------|---------|---------|------------|---------|---------|---------|------------|---------|---------|---------|
| MMG - W    |         |         |         | MMG - G    |         |         |         | MMG - H    |         |         |         |
| Frame size | 2P (kw) | 4P (kw) | 6P (kw) | Frame size | 2P (kw) | 4P (kw) | 6P (kw) | Frame size | 2P (kw) | 4P (kw) | 6P (kw) |
| 315L       | 185     |         |         |            |         |         |         |            |         |         |         |
|            |         | 185     |         |            |         |         |         |            |         |         |         |
| 315L2      | 200     |         |         | 315LA      | 200     |         |         | 315LB      | 200     | 200     | 132     |
|            |         |         | 200 132 | 315LB      |         | 200     | 132     |            |         |         |         |
| 355M1      | 220     |         |         | 355MA      | 220     |         |         |            |         |         |         |
|            |         | 220     | 160     | 355MB      |         | 220     | 160     |            |         |         |         |
| 355M       |         |         | 185     |            |         |         |         | 355M       | 250     | 250     |         |
| 355M2      | 250     |         |         | 355MA      | 250     |         |         | 355MA      |         |         | 160     |
|            |         | 250     | 200     | 355MB      |         | 250     | 200/220 | 355MB      |         |         | 200     |
| 355L1      | 280     |         |         |            |         |         |         |            |         |         |         |
|            |         | 280     | 220     |            |         |         |         |            |         |         |         |
| 355L2      | 315     |         |         | 355LA      | 315     |         |         | 355LA      | 315     | 315     | 250     |
|            |         | 315     | 250     | 355LB      |         | 315     | 250     |            |         |         |         |
| 355X1      | 355     |         |         |            |         |         |         |            |         |         |         |
|            |         | 355     | 280     |            |         |         |         |            |         |         |         |
| 355X2      | 375     |         |         | 355CA      | 375     |         |         |            |         |         |         |
|            |         | 375     | 315     | 355CB      |         | 375     | 315     |            |         |         |         |
| 355X3      |         |         | 355     |            |         |         |         |            |         |         |         |

## Pump housing plugs

**NOTE!** This is only for your information. We do not offer plugs as service parts.

**NOTE!** For all NK, NKE - R2 pump housings, the bores pos. 1+2+3+4+ (6 or 7) are drilled and plugged.



TM1040331

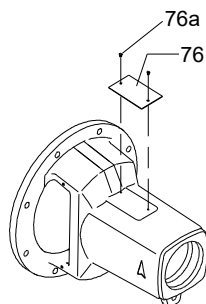
### Pump housing plugs

- 1: Bore for draining plug
- 2: Bore for filling plug
- 3: Bore for connecting Series 2000 capillary tube
- 4: Bore for flushing line
- 5: Bore for venting of pump housing
- 6: Bore for connecting Series 2000 capillary tube - or for mounting of an inlet pressure gauge
- 7: Bore for connecting Series 2000 capillary tube - or for mounting of an inlet pressure gauge

**IMPORTANT!** Bore 2 and bore 3 **CANNOT** be used for mounting of a discharge pressure gauge. The reading in this position of the pump housing will give an incorrect and useless pressure reading compared to what is shown in Sales tools (Grundfos Product Center and data booklets).

| EN/ISO versions |     | Plug position on drawing - (all plugs are with Rp connections) |     |     |     |     |     |     |     |     |     |     |     |     |     |     | 3   | 4                   | 5                   | 6   | 7   |
|-----------------|-----|--|-----|-----|-----|-----|-----|-----|-----|-----|-----|-----|-----|-----|-----|-----|-----|---------------------|---------------------|-----|-----|
|                 |     | 1 + 2  |     |     |     |     |     |     |     |     |     |     |     |     |     |     |     |                     |                     |     |     |
|                 |     | Impeller diameter  |     |     |     |     |     |     |     |     |     |     |     |     |     |     |     |                     |                     |     |     |
|                 |     | 125  | 160 | 180 | 200 | 220 | 225 | 250 | 280 | 300 | 305 | 315 | 350 | 400 | 450 | 500 |     |                     |                     |     |     |
| DN - outlet     | 32  | 3/8  | 3/8 | 3/8 | 3/8 | 3/8 | 3/8 | 3/8 | 3/8 | 3/8 | 3/8 | 3/8 | 3/8 | 3/8 | 3/8 | 3/8 | 1/4 | 1/8                 | Follows size of 1+2 | 1/4 | 1/4 |
|                 | 40  | 3/8  | 3/8 | 3/8 | 3/8 | 3/8 | 3/8 | 3/8 | 3/8 | 3/8 | 3/8 | 3/8 | 3/8 | 3/8 | 3/8 | 3/8 | 1/4 | 1/8                 | Follows size of 1+2 | 1/4 | 1/4 |
|                 | 50  | 3/8  | 3/8 | 3/8 | 3/8 | 3/8 | 3/8 | 3/8 | 3/8 | 3/8 | 1/2 | 1/2 | 1/2 | 1/2 | 1/2 | 1/2 | 1/4 | 1/8                 | Follows size of 1+2 | 1/4 | 1/4 |
|                 | 65  | 3/8  | 3/8 | 3/8 | 3/8 | 3/8 | 3/8 | 1/2 | 1/2 | 1/2 | 1/2 | 1/2 | 1/2 | 1/2 | 1/2 | 1/2 | 1/4 | 1/8                 | Follows size of 1+2 | 1/4 | 1/4 |
|                 | 80  |  | 3/8 | 3/8 | 3/8 | 3/8 | 3/8 | 1/2 | 1/2 | 1/2 | 1/2 | 1/2 | 1/2 | 1/2 | 1/2 | 1/2 | 1/4 | 1/8                 | Follows size of 1+2 | 1/4 | 1/4 |
|                 | 100 |  | 1/2 | 1/2 | 1/2 | 1/2 | 1/2 | 1/2 | 1/2 | 1/2 | 1/2 | 1/2 | 1/2 | 1/2 | 1/2 | 1/2 | 1/4 | 1/8                 | Follows size of 1+2 | 1/4 | 1/4 |
|                 | 125 |  |     | 1/2 | 1/2 | 1/2 | 1/2 | 1/2 | 1/2 | 1/2 | 1/2 | 1/2 | 1/2 | 1/2 | 1/2 | 1/2 | 1/4 | 1/8                 | Follows size of 1+2 | 1/4 | 1/4 |
|                 | 150 |  |     | 1/2 | 1/2 | 1/2 | 1/2 | 1/2 | 1/2 | 1/2 | 1/2 | 1/2 | 1/2 | 1/2 | 1/2 | 1/2 | 1/4 | 1/8                 | Follows size of 1+2 | 1/4 | 1/4 |
|                 | 200 |  |     |     |     |     |     |     | 1/2 | 1/2 | 1/2 | 1/2 | 1/2 | 1/2 | 1/2 | 1/2 | 1/4 | 1/8                 | Follows size of 1+2 | 1/4 | 1/4 |
|                 | 250 |  |     |     |     |     |     |     |     |     |     | 1/2 | 1/2 | 1/2 | 1/2 | 1/2 | 1/4 | 1/8                 | Follows size of 1+2 | 1/4 | 1/4 |
| 300             |     |  |     |     |     |     |     |     | 1/2 | 1/2 | 1/2 | 1/2 | 1/2 |     |     | 1/4 | 1/8 | Follows size of 1+2 | 1/4                 | 1/4 |     |
| 350             |     |  |     |     |     |     |     |     |     |     |     | 1/2 |     |     |     | 1/4 | 1/8 | Follows size of 1+2 | 1/4                 | 1/4 |     |

## Pump nameplate



TM083031

---

### Nameplate

76: Nameplate (72 x 50 mm)

76a: 2 x Rivet

---

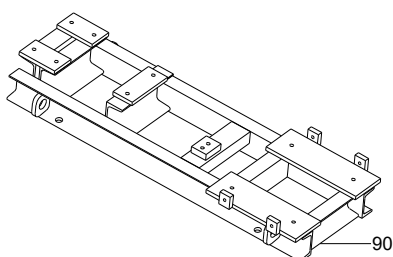
When you require to replace a nameplate, take a picture of the existing one and send this to Grundfos.

Based on this, it is normally possible to print a new copy.

If the pump holds certain approvals, it may be a mandatory requirement to ship the complete unit back to Grundfos to check the pump, and to print and install a new nameplate in Grundfos facilities. This is to maintain the approval. Therefore, information of the installed pump is needed.

## Spare - Base frame, spacer coupling

### Spacer coupling



TM084774

#### Spare - Base frame, standard coupling

90: Base frame, spacer coupling

**Step 1: Find the motor frame size. Use the Section 3.18 Motors - Relation between P2 (power), pole and frame size for different motor brands.**

**Step 2: Use the pump size and the motor frame size to find the base frame code.**

| Pump size   | Motor frame size |           |           |           |           |           |         |           |         |           |           |           |  |
|-------------|------------------|-----------|-----------|-----------|-----------|-----------|---------|-----------|---------|-----------|-----------|-----------|--|
|             | 71M              | 80M       | 90S       | 90L       | 100L      | 112M-2,6  | 112M-4  | 132S      | 132M    | 160M      | 160L      | 180M      |  |
| 32-130.1-2P |                  | 112Aa02   | 112Aa03   | 112Aa04   | 112Aa05   | 112Aa06   |         | 112Aa08   |         |           |           |           |  |
| 32-130.1-4P | 112Aa01          | 112Aa02   |           |           |           |           |         |           |         |           |           |           |  |
| 32-130-2P   |                  | 112Aa02   | 112Aa03   | 112Aa04   | 112Aa05   | 112Aa06   |         | 112Aa08   |         |           |           |           |  |
| 32-130-4P   | 112Aa01          | 112Aa02   |           |           |           |           |         |           |         |           |           |           |  |
| 32-165.1-2P |                  |           | 132Cb03   | 132Cb04-1 | 132Cb05-1 | 132Cb06-1 |         | 132Cb08-1 |         |           |           |           |  |
| 32-165.1-4P | 132Ca01-1        | 132Ca02-1 |           |           |           |           |         |           |         |           |           |           |  |
| 32-180-2P   |                  |           | 132Ca03   | 132Ca04   | 132Ca05   | 132Ca06   |         | 132Ca08   |         | 132Ca10   |           |           |  |
| 32-180-4P   | 132Ca01          | 132Ca02   | 132Ca03   |           |           |           |         |           |         |           |           |           |  |
| 32-205.1-2P |                  |           |           |           | 160Cb05   | 160Cb06   |         | 160Cb08   |         | 160Cb10   |           |           |  |
| 32-205.1-4P | 160Ca01          | 160Ca02   | 160Ca03   | 160Ca04   | 160Ca05   |           |         |           |         |           |           |           |  |
| 40-130-2P   |                  |           | 112Bb03   | 112Bb04   | 112Bb05   | 112Bb06   |         | 112Bb08   |         | 112Bb10   |           |           |  |
| 40-130-4P   | 112Ba01          | 112Ba02   | 112Ba03   | 112Ba04   |           |           |         |           |         |           |           |           |  |
| 40-180-2P   |                  |           |           | 132Cb04   | 132Cb05   | 132Cb06   |         | 132Cb08   |         | 132Cb10   |           |           |  |
| 40-180-4P   | 132Ca01          | 132Ca02   | 132Ca03   | 132Ca04   | 132Ca05   |           |         |           |         |           |           |           |  |
| 40-220-2P   |                  |           |           |           |           |           |         | 180Ed08   |         | 180Ed10   | 180Ed11   | 180Ed12   |  |
| 40-220-4P   |                  | 180Eb02   | 180Eb03   | 180Eb04   | 180Eb05   |           | 180Eb07 |           |         |           |           |           |  |
| 40-225-2P   |                  |           |           |           |           |           |         | 180Ed08   |         | 180Ed10   | 180Ed11   | 180Ed12   |  |
| 40-225-4P   |                  | 180Eb02   | 180Eb03   | 180Eb04   | 180Eb05   |           | 180Eb07 | 180Eb08   |         |           |           |           |  |
| 50-130-2P   |                  |           |           |           | 132Cb05-1 | 132Cb06-1 |         | 132Cb08-1 |         | 132Cb10-1 |           |           |  |
| 50-130-4P   | 132Ca01-1        | 132Ca02-1 | 132Ca03-1 | 132Ca04-1 | 132Ca05-1 |           |         |           |         |           |           |           |  |
| 50-225-2P   |                  |           |           |           |           |           |         | 180Ee08   |         | 180Ee10   | 180Ee11   | 180Ee12   |  |
| 50-225-4P   |                  | 180Eb02   | 180Eb03   | 180Eb04   | 180Eb05   |           | 180Eb07 | 180Eb08   |         |           |           |           |  |
| 50-280-2P   |                  |           |           |           |           |           |         |           |         | 180Ee10   | 180Ee11   | 180Ee12   |  |
| 50-280-4P   |                  |           |           |           | 180Eb05   |           | 180Eb07 | 180Eb08   | 180Eb09 | 180Eb10   |           |           |  |
| 50-350      |                  |           |           |           | 225Fg05   |           | 225Fg07 | 225Fg08   | 225Fg09 | 225Fg10   | 225Fg11   | 225Fg12   |  |
| 65-130-2P   |                  |           |           |           |           | 160Db06-1 |         | 160Db08-1 |         | 160Db10-1 | 160Db11-1 | 160Db12-1 |  |
| 65-130-4P   |                  | 160Da02-1 | 160Da03-1 | 160Da04-1 | 160Da05-1 |           |         |           |         |           |           |           |  |
| 65-180-2P   |                  |           |           |           | 160Db05   | 160Db06   |         | 160Db08   |         | 160Db10   | 160Db11   | 160Db12   |  |
| 65-180-4P   |                  | 160Da02   | 160Da03   | 160Da04   | 160Da05   |           |         |           |         |           |           |           |  |
| 65-225-2P   |                  |           |           |           |           |           |         |           |         | 200Fe10   | 200Fe11   | 200Fe12   |  |
| 65-225-4P   |                  | 200Fb02   | 200Fb03   | 200Fb04   | 200Fb05   | 200Fb06   | 200Fb07 | 200Fb08   | 200Fb09 |           |           |           |  |
| 65-280      |                  |           | 200Fg03   | 200Fg04   | 200Fg05   | 200Fg06   | 200Fg07 | 200Fg08   | 200Fg09 | 200Fg10   |           |           |  |
| 80-180-2P   |                  |           |           |           |           | 160Db06   |         | 160Db08   |         | 160Db10   | 160Db11   | 160Db12   |  |
| 80-180-4P   |                  | 160Da02   | 160Da03   | 160Da04   | 160Da05   |           | 160Da07 |           |         |           |           |           |  |
| 80-225-2P   |                  |           |           |           |           |           |         |           |         | 200Gf11   | 200Gf12   |           |  |

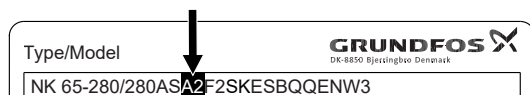
| Pump size  | Motor frame size |         |         |         |         |          |         |         |         |         |         |         |         |
|------------|------------------|---------|---------|---------|---------|----------|---------|---------|---------|---------|---------|---------|---------|
|            | 71M              | 80M     | 90S     | 90L     | 100L    | 112M-2,6 | 112M-4  | 132S    | 132M    | 160M    | 160L    | 180M    |         |
| 80-225-4P  |                  |         | 200Gc03 | 200Gc04 | 200Gc05 | 200Gc06  | 200Gc07 | 200Gc08 | 200Gc09 | 200Gc10 |         |         |         |
| 80-280     |                  |         |         | 200Gg04 | 200Gg05 | 200Gg06  | 200Gg07 | 200Gg08 | 200Gg09 | 200Gg10 | 200Gg11 |         |         |
| 80-350     |                  |         |         |         |         | 250Gg06  |         | 250Gg08 | 250Gg09 | 250Gg10 | 250Gg11 | 250Gg12 |         |
| 100-180-2P |                  |         |         |         |         |          |         | 180Fb08 |         | 180Fb10 | 180Fb11 | 180Fb12 |         |
| 100-180-4P |                  | 180Fb02 | 180Fb03 | 180Fb04 | 180Fb05 |          | 180Fb07 | 180Fb08 |         |         |         |         |         |
| 100-225-2P |                  |         |         |         |         |          |         |         |         |         |         |         | 225Gf12 |
| 100-225-4P |                  |         |         | 225Gc04 | 225Gc05 | 225Gc06  | 225Gc07 | 225Gc08 | 225Gc09 | 225Gc10 | 225Gc11 |         |         |
| 100-280    |                  |         |         |         | 225Gg05 | 225Gg06  |         | 225Gg08 | 225Gg09 | 225Gg10 | 225Gg11 | 225Gg12 |         |
| 100-350    |                  |         |         |         |         | 250Gg06  |         | 250Gg08 | 250Gg09 | 250Gg10 | 250Gg11 | 250Gg12 |         |
| 100-380    |                  |         |         |         |         |          |         |         | 280Hi09 | 280Hi10 | 280Hi11 |         |         |
| 125-180-2P |                  |         |         |         |         |          |         |         |         | 200Fb10 | 200Fb11 | 200Fb12 |         |
| 125-180-4P |                  | 200Fb02 | 200Fb03 | 200Fb04 | 200Fb05 | 200Fb06  | 200Fb07 | 200Fb08 | 200Fb09 |         |         |         |         |
| 125-225    |                  |         |         |         | 250Gf05 | 250Gf06  |         | 250Gf08 | 250Gf09 | 250Gf10 | 250Gf11 | 250Gf12 |         |
| 125-280    |                  |         |         |         |         | 250Gg06  |         | 250Gg08 | 250Gg09 | 250Gg10 | 250Gg11 | 250Gg12 |         |
| 125-350    |                  |         |         |         |         |          |         |         | 280Hi09 | 280Hi10 | 280Hi11 | 280Hi12 |         |
| 125-380    |                  |         |         |         |         |          |         |         |         |         |         |         | 315Hi11 |
| 150-225    |                  |         |         |         |         | 280Hf06  |         | 280Hf08 | 280Hf09 | 280Hf10 | 280Hf11 | 280Hf12 |         |
| 150-280    |                  |         |         |         |         |          |         | 280Hi08 | 280Hi09 | 280Hi10 | 280Hi11 | 280Hi12 |         |
| 150-300    |                  |         |         |         |         |          |         |         |         | 280Lj10 | 280Lj11 |         |         |
| 150-350    |                  |         |         |         |         |          |         |         | 280Li09 | 280Li10 | 280Li11 | 280Li12 |         |
| 150-380    |                  |         |         |         |         |          |         |         |         |         |         |         |         |
| 200-300    |                  |         |         |         |         |          |         |         |         |         |         |         | 350Mq11 |
| 200-350    |                  |         |         |         |         |          |         |         | 350Mi09 | 350Mi10 | 350Mi11 |         |         |
| 200-380    |                  |         |         |         |         |          |         |         |         |         |         |         |         |
| 200-500    |                  |         |         |         |         |          |         |         |         |         |         |         |         |
| 250-315    |                  |         |         |         |         |          |         |         |         | 400Ms10 | 400Ms11 |         |         |
| 250-360    |                  |         |         |         |         |          |         |         |         |         |         | 450Mn11 |         |
| 250-380    |                  |         |         |         |         |          |         |         |         |         |         |         |         |
| 300-300    |                  |         |         |         |         |          |         |         |         |         |         |         | 510N11p |
| 300-310    |                  |         |         |         |         |          |         |         |         |         |         |         |         |
| 300-350    |                  |         |         |         |         |          |         |         |         |         |         |         |         |
| 300-400    |                  |         |         |         |         |          |         |         |         |         |         |         |         |
| 350-350    |                  |         |         |         |         |          |         |         |         |         |         |         |         |



| Pump size   | Motor frame size |         |         |         |         |         |         |         |      |      |      |      |      |
|-------------|------------------|---------|---------|---------|---------|---------|---------|---------|------|------|------|------|------|
|             | 180L             | 200L    | 225S    | 225M    | 250M    | 280S    | 280M    | 315S    | 315M | 315L | 355M | 355L | 355X |
| 32-130.1-2P |                  |         |         |         |         |         |         |         |      |      |      |      |      |
| 32-130.1-4P |                  |         |         |         |         |         |         |         |      |      |      |      |      |
| 32-130-2P   |                  |         |         |         |         |         |         |         |      |      |      |      |      |
| 32-130-4P   |                  |         |         |         |         |         |         |         |      |      |      |      |      |
| 32-165.1-2P |                  |         |         |         |         |         |         |         |      |      |      |      |      |
| 32-165.1-4P |                  |         |         |         |         |         |         |         |      |      |      |      |      |
| 32-180-2P   |                  |         |         |         |         |         |         |         |      |      |      |      |      |
| 32-180-4P   |                  |         |         |         |         |         |         |         |      |      |      |      |      |
| 32-205.1-2P |                  |         |         |         |         |         |         |         |      |      |      |      |      |
| 32-205.1-4P |                  |         |         |         |         |         |         |         |      |      |      |      |      |
| 40-130-2P   |                  |         |         |         |         |         |         |         |      |      |      |      |      |
| 40-130-4P   |                  |         |         |         |         |         |         |         |      |      |      |      |      |
| 40-180-2P   |                  |         |         |         |         |         |         |         |      |      |      |      |      |
| 40-180-4P   |                  |         |         |         |         |         |         |         |      |      |      |      |      |
| 40-220-2P   |                  | 180Ed14 |         |         |         |         |         |         |      |      |      |      |      |
| 40-220-4P   |                  |         |         |         |         |         |         |         |      |      |      |      |      |
| 40-225-2P   |                  | 180Ed14 |         |         |         |         |         |         |      |      |      |      |      |
| 40-225-4P   |                  |         |         |         |         |         |         |         |      |      |      |      |      |
| 50-130-2P   |                  |         |         |         |         |         |         |         |      |      |      |      |      |
| 50-130-4P   |                  |         |         |         |         |         |         |         |      |      |      |      |      |
| 50-225-2P   |                  | 180Ee14 | 180Ee16 |         |         |         |         |         |      |      |      |      |      |
| 50-225-4P   |                  |         |         |         |         |         |         |         |      |      |      |      |      |
| 50-280-2P   |                  | 180Ee14 | 180Ee16 | 180Ee17 | 180Ee18 |         |         |         |      |      |      |      |      |
| 50-280-4P   |                  |         |         |         |         |         |         |         |      |      |      |      |      |
| 50-350      |                  |         |         |         |         |         |         |         |      |      |      |      |      |
| 65-130-2P   |                  |         |         |         |         |         |         |         |      |      |      |      |      |
| 65-130-4P   |                  |         |         |         |         |         |         |         |      |      |      |      |      |
| 65-180-2P   |                  |         |         |         |         |         |         |         |      |      |      |      |      |
| 65-180-4P   |                  |         |         |         |         |         |         |         |      |      |      |      |      |
| 65-225-2P   |                  | 200Fe14 | 200Fh16 | 200Fh17 |         |         |         |         |      |      |      |      |      |
| 65-225-4P   |                  |         |         |         |         |         |         |         |      |      |      |      |      |
| 65-280      |                  |         |         |         |         |         |         |         |      |      |      |      |      |
| 80-180-2P   |                  | 160Db14 |         |         |         |         |         |         |      |      |      |      |      |
| 80-180-4P   |                  |         |         |         |         |         |         |         |      |      |      |      |      |
| 80-225-2P   |                  | 200Gf14 | 200Gf16 | 200Gf17 | 200Gf18 | 200Gf19 |         |         |      |      |      |      |      |
| 80-225-4P   |                  |         |         |         |         |         |         |         |      |      |      |      |      |
| 80-280      |                  |         |         |         |         |         |         |         |      |      |      |      |      |
| 80-350      | 250Gg13          | 250Gg14 |         |         |         |         |         |         |      |      |      |      |      |
| 100-180-2P  |                  | 180Fd14 |         |         |         |         |         |         |      |      |      |      |      |
| 100-180-4P  |                  |         |         |         |         |         |         |         |      |      |      |      |      |
| 100-225-2P  |                  | 225Gf14 | 225Gf16 | 225Gf17 | 225Gf18 | 225Gf19 |         |         |      |      |      |      |      |
| 100-225-4P  |                  |         |         |         |         |         |         |         |      |      |      |      |      |
| 100-280     | 225Gg13          |         |         |         |         |         |         |         |      |      |      |      |      |
| 100-350     | 250Gg13          | 250Gg14 | 250Gg15 |         |         |         |         |         |      |      |      |      |      |
| 100-380     | 280Hi13          | 280Hi14 | 280Hi15 | 280Hi16 | 280Hi17 | 280Hi18 | 280Hi19 | 280Hi20 |      |      |      |      |      |
| 125-180-2P  |                  | 200Fb14 | 200Fb16 | 200Fb17 |         |         |         |         |      |      |      |      |      |
| 125-180-4P  |                  |         |         |         |         |         |         |         |      |      |      |      |      |
| 125-225     | 250Gf13          |         |         |         |         |         |         |         |      |      |      |      |      |
| 125-280     | 250Gg13          | 250Gg14 |         |         |         |         |         |         |      |      |      |      |      |
| 125-350     | 280Hi13          | 280Hi14 | 280Hi15 | 280Hi16 | 280Hi17 |         |         |         |      |      |      |      |      |
| 125-380     | 315Hi13          | 315Hi14 | 315Hi15 | 315Hi16 | 315Hi17 | 315Hi18 | 315Hi19 | 315Hi20 |      |      |      |      |      |
| 150-225     | 280Hf13          | 280Hf14 |         |         |         |         |         |         |      |      |      |      |      |

| Pump size | Motor frame size |         |         |         |         |         |         |         |         |         |         |         |         |
|-----------|------------------|---------|---------|---------|---------|---------|---------|---------|---------|---------|---------|---------|---------|
|           | 180L             | 200L    | 225S    | 225M    | 250M    | 280S    | 280M    | 315S    | 315M    | 315L    | 355M    | 355L    | 355X    |
| 150-280   | 280Hi13          | 280Hi14 | 280Hi15 | 280Hi16 |         |         |         |         |         |         |         |         |         |
| 150-300   | 280Lj13          | 280Lj14 | 280Lj15 | 280Lj16 | 280Lj17 |         |         |         |         |         |         |         |         |
| 150-350   | 280Li13          | 280Li14 | 280Li15 | 280Li16 | 280Li17 | 280Li18 | 280Li19 |         |         |         |         |         |         |
| 150-380   | 315Lk13          | 315Lk14 | 315Lk16 |         | 315Lk17 | 315Lk18 | 315Lk19 | 315Lk20 | 315Lk22 | 315Lk22 |         |         |         |
| 200-300   | 350Mq13          | 350Mq14 | 350Mq15 | 350Mq16 | 350Mq17 | 350Mq18 |         |         |         |         |         |         |         |
| 200-350   | 350Mi13          | 350Mi14 | 350Mi15 | 350Mi16 | 350Mi17 | 350Mi18 | 350Mi19 | 350Mi20 | 350Mi22 | 350Mi22 |         |         |         |
| 200-380   | 400M13k          | 400M14k | 400M16k |         | 400M17k | 400M18k | 400M19k | 400M20k | 400M22k | 400M22k |         |         |         |
| 200-500   |                  |         |         | 400Mk17 | 400Mk18 | 400Mk19 | 400Mk20 | 400Mk22 | 400Mk22 | 400Mk24 | 400Mk24 | 400Mk25 |         |
| 250-315   | 400Ms13          | 400Ms14 | 400Ms15 | 400Ms16 | 400Ms17 | 400Ms18 | 400Ms19 |         |         |         |         |         |         |
| 250-360   | 450Mn13          | 450Mn14 | 450Mn15 | 450Mn16 | 450Mn17 | 450Mn18 | 450Mn19 | 450Mn20 | 450Mn22 | 450Mn22 |         |         |         |
| 250-380   | 450Mm14          |         | 450Mm16 |         | 450Mm17 | 450Mm18 | 450Mm19 | 450Mm20 | 450Mm22 | 450Mm22 |         |         |         |
| 300-300   | 510N13p          | 510N14p | 510N16p |         | 510N17p | 510N18p | 510N19p | 510N20p | 510N22p | 510Np22 |         |         |         |
| 300-310   | 510Np13          | 510Np14 | 510Np16 |         | 510Np17 | 510Np18 | 510Np19 | 510Np20 | 510Np22 | 510Np22 |         |         |         |
| 300-350   |                  |         |         | 450Ms16 | 450Ms17 | 450Ms18 | 450Ms19 | 450Ms20 | 450Ms22 | 450Ms22 | 450Ms24 | 450Ms24 |         |
| 300-400   |                  |         |         |         |         |         | 450Kr19 | 450Kr20 | 450Kr22 | 450Kr22 | 450Kr24 | 450Kr24 | 450Kr25 |
| 350-350   |                  |         |         | 560Jl16 | 560Jl17 | 560Jl18 | 560Jl19 | 560Jl20 | 560Jl22 | 560Jl22 |         |         |         |

**Step 3: Use the base frame code and the pump version code to find the needed base frame.**



*Pump version code*

| Base frame code          | Pump versions |          |                |          |
|--------------------------|---------------|----------|----------------|----------|
|                          | A2, I2        |          | G2, H2, J2, K2 |          |
|                          | BF code       | Spare PN | BF code        | Spare PN |
| 112Aa01                  | 200S          | 92837720 |                |          |
| 112Aa02                  | 201S          | 92837721 |                |          |
| 112Aa03                  | 202S          | 92837722 |                |          |
| 112Aa04                  | 203S          | 92837723 |                |          |
| 112Aa05                  | 204S          | 92837724 |                |          |
| 112Aa06                  | 205S          | 92837725 |                |          |
| 112Aa08                  | 206S          | 92837726 |                |          |
| 132Ca01                  | 207S          | 92837727 |                |          |
| 132Ca01-1                |               |          |                |          |
| 132Ca02                  | 208S          | 92837728 |                |          |
| 132Ca02-1                |               |          |                |          |
| 132Ca03                  | 209S          | 92837729 |                |          |
| 132Ca03-1                |               |          |                |          |
| 132Cb03                  | 210S          | 92837730 |                |          |
| 132Cb04                  | 211S          | 92837731 |                |          |
| 132Cb04-1                |               |          |                |          |
| 132Cb05                  | 212S          | 92837732 |                |          |
| 132Cb05-1                |               |          |                |          |
| 132Cb06                  | 213S          | 92837733 |                |          |
| 132Cb06-1                |               |          |                |          |
| 132Cb08                  | 214S          | 92837734 |                |          |
| 132Cb08-1                |               |          |                |          |
| 132Ca04,                 | 215S          | 92837735 |                |          |
| 132Ca04-1                |               |          |                |          |
| 132Ca05                  | 216S          | 92837736 |                |          |
| 132Ca05-1 <sup>10)</sup> |               |          |                |          |
| 132Ca06                  | 217S          | 92837737 |                |          |
| 132Ca08                  | 218S          | 92837738 |                |          |

| Base frame code        | Pump versions |          |                |          |
|------------------------|---------------|----------|----------------|----------|
|                        | A2, I2        |          | G2, H2, J2, K2 |          |
|                        | BF code       | Spare PN | BF code        | Spare PN |
| 160Ca01                | 219S          | 92837740 |                |          |
| 160Ca02                | 220S          | 92837741 |                |          |
| 160Ca03                | 221S          | 92837742 |                |          |
| 160Ca04                | 222S          | 92837743 |                |          |
| 160Cb05                | 223S          | 92837744 |                |          |
| 160Cb06                | 224S          | 92837745 |                |          |
| 160Cb08                | 225S          | 92837746 |                |          |
| 160Cb10                | 226S          | 92837747 |                |          |
| 112Ba01                | 227S          | 92837748 |                |          |
| 112Ba02                | 228S          | 92837749 |                |          |
| 112Ba03                | 229S          | 92837750 |                |          |
| 112Bb03                | 230S          | 92837751 |                |          |
| 112Bb04                | 231S          | 92837752 |                |          |
| 112Bb05                | 232S          | 92837753 |                |          |
| 112Bb06                | 233S          | 92837754 |                |          |
| 112Bb08                | 234S          | 92837755 |                |          |
| 112Bb10 <sup>10)</sup> | 235S          | 92837756 |                |          |
| 132Cb10                | 236S          | 92837757 |                |          |
| 132Cb10-1              |               |          |                |          |
| 180Eb02                | 237S          | 92837758 |                |          |
| 180Eb03                | 238S          | 92837759 |                |          |
| 180Eb04                | 239S          | 92837760 |                |          |
| 180Eb05                | 240S          | 92837761 |                |          |
| 180Eb07                | 241S          | 92837762 |                |          |
| 180Eb08                | 242S          | 92837768 |                |          |
| 180Ed08                |               |          | 243S           | 92837763 |

| Base frame code                     | Pump versions |          |                |          |
|-------------------------------------|---------------|----------|----------------|----------|
|                                     | A2, I2        |          | G2, H2, J2, K2 |          |
|                                     | BF code       | Spare PN | BF code        | Spare PN |
| 180Ed10                             |               |          | 244S           | 92837764 |
| 180Ed11                             |               |          | 245S           | 92837765 |
| 180Ed12                             |               |          | 246S           | 92837766 |
| 180Ed14                             |               |          | 247S           | 92837767 |
| 180Ee08                             | 248S          | 92837769 |                |          |
| 180Ee10                             | 249S          | 92837770 |                |          |
| 180Ee11                             | 250S          | 92837771 |                |          |
| 180Ee12                             | 251S          | 92837772 |                |          |
| 180Ee14                             | 252S          | 92837773 |                |          |
| 180Ee16                             | 253S          | 92837774 |                |          |
| 180Eb09                             | 254S          | 92837775 |                |          |
| 180Eb10                             | 255S          | 92837776 |                |          |
| 180Ee17                             | 256S          | 92837777 |                |          |
| 180Ee18                             | 257S          | 92837778 |                |          |
| 225Fg05                             | 258S          | 92837779 |                |          |
| 225Fg07                             | 259S          | 92837780 |                |          |
| 225Fg08                             | 260S          | 92837781 |                |          |
| 225Fg09                             | 261S          | 92837782 |                |          |
| 225Fg10                             | 262S          | 92837783 |                |          |
| 225Fg11                             | 263S          | 92837784 |                |          |
| 225Fg12                             | 264S          | 92837785 |                |          |
| 160Da02<br>160Da02-1                | 265S          | 92837786 |                |          |
| 160Da03<br>160Da03-1                | 266S          | 92837787 |                |          |
| 160Da04<br>160Da04-1                | 267S          | 92837788 |                |          |
| 160Da05<br>160Da05-1                | 268S          | 92837789 |                |          |
| 160Db06<br>160Db06-1                | 269S          | 92837790 |                |          |
| 160Db08<br>160Db08-1                | 270S          | 92837791 |                |          |
| 160Db10<br>160Db10-1                | 271S          | 92837792 |                |          |
| 160Db11<br>160Db11-1                | 272S          | 92837793 |                |          |
| 160Da07                             | 273S          | 92837821 |                |          |
| 160Db05                             | 274S          | 92837794 |                |          |
| 160Db12<br>160Db12-1 <sup>10)</sup> | 275S          | 92837795 |                |          |
| 200Fb02                             | 276S          | 92837796 |                |          |
| 200Fb03                             | 277S          | 92837797 |                |          |
| 200Fb04                             | 278S          | 92837798 |                |          |
| 200Fb05                             | 279S          | 92837799 |                |          |
| 200Fb06                             | 280S          | 92837800 |                |          |
| 200Fb07                             | 281S          | 92837801 |                |          |
| 200Fb08                             | 282S          | 92837802 |                |          |
| 200Fb09                             | 283S          | 92837803 |                |          |
| 200Fe10                             | 284S          | 92837804 |                |          |
| 200Fe11                             | 285S          | 92837805 | 288S           | 92837808 |
| 200Fe12                             | 286S          | 92837806 | 289S           | 92837809 |
| 200Fe14                             | 287S          | 92837807 | 290S           | 92837810 |
| 200Fh16                             | /             | /        | 291S           | 92837811 |

| Base frame code | Pump versions |          |                |          |
|-----------------|---------------|----------|----------------|----------|
|                 | A2, I2        |          | G2, H2, J2, K2 |          |
|                 | BF code       | Spare PN | BF code        | Spare PN |
| 200Fh17         | /             | /        | 292S           | 92837812 |
| 200Fg03         | 293S          | 92837813 |                |          |
| 200Fg04         | 294S          | 92837814 |                |          |
| 200Fg05         | 295S          | 92837815 |                |          |
| 200Fg06         | 296S          | 92837816 |                |          |
| 200Fg07         | 297S          | 92837817 |                |          |
| 200Fg08         | 298S          | 92837818 |                |          |
| 200Fg09         | 299S          | 92837819 |                |          |
| 200Fg10         | 300S          | 92837820 |                |          |
| 160Db14         | 301S          | 92837822 |                |          |
| 200Gc03         | 302S          | 92837823 |                |          |
| 200Gc04         | 303S          | 92837824 |                |          |
| 200Gc05         | 304S          | 92837825 |                |          |
| 200Gc06         | 305S          | 92837826 |                |          |
| 200Gc07         | 306S          | 92837827 |                |          |
| 200Gc08         | 307S          | 92837828 |                |          |
| 200Gc09         | 308S          | 92837829 |                |          |
| 200Gc10         | 309S          | 92837830 |                |          |
| 200Gf11         | 310S          | 92837831 |                |          |
| 200Gf12         | 311S          | 92837832 |                |          |
| 200Gf14         | 312S          | 92837833 |                |          |
| 200Gf16         | 313S          | 92837834 |                |          |
| 200Gf17         | 314S          | 92837835 |                |          |
| 200Gf18         | 315S          | 92837836 |                |          |
| 200Gf19         | 316S          | 92837837 |                |          |
| 200Gg04         | 317S          | 92837838 |                |          |
| 200Gg05         | 318S          | 92837839 |                |          |
| 200Gg06         | 319S          | 92837840 |                |          |
| 200Gg07         | 320S          | 92837841 |                |          |
| 200Gg08         | 321S          | 92837842 |                |          |
| 200Gg09         | 322S          | 92837843 |                |          |
| 200Gg10         | 323S          | 92837844 |                |          |
| 200Gg11         | 324S          | 92837845 |                |          |
| 250Gg06         | 325S          | 92837846 |                |          |
| 250Gg08         | 326S          | 92837847 |                |          |
| 250Gg09         | 327S          | 92837848 |                |          |
| 250Gg10         | 328S          | 92837849 |                |          |
| 250Gg11         | 329S          | 92837850 |                |          |
| 250Gg12         | 330S          | 92837851 |                |          |
| 250Gg13         | 331S          | 92837852 |                |          |
| 250Gg14         | 332S          | 92837853 |                |          |
| 180Fb02         | 333S          | 92837854 |                |          |
| 180Fb03         | 334S          | 92837856 |                |          |
| 180Fb04         | 335S          | 92837857 |                |          |
| 180Fb05         | 336S          | 92837858 |                |          |
| 180Fb07         | 337S          | 92837859 |                |          |
| 180Fb08         | 338S          | 92837860 |                |          |
| 180Fb10         | 339S          | 92837861 | 342S           | 92837864 |
| 180Fb11         | 340S          | 92837862 | 343S           | 92837865 |
| 180Fb12         | 341S          | 92837863 | 344S           | 92837866 |
| 180Fd14         |               |          | 345S           | 92837867 |
| 225Gc04         | 346S          | 92837868 |                |          |
| 225Gc05         | 347S          | 92837869 |                |          |

| Base frame code | Pump versions |                          |                |          |
|-----------------|---------------|--------------------------|----------------|----------|
|                 | A2, I2        |                          | G2, H2, J2, K2 |          |
|                 | BF code       | Spare PN                 | BF code        | Spare PN |
| 225Gc06         | 348S          | <a href="#">92837870</a> |                |          |
| 225Gc07         | 349S          | <a href="#">92837871</a> |                |          |
| 225Gc08         | 350S          | <a href="#">92837872</a> |                |          |
| 225Gc09         | 351S          | <a href="#">92837873</a> |                |          |
| 225Gc10         | 352S          | <a href="#">92837874</a> |                |          |
| 225Gc11         | 353S          | <a href="#">92837875</a> |                |          |
| 225Gf12         | 354S          | <a href="#">92837876</a> |                |          |
| 225Gf14         | 355S          | <a href="#">92837877</a> |                |          |
| 225Gf16         | 356S          | <a href="#">92837878</a> |                |          |
| 225Gf17         | 357S          | <a href="#">92837879</a> |                |          |
| 225Gf18         | 358S          | <a href="#">92837880</a> |                |          |
| 225Gf19         | 359S          | <a href="#">92837881</a> |                |          |
| 225Gg05         | 360S          | <a href="#">92837882</a> |                |          |
| 225Gg06         | 361S          | <a href="#">92837883</a> |                |          |
| 225Gg08         | 362S          | <a href="#">92837884</a> |                |          |
| 225Gg09         | 363S          | <a href="#">92837885</a> |                |          |
| 225Gg10         | 364S          | <a href="#">92837886</a> |                |          |
| 225Gg11         | 365S          | <a href="#">92837887</a> |                |          |
| 225Gg12         | 366S          | <a href="#">92837888</a> |                |          |
| 225Gg13         | 367S          | <a href="#">92837889</a> |                |          |
| 250Gg15         | 368S          | <a href="#">92837890</a> |                |          |
| 280Hi09         | 369S          | <a href="#">92837891</a> |                |          |
| 280Hi10         | 370S          | <a href="#">92837892</a> |                |          |
| 280Hi11         | 371S          | <a href="#">92837893</a> |                |          |
| 280Hi13         | 372S          | <a href="#">92837894</a> |                |          |
| 280Hi14         | 373S          | <a href="#">92837895</a> |                |          |
| 280Hi15         | 374S          | <a href="#">92837896</a> |                |          |
| 280Hi16         | 375S          | <a href="#">92837897</a> |                |          |
| 280Hi17         | 376S          | <a href="#">92837898</a> |                |          |
| 280Hi18         | 377S          | <a href="#">92837899</a> |                |          |
| 280Hi19         | 378S          | <a href="#">92837900</a> |                |          |
| 280Hi20         | 379S          | <a href="#">92837901</a> |                |          |
| 200Fb10         | 380S          | <a href="#">92837902</a> |                |          |
| 200Fb11         | 381S          | <a href="#">92837903</a> |                |          |
| 200Fb12         | 382S          | <a href="#">92837904</a> |                |          |
| 200Fb14         | 383S          | <a href="#">92837905</a> |                |          |
| 200Fb16         | 384S          | <a href="#">92837906</a> |                |          |
| 200Fb17         | 385S          | <a href="#">92837907</a> |                |          |
| 250Gf05         | 386S          | <a href="#">92837908</a> |                |          |
| 250Gf06         | 387S          | <a href="#">92837909</a> |                |          |
| 250Gf08         | 388S          | <a href="#">92837910</a> |                |          |
| 250Gf09         | 389S          | <a href="#">92837911</a> |                |          |
| 250Gf10         | 390S          | <a href="#">92837912</a> |                |          |
| 250Gf11         | 391S          | <a href="#">92837913</a> |                |          |
| 250Gf12         | 392S          | <a href="#">92837914</a> |                |          |
| 250Gf13         | 393S          | <a href="#">92837915</a> |                |          |
| 280Hi12         | 394S          | <a href="#">92837916</a> |                |          |
| 315Hi11         | 395S          | <a href="#">92837917</a> |                |          |
| 315Hi13         | 396S          | <a href="#">92837918</a> |                |          |
| 315Hi14         | 397S          | <a href="#">92837919</a> |                |          |
| 315Hi15         | 398S          | <a href="#">92837920</a> |                |          |
| 315Hi16         | 399S          | <a href="#">92837921</a> |                |          |
| 315Hi17         | 400S          | <a href="#">92837922</a> |                |          |

| Base frame code | Pump versions |                          |                |          |
|-----------------|---------------|--------------------------|----------------|----------|
|                 | A2, I2        |                          | G2, H2, J2, K2 |          |
|                 | BF code       | Spare PN                 | BF code        | Spare PN |
| 315Hi18         | 401S          | <a href="#">92837923</a> |                |          |
| 315Hi19         | 402S          | <a href="#">92837924</a> |                |          |
| 315Hi20         | 403S          | <a href="#">92837925</a> |                |          |
| 280Hf06         | 404S          | <a href="#">92837926</a> |                |          |
| 280Hf08         | 405S          | <a href="#">92837927</a> |                |          |
| 280Hf09         | 406S          | <a href="#">92837928</a> |                |          |
| 280Hf10         | 407S          | <a href="#">92837929</a> |                |          |
| 280Hf11         | 408S          | <a href="#">92837930</a> |                |          |
| 280Hf12         | 409S          | <a href="#">92837931</a> |                |          |
| 280Hf13         | 410S          | <a href="#">92837932</a> |                |          |
| 280Hf14         | 411S          | <a href="#">92837933</a> |                |          |
| 280Hi08         | 412S          | <a href="#">92837934</a> |                |          |
| 280Li09         | 413S          | <a href="#">92837935</a> |                |          |
| 280Li10         | 414S          | <a href="#">92837936</a> |                |          |
| 280Li11         | 415S          | <a href="#">92837937</a> |                |          |
| 280Li12         | 416S          | <a href="#">92837938</a> |                |          |
| 280Li13         | 417S          | <a href="#">92837939</a> |                |          |
| 280Li14         | 418S          | <a href="#">92837940</a> |                |          |
| 280Li15         | 419S          | <a href="#">92837941</a> |                |          |
| 280Li16         | 420S          | <a href="#">92837942</a> |                |          |
| 280Li17         | 421S          | <a href="#">92837943</a> |                |          |
| 280Li18         | 422S          | <a href="#">92837944</a> |                |          |
| 280Li19         | 423S          | <a href="#">92837946</a> |                |          |
| 315Lk13         | 424S          | <a href="#">92837947</a> |                |          |
| 315Lk14         | 425S          | <a href="#">92837948</a> |                |          |
| 315Lk16         | 426S          | <a href="#">92837949</a> |                |          |
| 315Lk17         | 427S          | <a href="#">92837950</a> |                |          |
| 315Lk18         | 428S          | <a href="#">92837951</a> |                |          |
| 315Lk19         | 429S          | <a href="#">92837952</a> |                |          |
| 315Lk20         | 430S          | <a href="#">92837953</a> |                |          |
| 315Lk22         | 431S          | <a href="#">92837954</a> |                |          |
| 450Mm14         | 432S          | <a href="#">92837955</a> |                |          |
| 450Mm16         | 433S          | <a href="#">92837956</a> |                |          |
| 450Mm17         | 434S          | <a href="#">92837957</a> |                |          |
| 450Mm18         | 435S          | <a href="#">92837958</a> |                |          |
| 450Mm19         | 436S          | <a href="#">92837959</a> |                |          |
| 450Mm20         | 437S          | <a href="#">92837960</a> |                |          |
| 450Mm22         | 438S          | <a href="#">92837961</a> |                |          |
| 132Ca10         | 439S          | <a href="#">92837739</a> |                |          |
| 280Lj10         | 450S          | <a href="#">92837973</a> |                |          |
| 280Lj11         | 451S          | <a href="#">92837974</a> |                |          |
| 280Lj13         | 452S          | <a href="#">92837975</a> |                |          |
| 280Lj14         | 453S          | <a href="#">92837976</a> |                |          |
| 280Lj15         | 454S          | <a href="#">92837977</a> |                |          |
| 280Lj16         | 455S          | <a href="#">92837978</a> |                |          |
| 280Lj17         | 456S          | <a href="#">92837979</a> |                |          |
| 350Mq11         | 457S          | <a href="#">92837980</a> |                |          |
| 350Mq13         | 458S          | <a href="#">92837981</a> |                |          |
| 350Mq14         | 459S          | <a href="#">92837982</a> |                |          |
| 350Mq15         | 460S          | <a href="#">92837983</a> |                |          |
| 350Mq16         | 461S          | <a href="#">92837984</a> |                |          |
| 350Mq17         | 462S          | <a href="#">92837985</a> |                |          |
| 350Mq18         | 463S          | <a href="#">92837986</a> |                |          |

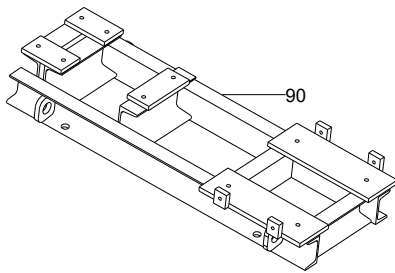
| Base frame code | Pump versions |          |                |          |
|-----------------|---------------|----------|----------------|----------|
|                 | A2, I2        |          | G2, H2, J2, K2 |          |
|                 | BF code       | Spare PN | BF code        | Spare PN |
| 350Mi09         | 464S          | 92837987 | 476S           | 92837999 |
| 350Mi10         | 465S          | 92837988 | 477S           | 92838000 |
| 350Mi11         | 466S          | 92837989 | 478S           | 92838001 |
| 350Mi13         | 467S          | 92837990 | 479S           | 92838002 |
| 350Mi14         | 468S          | 92837991 | 480S           | 92838003 |
| 350Mi15         | 469S          | 92837992 | 481S           | 92838004 |
| 350Mi16         | 470S          | 92837993 | 482S           | 92838005 |
| 350Mi17         | 471S          | 92837994 | 483S           | 92838006 |
| 350Mi18         | 472S          | 92837995 | 484S           | 92838007 |
| 350Mi19         | 473S          | 92837996 | 485S           | 92838008 |
| 350Mi20         | 474S          | 92837997 | 486S           | 92838009 |
| 350Mi22         | 475S          | 92837998 | 487S           | 92838010 |
| 400M13k         | 488S          | 92838011 |                |          |
| 400M14k         | 489S          | 92838012 |                |          |
| 400M16k         | 490S          | 92838013 |                |          |
| 400M17k         | 491S          | 92838014 |                |          |
| 400M18k         | 492S          | 92838015 |                |          |
| 400M19k         | 493S          | 92838016 |                |          |
| 400M20k         | 494S          | 92838017 |                |          |
| 400M22k         | 495S          | 92838018 |                |          |
| 400Mk17         | 496S          | 92838019 |                |          |
| 400Mk18         | 497S          | 92838020 |                |          |
| 400Mk19         | 498S          | 92838021 |                |          |
| 400Mk20         | 499S          | 92838022 |                |          |
| 400Mk22         | 500S          | 92838023 |                |          |
| 400Mk24         | 501S          | 92838024 |                |          |
| 400Mk25         | 502S          | 92838025 |                |          |
| 400Ms10         | 503S          | 92838026 |                |          |
| 400Ms11         | 504S          | 92838027 |                |          |
| 400Ms13         | 505S          | 92838028 |                |          |
| 400Ms14         | 506S          | 92838029 |                |          |
| 400Ms15         | 507S          | 92838030 |                |          |
| 400Ms16         | 508S          | 92838031 |                |          |
| 400Ms17         | 509S          | 92838032 |                |          |
| 400Ms18         | 510S          | 92838033 |                |          |
| 400Ms19         | 511S          | 92838034 |                |          |
| 450Mn11         | 512S          | 92838035 |                |          |
| 450Mn13         | 513S          | 92838036 |                |          |
| 450Mn14         | 514S          | 92838037 |                |          |
| 450Mn15         | 515S          | 92838038 |                |          |
| 450Mn16         | 516S          | 92838039 |                |          |
| 450Mn17         | 517S          | 92838040 |                |          |
| 450Mn18         | 518S          | 92838041 |                |          |
| 450Mn19         | 519S          | 92838043 |                |          |
| 450Mn20         | 520S          | 92838044 |                |          |
| 450Mn22         | 521S          | 92838045 |                |          |
| 510N11p         | 522S          | 92838046 |                |          |
| 510N13p         | 523S          | 92838047 |                |          |
| 510N14p         | 524S          | 92838048 |                |          |
| 510N16p         | 525S          | 92838049 |                |          |
| 510N17p         | 526S          | 92838050 |                |          |
| 510N18p         | 527S          | 92838051 |                |          |
| 510N19p         | 528S          | 92838052 |                |          |

| Base frame code        | Pump versions |          |                |          |
|------------------------|---------------|----------|----------------|----------|
|                        | A2, I2        |          | G2, H2, J2, K2 |          |
|                        | BF code       | Spare PN | BF code        | Spare PN |
| 510N20p                | 529S          | 92838053 |                |          |
| 510N22p                | 530S          | 92838054 |                |          |
| 510Np13                | 531S          | 92838055 |                |          |
| 510Np14                | 532S          | 92838056 |                |          |
| 510Np16                | 533S          | 92838057 | 533S           | 92838057 |
| 510Np17                | 534S          | 92838058 | 534S           | 92838058 |
| 510Np18                | 535S          | 92838059 | 535S           | 92838059 |
| 510Np19                | 536S          | 92838060 | 536S           | 92838060 |
| 510Np20                | 537S          | 92838061 | 537S           | 92838061 |
| 510Np22                | 538S          | 92838062 | 538S           | 92838062 |
| 450Ms16                | 546S          | 92838063 |                |          |
| 450Ms17                | 547S          | 92838064 |                |          |
| 450Ms18                | 548S          | 92838065 | 548S           | 92838065 |
| 450Ms19                | 549S          | 92838066 | 549S           | 92838066 |
| 450Ms20                | 550S          | 92838067 | 550S           | 92838067 |
| 450Ms22                | 551S          | 92838068 | 551S           | 92838068 |
| 450Ms24                |               |          | 556S           | 92838069 |
| 450Kr19                | 557S          | 92838070 |                |          |
| 450Kr20                | 558S          | 92838071 |                |          |
| 450Kr22                | 559S          | 92838072 | 559S           | 92838072 |
| 450Kr24                | 560S          | 92838074 | 560S           | 92838074 |
| 450Kr25                |               |          | 563S           | 92838075 |
| 560Jl16                | 564S          | 92838076 |                |          |
| 560Jl17                | 565S          | 92838077 |                |          |
| 560Jl18                | 566S          | 92838078 | 566S           | 92838078 |
| 560Jl19                | 567S          | 92838079 | 567S           | 92838079 |
| 560Jl20                | 568S          | 92838080 | 568S           | 92838080 |
| 560Jl25                |               |          | 575S           | 92838083 |
| 160Ca05 <sup>10)</sup> | 580S          | 93018584 |                |          |
| 112Ba04 <sup>10)</sup> | 581S          | 93018586 |                |          |

<sup>10)</sup> Only for E-pump.

## Spare - Base frame, standard coupling

### Standard coupling



TM1040123

#### Spare - Base frame, standard coupling

90: Base frame, standard coupling te

**Step 1: Find the motor frame size. Use the Section 3.18 Motors - Relation between P2 (power), pole and frame size for different motor brands.**

**Step 2: Use the pump size and the motor frame size to find the base frame code.**

| Pump size   | Motor frame size |           |           |           |           |           |         |           |         |           |           |           |  |
|-------------|------------------|-----------|-----------|-----------|-----------|-----------|---------|-----------|---------|-----------|-----------|-----------|--|
|             | 71M              | 80M       | 90S       | 90L       | 100L      | 112M-2,6  | 112M-4  | 132S      | 132M    | 160M      | 160L      | 180M      |  |
| 32-130.1-2P |                  | 112Aa02   | 112Aa03   | 112Aa04   | 112Aa05   | 112Aa06   |         | 112Aa08   |         |           |           |           |  |
| 32-130.1-4P | 112Aa01          | 112Aa02   |           |           |           |           |         |           |         |           |           |           |  |
| 32-130-2P   |                  | 112Aa02   | 112Aa03   | 112Aa04   | 112Aa05   | 112Aa06   |         | 112Aa08   |         |           |           |           |  |
| 32-130-4P   | 112Aa01          | 112Aa02   |           |           |           |           |         |           |         |           |           |           |  |
| 32-165.1-2P |                  |           | 132Cb03   | 132Cb04-1 | 132Cb05-1 | 132Cb06-1 |         | 132Cb08-1 |         |           |           |           |  |
| 32-165.1-4P | 132Ca01-1        | 132Ca02-1 |           |           |           |           |         |           |         |           |           |           |  |
| 32-180-2P   |                  |           | 132Ca03   | 132Ca04   | 132Ca05   | 132Ca06   |         | 132Ca08   |         | 132Ca10   |           |           |  |
| 32-180-4P   | 132Ca01          | 132Ca02   | 132Ca03   |           |           |           |         |           |         |           |           |           |  |
| 32-205.1-2P |                  |           |           |           | 160Cb05   | 160Cb06   |         | 160Cb08   |         | 160Cb10   |           |           |  |
| 32-205.1-4P | 160Ca01          | 160Ca02   | 160Ca03   | 160Ca04   | 160Ca05   |           |         |           |         |           |           |           |  |
| 40-130-2P   |                  |           | 112Bb03   | 112Bb04   | 112Bb05   | 112Bb06   |         | 112Bb08   |         | 112Bb10   |           |           |  |
| 40-130-4P   | 112Ba01          | 112Ba02   | 112Ba03   | 112Ba04   |           |           |         |           |         |           |           |           |  |
| 40-180-2P   |                  |           |           | 132Cb04   | 132Cb05   | 132Cb06   |         | 132Cb08   |         | 132Cb10   |           |           |  |
| 40-180-4P   | 132Ca01          | 132Ca02   | 132Ca03   | 132Ca04   | 132Ca05   |           |         |           |         |           |           |           |  |
| 40-220-2P   |                  |           |           |           |           |           |         | 180Ed08   |         | 180Ed10   | 180Ed11   | 180Ed12   |  |
| 40-220-4P   |                  | 180Eb02   | 180Eb03   | 180Eb04   | 180Eb05   |           | 180Eb07 |           |         |           |           |           |  |
| 40-225-2P   |                  |           |           |           |           |           |         | 180Ed08   |         | 180Ed10   | 180Ed11   | 180Ed12   |  |
| 40-225-4P   |                  | 180Eb02   | 180Eb03   | 180Eb04   | 180Eb05   |           | 180Eb07 | 180Eb08   |         |           |           |           |  |
| 50-130-2P   |                  |           |           |           | 132Cb05-1 | 132Cb06-1 |         | 132Cb08-1 |         | 132Cb10-1 |           |           |  |
| 50-130-4P   | 132Ca01-1        | 132Ca02-1 | 132Ca03-1 | 132Ca04-1 | 132Ca05-1 |           |         |           |         |           |           |           |  |
| 50-225-2P   |                  |           |           |           |           |           |         | 180Ee08   |         | 180Ee10   | 180Ee11   | 180Ee12   |  |
| 50-225-4P   |                  | 180Eb02   | 180Eb03   | 180Eb04   | 180Eb05   |           | 180Eb07 | 180Eb08   |         |           |           |           |  |
| 50-280-2P   |                  |           |           |           |           |           |         |           |         | 180Ee10   | 180Ee11   | 180Ee12   |  |
| 50-280-4P   |                  |           |           |           | 180Eb05   |           | 180Eb07 | 180Eb08   | 180Eb09 | 180Eb10   |           |           |  |
| 50-350      |                  |           |           |           | 225Fg05   |           | 225Fg07 | 225Fg08   | 225Fg09 | 225Fg10   | 225Fg11   | 225Fg12   |  |
| 65-130-2P   |                  |           |           |           |           | 160Db06-1 |         | 160Db08-1 |         | 160Db10-1 | 160Db11-1 | 160Db12-1 |  |
| 65-130-4P   |                  | 160Da02-1 | 160Da03-1 | 160Da04-1 | 160Da05-1 |           |         |           |         |           |           |           |  |
| 65-180-2P   |                  |           |           |           | 160Db05   | 160Db06   |         | 160Db08   |         | 160Db10   | 160Db11   | 160Db12   |  |
| 65-180-4P   |                  | 160Da02   | 160Da03   | 160Da04   | 160Da05   |           |         |           |         |           |           |           |  |
| 65-225-2P   |                  |           |           |           |           |           |         |           |         | 200Fe10   | 200Fe11   | 200Fe12   |  |
| 65-225-4P   |                  | 200Fb02   | 200Fb03   | 200Fb04   | 200Fb05   | 200Fb06   | 200Fb07 | 200Fb08   | 200Fb09 |           |           |           |  |
| 65-280      |                  |           | 200Fg03   | 200Fg04   | 200Fg05   | 200Fg06   | 200Fg07 | 200Fg08   | 200Fg09 | 200Fg10   |           |           |  |
| 80-180-2P   |                  |           |           |           |           | 160Db06   |         | 160Db08   |         | 160Db10   | 160Db11   | 160Db12   |  |
| 80-180-4P   |                  | 160Da02   | 160Da03   | 160Da04   | 160Da05   |           | 160Da07 |           |         |           |           |           |  |

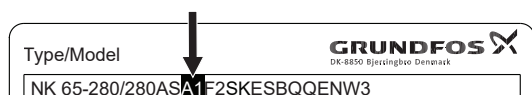
| Pump size  | Motor frame size |         |         |         |         |          |         |         |         |         |         |         |
|------------|------------------|---------|---------|---------|---------|----------|---------|---------|---------|---------|---------|---------|
|            | 71M              | 80M     | 90S     | 90L     | 100L    | 112M-2,6 | 112M-4  | 132S    | 132M    | 160M    | 160L    | 180M    |
| 80-225-2P  |                  |         |         |         |         |          |         |         |         |         | 200Gf11 | 200Gf12 |
| 80-225-4P  |                  |         | 200Gc03 | 200Gc04 | 200Gc05 | 200Gc06  | 200Gc07 | 200Gc08 | 200Gc09 | 200Gc10 |         |         |
| 80-280     |                  |         |         | 200Gg04 | 200Gg05 | 200Gg06  | 200Gg07 | 200Gg08 | 200Gg09 | 200Gg10 | 200Gg11 |         |
| 80-350     |                  |         |         |         |         | 250Gg06  |         | 250Gg08 | 250Gg09 | 250Gg10 | 250Gg11 | 250Gg12 |
| 100-180-2P |                  |         |         |         |         |          |         | 180Fb08 |         | 180Fb10 | 180Fb11 | 180Fb12 |
| 100-180-4P |                  | 180Fb02 | 180Fb03 | 180Fb04 | 180Fb05 |          | 180Fb07 | 180Fb08 |         |         |         |         |
| 100-225-2P |                  |         |         |         |         |          |         |         |         |         |         | 225Gf12 |
| 100-225-4P |                  |         |         | 225Gc04 | 225Gc05 | 225Gc06  | 225Gc07 | 225Gc08 | 225Gc09 | 225Gc10 | 225Gc11 |         |
| 100-280    |                  |         |         |         | 225Gg05 | 225Gg06  |         | 225Gg08 | 225Gg09 | 225Gg10 | 225Gg11 | 225Gg12 |
| 100-350    |                  |         |         |         |         | 250Gg06  |         | 250Gg08 | 250Gg09 | 250Gg10 | 250Gg11 | 250Gg12 |
| 100-380    |                  |         |         |         |         |          |         |         | 280Hi09 | 280Hi10 | 280Hi11 |         |
| 125-180-2P |                  |         |         |         |         |          |         |         |         | 200Fb10 | 200Fb11 | 200Fb12 |
| 125-180-4P |                  | 200Fb02 | 200Fb03 | 200Fb04 | 200Fb05 | 200Fb06  | 200Fb07 | 200Fb08 | 200Fb09 |         |         |         |
| 125-225    |                  |         |         |         | 250Gf05 | 250Gf06  |         | 250Gf08 | 250Gf09 | 250Gf10 | 250Gf11 | 250Gf12 |
| 125-280    |                  |         |         |         |         | 250Gg06  |         | 250Gg08 | 250Gg09 | 250Gg10 | 250Gg11 | 250Gg12 |
| 125-350    |                  |         |         |         |         |          |         |         | 280Hi09 | 280Hi10 | 280Hi11 | 280Hi12 |
| 125-380    |                  |         |         |         |         |          |         |         |         |         | 315Hi11 |         |
| 150-225    |                  |         |         |         |         | 280Hf06  |         | 280Hf08 | 280Hf09 | 280Hf10 | 280Hf11 | 280Hf12 |
| 150-280    |                  |         |         |         |         |          |         | 280Hi08 | 280Hi09 | 280Hi10 | 280Hi11 | 280Hi12 |
| 150-300    |                  |         |         |         |         |          |         |         |         | 280Lj10 | 280Lj11 |         |
| 150-350    |                  |         |         |         |         |          |         |         | 280Li09 | 280Li10 | 280Li11 | 280Li12 |
| 150-380    |                  |         |         |         |         |          |         |         |         |         |         |         |
| 200-300    |                  |         |         |         |         |          |         |         |         |         | 350Mq11 |         |
| 200-350    |                  |         |         |         |         |          |         |         | 350Mi09 | 350Mi10 | 350Mi11 |         |
| 200-380    |                  |         |         |         |         |          |         |         |         |         |         |         |
| 200-500    |                  |         |         |         |         |          |         |         |         |         |         |         |
| 250-315    |                  |         |         |         |         |          |         |         |         | 400Ms10 | 400Ms11 |         |
| 250-360    |                  |         |         |         |         |          |         |         |         |         | 450Mn11 |         |
| 250-380    |                  |         |         |         |         |          |         |         |         |         |         |         |
| 300-300    |                  |         |         |         |         |          |         |         |         |         | 510N11p |         |
| 300-310    |                  |         |         |         |         |          |         |         |         |         |         |         |
| 300-350    |                  |         |         |         |         |          |         |         |         |         |         |         |
| 300-400    |                  |         |         |         |         |          |         |         |         |         |         |         |
| 350-350    |                  |         |         |         |         |          |         |         |         |         |         |         |

| Pump size   | Motor frame size |         |         |         |         |         |         |         |      |      |      |      |      |
|-------------|------------------|---------|---------|---------|---------|---------|---------|---------|------|------|------|------|------|
|             | 180L             | 200L    | 225S    | 225M    | 250M    | 280S    | 280M    | 315S    | 315M | 315L | 355M | 355L | 355X |
| 32-130.1-2P |                  |         |         |         |         |         |         |         |      |      |      |      |      |
| 32-130.1-4P |                  |         |         |         |         |         |         |         |      |      |      |      |      |
| 32-130-2P   |                  |         |         |         |         |         |         |         |      |      |      |      |      |
| 32-130-4P   |                  |         |         |         |         |         |         |         |      |      |      |      |      |
| 32-165.1-2P |                  |         |         |         |         |         |         |         |      |      |      |      |      |
| 32-165.1-4P |                  |         |         |         |         |         |         |         |      |      |      |      |      |
| 32-180-2P   |                  |         |         |         |         |         |         |         |      |      |      |      |      |
| 32-180-4P   |                  |         |         |         |         |         |         |         |      |      |      |      |      |
| 32-205.1-2P |                  |         |         |         |         |         |         |         |      |      |      |      |      |
| 32-205.1-4P |                  |         |         |         |         |         |         |         |      |      |      |      |      |
| 40-130-2P   |                  |         |         |         |         |         |         |         |      |      |      |      |      |
| 40-130-4P   |                  |         |         |         |         |         |         |         |      |      |      |      |      |
| 40-180-2P   |                  |         |         |         |         |         |         |         |      |      |      |      |      |
| 40-180-4P   |                  |         |         |         |         |         |         |         |      |      |      |      |      |
| 40-220-2P   |                  | 180Ed14 |         |         |         |         |         |         |      |      |      |      |      |
| 40-220-4P   |                  |         |         |         |         |         |         |         |      |      |      |      |      |
| 40-225-2P   |                  | 180Ed14 |         |         |         |         |         |         |      |      |      |      |      |
| 40-225-4P   |                  |         |         |         |         |         |         |         |      |      |      |      |      |
| 50-130-2P   |                  |         |         |         |         |         |         |         |      |      |      |      |      |
| 50-130-4P   |                  |         |         |         |         |         |         |         |      |      |      |      |      |
| 50-225-2P   |                  | 180Ee14 |         | 180Ee16 |         |         |         |         |      |      |      |      |      |
| 50-225-4P   |                  |         |         |         |         |         |         |         |      |      |      |      |      |
| 50-280-2P   |                  | 180Ee14 |         | 180Ee16 | 180Ee17 | 180Ee18 |         |         |      |      |      |      |      |
| 50-280-4P   |                  |         |         |         |         |         |         |         |      |      |      |      |      |
| 50-350      |                  |         |         |         |         |         |         |         |      |      |      |      |      |
| 65-130-2P   |                  |         |         |         |         |         |         |         |      |      |      |      |      |
| 65-130-4P   |                  |         |         |         |         |         |         |         |      |      |      |      |      |
| 65-180-2P   |                  |         |         |         |         |         |         |         |      |      |      |      |      |
| 65-180-4P   |                  |         |         |         |         |         |         |         |      |      |      |      |      |
| 65-225-2P   |                  | 200Fe14 |         | 200Fh16 | 200Fh17 |         |         |         |      |      |      |      |      |
| 65-225-4P   |                  |         |         |         |         |         |         |         |      |      |      |      |      |
| 65-280      |                  |         |         |         |         |         |         |         |      |      |      |      |      |
| 80-180-2P   |                  | 160Db14 |         |         |         |         |         |         |      |      |      |      |      |
| 80-180-4P   |                  |         |         |         |         |         |         |         |      |      |      |      |      |
| 80-225-2P   |                  | 200Gf14 |         | 200Gf16 | 200Gf17 | 200Gf18 | 200Gf19 |         |      |      |      |      |      |
| 80-225-4P   |                  |         |         |         |         |         |         |         |      |      |      |      |      |
| 80-280      |                  |         |         |         |         |         |         |         |      |      |      |      |      |
| 80-350      | 250Gg13          | 250Gg14 |         |         |         |         |         |         |      |      |      |      |      |
| 100-180-2P  |                  | 180Fd14 |         |         |         |         |         |         |      |      |      |      |      |
| 100-180-4P  |                  |         |         |         |         |         |         |         |      |      |      |      |      |
| 100-225-2P  |                  | 225Gf14 |         | 225Gf16 | 225Gf17 | 225Gf18 | 225Gf19 |         |      |      |      |      |      |
| 100-225-4P  |                  |         |         |         |         |         |         |         |      |      |      |      |      |
| 100-280     | 225Gg13          |         |         |         |         |         |         |         |      |      |      |      |      |
| 100-350     | 250Gg13          | 250Gg14 | 250Gg15 |         |         |         |         |         |      |      |      |      |      |
| 100-380     | 280Hi13          | 280Hi14 | 280Hi15 | 280Hi16 | 280Hi17 | 280Hi18 | 280Hi19 | 280Hi20 |      |      |      |      |      |
| 125-180-2P  |                  | 200Fb14 |         | 200Fb16 | 200Fb17 |         |         |         |      |      |      |      |      |
| 125-180-4P  |                  |         |         |         |         |         |         |         |      |      |      |      |      |
| 125-225     | 250Gf13          |         |         |         |         |         |         |         |      |      |      |      |      |
| 125-280     | 250Gg13          | 250Gg14 |         |         |         |         |         |         |      |      |      |      |      |
| 125-350     | 280Hi13          | 280Hi14 | 280Hi15 | 280Hi16 | 280Hi17 |         |         |         |      |      |      |      |      |
| 125-380     | 315Hi13          | 315Hi14 | 315Hi15 | 315Hi16 | 315Hi17 | 315Hi18 | 315Hi19 | 315Hi20 |      |      |      |      |      |
| 150-225     | 280Hf13          | 280Hf14 |         |         |         |         |         |         |      |      |      |      |      |



| Pump size | Motor frame size |         |         |         |         |         |         |         |         |         |         |         |         |
|-----------|------------------|---------|---------|---------|---------|---------|---------|---------|---------|---------|---------|---------|---------|
|           | 180L             | 200L    | 225S    | 225M    | 250M    | 280S    | 280M    | 315S    | 315M    | 315L    | 355M    | 355L    | 355X    |
| 150-280   | 280Hi13          | 280Hi14 | 280Hi15 | 280Hi16 |         |         |         |         |         |         |         |         |         |
| 150-300   | 280Lj13          | 280Lj14 | 280Lj15 | 280Lj16 | 280Lj17 |         |         |         |         |         |         |         |         |
| 150-350   | 280Li13          | 280Li14 | 280Li15 | 280Li16 | 280Li17 | 280Li18 | 280Li19 |         |         |         |         |         |         |
| 150-380   | 315Lk13          | 315Lk14 | 315Lk16 |         | 315Lk17 | 315Lk18 | 315Lk19 | 315Lk20 | 315Lk22 | 315Lk22 |         |         |         |
| 200-300   | 350Mq13          | 350Mq14 | 350Mq15 | 350Mq16 | 350Mq17 | 350Mq18 |         |         |         |         |         |         |         |
| 200-350   | 350Mi13          | 350Mi14 | 350Mi15 | 350Mi16 | 350Mi17 | 350Mi18 | 350Mi19 | 350Mi20 | 350Mi22 | 350Mi22 |         |         |         |
| 200-380   | 400M13k          | 400M14k | 400M16k |         | 400M17k | 400M18k | 400M19k | 400M20k | 400M22k | 400M22k |         |         |         |
| 200-500   |                  |         |         | 400Mk17 | 400Mk18 | 400Mk19 | 400Mk20 | 400Mk22 | 400Mk22 | 400Mk24 | 400Mk24 | 400Mk25 |         |
| 250-315   | 400Ms13          | 400Ms14 | 400Ms15 | 400Ms16 | 400Ms17 | 400Ms18 | 400Ms19 |         |         |         |         |         |         |
| 250-360   | 450Mn13          | 450Mn14 | 450Mn15 | 450Mn16 | 450Mn17 | 450Mn18 | 450Mn19 | 450Mn20 | 450Mn22 | 450Mn22 |         |         |         |
| 250-380   | 450Mm14          |         | 450Mm16 |         | 450Mm17 | 450Mm18 | 450Mm19 | 450Mm20 | 450Mm22 | 450Mm22 |         |         |         |
| 300-300   | 510N13p          | 510N14p | 510N16p |         | 510N17p | 510N18p | 510N19p | 510N20p | 510N22p | 510Np22 |         |         |         |
| 300-310   | 510Np13          | 510Np14 | 510Np16 |         | 510Np17 | 510Np18 | 510Np19 | 510Np20 | 510Np22 | 510Np22 |         |         |         |
| 300-350   |                  |         |         | 450Ms16 | 450Ms17 | 450Ms18 | 450Ms19 | 450Ms20 | 450Ms22 | 450Ms22 | 450Ms24 | 450Ms24 |         |
| 300-400   |                  |         |         |         |         |         | 450Kr19 | 450Kr20 | 450Kr22 | 450Kr22 | 450Kr24 | 450Kr24 | 450Kr25 |
| 350-350   |                  |         |         | 560Jl16 | 560Jl17 | 560Jl18 | 560Jl19 | 560Jl20 | 560Jl22 | 560Jl22 |         |         |         |

Step 3: Use the base frame code and the pump version code to find the needed base frame.



Pump version code

| Base frame code          | Pump versions |                          |            |          |
|--------------------------|---------------|--------------------------|------------|----------|
|                          | A1, I1, Y1    |                          | G1, H1, W1 |          |
|                          | BF code       | Spare PN                 | BF code    | Spare PN |
| 112Aa01                  | 200           | <a href="#">92728727</a> |            |          |
| 112Aa02                  | 201           | <a href="#">92728728</a> |            |          |
| 112Aa03                  | 202           | <a href="#">92728729</a> |            |          |
| 112Aa04                  | 203           | <a href="#">92728730</a> |            |          |
| 112Aa05                  | 204           | <a href="#">92728731</a> |            |          |
| 112Aa06                  | 205           | <a href="#">92728732</a> |            |          |
| 112Aa08                  | 206           | <a href="#">92728733</a> |            |          |
| 132Ca01                  | 207           | <a href="#">92728734</a> |            |          |
| 132Ca01-1                |               |                          |            |          |
| 132Ca02                  | 208           | <a href="#">92728735</a> |            |          |
| 132Ca02-1                |               |                          |            |          |
| 132Ca03                  | 209           | <a href="#">92728736</a> |            |          |
| 132Ca03-1                |               |                          |            |          |
| 132Cb03                  | 210           | <a href="#">92728737</a> |            |          |
| 132Cb04                  | 211           | <a href="#">92728738</a> |            |          |
| 132Cb04-1                |               |                          |            |          |
| 132Cb05                  | 212           | <a href="#">92728739</a> |            |          |
| 132Cb05-1                |               |                          |            |          |
| 132Cb06                  | 213           | <a href="#">92728740</a> |            |          |
| 132Cb06-1                |               |                          |            |          |
| 132Cb08                  | 214           | <a href="#">92728741</a> |            |          |
| 132Cb08-1                |               |                          |            |          |
| 132Ca04,                 | 215           | <a href="#">92728742</a> |            |          |
| 132Ca04-1                |               |                          |            |          |
| 132Ca05                  | 216           | <a href="#">92728744</a> |            |          |
| 132Ca05-1 <sup>11)</sup> |               |                          |            |          |
| 132Ca06                  | 217           | <a href="#">92728745</a> |            |          |
| 132Ca08                  | 218           | <a href="#">92728746</a> |            |          |

| Base frame code        | Pump versions |                          |            |                          |
|------------------------|---------------|--------------------------|------------|--------------------------|
|                        | A1, I1, Y1    |                          | G1, H1, W1 |                          |
|                        | BF code       | Spare PN                 | BF code    | Spare PN                 |
| 160Ca01                | 219           | <a href="#">92728747</a> |            |                          |
| 160Ca02                | 220           | <a href="#">92728748</a> |            |                          |
| 160Ca03                | 221           | <a href="#">92728749</a> |            |                          |
| 160Ca04                | 222           | <a href="#">92728750</a> |            |                          |
| 160Cb05                | 223           | <a href="#">92728751</a> |            |                          |
| 160Cb06                | 224           | <a href="#">92728752</a> |            |                          |
| 160Cb08                | 225           | <a href="#">92728753</a> |            |                          |
| 160Cb10                | 226           | <a href="#">92728754</a> |            |                          |
| 112Ba01                | 227           | <a href="#">92728755</a> |            |                          |
| 112Ba02                | 228           | <a href="#">92728756</a> |            |                          |
| 112Ba03                | 229           | <a href="#">92728757</a> |            |                          |
| 112Bb03                | 230           | <a href="#">92728758</a> |            |                          |
| 112Bb04                | 231           | <a href="#">92728759</a> |            |                          |
| 112Bb05                | 232           | <a href="#">92728760</a> |            |                          |
| 112Bb06                | 233           | <a href="#">92728761</a> |            |                          |
| 112Bb08                | 234           | <a href="#">92728762</a> |            |                          |
| 112Bb10 <sup>11)</sup> | 235           | <a href="#">92728763</a> |            |                          |
| 132Cb10                | 236           | <a href="#">92728764</a> |            |                          |
| 132Cb10-1              |               |                          |            |                          |
| 180Eb02                | 237           | <a href="#">92728765</a> |            |                          |
| 180Eb03                | 238           | <a href="#">92728766</a> |            |                          |
| 180Eb04                | 239           | <a href="#">92728767</a> |            |                          |
| 180Eb05                | 240           | <a href="#">92728768</a> |            |                          |
| 180Eb07                | 241           | <a href="#">92728769</a> |            |                          |
| 180Eb08                | 242           | <a href="#">92728775</a> |            |                          |
| 180Ed08                |               |                          | 243        | <a href="#">92728770</a> |

| Base frame code          | Pump versions |          |            |          |
|--------------------------|---------------|----------|------------|----------|
|                          | A1, I1, Y1    |          | G1, H1, W1 |          |
|                          | BF code       | Spare PN | BF code    | Spare PN |
| 180Ed10                  |               |          | 244        | 92728771 |
| 180Ed11                  |               |          | 245        | 92728772 |
| 180Ed12                  |               |          | 246        | 92728773 |
| 180Ed14                  |               |          | 247        | 92728774 |
| 180Ee08                  | 248           | 92728776 |            |          |
| 180Ee10                  | 249           | 92728777 |            |          |
| 180Ee11                  | 250           | 92728778 |            |          |
| 180Ee12                  | 251           | 92728779 |            |          |
| 180Ee14                  | 252           | 92728780 |            |          |
| 180Ee16                  | 253           | 92728781 |            |          |
| 180Eb09                  | 254           | 92728782 |            |          |
| 180Eb10                  | 255           | 92728783 |            |          |
| 180Ee17                  | 256           | 92728784 |            |          |
| 180Ee18                  | 257           | 92728785 |            |          |
| 225Fg05                  | 258           | 92728786 |            |          |
| 225Fg07                  | 259           | 92728787 |            |          |
| 225Fg08                  | 260           | 92728788 |            |          |
| 225Fg09                  | 261           | 92728789 |            |          |
| 225Fg10                  | 262           | 92728790 |            |          |
| 225Fg11                  | 263           | 92728791 |            |          |
| 225Fg12                  | 264           | 92728792 |            |          |
| 160Da02                  | 265           | 92728793 |            |          |
| 160Da02-1                |               |          |            |          |
| 160Da03                  | 266           | 92728794 |            |          |
| 160Da03-1                |               |          |            |          |
| 160Da04                  | 267           | 92728795 |            |          |
| 160Da04-1                |               |          |            |          |
| 160Da05                  | 268           | 92728796 |            |          |
| 160Da05-1                |               |          |            |          |
| 160Db06                  | 269           | 92728797 |            |          |
| 160Db06-1                |               |          |            |          |
| 160Db08                  | 270           | 92728798 |            |          |
| 160Db08-1                |               |          |            |          |
| 160Db10                  | 271           | 92728799 |            |          |
| 160Db10-1                |               |          |            |          |
| 160Db11                  | 272           | 92728800 |            |          |
| 160Db11-1                |               |          |            |          |
| 160Da07                  | 273           | 92728801 |            |          |
| 160Db05                  | 274           | 92728802 |            |          |
| 160Db12                  | 275           | 92728803 |            |          |
| 160Db12-1 <sup>11)</sup> |               |          |            |          |
| 200Fb02                  | 276           | 92728804 |            |          |
| 200Fb03                  | 277           | 92728805 |            |          |
| 200Fb04                  | 278           | 92728806 |            |          |
| 200Fb05                  | 279           | 92728807 |            |          |
| 200Fb06                  | 280           | 92728808 |            |          |
| 200Fb07                  | 281           | 92728809 |            |          |
| 200Fb08                  | 282           | 92728810 |            |          |
| 200Fb09                  | 283           | 92728811 |            |          |
| 200Fe10                  | 284           | 92728812 |            |          |
| 200Fe11                  | 285           | 92728813 | 288        | 92728975 |
| 200Fe12                  | 286           | 92728814 | 289        | 92728976 |
| 200Fe14                  | 287           | 92728815 | 290        | 92728977 |
| 200Fh16                  |               |          | 291        | 92728816 |

| Base frame code | Pump versions |          |            |          |
|-----------------|---------------|----------|------------|----------|
|                 | A1, I1, Y1    |          | G1, H1, W1 |          |
|                 | BF code       | Spare PN | BF code    | Spare PN |
| 200Fh17         |               |          | 292        | 92728817 |
| 200Fg03         | 293           | 92728818 |            |          |
| 200Fg04         | 294           | 92728819 |            |          |
| 200Fg05         | 295           | 92728820 |            |          |
| 200Fg06         | 296           | 92728821 |            |          |
| 200Fg07         | 297           | 92728822 |            |          |
| 200Fg08         | 298           | 92728823 |            |          |
| 200Fg09         | 299           | 92728824 |            |          |
| 200Fg10         | 300           | 92728825 |            |          |
| 160Db14         | 301           | 92728826 |            |          |
| 200Gc03         | 302           | 92728827 |            |          |
| 200Gc04         | 303           | 92728828 |            |          |
| 200Gc05         | 304           | 92728829 |            |          |
| 200Gc06         | 305           | 92728830 |            |          |
| 200Gc07         | 306           | 92728831 |            |          |
| 200Gc08         | 307           | 92728832 |            |          |
| 200Gc09         | 308           | 92728833 |            |          |
| 200Gc10         | 309           | 92728834 |            |          |
| 200Gf11         | 310           | 92728835 |            |          |
| 200Gf12         | 311           | 92728836 |            |          |
| 200Gf14         | 312           | 92728837 |            |          |
| 200Gf16         | 313           | 92728838 |            |          |
| 200Gf17         | 314           | 92728839 |            |          |
| 200Gf18         | 315           | 92728840 |            |          |
| 200Gf19         | 316           | 92728841 |            |          |
| 200Gg04         | 317           | 92728842 |            |          |
| 200Gg05         | 318           | 92728843 |            |          |
| 200Gg06         | 319           | 92728844 |            |          |
| 200Gg07         | 320           | 92728845 |            |          |
| 200Gg08         | 321           | 92728846 |            |          |
| 200Gg09         | 322           | 92728847 |            |          |
| 200Gg10         | 323           | 92728848 |            |          |
| 200Gg11         | 324           | 92728849 |            |          |
| 250Gg06         | 325           | 92728850 |            |          |
| 250Gg08         | 326           | 92728851 |            |          |
| 250Gg09         | 327           | 92728852 |            |          |
| 250Gg10         | 328           | 92728853 |            |          |
| 250Gg11         | 329           | 92728854 |            |          |
| 250Gg12         | 330           | 92728855 |            |          |
| 250Gg13         | 331           | 92728856 |            |          |
| 250Gg14         | 332           | 92728857 |            |          |
| 180Fb02         | 333           | 92728859 |            |          |
| 180Fb03         | 334           | 92728860 |            |          |
| 180Fb04         | 335           | 92728861 |            |          |
| 180Fb05         | 336           | 92728862 |            |          |
| 180Fb07         | 337           | 92728863 |            |          |
| 180Fb08         | 338           | 92728864 |            |          |
| 180Fb10         | 339           | 92728865 | 342        | 92728978 |
| 180Fb11         | 340           | 92728866 | 343        | 92728979 |
| 180Fb12         | 341           | 92728867 | 344        | 92728980 |
| 180Fd14         |               |          | 345        | 92728868 |
| 225Gc04         | 346           | 92728869 |            |          |
| 225Gc05         | 347           | 92728870 |            |          |

| Base frame code | Pump versions |          |            |          |
|-----------------|---------------|----------|------------|----------|
|                 | A1, I1, Y1    |          | G1, H1, W1 |          |
|                 | BF code       | Spare PN | BF code    | Spare PN |
| 225Gc06         | 348           | 92728871 |            |          |
| 225Gc07         | 349           | 92728872 |            |          |
| 225Gc08         | 350           | 92728873 |            |          |
| 225Gc09         | 351           | 92728874 |            |          |
| 225Gc10         | 352           | 92728875 |            |          |
| 225Gc11         | 353           | 92728876 |            |          |
| 225Gf12         | 354           | 92728877 |            |          |
| 225Gf14         | 355           | 92728878 |            |          |
| 225Gf16         | 356           | 92728879 |            |          |
| 225Gf17         | 357           | 92728890 |            |          |
| 225Gf18         | 358           | 92728891 |            |          |
| 225Gf19         | 359           | 92728892 |            |          |
| 225Gg05         | 360           | 92728893 |            |          |
| 225Gg06         | 361           | 92728894 |            |          |
| 225Gg08         | 362           | 92728895 |            |          |
| 225Gg09         | 363           | 92728896 |            |          |
| 225Gg10         | 364           | 92728897 |            |          |
| 225Gg11         | 365           | 92728898 |            |          |
| 225Gg12         | 366           | 92728899 |            |          |
| 225Gg13         | 367           | 92728900 |            |          |
| 250Gg15         | 368           | 92728901 |            |          |
| 280Hi09         | 369           | 92728902 |            |          |
| 280Hi10         | 370           | 92728903 |            |          |
| 280Hi11         | 371           | 92728904 |            |          |
| 280Hi13         | 372           | 92728905 |            |          |
| 280Hi14         | 373           | 92728906 |            |          |
| 280Hi15         | 374           | 92728907 |            |          |
| 280Hi16         | 375           | 92728908 |            |          |
| 280Hi17         | 376           | 92728909 |            |          |
| 280Hi18         | 377           | 92728910 |            |          |
| 280Hi19         | 378           | 92728911 |            |          |
| 280Hi20         | 379           | 92728912 |            |          |
| 200Fb10         | 380           | 92728913 |            |          |
| 200Fb11         | 381           | 92728914 |            |          |
| 200Fb12         | 382           | 92728916 |            |          |
| 200Fb14         | 383           | 92728917 |            |          |
| 200Fb16         | 384           | 92728918 |            |          |
| 200Fb17         | 385           | 92728919 |            |          |
| 250Gf05         | 386           | 92728921 |            |          |
| 250Gf06         | 387           | 92728922 |            |          |
| 250Gf08         | 388           | 92728923 |            |          |
| 250Gf09         | 389           | 92728924 |            |          |
| 250Gf10         | 390           | 92728925 |            |          |
| 250Gf11         | 391           | 92728926 |            |          |
| 250Gf12         | 392           | 92728927 |            |          |
| 250Gf13         | 393           | 92728928 |            |          |
| 280Hi12         | 394           | 92728929 |            |          |
| 315Hi11         | 395           | 92728930 |            |          |
| 315Hi13         | 396           | 92728931 |            |          |
| 315Hi14         | 397           | 92728932 |            |          |
| 315Hi15         | 398           | 92728933 |            |          |
| 315Hi16         | 399           | 92728934 |            |          |
| 315Hi17         | 400           | 92728935 |            |          |

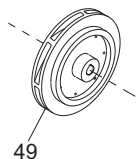
| Base frame code | Pump versions |          |            |          |
|-----------------|---------------|----------|------------|----------|
|                 | A1, I1, Y1    |          | G1, H1, W1 |          |
|                 | BF code       | Spare PN | BF code    | Spare PN |
| 315Hi18         | 401           | 92728936 |            |          |
| 315Hi19         | 402           | 92728937 |            |          |
| 315Hi20         | 403           | 92728938 |            |          |
| 280Hf06         | 404           | 92728939 |            |          |
| 280Hf08         | 405           | 92728940 |            |          |
| 280Hf09         | 406           | 92728941 |            |          |
| 280Hf10         | 407           | 92728942 |            |          |
| 280Hf11         | 408           | 92728943 |            |          |
| 280Hf12         | 409           | 92728944 |            |          |
| 280Hf13         | 410           | 92728945 |            |          |
| 280Hf14         | 411           | 92728946 |            |          |
| 280Hi08         | 412           | 92728947 |            |          |
| 280Li09         | 413           | 92728948 |            |          |
| 280Li10         | 414           | 92728949 |            |          |
| 280Li11         | 415           | 92728950 |            |          |
| 280Li12         | 416           | 92728951 |            |          |
| 280Li13         | 417           | 92728952 |            |          |
| 280Li14         | 418           | 92728953 |            |          |
| 280Li15         | 419           | 92728954 |            |          |
| 280Li16         | 420           | 92728955 |            |          |
| 280Li17         | 421           | 92728956 |            |          |
| 280Li18         | 422           | 92728957 |            |          |
| 280Li19         | 423           | 92728958 |            |          |
| 315Lk13         | 424           | 92728959 |            |          |
| 315Lk14         | 425           | 92728960 |            |          |
| 315Lk16         | 426           | 92728961 |            |          |
| 315Lk17         | 427           | 92728962 |            |          |
| 315Lk18         | 428           | 92728963 |            |          |
| 315Lk19         | 429           | 92728964 |            |          |
| 315Lk20         | 430           | 92728965 |            |          |
| 315Lk22         | 431           | 92728966 |            |          |
| 450Mm14         | 432           | 92728967 |            |          |
| 450Mm16         | 433           | 92728968 |            |          |
| 450Mm17         | 434           | 92728969 |            |          |
| 450Mm18         | 435           | 92728970 |            |          |
| 450Mm19         | 436           | 92728971 |            |          |
| 450Mm20         | 437           | 92728972 |            |          |
| 450Mm22         | 438           | 92728973 |            |          |
| 132Ca10         | 439           | 92728974 |            |          |
| 280H09i         | 440           | 92837598 |            |          |
| 280H10i         | 441           | 92837599 |            |          |
| 280H11i         | 442           | 92837600 |            |          |
| 280H12i         | 443           | 92837601 |            |          |
| 280H13i         | 444           | 92837602 |            |          |
| 280H14i         | 445           | 92837603 |            |          |
| 280H15i         | 446           | 92837604 |            |          |
| 280H16i         | 447           | 92837605 |            |          |
| 280H17i         | 448           | 92837606 |            |          |
| 280H18i         | 449           | 92837607 |            |          |
| 280Lj10         | 450           | 92837609 |            |          |
| 280Lj11         | 451           | 92837610 |            |          |
| 280Lj13         | 452           | 92837611 |            |          |
| 280Lj14         | 453           | 92837612 |            |          |

| Base frame code | Pump versions |          |            |          |
|-----------------|---------------|----------|------------|----------|
|                 | A1, I1, Y1    |          | G1, H1, W1 |          |
|                 | BF code       | Spare PN | BF code    | Spare PN |
| 280Lj15         | 454           | 92837613 |            |          |
| 280Lj16         | 455           | 92837614 |            |          |
| 280Lj17         | 456           | 92837615 |            |          |
| 350Mq11         | 457           | 92837616 |            |          |
| 350Mq13         | 458           | 92837617 |            |          |
| 350Mq14         | 459           | 92837618 |            |          |
| 350Mq15         | 460           | 92837619 |            |          |
| 350Mq16         | 461           | 92837620 |            |          |
| 350Mq17         | 462           | 92837621 |            |          |
| 350Mq18         | 463           | 92837622 |            |          |
| 350Mi09         | 464           | 92837623 | 476        | 92837636 |
| 350Mi10         | 465           | 92837624 | 477        | 92837637 |
| 350Mi11         | 466           | 92837625 | 478        | 92837638 |
| 350Mi13         | 467           | 92837626 | 479        | 92837639 |
| 350Mi14         | 468           | 92837627 | 480        | 92837640 |
| 350Mi15         | 469           | 92837628 | 481        | 92837641 |
| 350Mi16         | 470           | 92837629 | 482        | 92837642 |
| 350Mi17         | 471           | 92837630 | 483        | 92837643 |
| 350Mi18         | 472           | 92837631 | 484        | 92837644 |
| 350Mi19         | 473           | 92837633 | 485        | 92837645 |
| 350Mi20         | 474           | 92837634 | 486        | 92837646 |
| 350Mi22         | 475           | 92837635 | 487        | 92837647 |
| 400M13k         | 488           | 92837648 |            |          |
| 400M14k         | 489           | 92837649 |            |          |
| 400M16k         | 490           | 92837651 |            |          |
| 400M17k         | 491           | 92837652 |            |          |
| 400M18k         | 492           | 92837653 |            |          |
| 400M19k         | 493           | 92837654 |            |          |
| 400M20k         | 494           | 92837655 |            |          |
| 400M22k         | 495           | 92837656 |            |          |
| 400Mk17         | 496           | 92837657 |            |          |
| 400Mk18         | 497           | 92837658 |            |          |
| 400Mk19         | 498           | 92837659 |            |          |
| 400Mk20         | 499           | 92837660 |            |          |
| 400Mk22         | 500           | 92837661 |            |          |
| 400Mk24         | 501           | 92837662 |            |          |
| 400Mk25         | 502           | 92837663 |            |          |
| 400Ms10         | 503           | 92837664 |            |          |
| 400Ms11         | 504           | 92837665 |            |          |
| 400Ms13         | 505           | 92837666 |            |          |
| 400Ms14         | 506           | 92837667 |            |          |
| 400Ms15         | 507           | 92837668 |            |          |
| 400Ms16         | 508           | 92837669 |            |          |
| 400Ms17         | 509           | 92837670 |            |          |
| 400Ms18         | 510           | 92837671 |            |          |
| 400Ms19         | 511           | 92837672 |            |          |
| 450Mn11         | 512           | 92837673 |            |          |
| 450Mn13         | 513           | 92837674 |            |          |
| 450Mn14         | 514           | 92837675 |            |          |
| 450Mn15         | 515           | 92837676 |            |          |
| 450Mn16         | 516           | 92837677 |            |          |
| 450Mn17         | 517           | 92837678 |            |          |
| 450Mn18         | 518           | 92837679 |            |          |

| Base frame code        | Pump versions |          |            |          |
|------------------------|---------------|----------|------------|----------|
|                        | A1, I1, Y1    |          | G1, H1, W1 |          |
|                        | BF code       | Spare PN | BF code    | Spare PN |
| 450Mn19                | 519           | 92837680 |            |          |
| 450Mn20                | 520           | 92837681 |            |          |
| 450Mn22                | 521           | 92837682 |            |          |
| 510N11p                | 522           | 92837683 |            |          |
| 510N13p                | 523           | 92837684 |            |          |
| 510N14p                | 524           | 92837685 |            |          |
| 510N16p                | 525           | 92837686 |            |          |
| 510N17p                | 526           | 92837687 |            |          |
| 510N18p                | 527           | 92837688 |            |          |
| 510N19p                | 528           | 92837689 |            |          |
| 510N20p                | 529           | 92837690 |            |          |
| 510N22p                | 530           | 92837691 |            |          |
| 510Np13                | 531           | 92837692 |            |          |
| 510Np14                | 532           | 92837693 |            |          |
| 510Np16                | 533           | 92837694 | 533        | 92837694 |
| 510Np17                | 534           | 92837695 | 534        | 92837695 |
| 510Np18                | 535           | 92837696 | 535        | 92837696 |
| 510Np19                | 536           | 92837697 | 536        | 92837697 |
| 510Np20                | 537           | 92837698 | 537        | 92837698 |
| 510Np22                | 538           | 92837699 | 538        | 92837699 |
| 450Ms16                | 546           | 92837700 |            |          |
| 450Ms17                | 547           | 92837701 |            |          |
| 450Ms18                | 548           | 92837702 | 548        | 92837702 |
| 450Ms19                | 549           | 92837703 | 549        | 92837703 |
| 450Ms20                | 550           | 92837704 | 550        | 92837704 |
| 450Ms22                | 551           | 92837705 | 551        | 92837705 |
| 450Ms24                |               |          | 552        | 92837706 |
| 450Kr19                | 557           | 92837707 |            |          |
| 450Kr20                | 558           | 92837708 |            |          |
| 450Kr22                | 559           | 92837709 | 559        | 92837709 |
| 450Kr24                | 560           | 92837710 | 560        | 92837710 |
| 450Kr25                |               |          | 563        | 92837711 |
| 560Jl16                | 564           | 92837712 |            |          |
| 560Jl17                | 565           | 92837713 |            |          |
| 560Jl18                | 566           | 92837714 | 566        | 92837714 |
| 560Jl19                | 567           | 92837715 | 567        | 92837715 |
| 560Jl20                | 568           | 92837716 | 568        | 92837716 |
| 560Jl22                | 569           | 92837717 | 569        | 92837717 |
| 160Ca05 <sup>11)</sup> | 580           | 93018583 |            |          |
| 112Ba04 <sup>11)</sup> | 581           | 93018585 |            |          |

<sup>11)</sup> Only for E-pump.

### Spare - Impeller



TM078777

**Spare - Impeller**

49: Impeller

**IMPORTANT!** When ordering a spare impeller and the required trim falls between one of those mentioned in the overview, please inform Grundfos about the following nameplate data:

- pump type and size (pos.1)
- actual impeller trim, as indicated after the pump size (pos.2)
- product number and production serial number (PN-SN) (pos.3).

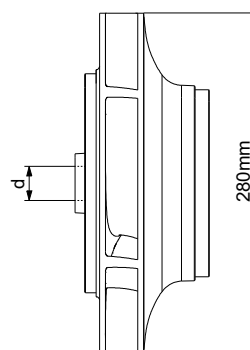
See the nameplate and impeller examples below. This enables Grundfos to produce an exact match of the installed impeller.

### Cylindrical trim impeller

|                                 |                        |  |                      |
|---------------------------------|------------------------|--|----------------------|
| Type/Model                      |                        | GRUNDFOS<br>DK-8850 Bjerringbo Denmark |                      |
| NK 65-280/280ASA2F2\$KESBQQENW3 |                        |  |                      |
| PN-SN 99431975-00010000         | PC P32132              | R2                                     |                      |
| Q 108.9m <sup>3</sup> /h        | H 34.6m                | n 1450min <sup>-1</sup>                |                      |
| MEI ≥ 0.70                      | PEI <sub>ca</sub> 0.89 | 50 Hz                                  | η <sub>p</sub> 77.1% |
| p/t 16/120bar/°C <sub>MAX</sub> |                        | Imp.Dia. 11.02(in.)                    |                      |
| Made in China                   |                        |  |                      |

92712786

TM083011



TM083028

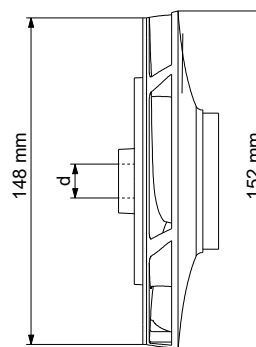
### Angle trim impeller

|                                     |                        |  |                      |
|-------------------------------------|------------------------|--|----------------------|
| Type/Model                          |                        | GRUNDFOS<br>DK-8850 Bjerringbo Denmark |                      |
| NK 125-180/152-148AA F2\$KESBQQENW3 |                        |  |                      |
| PN-SN 99431975-00010001             | PC P32240              | R2                                     |                      |
| Q 230 m <sup>3</sup> /h             | H 17.8m                | n 2950min <sup>-1</sup>                |                      |
| MEI ≥ 0.70                          | PEI <sub>ca</sub> 0.89 | 50 Hz                                  | η <sub>p</sub> 81.2% |
| p/t 16/120bar/°C <sub>MAX</sub>     |                        | Imp.Dia. 5.98-5.83(in.)                |                      |
| Made in China                       |                        |  |                      |

Reserved QR code

92712786

TM083030



TM083029

| Pump size | Pole | Hz       | P2<br>[kW] | Hz | P2<br>[kW] | Actual<br>impeller trim<br>[mm] | Pump material code                |                           |                | Impeller bore,<br>d<br>[mm] |          |    |
|-----------|------|----------|------------|----|------------|---------------------------------|-----------------------------------|---------------------------|----------------|-----------------------------|----------|----|
|           |      |          |            |    |            |                                 | S3, S4, S5, SB, SC,<br>SD, SI, SK | S8, S9, SG, SH, SJ,<br>SL | T2, T3, TA, TB |                             |          |    |
|           |      |          |            |    |            |                                 | Impeller material                 |                           |                |                             |          |    |
|           |      |          |            |    |            |                                 | 304 (1.4308)                      | 316 (1.4408)              | 904 (1.4517)   |                             |          |    |
| 32-130    | 2    | 50       | -          | 60 | 1.5        | 105                             | 92995132                          | 92995408                  | 92995684       | 15                          |          |    |
|           |      | 50       | 1.1        | 60 | -          | 111                             | 92995133                          | 92995409                  | 92995685       | 15                          |          |    |
|           |      | 50       | -          | 60 | 2.2        | 115                             | 92995134                          | 92995410                  | 92995686       | 15                          |          |    |
|           |      | 50       | 1.5        | 60 | -          | 121                             | 92995135                          | 92995411                  | 92995687       | 15                          |          |    |
|           |      | 50       | -          | 60 | 3          | 126                             | 92995136                          | 92995412                  | 92995688       | 15                          |          |    |
|           |      | 50       | 2.2        | 60 | -          | 135                             | 92995139                          | 92995415                  | 92995691       | 15                          |          |    |
|           |      | 50       | -          | 60 | 4          | 137                             | 92995140                          | 92995416                  | 92995692       | 15                          |          |    |
|           | 4    | 50       | 3          | 60 | 5.5        | 142                             | 92995141                          | 92995417                  | 92995693       | 15                          |          |    |
|           |      | 50       | -          | 60 | 0.25       | 121                             | 92995135                          | 92995411                  | 92995687       | 15                          |          |    |
|           |      | 50       | 0.25       | 60 | -          | 133                             | 92995137                          | 92995413                  | 92995689       | 15                          |          |    |
|           |      | 50       | -          | 60 | 0.37       | 134                             | 92995138                          | 92995414                  | 92995690       | 15                          |          |    |
|           |      | 50       | 0.37       | 60 | 0.55       | 142                             | 92995141                          | 92995417                  | 92995693       | 15                          |          |    |
|           |      | 32-130.1 | 2          | 50 | -          | 60                              | 1.1                               | 96                        | 92995142       | 92995418                    | 92995694 | 15 |
|           |      |          |            | 50 | 0.75       | 60                              | -                                 | 100                       | 92995143       | 92995419                    | 92995695 | 15 |
| 50        | -    |          |            | 60 | 1.5        | 108                             | 92995144                          | 92995420                  | 92995696       | 15                          |          |    |
| 50        | 1.1  |          |            | 60 | -          | 114                             | 92995145                          | 92995421                  | 92995697       | 15                          |          |    |
| 50        | -    |          |            | 60 | 2.2        | 119                             | 92995146                          | 92995422                  | 92995698       | 15                          |          |    |
| 50        | 1.5  |          |            | 60 | -          | 124                             | 92995147                          | 92995423                  | 92995699       | 15                          |          |    |
| 50        | -    |          |            | 60 | 3          | 128                             | 92995149                          | 92995425                  | 92995701       | 15                          |          |    |
| 4         | 50   |          | 2.2        | 60 | -          | 140                             | 92995152                          | 92995428                  | 92995704       | 15                          |          |    |
|           | 50   |          | -          | 60 | 4          | 142                             | 92995153                          | 92995429                  | 92995706       | 15                          |          |    |
|           | 50   |          | 3          | 60 | 5.5        | 144                             | 92995154                          | 92995440                  | 92995707       | 15                          |          |    |
|           | 50   |          | -          | 60 | 0.25       | 125                             | 92995148                          | 92995424                  | 92995700       | 15                          |          |    |
|           | 50   |          | 0.25       | 50 | -          | 135                             | 92995150                          | 92995426                  | 92995702       | 15                          |          |    |
|           | 50   |          | -          | 60 | 0.37       | 139                             | 92995151                          | 92995427                  | 92995703       | 15                          |          |    |
|           | 50   |          | 0.37       | 60 | 0.55       | 144                             | 92995154                          | 92995440                  | 92995707       | 15                          |          |    |
| 32-165.1  | 2    | 50       | -          | 60 | 2.2        | 137                             | 92995155                          | 92995441                  | 92995708       | 22                          |          |    |
|           |      | 50       | 1.5        | 60 | -          | 141                             | 92995156                          | 92995442                  | 92995709       | 22                          |          |    |
|           |      | 50       | -          | 60 | 3          | 146                             | 92995157                          | 92995443                  | 92995710       | 22                          |          |    |
|           |      | 50       | 2.2        | 60 | -          | 156                             | 92995159                          | 92995445                  | 92995712       | 22                          |          |    |
|           |      | 50       | -          | 60 | 4          | 158                             | 92995160                          | 92995446                  | 92995713       | 22                          |          |    |
|           |      | 50       | 3          | 60 | -          | 168                             | 92995163                          | 92995449                  | 92995716       | 22                          |          |    |
|           |      | 60       | 5.5        | 60 | 5.5        | 171                             | 92995164                          | 92995450                  | 92995717       | 22                          |          |    |
|           | 4    | 50       | 4          | 60 | 7.5        | 177                             | 92995165                          | 92995451                  | 92995718       | 22                          |          |    |
|           |      | 50       | 0.25       | 60 | -          | 151                             | 92995158                          | 92995444                  | 92995711       | 15                          |          |    |
|           |      | 50       | -          | 60 | 0.37       | 151                             | 92995158                          | 92995444                  | 92995711       | 15                          |          |    |
|           |      | 50       | -          | 60 | 0.55       | 164                             | 92995161                          | 92995447                  | 92995714       | 15                          |          |    |
|           |      | 50       | 0.37       | 60 | -          | 167                             | 92995162                          | 92995448                  | 92995715       | 15                          |          |    |
|           |      | 50       | 0.55       | 60 | 0.75       | 177                             | 92999213                          | 92999221                  | 92999229       | 15                          |          |    |

| Pump size | Pole | Hz       | P2 [kW] | Hz   | P2 [kW]  | Actual impeller trim [mm] | Pump material code             |                        |                | Impeller bore, d [mm] |          |    |
|-----------|------|----------|---------|------|----------|---------------------------|--------------------------------|------------------------|----------------|-----------------------|----------|----|
|           |      |          |         |      |          |                           | S3, S4, S5, SB, SC, SD, SI, SK | S8, S9, SG, SH, SJ, SL | T2, T3, TA, TB |                       |          |    |
|           |      |          |         |      |          |                           | Impeller material              |                        |                |                       |          |    |
|           |      |          |         |      |          |                           | 304 (1.4308)                   | 316 (1.4408)           | 904 (1.4517)   |                       |          |    |
| 32-180    | 2    | 50       | 1.5     | 60   | -        | 123                       | 92745124                       | 92745513               | 92745894       | 15                    |          |    |
|           |      | 50       | -       | 60   | 2.2      | 118                       | 92745123                       | 92745512               | 92745893       | 15                    |          |    |
|           |      | 50       | -       | 60   | 3        | 128                       | 92745122                       | 92745511               | 92745892       | 15                    |          |    |
|           |      | 50       | -       | 60   | 4        | 142                       | 92745121                       | 92745510               | 92745891       | 15                    |          |    |
|           |      | 50       | -       | 60   | 5.5      | 154                       | 92745120                       | 92745509               | 92745890       | 15                    |          |    |
|           |      | 50       | 2.2     | 60   | -        | 140                       | 92745099                       | 92745508               | 92745889       | 15                    |          |    |
|           |      | 50       | 3       | 60   | -        | 152                       | 92745098                       | 92745507               | 92745888       | 15                    |          |    |
|           |      | 50       | 4       | 60   | -        | 166                       | 92745097                       | 92745506               | 92745887       | 15                    |          |    |
|           |      | 50       | -       | 60   | 7.5      | 169                       | 92526548                       | 92526565               | 92553811       | 15                    |          |    |
|           |      | 50       | 5.5     | 60   | 11       | 177                       | 92526547                       | 92526564               | 92553810       | 15                    |          |    |
|           | 4    | 50       | 0.25    | 60   | -        | 138                       | 92745129                       | 92745517               | 92745898       | 15                    |          |    |
|           |      | 50       | -       | 60   | 0.37     | 137                       | 92745128                       | 92745516               | 92745897       | 15                    |          |    |
|           |      | 50       | 0.37    | 60   | -        | 159                       | 92745126                       | 92745515               | 92745896       | 15                    |          |    |
|           |      | 50       | 0.55    | 60   | -        | 174                       | 92745125                       | 92745514               | 92745895       | 15                    |          |    |
|           |      | 50       | -       | 60   | 0.55     | 145                       | 92526562                       | 92526570               | 92553815       | 15                    |          |    |
|           |      | 50       | -       | 60   | 0.75     | 155                       | 92526549                       | 92526566               | 92553812       | 15                    |          |    |
|           |      | 50       | 0.75    | 60   | 1.1      | 177                       | 92526547                       | 92526564               | 92553810       | 15                    |          |    |
|           |      | 32-205.1 | 2       | 50   | -        | 60                        | 4                              | 162                    | 92995166       | 92995452              | 92995719 | 22 |
|           |      |          |         | 50   | 3        | 60                        | -                              | 176                    | 92995169       | 92995455              | 92995722 | 22 |
|           |      |          |         | 50   | -        | 60                        | 5.5                            | 179                    | 92995170       | 92995456              | 92995723 | 22 |
| 50        | 4    |          |         | 60   | -        | 189                       | 92995172                       | 92995458               | 92995725       | 22                    |          |    |
| 50        | -    |          |         | 60   | 7.5      | 193                       | 92995174                       | 92995460               | 92995727       | 22                    |          |    |
| 4         | 50   |          | 5.5     | 60   | -        | 205                       | 92995176                       | 92995462               | 92995729       | 22                    |          |    |
|           | 50   |          | 7.5     | 60   | 11       | 207                       | 92995177                       | 92995463               | 92995730       | 22                    |          |    |
|           | 50   |          | -       | 60   | 0.55     | 165                       | 92995167                       | 92995453               | 92995720       | 15                    |          |    |
|           | 50   |          | 0.37    | 60   | -        | 174                       | 92995168                       | 92995454               | 92995721       | 15                    |          |    |
|           | 50   |          | -       | 60   | 0.75     | 184                       | 92995171                       | 92995457               | 92995724       | 15                    |          |    |
| 40-130    | 2    | 50       | 0.55    | 60   | -        | 192                       | 92995173                       | 92995459               | 92995726       | 15                    |          |    |
|           |      | 50       | -       | 60   | 1.1      | 203                       | 92995175                       | 92995461               | 92995728       | 15                    |          |    |
|           |      | 50       | 0.75    | 60   | 1.5      | 207                       | 92999212                       | 92999220               | 92999228       | 15                    |          |    |
|           |      | 50       | 1.5     | 60   | -        | 108                       | 92995192                       | 92995478               | 92995756       | 22                    |          |    |
|           |      | 50       | -       | 60   | 3        | 113                       | 92995193                       | 92995479               | 92995757       | 22                    |          |    |
|           | 4    | 50       | 2.2     | 60   | -        | 122                       | 92995195                       | 92995481               | 92995760       | 22                    |          |    |
|           |      | 50       | -       | 60   | 4        | 123                       | 92995196                       | 92995482               | 92995761       | 22                    |          |    |
|           |      | 50       | 3       | 60   | -        | 131                       | 92995198                       | 92995484               | 92995763       | 22                    |          |    |
|           |      | 50       | -       | 60   | 5.5      | 132                       | 92995199                       | 92995485               | 92995764       | 22                    |          |    |
|           |      | 50       | 4       | 60   | -        | 140                       | 92995202                       | 92995488               | 92995767       | 22                    |          |    |
| 4         | 50   | 5.5      | 60      | 7.5  | 142      | 92995203                  | 92995489                       | 92995769               | 22             |                       |          |    |
|           | 50   | -        | 60      | 0.37 | 119      | 92995194                  | 92995480                       | 92995759               | 15             |                       |          |    |
|           | 50   | 0.25     | 60      | -    | 122      | 92998209                  | 92999217                       | 92999225               | 15             |                       |          |    |
|           | 50   | -        | 60      | 0.55 | 130      | 92995197                  | 92995483                       | 92995762               | 15             |                       |          |    |
|           | 50   | 0.37     | 60      | -    | 135      | 92995200                  | 92995486                       | 92995765               | 15             |                       |          |    |
| 50        | -    | 60       | 0.75    | 138  | 92995201 | 92995487                  | 92995766                       | 15                     |                |                       |          |    |
| 50        | 0.55 | 60       | 1.1     | 142  | 92998208 | 92999216                  | 92999224                       | 15                     |                |                       |          |    |

| Pump size | Pole | Hz     | P2<br>[kW] | Hz  | P2<br>[kW] | Actual<br>impeller trim<br>[mm] | Pump material code                |                           |                | Impeller bore,<br>d<br>[mm] |          |    |
|-----------|------|--------|------------|-----|------------|---------------------------------|-----------------------------------|---------------------------|----------------|-----------------------------|----------|----|
|           |      |        |            |     |            |                                 | S3, S4, S5, SB, SC,<br>SD, SI, SK | S8, S9, SG, SH, SJ,<br>SL | T2, T3, TA, TB |                             |          |    |
|           |      |        |            |     |            |                                 | Impeller material                 |                           |                |                             |          |    |
|           |      |        |            |     |            |                                 | 304 (1.4308)                      | 316 (1.4408)              | 904 (1.4517)   |                             |          |    |
| 40-180    | 2    | 50     | 2.2        | 60  | -          | 112                             | 92745135                          | 92745523                  | 92745904       | 22                          |          |    |
|           |      | 50     | -          | 60  | 4          | 116                             | 92745134                          | 92745522                  | 92745903       | 22                          |          |    |
|           |      | 50     | 3          | 60  | -          | 125                             | 92745133                          | 92745521                  | 92745902       | 22                          |          |    |
|           |      | 50     | 4          | 60  | -          | 140                             | 92745132                          | 92745520                  | 92745901       | 22                          |          |    |
|           |      | 50     | 5.5        | 60  | -          | 155                             | 92745131                          | 92745519                  | 92745900       | 22                          |          |    |
|           |      | 50     | 7.5        | 60  | -          | 173                             | 92745130                          | 92745518                  | 92745899       | 22                          |          |    |
|           |      | 50     | -          | 60  | 5.5        | 128                             | 92526576                          | 92526587                  | 92553820       | 22                          |          |    |
|           |      | 50     | -          | 60  | 7.5        | 142                             | 92526574                          | 92526586                  | 92553819       | 22                          |          |    |
|           |      | 50     | -          | 60  | 11         | 160                             | 92526573                          | 92526585                  | 92553818       | 22                          |          |    |
|           |      | 50     | 11         | 60  | 15         | 176                             | 92526572                          | 92526584                  | 92553817       | 22                          |          |    |
|           | 4    | 50     | 0.55       | 60  | -          | 145                             | 92745138                          | 92745526                  | 92745907       | 15                          |          |    |
|           |      | 50     | 0.75       | 60  | -          | 162                             | 92745137                          | 92745525                  | 92745906       | 15                          |          |    |
|           |      | 50     | -          | 60  | 1.5        | 165                             | 92745136                          | 92745524                  | 92745905       | 15                          |          |    |
|           |      | 50     | -          | 60  | 0.55       | 118                             | 92526582                          | 92526594                  | 92553826       | 15                          |          |    |
|           |      | 50     | 0.37       | 60  | 0.75       | 130                             | 92526581                          | 92526593                  | 92553825       | 15                          |          |    |
|           |      | 50     | -          | 60  | 1.1        | 150                             | 92526580                          | 92526592                  | 92553824       | 15                          |          |    |
|           |      | 50     | -          | 60  | -          | 166                             | 92526579                          | 92526591                  | 92553823       | 15                          |          |    |
|           |      | 50     | 1.1        | 60  | 2.2        | 176                             | 92526578                          | 92526590                  | 92553822       | 15                          |          |    |
|           |      | 40-220 | 2          | 50  | 5.5        | 60                              | -                                 | 172                       | 92745143       | 92745531                    | 92745912 | 22 |
|           |      |        |            | 50  | -          | 60                              | 11                                | 182                       | 92745142       | 92745530                    | 92745911 | 22 |
| 50        | 7.5  |        |            | 60  | -          | 192                             | 92745141                          | 92745529                  | 92745910       | 22                          |          |    |
| 50        | 11   |        |            | 60  | -          | 212                             | 92745140                          | 92745528                  | 92745909       | 22                          |          |    |
| 50        | 15   |        |            | 60  | -          | 244                             | 92745139                          | 92745527                  | 92745908       | 22                          |          |    |
| 4         | 50   |        | -          | 60  | 15         | 198                             | 92526599                          | 92526610                  | 92553830       | 22                          |          |    |
|           | 50   |        | -          | 60  | 18.5       | 210                             | 92526598                          | 92526609                  | 92553829       | 22                          |          |    |
|           | 50   |        | -          | 60  | 22         | 224                             | 92526597                          | 92526608                  | 92553828       | 22                          |          |    |
|           | 50   |        | 18.5       | 60  | 30         | 250                             | 92526596                          | 92526606                  | 92553827       | 22                          |          |    |
|           | 50   |        | 0.55       | 60  | -          | 167                             | 92745150                          | 92745537                  | 92745918       | 22                          |          |    |
| 4         | 50   | -      | 60         | 1.1 | 169        | 92745149                        | 92745536                          | 92745917                  | 22             |                             |          |    |
|           | 50   | 0.75   | 60         | -   | 179        | 92745148                        | 92745535                          | 92745916                  | 22             |                             |          |    |
|           | 50   | 1.1    | 60         | -   | 200        | 92745147                        | 92745534                          | 92745915                  | 22             |                             |          |    |
|           | 50   | 1.5    | 60         | -   | 218        | 92745146                        | 92745533                          | 92745914                  | 22             |                             |          |    |
|           | 50   | -      | 60         | 3   | 239        | 92745145                        | 92745532                          | 92745913                  | 22             |                             |          |    |
|           | 50   | -      | 60         | 1.5 | 184        | 92526604                        | 92526614                          | 92553834                  | 22             |                             |          |    |
|           | 50   | -      | 60         | 2.2 | 206        | 92526603                        | 92526613                          | 92553833                  | 22             |                             |          |    |
|           | 50   | 2.2    | 60         | 4   | 250        | 92526602                        | 92526612                          | 92553832                  | 22             |                             |          |    |



| Pump size | Pole | Hz   | P2<br>[kW] | Hz   | P2<br>[kW] | Actual<br>impeller trim<br>[mm] | Pump material code                |                           |                | Impeller bore,<br>d<br>[mm] |
|-----------|------|------|------------|------|------------|---------------------------------|-----------------------------------|---------------------------|----------------|-----------------------------|
|           |      |      |            |      |            |                                 | S3, S4, S5, SB, SC,<br>SD, SI, SK | S8, S9, SG, SH, SJ,<br>SL | T2, T3, TA, TB |                             |
|           |      |      |            |      |            |                                 | Impeller material                 |                           |                |                             |
|           |      |      |            |      |            |                                 | 304 (1.4308)                      | 316 (1.4408)              | 904 (1.4517)   |                             |
| 40-225    | 2    | 50   | 5.5        | 60   | -          | 158                             | 92745157                          | 92745544                  | 92745925       | 22                          |
|           |      | 50   | 7.5        | 60   | -          | 173                             | 92745156                          | 92745543                  | 92745924       | 22                          |
|           |      | 50   | -          | 60   | 15         | 177                             | 92745155                          | 92745542                  | 92745923       | 22                          |
|           |      | 50   | 11         | 60   | -          | 192                             | 92745154                          | 92745541                  | 92745922       | 22                          |
|           |      | 50   | -          | 60   | 22         | 199                             | 92745153                          | 92745540                  | 92745921       | 22                          |
|           |      | 50   | 15         | 60   | -          | 210                             | 92745152                          | 92745539                  | 92745920       | 22                          |
|           |      | 50   | 18.5       | 60   | -          | 230                             | 92745151                          | 92745538                  | 92745919       | 22                          |
|           |      | 50   | -          | 60   | 11         | 164                             | 92526621                          | 92526631                  | 92553841       | 22                          |
|           |      | 50   | -          | 60   | 18.5       | 190                             | 92526619                          | 92526629                  | 92553839       | 22                          |
|           |      | 50   | -          | 60   | 30         | 224                             | 92526617                          | 92526627                  | 92553837       | 22                          |
|           | 50   | 22   | 60         | 37   | 246        | 92526616                        | 92526626                          | 92553836                  | 22             |                             |
|           | 50   | 0.75 | 60         | -    | 162        | 92745163                        | 92745550                          | 92745931                  | 22             |                             |
|           | 50   | 1.1  | 60         | -    | 182        | 92745162                        | 92745549                          | 92745930                  | 22             |                             |
|           | 50   | 1.5  | 60         | -    | 199        | 92745161                        | 92745548                          | 92745929                  | 22             |                             |
|           | 50   | -    | 60         | 3    | 212        | 92745160                        | 92745547                          | 92745928                  | 22             |                             |
|           | 50   | 2.2  | 60         | -    | 226        | 92745159                        | 92745546                          | 92745927                  | 22             |                             |
|           | 50   | -    | 60         | 4    | 229        | 92745158                        | 92745545                          | 92745926                  | 22             |                             |
|           | 50   | -    | 60         | 1.5  | 166        | 92526625                        | 92526635                          | 92553845                  | 22             |                             |
|           | 50   | -    | 60         | 2.2  | 186        | 92526624                        | 92526634                          | 92553844                  | 22             |                             |
|           | 50   | 3    | 60         | 5.5  | 250        | 92526622                        | 92526632                          | 92553842                  | 22             |                             |
| 50-130    | 2    | 50   | -          | 60   | 4          | 106                             | 92995204                          | 92995490                  | 92995770       | 22                          |
|           |      | 50   | 3          | 60   | -          | 113                             | 92995206                          | 92995492                  | 92995772       | 22                          |
|           |      | 50   | -          | 60   | 5.5        | 114                             | 92995207                          | 92995493                  | 92995773       | 22                          |
|           |      | 50   | 4          | 60   | -          | 124                             | 92995209                          | 92995495                  | 92995775       | 22                          |
|           |      | 50   | -          | 60   | 7.5        | 125                             | 92995210                          | 92995496                  | 92995776       | 22                          |
|           |      | 50   | 5.5        | 60   | -          | 135                             | 92995213                          | 92995499                  | 92995779       | 22                          |
|           |      | 50   | -          | 60   | 11         | 140                             | 92995215                          | 92995501                  | 92995781       | 22                          |
|           |      | 50   | 7.5        | 60   | 15         | 142                             | 92995216                          | 92995502                  | 92995782       | 22                          |
|           | 50   | -    | 60         | 0.55 | 110        | 92995205                        | 92995491                          | 92995771                  | 15             |                             |
|           | 50   | 0.37 | 60         | -    | 113        | 92999211                        | 92999219                          | 92999227                  | 15             |                             |
|           | 50   | -    | 60         | 0.75 | 120        | 92995208                        | 92995494                          | 92995774                  | 15             |                             |
|           | 50   | 0.55 | 60         | -    | 129        | 92995211                        | 92995497                          | 92995777                  | 15             |                             |
|           | 50   | -    | 60         | 1.1  | 134        | 92995212                        | 92995498                          | 92995778                  | 15             |                             |
|           | 50   | 0.75 | 60         | -    | 138        | 92995214                        | 92995500                          | 92995780                  | 15             |                             |
|           | 50   | 1.1  | 60         | 1.5  | 142        | 92999210                        | 92999218                          | 92999226                  | 15             |                             |

| Pump size | Pole | Hz | P2<br>[kW] | Hz | P2<br>[kW] | Actual<br>impeller trim<br>[mm] | Pump material code                |                           |                | Impeller bore,<br>d<br>[mm] |
|-----------|------|----|------------|----|------------|---------------------------------|-----------------------------------|---------------------------|----------------|-----------------------------|
|           |      |    |            |    |            |                                 | S3, S4, S5, SB, SC,<br>SD, SI, SK | S8, S9, SG, SH, SJ,<br>SL | T2, T3, TA, TB |                             |
|           |      |    |            |    |            |                                 | Impeller material                 |                           |                |                             |
|           |      |    |            |    |            |                                 | 304 (1.4308)                      | 316 (1.4408)              | 904 (1.4517)   |                             |
| 50-225    | 2    | 50 | 5.5        | 60 | -          | 139                             | 92745171                          | 92745558                  | 92745939       | 30                          |
|           |      | 50 | 7.5        | 60 | -          | 151                             | 92843505                          | 92843509                  | 92843643       | 30                          |
|           |      | 50 | -          | 60 | 11         | 145                             | 92745170                          | 92745557                  | 92745938       | 30                          |
|           |      | 50 | -          | 60 | 15         | 159                             | 92745169                          | 92745556                  | 92745937       | 30                          |
|           |      | 50 | -          | 60 | 18.5       | 171                             | 92745168                          | 92745555                  | 92745936       | 30                          |
|           |      | 50 | -          | 60 | 22         | 181                             | 92745167                          | 92745554                  | 92745935       | 30                          |
|           |      | 50 | 15         | 60 | -          | 193                             | 92745166                          | 92745553                  | 92745934       | 30                          |
|           |      | 50 | 18.5       | 60 | -          | 208                             | 92745165                          | 92745552                  | 92745933       | 30                          |
|           |      | 50 | 22         | 60 | -          | 225                             | 92745164                          | 92745551                  | 92745932       | 30                          |
|           |      | 50 | 11         | 60 | -          | 172                             | 92526641                          | 92526653                  | 92553851       | 30                          |
|           | 4    | 50 | -          | 60 | 30         | 204                             | 92526639                          | 92526651                  | 92553849       | 30                          |
|           |      | 50 | -          | 60 | 37         | 220                             | 92843506                          | 92843640                  | 92843644       | 30                          |
|           |      | 50 | 30         | 60 | 45         | 240                             | 92526636                          | 92526648                  | 92553846       | 30                          |
|           |      | 50 | 0.75       | 60 | -          | 144                             | 92745178                          | 92745565                  | 92745946       | 22                          |
|           |      | 50 | 1.1        | 60 | -          | 160                             | 92745177                          | 92745564                  | 92745945       | 22                          |
|           |      | 50 | 1.5        | 60 | -          | 181                             | 92745176                          | 92745563                  | 92745944       | 22                          |
|           |      | 50 | -          | 60 | 3          | 184                             | 92745175                          | 92745562                  | 92745943       | 22                          |
|           |      | 50 | 2.2        | 60 | -          | 207                             | 92745174                          | 92745561                  | 92745942       | 22                          |
|           |      | 50 | -          | 60 | 4          | 210                             | 92745173                          | 92745560                  | 92745941       | 22                          |
|           |      | 50 | 3          | 60 | -          | 237                             | 92745172                          | 92745559                  | 92745940       | 22                          |
| 50-280    | 2    | 50 | -          | 60 | 1.5        | 148                             | 92526647                          | 92526659                  | 92553857       | 22                          |
|           |      | 50 | -          | 60 | 2.2        | 168                             | 92526646                          | 92526658                  | 92553856       | 22                          |
|           |      | 50 | 4          | 60 | 5.5        | 240                             | 92526644                          | 92526656                  | 92553854       | 22                          |
|           |      | 50 | -          | 60 | 22         | 189                             | 92995218                          | 92995504                  | 92995784       | 30                          |
|           |      | 50 | 15         | 60 | -          | 197                             | 92995219                          | 92995505                  | 92995785       | 30                          |
|           |      | 50 | -          | 60 | 30         | 206                             | 92995220                          | 92995506                  | 92995786       | 30                          |
|           |      | 50 | 18.5       | 60 | -          | 209                             | 92995221                          | 92995507                  | 92995787       | 30                          |
|           |      | 50 | 22         | 60 | -          | 219                             | 92995222                          | 92995508                  | 92995788       | 30                          |
|           |      | 50 | -          | 60 | 37         | 219                             | 92995222                          | 92995508                  | 92995788       | 30                          |
|           |      | 50 | -          | 60 | 45         | 232                             | 92995223                          | 92995509                  | 92995789       | 30                          |
| 50-350    | 4    | 50 | 30         | 60 | -          | 239                             | 92995224                          | 92995510                  | 92995790       | 30                          |
|           |      | 50 | -          | 60 | 55         | 251                             | 92995225                          | 92995511                  | 92995791       | 30                          |
|           |      | 50 | 37         | 60 | 75         | 262                             | 92995217                          | 92995503                  | 92995783       | 30                          |
|           |      | 50 | 2.2        | 60 | -          | 208                             | 92745183                          | 92745570                  | 92745951       | 22                          |
|           |      | 50 | -          | 60 | 4          | 210                             | 92745182                          | 92745569                  | 92745950       | 22                          |
|           |      | 50 | 3          | 60 | -          | 226                             | 92745181                          | 92745568                  | 92745949       | 22                          |
|           |      | 50 | -          | 60 | 5.5        | 227                             | 92745180                          | 92745567                  | 92745948       | 22                          |
|           |      | 50 | 4          | 60 | -          | 250                             | 92745179                          | 92745566                  | 92745947       | 22                          |
|           |      | 50 | -          | 60 | 7.5        | 252                             | 92526661                          | 92526665                  | 92553859       | 22                          |
|           |      | 50 | 5.5        | 60 | 11         | 262                             | 92526660                          | 92526664                  | 92553858       | 22                          |
| 50-350    | 4    | 50 | 4          | 60 | -          | 256                             | 92745188                          | 92745575                  | 92745956       | 30                          |
|           |      | 50 | 5.5        | 60 | -          | 278                             | 92745187                          | 92745574                  | 92745955       | 30                          |
|           |      | 50 | -          | 60 | 11         | 288                             | 92745186                          | 92745573                  | 92745954       | 30                          |
|           |      | 50 | 7.5        | 60 | -          | 304                             | 92745185                          | 92745572                  | 92745953       | 30                          |
|           |      | 50 | -          | 60 | 15         | 317                             | 92745184                          | 92745571                  | 92745952       | 30                          |
|           |      | 50 | 3          | 60 | 5.5        | 236                             | 92526672                          | 92526677                  | 92553888       | 30                          |
|           |      | 50 | -          | 60 | 7.5        | 258                             | 92526671                          | 92526676                  | 92553887       | 30                          |
|           |      | 50 | 11         | 60 | 18.5       | 340-336                         | 92526668                          | 92526673                  | 92553884       | 30                          |

| Pump size | Pole | Hz     | P2<br>[kW] | Hz   | P2<br>[kW] | Actual<br>impeller trim<br>[mm] | Pump material code                |                           |                | Impeller bore,<br>d<br>[mm] |
|-----------|------|--------|------------|------|------------|---------------------------------|-----------------------------------|---------------------------|----------------|-----------------------------|
|           |      |        |            |      |            |                                 | S3, S4, S5, SB, SC,<br>SD, SI, SK | S8, S9, SG, SH, SJ,<br>SL | T2, T3, TA, TB |                             |
|           |      |        |            |      |            |                                 | Impeller material                 |                           |                |                             |
|           |      |        |            |      |            |                                 | 304 (1.4308)                      | 316 (1.4408)              | 904 (1.4517)   |                             |
| 65-130    | 2    | 50     | 4          | 60   | -          | 117-107                         | 92995226                          | 92995512                  | 92995792       | 22                          |
|           |      | 50     | -          | 60   | 7.5        | 118-108                         | 92995227                          | 92995513                  | 92995793       | 22                          |
|           |      | 50     | 5.5        | 60   | -          | 124                             | 92995230                          | 92995516                  | 92995796       | 22                          |
|           |      | 50     | -          | 60   | 11         | 130                             | 92995232                          | 92995518                  | 92995798       | 22                          |
|           |      | 50     | 7.5        | 60   | -          | 136                             | 92995234                          | 92995520                  | 92995800       | 22                          |
|           |      | 50     | -          | 60   | 15         | 141                             | 92999214                          | 92999222                  | 92999230       | 22                          |
|           |      | 50     | 11         | 60   | 18.5       | 144                             | 92995236                          | 92995522                  | 92995802       | 22                          |
|           | 4    | 50     | 0.55       | 60   | -          | 119                             | 92995228                          | 92995514                  | 92995794       | 15                          |
|           |      | 50     | -          | 60   | 1.1        | 122                             | 92995229                          | 92995515                  | 92995795       | 15                          |
|           |      | 50     | 0.75       | 60   | -          | 128                             | 92995231                          | 92995517                  | 92995797       | 15                          |
|           |      | 50     | -          | 60   | 1.5        | 132                             | 92995233                          | 92995519                  | 92995799       | 15                          |
|           |      | 50     | 1.1        | 60   | -          | 141                             | 92995235                          | 92995521                  | 92995801       | 15                          |
|           |      | 50     | -          | 60   | 2.2        | 144                             | 92999215                          | 92999223                  | 92999231       | 15                          |
|           |      | 65-180 | 2          | 50   | 3          | 60                              | -                                 | 113                       | 92745194       | 92745581                    |
| 50        | 4    |        |            | 60   | -          | 124                             | 92745193                          | 92745580                  | 92745961       | 22                          |
| 50        | 5.5  |        |            | 60   | -          | 139                             | 92745192                          | 92745579                  | 92745960       | 22                          |
| 50        | 7.5  |        |            | 60   | -          | 154                             | 92745191                          | 92745578                  | 92745959       | 22                          |
| 50        | -    |        |            | 60   | 15         | 159                             | 92745190                          | 92745577                  | 92745958       | 22                          |
| 50        | 11   |        |            | 60   | 18.5       | 169                             | 92745189                          | 92745576                  | 92745957       | 22                          |
| 50        | -    |        |            | 60   | 5.5        | 116                             | 92526683                          | 92526694                  | 92553895       | 22                          |
| 4         | 50   |        | -          | 60   | 7.5        | 126                             | 92526682                          | 92526693                  | 92553893       | 22                          |
|           | 50   |        | -          | 60   | 11         | 144                             | 92526681                          | 92526692                  | 92553892       | 22                          |
|           | 50   |        | 15         | 60   | 22         | 172                             | 92526678                          | 92526689                  | 92553889       | 22                          |
|           | 50   |        | 0.55       | 60   | -          | 131                             | 92745200                          | 92745587                  | 92745968       | 15                          |
|           | 50   |        | -          | 60   | 1.1        | 133                             | 92745199                          | 92745586                  | 92745967       | 15                          |
|           | 50   |        | 0.75       | 60   | -          | 145                             | 92745198                          | 92745585                  | 92745966       | 15                          |
|           | 50   |        | -          | 60   | 1.5        | 149                             | 92745197                          | 92745584                  | 92745965       | 15                          |
| 4         | 50   | 1.1    | 60         | -    | 162        | 92745196                        | 92745583                          | 92745964                  | 15             |                             |
|           | 50   | -      | 60         | 2.2  | 166        | 92745195                        | 92745582                          | 92745963                  | 15             |                             |
|           | 50   | -      | 60         | 0.75 | 118        | 92526688                        | 92526699                          | 92553900                  | 15             |                             |
|           | 50   | 1.5    | 60         | 3    | 172        | 92526684                        | 92526695                          | 92553896                  | 15             |                             |

| Pump size | Pole   | Hz   | P2<br>[kW] | Hz  | P2<br>[kW] | Actual<br>impeller trim<br>[mm] | Pump material code                |                           |                | Impeller bore,<br>d<br>[mm] |
|-----------|--------|------|------------|-----|------------|---------------------------------|-----------------------------------|---------------------------|----------------|-----------------------------|
|           |        |      |            |     |            |                                 | S3, S4, S5, SB, SC,<br>SD, SI, SK | S8, S9, SG, SH, SJ,<br>SL | T2, T3, TA, TB |                             |
|           |        |      |            |     |            |                                 | Impeller material                 |                           |                |                             |
|           |        |      |            |     |            |                                 | 304 (1.4308)                      | 316 (1.4408)              | 904 (1.4517)   |                             |
| 65-225    | 2      | 50   | 11         | 60  | -          | 150                             | 92745209                          | 92745596                  | 92745977       | 30                          |
|           |        | 50   | -          | 60  | 22         | 161                             | 92745208                          | 92745595                  | 92745976       | 30                          |
|           |        | 50   | 15         | 60  | -          | 167                             | 92745207                          | 92745594                  | 92745975       | 30                          |
|           |        | 50   | -          | 60  | 30         | 181                             | 92745206                          | 92745593                  | 92745974       | 30                          |
|           |        | 50   | 18.5       | 60  | -          | 184                             | 92745205                          | 92745592                  | 92745973       | 30                          |
|           |        | 50   | -          | 60  | 37         | 199                             | 92745204                          | 92745591                  | 92745972       | 30                          |
|           |        | 50   | 22         | 60  | -          | 200                             | 92745203                          | 92745590                  | 92745971       | 30                          |
|           |        | 50   | -          | 60  | 45         | 216                             | 92745202                          | 92745589                  | 92745970       | 30                          |
|           |        | 50   | 30         | 60  | -          | 232                             | 92745201                          | 92745588                  | 92745969       | 30                          |
|           |        | 50   | -          | 60  | 18.5       | 152                             | 92526706                          | 92526720                  | 92553907       | 30                          |
|           |        | 50   | 37         | 60  | 55         | 242                             | 92526700                          | 92526714                  | 92553901       | 30                          |
|           |        | 50   | 1.1        | 60  | -          | 144                             | 92745215                          | 92745602                  | 92745983       | 22                          |
|           | 50     | 1.5  | 60         | -   | 158        | 92745214                        | 92745601                          | 92745982                  | 22             |                             |
|           | 50     | -    | 60         | 3   | 173        | 92745213                        | 92745600                          | 92745981                  | 22             |                             |
|           | 50     | 2.2  | 60         | -   | 183        | 92745212                        | 92745599                          | 92745980                  | 22             |                             |
|           | 4      | 50   | -          | 60  | 4          | 186                             | 92745211                          | 92745598                  | 92745979       | 22                          |
|           | 50     | 3    | 60         | -   | 211        | 92745210                        | 92745597                          | 92745978                  | 22             |                             |
|           | 50     | -    | 60         | 2.2 | 152        | 92526710                        | 92526724                          | 92553911                  | 22             |                             |
|           | 50     | -    | 60         | 5.5 | 214        | 92526708                        | 92526722                          | 92553909                  | 22             |                             |
|           | 50     | 4    | 60         | 7.5 | 242        | 92526707                        | 92526721                          | 92553908                  | 22             |                             |
|           | 50     | -    | 60         | 1.1 | 181        | 92745218                        | 92745606                          | 92745986                  | 22             |                             |
|           | 50     | 0.75 | 60         | -   | 193        | 92745217                        | 92745605                          | 92745985                  | 22             |                             |
|           | 50     | 1.1  | 60         | -   | 240        | 92745216                        | 92745603                          | 92745984                  | 22             |                             |
|           | 6      | 50   | -          | 60  | 0.75       | 154                             | 92526713                          | 92526727                  | 92553914       | 22                          |
|           | 50     | 0.55 | 60         | -   | 182        | 92526712                        | 92526726                          | 92553913                  | 22             |                             |
|           | 50     | -    | 60         | 1.5 | 208        | 92526711                        | 92526725                          | 92553912                  | 22             |                             |
|           | 50     | -    | 60         | 2.2 | 242        | 92526707                        | 92526721                          | 92553908                  | 22             |                             |
|           | 65-280 | 4    | 50         | 3   | 60         | -                               | 217                               | 92745221                  | 92745609       | 92745989                    |
| 50        |        |      | -          | 60  | 5.5        | 219                             | 92745220                          | 92745608                  | 92745988       | 30                          |
| 50        |        |      | 5.5        | 60  | -          | 270                             | 92745219                          | 92745607                  | 92745987       | 30                          |
| 50        |        |      | 4          | 60  | 7.5        | 240                             | 92526729                          | 92526734                  | 92553916       | 30                          |
| 50        |        |      | 7.5        | 60  | 11         | 280                             | 92526728                          | 92526733                  | 92553915       | 30                          |
| 50        |        |      | 0.75       | 60  | -          | 210                             | 92745226                          | 92745614                  | 92745994       | 30                          |
| 6         |        | 50   | 1.1        | 60  | -          | 237                             | 92745225                          | 92745613                  | 92745993       | 30                          |
|           |        | 50   | -          | 60  | 2.2        | 242                             | 92745224                          | 92745612                  | 92745992       | 30                          |
|           |        | 50   | 1.5        | 60  | -          | 258                             | 92745223                          | 92745611                  | 92745991       | 30                          |
|           |        | 50   | -          | 60  | 3          | 276                             | 92745222                          | 92745610                  | 92745990       | 30                          |
|           |        | 50   | -          | 60  | 1.5        | 214                             | 92526732                          | 92526737                  | 92553919       | 30                          |
|           |        | 50   | 2.2        | 60  | 4          | 280                             | 92526728                          | 92526733                  | 92553915       | 30                          |

| Pump size | Pole | Hz   | P2 [kW] | Hz   | P2 [kW] | Actual impeller trim [mm] | Pump material code             |                        |                | Impeller bore, d [mm] |    |
|-----------|------|------|---------|------|---------|---------------------------|--------------------------------|------------------------|----------------|-----------------------|----|
|           |      |      |         |      |         |                           | S3, S4, S5, SB, SC, SD, SI, SK | S8, S9, SG, SH, SJ, SL | T2, T3, TA, TB |                       |    |
|           |      |      |         |      |         |                           | Impeller material              |                        |                |                       |    |
|           |      |      |         |      |         |                           | 304 (1.4308)                   | 316 (1.4408)           | 904 (1.4517)   |                       |    |
| 80-180    | 2    | 50   | 4       | 60   | -       | 112                       | 92745233                       | 92745621               | 92746001       | 22                    |    |
|           |      | 50   | 5.5     | 60   | -       | 123                       | 92745232                       | 92745620               | 92746000       | 22                    |    |
|           |      | 50   | 7.5     | 60   | -       | 137                       | 92745231                       | 92745619               | 92745999       | 22                    |    |
|           |      | 50   | -       | 60   | 15      | 141                       | 92745230                       | 92745618               | 92745998       | 22                    |    |
|           |      | 50   | -       | 60   | 18.5    | 151                       | 92745229                       | 92745617               | 92745997       | 22                    |    |
|           |      | 50   | 11      | 60   | -       | 153                       | 92745228                       | 92745616               | 92745996       | 22                    |    |
|           |      | 50   | 15      | 60   | -       | 172                       | 92745227                       | 92745615               | 92745995       | 22                    |    |
|           |      | 50   | -       | 60   | 11      | 128                       | 92526742                       | 92526751               | 92553925       | 22                    |    |
|           |      | 50   | -       | 60   | 22      | 160                       | 92526739                       | 92526748               | 92553921       | 22                    |    |
|           |      | 50   | 18.5    | 60   | 30      | 174                       | 92526738                       | 92526747               | 92553920       | 22                    |    |
|           | 4    | 50   | 0.75    | 60   | -       | 128                       | 92745238                       | 92745626               | 92746006       | 15                    |    |
|           |      | 50   | -       | 60   | 1.5     | 131                       | 92745237                       | 92745625               | 92746005       | 15                    |    |
|           |      | 50   | 1.1     | 60   | -       | 145                       | 92745236                       | 92745624               | 92746004       | 15                    |    |
|           |      | 50   | 1.5     | 60   | -       | 165                       | 92745235                       | 92745623               | 92746003       | 15                    |    |
|           |      | 50   | -       | 60   | 3       | 170                       | 92745234                       | 92745622               | 92746002       | 15                    |    |
|           |      | 50   | -       | 60   | 1.1     | 120                       | 92526746                       | 92526755               | 92553929       | 15                    |    |
|           |      | 50   | -       | 60   | 2.2     | 148                       | 92526744                       | 92526753               | 92553927       | 15                    |    |
|           |      | 50   | 2.2     | 60   | 4       | 174                       | 92526743                       | 92526752               | 92553926       | 15                    |    |
|           |      | 2    | 50      | -    | 60      | 30                        | 154                            | 92745247               | 92745635       | 92746015              | 30 |
|           |      |      | 50      | 18.5 | 60      | -                         | 157                            | 92745246               | 92745634       | 92746014              | 30 |
| 50        | -    |      | 60      | 37   | 164     | 92745245                  | 92745633                       | 92746013               | 30             |                       |    |
| 50        | 22   |      | 60      | -    | 166     | 92745244                  | 92745632                       | 92746012               | 30             |                       |    |
| 50        | -    |      | 60      | 45   | 174     | 92745243                  | 92745631                       | 92746011               | 30             |                       |    |
| 50        | 30   |      | 60      | -    | 183     | 92745242                  | 92745630                       | 92746010               | 30             |                       |    |
| 50        | -    |      | 60      | 55   | 186     | 92745241                  | 92745629                       | 92746009               | 30             |                       |    |
| 50        | 37   |      | 60      | -    | 193     | 92745240                  | 92745628                       | 92746008               | 30             |                       |    |
| 50        | -    |      | 60      | 75   | 203     | 92745239                  | 92745627                       | 92746007               | 30             |                       |    |
| 50        | 45   |      | 60      | -    | 205     | 92526757                  | 92526769                       | 92553931               | 30             |                       |    |
| 80-225    | 4    | 50   | 55      | 60   | 90      | 225                       | 92526756                       | 92526768               | 92553930       | 30                    |    |
|           |      | 50   | 1.5     | 60   | -       | 139                       | 92843507                       | 92843641               | 92843645       | 22                    |    |
|           |      | 50   | 2.2     | 60   | -       | 156                       | 92745251                       | 92745639               | 92746019       | 22                    |    |
|           |      | 50   | -       | 60   | 4       | 157                       | 92745250                       | 92745638               | 92746018       | 22                    |    |
|           |      | 50   | 4       | 60   | -       | 190                       | 92745249                       | 92745637               | 92746017       | 22                    |    |
|           |      | 50   | 5.5     | 60   | -       | 205                       | 92745248                       | 92745636               | 92746016       | 22                    |    |
|           |      | 50   | 3       | 60   | 5.5     | 171                       | 92526764                       | 92526776               | 92553938       | 22                    |    |
|           |      | 50   | -       | 60   | 7.5     | 191                       | 92526763                       | 92526775               | 92553937       | 22                    |    |
|           |      | 50   | 7.5     | 60   | 11      | 225                       | 92526762                       | 92526774               | 92553936       | 22                    |    |
|           |      | 50   | -       | 60   | 1.1     | 152                       | 92745256                       | 92745644               | 92746024       | 22                    |    |
| 6         | 50   | 0.75 | 60      | -    | 165     | 92745255                  | 92745643                       | 92746023               | 22             |                       |    |
|           | 50   | 1.1  | 60      | -    | 187     | 92745254                  | 92745642                       | 92746022               | 22             |                       |    |
|           | 50   | 1.5  | 60      | -    | 202     | 92745253                  | 92745641                       | 92746021               | 22             |                       |    |
|           | 50   | -    | 60      | 3    | 215     | 92745252                  | 92745640                       | 92746020               | 22             |                       |    |
|           | 50   | -    | 60      | 1.5  | 167     | 92526766                  | 92526778                       | 92553940               | 22             |                       |    |
|           | 50   | -    | 60      | 2.2  | 191     | 92526763                  | 92526775                       | 92553937               | 22             |                       |    |
|           | 50   | 2.2  | 60      | -    | 225     | 92526762                  | 92526774                       | 92553936               | 22             |                       |    |

| Pump size | Pole | Hz | P2<br>[kW] | Hz  | P2<br>[kW] | Actual<br>impeller trim<br>[mm] | Pump material code                |                           |                | Impeller bore,<br>d<br>[mm] |
|-----------|------|----|------------|-----|------------|---------------------------------|-----------------------------------|---------------------------|----------------|-----------------------------|
|           |      |    |            |     |            |                                 | S3, S4, S5, SB, SC,<br>SD, SI, SK | S8, S9, SG, SH, SJ,<br>SL | T2, T3, TA, TB |                             |
|           |      |    |            |     |            |                                 | Impeller material                 |                           |                |                             |
|           |      |    |            |     |            |                                 | 304 (1.4308)                      | 316 (1.4408)              | 904 (1.4517)   |                             |
| 80-280    | 4    | 50 | -          | 60  | 11         | 247-239                         | 92745260                          | 92745648                  | 92746028       | 30                          |
|           |      | 50 | 4          | 60  | -          | 214-206                         | 92745259                          | 92745647                  | 92746027       | 30                          |
|           |      | 50 | 5.5        | 60  | -          | 231-223                         | 92745258                          | 92745646                  | 92746026       | 30                          |
|           |      | 50 | 7.5        | 60  | -          | 257-249                         | 92745257                          | 92745645                  | 92746025       | 30                          |
|           |      | 50 | -          | 60  | 7.5        | 216-208                         | 92526782                          | 92526787                  | 92553944       | 30                          |
|           |      | 50 | 11         | 60  | 15         | 278-270                         | 92526780                          | 92526785                  | 92553942       | 30                          |
|           |      | 50 | 1.1        | 60  | -          | 207-199                         | 92745266                          | 92745654                  | 92746086       | 30                          |
|           | 6    | 50 | -          | 60  | 2.2        | 216-208                         | 92745265                          | 92745653                  | 92746085       | 30                          |
|           |      | 50 | 1.5        | 60  | -          | 226-218                         | 92745264                          | 92745652                  | 92746084       | 30                          |
|           |      | 50 | -          | 60  | 3          | 235-227                         | 92745263                          | 92745651                  | 92746083       | 30                          |
|           |      | 50 | 2.2        | 60  | -          | 267-259                         | 92745262                          | 92745650                  | 92746082       | 30                          |
|           |      | 50 | -          | 60  | 4          | 273-265                         | 92745261                          | 92745649                  | 92746081       | 30                          |
|           |      | 50 | 3          | 60  | 5.5        | 278-270                         | 92526780                          | 92526785                  | 92553942       | 30                          |
|           |      | 50 | 5.5        | 60  | -          | 219                             | 92745273                          | 92745661                  | 92746103       | 30                          |
| 80-350    | 4    | 50 | 7.5        | 60  | -          | 243                             | 92745272                          | 92745660                  | 92746102       | 30                          |
|           |      | 50 | -          | 60  | 15         | 250                             | 92745271                          | 92745659                  | 92746101       | 30                          |
|           |      | 50 | -          | 60  | 18.5       | 268                             | 92745270                          | 92745658                  | 92746100       | 30                          |
|           |      | 50 | 11         | 60  | -          | 271                             | 92745269                          | 92745657                  | 92746089       | 30                          |
|           |      | 50 | -          | 60  | 22         | 284                             | 92745268                          | 92745656                  | 92746088       | 30                          |
|           |      | 50 | 15         | 60  | -          | 299                             | 92745267                          | 92745655                  | 92746087       | 30                          |
|           |      | 50 | -          | 60  | 11         | 228                             | 92526804                          | 92526811                  | 92553951       | 30                          |
|           | 6    | 50 | 18.5       | 60  | 30         | 328                             | 92526800                          | 92526807                  | 92553947       | 30                          |
|           |      | 50 | 2.2        | 60  | -          | 240                             | 92745278                          | 92745666                  | 92746108       | 30                          |
|           |      | 50 | -          | 60  | 4          | 242                             | 92745277                          | 92745665                  | 92746107       | 30                          |
|           |      | 50 | 3          | 60  | -          | 264                             | 92745276                          | 92745664                  | 92746106       | 30                          |
|           |      | 50 | 4          | 60  | -          | 293                             | 92745275                          | 92745663                  | 92746105       | 30                          |
|           |      | 50 | -          | 60  | 7.5        | 297                             | 92745274                          | 92745662                  | 92746104       | 30                          |
|           |      | 50 | -          | 60  | 5.5        | 268                             | 92526806                          | 92526813                  | 92553953       | 30                          |
| 50        | 5.5  | 60 | 11         | 328 | 92526800   | 92526807                        | 92553947                          | 30                        |                |                             |

| Pump size | Pole    | Hz   | P2 [kW] | Hz   | P2 [kW]  | Actual impeller trim [mm] | Pump material code             |                        |                | Impeller bore, d [mm] |    |
|-----------|---------|------|---------|------|----------|---------------------------|--------------------------------|------------------------|----------------|-----------------------|----|
|           |         |      |         |      |          |                           | S3, S4, S5, SB, SC, SD, SI, SK | S8, S9, SG, SH, SJ, SL | T2, T3, TA, TB |                       |    |
|           |         |      |         |      |          |                           | Impeller material              |                        |                |                       |    |
|           |         |      |         |      |          |                           | 304 (1.4308)                   | 316 (1.4408)           | 904 (1.4517)   |                       |    |
| 100-180   | 2       | 50   | 7.5     | 60   | -        | 126                       | 92745283                       | 92745671               | 92746113       | 22                    |    |
|           |         | 50   | 11      | 60   | -        | 141                       | 92745282                       | 92745670               | 92746112       | 22                    |    |
|           |         | 50   | 15      | 60   | -        | 153                       | 92745281                       | 92745669               | 92746111       | 22                    |    |
|           |         | 50   | -       | 60   | 30       | 159                       | 92745280                       | 92745668               | 92746110       | 22                    |    |
|           |         | 50   | 18.5    | 60   | -        | 167                       | 92745279                       | 92745667               | 92746109       | 22                    |    |
|           |         | 50   | -       | 60   | 15       | 130                       | 92526819                       | 92526831               | 92553958       | 22                    |    |
|           |         | 50   | -       | 60   | 18.5     | 140                       | 92526818                       | 92526830               | 92553957       | 22                    |    |
|           |         | 50   | -       | 60   | 22       | 146                       | 92526817                       | 92526829               | 92553956       | 22                    |    |
|           | 50      | 22   | 60      | 37   | 172      | 92526814                  | 92526827                       | 92553954               | 22             |                       |    |
|           | 50      | 1.1  | 60      | -    | 138-130  | 92745289                  | 92745677                       | 92746119               | 22             |                       |    |
|           | 50      | -    | 60      | 2.2  | 138      | 92745288                  | 92745676                       | 92746118               | 22             |                       |    |
|           | 50      | 1.5  | 60      | -    | 146      | 92745287                  | 92745675                       | 92746117               | 22             |                       |    |
|           | 50      | -    | 60      | 3    | 152      | 92745286                  | 92745674                       | 92746116               | 22             |                       |    |
|           | 50      | 2.2  | 60      | -    | 161      | 92745285                  | 92745673                       | 92746115               | 22             |                       |    |
|           | 50      | -    | 60      | 4    | 163      | 92745284                  | 92745672                       | 92746114               | 22             |                       |    |
|           | 50      | -    | 60      | 1.5  | 130-110  | 92526823                  | 92526835                       | 92553962               | 22             |                       |    |
|           | 50      | 3    | 60      | 5.5  | 174      | 92526820                  | 92526832                       | 92553959               | 22             |                       |    |
|           | 50      | -    | 60      | 0.75 | 139      | 92745292                  | 92745680                       | 92746122               | 22             |                       |    |
|           | 50      | 0.55 | 60      | -    | 159      | 92745291                  | 92745679                       | 92746121               | 22             |                       |    |
|           | 50      | 0.75 | 60      | -    | 173      | 92745290                  | 92745678                       | 92746120               | 22             |                       |    |
|           | 50      | -    | 60      | 0.55 | 130-122  | 92526826                  | 92526838                       | 92553965               | 22             |                       |    |
|           | 50      | 0.37 | 60      | -    | 140      | 92526825                  | 92526837                       | 92553964               | 22             |                       |    |
|           | 50      | -    | 60      | 1.1  | 156      | 92526824                  | 92526836                       | 92553963               | 22             |                       |    |
|           | 50      | 1.1  | 60      | 1.5  | 174      | 92526820                  | 92526832                       | 92553959               | 22             |                       |    |
|           | 100-225 | 2    | 50      | 22   | 60       | -                         | 156                            | 92745311               | 92745689       | 92746131              | 30 |
|           |         |      | 50      | -    | 60       | 45                        | 163                            | 92745310               | 92745688       | 92746130              | 30 |
|           |         |      | 50      | 30   | 60       | -                         | 172                            | 92745299               | 92745687       | 92746129              | 30 |
|           |         |      | 50      | -    | 60       | 55                        | 175                            | 92745298               | 92745686       | 92746128              | 30 |
| 50        |         |      | 37      | 60   | -        | 185                       | 92745297                       | 92745685               | 92746127       | 30                    |    |
| 50        |         |      | -       | 60   | 75       | 195                       | 92745296                       | 92745684               | 92746126       | 30                    |    |
| 50        |         |      | 45      | 60   | -        | 197                       | 92745295                       | 92745683               | 92746125       | 30                    |    |
| 50        |         |      | 55      | 60   | -        | 215                       | 92745294                       | 92745682               | 92746124       | 30                    |    |
| 50        |         | 75   | 60      | -    | 238      | 92745293                  | 92745681                       | 92746123               | 30             |                       |    |
| 50        |         | -    | 60      | 90   | 212      | 92526839                  | 92526849                       | 92553966               | 30             |                       |    |
| 50        |         | 4    | 60      | 7.5  | 181      | 92843508                  | 92843642                       | 92843646               | 22             |                       |    |
| 50        |         | -    | 60      | 5.5  | 161      | 92745316                  | 92745694                       | 92746136               | 22             |                       |    |
| 50        |         | -    | 60      | -    | 191      | 92745315                  | 92745693                       | 92746135               | 22             |                       |    |
| 50        |         | 5.5  | 60      | -    | 204      | 92745314                  | 92745692                       | 92746134               | 22             |                       |    |
| 50        |         | -    | 60      | 11   | 210      | 92745313                  | 92745691                       | 92746133               | 22             |                       |    |
| 50        |         | 7.5  | 60      | -    | 235      | 92745312                  | 92745690                       | 92746132               | 22             |                       |    |
| 50        |         | 3    | 60      | -    | 162      | 92526846                  | 92526866                       | 92553983               | 22             |                       |    |
| 50        |         | -    | 60      | 15   | 238      | 92526843                  | 92526863                       | 92553980               | 22             |                       |    |
| 50        |         | -    | 60      | 1.5  | 158      | 92745321                  | 92745699                       | 92746141               | 22             |                       |    |
| 50        |         | 1.1  | 60      | -    | 177      | 92745320                  | 92745698                       | 92746140               | 22             |                       |    |
| 50        | 1.5     | 60   | -       | 198  | 92745319 | 92745697                  | 92746139                       | 22                     |                |                       |    |
| 50        | -       | 60   | 3       | 210  | 92745318 | 92745696                  | 92746138                       | 22                     |                |                       |    |
| 50        | 2.2     | 60   | -       | 236  | 92745317 | 92745695                  | 92746137                       | 22                     |                |                       |    |
| 50        | -       | 60   | 2.2     | 180  | 92526845 | 92526865                  | 92553982                       | 22                     |                |                       |    |
| 50        | 3       | 60   | 4       | 238  | 92526843 | 92526863                  | 92553980                       | 22                     |                |                       |    |

| Pump size | Pole | Hz      | P2<br>[kW] | Hz  | P2<br>[kW] | Actual<br>impeller trim<br>[mm] | Pump material code                |                           |                | Impeller bore,<br>d<br>[mm] |          |    |
|-----------|------|---------|------------|-----|------------|---------------------------------|-----------------------------------|---------------------------|----------------|-----------------------------|----------|----|
|           |      |         |            |     |            |                                 | S3, S4, S5, SB, SC,<br>SD, SI, SK | S8, S9, SG, SH, SJ,<br>SL | T2, T3, TA, TB |                             |          |    |
|           |      |         |            |     |            |                                 | Impeller material                 |                           |                |                             |          |    |
|           |      |         |            |     |            |                                 | 304 (1.4308)                      | 316 (1.4408)              | 904 (1.4517)   |                             |          |    |
| 100-280   | 4    | 50      | 5.5        | 60  | -          | 196                             | 92745325                          | 92745703                  | 92746145       | 30                          |          |    |
|           |      | 50      | -          | 60  | 11         | 204                             | 92745324                          | 92745702                  | 92746144       | 30                          |          |    |
|           |      | 50      | 7.5        | 60  | -          | 215                             | 92745323                          | 92745701                  | 92746143       | 30                          |          |    |
|           |      | 50      | -          | 60  | 18.5       | 238                             | 92745322                          | 92745700                  | 92746142       | 30                          |          |    |
|           |      | 50      | -          | 60  | 15         | 222                             | 92526871                          | 92526878                  | 92553988       | 30                          |          |    |
|           |      | 50      | 11         | 60  | -          | 240                             | 92526870                          | 92526877                  | 92553987       | 30                          |          |    |
|           |      | 50      | 15         | 60  | 22         | 256                             | 92526869                          | 92526876                  | 92553986       | 30                          |          |    |
|           | 6    | 50      | -          | 60  | 2.2        | 181                             | 92745332                          | 92745710                  | 92746152       | 30                          |          |    |
|           |      | 50      | 1.5        | 60  | -          | 194                             | 92745331                          | 92745709                  | 92746151       | 30                          |          |    |
|           |      | 50      | -          | 60  | 3          | 200                             | 92745330                          | 92745708                  | 92746150       | 30                          |          |    |
|           |      | 50      | -          | 60  | 4          | 217                             | 92745329                          | 92745707                  | 92746149       | 30                          |          |    |
|           |      | 50      | 2.2        | 60  | -          | 218                             | 92745328                          | 92745706                  | 92746148       | 30                          |          |    |
|           |      | 50      | 3          | 60  | -          | 234                             | 92745327                          | 92745705                  | 92746147       | 30                          |          |    |
|           |      | 50      | -          | 60  | 5.5        | 236                             | 92745326                          | 92745704                  | 92746146       | 30                          |          |    |
|           |      | 50      | 4          | 60  | 7.5        | 256                             | 92526869                          | 92526876                  | 92553986       | 30                          |          |    |
|           |      | 100-350 | 4          | 50  | 7.5        | 60                              | -                                 | 224                       | 92745340       | 92745718                    | 92746160 | 30 |
|           |      |         |            | 50  | -          | 60                              | 15                                | 235                       | 92745339       | 92745717                    | 92746159 | 30 |
|           |      |         |            | 50  | -          | 60                              | 18.5                              | 259                       | 92745338       | 92745716                    | 92746158 | 30 |
|           |      |         |            | 50  | 11         | 60                              | -                                 | 261                       | 92745337       | 92745715                    | 92746157 | 30 |
|           |      |         |            | 50  | -          | 60                              | 22                                | 276                       | 92745336       | 92745714                    | 92746156 | 30 |
| 50        | 15   |         |            | 60  | -          | 290                             | 92745335                          | 92745713                  | 92746155       | 30                          |          |    |
| 50        | -    |         |            | 60  | 30         | 302                             | 92745334                          | 92745712                  | 92746154       | 30                          |          |    |
| 6         | 50   |         | 18.5       | 60  | -          | 308                             | 92745333                          | 92745711                  | 92746153       | 30                          |          |    |
|           | 50   |         | 22         | 60  | 37         | 326                             | 92526883                          | 92526892                  | 92553993       | 30                          |          |    |
|           | 50   |         | -          | 60  | 3          | 212                             | 92745348                          | 92745726                  | 92746168       | 30                          |          |    |
|           | 50   |         | 2.2        | 60  | -          | 224                             | 92745347                          | 92745725                  | 92746167       | 30                          |          |    |
|           | 50   |         | -          | 60  | 4          | 229                             | 92745346                          | 92745724                  | 92746166       | 30                          |          |    |
|           | 50   |         | 3          | 60  | -          | 251                             | 92745345                          | 92745723                  | 92746165       | 30                          |          |    |
|           | 50   |         | -          | 60  | 5.5        | 256                             | 92745344                          | 92745722                  | 92746164       | 30                          |          |    |
|           | 50   |         | 4          | 60  | -          | 279                             | 92745343                          | 92745721                  | 92746163       | 30                          |          |    |
|           | 50   |         | 5.5        | 60  | -          | 307                             | 92745342                          | 92745720                  | 92746162       | 30                          |          |    |
|           | 50   |         | 7.5        | 60  | -          | 326                             | 92745341                          | 92745719                  | 92746161       | 30                          |          |    |
| 50        | -    | 60      | 7.5        | 284 | 92526889   | 92526898                        | 92554000                          | 30                        |                |                             |          |    |
| 50        | -    | 60      | 11         | 320 | 92526888   | 92526897                        | 92553999                          | 30                        |                |                             |          |    |



| Pump size | Pole | Hz   | P2 [kW] | Hz   | P2 [kW] | Actual impeller trim [mm] | Pump material code             |                        |                | Impeller bore, d [mm] |
|-----------|------|------|---------|------|---------|---------------------------|--------------------------------|------------------------|----------------|-----------------------|
|           |      |      |         |      |         |                           | S3, S4, S5, SB, SC, SD, SI, SK | S8, S9, SG, SH, SJ, SL | T2, T3, TA, TB |                       |
|           |      |      |         |      |         |                           | Impeller material              |                        |                |                       |
|           |      |      |         |      |         |                           | 304 (1.4308)                   | 316 (1.4408)           | 904 (1.4517)   |                       |
| 100-380   | 4    | 50   | -       | 60   | 37      | 310                       | 92745358                       | 92745737               | 92746178       | 38                    |
|           |      | 50   | 22      | 60   | -       | 313                       | 92745357                       | 92745736               | 92746177       | 38                    |
|           |      | 50   | -       | 60   | 45      | 328                       | 92745356                       | 92745735               | 92746176       | 38                    |
|           |      | 50   | 30      | 60   | -       | 341                       | 92745355                       | 92745734               | 92746175       | 38                    |
|           |      | 50   | -       | 60   | 55      | 352                       | 92745354                       | 92745733               | 92746174       | 38                    |
|           |      | 50   | 37      | 60   | -       | 367                       | 92745353                       | 92745731               | 92746173       | 38                    |
|           |      | 50   | -       | 60   | 75      | 386                       | 92745352                       | 92745730               | 92746172       | 38                    |
|           |      | 50   | 45      | 60   | -       | 390                       | 92745351                       | 92745729               | 92746171       | 38                    |
|           |      | 50   | -       | 60   | 90      | 408                       | 92745350                       | 92745728               | 92746170       | 38                    |
|           |      | 50   | 55      | 60   | -       | 415                       | 92745349                       | 92745727               | 92746169       | 38                    |
|           | 50   | 75   | 60      | 110  | 426     | 92526902                  | 92526913                       | 92554003               | 38             |                       |
|           | 6    | 50   | 5.5     | 60   | -       | 300                       | 92745367                       | 92745747               | 92746188       | 38                    |
|           |      | 50   | -       | 60   | 11      | 304                       | 92745366                       | 92745746               | 92746187       | 38                    |
|           |      | 50   | 7.5     | 60   | -       | 329                       | 92745365                       | 92745744               | 92746186       | 38                    |
|           |      | 50   | -       | 60   | 15      | 340                       | 92745364                       | 92745743               | 92746185       | 38                    |
|           |      | 50   | -       | 60   | 18.5    | 368                       | 92745363                       | 92745742               | 92746184       | 38                    |
|           |      | 50   | 11      | 60   | -       | 372                       | 92745362                       | 92745741               | 92746183       | 38                    |
|           |      | 50   | -       | 60   | 22      | 388                       | 92745361                       | 92745740               | 92746182       | 38                    |
|           |      | 50   | 15      | 60   | -       | 408                       | 92745360                       | 92745739               | 92746181       | 38                    |
|           |      | 50   | 18.5    | 60   | 30      | 426                       | 92745359                       | 92745738               | 92746180       | 38                    |
| 125-180   |      | 2    | 50      | 11   | 60      | -                         | 144-116                        | 92745371               | 92745751       | 92746192              |
|           | 50   |      | 15      | 60   | -       | 152-148                   | 92745370                       | 92745750               | 92746191       | 22                    |
|           | 50   |      | 18.5    | 60   | -       | 160                       | 92745369                       | 92745749               | 92746190       | 22                    |
|           | 50   |      | 22      | 60   | -       | 166                       | 92745368                       | 92745748               | 92746189       | 22                    |
|           | 50   |      | -       | 60   | 18.5    | 142-114                   | 92526929                       | 92526942               | 92554019       | 22                    |
|           | 50   |      | -       | 60   | 22      | 152-124                   | 92526928                       | 92526941               | 92554018       | 22                    |
|           | 50   |      | -       | 60   | 30      | 154                       | 92526927                       | 92526940               | 92554017       | 22                    |
|           | 50   |      | -       | 60   | 37      | 164                       | 92526926                       | 92526939               | 92554016       | 22                    |
|           | 50   |      | -       | 60   | 45      | 172                       | 92526925                       | 92526938               | 92554015       | 22                    |
|           | 50   |      | 30      | 60   | 55      | 176                       | 92526924                       | 92526937               | 92554014       | 22                    |
|           | 4    | 50   | -       | 60   | 3       | 152-138                   | 92745375                       | 92745755               | 92746196       | 22                    |
|           |      | 50   | 1.5     | 60   | -       | 152-136                   | 92745374                       | 92745754               | 92746195       | 22                    |
|           |      | 50   | 2.2     | 60   | 4       | 158                       | 92745373                       | 92745753               | 92746194       | 22                    |
|           |      | 50   | 3       | 60   | -       | 171                       | 92745372                       | 92745752               | 92746193       | 22                    |
|           |      | 50   | -       | 60   | 2.2     | 138-110                   | 92526934                       | 92526947               | 92554024       | 22                    |
|           |      | 50   | -       | 60   | 5.5     | 168                       | 92526932                       | 92526945               | 92554022       | 22                    |
|           |      | 50   | 4       | 60   | 7.5     | 176                       | 92526931                       | 92526944               | 92554021       | 22                    |
|           |      | 50   | -       | 60   | 0.75    | 142-114                   | 92745379                       | 92745760               | 92746201       | 22                    |
|           |      | 50   | 0.37    | 60   | -       | 152-146                   | 92745378                       | 92745758               | 92746199       | 22                    |
|           |      | 50   | 0.55    | 60   | -       | 164                       | 92745377                       | 92745757               | 92746198       | 22                    |
| 6         | 50   | 0.75 | 60      | -    | 166     | 92745376                  | 92745756                       | 92746197               | 22             |                       |
|           | 50   | -    | 60      | 0.55 | 134-106 | 92526936                  | 92526949                       | 92554026               | 22             |                       |
|           | 50   | -    | 60      | 1.1  | 154     | 92526933                  | 92526946                       | 92554023               | 22             |                       |
|           | 50   | -    | 60      | 1.5  | 168     | 92526932                  | 92526945                       | 92554022               | 22             |                       |
|           | 50   | 1.1  | 60      | 2.2  | 176     | 92526931                  | 92526944                       | 92554021               | 22             |                       |
|           | 50   | -    | 60      | 2.2  | 176     | 92526931                  | 92526944                       | 92554021               | 22             |                       |

| Pump size | Pole | Hz      | P2<br>[kW] | Hz  | P2<br>[kW] | Actual<br>impeller trim<br>[mm] | Pump material code                |                           |                | Impeller bore,<br>d<br>[mm] |          |    |
|-----------|------|---------|------------|-----|------------|---------------------------------|-----------------------------------|---------------------------|----------------|-----------------------------|----------|----|
|           |      |         |            |     |            |                                 | S3, S4, S5, SB, SC,<br>SD, SI, SK | S8, S9, SG, SH, SJ,<br>SL | T2, T3, TA, TB |                             |          |    |
|           |      |         |            |     |            |                                 | Impeller material                 |                           |                |                             |          |    |
|           |      |         |            |     |            |                                 | 304 (1.4308)                      | 316 (1.4408)              | 904 (1.4517)   |                             |          |    |
| 125-225   | 4    | 50      | 5.5        | 60  | -          | 179                             | 92745386                          | 92745766                  | 92746207       | 30                          |          |    |
|           |      | 50      | -          | 60  | 11         | 187                             | 92745385                          | 92745765                  | 92746206       | 30                          |          |    |
|           |      | 50      | 7.5        | 60  | -          | 197                             | 92745384                          | 92745764                  | 92746205       | 30                          |          |    |
|           |      | 50      | -          | 60  | 15         | 207                             | 92745383                          | 92745763                  | 92746204       | 30                          |          |    |
|           |      | 50      | -          | 60  | 18.5       | 221                             | 92745382                          | 92745762                  | 92746203       | 30                          |          |    |
|           |      | 50      | 11         | 60  | -          | 223                             | 92745381                          | 92745761                  | 92746202       | 30                          |          |    |
|           |      | 50      | -          | 60  | 7.5        | 174-154                         | 92542912                          | 92542918                  | 92554031       | 30                          |          |    |
|           |      | 50      | 15         | 60  | 22         | 232                             | 92526950                          | 92542914                  | 92554027       | 30                          |          |    |
|           |      | 50      | 1.5        | 60  | -          | 178                             | 92745391                          | 92745771                  | 92746212       | 30                          |          |    |
|           | 6    | 50      | -          | 60  | 3          | 186                             | 92745390                          | 92745770                  | 92746211       | 30                          |          |    |
|           |      | 50      | 2.2        | 60  | 4          | 202                             | 92745389                          | 92745769                  | 92746210       | 30                          |          |    |
|           |      | 50      | 3          | 60  | -          | 218                             | 92745388                          | 92745768                  | 92746209       | 30                          |          |    |
|           |      | 50      | -          | 60  | 5.5        | 220                             | 92745387                          | 92745767                  | 92746208       | 30                          |          |    |
|           |      | 50      | -          | 60  | 2.5        | 174-154                         | 92542912                          | 92542918                  | 92554031       | 30                          |          |    |
|           |      | 50      | 4          | 60  | 7.5        | 232                             | 92526950                          | 92542914                  | 92554027       | 30                          |          |    |
|           |      | 125-280 | 4          | 50  | 7.5        | 60                              | -                                 | 204                       | 92745396       | 92745777                    | 92746217 | 30 |
|           |      |         |            | 50  | -          | 60                              | 18.5                              | 229                       | 92745395       | 92745776                    | 92746216 | 30 |
|           |      |         |            | 50  | 11         | 60                              | -                                 | 232                       | 92745394       | 92745775                    | 92746215 | 30 |
| 50        | -    |         |            | 60  | 22         | 243                             | 92745393                          | 92745774                  | 92746214       | 30                          |          |    |
| 50        | 15   |         |            | 60  | -          | 256                             | 92745392                          | 92745772                  | 92746213       | 30                          |          |    |
| 6         | 50   |         | -          | 60  | 15         | 212                             | 92542923                          | 92542930                  | 92554037       | 30                          |          |    |
|           | 50   |         | 18.5       | 60  | 30         | 270                             | 92542920                          | 92542927                  | 92554033       | 30                          |          |    |
|           | 50   |         | 2.2        | 60  | -          | 205                             | 92745402                          | 92745783                  | 92746223       | 30                          |          |    |
|           | 50   |         | -          | 60  | 4          | 209                             | 92745401                          | 92745782                  | 92746222       | 30                          |          |    |
| 125-350   | 4    | 50      | -          | 60  | 5.5        | 225                             | 92745400                          | 92745781                  | 92746221       | 30                          |          |    |
|           |      | 50      | 3          | 60  | -          | 232                             | 92745399                          | 92745780                  | 92746220       | 30                          |          |    |
|           |      | 50      | 4          | 60  | -          | 251                             | 92745398                          | 92745779                  | 92746219       | 30                          |          |    |
|           |      | 50      | -          | 60  | 7.5        | 256                             | 92745397                          | 92745778                  | 92746218       | 30                          |          |    |
|           |      | 50      | 5.5        | 60  | 11         | 270                             | 92542920                          | 92542927                  | 92554033       | 30                          |          |    |
|           | 6    | 50      | -          | 60  | 18.5       | 224                             | 92745410                          | 92745792                  | 92746231       | 38                          |          |    |
|           |      | 50      | 11         | 60  | -          | 228                             | 92745409                          | 92745791                  | 92746230       | 38                          |          |    |
|           |      | 50      | -          | 60  | 22         | 239                             | 92745408                          | 92745790                  | 92746229       | 38                          |          |    |
|           |      | 50      | 15         | 60  | -          | 253                             | 92745407                          | 92745789                  | 92746228       | 38                          |          |    |
|           |      | 50      | -          | 60  | 30         | 268                             | 92745406                          | 92745788                  | 92746227       | 38                          |          |    |
| 125-350   | 4    | 50      | 18.5       | 60  | -          | 276                             | 92745405                          | 92745787                  | 92746226       | 38                          |          |    |
|           |      | 50      | 22         | 60  | -          | 289                             | 92745404                          | 92745785                  | 92746225       | 38                          |          |    |
|           |      | 50      | 30         | 60  | -          | 324                             | 92745403                          | 92745784                  | 92746224       | 38                          |          |    |
|           |      | 50      | -          | 60  | 37         | 287                             | 92542936                          | 92542945                  | 92554043       | 38                          |          |    |
|           |      | 50      | -          | 60  | 45         | 305                             | 92542935                          | 92542944                  | 92554042       | 38                          |          |    |
|           | 6    | 50      | 37         | 60  | 55         | 333-329                         | 92542934                          | 92542943                  | 92554041       | 38                          |          |    |
|           |      | 50      | 4          | 60  | -          | 247                             | 92745416                          | 92745798                  | 92746238       | 38                          |          |    |
|           |      | 50      | 5.5        | 60  | -          | 275                             | 92745415                          | 92745797                  | 92746237       | 38                          |          |    |
|           |      | 50      | -          | 60  | 11         | 286                             | 92745414                          | 92745796                  | 92746236       | 38                          |          |    |
|           |      | 50      | 7.5        | 60  | -          | 301                             | 92745413                          | 92745795                  | 92746235       | 38                          |          |    |
| 6         | 50   | -       | 60         | 15  | 316        | 92745412                        | 92745794                          | 92746234                  | 38             |                             |          |    |
|           | 50   | 11      | 60         | -   | 333-329    | 92745411                        | 92745793                          | 92746233                  | 38             |                             |          |    |
|           | 50   | -       | 60         | 7.5 | 249        | 92542942                        | 92542951                          | 92554049                  | 38             |                             |          |    |

| Pump size | Pole | Hz      | P2 [kW] | Hz  | P2 [kW]  | Actual impeller trim [mm] | Pump material code             |                        |                | Impeller bore, d [mm] |
|-----------|------|---------|---------|-----|----------|---------------------------|--------------------------------|------------------------|----------------|-----------------------|
|           |      |         |         |     |          |                           | S3, S4, S5, SB, SC, SD, SI, SK | S8, S9, SG, SH, SJ, SL | T2, T3, TA, TB |                       |
|           |      |         |         |     |          |                           | Impeller material              |                        |                |                       |
|           |      |         |         |     |          |                           | 304 (1.4308)                   | 316 (1.4408)           | 904 (1.4517)   |                       |
| 125-380   | 4    | 50      | 30      | 60  | -        | 283                       | 92745425                       | 92745806               | 92746246       | 38                    |
|           |      | 50      | -       | 60  | 55       | 296                       | 92745423                       | 92745805               | 92746245       | 38                    |
|           |      | 50      | 37      | 60  | -        | 307                       | 92745422                       | 92745804               | 92746244       | 38                    |
|           |      | 50      | 45      | 60  | -        | 333                       | 92745421                       | 92745803               | 92746243       | 38                    |
|           |      | 50      | -       | 60  | 90       | 355                       | 92745420                       | 92745802               | 92746242       | 38                    |
|           |      | 50      | 55      | 60  | -        | 360                       | 92745419                       | 92745801               | 92746241       | 38                    |
|           |      | 50      | 75      | 60  | -        | 405                       | 92745418                       | 92745800               | 92746240       | 38                    |
|           |      | 50      | 90      | 60  | -        | 410                       | 92745417                       | 92745799               | 92746239       | 38                    |
|           |      | 50      | -       | 60  | 75       | 330                       | 92542954                       | 92542963               | 92554052       | 38                    |
|           |      | 50      | -       | 60  | 110      | 380                       | 92542952                       | 92542961               | 92554050       | 38                    |
|           | 6    | 50      | -       | 60  | 18.5     | 309                       | 92745433                       | 92745814               | 92746254       | 38                    |
|           |      | 50      | 11      | 60  | -        | 314                       | 92745432                       | 92745813               | 92746253       | 38                    |
|           |      | 50      | -       | 60  | 22       | 331                       | 92745431                       | 92745812               | 92746252       | 38                    |
|           |      | 50      | 15      | 60  | -        | 349                       | 92745430                       | 92745811               | 92746251       | 38                    |
|           |      | 50      | -       | 60  | 30       | 367                       | 92745429                       | 92745810               | 92746250       | 38                    |
|           |      | 50      | 18.5    | 60  | -        | 380                       | 92745428                       | 92745809               | 92746249       | 38                    |
|           |      | 50      | -       | 60  | 37       | 397                       | 92745427                       | 92745808               | 92746248       | 38                    |
|           |      | 50      | 22      | 60  | -        | 406                       | 92745426                       | 92745807               | 92746247       | 38                    |
|           |      | 50      | 30      | 60  | 45       | 410                       | 92542956                       | 92542965               | 92554054       | 38                    |
|           |      | 150-225 | 4       | 50  | 5.5      | 60                        | -                              | 180                    | 92745440       | 92745821              |
| 50        | -    |         |         | 60  | 11       | 186                       | 92745439                       | 92745820               | 92746260       | 30                    |
| 50        | 7.5  |         |         | 60  | -        | 196                       | 92745438                       | 92745819               | 92746259       | 30                    |
| 50        | -    |         |         | 60  | 15       | 202                       | 92745437                       | 92745818               | 92746258       | 30                    |
| 50        | 11   |         |         | 60  | -        | 216                       | 92745436                       | 92745817               | 92746257       | 30                    |
| 6         | 50   |         | -       | 60  | 22       | 224                       | 92745435                       | 92745816               | 92746256       | 30                    |
|           | 50   |         | 15      | 60  | -        | 238                       | 92745434                       | 92745815               | 92746255       | 30                    |
|           | 50   |         | -       | 60  | 18.5     | 214                       | 92542972                       | 92542980               | 92554061       | 30                    |
|           | 50   |         | 18.5    | 60  | 30       | 242                       | 92542970                       | 92542978               | 92554059       | 30                    |
|           | 50   |         | 2.2     | 60  | -        | 198                       | 92745446                       | 92745827               | 92746268       | 30                    |
|           | 50   |         | -       | 60  | 4        | 199                       | 92745445                       | 92745826               | 92746267       | 30                    |
|           | 50   |         | 3       | 60  | -        | 212                       | 92745444                       | 92745825               | 92746266       | 30                    |
|           | 50   |         | -       | 60  | 5.5      | 213                       | 92745443                       | 92745824               | 92746264       | 30                    |
|           | 50   |         | 4       | 60  | -        | 233                       | 92745442                       | 92745823               | 92746263       | 30                    |
|           | 50   |         | -       | 60  | 7.5      | 235                       | 92745441                       | 92745822               | 92746262       | 30                    |
| 150-280   | 4    | 50      | 5.5     | 60  | 11       | 242                       | 92542970                       | 92542978               | 92554059       | 30                    |
|           |      | 50      | 11      | 60  | -        | 214                       | 92745453                       | 92745834               | 92746275       | 38                    |
|           |      | 50      | -       | 60  | 22       | 222                       | 92745452                       | 92745833               | 92746274       | 38                    |
|           |      | 50      | 15      | 60  | -        | 232                       | 92745451                       | 92745832               | 92746273       | 38                    |
|           |      | 50      | -       | 60  | 30       | 242                       | 92745450                       | 92745831               | 92746272       | 38                    |
|           | 6    | 50      | 18.5    | 60  | -        | 247                       | 92745449                       | 92745830               | 92746271       | 38                    |
|           |      | 50      | -       | 60  | 37       | 258                       | 92745448                       | 92745829               | 92746270       | 38                    |
|           |      | 50      | 22      | 60  | -        | 260                       | 92745447                       | 92745828               | 92746269       | 38                    |
|           |      | 50      | 30      | 60  | 45       | 273                       | 92542986                       | 92542992               | 92554067       | 38                    |
|           |      | 50      | 3       | 60  | -        | 210                       | 92745459                       | 92745840               | 92746281       | 38                    |
| 6         | 50   | -       | 60      | 5.5 | 212      | 92745458                  | 92745839                       | 92746280               | 38             |                       |
|           | 50   | 4       | 60      | -   | 229      | 92745457                  | 92745838                       | 92746279               | 38             |                       |
|           | 50   | -       | 60      | 7.5 | 232      | 92745456                  | 92745837                       | 92746278               | 38             |                       |
|           | 50   | 5.5     | 60      | -   | 251      | 92745455                  | 92745836                       | 92746277               | 38             |                       |
|           | 50   | -       | 60      | 11  | 258      | 92745454                  | 92745835                       | 92746276               | 38             |                       |
| 50        | 7.5  | 60      | 15      | 273 | 92542986 | 92542992                  | 92554067                       | 38                     |                |                       |

| Pump size | Pole | Hz | P2<br>[kW] | Hz | P2<br>[kW] | Actual<br>impeller trim<br>[mm] | Pump material code                |                           |                | Impeller bore,<br>d<br>[mm] |
|-----------|------|----|------------|----|------------|---------------------------------|-----------------------------------|---------------------------|----------------|-----------------------------|
|           |      |    |            |    |            |                                 | S3, S4, S5, SB, SC,<br>SD, SI, SK | S8, S9, SG, SH, SJ,<br>SL | T2, T3, TA, TB |                             |
|           |      |    |            |    |            |                                 | Impeller material                 |                           |                |                             |
|           |      |    |            |    |            |                                 | 304 (1.4308)                      | 316 (1.4408)              | 904 (1.4517)   |                             |
| 150-300   | 4    | 50 | -          | 60 | 37         | 266                             | 92994701                          | 92995237                  | 92995523       | 38                          |
|           |      | 50 | 22         | 60 | -          | 269                             | 92994702                          | 92995238                  | 92995524       | 38                          |
|           |      | 50 | -          | 60 | 45         | 280                             | 92994704                          | 92995240                  | 92995526       | 38                          |
|           |      | 50 | 30         | 60 | 55         | 289                             | 92994706                          | 92995242                  | 92995528       | 38                          |
|           |      | 50 | -          | 60 | 11         | 271                             | 92994703                          | 92995239                  | 92995525       | 38                          |
|           |      | 50 | 7.5        | 60 | -          | 281                             | 92994705                          | 92995241                  | 92995527       | 38                          |
|           | 6    | 50 | 11         | 60 | 15         | 289                             | 92994706                          | 92995242                  | 92995528       | 38                          |
|           |      | 50 | -          | 60 | 30         | 234                             | 92745467                          | 92745848                  | 92746289       | 38                          |
|           |      | 50 | 18.5       | 60 | -          | 238                             | 92745466                          | 92745847                  | 92746288       | 38                          |
|           |      | 50 | -          | 60 | 37         | 251                             | 92745465                          | 92745846                  | 92746287       | 38                          |
|           |      | 50 | 22         | 60 | -          | 254                             | 92745464                          | 92745845                  | 92746286       | 38                          |
|           |      | 50 | 30         | 60 | -          | 273                             | 92745463                          | 92745844                  | 92746285       | 38                          |
| 150-350   | 4    | 50 | -          | 60 | 55         | 284                             | 92745462                          | 92745843                  | 92746284       | 38                          |
|           |      | 50 | 37         | 60 | -          | 294                             | 92745461                          | 92745842                  | 92746283       | 38                          |
|           |      | 50 | 45         | 60 | -          | 318-314                         | 92745460                          | 92745841                  | 92746282       | 38                          |
|           |      | 50 | -          | 60 | 45         | 263                             | 92543001                          | 92543012                  | 92554076       | 38                          |
|           |      | 50 | -          | 60 | 75         | 311                             | 92542999                          | 92543010                  | 92554074       | 38                          |
|           |      | 50 | 55         | 60 | 90         | 328-324                         | 92542998                          | 92543009                  | 92554073       | 38                          |
|           | 6    | 50 | 4          | 60 | -          | 217                             | 92745476                          | 92745857                  | 92746299       | 38                          |
|           |      | 50 | 5.5        | 60 | -          | 240                             | 92745475                          | 92745856                  | 92746298       | 38                          |
|           |      | 50 | -          | 60 | 11         | 246                             | 92745474                          | 92745855                  | 92746296       | 38                          |
|           |      | 50 | 7.5        | 60 | -          | 264                             | 92745473                          | 92745854                  | 92746295       | 38                          |
|           |      | 50 | -          | 60 | 15         | 271                             | 92745472                          | 92745853                  | 92746294       | 38                          |
|           |      | 50 | -          | 60 | 18.5       | 292                             | 92745471                          | 92745852                  | 92746293       | 38                          |
| 150-380   | 4    | 50 | 11         | 60 | -          | 301                             | 92745470                          | 92745851                  | 92746292       | 38                          |
|           |      | 50 | -          | 60 | 22         | 313                             | 92745469                          | 92745850                  | 92746291       | 38                          |
|           |      | 50 | 15         | 60 | -          | 328-324                         | 92745468                          | 92745849                  | 92746290       | 38                          |
|           |      | 50 | -          | 60 | 7.5        | 221                             | 92543008                          | 92543019                  | 92554083       | 38                          |
|           |      | 50 | 55         | 60 | -          | 308                             | 92745484                          | 92745865                  | 92746307       | 44                          |
|           |      | 50 | -          | 60 | 110        | 327                             | 92745483                          | 92745864                  | 92746306       | 44                          |
|           | 6    | 50 | -          | 60 | 132        | 343                             | 92745482                          | 92745863                  | 92746305       | 44                          |
|           |      | 50 | 75         | 60 | -          | 350                             | 92745481                          | 92745862                  | 92746304       | 44                          |
|           |      | 50 | 90         | 60 | -          | 380                             | 92745480                          | 92745861                  | 92746303       | 44                          |
|           |      | 50 | -          | 60 | 160        | 384                             | 92745479                          | 92745860                  | 92746302       | 44                          |
|           |      | 50 | 110        | 60 | -          | 409                             | 92745478                          | 92745859                  | 92746301       | 44                          |
|           |      | 50 | 132        | 60 | -          | 430                             | 92745477                          | 92745858                  | 92746300       | 44                          |
| 150-380   | 4    | 50 | -          | 60 | 90         | 304                             | 92543023                          | 92543031                  | 92554087       | 44                          |
|           |      | 50 | -          | 60 | 185        | 402                             | 92543020                          | 92543028                  | 92554084       | 44                          |
|           |      | 50 | 15         | 60 | -          | 300                             | 92745489                          | 92745870                  | 92746312       | 44                          |
|           |      | 50 | 18.5       | 60 | -          | 329                             | 92745488                          | 92745869                  | 92746311       | 44                          |
|           |      | 50 | 22         | 60 | -          | 351                             | 92745487                          | 92745868                  | 92746310       | 44                          |
|           |      | 50 | -          | 60 | 45         | 377                             | 92745486                          | 92745867                  | 92746309       | 44                          |
|           | 6    | 50 | 30         | 60 | -          | 402                             | 92745485                          | 92745866                  | 92746308       | 44                          |
|           |      | 50 | -          | 60 | 30         | 316                             | 92543027                          | 92543035                  | 92554091       | 44                          |
|           |      | 50 | -          | 60 | 37         | 348                             | 92543026                          | 92543034                  | 92554090       | 44                          |
|           |      | 50 | -          | 60 | 55         | 408                             | 92557190                          | 92557191                  | 92557192       | 44                          |
|           |      | 50 | 37         | 60 | 75         | 430                             | 92543024                          | 92543032                  | 92554088       | 44                          |

| Pump size | Pole | Hz | P2 [kW] | Hz | P2 [kW] | Actual impeller trim [mm] | Pump material code             |                        |                | Impeller bore, d [mm] |
|-----------|------|----|---------|----|---------|---------------------------|--------------------------------|------------------------|----------------|-----------------------|
|           |      |    |         |    |         |                           | S3, S4, S5, SB, SC, SD, SI, SK | S8, S9, SG, SH, SJ, SL | T2, T3, TA, TB |                       |
|           |      |    |         |    |         |                           | Impeller material              |                        |                |                       |
|           |      |    |         |    |         |                           | 304 (1.4308)                   | 316 (1.4408)           | 904 (1.4517)   |                       |
| 200-300   | 4    | 50 | 30      | 60 | -       | 273                       | 92994708                       | 92995244               | 92995530       | 38                    |
|           |      | 50 | -       | 60 | 55      | 277                       | 92994709                       | 92995245               | 92995531       | 38                    |
|           |      | 50 | 37      | 60 | -       | 288                       | 92994980                       | 92995246               | 92995532       | 38                    |
|           |      | 50 | -       | 60 | 75      | 301                       | 92994981                       | 92995247               | 92995533       | 38                    |
|           |      | 50 | 45      | 60 | -       | 304                       | 92994982                       | 92995248               | 92995534       | 38                    |
|           | 6    | 50 | -       | 60 | 15      | 272                       | 92994707                       | 92995243               | 92995529       | 38                    |
|           |      | 50 | 11      | 60 | 18.5    | 288                       | 92994980                       | 92995246               | 92995532       | 38                    |
|           |      | 50 | 15      | 60 | 22      | 304                       | 92994982                       | 92995248               | 92995534       | 38                    |
|           |      | 50 | 22      | 60 | -       | 239                       | 92995003                       | 92995269               | 92995555       | 38                    |
|           |      | 50 | -       | 60 | 45      | 249                       | 92995005                       | 92995271               | 92995557       | 38                    |
| 200-350   | 4    | 50 | 30      | 60 | -       | 260                       | 92994983                       | 92995249               | 92995535       | 38                    |
|           |      | 50 | -       | 60 | 55      | 263                       | 92994985                       | 92995251               | 92995537       | 38                    |
|           |      | 50 | 37      | 60 | -       | 276                       | 92994986                       | 92995252               | 92995538       | 38                    |
|           |      | 50 | -       | 60 | 75      | 288                       | 92994988                       | 92995254               | 92995540       | 38                    |
|           |      | 50 | 45      | 60 | -       | 291                       | 92994989                       | 92995255               | 92995541       | 38                    |
|           |      | 50 | -       | 60 | 90      | 304                       | 92994992                       | 92995258               | 92995544       | 38                    |
|           |      | 50 | 55      | 60 | -       | 307                       | 92994993                       | 92995259               | 92995545       | 38                    |
|           |      | 50 | -       | 60 | 110     | 322                       | 92994995                       | 92995261               | 92995547       | 38                    |
|           |      | 50 | 75      | 60 | -       | 337                       | 92994998                       | 92995264               | 92995550       | 38                    |
|           |      | 50 | -       | 60 | 132     | 338                       | 92994999                       | 92995265               | 92995551       | 38                    |
|           | 6    | 50 | 90      | 60 | 160     | 341                       | 92995001                       | 92995267               | 92995553       | 38                    |
|           |      | 50 | 5.5     | 60 | -       | 228                       | 92995002                       | 92995268               | 92995554       | 38                    |
|           |      | 50 | -       | 60 | 11      | 240                       | 92995004                       | 92995270               | 92995556       | 38                    |
|           |      | 50 | 7.5     | 60 | -       | 251                       | 92995006                       | 92995272               | 92995558       | 38                    |
|           |      | 50 | -       | 60 | 15      | 262                       | 92994984                       | 92995250               | 92995536       | 38                    |
|           |      | 50 | 11      | 60 | 18.5    | 279                       | 92994987                       | 92995253               | 92995539       | 38                    |
|           |      | 50 | -       | 60 | 22      | 292                       | 92994990                       | 92995256               | 92995542       | 38                    |
|           |      | 50 | 15      | 60 | -       | 303                       | 92994991                       | 92995257               | 92995543       | 38                    |
|           |      | 50 | -       | 60 | 30      | 317                       | 92994994                       | 92995260               | 92995546       | 38                    |
|           |      | 50 | 18.5    | 60 | -       | 323                       | 92994996                       | 92995262               | 92995548       | 38                    |
| 6         | 50   | -  | 60      | 37 | 336     | 92994997                  | 92995263                       | 92995549               | 38             |                       |
|           | 50   | 22 | 60      | -  | 339     | 92995000                  | 92995266                       | 92995552               | 38             |                       |
|           | 50   | -  | 60      | 45 | 341     | 92995001                  | 92995267                       | 92995553               | 38             |                       |
|           | 50   | -  | 60      | 45 | 341     | 92995001                  | 92995267                       | 92995553               | 38             |                       |

| Pump size | Pole | Hz      | P2<br>[kW] | Hz  | P2<br>[kW] | Actual<br>impeller trim<br>[mm] | Pump material code                |                           |                | Impeller bore,<br>d<br>[mm] |
|-----------|------|---------|------------|-----|------------|---------------------------------|-----------------------------------|---------------------------|----------------|-----------------------------|
|           |      |         |            |     |            |                                 | S3, S4, S5, SB, SC,<br>SD, SI, SK | S8, S9, SG, SH, SJ,<br>SL | T2, T3, TA, TB |                             |
|           |      |         |            |     |            |                                 | Impeller material                 |                           |                |                             |
|           |      |         |            |     |            |                                 | 304 (1.4308)                      | 316 (1.4408)              | 904 (1.4517)   |                             |
| 200-380   | 4    | 50      | -          | 60  | 90         | 310                             | 92995009                          | 92995275                  | 92995561       | 44                          |
|           |      | 50      | 55         | 60  | -          | 314                             | 92995010                          | 92995276                  | 92995562       | 44                          |
|           |      | 50      | -          | 60  | 110        | 328                             | 92995012                          | 92995278                  | 92995564       | 44                          |
|           |      | 50      | 75         | 60  | -          | 346                             | 92995015                          | 92995281                  | 92995567       | 44                          |
|           |      | 50      | -          | 60  | 132        | 347                             | 92995016                          | 92995282                  | 92995568       | 44                          |
|           |      | 50      | 90         | 60  | -          | 368                             | 92995018                          | 92995284                  | 92995570       | 44                          |
|           |      | 50      | -          | 60  | 160        | 370                             | 92995020                          | 92995286                  | 92995572       | 44                          |
|           |      | 50      | -          | 60  | 185        | 397                             | 92995022                          | 92995288                  | 92995574       | 44                          |
|           |      | 50      | 110        | 60  | -          | 400                             | 92995023                          | 92995289                  | 92995575       | 44                          |
|           |      | 50      | 132        | 60  | 200        | 404                             | 92995025                          | 92995291                  | 92995577       | 44                          |
|           | 6    | 50      | -          | 60  | 22         | 298                             | 92995007                          | 92995273                  | 92995559       | 44                          |
|           |      | 50      | 15         | 60  | -          | 308                             | 92995008                          | 92995274                  | 92995560       | 44                          |
|           |      | 50      | -          | 60  | 30         | 323                             | 92995011                          | 92995277                  | 92995563       | 44                          |
|           |      | 50      | 18.5       | 60  | -          | 329                             | 92995013                          | 92995279                  | 92995565       | 44                          |
|           |      | 50      | -          | 60  | 37         | 345                             | 92995014                          | 92995280                  | 92995566       | 44                          |
|           |      | 50      | 22         | 60  | -          | 348                             | 92995017                          | 92995283                  | 92995569       | 44                          |
|           |      | 50      | -          | 60  | 45         | 369                             | 92995019                          | 92995285                  | 92995571       | 44                          |
|           |      | 50      | 30         | 60  | -          | 393                             | 92995021                          | 92995287                  | 92995573       | 44                          |
|           |      | 50      | -          | 60  | 55         | 401                             | 92995024                          | 92995290                  | 92995576       | 44                          |
|           |      | 200-500 | 4          | 50  | -          | 60                              | 220                               | 418                       | 92995027       | 92995293                    |
| 50        | 132  |         |            | 60  | -          | 422                             | 92995029                          | 92995295                  | 92995581       | 50                          |
| 50        | -    |         |            | 60  | 250        | 435                             | 92995030                          | 92995296                  | 92995582       | 50                          |
| 50        | 160  |         |            | 60  | -          | 449                             | 92995033                          | 92995299                  | 92995585       | 50                          |
| 50        | -    |         |            | 60  | 280        | 451                             | 92995034                          | 92995300                  | 92995586       | 50                          |
| 50        | -    |         |            | 60  | 315        | 467                             | 92995036                          | 92995302                  | 92995588       | 50                          |
| 50        | 185  |         |            | 60  | -          | 468                             | 92995037                          | 92995303                  | 92995589       | 50                          |
| 50        | 200  |         |            | 60  | -          | 477                             | 92995039                          | 92995305                  | 92995591       | 50                          |
| 50        | -    |         |            | 60  | 355        | 490                             | 92995040                          | 92995306                  | 92995592       | 50                          |
| 50        | 220  |         |            | 60  | -          | 497                             | 92995041                          | 92995307                  | 92995593       | 50                          |
| 6         | 50   |         | -          | 60  | 375        | 504                             | 92995043                          | 92995309                  | 92995595       | 50                          |
|           | 50   |         | 250        | 60  | -          | 516                             | 92995044                          | 92995310                  | 92995596       | 50                          |
|           | 50   |         | 280        | 60  | -          | 530                             | 92995047                          | 92995313                  | 92995599       | 50                          |
|           | 50   |         | -          | 60  | 55         | 405                             | 92995026                          | 92995292                  | 92995578       | 50                          |
|           | 50   |         | 37         | 60  | -          | 419                             | 92995028                          | 92995294                  | 92995580       | 50                          |
|           | 50   |         | -          | 60  | 75         | 440                             | 92995031                          | 92995297                  | 92995583       | 50                          |
|           | 50   |         | 45         | 60  | -          | 441                             | 92995032                          | 92995298                  | 92995584       | 50                          |
|           | 50   |         | -          | 60  | 90         | 465                             | 92995035                          | 92995301                  | 92995587       | 50                          |
|           | 50   |         | 55         | 60  | -          | 471                             | 92995038                          | 92995304                  | 92995590       | 50                          |
|           | 50   |         | -          | 60  | 110        | 498                             | 92995042                          | 92995308                  | 92995594       | 50                          |
| 50        | 75   | 60      | -          | 521 | 92995045   | 92995311                        | 92995597                          | 50                        |                |                             |
| 50        | -    | 60      | 132        | 524 | 92995046   | 92995312                        | 92995598                          | 50                        |                |                             |
| 50        | 90   | 60      | 160        | 530 | 92995047   | 92995313                        | 92995599                          | 50                        |                |                             |

| Pump size | Pole | Hz   | P2 [kW] | Hz | P2 [kW] | Actual impeller trim [mm] | Pump material code             |                        |                | Impeller bore, d [mm] |
|-----------|------|------|---------|----|---------|---------------------------|--------------------------------|------------------------|----------------|-----------------------|
|           |      |      |         |    |         |                           | S3, S4, S5, SB, SC, SD, SI, SK | S8, S9, SG, SH, SJ, SL | T2, T3, TA, TB |                       |
|           |      |      |         |    |         |                           | Impeller material              |                        |                |                       |
|           |      |      |         |    |         |                           | 304 (1.4308)                   | 316 (1.4408)           | 904 (1.4517)   |                       |
| 250-315   | 4    | 50   | -       | 60 | 37.0    | 260-198                   | 92995056                       | 92995332               | 92995608       | 44                    |
|           |      | 50   | 22      | 60 | -       | 258-210                   | 92995057                       | 92995333               | 92995609       | 44                    |
|           |      | 50   | -       | 60 | 45.0    | 260-228                   | 92995059                       | 92995335               | 92995611       | 44                    |
|           |      | 50   | 30      | 60 | -       | 264                       | 92995048                       | 92995314               | 92995600       | 44                    |
|           |      | 50   | -       | 60 | 55.0    | 267                       | 92995050                       | 92995316               | 92995602       | 44                    |
|           |      | 50   | 37      | 60 | -       | 280                       | 92995051                       | 92995317               | 92995603       | 44                    |
|           |      | 50   | -       | 60 | 75.0    | 294-288                   | 92995053                       | 92995319               | 92995605       | 44                    |
|           | 6    | 50   | 45      | 60 | -       | 300-288                   | 92995054                       | 92995330               | 92995606       | 44                    |
|           |      | 50   | 55      | 60 | 90.0    | 304-288                   | 92995055                       | 92995331               | 92995607       | 44                    |
|           |      | 50   | -       | 60 | 11      | 260-210                   | 92995058                       | 92995334               | 92995610       | 44                    |
|           |      | 50   | 7.5     | 60 | -       | 260-228                   | 92995059                       | 92995335               | 92995611       | 44                    |
|           |      | 50   | -       | 60 | 15      | 266                       | 92995049                       | 92995315               | 92995601       | 44                    |
|           |      | 50   | 11      | 60 | 18.5    | 283                       | 92995052                       | 92995318               | 92995604       | 44                    |
|           |      | 50   | -       | 60 | 22      | 294-288                   | 92995053                       | 92995319               | 92995605       | 44                    |
| 250-360   | 4    | 50   | 15      | 60 | 30      | 304-288                   | 92995055                       | 92995331               | 92995607       | 44                    |
|           |      | 50   | 37      | 60 | -       | 273                       | 92995060                       | 92995336               | 92995612       | 44                    |
|           |      | 50   | -       | 60 | 75      | 287                       | 92995062                       | 92995338               | 92995614       | 44                    |
|           |      | 50   | 45      | 60 | -       | 291                       | 92995063                       | 92995339               | 92995615       | 44                    |
|           |      | 50   | -       | 60 | 90      | 311                       | 92995066                       | 92995342               | 92995618       | 44                    |
|           |      | 50   | 55      | 60 | -       | 315                       | 92995067                       | 92995343               | 92995619       | 44                    |
|           |      | 50   | -       | 60 | 110     | 330                       | 92995069                       | 92995345               | 92995621       | 44                    |
|           | 6    | 50   | 75      | 60 | -       | 359                       | 92995072                       | 92995348               | 92995624       | 44                    |
|           |      | 50   | -       | 60 | 132     | 359                       | 92995072                       | 92995348               | 92995624       | 44                    |
|           |      | 50   | 90      | 60 | 160     | 370                       | 92995074                       | 92995350               | 92995626       | 44                    |
|           |      | 50   | 11      | 60 | -       | 275                       | 92995061                       | 92995337               | 92995613       | 44                    |
|           |      | 50   | -       | 60 | 18.5    | 275                       | 92995061                       | 92995337               | 92995613       | 44                    |
|           |      | 50   | -       | 60 | 22      | 300                       | 92995064                       | 92995340               | 92995616       | 44                    |
|           |      | 50   | 15      | 60 | -       | 310                       | 92995065                       | 92995341               | 92995617       | 44                    |
| 6         | 50   | -    | 60      | 30 | 326     | 92995068                  | 92995344                       | 92995620               | 44             |                       |
|           | 50   | 18.5 | 60      | -  | 331     | 92995070                  | 92995346                       | 92995622               | 44             |                       |
|           | 50   | -    | 60      | 37 | 358     | 92995071                  | 92995347                       | 92995623               | 44             |                       |
|           | 50   | 22   | 60      | -  | 360     | 92995073                  | 92995349                       | 92995625               | 44             |                       |
|           | 50   | 30   | 60      | 45 | 370     | 92995074                  | 92995350                       | 92995626               | 44             |                       |
|           | 50   | -    | 60      | 45 | 370     | 92995074                  | 92995350                       | 92995626               | 44             |                       |

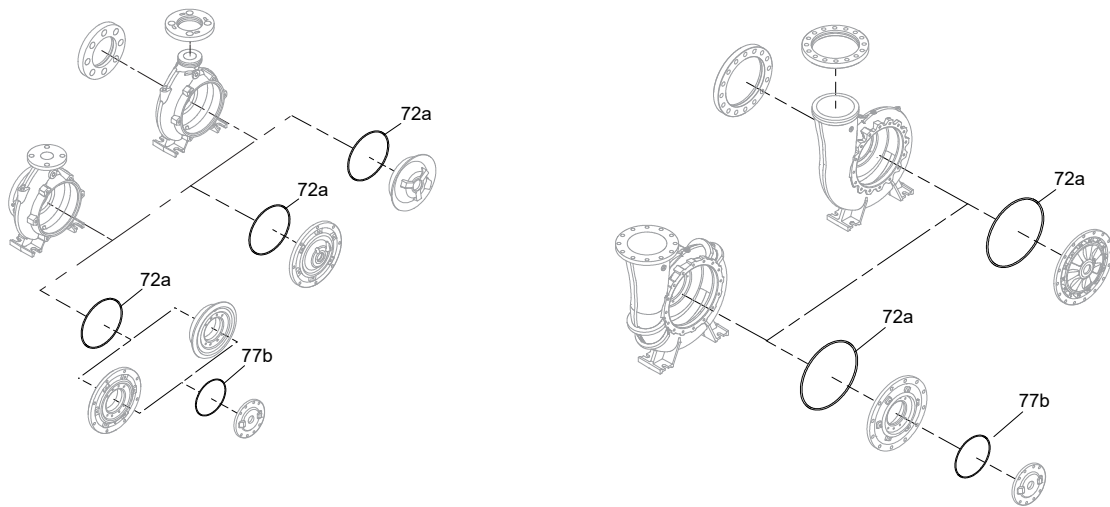
| Pump size | Pole | Hz      | P2<br>[kW] | Hz | P2<br>[kW] | Actual<br>impeller trim<br>[mm] | Pump material code                |                           |                | Impeller bore,<br>d<br>[mm] |
|-----------|------|---------|------------|----|------------|---------------------------------|-----------------------------------|---------------------------|----------------|-----------------------------|
|           |      |         |            |    |            |                                 | S3, S4, S5, SB, SC,<br>SD, SI, SK | S8, S9, SG, SH, SJ,<br>SL | T2, T3, TA, TB |                             |
|           |      |         |            |    |            |                                 | Impeller material                 |                           |                |                             |
|           |      |         |            |    |            |                                 | 304 (1.4308)                      | 316 (1.4408)              | 904 (1.4517)   |                             |
| 250-380   | 4    | 50      | 55         | 60 | -          | 302                             | 92745498                          | 92745879                  | 92746321       | 44                          |
|           |      | 50      | -          | 60 | 110        | 315                             | 92745497                          | 92745878                  | 92746320       | 44                          |
|           |      | 50      | 75         | 60 | -          | 333                             | 92745496                          | 92745877                  | 92746319       | 44                          |
|           |      | 50      | -          | 60 | 132        | 334                             | 92745495                          | 92745876                  | 92746318       | 44                          |
|           |      | 50      | 90         | 60 | -          | 353                             | 92745494                          | 92745875                  | 92746317       | 44                          |
|           |      | 50      | -          | 60 | 160        | 357                             | 92745493                          | 92745874                  | 92746316       | 44                          |
|           |      | 50      | -          | 60 | 185        | 373                             | 92745492                          | 92745873                  | 92746315       | 44                          |
|           |      | 50      | 132        | 60 | -          | 404                             | 92745491                          | 92745872                  | 92746314       | 44                          |
|           |      | 50      | 160        | 60 | -          | 416                             | 92745490                          | 92745871                  | 92746313       | 44                          |
|           |      | 50      | 110        | 60 | -          | 375                             | 92543068                          | 92543075                  | 92554108       | 44                          |
|           | 6    | 50      | 18.5       | 60 | -          | 316                             | 92745505                          | 92745886                  | 92746329       | 44                          |
|           |      | 50      | -          | 60 | 37         | 330                             | 92745504                          | 92745885                  | 92746328       | 44                          |
|           |      | 50      | 22         | 60 | -          | 334                             | 92745503                          | 92745884                  | 92746327       | 44                          |
|           |      | 50      | 30         | 60 | -          | 365                             | 92745502                          | 92745883                  | 92746326       | 44                          |
|           |      | 50      | 37         | 60 | -          | 403                             | 92745501                          | 92745882                  | 92746324       | 44                          |
|           |      | 50      | -          | 60 | 75         | 414                             | 92745500                          | 92745881                  | 92746323       | 44                          |
|           |      | 50      | 45         | 60 | -          | 416                             | 92745499                          | 92745880                  | 92746322       | 44                          |
|           |      | 50      | -          | 60 | 45         | 351                             | 92543073                          | 92543080                  | 92554113       | 44                          |
|           |      | 50      | -          | 60 | 55         | 379                             | 92543072                          | 92543079                  | 92554112       | 44                          |
|           |      | 300-300 | 4          | 50 | 45         | 60                              | -                                 | 280-224                   | 92995088       | 92995364                    |
| 50        | 55   |         |            | 60 | -          | 280-272                         | 92995076                          | 92995352                  | 92995628       | 44                          |
| 50        | 75   |         |            | 60 | -          | 305                             | 92995079                          | 92995355                  | 92995631       | 44                          |
| 50        | -    |         |            | 60 | 132        | 306                             | 92995080                          | 92995356                  | 92995632       | 44                          |
| 50        | 90   |         |            | 60 | -          | 326                             | 92995082                          | 92995358                  | 92995634       | 44                          |
| 50        | -    |         |            | 60 | 160        | 328                             | 92995084                          | 92995360                  | 92995636       | 44                          |
| 50        | 110  |         |            | 60 | 185        | 346-340                         | 92995086                          | 92995362                  | 92995638       | 44                          |
| 50        | 11   |         |            | 60 | -          | 276-196                         | 92995087                          | 92995363                  | 92995639       | 44                          |
| 50        | -    |         |            | 60 | 22         | 280-226                         | 92995089                          | 92995365                  | 92995641       | 44                          |
| 50        | 15   |         |            | 60 | -          | 280-248                         | 92995075                          | 92995351                  | 92995627       | 44                          |
| 6         | 50   |         | -          | 60 | 30         | 282                             | 92995077                          | 92995353                  | 92995629       | 44                          |
|           | 50   |         | 18.5       | 60 | -          | 290                             | 92995078                          | 92995354                  | 92995630       | 44                          |
|           | 50   |         | -          | 60 | 37         | 305                             | 92995079                          | 92995355                  | 92995631       | 44                          |
|           | 50   |         | 22         | 60 | -          | 307                             | 92995081                          | 92995357                  | 92995633       | 44                          |
|           | 50   |         | -          | 60 | 45         | 327                             | 92995083                          | 92995359                  | 92995635       | 44                          |
|           | 50   |         | 30         | 60 | -          | 340                             | 92995085                          | 92995361                  | 92995637       | 44                          |
|           | 50   |         | -          | 60 | 55         | 346-340                         | 92995086                          | 92995362                  | 92995638       | 44                          |



| Pump size | Pole    | Hz | P2 [kW] | Hz  | P2 [kW]  | Actual impeller trim [mm] | Pump material code             |                        |                | Impeller bore, d [mm] |          |    |
|-----------|---------|----|---------|-----|----------|---------------------------|--------------------------------|------------------------|----------------|-----------------------|----------|----|
|           |         |    |         |     |          |                           | S3, S4, S5, SB, SC, SD, SI, SK | S8, S9, SG, SH, SJ, SL | T2, T3, TA, TB |                       |          |    |
|           |         |    |         |     |          |                           | Impeller material              |                        |                |                       |          |    |
|           |         |    |         |     |          |                           | 304 (1.4308)                   | 316 (1.4408)           | 904 (1.4517)   |                       |          |    |
| 300-310   | 4       | 50 | 55      | 60  | -        | 320-190                   | 92995095                       | 92995371               | 92995647       | 44                    |          |    |
|           |         | 50 | -       | 60  | 110      | 328-200                   | 92995090                       | 92995366               | 92995642       | 44                    |          |    |
|           |         | 50 | 75      | 60  | -        | 332-212                   | 92995098                       | 92995374               | 92995650       | 44                    |          |    |
|           |         | 50 | -       | 60  | 132      | 334-212                   | 92995091                       | 92995367               | 92995643       | 44                    |          |    |
|           |         | 50 | 90      | 60  | -        | 348-240                   | 92995100                       | 92995376               | 92995652       | 44                    |          |    |
|           |         | 50 | -       | 60  | 160      | 350-240                   | 92995092                       | 92995368               | 92995644       | 44                    |          |    |
|           |         | 50 | -       | 60  | 185      | 326                       | 92995093                       | 92995369               | 92995645       | 44                    |          |    |
|           |         | 50 | 110     | 60  | -        | 328                       | 92995102                       | 92995378               | 92995654       | 44                    |          |    |
|           |         | 50 | -       | 60  | 200      | 332                       | 92995094                       | 92995370               | 92995646       | 44                    |          |    |
|           |         | 50 | 132     | 60  | -        | 350                       | 92995105                       | 92995381               | 92995657       | 44                    |          |    |
|           | 6       | 50 | 15      | 60  | -        | 320-184                   | 92995106                       | 92995382               | 92995658       | 44                    |          |    |
|           |         | 50 | -       | 60  | 30       | 328-194                   | 92995096                       | 92995372               | 92995648       | 44                    |          |    |
|           |         | 50 | 18.5    | 60  | -        | 328-196                   | 92995097                       | 92995373               | 92995649       | 44                    |          |    |
|           |         | 50 | -       | 60  | 37       | 332-212                   | 92995098                       | 92995374               | 92995650       | 44                    |          |    |
|           |         | 50 | 22      | 60  | -        | 336-212                   | 92995099                       | 92995375               | 92995651       | 44                    |          |    |
|           |         | 50 | -       | 60  | 45       | 348-240                   | 92995100                       | 92995376               | 92995652       | 44                    |          |    |
|           |         | 50 | 30      | 60  | -        | 350-258                   | 92995101                       | 92995377               | 92995653       | 44                    |          |    |
|           |         | 50 | -       | 60  | 55       | 329                       | 92995103                       | 92995379               | 92995655       | 44                    |          |    |
|           |         | 50 | 37      | 60  | -        | 348                       | 92995104                       | 92995380               | 92995656       | 44                    |          |    |
|           |         | 50 | -       | 60  | 75       | 350                       | 92995105                       | 92995381               | 92995657       | 44                    |          |    |
| 300-350   | 4       | 50 | 90      | 60  | -        | 327                       | 92995107                       | 92995383               | 92995659       | 50                    |          |    |
|           |         | 50 | -       | 60  | 160      | 329                       | 92995109                       | 92995385               | 92995661       | 50                    |          |    |
|           |         | 50 | -       | 60  | 185      | 342                       | 92995111                       | 92995387               | 92995663       | 50                    |          |    |
|           |         | 50 | 110     | 60  | -        | 343                       | 92995112                       | 92995388               | 92995664       | 50                    |          |    |
|           |         | 50 | -       | 60  | 200      | 347                       | 92995113                       | 92995389               | 92995665       | 50                    |          |    |
|           |         | 50 | -       | 60  | 220      | 355                       | 92995115                       | 92995391               | 92995667       | 50                    |          |    |
|           |         | 50 | 132     | 60  | -        | 358                       | 92995117                       | 92995393               | 92995669       | 50                    |          |    |
|           |         | 50 | -       | 60  | 250      | 367                       | 92995118                       | 92995394               | 92995670       | 50                    |          |    |
|           |         | 50 | 160     | 60  | -        | 370                       | 92995120                       | 92995396               | 92995672       | 50                    |          |    |
|           |         | 6  | 50      | -   | 60       | 45                        | 328                            | 92995108               | 92995384       | 92995660              | 50       |    |
|           | 50      |    | 30      | 60  | -        | 337                       | 92995110                       | 92995386               | 92995662       | 50                    |          |    |
|           | 50      |    | -       | 60  | 55       | 349                       | 92995114                       | 92995390               | 92995666       | 50                    |          |    |
|           | 50      |    | 37      | 60  | -        | 356                       | 92995116                       | 92995392               | 92995668       | 50                    |          |    |
|           | 50      |    | -       | 60  | 75       | 368                       | 92995119                       | 92995395               | 92995671       | 50                    |          |    |
|           | 50      |    | 45      | 60  | -        | 370                       | 92995120                       | 92995396               | 92995672       | 50                    |          |    |
|           | 300-400 |    | 4       | 50  | 200      | 60                        | -                              | 395                    | 92995122       | 92995398              | 92995674 | 50 |
|           |         |    |         | 50  | 220      | 60                        | -                              | 409                    | 92995123       | 92995399              | 92995675 | 50 |
|           |         |    |         | 50  | 250      | 60                        | -                              | 434                    | 92995125       | 92995401              | 92995677 | 50 |
|           |         |    |         | 50  | -        | 60                        | 375                            | 441                    | 92995128       | 92995404              | 92995680 | 50 |
|           |         | 50 |         | 280 | 60       | -                         | 455                            | 92995129               | 92995405       | 92995681              | 50       |    |
| 6         |         | 50 | 315     | 60  | -        | 480                       | 92995131                       | 92995407               | 92995683       | 50                    |          |    |
|           |         | 50 | 55      | 60  | -        | 390                       | 92995121                       | 92995397               | 92995673       | 50                    |          |    |
|           |         | 50 | -       | 60  | 110      | 410                       | 92995124                       | 92995400               | 92995676       | 50                    |          |    |
|           |         | 50 | 75      | 60  | -        | 437                       | 92995126                       | 92995402               | 92995678       | 50                    |          |    |
|           |         | 50 | -       | 60  | 132      | 440                       | 92995127                       | 92995403               | 92995679       | 50                    |          |    |
| 50        | 90      | 60 | -       | 479 | 92995130 | 92995406                  | 92995682                       | 50                     |                |                       |          |    |
| 50        | -       | 60 | 160     | 480 | 92995131 | 92995407                  | 92995683                       | 50                     |                |                       |          |    |

| Pump size | Pole | Hz | P2<br>[kW] | Hz | P2<br>[kW] | Actual<br>impeller trim<br>[mm] | Pump material code                 |                           |                | Impeller bore,<br>d<br>[mm] |
|-----------|------|----|------------|----|------------|---------------------------------|------------------------------------|---------------------------|----------------|-----------------------------|
|           |      |    |            |    |            |                                 | S3, S4, S5, SB, SC,<br>SD , SI, SK | S8, S9, SG, SH, SJ,<br>SL | T2, T3, TA, TB |                             |
|           |      |    |            |    |            |                                 | Impeller material                  |                           |                |                             |
|           |      |    |            |    |            |                                 | 304 (1.4308)                       | 316 (1.4408)              | 904 (1.4517)   |                             |
| 350-350   | 4    | 50 | 110        | 60 | -          | 348-316                         | 92995180                           | 92995466                  | 92995734       | 50                          |
|           |      | 50 | 132        | 60 | -          | 372-336                         | 92995183                           | 92995469                  | 92995737       | 50                          |
|           |      | 50 | 160        | 60 | -          | 388-356                         | 92995186                           | 92995472                  | 92995750       | 50                          |
|           |      | 50 | 185        | 60 | -          | 408-374                         | 92995188                           | 92995474                  | 92995752       | 50                          |
|           |      | 50 | 200        | 60 | -          | 416-382                         | 92995190                           | 92995476                  | 92995754       | 50                          |
|           | 6    | 50 | -          | 60 | 45         | 331-283                         | 92995178                           | 92995464                  | 92995732       | 50                          |
|           |      | 50 | 30         | 60 | -          | 342-306                         | 92995179                           | 92995465                  | 92995733       | 50                          |
|           |      | 50 | -          | 60 | 55         | 347-319                         | 92995181                           | 92995467                  | 92995735       | 50                          |
|           |      | 50 | 37         | 60 | -          | 364-336                         | 92995182                           | 92995468                  | 92995736       | 50                          |
|           |      | 50 | -          | 60 | 75         | 382-354                         | 92995184                           | 92995470                  | 92995738       | 50                          |
|           |      | 50 | 45         | 60 | -          | 388-352                         | 92995185                           | 92995471                  | 92995739       | 50                          |
|           |      | 50 | -          | 60 | 90         | 399-371                         | 92995187                           | 92995473                  | 92995751       | 50                          |
|           |      | 50 | 55         | 60 | -          | 408-376                         | 92995189                           | 92995475                  | 92995753       | 50                          |
|           |      | 50 | -          | 60 | 110        | 416-388                         | 92995191                           | 92995477                  | 92995755       | 50                          |

## Spare/bulk - O-rings



TM1040125

**Spare - O-ring (cover-pump housing)**

72a: 1 x O-ring

**Bulk - O-ring (cover-pump housing)**

72a: 5 x O-ring

**Spare - O-ring (seal cover - cover)**

77b: 1 x O-ring

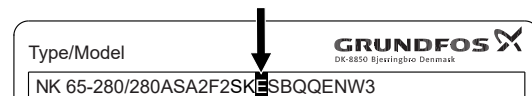
**Bulk - O-ring (seal cover - cover)**

77b: 5 x O-ring

**Step 1: Find the pump size and note O-ring codes for Pos. 72a and 77b.**

| Pump size   | Pos. 72a    | Pos. 77b | Pump size  | Pos. 72a    | Pos. 77b |
|-------------|-------------|----------|------------|-------------|----------|
|             | O-ring code |          |            | O-ring code |          |
| 32-130.1-2P | B           | A        | 80-225-2P  | A           | A        |
| 32-130.1-4P | B           | A        | 80-225-4P  | A           | A        |
| 32-130-2P   | B           | A        | 80-280     | D           | A        |
| 32-130-4P   | B           | A        | 80-350     | E           | A        |
| 32-165.1-2P | B           | A        | 100-180-2P | B           | A        |
| 32-165.1-4P | B           | A        | 100-180-4P | B           | A        |
| 32-180-2P   | B           | A        | 100-225-2P | A           | A        |
| 32-180-4P   | B           | A        | 100-225-4P | A           | A        |
| 32-205.1-2P | G           | A        | 100-280    | D           | A        |
| 32-205.1-4P | G           | A        | 100-350    | F           | A        |
| 40-130-2P   | B           | A        | 100-380    | F           | A        |
| 40-130-4P   | B           | A        | 125-180-2P | B           | A        |
| 40-180-2P   | B           | A        | 125-180-4P | B           | A        |
| 40-180-4P   | B           | A        | 125-225    | A           | A        |
| 40-220-2P   | C           | A        | 125-280    | D           | A        |
| 40-220-4P   | C           | A        | 125-350    | E           | B        |
| 40-225-2P   | C           | A        | 125-380    | F           | B        |
| 40-225-4P   | C           | A        | 150-225    | A           | A        |
| 50-130-2P   | B           | A        | 150-280    | D           | B        |
| 50-130-4P   | B           | A        | 150-300    | E           | B        |
| 50-225-2P   | C           | A        | 150-350    | E           | B        |
| 50-225-4P   | C           | A        | 150-380    | F           | B        |
| 50-280-2P   | C           | A        | 200-300    | E           | B        |
| 50-280-4P   | C           | A        | 200-350    | E           | B        |
| 50-350      | E           | A        | 200-380    | F           | B        |
| 65-130-2P   | B           | A        | 200-500    | H           | B        |
| 65-130-4P   | B           | A        | 250-315    | F           | B        |
| 65-180-2P   | B           | A        | 250-360    | F           | B        |
| 65-180-4P   | B           | A        | 250-380    | F           | B        |
| 65-225-2P   | A           | A        | 300-300    | F           | B        |
| 65-225-4P   | A           | A        | 300-310    | F           | B        |
| 65-280      | D           | A        | 300-350    | F           | B        |
| 80-180-2P   | B           | A        | 300-400    | K           | B        |
| 80-180-4P   | B           | A        | 350-350    | J           | B        |

**Step 2: Use the O-ring code and check the O-ring material in the pump to find the needed spare.**



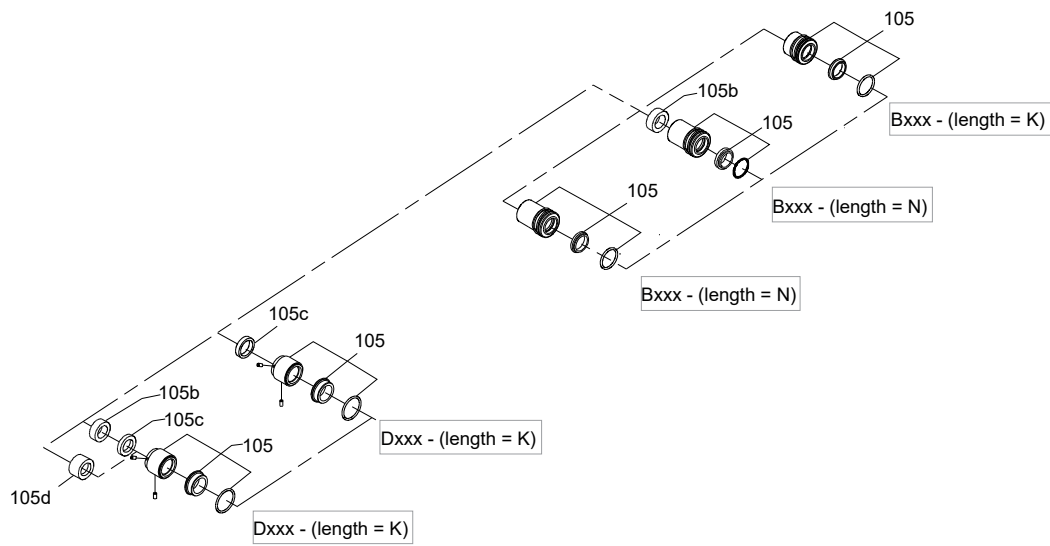
O-ring code

| Pos 72a     |                    |               |           |              |           |
|-------------|--------------------|---------------|-----------|--------------|-----------|
| O-ring code | O-ring description | Spare (1 pcs) |           | Bulk (5 pcs) |           |
|             |                    | Material      |           | Material     |           |
|             |                    | E (EPDM)      | V (Viton) | E (EPDM)     | V (Viton) |
| A           | 243x3.5            | 92526496      | 92526497  | 92526507     | 92526513  |
| B           | 171.04x3.53        | 97757659      | 92526498  | 92526508     | 92526514  |
| C           | 253.6x3.53         | 97757672      | 97757699  | 92526509     | 92526515  |
| D           | 278.99x3.53        | 97757673      | 97757703  | 92526510     | 92526516  |
| E           | 329.79x3.53        | 97757675      | 97757705  | 92526511     | 92526517  |
| F           | 430.66x3.53        | 97757676      | 97757707  | 92526512     | 92526518  |
| G           | 221.84x3.53        | 92728995      | 92728996  | 92743280     | 92743281  |
| H           | 548x6.00           | 92729013      | 92729014  | 92743282     | 92743283  |
| J           | 456.06x3.53        | 97757677      | 97757708  | 92547641     | 92547640  |
| K           | 485x4.00           | 99102425      | 99102426  | 92811318     | 92811319  |

| Pos 77b     |                    |               |           |              |           |
|-------------|--------------------|---------------|-----------|--------------|-----------|
| O-ring code | O-ring description | Spare (1 pcs) |           | Bulk (5 pcs) |           |
|             |                    | Material      |           | Material     |           |
|             |                    | E (EPDM)      | V (Viton) | E (EPDM)     | V (Viton) |
| A           | 100x3.00           | 97761203      | 97761204  | 92526525     | 92526527  |
| B           | 129.5x3.00         | 97757693      | 97757714  | 92526526     | 92526528  |

### Spare/bulk - Shaft seal and spacer



TM083038

|                           |
|---------------------------|
| <b>Spare - Shaft seal</b> |
| 105: Shaft seal           |
| <b>Bulk - Shaft seal</b>  |
| 105: 5 x Shaft seal       |
| <b>Spare - Spacer</b>     |
| 105b/105c/105d: Spacer    |

| Installation length   |                  |                   |                  |
|-----------------------|------------------|-------------------|------------------|
| "x"<br>('Xtra short') | Types Bxxx       |                   | Types Dxxx       |
|                       | "K"<br>('short') | "N"<br>('normal') | "K"<br>('short') |
|                       |                  |                   |                  |

**Step 1: Find the pump size and note the seal code and the spacer code - if there is one.**

| Pump size   | Seal inner dia. [mm] | Length | Seal code | Spacer code |            |
|-------------|----------------------|--------|-----------|-------------|------------|
|             |                      |        |           | Bxxx seals  | Dxxx seals |
| 32-130.1-2P | 20                   | K      | A         | -           | -          |
| 32-130.1-4P | 20                   | K      | A         | -           | -          |
| 32-130-2P   | 20                   | K      | A         | -           | -          |
| 32-130-4P   | 20                   | K      | A         | -           | -          |
| 32-165.1-2P | 28                   | N      | B         | -           | B          |
| 32-165.1-4P | 20                   | K      | A         | -           | -          |
| 32-180-2P   | 20                   | K      | A         | -           | -          |
| 32-180-4P   | 20                   | K      | A         | -           | -          |
| 32-205.1-2P | 28                   | N      | B         | -           | B          |
| 32-205.1-4P | 20                   | K      | A         | -           | -          |
| 40-130-2P   | 28                   | N      | B         | -           | B          |
| 40-130-4P   | 20                   | K      | A         | -           | -          |
| 40-180-2P   | 28                   | N      | B         | -           | B          |
| 40-180-4P   | 20                   | K      | A         | -           | -          |
| 40-220-2P   | 28                   | N      | B         | -           | B          |
| 40-220-4P   | 28                   | N      | B         | -           | B          |
| 40-225-2P   | 28                   | N      | B         | -           | B          |
| 40-225-4P   | 28                   | N      | B         | -           | B          |
| 50-130-2P   | 28                   | N      | B         | -           | B          |
| 50-130-4P   | 20                   | K      | A         | -           | -          |
| 50-225-2P   | 38                   | N      | C         | -           | C          |
| 50-225-4P   | 28                   | N      | B         | -           | B          |
| 50-280-2P   | 38                   | N      | C         | -           | C          |
| 50-280-4P   | 28                   | N      | B         | -           | B          |
| 50-350      | 38                   | N      | C         | G           | H          |
| 65-130-2P   | 28                   | N      | B         | -           | B          |
| 65-130-4P   | 20                   | K      | A         | -           | -          |
| 65-180-2P   | 28                   | N      | B         | -           | B          |
| 65-180-4P   | 20                   | K      | A         | -           | -          |
| 65-225-2P   | 38                   | N      | C         | -           | C          |
| 65-225-4P   | 28                   | N      | B         | -           | B          |
| 65-280      | 38                   | N      | C         | G           | H          |
| 80-180-2P   | 28                   | N      | B         | -           | B          |
| 80-180-4P   | 20                   | K      | A         | -           | -          |
| 80-225-2P   | 38                   | N      | C         | -           | C          |
| 80-225-4P   | 28                   | N      | B         | -           | B          |
| 80-280      | 38                   | N      | C         | G           | H          |
| 80-350      | 38                   | N      | C         | G           | H          |
| 100-180-2P  | 28                   | N      | B         | -           | B          |
| 100-180-4P  | 28                   | N      | B         | -           | B          |
| 100-225-2P  | 38                   | N      | C         | -           | C          |
| 100-225-4P  | 28                   | N      | B         | -           | B          |
| 100-280     | 38                   | N      | C         | G           | H          |
| 100-350     | 38                   | N      | C         | G           | H          |
| 100-380     | 48                   | N      | D         | -           | D          |
| 125-180-2P  | 28                   | N      | B         | -           | B          |
| 125-180-4P  | 28                   | N      | B         | -           | B          |
| 125-225     | 38                   | N      | C         | -           | C          |
| 125-280     | 38                   | N      | C         | G           | H          |
| 125-350     | 48                   | N      | D         | -           | D          |
| 125-380     | 48                   | N      | D         | -           | D          |

| Pump size | Seal inner dia. [mm] | Length | Seal code | Spacer code |            |
|-----------|----------------------|--------|-----------|-------------|------------|
|           |                      |        |           | Bxxx seals  | Dxxx seals |
| 150-225   | 38                   | N      | C         | -           | C          |
| 150-280   | 48                   | N      | D         | -           | D          |
| 150-300   | 48                   | N      | D         | -           | D          |
| 150-350   | 48                   | N      | D         | -           | D          |
| 150-380   | 55                   | N      | E         | -           | E          |
| 200-300   | 48                   | N      | D         | -           | D          |
| 200-350   | 48                   | N      | D         | -           | D          |
| 200-380   | 55                   | N      | E         | -           | E          |
| 200-500   | 60                   | N      | F         | -           | F          |
| 250-315   | 55                   | N      | E         | -           | E          |
| 250-360   | 55                   | N      | E         | -           | E          |
| 250-380   | 55                   | N      | E         | -           | E          |
| 300-300   | 55                   | N      | E         | -           | E          |
| 300-310   | 55                   | N      | E         | -           | E          |
| 300-350   | 60                   | N      | F         | -           | F          |
| 300-400   | 60                   | N      | F         | -           | F          |
| 350-350   | 60                   | N      | F         | -           | F          |

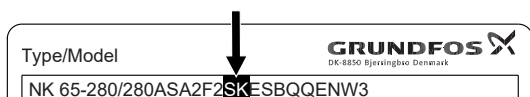
**Step 2: Use the seal code and the shaft seal type to find the needed spare/bulk.**



**Shaft seal type**

| Seal code | BQQE          |              | BQQV          |              | DAQF          |              | DQQE          |              |
|-----------|---------------|--------------|---------------|--------------|---------------|--------------|---------------|--------------|
|           | Spare (1 pcs) | Bulk (5 pcs) | Spare (1 pcs) | Bulk (5 pcs) | Spare (1 pcs) | Bulk (5 pcs) | Spare (1 pcs) | Bulk (5 pcs) |
| A         | 92728673      | 92728680     | 92728674      | 92728681     | 92728677      | 92728684     | 92728676      | 92728683     |
| B         | 99884645      | 99380916     | 98434905      | 92514269     | 96548355      | 92514233     | 97769895      | 92514258     |
| C         | 98434906      | 92514302     | 98434908      | 92514301     | 96548359      | 92514274     | 97769897      | 92514291     |
| D         | 98434909      | 92514334     | 98434941      | 92514333     | 96658796      | 92514307     | 97685509      | 92514323     |
| E         | 98434943      | 92514388     | 98434944      | 92514387     | 96658807      | 92514335     | 97685596      | 92514356     |
| F         | 98434945      | 92514397     | 98434947      | 92514396     | 96658820      | 92514358     | 97685598      | 92514367     |

**Step 3: Use the spacer code, the shaft seal type and the material code to find the needed spacer.**



**Material code**

| Spacer code | Position | Bxxx seals           | Dxxx seals | Spacer for ...         |  |
|-------------|----------|----------------------|------------|------------------------|--|
|             |          | Spacer thickness (B) |            | Material version       |  |
|             |          | [mm]                 | [mm]       | S3, SB, S4, S8, SC, SG | S5, S9, SD, SH, T2, TA, SI, SJ, SK, SL, T3, TB |
| A           | -        | -                    | -          | -                      | -  |
| B           | 105c     | -                    | 7.5        | 96938597               | 96938598                                       |
| C           | 105c     | -                    | 10         | 96938599               | 96938600                                       |
| D           | 105c     | -                    | 15         | 96938602               | 96938603                                       |
| E           | 105c     | -                    | 22.5       | 96938604               | 96938605                                       |
| F           | 105c     | -                    | 17.5       | 96938606               | 96938607                                       |
| G           | 105b     | 15                   | -          | 96591277               | 96938601                                       |
| H           | 105d     | -                    | 25         | 92728687               | 92728688                                       |







**Argentina**

Bombas GRUNDFOS de Argentina S.A.  
Ruta Panamericana km. 37.500industin  
1619 - Garin Pcia. de B.A.  
Tel.: +54-3327 414 444  
Fax: +54-3327 45 3190

**Australia**

GRUNDFOS Pumps Pty. Ltd.  
P.O. Box 2040  
Regency Park  
South Australia 5942  
Tel.: +61-8-8461-4611  
Fax: +61-8-8340-0155

**Austria**

GRUNDFOS Pumpen Vertrieb Ges.m.b.H.  
Grundfosstraße 2  
A-5082 Grödig/Salzburg  
Tel.: +43-6246-883-0  
Fax: +43-6246-883-30

**Belgium**

N.V. GRUNDFOS Bellux S.A.  
Boomssteenweg 81-83  
B-2630 Aartselaar  
Tel.: +32-3-870 7300  
Fax: +32-3-870 7301

**Bosnia and Herzegovina**

GRUNDFOS Sarajevo  
Zmaja od Bosne 7-7A  
BiH-71000 Sarajevo  
Tel.: +387 33 592 480  
Fax: +387 33 590 465  
www.ba.grundfos.com  
E-mail: grundfos@bih.net.ba

**Brazil**

BOMBAS GRUNDFOS DO BRASIL  
Av. Humberto de Alencar Castelo Branco,  
630  
CEP 09850 - 300  
São Bernardo do Campo - SP  
Tel.: +55-11 4393 5533  
Fax: +55-11 4343 5015

**Bulgaria**

Grundfos Bulgaria EOOD  
Slatina District  
Iztocna Tangenta street no. 100  
BG - 1592 Sofia  
Tel.: +359 2 49 22 200  
Fax: +359 2 49 22 201  
E-mail: bulgaria@grundfos.bg

**Canada**

GRUNDFOS Canada inc.  
2941 Brighton Road  
Oakville, Ontario  
L6H 6C9  
Tel.: +1-905 829 9533  
Fax: +1-905 829 9512

**China**

GRUNDFOS Pumps (Shanghai) Co. Ltd.  
10F The Hub, No. 33 Suhong Road  
Minhang District  
Shanghai 201106 PRC  
Tel.: +86 21 612 252 22  
Fax: +86 21 612 253 33

**Columbia**

GRUNDFOS Colombia S.A.S.  
Km 1.5 via Siberia-Cota Conj. Potrero  
Chico,  
Parque Empresarial Arcos de Cota Bod.  
1A.  
Cota, Cundinamarca  
Tel.: +57(1)-2913444  
Fax: +57(1)-8764586

**Croatia**

GRUNDFOS CROATIA d.o.o.  
Buzinski prilaz 38, Buzin  
HR-10010 Zagreb  
Tel.: +385 1 6595 400  
Fax: +385 1 6595 499  
www.hr.grundfos.com

**Czech Republic**

GRUNDFOS Sales Czechia and Slovakia  
s.r.o.  
Čajkovského 21  
779 00 Olomouc  
Tel.: +420-585-716 111

**Denmark**

GRUNDFOS DK A/S  
Martin Bachs Vej 3  
DK-8850 Bjerringbro  
Tel.: +45-87 50 50 50  
Fax: +45-87 50 51 51  
E-mail: info\_GDK@grundfos.com  
www.grundfos.com/DK

**Estonia**

GRUNDFOS Pumps Eesti OÜ  
Peterburi tee 92G  
11415 Tallinn  
Tel.: + 372 606 1690  
Fax: + 372 606 1691

**Finland**

OY GRUNDFOS Pumput AB  
Trukkikuja 1  
FI-01360 Vantaa  
Tel.: +358-(0) 207 889 500

**France**

Pompes GRUNDFOS Distribution S.A.  
Parc d'Activités de Chesnes  
57, rue de Malacombes  
F-38290 St. Quentin Fallavier (Lyon)  
Tel.: +33-4 74 82 15 15  
Fax: +33-4 74 94 10 51

**Germany**

GRUNDFOS GMBH  
Schlüterstr. 33  
40699 Erkrath  
Tel.: +49-(0) 211 929 69-0  
Fax: +49-(0) 211 929 69-3799  
E-mail: infoservice@grundfos.de  
Service in Deutschland:  
kundendienst@grundfos.de

**Greece**

GRUNDFOS Hellas A.E.B.E.  
20th km. Athinon-Markopoulou Av.  
P.O. Box 71  
GR-19002 Peania  
Tel.: +0030-210-66 83 400  
Fax: +0030-210-66 46 273

**Hong Kong**

GRUNDFOS Pumps (Hong Kong) Ltd.  
Unit 1, Ground floor, Siu Wai Industrial  
Centre  
29-33 Wing Hong Street & 68 King Lam  
Street, Cheung Sha Wan  
Kowloon  
Tel.: +852-27861706 / 27861741  
Fax: +852-27858664

**Hungary**

GRUNDFOS Hungária Kft.  
Tópark u. 8  
H-2045 Törökbálint  
Tel.: +36-23 511 110  
Fax: +36-23 511 111

**India**

GRUNDFOS Pumps India Private Limited  
118 Old Mahabalipuram Road  
Thoraiakkam  
Chennai 600 097  
Tel.: +91-44 2496 6800

**Indonesia**

PT GRUNDFOS Pompa  
Graha intirub Lt. 2 & 3  
Jln. Cililitan Besar No.454. Makasar,  
Jakarta Timur  
ID-Jakarta 13650  
Tel.: +62 21-469-51900  
Fax: +62 21-460 6910 / 460 6901

**Ireland**

GRUNDFOS (Ireland) Ltd.  
Unit A, Merrywell Business Park  
Ballymount Road Lower  
Dublin 12  
Tel.: +353-1-4089 800  
Fax: +353-1-4089 830

**Italy**

GRUNDFOS Pompe Italia S.r.l.  
Via Gran Sasso 4  
I-20060 Truccazzano (Milano)  
Tel.: +39-02-95838112  
Fax: +39-02-95309290 / 95838461

**Japan**

GRUNDFOS Pumps K.K.  
1-2-3, Shin-Miyakoda, Kita-ku  
Hamamatsu  
431-2103 Japan  
Tel.: +81 53 428 4760  
Fax: +81 53 428 5005

**Kazakhstan**

Grundfos Kazakhstan LLP  
7' Kyz-Zhibek Str., Kok-Tobe micr.  
KZ-050020 Almaty Kazakhstan  
Tel.: +7 (727) 227-98-55/56

**Korea**

GRUNDFOS Pumps Korea Ltd.  
6th Floor, Aju Building 679-5  
Yeoksam-dong, Kangnam-ku, 135-916  
Seoul, Korea  
Tel.: +82-2-5317 600  
Fax: +82-2-5633 725

**Latvia**

SIA GRUNDFOS Pumps Latvia  
Deglava biznesa centrs  
Augusta Deglava ielā 60  
LV-1035, Rīga,  
Tel.: + 371 714 9640, 7 149 641  
Fax: + 371 914 9646

**Lithuania**

GRUNDFOS Pumps UAB  
Smolensko g. 6  
LT-03201 Vilnius  
Tel.: + 370 52 395 430  
Fax: + 370 52 395 431

**Malaysia**

GRUNDFOS Pumps Sdn. Bhd.  
7 Jalan Peguam U1/25  
Glenmarie industrial Park  
40150 Shah Alam, Selangor  
Tel.: +60-3-5569 2922  
Fax: +60-3-5569 2866

**Mexico**

Bombas GRUNDFOS de México  
S.A. de C.V.  
Boulevard TLC No. 15  
Parque industrial Stiva Aeropuerto  
Apodaca, N.L. 66600  
Tel.: +52-81-8144 4000  
Fax: +52-81-8144 4010

**Netherlands**

GRUNDFOS Netherlands  
Veluwezoom 35  
1326 AE Almere  
Postbus 22015  
1302 CA ALMERE  
Tel.: +31-88-478 6336  
Fax: +31-88-478 6332  
E-mail: info\_gnl@grundfos.com

**New Zealand**

GRUNDFOS Pumps NZ Ltd.  
17 Beatrice Tinsley Crescent  
North Harbour Industrial Estate  
Albany, Auckland  
Tel.: +64-9-415 3240  
Fax: +64-9-415 3250

**Norway**

GRUNDFOS Pumper A/S  
Stramsveien 344  
Postboks 235, Leirdal  
N-1011 Oslo  
Tel.: +47-22 90 47 00  
Fax: +47-22 32 21 50

**Poland**

GRUNDFOS Pompy Sp. z o.o.  
ul. Klonowa 23  
Baranowo k. Poznania  
PL-62-081 Przeźmierowo  
Tel.: (+48-61) 650 13 00  
Fax: (+48-61) 650 13 50

**Portugal**

Bombas GRUNDFOS Portugal, S.A.  
Rua Calvet de Magalhães, 241  
Apartado 1079  
P-2770-153 Paço de Arcos  
Tel.: +351-21-440 76 00  
Fax: +351-21-440 76 90

**Romania**

GRUNDFOS Pompe România SRL  
S-PARK BUSINESS CENTER, Clădirea  
A2, etaj 2  
Str. Tipografilor, Nr. 11-15, Sector 1, Cod  
013714  
Bucuresti, Romania  
Tel.: 004 021 2004 100  
E-mail: romania@grundfos.ro

**Serbia**

Grundfos Srbija d.o.o.  
Omladinskih brigada 90b  
11070 Novi Beograd  
Tel.: +381 11 2258 740  
Fax: +381 11 2281 769  
www.rs.grundfos.com

**Singapore**

GRUNDFOS (Singapore) Pte. Ltd.  
25 Jalan Tukang  
Singapore 619264  
Tel.: +65-6681 9688  
Fax: +65-6681 9689

**Slovakia**

GRUNDFOS s.r.o.  
Prievozská 4D 821 09 BRATISLAVA  
Tel.: +421 2 5020 1426  
sk.grundfos.com

**Slovenia**

GRUNDFOS LJUBLJANA, d.o.o.  
Leskoškova 9e, 1122 Ljubljana  
Tel.: +386 (0) 1 568 06 10  
Fax: +386 (0) 1 568 06 19  
E-mail: tehnika-si@grundfos.com

**South Africa**

GRUNDFOS (PTY) LTD  
16 Lascelles Drive, Meadowbrook Estate  
1609 Germiston, Johannesburg  
Tel.: (+27) 10 248 6000  
Fax: (+27) 10 248 6002  
E-mail: lgradidge@grundfos.com

**Spain**

Bombas GRUNDFOS España S.A.  
Camino de la Fuenteclilla, s/n  
E-28110 Algete (Madrid)  
Tel.: +34-91-848 8800  
Fax: +34-91-628 0465

**Sweden**

GRUNDFOS AB  
Box 333 (Lunnagårdsgatan 6)  
431 24 Mölndal  
Tel.: +46 31 332 23 000  
Fax: +46 31 331 94 60

**Switzerland**

GRUNDFOS Pumpen AG  
Bruggacherstrasse 10  
CH-8117 Fällanden/ZH  
Tel.: +41-44-806 8111  
Fax: +41-44-806 8115

**Taiwan**

GRUNDFOS Pumps (Taiwan) Ltd.  
7 Floor, 219 Min-Chuan Road  
Taichung, Taiwan, R.O.C.  
Tel.: +886-4-2305 0868  
Fax: +886-4-2305 0878

**Thailand**

GRUNDFOS (Thailand) Ltd.  
92 Chaloeem Phrakiat Rama 9 Road  
Dokmai, Pravej, Bangkok 10250  
Tel.: +66-2-725 8999  
Fax: +66-2-725 8998

**Turkey**

GRUNDFOS POMPA San. ve Tic. Ltd. Sti.  
Gezbe Organize Sanayi Bölgesi  
Ihsan dede Caddesi  
2. yol 200. Sokak No. 204  
41490 Gezbe/ Kocaeli  
Tel.: +90 - 262-679 7979  
Fax: +90 - 262-679 7905  
E-mail: sats@grundfos.com

**Ukraine**

ТОВ "ГРУНДФОС УКРАЇНА"  
Бізнес Центр Європа  
Столицне шосе, 103  
м. Київ, 03131, Україна  
Tel.: (+38 044) 237 04 00  
Fax: (+38 044) 237 04 01  
E-mail: ukraine@grundfos.com

**United Arab Emirates**

GRUNDFOS Gulf Distribution  
P.O. Box 16768  
Jebel Ali Free Zone, Dubai  
Tel.: +971 4 8815 166  
Fax: +971 4 8815 136

**United Kingdom**

GRUNDFOS Pumps Ltd.  
Grovebury Road  
Leighton Buzzard/Beds. LU7 4TL  
Tel.: +44-1525-850000  
Fax: +44-1525-850011

**U.S.A.**

Global Headquarters for WU  
856 Koomey Road  
Brookshire, Texas 77423 USA  
Phone: +1-630-236-5500

**Uzbekistan**

Grundfos Tashkent, Uzbekistan  
The Representative Office of Grundfos  
Kazakhstan in Uzbekistan  
38a, Oybek street, Tashkent  
Tel.: (+998) 71 150 3290 / 71 150 3291  
Fax: (+998) 71 150 3292

92848115 09.2023

ECM: 1376301

**GRUNDFOS Holding A/S**  
Poul Due Jensens Vej 7  
DK-8850 Bjerringbro  
Tel: +45 87 50 14 00  
[www.grundfos.com](http://www.grundfos.com)

**GRUNDFOS** 