



UPSe





Max. 95 % RH
Type 2



Min./Max. 36°F/230°F
(+2°C / +110°C)



Max. 175 PSI
(12 bar)



Min./Max. 32°F / 131°F
(0°C / +55°C)



< 43 dB(A)





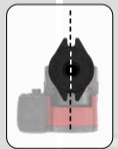
1

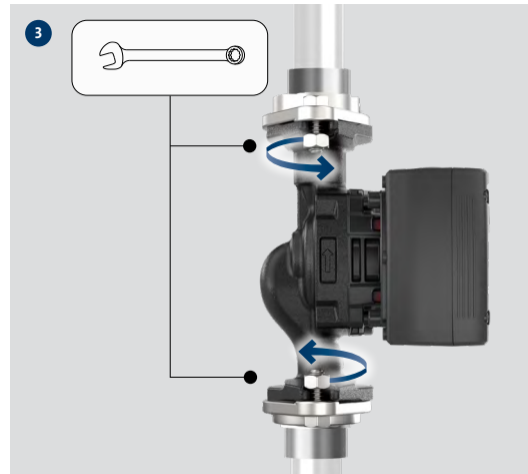
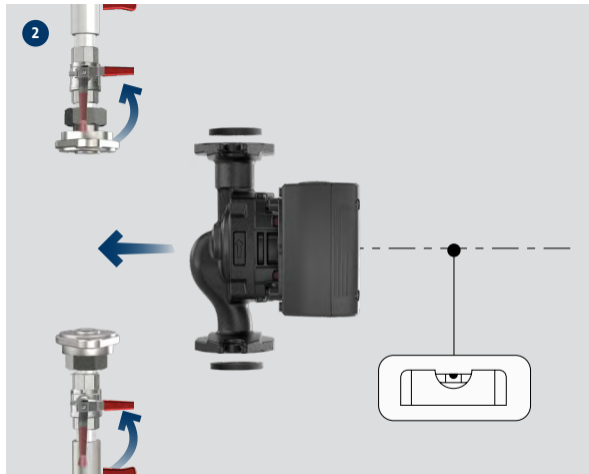
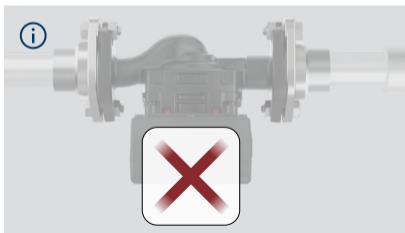
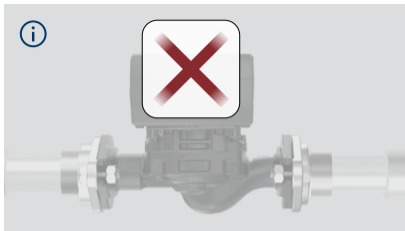


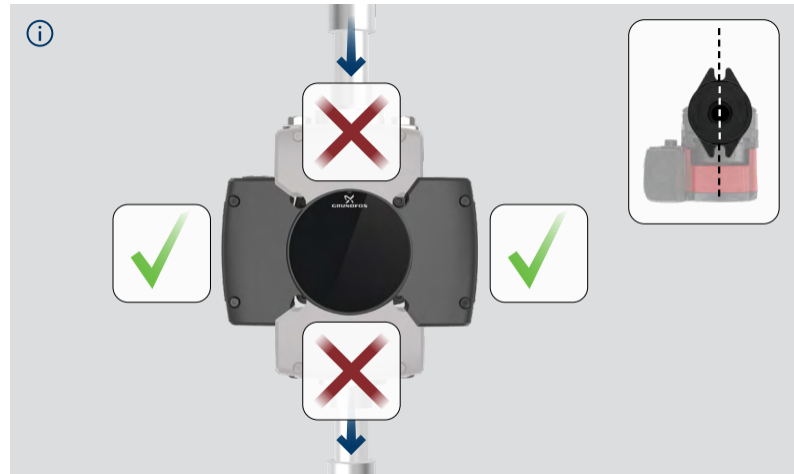
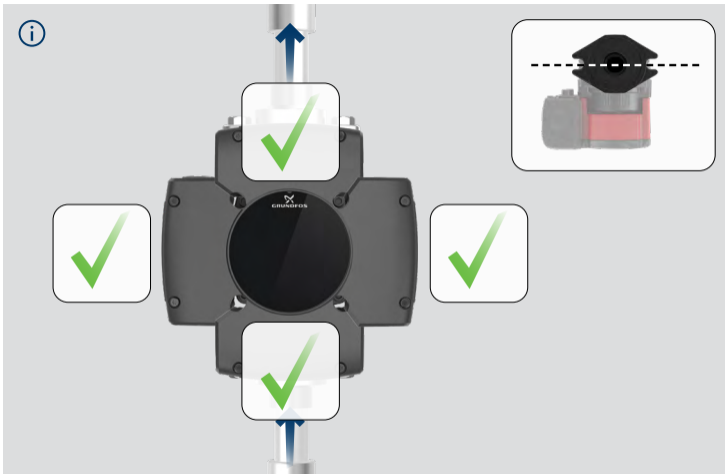
i

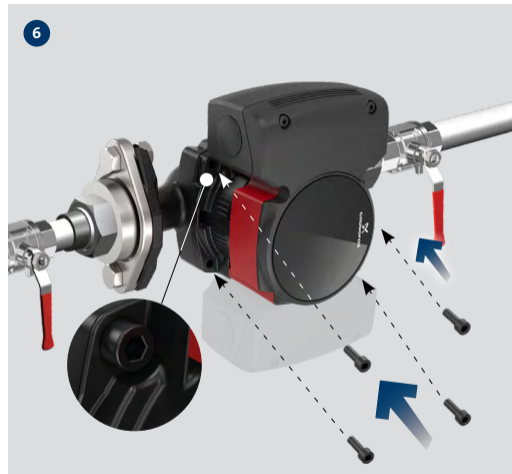
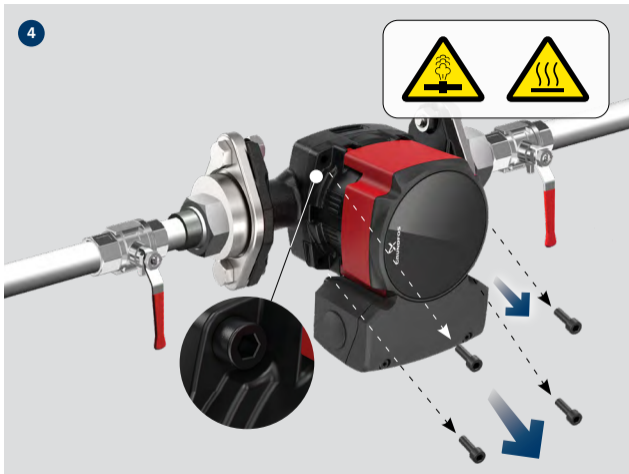


i

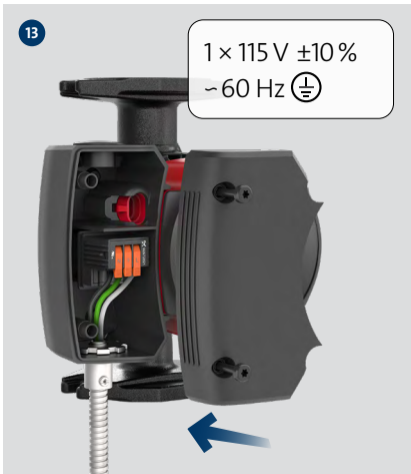






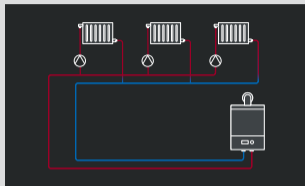




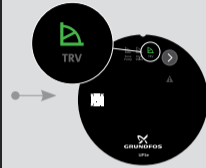
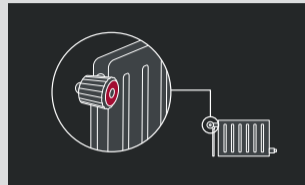


Application guide / Guide des applications / Guía de aplicaciones

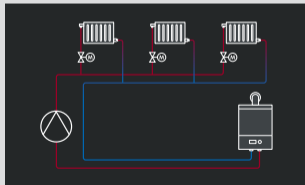
Zone pump
Pompe de zone
Bomba sectorial



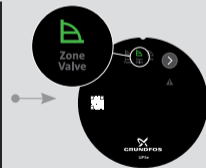
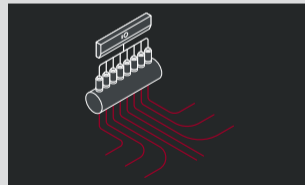
TRV (thermostatic radiator valves)
TRV (Vannes thermostatiques pour radiateur)
TRV (válvulas termostáticas de radiador)




Zone valve
Vanne de régulation par zones
Válvula de zona





Floor heating with actuators
Système de plancher chauffant avec vérin
Calefacción de suelo con actuadores






Troubleshooting / Dépannage / Solución de problemas

4 ×  Dry running
Marche à sec
Funcionamiento en seco

1 ×  Pump blocked
Pompe bloquée
Bomba bloqueada

2 ×  Undervoltage
Sous-tension
Subtensión

3 ×  / 3 ×  Electrical fault
Défaut électrique
Avería eléctrica



Canada

GRUNDFOS Canada inc.
2941 Brighton Road
Oakville, Ontario
L6H 6C9
Tel.: +1-905 829 9533
Fax: +1-905 829 9512

U.S.A.

GRUNDFOS Water Utility Headquarters
856 Koomey Road
Brookshire, Texas 77423 USA

GRUNDFOS CBS Inc.
902 Koomey Road
Brookshire, TX 77423 USA
Phone: 281-994-2700
Toll Free: 1-800-955-5847
Fax: 1-800-945-4777

GRUNDFOS Pumps Corporation
9300 Loiret Boulevard
Lenexa, Kansas 66219 USA
Tel.: +1 913 227 3400
Fax: +1 913 227 3500

Mexico

Bombas GRUNDFOS de México
S.A. de C.V.
Boulevard TLC No. 15
Parque industrial Stiva Aeropuerto
Apodaca, N.L. 66600
Tel.: +52-81-8144 4000
Fax: +52-81-8144 4010

Addresses Revised 04.2021

92719190 06.2022 / ECM: 1341581



(93)92719190

GRUNDFOS Holding A/S

Poul Due Jensens Vej 7

DK-8850 Bjerringbro

Tel: +45 87 50 14 00

www.grundfos.com

GRUNDFOS 

Trademarks displayed in this material, including but not limited to Grundfos and the Grundfos logo are registered trademarks owned by The Grundfos Group. All rights reserved.

© 2022 Grundfos Holding A/S, all rights reserved.