

39. LS

LS, with sleeve

Example: pump with sleeve

LS 125 -100 -305X /273.1 , (W) 1 F2 **A** S BBQE 1

Material code: A, C, B, K

50/60 Hz

Bearing

Pos.	Description	LS 65	LS 100-80-241	LS 100-80-242XE	LS 100-80-356	LS 200-150-381
		LS 100-80-241			LS 125	LS 200-150-483
					LS 150	LS 250
					LS 200-150-305	LS 300-250-305
	Kit No	96827576	96827582	96827577	96827578	
53	Bearing	1	1	1	1	1
54	Bearing	1	1	1	1	1
54c	Washer	-	-	-	-	1
54d	Snap ring	-	-	-	-	1
109b	Gasket	-	-	-	-	2
113e	Gasket	2	2	2	2	-

Pos.	Description	LS 200-150-483 X6	LS 300-250-381	LS 350-250-498	LS 300-200-489
		LS 200-150-508		LS 350-250-630	LS 350-300-508
					LS 450-350-397
	Kit No	96827579	96827581	96840087	96840088
53	Bearing	1	1	1	1
54	Bearing	1	1	1	1
54c	Washer	1	-	-	2
54d	Snap ring	1	1	1	1
109b	Gasket	2	-	-	-
110a	Gasket	2	-	-	-
113e	Gasket	-	2	2	2
113f	Lip seal	2	-	2	2
113g	Lip seal	-	-	1	1

Gasket

Pos.	Description	LS 65-50-241	LS 100-80-356	LS 150-125-305	LS 150-125-381	LS 200-150-305X
		LS 65-50-330	LS 125-100-X			
		LS 100-80-241				
	Kit No	96827585	96827587	96827593	96827586	96827595
72a	Gasket	1	2	2	2	2
79	Slinger	2	2	2	2	2
109b	Gasket	2	2	2	2	2
113e	Gasket	2	1	1	1	1

Pos.	Description	LS 200-150-483	LS 200-150-381	LS 250-200-305	LS 250-200-381	LS 300-250-305
			LS 200-150-381B			
	Kit No	96840076	96827588	96827603	96827609	96827613
66	O-ring	-	-	-	-	2
72a	Gasket	1	1	1	1	1
79	Slinger	2	2	2	2	2

Pos.	Description	LS 200-150-483	LS 200-150-381 LS 200-150-381B	LS 250-200-305	LS 250-200-381	LS 300-250-305
		Kit No	96840076	96827588	96827603	96827609
109	O-ring	2	2	2	2	
109b	Gasket	-	2	2	2	2
110	O-ring	2	-	-	-	-

Pos.	Description	LS 200-150-508	LS 300-200-489	LS 350-250-498	LS 350-250-630	LS 350-300-508
		Kit No	96827599	96827611	96840077	96840078
66	O-ring	2	-	-	2	-
72a	Gasket	1	1	1	1	1
79	Slinger	2	2	2	2	2
109	O-ring	-	2	2	2	2
109a	O-ring	-	2	2	2	2
110	O-ring	-	2	2	-	2
110a	Gasket	2	-	-	-	-
113e	Gasket	-	2	2	2	2

Pos.	Description	LS 300-250-381	LS 450-350-397
		Kit No	92854850
72a	Gasket	1	1
79	Slinger	-	2
109	O-ring	1	2
109a	O-ring	-	2
110	O-ring	2	2
113e	Gasket	2	2
113f	Lip seal	-	2
113g	Lip seal	-	1

Hardware

Pos.	Description	LS 65-50-241 LS 65-50-330 LS 100-80-241 LS 100-80-241XE	LS 100-80-356	LS 125-100-279 LS 125-100-305	LS 125-100-381	LS 150-125-305 LS 200-150-305C
		Kit No	96827660	96827622	96827624	96827626
26	Stud		28	28	28	
26b	Roll pin	2	2	2	2	2
26c	Cap screw	12	12	10	12	54
26d	Cap screw	8	4	4	4	4
36	Nut	-	28	28	28	-
114a	Cap screw	8	8	8	8	8

Pos.	Description	LS 150-125-381 LS 200-150-305A	LS 200-150-381 LS 200-150-381B LS 250-200-305 LS 250-200-381 LS 300-250-305	LS 200-150-483 LS 200-150-483XE	LS 200-150-508	LS 300-200-489 LS 350-300-508
		Kit No	96827632	96827636	96827640	96827644
26b	Roll pin	2	2	2	2	2
26c	Cap screw	50	56	60	26	60
26d	Cap screw	4	4	4	4	4
58a	Cap screw	-	-	8	4	8
114	Screw	-	-	-	-	24
114a	Cap screw	8	4	8	8	8
114b	Cap screw	-	4	16	12	12

Pos.	Description	LS 300-250-381	LS 350-250-498	LS 350-250-630	LS 450-350-397
		Kit No	96827651	96840082	96840083
26b	Roll pin	2	2	2	2
26c	Cap screw	34	36	32	
26d	Cap screw	-	4	4	
58a	Cap screw	8	8	8	
114	Cap screw	24	28	28	
114a	Cap screw	8	8	12	

Impeller

The kit consists of impeller (pos. 49) and key (pos. 11 and 11a).

Description	Kit No			
	Silicon bronze (B21)	Nickel-aluminium-bronze (B22)	AISI-304 (H304)	AISI-316 (H316)
LS 65-50-241	96827641	96903628	96903630	96903631
LS 65-50-330	96827639	96903632	96903633	96903634
LS 100-80-241	96827663	96903635	96903636	96903637
LS 100-80-241 XE	96827662	96903638	96903639	96903640
LS 100-80-356	96827666	96903641	96903642	96903643
LS 100-80-356 B	97735873	97931497	97932509	97932511
LS 100-80-356 F	-	-	92817528	-
LS 125-100-279	96827668	96903644	96903645	96903647
LS 125-100-279 F	-	-	92817525	-
LS 125-100-305	96827670	96903648	96903649	96903650
LS 125-100-381	96827669	96903651	96903652	96903653
LS 125-100-381 G	92817524	-	-	-
LS 125-100-388	97735854	97735940	-	-
LS 150-125-305	96827667	96903654	96903655	96903656
LS 150-125-381	96827665	96903657	96903658	96903659
LS 200-150-305 A	96827664	96903660	96903661	96903662
LS 200-150-381	96827659	96903667	96903668	96903669
LS 200-150-381 B	97937562	97937563	97937564	97937565
LS 200-150-483	96840089	96903670	96903671	96903682
LS 200-150-483 E	-	-	92817526	-
LS 200-150-483 X6	96843910	96903683	96903684	96903687
LS 200-150-508	96827655	96903688	96903689	96903690
LS 250-200-305	96827653	96903691	96903692	96903693
LS 250-200-381	96827652	96903694	96903695	96903696
LS 300-200-489	96827650	96903697	96903698	96903699
LS 300-200-489 D	-	-	92817527	-
LS 300-250-305	97735871	97931510	97948029	97932522
LS 300-250-305B	97735871	97931510	97948029	97932522
LS 300-250-381	96827646	96903703	96903704	96903705
LS 350-250-498	96840090	96903706	96903707	96903708
LS 350-250-630	96840091	96903709	96903710	96903712
LS 350-300-508	96840102	96903713	96903714	96903715
LS 450-350-397	96840103	-	96903717	-

Shaft with sleeve

The kit consists of shaft (pos. 51) and key (pos. 11 and 11a).

Description	Kit No	
	Clockwise	Counterclockwise
LS 65-50-241	99393281	99393281
LS 65-50-330	99393281	99393281
LS 100-80-241	99393281	99393281
LS 100-80-356	99393282	99393283
LS 125-100-279	99393282	99393283
LS 125-100-305	99393282	99393283
LS 150-125-305	99393284	99393285
LS 150-125-381	99393286	99393287
LS 200-150-305	99393286	99393287
LS 200-150-381	99393288	99393289
LS 200-150-483	99393290	99393291
LS 200-150-508	99393292	99393293
LS 250-200-305	99393288	99393289
LS 250-200-381	99393294	99393295
LS 300-200-489	97527402	99393297
LS 300-250-305	99393298	99393299
LS 300-250-381	99393300	99393301
LS 350-250-498	99393302	99393303
LS 350-250-630	99393304	99393305
LS 350-300-508	99393306	99393308
LS 450-350-397	92854855	92854856
LS 100-80-241 XE	99393309	99393310
LS 200-150-483 X6	99393311	99393312
LS 125-100-388	99393282	99393283

Packing

Pos.	Description	LS 65	LS 100-80-241 XE	LS 100-80-356	LS 200-150-381	LS 200-150-483 X6
		LS 100-80-241		LS 125	LS 200-150-483	
Kit No		96920260	96920261	LS 150	LS 250	
				LS 200-150-305	LS 300-250-305	
107	Packing ring	10	12	10	10	10
108	Distribution ring	2	2	2	2	2
-	Snap ring	2	-	2	2	2

Pos.	Description	LS 200-150-508	LS 300-200-489	LS 300-250-381	LS 350-250-498
			LS 350-300-508		LS 350-250-630
Kit No		96920265	96920266	96920267	96920268
107	Packing ring	8	10	10	10
108	Distribution ring	2	2	2	2
-	Snap ring	2	2	2	2

Packing gland

Pos.	Description	LS 65	LS 100-80-241 XE	LS 100-80-356	LS 200-150-381	LS 200-150-483 X6
		LS 100-80-241		LS 125	LS 200-150-483	
Kit No		96920269	96920270	LS 150	LS 250-200-305	
				LS 200-150-305	LS 250-200-381	LS 200-150-508
					LS 300-250-305	
106	Packing gland	2	2	2	2	2
115	Stud	4	4	4	4	4
115a	Nut	4	4	4	4	4

Pos.	Description	LS 300-200-489	LS 300-250-381	LS 350-250-498
		LS 350-300-508		LS 350-250-630
Kit No		96920274	96920275	96920276
106	Packing gland	2	2	2
115	Stud	4	4	4
115a	Nut	4	4	4

Shaft sleeve, bronze (B18)

Pos.	Description	LS 100-80-241 XE	LS 100-80-356 LS 125 LS 200-150-305A	LS 150 LS 200-150-305C	LS 200-150-381 LS 250-200-305 LS 250-200-381 LS 300-250-305	LS 200-150-483
		Kit No	96827634	96827638	96827637	96827635
66	O-ring	2	2	2	2	2
67a	Impeller nut	1	-	-	1	1
67b	Impeller nut	1	-	-	1	1
116	Sleeve	2	-	-	2	2
116a	Locking sleeve	-	1	1	-	-
116b	Locking sleeve	-	1	1	-	-
116e	Screw	4	-	-	4	4

Pos.	Description	LS 200-150-483 X6	LS 200-150-508	LS 300-200-489	LS 200-150-483 X6	LS 300-250-381
		Kit No	96827631	96827630	96827628	96827631
66	O-ring	2	2	2	2	2
67a	Impeller nut	1	1	1	1	1
67b	Impeller nut	1	1	1	1	1
116	Sleeve	2	2		2	2
116c	Inner sleeve	-	-	2	-	-
116d	Shaft sleeve	-	-	1	-	-
116e	Screw	4	4	4	4	4

Pos.	Description	LS 350-250-498	LS 350-250-630	LS 350-300-508	LS 450-350-397
		Kit No	96840104	96840105	96840106
66	O-ring	2	2	2	2
67a	Impeller nut	1	1	1	1
67b	Impeller nut	1	1	1	1
116c	Inner sleeve	2	2	2	2
116d	Shaft sleeve	2	2	2	2
116e	Screw	4	4	4	4

Shaft sleeve, AISI 303 (H303)

Pos.	Description	LS 100-80-241 XE	LS 100-80-356 LS 125 LS 200-150-305A	LS 150 LS 200-150-305C	LS 200-150-381 LS 250-200-305 LS 250-200-381 LS 300-250-305	LS 200-150-483
		Kit No	96903963	96903964	96903965	96903966
66	O-ring	2	2	2	2	2
67a	Impeller nut	1	-	-	1	1
67b	Impeller nut	1	-	-	1	1
116	Sleeve	2	-	-	2	2
116a	Locking sleeve	-	1	1	-	-
116b	Locking sleeve	-	1	1	-	-
116e	Screw	4	-	-	4	4

Pos.	Description	LS 200-150-483 X6	LS 200-150-508	LS 300-200-489	LS 200-150-483 X6	LS 300-250-381
		Kit No	96903982	96903969	96903985	96903982
66	O-ring	2	2	2	2	2
67a	Impeller nut	1	1	1	1	1
67b	Impeller nut	1	1	1	1	1
116	Sleeve	2	2	-	2	2
116c	Inner sleeve	-	-	2	-	-
116d	Shaft sleeve	-	-	1	-	-
116e	Screw	4	4	4	4	4

Pos.	Description	LS 350-250-498	LS 350-250-630	LS 350-300-508
		Kit No	96903983	96903970
66	O-ring	2	2	2
67a	Impeller nut	1	1	1
67b	Impeller nut	1	1	1
116c	Sleeve	2	2	2
116d	Shaft sleeve	2	2	2
116e	Screw	4	4	4

Shaft seal (BBVP)

Pos.	Description	LS 65, LS 100-80-241		LS 100-80-241 XE		LS 100-80-356 LS 125		LS 150-125-305	
		PN16	PN10	PN16	PN10	PN16	PN10	PN16	PN10
		Kit No	96840108	96902648	96840109	96902657	96840110	96902669	96840111
53	Bearing	1	1	1	1	1	1	1	1
54	Bearing	1	1	1	1	1	1	1	1
66	O-ring	-	-	2	-	2	2	-	-
72a	Gasket	1	1	1	1	1	1	1	1
79	Slinger	2	2	2	2	2	2	2	2
105	Shaft seal	2	2	2	2	2	2	2	2
109b	Gasket	2	2	2	2	-	-	2	2
113e	Gasket	2	2	2	2	2	2	2	2

Pos.	Description	LS 150-125-381		LS 200-150-305		LS 200-150-381 LS 200-150-483		LS 200-150-483 X6 LS 200-150-508	
		PN16	PN10	PN16	PN10	PN16	PN10	PN16	PN10
		Kit No	96840112	96902688	96840113	96902694	96840114	96902698	96840115
53	Bearing	1	1	1	1	1	1	1	1
54	Bearing	1	1	1	1	1	1	1	1
66	O-ring	-	-	2	2	-	-	2	2
72a	Gasket	1	1	1	1	1	1	1	1
79	Slinger	2	2	2	2	2	2	2	2
105	Shaft seal	2	2	2	2	2	2	2	2
109	O-ring	2	2	2	2	2	2	-	-
109b	Gasket	-	-	-	-	2	2	2	2
110	O-ring	-	-	-	-	-	-	2	-
110a	Gasket	-	-	-	-	-	-	2	2
113e	Gasket	2	2	2	2	-	-	-	-
113f	Lip seal	-	-	-	-	-	-	2	2



Pos.	Description	LS 250-200-305		LS 250-200-381	
		PN16	PN10	PN16	PN10
		Kit No	96840116	96902708	96840117
53	Bearing	1	1	1	1
54	Bearing	1	1	1	1
72a	Gasket	1	1	1	1
79	Slinger	2	2	2	-
105	Shaft seal	2	2	2	2
109	O-ring	2	2	2	2
109b	Gasket	2	2	2	2

Pos.	Description	LS 300-200-489		LS 300-250-305		LS 300-250-381		LS 350-250-498	
		PN16	PN10	PN16	PN10	PN16	PN10	PN16	PN10
		Kit No	96840118	96840118	96840119	96902723	96840120	96902736	96840121
53	Bearing	1	1	1	1	1	1	1	1
54	Bearing	1	1	1	1	1	1	1	1
72a	Gasket	1	1	1	1	1	1	1	1
79	Slinger	2	2	2	2	2	2	2	2
105	Shaft seal	2	2	2	2	2	2	2	2
109	O-ring	2	2	2	2	2	2	2	2
109a	O-ring	2	2	-	-	-	-	2	-
109b	Gasket	-	-	2	2	-	-	-	-
110	O-ring	2	2	-	-	2	2	2	2
113e	Gasket	2	2	-	-	2	2	2	2
113f	Lip seal	2	2	-	-	-	-	2	2
113g	Lip seal	1	1	-	-	-	-	2	2

Pos.	Description	LS 350-250-630		LS 350-300-508	
		BBVP	BBVP	BBVP	BBVP
		PN16	PN10	PN16	PN10
Kit No	96843907	96843907	96843908	96843908	
53	Bearing	1	1	1	1
54	Bearing	1	1	1	1
72a	Gasket	1	1	1	1
79	Slinger	2	2	2	2
105	Shaft seal	2	2	2	2
109	O-ring	2	2	2	2
109a	O-ring	2	-	2	2
110	O-ring	2	2	2	2
113e	Gasket	2	2	2	2
113f	Lip seal	2	2	2	2
113g	Lip seal	2	2	2	2

Shaft seal (BBQV)

Pos.	Description	LS 65, LS 100-80-241		LS 100-80-241 XE		LS 100-80-356 LS 125		LS 150-125-305	
		PN16	PN10	PN16	PN10	PN16	PN10	PN16	PN10
		Kit No	96902647	96902650	96902654	96902662	96902664	96902670	96902671
53	Bearing	1	1	1	1	1	1	1	1
54	Bearing	1	1	1	1	1	1	1	1
66	O-ring	-	-	-	-	2	2	-	-
72a	Gasket	1	1	1	1	1	1	1	1
79	Slinger	2	2	2	2	2	2	2	2
105	Shaft seal	2	2	2	2	2	2	2	2

Pos.	Description	LS 65, LS 100-80-241		LS 100-80-241 XE		LS 100-80-356 LS 125		LS 150-125-305	
		PN16	PN10	PN16	PN10	PN16	PN10	PN16	PN10
		Kit No	96902647	96902650	96902654	96902662	96902664	96902670	96902671
109	O-ring	-	-	-	-	2	2	2	2
109b	Gasket	2	2	2	2	-	-	-	-
113e	Gasket	2	2	2	2	2	2	2	2

Pos.	Description	LS 150-125-381		LS 200-150-305		LS 200-150-381 LS 200-150-483		LS 200-150-483 X6 LS 200-150-508	
		PN16	PN10	PN16	PN10	PN16	PN10	PN16	PN10
		Kit No	96902684	96902691	96902693	96902695	96902696	96902699	96902700
53	Bearing	1	1	1	1	1	1	1	1
54	Bearing	1	1	1	1	1	1	1	1
66	O-ring	-	-	2	2	-	-	2	2
72a	Gasket	1	1	1	1	1	1	1	1
79	Slinger	2	2	2	2	2	2	2	2
105	Shaft seal	2	2	2	2	2	2	2	2
109	O-ring	2	2	2	2	2	2	-	-
109b	Gasket	-	-	-	-	2	2	2	2
110a	Gasket	-	-	-	-	-	-	2	2
113e	Gasket	2	2	2	2	-	-	-	-
113f	Lip seal	-	-	-	-	-	-	2	2

Pos.	Description	LS 250-200-305		LS 250-200-381	
		PN16	PN10	PN16	PN10
		Kit No	96902705	96902709	96902713
53	Bearing	1	1	1	1
54	Bearing	1	1	1	1
72a	Gasket	1	1	1	1
79	Slinger	2	2	-	-
105	Shaft seal	2	2	2	2
109	O-ring	2	2	2	2
109b	Gasket	2	2	2	2

Pos.	Description	LS 300-200-489		LS 300-250-305		LS 300-250-381		LS 350-250-498	
		PN16	PN10	PN16	PN10	PN16	PN10	PN16	PN10
		Kit No	96902717	96902717	96902719	96902729	96902732	96902738	96902743
53	Bearing	1	1	1	1	1	1	1	1
54	Bearing	1	1	1	1	1	1	1	1
72a	Gasket	1	1	1	1	1	1	1	1
79	Slinger	2	2	2	2	2	2	2	2
105	Shaft seal	2	2	2	2	2	2	2	2
109	O-ring	2	2	2	2	2	2	2	2
109a	O-ring	2	2	-	-	-	-	-	-
109b	Gasket	-	-	2	2	-	-	-	-
110	O-ring	2	2	-	-	2	2	2	2
113e	Gasket	2	2	-	-	2	2	2	2
113f	Lip seal	2	2	-	-	-	-	2	2
113g	Lip seal	1	1	-	-	-	-	2	2

Pos.	Description	LS 350-250-630		LS 350-300-508		LS 450-350-397	
		PN16	PN10	PN16	PN10	PN 16	PN 10
		Kit No	96902744	96902744	96902747	96902747	92854860
53	Bearing	1	1	1	1	1	1
54	Bearing	1	1	1	1	1	1
72a	Gasket	1	1	1	1	1	1
79	Slinger	2	2	2	2	2	2
105	Shaft seal	2	2	2	2	2	2
109	O-ring	2	2	2	2	2	2
109a	O-ring	-	-	2	2	2	2
110	O-ring	2	2	2	2	2	2
113e	Gasket	2	2	2	2	2	2
113f	Lip seal	2	2	2	2	2	2
113g	Lip seal	2	2	2	2	2	2

Wear ring, bronze (B18)

Pos.	Description	LS 65-50-241	LS 100-80-241	LS 100-80-356B	LS 100-80-356	LS 125-100-388
		LS 65-50-241 331	LS 100-80-241 XE		LS 125-100-279 LS 125-100-381	
	Kit No	96827589	96827617	97735851	96827614	97735910
24	Roll pin	2	2	2	2	2
45b/c	Wear ring	2	2	2	2	2
65	Snap ring	2	2	-	2	-

Pos.	Description	LS 125-100-305	LS 150-125-305	LS 200-150-305A	LS 200-150-305C
			LS 150-125-381		
	Kit No	96827612	96827610	96827608	96827607
24	Roll pin	2	2	2	2
45b/c	Wear ring	2	2	2	2
65	Snap ring	2	-	2	-

Pos.	Description	LS 200-150-381	LS 200-150-483	LS 200-150-508	LS 250-200-305
			LS 200-150-483 X6		
	Kit No	96827606	96840041	96827604	96827602
24	Roll pin	2	2	2	2
45a/b/c	Wear ring	2	2	2	2
65	Snap ring	-	2	-	-

Pos.	Description	LS 300-200-489	LS 350-250-498	LS 350-250-630	LS 350-300-508
	Kit No	96827600	96840072	96840073	96840074
24	Roll pin	2	2	-	-
45a/b/c	Wear ring	2	2	2	2
65	Snap ring	-	-	2	2

Pos.	Description	LS 250-200-381	LS 300-250-305	LS 300-250-305B	LS 300-250-381
	Kit No	96827601	96827598	97932523	96827596
24	Roll pin	2	2	2	2
45a/b/c	Wear ring	2	2	2	2
65	Snap ring	-	-	-	-

Wear ring, stainless steel (N5)

Pos.	Description	LS 65-50-241	LS 100-80-241	LS 100-80-356B	LS 100-80-356	LS 125-100-388
		LS 65-50-241 331	LS 100-80-241 XE		LS 125-100-279 LS 125-100-381	
Kit No		96927584	96927585	97933098	96927586	97735921
24	Roll pin	2	2	2	2	2
45b/c	Wear ring	2	2	2	2	2
65	Snap ring	2	2	-	2	-

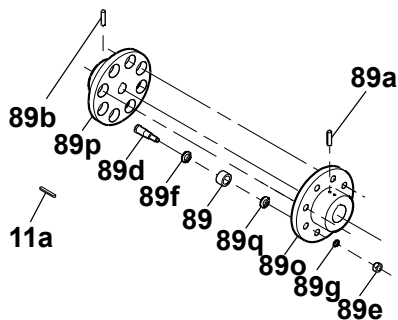
Pos.	Description	LS 125-100-305	LS 150-125-305	LS 200-150-305A	LS 200-150-305C
			LS 150-125-381		
Kit No		96927587	96927588	96927589	96927590
24	Roll pin	2	2	2	2
45b/c	Wear ring	2	2	2	2
65	Snap ring	2	-	2	-

Pos.	Description	LS 200-150-381	LS 200-150-483	LS 200-150-508	LS 250-200-305
			LS 200-150-483 X6		
Kit No		96927591	96927602	96927603	96927604
24	Roll pin	2	2	2	2
45a/b/c	Wear ring	2	2	2	2
65	Snap ring	-	2	-	-

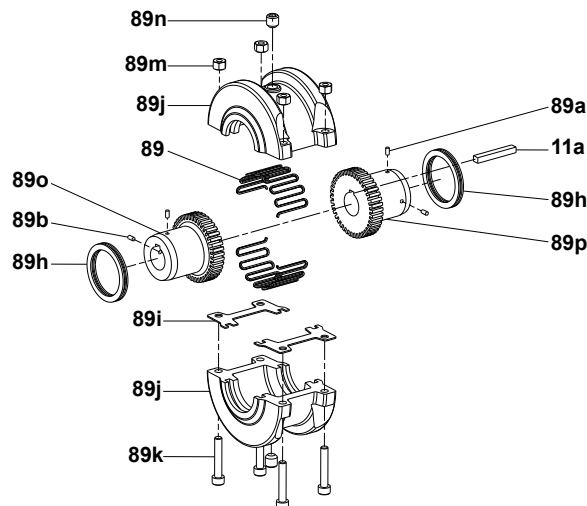
Pos.	Description	LS 300-200-489	LS 350-250-498	LS 350-250-630	LS 350-300-508
Kit No		96927606	96927609	96927610	96927611
24	Roll pin	2	2	-	-
45a/b/c	Wear ring	2	2	2	2
65	Snap ring	-	-	2	2

Pos.	Description	LS 250-200-381	LS 300-250-305	LS 300-250-305BB	LS 300-250-381
Kit No		96927605	96927607	97948031	96927608
24	Roll pin	2	2	2	2
45a/b/c	Wear ring	2	2	2	2
65	Snap ring	-	-	-	-

Coupling



TM044767



TM074153

Grundfos standard coupling			Grid coupling	
Coupling complete	Rubber	Bolts	Coupling complete	
89o: 1 x male part		89d: 1 set of bolts	89o: 1 x coupling hub pump match	
89p: 1 x female part		89f: 1 set of washers	89p: 1 x coupling hub motor match	
89d: 1 set of bolts/rubber parts	89: 1 set	89q: 1 set of washers	11a: 1 x key	
89a: 1 x hexagon screw		89g: 1 set of lock washers		
89b: 1 x hexagon screw		89e: 1 set of nuts		
11a: 1 x key		89: 1 set of rubber parts		

Pump typ	Motor brand	Pole	Power [kW]	Frame size	Shaft diameter [mm]		Coupling type	Grundfos standard coupling, pin bush			Grid coupling	
					Pump	Motor		Kit No	Rubber	Bolts	Coupling complete	Assemble set
LS 65-50-241	MG	2	11	160MB	25.4	42	D180	99390275	96789247	96809941	-	-
LS 65-50-241	MG	2	15	160MD	25.4	42	D180	99390275	96789247	96809941	-	-
LS 65-50-241	MG	2	18.5	160LB	25.4	42	D180	99390275	96789247	96809941	-	-
LS 65-50-241	MG	2	22	180MB	25.4	48	D200	99390276	96789269	96809942	-	-
LS 65-50-241	Siemens	2	30	200L	25.4	55	D200	99390277	96789269	96809942	-	-
LS 65-50-241	Siemens	2	37	200L	25.4	55	D200	99390277	96789269	96809942	-	-
LS 65-50-241	Siemens	2	45	225M	25.4	55	D200	99390277	96789269	96809942	-	-
LS 65-50-241	MMG-G	2	11	160M	25.4	42	D180	99390275	96789247	96809941	-	-
LS 65-50-241	MMG-G	2	15	160M	25.4	42	D180	99390275	96789247	96809941	-	-
LS 65-50-241	MMG-G	2	18.5	160L	25.4	42	D180	99390275	96789247	96809941	-	-
LS 65-50-241	MMG-G	2	22	180M	25.4	48	D200	99390276	96789269	96809942	-	-
LS 65-50-241	MMG-G	2	30	200L	25.4	55	D200	99390277	96789269	96809942	-	-
LS 65-50-241	MMG-G	2	37	200L	25.4	55	D200	99390277	96789269	96809942	-	-
LS 65-50-241	MMG-G	2	45	225MA	25.4	55	D200	99390277	96789269	96809942	-	-
LS 65-50-241	MMG-G	2	55	250MA	25.4	60	D200	99390278	96789269	96809942	-	-
LS 65-50-241	MMG-G	2	75	280SA	25.4	65	D200	99596717	96789269	96809942	-	-
LS 65-50-241	MG	4	1.5	90LC	25.4	24	D125	99390271	96789247	96809939	-	-
LS 65-50-241	MG	4	2.2	100LB	25.4	28	D140	99390272	96789247	96809940	-	-
LS 65-50-241	MG	4	3	100LC	25.4	28	D140	99390272	96789247	96809940	-	-
LS 65-50-241	MG	4	4	112MC	25.4	28	D140	99390272	96789247	96809940	-	-
LS 65-50-241	MG	4	5.5	132SB	25.4	38	D160	99390274	96789247	96809941	-	-
LS 65-50-241	MMG-G	4	1.5	90L	25.4	24	D125	99390271	96789247	96809939	-	-
LS 65-50-241	MMG-G	4	11	160M	25.4	42	D180	99390275	96789247	96809941	-	-
LS 65-50-241	MMG-G	4	2.2	100L	25.4	28	D140	99390272	96789247	96809940	-	-
LS 65-50-241	MMG-G	4	3	100L	25.4	28	D140	99390272	96789247	96809940	-	-
LS 65-50-241	MMG-G	4	4	112M	25.4	28	D140	99390272	96789247	96809940	-	-
LS 65-50-241	MMG-G	4	5.5	132S	25.4	38	D160	99390274	96789247	96809941	-	-

Pump typ	Motor brand	Pole	Power [kW]	Frame size	Shaft diameter [mm]		Coupling type	Grundfos standard coupling, pin bush			Grid coupling	
					Pump	Motor		Kit No	Rubber	Bolts	Coupling complete	Assemble set
LS 65-50-241	MMG-G	4	7.5	132M	25.4	38	D160	99390274	96789247	96809941	-	-
LS 65-50-330	MG	4	11	160MA	25.4	42	D180	99390275	96789247	96809941	-	-
LS 65-50-330	MG	4	15	160LB	25.4	42	D180	99390275	96789247	96809941	-	-
LS 65-50-330	MG	4	4	112MC	25.4	28	D140	99390272	96789247	96809940	-	-
LS 65-50-330	MG	4	5.5	132SB	25.4	38	D160	99390274	96789247	96809941	-	-
LS 65-50-330	MG	4	7.5	132MB	25.4	38	D160	99390274	96789247	96809941	-	-
LS 65-50-330	MMG-G	4	11	160M	25.4	42	D180	99390275	96789247	96809941	-	-
LS 65-50-330	MMG-G	4	15	160L	25.4	42	D180	99390275	96789247	96809941	-	-
LS 65-50-330	MMG-G	4	18.5	180M	25.4	48	D200	99390276	96789269	96809942	-	-
LS 65-50-330	MMG-G	4	22	180L	25.4	48	D200	99390276	96789269	96809942	-	-
LS 65-50-330	MMG-G	4	4	112M	25.4	28	D140	99390272	96789247	96809940	-	-
LS 65-50-330	MMG-G	4	5.5	132S	25.4	38	D160	99390274	96789247	96809941	-	-
LS 65-50-330	MMG-G	4	7.5	132M	25.4	38	D160	99390274	96789247	96809941	-	-
LS 100-80-241	MG	2	15	160MD	25.4	42	D180	99390275	96789247	96809941	-	-
LS 100-80-241	MG	2	18.5	160LB	25.4	42	D180	99390275	96789247	96809941	-	-
LS 100-80-241	MG	2	22	180MB	25.4	48	D200	99390276	96789269	96809942	-	-
LS 100-80-241	Siemens	2	30	200L	25.4	55	D200	99390277	96789269	96809942	-	-
LS 100-80-241	Siemens	2	37	200L	25.4	55	D200	99390277	96789269	96809942	-	-
LS 100-80-241	Siemens	2	45	225M	30.16	55	D200	99409898	96789269	96809942	-	-
LS 100-80-241	Siemens	2	55	250M	30.16	60	D200	99596693	96789269	96809942	-	-
LS 100-80-241	Siemens	2	75	280S	30.16	65	D200	99596687	96789269	96809942	-	-
LS 100-80-241	MG	2	15	160MD	25.4	42	D180	99390275	96789247	96809941	-	-
LS 100-80-241	MMG-G	2	110	315SA	30.16	65	D200	99596687	96789269	96809942	-	-
LS 100-80-241	MMG-G	2	15	160M	25.4	42	D180	99390275	96789247	96809941	-	-
LS 100-80-241	MMG-G	2	18.5	160L	25.4	42	D180	99390275	96789247	96809941	-	-
LS 100-80-241	MMG-G	2	22	180M	25.4	48	D200	99390276	96789269	96809942	-	-
LS 100-80-241	MMG-G	2	30	200L	25.4	55	D200	99390277	96789269	96809942	-	-
LS 100-80-241	MMG-G	2	37	200L	25.4	55	D200	99390277	96789269	96809942	-	-
LS 100-80-241	MMG-G	2	45	225MA	25.4	55	D200	99390277	96789269	96809942	-	-
LS 100-80-241	MMG-G	2	45	225MA	30.16	55	D200	99409898	96789269	96809942	-	-
LS 100-80-241	MMG-G	2	55	250MA	30.16	60	D200	99596693	96789269	96809942	-	-
LS 100-80-241	MMG-G	2	75	280SA	30.16	65	D200	99596687	96789269	96809942	-	-
LS 100-80-241	MMG-G	2	90	280MA	30.16	65	D200	99596687	96789269	96809942	-	-
LS 100-80-241	MG	4	2.2	100LB	25.4	28	D140	99390272	96789247	96809940	-	-
LS 100-80-241	MG	4	3	100LC	25.4	28	D140	99390272	96789247	96809940	-	-
LS 100-80-241	MG	4	4	112MC	25.4	28	D140	99390272	96789247	96809940	-	-
LS 100-80-241	MG	4	5.5	132SB	25.4	38	D160	99390274	96789247	96809941	-	-
LS 100-80-241	MG	4	7.5	132MB	25.4	38	D160	99390274	96789247	96809941	-	-
LS 100-80-241	MMG-G	4	11	160M	25.4	42	D180	99390275	96789247	96809941	-	-
LS 100-80-241	MMG-G	4	15	160L	25.4	42	D180	99390275	96789247	96809941	-	-
LS 100-80-241	MMG-G	4	2.2	100L	25.4	28	D140	99390272	96789247	96809940	-	-
LS 100-80-241	MMG-G	4	3	100L	25.4	28	D140	99390272	96789247	96809940	-	-
LS 100-80-241	MMG-G	4	4	112M	25.4	28	D140	99390272	96789247	96809940	-	-
LS 100-80-241	MMG-G	4	5.5	132S	25.4	38	D160	99390274	96789247	96809941	-	-
LS 100-80-241	MMG-G	4	7.5	132M	25.4	38	D160	99390274	96789247	96809941	-	-
LS 100-80-356	MG	4	11	160MA	38.1	42	D180	99390282	96789247	96809941	-	-
LS 100-80-356	MG	4	15	160LB	38.1	42	D180	99390282	96789247	96809941	-	-
LS 100-80-356	Siemens	4	18.5	180M	38.1	48	D200	99390281	96789269	96809942	-	-
LS 100-80-356	Siemens	4	22	180L	38.1	48	D200	99390281	96789269	96809942	-	-
LS 100-80-356	Siemens	4	30	200L	38.1	55	D200	99390283	96789269	96809942	-	-
LS 100-80-356	MG	4	7.5	132MB	38.1	38	D160	99390280	96789247	96809941	-	-
LS 100-80-356	MMG-G	4	11	160M	38.1	42	D180	99390282	96789247	96809941	-	-

Pump typ	Motor brand	Pole	Power [kW]	Frame size	Shaft diameter [mm]		Coupling type	Grundfos standard coupling, pin bush			Grid coupling	
					Pump	Motor		Kit No	Rubber	Bolts	Coupling complete	Assemble set
LS 100-80-356	MMG-G	4	15	160L	38.1	42	D180	99390282	96789247	96809941	-	-
LS 100-80-356	MMG-G	4	18.5	180M	38.1	48	D200	99390281	96789269	96809942	-	-
LS 100-80-356	MMG-G	4	22	180L	38.1	48	D200	99390281	96789269	96809942	-	-
LS 100-80-356	MMG-G	4	30	200L	38.1	55	D200	99390283	96789269	96809942	-	-
LS 100-80-356	MMG-G	4	37	225S	38.1	60	D224	99390284	96789269	96809942	-	-
LS 100-80-356	MMG-G	4	45	225M	38.1	60	D224	99390284	96789269	96809942	-	-
LS 100-80-356	MMG-G	4	7.5	132M	38.1	38	D160	99390280	96789247	96809941	-	-
LS 125-100-279	MG	2	18.5	160LB	38.1	42	D180	99390282	96789247	96809941	-	-
LS 125-100-279	MG	2	22	180MB	38.1	48	D200	99390281	96789269	96809942	-	-
LS 125-100-279	Siemens	2	30	200L	38.1	55	D200	99390283	96789269	96809942	-	-
LS 125-100-279	Siemens	2	37	200L	38.1	55	D200	99390283	96789269	96809942	-	-
LS 125-100-279	Siemens	2	45	225M	38.1	55	D200	99390283	96789269	96809942	-	-
LS 125-100-279	Siemens	2	55	250M	38.1	60	D224	99390284	96789269	96809942	-	-
LS 125-100-279	Siemens	2	75	280S	38.1	65	D224	99390285	96789269	96809942	-	-
LS 125-100-279	MMG-G	2	110	315SA	38.1	65	D224	99390285	96789269	96809942	-	-
LS 125-100-279	MMG-G	2	18.5	160L	38.1	42	D180	99390282	96789247	96809941	-	-
LS 125-100-279	MMG-G	2	22	180M	38.1	48	D200	99390281	96789269	96809942	-	-
LS 125-100-279	MMG-G	2	30	200L	38.1	55	D200	99390283	96789269	96809942	-	-
LS 125-100-279	MMG-G	2	37	200L	38.1	55	D200	99390283	96789269	96809942	-	-
LS 125-100-279	MMG-G	2	45	225MA	38.1	55	D200	99390283	96789269	96809942	-	-
LS 125-100-279	MMG-G	2	55	250MA	38.1	60	D224	99390284	96789269	96809942	-	-
LS 125-100-279	MMG-G	2	75	280SA	38.1	65	D224	99390285	96789269	96809942	-	-
LS 125-100-279	MMG-G	2	90	280MA	38.1	65	D224	99390285	96789269	96809942	-	-
LS 125-100-279	MG	4	11	160MA	38.1	42	D180	99390282	96789247	96809941	-	-
LS 125-100-279	MG	4	15	160LB	38.1	42	D180	99390282	96789247	96809941	-	-
LS 125-100-279	MG	4	2.2	100LB	38.1	28	D160	99390279	96789247	96809941	-	-
LS 125-100-279	MG	4	3	100LC	38.1	28	D160	99390279	96789247	96809941	-	-
LS 125-100-279	MG	4	4	112MC	38.1	28	D160	99390279	96789247	96809941	-	-
LS 125-100-279	MG	4	5.5	132SB	38.1	38	D160	99390280	96789247	96809941	-	-
LS 125-100-279	MG	4	7.5	132MB	38.1	38	D160	99390280	96789247	96809941	-	-
LS 125-100-279	MMG-G	4	11	160M	38.1	42	D180	99390282	96789247	96809941	-	-
LS 125-100-279	MMG-G	4	15	160L	38.1	42	D180	99390282	96789247	96809941	-	-
LS 125-100-279	MMG-G	4	18.5	180M	38.1	48	D200	99390281	96789269	96809942	-	-
LS 125-100-279	MMG-G	4	2.2	100L	38.1	28	D160	99390279	96789247	96809941	-	-
LS 125-100-279	MMG-G	4	22	180L	38.1	48	D200	99390281	96789269	96809942	-	-
LS 125-100-279	MMG-G	4	3	100L	38.1	28	D160	99390279	96789247	96809941	-	-
LS 125-100-279	MMG-G	4	4	112M	38.1	28	D160	99390279	96789247	96809941	-	-
LS 125-100-279	MMG-G	4	5.5	132S	38.1	38	D160	99390280	96789247	96809941	-	-
LS 125-100-279	MMG-G	4	7.5	132M	38.1	38	D160	99390280	96789247	96809941	-	-
LS 125-100-305	Siemens	2	30	200L	38.1	55	D200	99390283	96789269	96809942	-	-
LS 125-100-305	Siemens	2	37	200L	38.1	55	D200	99390283	96789269	96809942	-	-
LS 125-100-305	Siemens	2	45	225M	38.1	55	D200	99390283	96789269	96809942	-	-
LS 125-100-305	Siemens	2	55	250M	38.1	60	D224	99390284	96789269	96809942	-	-
LS 125-100-305	Siemens	2	75	280S	38.1	65	D224	99390285	96789269	96809942	-	-
LS 125-100-305	Siemens	2	90	280M	38.1	65	D224	99390285	96789269	96809942	-	-
LS 125-100-305	MMG-G	2	110	315SA	38.1	65	D224	99390285	96789269	96809942	-	-
LS 125-100-305	MMG-G	2	30	200L	38.1	55	D200	99390283	96789269	96809942	-	-
LS 125-100-305	MMG-G	2	37	200L	38.1	55	D200	99390283	96789269	96809942	-	-
LS 125-100-305	MMG-G	2	45	225MA	38.1	55	D200	99390283	96789269	96809942	-	-
LS 125-100-305	MMG-G	2	55	250MA	38.1	60	D224	99390284	96789269	96809942	-	-
LS 125-100-305	MMG-G	2	75	280SA	38.1	65	D224	99390285	96789269	96809942	-	-
LS 125-100-305	MMG-G	2	90	280MA	38.1	65	D224	99390285	96789269	96809942	-	-

Pump typ	Motor brand	Pole	Power [kW]	Frame size	Shaft diameter [mm]		Coupling type	Grundfos standard coupling, pin bush			Grid coupling	
					Pump	Motor		Kit No	Rubber	Bolts	Coupling complete	Assemble set
LS 125-100-305	MG	4	11	160MA	38.1	42	D180	99390282	96789247	96809941	-	-
LS 125-100-305	MG	4	15	160LB	38.1	42	D180	99390282	96789247	96809941	-	-
LS 125-100-305	Siemens	4	18.5	180M	38.1	48	D200	99390281	96789269	96809942	-	-
LS 125-100-305	Siemens	4	22	180L	38.1	48	D200	99390281	96789269	96809942	-	-
LS 125-100-305	MG	4	4	112MC	38.1	28	D160	99390279	96789247	96809941	-	-
LS 125-100-305	MG	4	5.5	132SB	38.1	38	D160	99390280	96789247	96809941	-	-
LS 125-100-305	MG	4	7.5	132MB	38.1	38	D160	99390280	96789247	96809941	-	-
LS 125-100-305	MMG-G	4	11	160M	38.1	42	D180	99390282	96789247	96809941	-	-
LS 125-100-305	MMG-G	4	15	160L	38.1	42	D180	99390282	96789247	96809941	-	-
LS 125-100-305	MMG-G	4	18.5	180M	38.1	48	D200	99390281	96789269	96809942	-	-
LS 125-100-305	MMG-G	4	22	180L	38.1	48	D200	99390281	96789269	96809942	-	-
LS 125-100-305	MMG-G	4	30	200L	38.1	55	D200	99390283	96789269	96809942	-	-
LS 125-100-305	MMG-G	4	37	225S	38.1	60	D224	99390284	96789269	96809942	-	-
LS 125-100-305	MMG-G	4	4	112M	38.1	28	D160	99390279	96789247	96809941	-	-
LS 125-100-305	MMG-G	4	45	225M	38.1	60	D224	99390284	96789269	96809942	-	-
LS 125-100-305	MMG-G	4	5.5	132S	38.1	38	D160	99390280	96789247	96809941	-	-
LS 125-100-305	MMG-G	4	7.5	132M	38.1	38	D160	99390280	96789247	96809941	-	-
LS 125-100-388	MG	4	11	160MA	38.1	42	D180	99390282	96789247	96809941	-	-
LS 125-100-388	MG	4	15	160LB	38.1	42	D180	99390282	96789247	96809941	-	-
LS 125-100-388	Siemens	4	18.5	180M	38.1	48	D200	99390281	96789269	96809942	-	-
LS 125-100-388	Siemens	4	22	180L	38.1	48	D200	99390281	96789269	96809942	-	-
LS 125-100-388	Siemens	4	30	200L	38.1	55	D200	99390283	96789269	96809942	-	-
LS 125-100-388	Siemens	4	37	225S	38.1	60	D224	99390284	96789269	96809942	-	-
LS 125-100-388	Siemens	4	45	225M	38.1	60	D224	99390284	96789269	96809942	-	-
LS 125-100-388	Siemens	4	55	250M	38.1	65	D224	99390285	96789269	96809942	-	-
LS 125-100-388	Siemens	4	75	280S	38.1	75	D250	99390286	96789274	96809943	-	-
LS 125-100-388	MMG-G	4	11	160M	38.1	42	D180	99390282	96789247	96809941	-	-
LS 125-100-388	MMG-G	4	110	315S	38.1	80	D250	99390288	96789274	96809943	-	-
LS 125-100-388	MMG-G	4	15	160L	38.1	42	D180	99390282	96789247	96809941	-	-
LS 125-100-388	MMG-G	4	18.5	180M	38.1	48	D200	99390281	96789269	96809942	-	-
LS 125-100-388	MMG-G	4	22	180L	38.1	48	D200	99390281	96789269	96809942	-	-
LS 125-100-388	MMG-G	4	30	200L	38.1	55	D200	99390283	96789269	96809942	-	-
LS 125-100-388	MMG-G	4	37	225S	38.1	60	D224	99390284	96789269	96809942	-	-
LS 125-100-388	MMG-G	4	45	225M	38.1	60	D224	99390284	96789269	96809942	-	-
LS 125-100-388	MMG-G	4	55	250M	38.1	65	D224	99390285	96789269	96809942	-	-
LS 125-100-388	MMG-G	4	75	280S	38.1	75	D250	99390286	96789274	96809943	-	-
LS 125-100-388	MMG-G	4	90	280M	38.1	75	D250	99390286	96789274	96809943	-	-
LS 150-125-305	MG	4	11	160MA	38.1	42	D180	99390282	96789247	96809941	-	-
LS 150-125-305	MG	4	15	160LB	38.1	42	D180	99390282	96789247	96809941	-	-
LS 150-125-305	Siemens	4	18.5	180M	38.1	48	D200	99390281	96789269	96809942	-	-
LS 150-125-305	Siemens	4	22	180L	38.1	48	D200	99390281	96789269	96809942	-	-
LS 150-125-305	Siemens	4	30	200L	38.1	55	D200	99390283	96789269	96809942	-	-
LS 150-125-305	Siemens	4	37	225S	38.1	60	D224	99390284	96789269	96809942	-	-
LS 150-125-305	MG	4	5.5	132SB	38.1	38	D160	99390280	96789247	96809941	-	-
LS 150-125-305	MG	4	7.5	132MB	38.1	38	D160	99390280	96789247	96809941	-	-
LS 150-125-305	MMG-G	4	11	160M	38.1	42	D180	99390282	96789247	96809941	-	-
LS 150-125-305	MMG-G	4	15	160L	38.1	42	D180	99390282	96789247	96809941	-	-
LS 150-125-305	MMG-G	4	18.5	180M	38.1	48	D200	99390281	96789269	96809942	-	-
LS 150-125-305	MMG-G	4	22	180L	38.1	48	D200	99390281	96789269	96809942	-	-
LS 150-125-305	MMG-G	4	30	200L	38.1	55	D200	99390283	96789269	96809942	-	-
LS 150-125-305	MMG-G	4	37	225S	38.1	60	D224	99390284	96789269	96809942	-	-
LS 150-125-305	MMG-G	4	45	225M	38.1	60	D224	99390284	96789269	96809942	-	-

Pump typ	Motor brand	Pole	Power [kW]	Frame size	Shaft diameter [mm]		Coupling type	Grundfos standard coupling, pin bush			Grid coupling	
					Pump	Motor		Kit No	Rubber	Bolts	Coupling complete	Assemble set
LS 150-125-305	MMG-G	4	5.5	132S	38.1	38	D160	99390280	96789247	96809941	-	-
LS 150-125-305	MMG-G	4	55	250M	38.1	65	D224	99390285	96789269	96809942	-	-
LS 150-125-305	MMG-G	4	7.5	132M	38.1	38	D160	99390280	96789247	96809941	-	-
LS 150-125-381	MG	4	15	160LB	38.1	42	D180	99390282	96789247	96809941	-	-
LS 150-125-381	Siemens	4	18.5	180M	38.1	48	D200	99390281	96789269	96809942	-	-
LS 150-125-381	Siemens	4	22	180L	38.1	48	D200	99390281	96789269	96809942	-	-
LS 150-125-381	Siemens	4	30	200L	38.1	55	D200	99390283	96789269	96809942	-	-
LS 150-125-381	Siemens	4	37	225S	38.1	60	D224	99390284	96789269	96809942	-	-
LS 150-125-381	Siemens	4	45	225M	38.1	60	D224	99390284	96789269	96809942	-	-
LS 150-125-381	Siemens	4	55	250M	38.1	65	D224	99390285	96789269	96809942	-	-
LS 150-125-381	Siemens	4	75	280S	38.1	75	D250	99390286	96789274	96809943	-	-
LS 150-125-381	MMG-G	4	110	315S	38.1	80	D250	99390288	96789274	96809943	-	-
LS 150-125-381	MMG-G	4	132	315M	38.1	80	D250	99390288	96789274	96809943	-	-
LS 150-125-381	MMG-G	4	15	160L	38.1	42	D180	99390282	96789247	96809941	-	-
LS 150-125-381	MMG-G	4	18.5	180M	38.1	48	D200	99390281	96789269	96809942	-	-
LS 150-125-381	MMG-G	4	22	180L	38.1	48	D200	99390281	96789269	96809942	-	-
LS 150-125-381	MMG-G	4	30	200L	38.1	55	D200	99390283	96789269	96809942	-	-
LS 150-125-381	MMG-G	4	37	225S	38.1	60	D224	99390284	96789269	96809942	-	-
LS 150-125-381	MMG-G	4	45	225M	38.1	60	D224	99390284	96789269	96809942	-	-
LS 150-125-381	MMG-G	4	55	250M	38.1	65	D224	99390285	96789269	96809942	-	-
LS 150-125-381	MMG-G	4	75	280S	38.1	75	D250	99390286	96789274	96809943	-	-
LS 150-125-381	MMG-G	4	90	280M	38.1	75	D250	99390286	96789274	96809943	-	-
LS 200-150-305	Siemens	4	45	225M	38.1	60	D224	99390284	96789269	96809942	-	-
LS 200-150-305	MG	4	11	160MA	38.1	42	D180	99390282	96789247	96809941	-	-
LS 200-150-305	MG	4	15	160LB	38.1	42	D180	99390282	96789247	96809941	-	-
LS 200-150-305	Siemens	4	18.5	180M	38.1	48	D200	99390281	96789269	96809942	-	-
LS 200-150-305	Siemens	4	22	180L	38.1	48	D200	99390281	96789269	96809942	-	-
LS 200-150-305	Siemens	4	30	200L	38.1	55	D200	99390283	96789269	96809942	-	-
LS 200-150-305	Siemens	4	37	225S	38.1	60	D224	99390284	96789269	96809942	-	-
LS 200-150-305	MMG-G	4	45	225M	38.1	60	D224	99390284	96789269	96809942	-	-
LS 200-150-305	MMG-G	4	55	250M	38.1	65	D224	99390285	96789269	96809942	-	-
LS 200-150-305	MMG-G	4	75	280S	38.1	75	D250	99390286	96789274	96809943	-	-
LS 200-150-305	MMG-G	4	11	160M	38.1	42	D180	99390282	96789247	96809941	-	-
LS 200-150-305	MMG-G	4	15	160L	38.1	42	D180	99390282	96789247	96809941	-	-
LS 200-150-305	MMG-G	4	18.5	180M	38.1	48	D200	99390281	96789269	96809942	-	-
LS 200-150-305	MMG-G	4	22	180L	38.1	48	D200	99390281	96789269	96809942	-	-
LS 200-150-305	MMG-G	4	30	200L	38.1	55	D200	99390283	96789269	96809942	-	-
LS 200-150-305	MMG-G	4	37	225S	38.1	60	D224	99390284	96789269	96809942	-	-
LS 200-150-381	Siemens	4	110	315S	44.45	80	D250	99390303	96789274	96809943	-	-
LS 200-150-381	Siemens	4	18.5	180M	44.45	48	D200	99390298	96789269	96809942	-	-
LS 200-150-381	Siemens	4	22	180L	44.45	48	D200	99390298	96789269	96809942	-	-
LS 200-150-381	Siemens	4	30	200L	44.45	55	D200	99390299	96789269	96809942	-	-
LS 200-150-381	Siemens	4	37	225S	44.45	60	D224	99390300	96789269	96809942	-	-
LS 200-150-381	Siemens	4	45	225M	44.45	60	D224	99390300	96789269	96809942	-	-
LS 200-150-381	Siemens	4	55	250M	44.45	65	D224	99390301	96789269	96809942	-	-
LS 200-150-381	Siemens	4	75	280S	44.45	75	D250	99390302	96789274	96809943	-	-
LS 200-150-381	Siemens	4	90	280M	44.45	75	D250	99390302	96789274	96809943	-	-
LS 200-150-381	MMG-G	4	110	315S	44.45	80	D250	99390303	96789274	96809943	-	-
LS 200-150-381	MMG-G	4	132	315M	44.45	80	D250	99390303	96789274	96809943	-	-
LS 200-150-381	MMG-G	4	160	315L	44.45	80	D250	99390303	96789274	96809943	-	-
LS 200-150-381	MMG-G	4	18.5	180M	44.45	48	D200	99390298	96789269	96809942	-	-
LS 200-150-381	MMG-G	4	200	315L	44.45	80	D250	99390303	96789274	96809943	-	-

Pump typ	Motor brand	Pole	Power [kW]	Frame size	Shaft diameter [mm]		Coupling type	Grundfos standard coupling, pin bush			Grid coupling	
					Pump	Motor		Kit No	Rubber	Bolts	Coupling complete	Assemble set
LS 200-150-381	MMG-G	4	22	180L	44.45	48	D200	99390298	96789269	96809942	-	-
LS 200-150-381	MMG-G	4	30	200L	44.45	55	D200	99390299	96789269	96809942	-	-
LS 200-150-381	MMG-G	4	37	225S	44.45	60	D224	99390300	96789269	96809942	-	-
LS 200-150-381	MMG-G	4	45	225M	44.45	60	D224	99390300	96789269	96809942	-	-
LS 200-150-381	MMG-G	4	55	250M	44.45	65	D224	99390301	96789269	96809942	-	-
LS 200-150-381	MMG-G	4	75	280S	44.45	75	D250	99390302	96789274	96809943	-	-
LS 200-150-381	MMG-G	4	90	280M	44.45	75	D250	99390302	96789274	96809943	-	-
LS 200-150-483	Siemens	4	110	315S	44.45	80	D250	99390303	96789274	96809943	-	-
LS 200-150-483	Siemens	4	132	315M	44.45	80	D250	99390303	96789274	96809943	-	-
LS 200-150-483	Siemens	4	160	315L	44.45	80	D250	99390303	96789274	96809943	-	-
LS 200-150-483	Siemens	4	55	250M	44.45	65	D224	99390301	96789269	96809942	-	-
LS 200-150-483	Siemens	4	75	280S	44.45	75	D250	99390302	96789274	96809943	-	-
LS 200-150-483	Siemens	4	90	280M	44.45	75	D250	99390302	96789274	96809943	-	-
LS 200-150-483	MMG-G	4	110	315S	44.45	80	D250	99390303	96789274	96809943	-	-
LS 200-150-483	MMG-G	4	110	315S	50.8	80	D250	99596703	96789274	96809943	-	-
LS 200-150-483	MMG-G	4	132	315M	50.8	80	D250	99596703	96789274	96809943	-	-
LS 200-150-483	MMG-G	4	160	315L	50.8	80	D250	99596703	96789274	96809943	-	-
LS 200-150-483	MMG-G	4	200	315L	50.8	80	D250	99596703	96789274	96809943	-	-
LS 200-150-483	MMG-G	4	250	315M	50.8	100	D250	99596704	96789274	96809943	-	-
LS 200-150-483	MMG-G	4	55	250M	44.45	65	D224	99390301	96789269	96809942	-	-
LS 200-150-483	MMG-G	4	75	280S	44.45	75	D250	99390302	96789274	96809943	-	-
LS 200-150-483	MMG-G	4	90	280M	44.45	75	D250	99390302	96789274	96809943	-	-
LS 200-150-483	Siemens	6	15	180L	44.45	48	D200	99390298	96789269	96809942	-	-
LS 200-150-483	Siemens	6	18.5	200L	44.45	55	D200	99390299	96789269	96809942	-	-
LS 200-150-483	Siemens	6	22	200L	44.45	55	D200	99390299	96789269	96809942	-	-
LS 200-150-483	Siemens	6	30	225M	44.45	60	D224	99390300	96789269	96809942	-	-
LS 200-150-483	Siemens	6	37	250M	44.45	65	D224	99390301	96789269	96809942	-	-
LS 200-150-483	Siemens	6	45	280S	44.45	75	D250	99390302	96789274	96809943	-	-
LS 200-150-483	MMG-G	6	15	180L	44.45	48	D200	99390298	96789269	96809942	-	-
LS 200-150-483	MMG-G	6	18.5	200L	44.45	55	D200	99390299	96789269	96809942	-	-
LS 200-150-483	MMG-G	6	22	200L	44.45	55	D200	99390299	96789269	96809942	-	-
LS 200-150-483	MMG-G	6	30	225M	44.45	60	D224	99390300	96789269	96809942	-	-
LS 200-150-483	MMG-G	6	37	250M	44.45	65	D224	99390301	96789269	96809942	-	-
LS 200-150-483	MMG-G	6	45	280S	44.45	75	D250	99390302	96789274	96809943	-	-
LS 200-150-483	MMG-G	6	55	280M	44.45	75	D250	99390302	96789274	96809943	-	-
LS 200-150-483	MMG-G	6	75	315S	44.45	80	D250	99390303	96789274	96809943	-	-
LS 200-150-508	Siemens	4	110	315S	53.98	80	D250	99390307	96789274	96809943	-	-
LS 200-150-508	Siemens	4	132	315M	53.98	80	D250	99390307	96789274	96809943	-	-
LS 200-150-508	Siemens	4	160	315L	53.98	80	D250	99390307	96789274	96809943	-	-
LS 200-150-508	Siemens	4	200	315L	53.98	80	D250	99390307	96789274	96809943	-	-
LS 200-150-508	Siemens	4	250	315L	53.98	85	D250	99390308	96789274	96809943	-	-
LS 200-150-508	Siemens	4	55	250M	53.98	65	D224	99390305	96789269	96809942	-	-
LS 200-150-508	Siemens	4	75	280S	53.98	75	D250	99390306	96789274	96809943	-	-
LS 200-150-508	Siemens	4	90	280M	53.98	75	D250	99390306	96789274	96809943	-	-
LS 200-150-508	MMG-G	4	110	315S	53.98	80	D250	99390307	96789274	96809943	-	-
LS 200-150-508	MMG-G	4	132	315M	53.98	80	D250	99390307	96789274	96809943	-	-
LS 200-150-508	MMG-G	4	160	315L	53.98	80	D250	99390307	96789274	96809943	-	-
LS 200-150-508	MMG-G	4	200	315L	53.98	80	D250	99390307	96789274	96809943	-	-
LS 200-150-508	MMG-G	4	250	315M	53.98	100	D250	99596705	96789274	96809943	-	-
LS 200-150-508	MMG-G	4	315	355L	53.98	100	GRID 110	-	-	-	99596706	99392619
LS 200-150-508	MMG-G	4	355	355C	53.98	100	GRID 110	-	-	-	99596706	99392619
LS 200-150-508	MMG-G	4	55	250M	53.98	65	D224	99390305	96789269	96809942	-	-

Pump typ	Motor brand	Pole	Power [kW]	Frame size	Shaft diameter [mm]		Coupling type	Grundfos standard coupling, pin bush			Grid coupling	
					Pump	Motor		Kit No	Rubber	Bolts	Coupling complete	Assemble set
LS 200-150-508	MMG-G	4	75	280S	53.98	75	D250	99390306	96789274	96809943	-	-
LS 200-150-508	MMG-G	4	90	280M	53.98	75	D250	99390306	96789274	96809943	-	-
LS 200-150-508	Siemens	6	18.5	200L	53.98	55	D200	99390317	96789269	96809942	-	-
LS 200-150-508	Siemens	6	22	200L	53.98	55	D200	99390317	96789269	96809942	-	-
LS 200-150-508	Siemens	6	30	225M	53.98	60	D224	99390318	96789269	96809942	-	-
LS 200-150-508	Siemens	6	37	250M	53.98	65	D224	99390305	96789269	96809942	-	-
LS 200-150-508	Siemens	6	45	280S	53.98	75	D250	99390306	96789274	96809943	-	-
LS 200-150-508	Siemens	6	55	280M	53.98	75	D250	99390306	96789274	96809943	-	-
LS 200-150-508	Siemens	6	75	315S	53.98	80	D250	99390307	96789274	96809943	-	-
LS 200-150-508	MMG-G	6	110	315L	53.98	80	D250	99390307	96789274	96809943	-	-
LS 200-150-508	MMG-G	6	132	315L	53.98	80	D250	99390307	96789274	96809943	-	-
LS 200-150-508	MMG-G	6	18.5	200L	53.98	55	D200	99390317	96789269	96809942	-	-
LS 200-150-508	MMG-G	6	22	200L	53.98	55	D200	99390317	96789269	96809942	-	-
LS 200-150-508	MMG-G	6	30	225M	53.98	60	D224	99390318	96789269	96809942	-	-
LS 200-150-508	MMG-G	6	37	250M	53.98	65	D224	99390305	96789269	96809942	-	-
LS 200-150-508	MMG-G	6	45	280S	53.98	75	D250	99390306	96789274	96809943	-	-
LS 200-150-508	MMG-G	6	55	280M	53.98	75	D250	99390306	96789274	96809943	-	-
LS 200-150-508	MMG-G	6	75	315S	53.98	80	D250	99390307	96789274	96809943	-	-
LS 200-150-508	MMG-G	6	90	315M	53.98	80	D250	99390307	96789274	96809943	-	-
LS 250-200-305	MG	4	15	160LB	44.45	42	D180	99390309	96789247	96809941	-	-
LS 250-200-305	Siemens	4	18.5	180M	44.45	48	D200	99390298	96789269	96809942	-	-
LS 250-200-305	Siemens	4	22	180L	44.45	48	D200	99390298	96789269	96809942	-	-
LS 250-200-305	Siemens	4	30	200L	44.45	55	D200	99390299	96789269	96809942	-	-
LS 250-200-305	Siemens	4	37	225S	44.45	60	D224	99390300	96789269	96809942	-	-
LS 250-200-305	Siemens	4	45	225M	44.45	60	D224	99390300	96789269	96809942	-	-
LS 250-200-305	Siemens	4	55	250M	44.45	65	D224	99390301	96789269	96809942	-	-
LS 250-200-305	MMG-G	4	110	315S	44.45	80	D250	99390303	96789274	96809943	-	-
LS 250-200-305	MMG-G	4	15	160L	44.45	42	D180	99390309	96789247	96809941	-	-
LS 250-200-305	MMG-G	4	18.5	180M	44.45	48	D200	99390298	96789269	96809942	-	-
LS 250-200-305	MMG-G	4	22	180L	44.45	48	D200	99390298	96789269	96809942	-	-
LS 250-200-305	MMG-G	4	30	200L	44.45	55	D200	99390299	96789269	96809942	-	-
LS 250-200-305	MMG-G	4	37	225S	44.45	60	D224	99390300	96789269	96809942	-	-
LS 250-200-305	MMG-G	4	45	225M	44.45	60	D224	99390300	96789269	96809942	-	-
LS 250-200-305	MMG-G	4	55	250M	44.45	65	D224	99390301	96789269	96809942	-	-
LS 250-200-305	MMG-G	4	75	280S	44.45	75	D250	99390302	96789274	96809943	-	-
LS 250-200-305	MMG-G	4	90	280M	44.45	75	D250	99390302	96789274	96809943	-	-
LS 250-200-381	Siemens	4	110	315S	44.45	80	D250	99390303	96789274	96809943	-	-
LS 250-200-381	Siemens	4	132	315M	44.45	80	D250	99390303	96789274	96809943	-	-
LS 250-200-381	Siemens	4	160	315L	44.45	80	D250	99390303	96789274	96809943	-	-
LS 250-200-381	Siemens	4	30	200L	44.45	55	D200	99390299	96789269	96809942	-	-
LS 250-200-381	Siemens	4	37	225S	44.45	60	D224	99390300	96789269	96809942	-	-
LS 250-200-381	Siemens	4	45	225M	44.45	60	D224	99390300	96789269	96809942	-	-
LS 250-200-381	Siemens	4	55	250M	44.45	65	D224	99390301	96789269	96809942	-	-
LS 250-200-381	Siemens	4	75	280S	44.45	75	D250	99390302	96789274	96809943	-	-
LS 250-200-381	Siemens	4	90	280M	44.45	75	D250	99390302	96789274	96809943	-	-
LS 250-200-381	MMG-G	4	110	315S	44.45	80	D250	99390303	96789274	96809943	-	-
LS 250-200-381	MMG-G	4	132	315M	44.45	80	D250	99390303	96789274	96809943	-	-
LS 250-200-381	MMG-G	4	160	315L	44.45	80	D250	99390303	96789274	96809943	-	-
LS 250-200-381	MMG-G	4	200	315L	44.45	80	D250	99390303	96789274	96809943	-	-
LS 250-200-381	MMG-G	4	250	315M	44.45	100	D250	99596707	96789274	96809943	-	-
LS 250-200-381	MMG-G	4	30	200L	44.45	55	D200	99390299	96789269	96809942	-	-
LS 250-200-381	MMG-G	4	37	225S	44.45	60	D224	99390300	96789269	96809942	-	-

Pump typ	Motor brand	Pole	Power [kW]	Frame size	Shaft diameter [mm]		Coupling type	Grundfos standard coupling, pin bush			Grid coupling	
					Pump	Motor		Kit No	Rubber	Bolts	Coupling complete	Assemble set
LS 250-200-381	MMG-G	4	45	225M	44.45	60	D224	99390300	96789269	96809942	-	-
LS 250-200-381	MMG-G	4	55	250M	44.45	65	D224	99390301	96789269	96809942	-	-
LS 250-200-381	MMG-G	4	75	280S	44.45	75	D250	99390302	96789274	96809943	-	-
LS 250-200-381	MMG-G	4	90	280M	44.45	75	D250	99390302	96789274	96809943	-	-
LS 250-200-381	Siemens	6	11	160L	44.45	42	D180	99390309	96789247	96809941	-	-
LS 250-200-381	Siemens	6	15	180L	44.45	48	D200	99390298	96789269	96809942	-	-
LS 250-200-381	Siemens	6	18.5	200L	44.45	55	D200	99390299	96789269	96809942	-	-
LS 250-200-381	Siemens	6	22	200L	44.45	55	D200	99390299	96789269	96809942	-	-
LS 250-200-381	Siemens	6	30	225M	44.45	60	D224	99390300	96789269	96809942	-	-
LS 250-200-381	Siemens	6	37	250M	44.45	65	D224	99390301	96789269	96809942	-	-
LS 250-200-381	Siemens	6	45	280S	44.45	75	D250	99390302	96789274	96809943	-	-
LS 250-200-381	MMG-G	6	11	160L	44.45	42	D180	99390309	96789247	96809941	-	-
LS 250-200-381	MMG-G	6	15	180L	44.45	48	D200	99390298	96789269	96809942	-	-
LS 250-200-381	MMG-G	6	18.5	200L	44.45	55	D200	99390299	96789269	96809942	-	-
LS 250-200-381	MMG-G	6	22	200L	44.45	55	D200	99390299	96789269	96809942	-	-
LS 250-200-381	MMG-G	6	30	225M	44.45	60	D224	99390300	96789269	96809942	-	-
LS 250-200-381	MMG-G	6	37	250M	44.45	65	D224	99390301	96789269	96809942	-	-
LS 250-200-381	MMG-G	6	45	280S	44.45	75	D250	99390302	96789274	96809943	-	-
LS 250-200-381	MMG-G	6	55	280M	44.45	75	D250	99390302	96789274	96809943	-	-
LS 250-200-381	MMG-G	6	75	315S	44.45	80	D250	99390303	96789274	96809943	-	-
LS 300-200-489	Siemens	4	110	315S	63.5	80	D250	99390310	96789274	96809943	-	-
LS 300-200-489	Siemens	4	132	315M	63.5	80	D250	99390310	96789274	96809943	-	-
LS 300-200-489	Siemens	4	160	315L	63.5	80	D250	99390310	96789274	96809943	-	-
LS 300-200-489	Siemens	4	200	315L	63.5	80	D250	99390310	96789274	96809943	-	-
LS 300-200-489	Siemens	4	250	315L	63.5	85	D250	99390311	96789274	96809943	-	-
LS 300-200-489	Siemens	4	315	315L	63.5	85	GRID 90	-	-	-	99392578	99392618
LS 300-200-489	Siemens	4	355	355M	63.5	95	GRID 90	-	-	-	99392579	99392618
LS 300-200-489	MMG-G	4	110	315S	63.5	80	D250	99390310	96789274	96809943	-	-
LS 300-200-489	MMG-G	4	132	315M	63.5	80	D250	99390310	96789274	96809943	-	-
LS 300-200-489	MMG-G	4	160	315L	63.5	80	D250	99390310	96789274	96809943	-	-
LS 300-200-489	MMG-G	4	200	315L	63.5	80	D250	99390310	96789274	96809943	-	-
LS 300-200-489	MMG-G	4	250	315M	63.5	100	D250	99596708	96789274	96809943	-	-
LS 300-200-489	MMG-G	4	315	355L	63.5	100	GRID 110	-	-	-	99596709	99392619
LS 300-200-489	MMG-G	4	355	355C	63.5	100	GRID 110	-	-	-	99596709	99392619
LS 300-200-489	Siemens	6	110	315L	63.5	80	D250	99390310	96789274	96809943	-	-
LS 300-200-489	Siemens	6	37	250M	63.5	65	D224	99390319	96789269	96809942	-	-
LS 300-200-489	Siemens	6	45	280S	63.5	75	D250	99390320	96789274	96809943	-	-
LS 300-200-489	Siemens	6	55	280M	63.5	75	D250	99390320	96789274	96809943	-	-
LS 300-200-489	Siemens	6	75	315S	63.5	80	D250	99390310	96789274	96809943	-	-
LS 300-200-489	Siemens	6	90	315M	63.5	80	D250	99390310	96789274	96809943	-	-
LS 300-200-489	MMG-G	6	110	315L	63.5	80	D250	99390310	96789274	96809943	-	-
LS 300-200-489	MMG-G	6	132	315L	63.5	80	D250	99390310	96789274	96809943	-	-
LS 300-200-489	MMG-G	6	160	355M	63.5	100	D250	99596708	96789274	96809943	-	-
LS 300-200-489	MMG-G	6	200	355M	63.5	100	GRID 110	-	-	-	99596709	99392619
LS 300-200-489	MMG-G	6	37	250M	63.5	65	D224	99390319	96789269	96809942	-	-
LS 300-200-489	MMG-G	6	45	280S	63.5	75	D250	99390320	96789274	96809943	-	-
LS 300-200-489	MMG-G	6	55	280M	63.5	75	D250	99390320	96789274	96809943	-	-
LS 300-200-489	MMG-G	6	75	315S	63.5	80	D250	99390310	96789274	96809943	-	-
LS 300-200-489	MMG-G	6	90	315M	63.5	80	D250	99390310	96789274	96809943	-	-
LS 300-200-489	MMG-G	6	185	355M	63.5	100	GRID 110	-	-	-	99596709	99392619
LS 300-250-305	Siemens	4	30	200L	44.45	55	D200	99390299	96789269	96809942	-	-
LS 300-250-305	Siemens	4	37	225S	44.45	60	D224	99390300	96789269	96809942	-	-

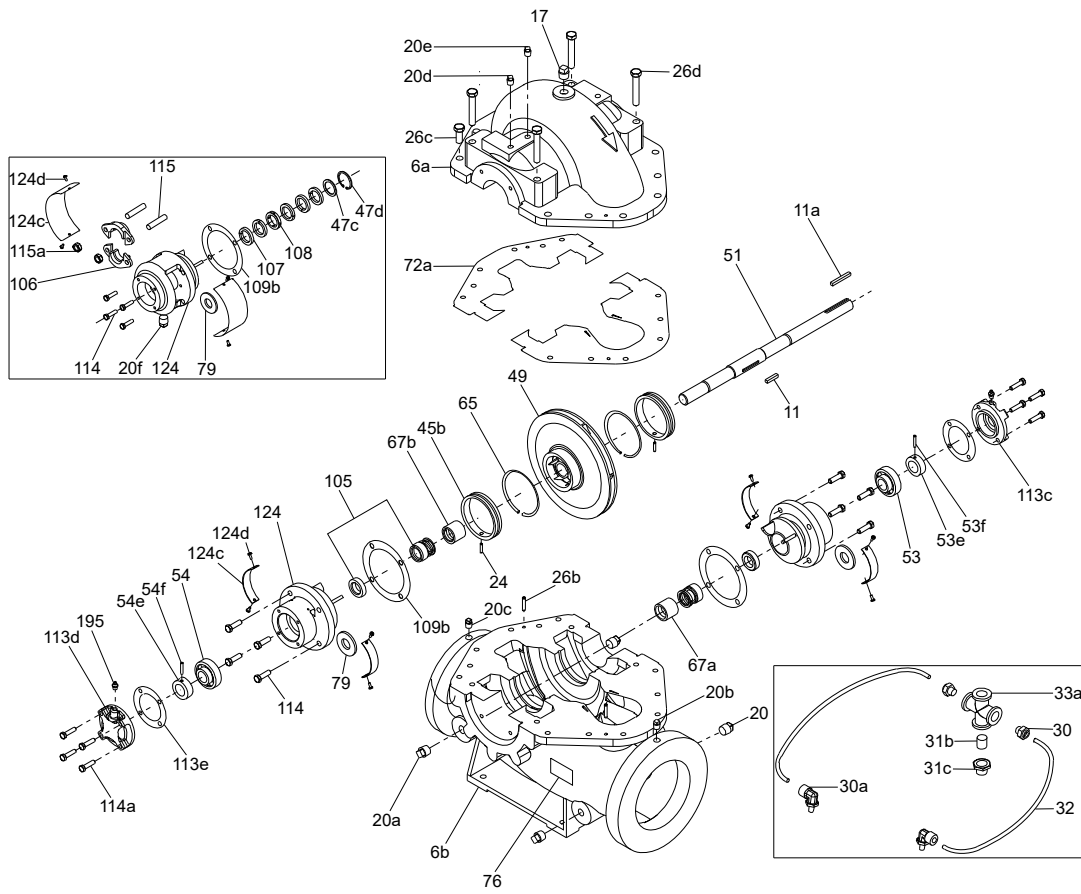
Pump typ	Motor brand	Pole	Power [kW]	Frame size	Shaft diameter [mm]		Coupling type	Grundfos standard coupling, pin bush			Grid coupling	
					Pump	Motor		Kit No	Rubber	Bolts	Coupling complete	Assemble set
LS 300-250-305	Siemens	4	45	225M	44.45	60	D224	99390300	96789269	96809942	-	-
LS 300-250-305	Siemens	4	55	250M	44.45	65	D224	99390301	96789269	96809942	-	-
LS 300-250-305	Siemens	4	75	280S	44.45	75	D250	99390302	96789274	96809943	-	-
LS 300-250-305	Siemens	4	90	280M	44.45	75	D250	99390302	96789274	96809943	-	-
LS 300-250-305	MMG-G	4	110	315S	44.45	80	D250	99390303	96789274	96809943	-	-
LS 300-250-305	MMG-G	4	132	315M	44.45	80	D250	99390303	96789274	96809943	-	-
LS 300-250-305	MMG-G	4	160	315L	44.45	80	D250	99390303	96789274	96809943	-	-
LS 300-250-305	MMG-G	4	30	200L	44.45	55	D200	99390299	96789269	96809942	-	-
LS 300-250-305	MMG-G	4	37	225S	44.45	60	D224	99390300	96789269	96809942	-	-
LS 300-250-305	MMG-G	4	45	225M	44.45	60	D224	99390300	96789269	96809942	-	-
LS 300-250-305	MMG-G	4	55	250M	44.45	65	D224	99390301	96789269	96809942	-	-
LS 300-250-305	MMG-G	4	75	280S	44.45	75	D250	99390302	96789274	96809943	-	-
LS 300-250-305	MMG-G	4	90	280M	44.45	75	D250	99390302	96789274	96809943	-	-
LS 300-250-305	Siemens	6	11	160L	44.45	42	D180	99390309	96789247	96809941	-	-
LS 300-250-305	Siemens	6	15	180L	44.45	48	D200	99390298	96789269	96809942	-	-
LS 300-250-305	Siemens	6	18.5	200L	44.45	55	D200	99390299	96789269	96809942	-	-
LS 300-250-305	Siemens	6	22	200L	44.45	55	D200	99390299	96789269	96809942	-	-
LS 300-250-305	Siemens	6	30	225M	44.45	60	D224	99390300	96789269	96809942	-	-
LS 300-250-305	MMG-G	6	11	160L	44.45	42	D180	99390309	96789247	96809941	-	-
LS 300-250-305	MMG-G	6	15	180L	44.45	48	D200	99390298	96789269	96809942	-	-
LS 300-250-305	MMG-G	6	18.5	200L	44.45	55	D200	99390299	96789269	96809942	-	-
LS 300-250-305	MMG-G	6	22	200L	44.45	55	D200	99390299	96789269	96809942	-	-
LS 300-250-305	MMG-G	6	30	225M	44.45	60	D224	99390300	96789269	96809942	-	-
LS 300-250-305	MMG-G	6	37	250M	44.45	65	D224	99390301	96789269	96809942	-	-
LS 300-250-305	MMG-G	6	45	280S	44.45	75	D250	99390302	96789274	96809943	-	-
LS 300-250-381	Siemens	4	110	315S	57.15	80	D250	99390314	96789274	96809943	-	-
LS 300-250-381	Siemens	4	132	315M	57.15	80	D250	99390314	96789274	96809943	-	-
LS 300-250-381	Siemens	4	160	315L	57.15	80	D250	99390314	96789274	96809943	-	-
LS 300-250-381	Siemens	4	200	315L	57.15	80	D250	99390314	96789274	96809943	-	-
LS 300-250-381	Siemens	4	55	250M	57.15	65	D224	99390312	96789269	96809942	-	-
LS 300-250-381	Siemens	4	75	280S	57.15	75	D250	99390313	96789274	96809943	-	-
LS 300-250-381	Siemens	4	90	280M	57.15	75	D250	99390313	96789274	96809943	-	-
LS 300-250-381	MMG-G	4	110	315S	57.15	80	D250	99390314	96789274	96809943	-	-
LS 300-250-381	MMG-G	4	132	315M	57.15	80	D250	99390314	96789274	96809943	-	-
LS 300-250-381	MMG-G	4	160	315L	57.15	80	D250	99390314	96789274	96809943	-	-
LS 300-250-381	MMG-G	4	200	315L	57.15	80	D250	99390314	96789274	96809943	-	-
LS 300-250-381	MMG-G	4	250	315M	57.15	100	D250	99596710	96789274	96809943	-	-
LS 300-250-381	MMG-G	4	315	355L	57.15	100	GRID 110	-	-	-	99596711	99392619
LS 300-250-381	MMG-G	4	55	250M	57.15	65	D224	99390312	96789269	96809942	-	-
LS 300-250-381	MMG-G	4	75	280S	57.15	75	D250	99390313	96789274	96809943	-	-
LS 300-250-381	MMG-G	4	90	280M	57.15	75	D250	99390313	96789274	96809943	-	-
LS 300-250-381	Siemens	6	18.5	200L	57.15	55	D200	99390321	96789269	96809942	-	-
LS 300-250-381	Siemens	6	22	200L	57.15	55	D200	99390321	96789269	96809942	-	-
LS 300-250-381	Siemens	6	30	225M	57.15	60	D224	99390322	96789269	96809942	-	-
LS 300-250-381	Siemens	6	37	250M	57.15	65	D224	99390312	96789269	96809942	-	-
LS 300-250-381	Siemens	6	45	280S	57.15	75	D250	99390313	96789274	96809943	-	-
LS 300-250-381	Siemens	6	55	280M	57.15	75	D250	99390313	96789274	96809943	-	-
LS 300-250-381	MMG-G	6	18.5	200L	57.15	55	D200	99390321	96789269	96809942	-	-
LS 300-250-381	MMG-G	6	22	200L	57.15	55	D200	99390321	96789269	96809942	-	-
LS 300-250-381	MMG-G	6	30	225M	57.15	60	D224	99390322	96789269	96809942	-	-
LS 300-250-381	MMG-G	6	37	250M	57.15	65	D224	99390312	96789269	96809942	-	-
LS 300-250-381	MMG-G	6	45	280S	57.15	75	D250	99390313	96789274	96809943	-	-
LS 300-250-381	MMG-G	6	55	280M	57.15	75	D250	99390313	96789274	96809943	-	-

Pump typ	Motor brand	Pole	Power [kW]	Frame size	Shaft diameter [mm]		Coupling type	Grundfos standard coupling, pin bush			Grid coupling	
					Pump	Motor		Kit No	Rubber	Bolts	Coupling complete	Assemble set
LS 300-250-381	MMG-G	6	55	280M	57.15	75	D250	99390313	96789274	96809943	-	-
LS 300-250-381	MMG-G	6	75	315S	57.15	80	D250	99390314	96789274	96809943	-	-
LS 300-250-381	MMG-G	6	90	315M	57.15	80	D250	99390314	96789274	96809943	-	-
LS 300-250-381	MMG-G	6	110	315L	57.15	80	D250	99390314	96789274	96809943	-	-
LS 350-250-498	Siemens	4	160	315L	79.38	80	D250	99390315	96789274	96809943	-	-
LS 350-250-498	Siemens	4	200	315L	79.38	80	D250	99390315	96789274	96809943	-	-
LS 350-250-498	Siemens	4	250	315L	79.38	85	D250	99390316	96789274	96809943	-	-
LS 350-250-498	Siemens	4	315	315L	79.38	85	GRID 90	-	-	-	99392591	99392618
LS 350-250-498	Siemens	4	355	355M	79.38	95	GRID 90	-	-	-	99392584	99392618
LS 350-250-498	Siemens	4	400	355M	79.38	95	GRID 90	-	-	-	99392584	99392618
LS 350-250-498	Siemens	4	500	355M	79.38	95	GRID 90	-	-	-	99392584	99392618
LS 350-250-498	MMG-G	4	160	315L	79.38	80	D250	99390315	96789274	96809943	-	-
LS 350-250-498	MMG-G	4	200	315L	79.38	80	D250	99390315	96789274	96809943	-	-
LS 350-250-498	MMG-G	4	250	315M	79.38	100	D250	99596712	96789274	96809943	-	-
LS 350-250-498	MMG-G	4	315	355L	79.38	100	GRID 110	-	-	-	99596713	99392619
LS 350-250-498	MMG-G	4	355	355C	79.38	100	GRID 110	-	-	-	99596713	99392619
LS 350-250-498	MMG-G	4	400	315DB	79.38	95	GRID 90	-	-	-	99392584	99392618
LS 350-250-498	MMG-G	4	450	355CB	79.38	95	GRID 90	-	-	-	99392584	99392618
LS 350-250-498	MMG-G	4	500	355CB	79.38	95	GRID 90	-	-	-	99392584	99392618
LS 350-250-498	MMG-G	4	425	355CB	79.38	95	GRID 90	-	-	-	99392584	99392618
LS 350-250-498	MMG-G	4	475	355CB	79.38	95	GRID 90	-	-	-	99392584	99392618
LS 350-250-498	Siemens	6	110	315L	79.38	80	D250	99390315	96789274	96809943	-	-
LS 350-250-498	Siemens	6	132	315L	79.38	80	D250	99390315	96789274	96809943	-	-
LS 350-250-498	Siemens	6	200	315L	79.38	85	GRID 90	-	-	-	99392591	99392618
LS 350-250-498	Siemens	6	45	280S	79.38	75	D250	99390323	96789274	96809943	-	-
LS 350-250-498	Siemens	6	55	280M	79.38	75	D250	99390323	96789274	96809943	-	-
LS 350-250-498	Siemens	6	75	315S	79.38	80	D250	99390315	96789274	96809943	-	-
LS 350-250-498	Siemens	6	90	315M	79.38	80	D250	99390315	96789274	96809943	-	-
LS 350-250-498	MMG-G	6	110	315L	79.38	80	D250	99390315	96789274	96809943	-	-
LS 350-250-498	MMG-G	6	132	315L	79.38	80	D250	99390315	96789274	96809943	-	-
LS 350-250-498	MMG-G	6	160	355M	79.38	100	D250	99596712	96789274	96809943	-	-
LS 350-250-498	MMG-G	6	200	355M	79.38	100	GRID 110	-	-	-	99596713	99392619
LS 350-250-498	MMG-G	6	220	355M	79.38	100	GRID 110	-	-	-	99596713	99392619
LS 350-250-498	MMG-G	6	250	355L	79.38	100	GRID 110	-	-	-	99596713	99392619
LS 350-250-498	MMG-G	6	45	280S	79.38	75	D250	99390323	96789274	96809943	-	-
LS 350-250-498	MMG-G	6	55	280M	79.38	75	D250	99390323	96789274	96809943	-	-
LS 350-250-498	MMG-G	6	75	315S	79.38	80	D250	99390315	96789274	96809943	-	-
LS 350-250-498	MMG-G	6	90	315M	79.38	80	D250	99390315	96789274	96809943	-	-
LS 350-250-498	MMG-G	6	185	355M	79.38	100	GRID 110	-	-	-	99596713	99392619
LS 350-250-630	Siemens	4	250	315L	79.38	85	D250	99390316	96789274	96809943	-	-
LS 350-250-630	Siemens	4	315	315L	79.38	85	GRID 90	-	-	-	99392591	99392618
LS 350-250-630	Siemens	4	355	355M	79.38	95	GRID 90	-	-	-	99392584	99392618
LS 350-250-630	Siemens	4	400	355M	79.38	95	GRID 90	-	-	-	99392584	99392618
LS 350-250-630	Siemens	4	500	355M	79.38	95	GRID 90	-	-	-	99392584	99392618
LS 350-250-630	Siemens	4	560	400	79.38	110	GRID 110	-	-	-	99392585	99392619
LS 350-250-630	Siemens	4	630	400	79.38	110	GRID 110	-	-	-	99392585	99392619
LS 350-250-630	MMG-G	4	250	315M	79.38	100	D250	99596712	96789274	96809943	-	-
LS 350-250-630	MMG-G	4	315	355L	79.38	100	GRID 110	-	-	-	99596713	99392619
LS 350-250-630	MMG-G	4	355	355C	79.38	100	GRID 110	-	-	-	99596713	99392619
LS 350-250-630	MMG-G	4	400	315DB	79.38	95	GRID 90	-	-	-	99392584	99392618
LS 350-250-630	MMG-G	4	450	355CB	79.38	95	GRID 90	-	-	-	99392584	99392618
LS 350-250-630	MMG-G	4	500	355CB	79.38	95	GRID 90	-	-	-	99392584	99392618

Pump typ	Motor brand	Pole	Power [kW]	Frame size	Shaft diameter [mm]		Coupling type	Grundfos standard coupling, pin bush			Grid coupling	
					Pump	Motor		Kit No	Rubber	Bolts	Coupling complete	Assemble set
LS 350-250-630	MMG-G	4	560	400CB	79.38	110	GRID 110	-	-	-	99392585	99392619
LS 350-250-630	MMG-G	4	600	400CB	79.38	110	GRID 110	-	-	-	99392585	99392619
LS 350-250-630	MMG-G	4	530	355CB	79.38	95	GRID 90	-	-	-	99392584	99392618
LS 350-250-630	MMG-G	4	425	355CB	79.38	95	GRID 90	-	-	-	99392584	99392618
LS 350-250-630	MMG-G	4	475	355CB	79.38	95	GRID 90	-	-	-	99392584	99392618
LS 350-250-630	Siemens	6	110	315L	79.38	80	D250	99390315	96789274	96809943	-	-
LS 350-250-630	Siemens	6	132	315L	79.38	80	D250	99390315	96789274	96809943	-	-
LS 350-250-630	Siemens	6	160	315L	79.38	80	D250	99390315	96789274	96809943	-	-
LS 350-250-630	Siemens	6	200	315L	79.38	85	GRID 90	-	-	-	99392591	99392618
LS 350-250-630	Siemens	6	250	315L	79.38	85	GRID 90	-	-	-	99392591	99392618
LS 350-250-630	Siemens	6	315	355M	79.38	95	GRID 90	-	-	-	99392584	99392618
LS 350-250-630	Siemens	6	75	315S	79.38	80	D250	99390315	96789274	96809943	-	-
LS 350-250-630	Siemens	6	90	315M	79.38	80	D250	99390315	96789274	96809943	-	-
LS 350-250-630	MMG-G	6	110	315L	79.38	80	D250	99390315	96789274	96809943	-	-
LS 350-250-630	MMG-G	6	132	315L	79.38	80	D250	99390315	96789274	96809943	-	-
LS 350-250-630	MMG-G	6	160	355M	79.38	100	D250	99596712	96789274	96809943	-	-
LS 350-250-630	MMG-G	6	200	355M	79.38	100	GRID 110	-	-	-	99596713	99392619
LS 350-250-630	MMG-G	6	220	355M	79.38	100	GRID 110	-	-	-	99596713	99392619
LS 350-250-630	MMG-G	6	250	355L	79.38	100	GRID 110	-	-	-	99596713	99392619
LS 350-250-630	MMG-G	6	300	355C	79.38	100	GRID 110	-	-	-	99596713	99392619
LS 350-250-630	MMG-G	6	75	315S	79.38	80	D250	99390315	96789274	96809943	-	-
LS 350-250-630	MMG-G	6	90	315M	79.38	80	D250	99390315	96789274	96809943	-	-
LS 350-250-630	MMG-G	6	185	355M	79.38	100	GRID 110	-	-	-	99596713	99392619
LS 350-300-508	Siemens	6	110	315L	63.5	80	D250	99390310	96789274	96809943	-	-
LS 350-300-508	Siemens	6	132	315L	63.5	80	D250	99390310	96789274	96809943	-	-
LS 350-300-508	Siemens	6	160	315L	63.5	80	D250	99390310	96789274	96809943	-	-
LS 350-300-508	Siemens	6	200	315L	63.5	80	GRID 80	-	-	-	99392587	99392617
LS 350-300-508	Siemens	6	55	280M	63.5	75	D250	99390320	96789274	96809943	-	-
LS 350-300-508	Siemens	6	75	315S	63.5	80	D250	99390310	96789274	96809943	-	-
LS 350-300-508	Siemens	6	90	315M	63.5	80	D250	99390310	96789274	96809943	-	-
LS 350-300-508	MMG-G	6	110	315L	63.5	80	D250	99390310	96789274	96809943	-	-
LS 350-300-508	MMG-G	6	132	315L	63.5	80	D250	99390310	96789274	96809943	-	-
LS 350-300-508	MMG-G	6	160	355M	63.5	100	D250	99596708	96789274	96809943	-	-
LS 350-300-508	MMG-G	6	200	355M	63.5	100	GRID 110	-	-	-	99596709	99392619
LS 350-300-508	MMG-G	6	220	355M	63.5	100	GRID 110	-	-	-	99596709	99392619
LS 350-300-508	MMG-G	6	250	355L	63.5	100	GRID 110	-	-	-	99596709	99392619
LS 350-300-508	MMG-G	6	300	355C	63.5	100	GRID 110	-	-	-	99596709	99392619
LS 350-300-508	MMG-G	6	55	280M	63.5	75	D250	99390320	96789274	96809943	-	-
LS 350-300-508	MMG-G	6	75	315S	63.5	80	D250	99390310	96789274	96809943	-	-
LS 350-300-508	MMG-G	6	90	315M	63.5	80	D250	99390310	96789274	96809943	-	-
LS 350-300-508	MMG-G	6	185	355M	63.5	100	GRID 110	-	-	-	99596709	99392619

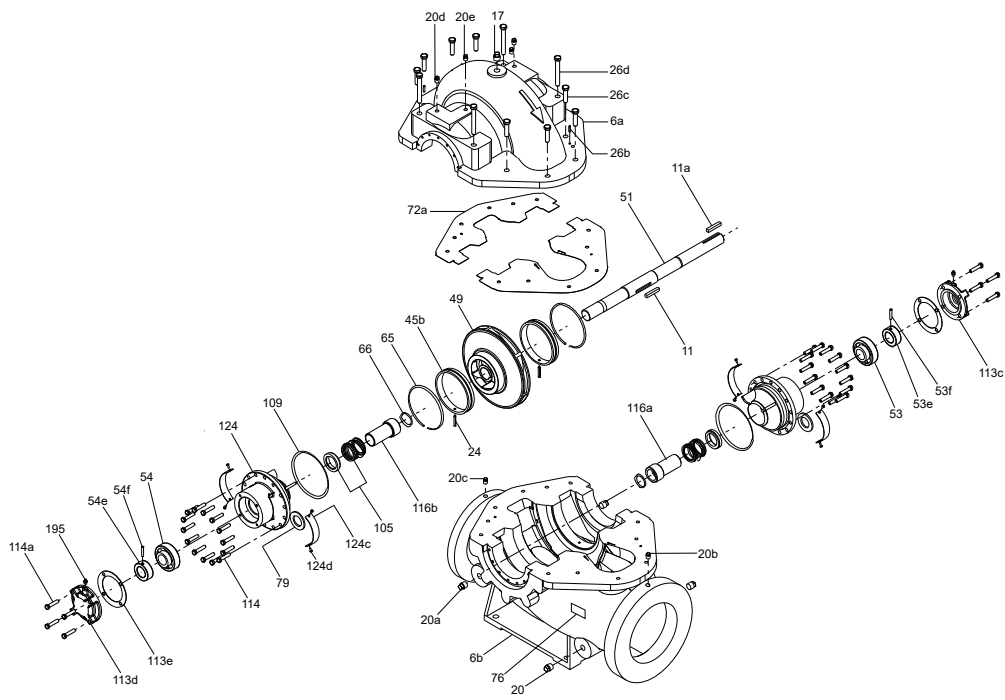
LS

LS 65-50-241, LS 65-50-330, LS 100-80-241



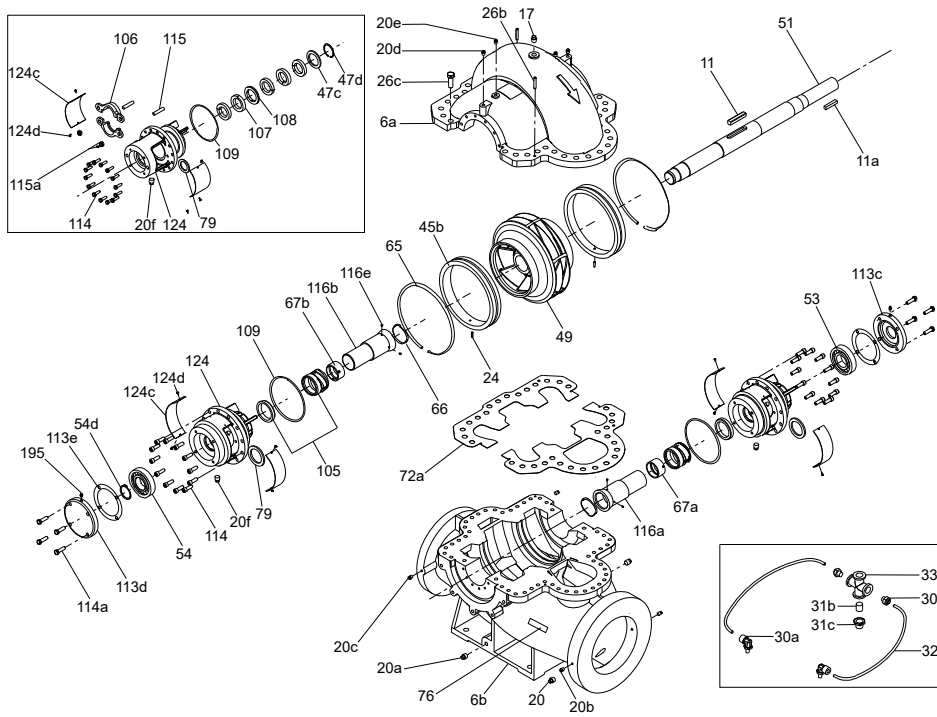
TM039940

LS 125-100-381, LS 125-100-388



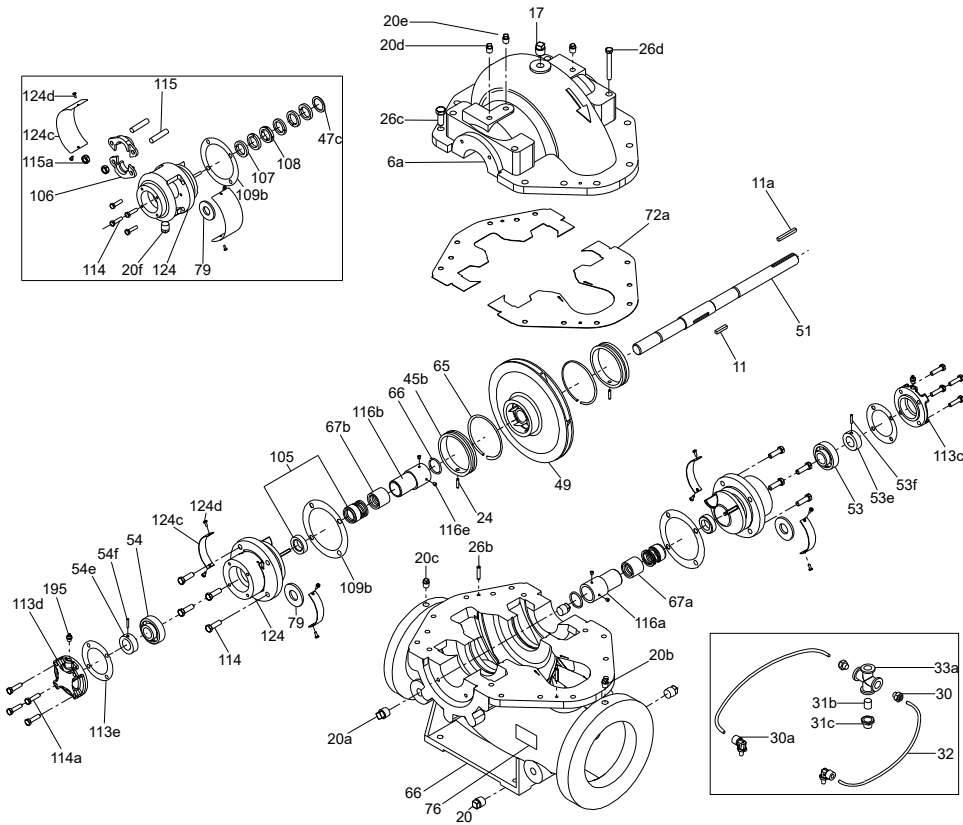
TM039948

LS 200-150-483 XE



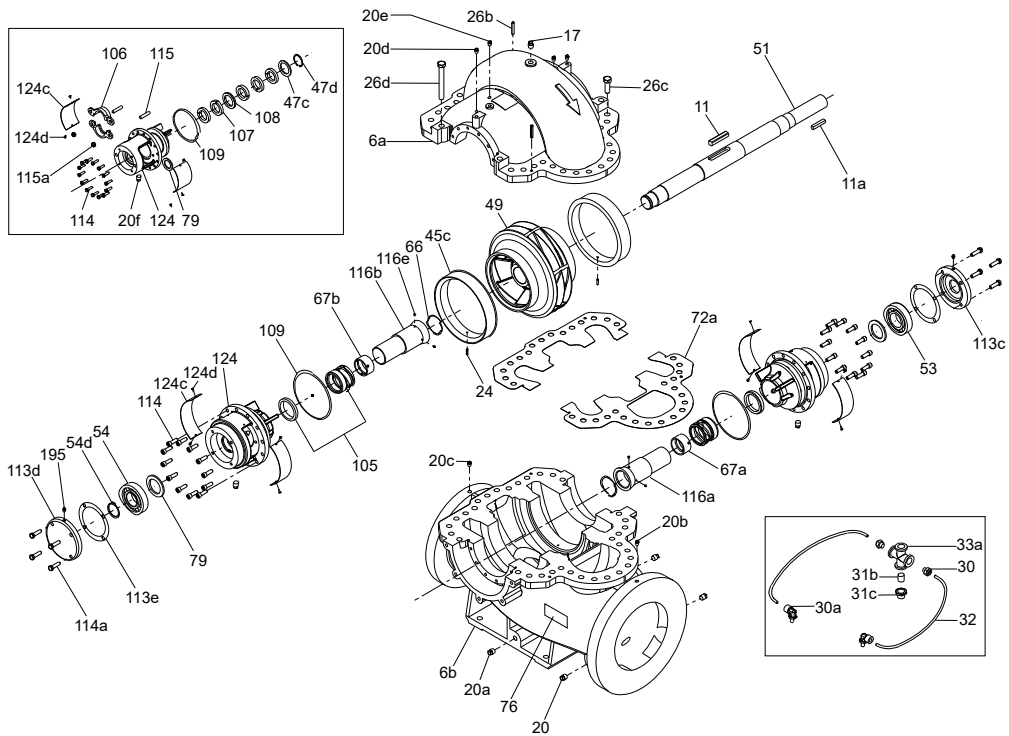
TM039947

LS 100-80-241



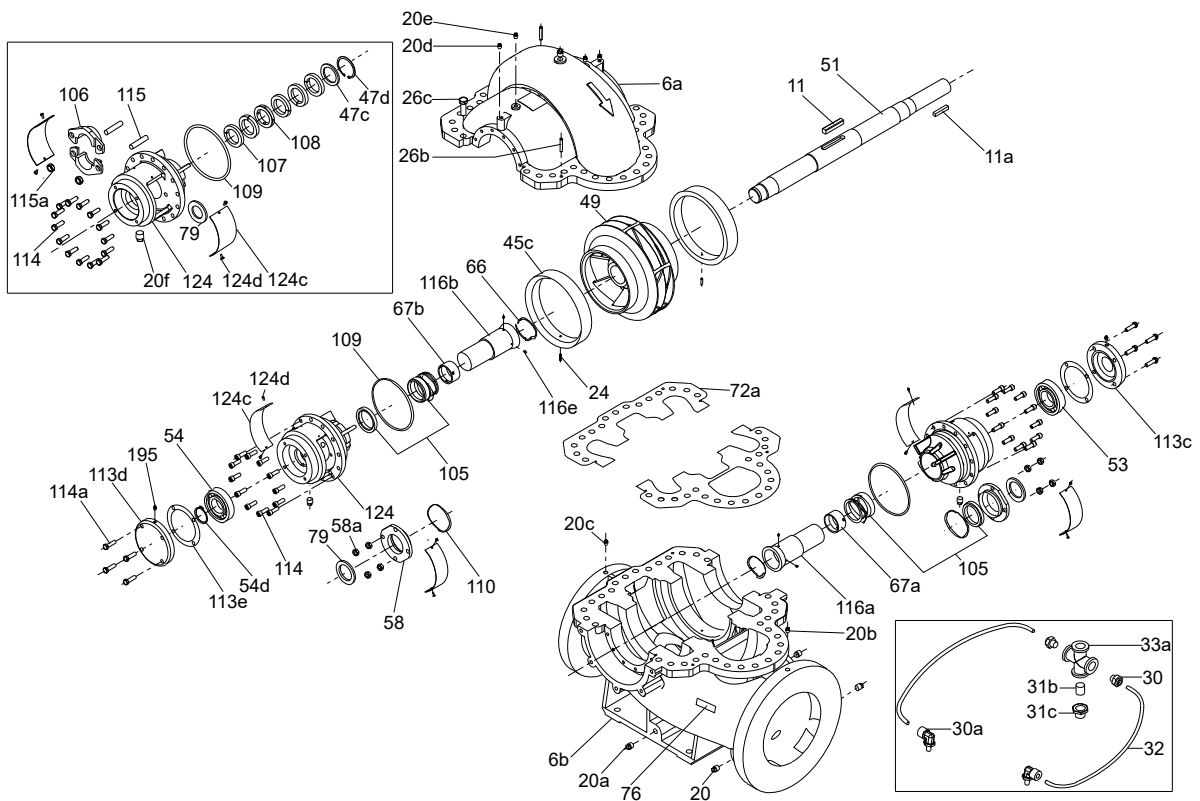
TM039951

LS 200-150-381, LS 200-150-381B, LS 250-200-305, LS 250-200-381, LS 300-250-305



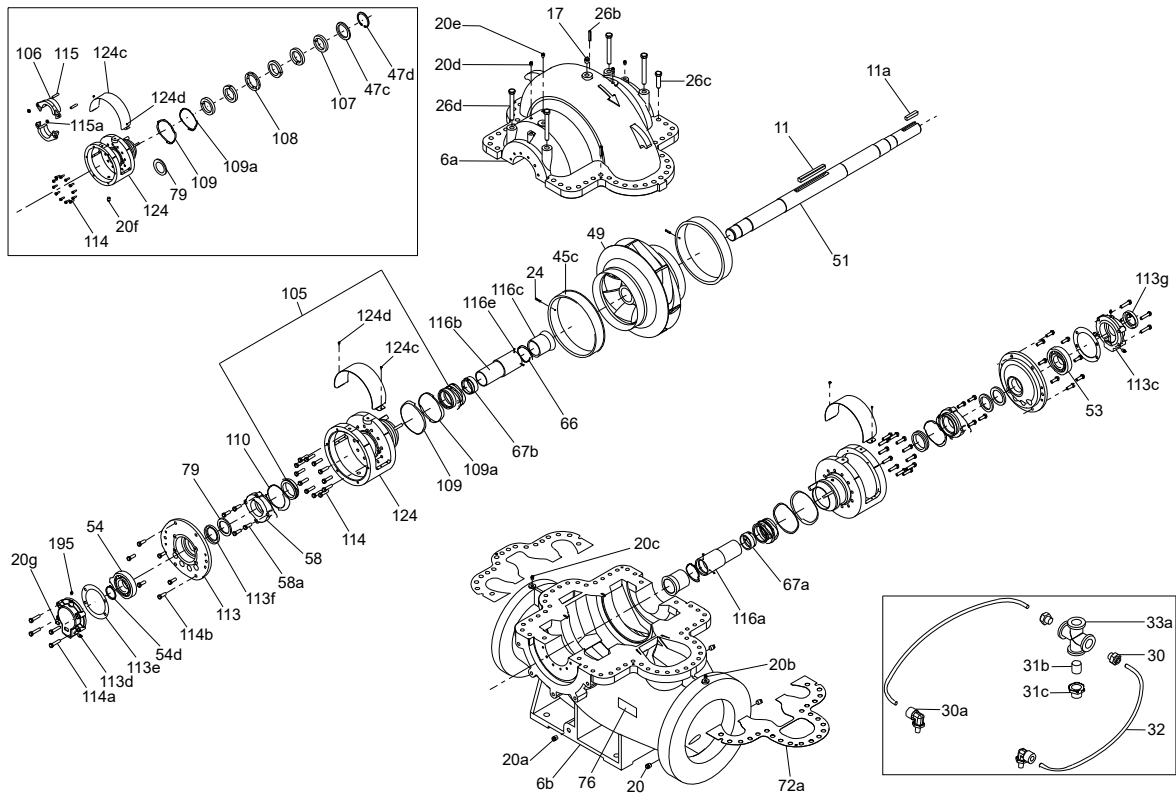
TM039949

LS 300-250-381



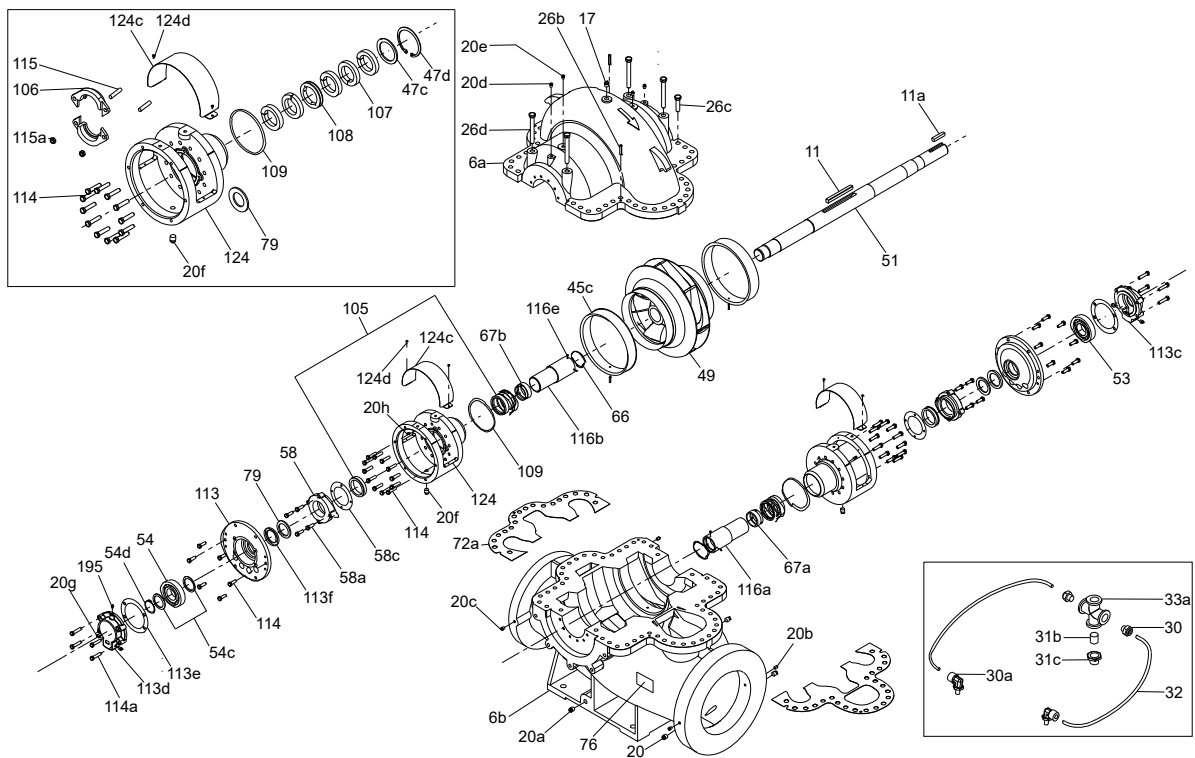
TM039941

LS 350-250-498, LS 350-250-630



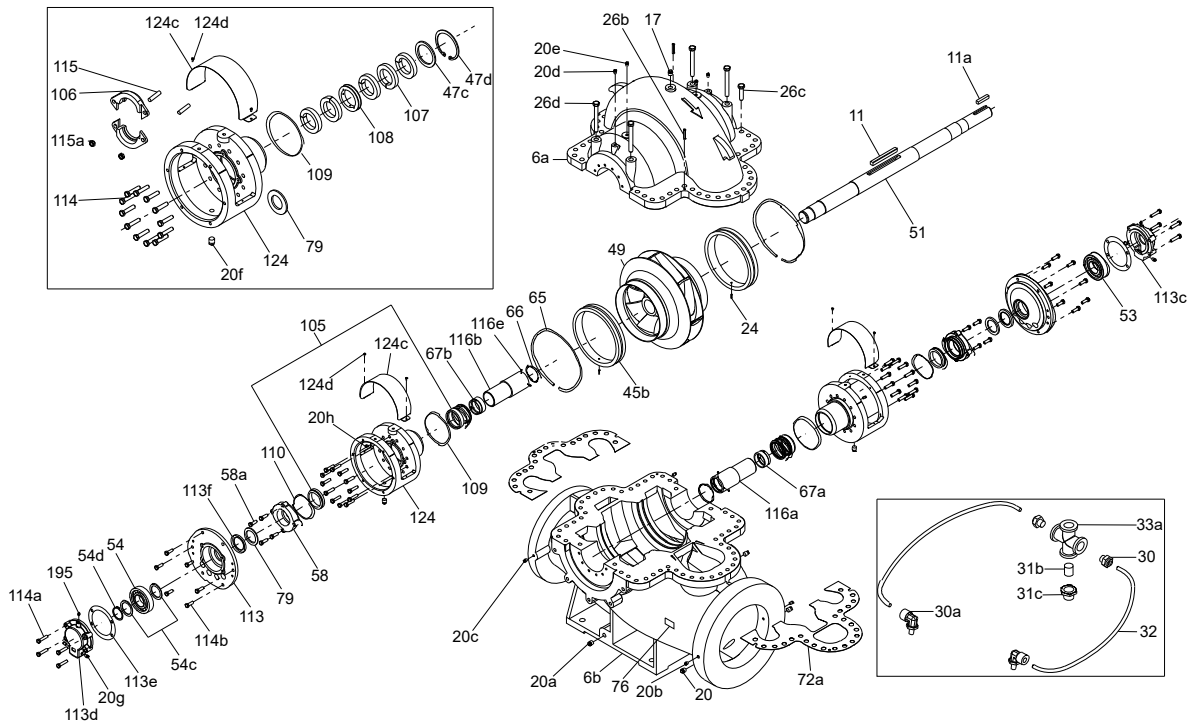
TM039944

LS 200-150-508



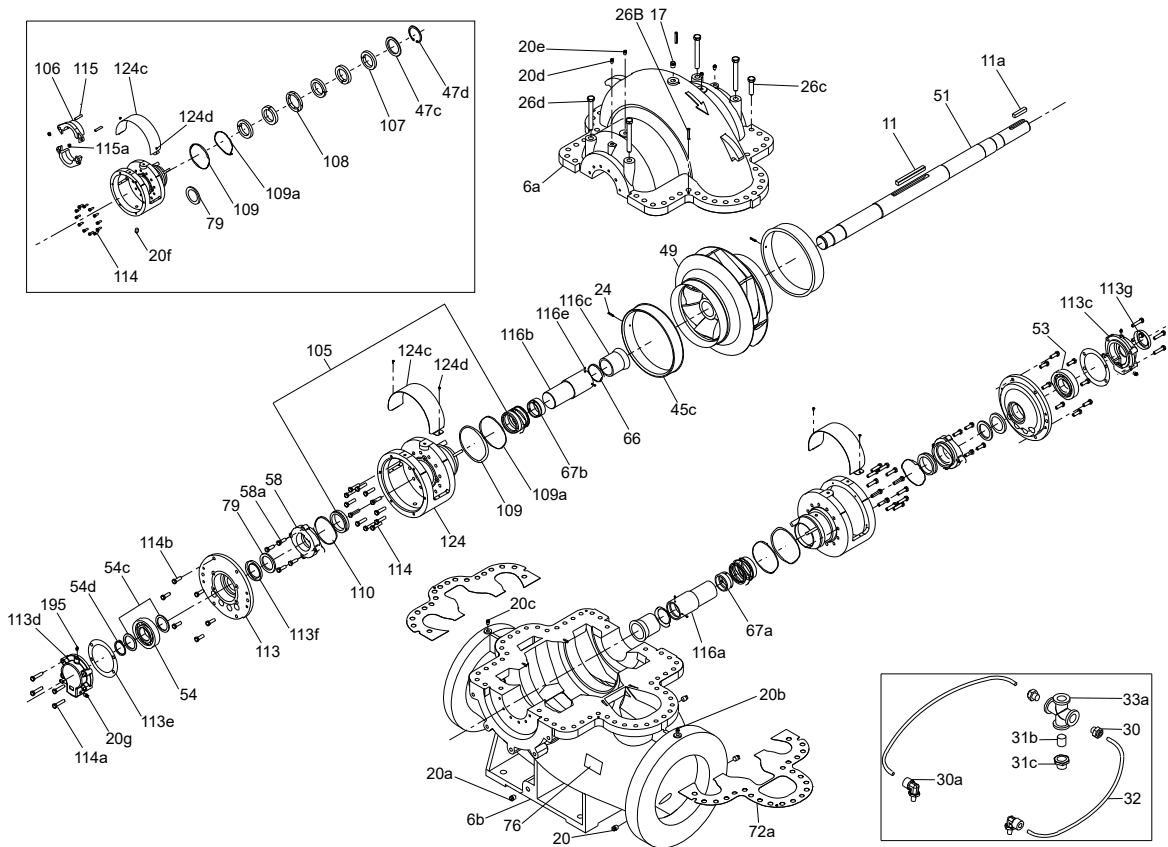
TM039945

LS 200-150-483



TM039946

LS 300-200-489, LS 350-300-508



TM039942

LS, without sleeve

Example, pump without sleeve

LS 125 -100 -305X /273.1 , (W) 1 F2 D S BBQE 1

Material code: D, E, J, L

50/60 Hz

Bearing

Pos.	Description	LS65	LS100-80-356	LS150	LS200-150-381	LS300-250-381
		LS100-80-241	LS125	LS200-150-305	LS200-150-483	LS250
Kit No		99291587	99291986	99294128	99294133	99294136
53	Bearing	1	1	1	1	1
54	Bearing	1	1	1	1	1
54e	Round nut	1	1	1	1	1
54c	Lock washer	1	1	1	1	1
54d	Tab washer	1	1	1	-	1
109	O-ring	-	2	2	2	2
109a	O-ring	-	-	-	-	-
109b	Gasket	2	-	-	-	-
110	O-ring					
113e	Gasket	2	2	2	2	2
113f	Lip seal	2	2	2	2	2
113g	Lip seal	1	1	1	1	1

Pos.	Description	LS200-150-483 X6	LS200-150-508	LS300-200-489	LS350-250-498	LS450-350-397
		LS350-300-508	LS350-250-630	LS350-250-630	LS350-250-630	LS350-250-630
Kit No		99294137	99294138	99294139	99294154	99294140
53	Bearing	1	1	1	1	1
54	Bearing	1	1	1	1	1
54e	Round nut	1	1	1	1	1
54c	Lock washer	1	1	1	1	1
54d	Tab washer	1	1	1	1	1
109	O-ring	2	2	2	2	2
109a	O-ring	2	-	2	-	-
109b	Gasket	-	2	-	2	2
110	O-ring			2	2	2
113e	Gasket	2	2	2	2	2
113f	Lip seal	2	2	2	2	2
113g	Lip seal	1	1	1	1	1

Gasket

Pos.	Description	LS65-50-241	LS100-80-356	LS150-125-305	LS150-125-381	LS200-150-305	LS200-150-381
		LS65-50-330	LS125	LS150-125-305	LS150-125-381	LS200-150-305	LS200-150-381
Kit No		99344669	99344670	99344671	99344672	99344673	99344674
72a	Gasket	1	1	1	1	1	1
79	Slinger	2	2	2	2	2	2
109	O-ring	-	2	2	2	2	2
109a	O-ring	-	-	-	-	-	-
109b	Gasket	2	-	-	-	-	-
110	O-ring	-	-	-	-	-	-
113e	Gasket	2	2	2	2	2	2
113f	Lip seal	2	2	2	2	2	2
113g	Lip seal	1	1	1	1	1	1

Pos.	Description	LS200-150-483	LS200-150-483 X6	LS200-150-508	LS250-200-305	LS250-200-381	LS300-200-489
	Kit No	99344675	99344676	99344677	99344678	99344679	99344680
72a	Gasket	1	1	1	1	1	1
79	Slinger	2	2	2	2	2	2
109	O-ring	2	2	2	2	2	2
109a	O-ring	-	2	-	-	-	2
109b	Gasket	-	-	2	-	-	-
110	O-ring	-	-	-	-	-	2
113e	Gasket	2	2	2	2	2	2
113f	Lip seal	2	2	2	2	2	2
113g	Lip seal	1	1	1	1	1	1

Pos.	Description	LS300-250-305	LS300-250-381	LS350-250-498	LS350-300-508	LS350-250-630	LS450-350-397
	Kit No	99344681	99344682	99344683	99344684	99344685	99344686
72a	Gasket	1	1	1	1	1	1
79	Slinger	2	2	2	2	2	2
109	O-ring	2	2	2	2	2	2
109a	O-ring	-	2	2	2	2	2
109b	Gasket	-	-	-	-	-	-
110	O-ring	-	-	2	2	2	2
113e	Gasket	2	2	2	2	2	2
113f	Lip seal	2	2	2	2	2	2
113g	Lip seal	1	1	1	1	1	1

Hardware

Pos.	Description	LS 65-50-241	LS 100-80-356	LS 125-100-279	LS 125-100-381	LS 150-125-305
		LS 65-50-330		LS 125-100-305	LS 125-100-388	LS 200-150-305C
		LS 100-80-241				
Kit No		96827660	96827622	96827624	96827626	96827629
26	Stud		28	28	28	
26b	Roll pin	2	2	2	2	2
26c	Cap screw	12	12	10	12	54
26d	Cap screw	8	4	4	4	4
36	Nut	-	28	28	28	-
114a	Cap screw	8	8	8	8	8

Pos.	Description	LS 150-125-381	LS 200-150-381	LS 200-150-483	LS 200-150-508	LS 300-200-489
		LS 200-150-305A	LS 250-200-305			LS 350-300-508
		LS 250-200-381				
		LS 300-250-305				
Kit No		96827632	96827636	96827640	96827644	96827649
26b	Roll pin	2	2	2	2	2
26c	Cap screw	50	56	60	26	60
26d	Cap screw	4	4	4	4	4
58a	Cap screw	-	-	8	4	8
114	Screw	-	-	-	-	24
114a	Cap screw	8	4	8	8	8
114b	Cap screw	-	4	16	12	12

Pos.	Description	LS 300-250-381	LS 350-250-498	LS 350-250-630	LS 450-350-397
	Kit No	96827651	96840082	96840083	99345985
26b	Roll pin	2	2	2	2
26c	Cap screw	34	36	32	44
26d	Cap screw	-	4	4	2

Pos.	Description Kit No	LS 300-250-381	LS 350-250-498	LS 350-250-630	LS 450-350-397
		96827651	96840082	96840083	99345985
58a	Cap screw	8	8	8	2
114	Cap screw	24	28	28	32
114a	Cap screw	8	8	12	20

Impeller

The kit consists of impeller (pos. 49), key (pos. 11 and 11a), round nut (pos. 67b) and tap wash (pos. 67a).

Description	Kit No			
	Silicon bronze (B21)	Nickel-aluminium-bronze (B22)	AISI-304 (H304)	AISI-316 (H316)
LS65-50-241	99292014	99344622	99292051	99344645
LS65-50-330	99292015	99344623	99292052	99344646
LS100-80-241	99292017	99344624	99292053	99344647
LS100-80-356	99292018	99344625	99292054	99344648
LS125-100-279	99292019	99344626	99292055	99344649
LS125-100-305	99292020	99344627	99292064	99344650
LS125-100-381	-	-	99292066	99344651
LS125-100-388	99292021	99344628	-	-
LS150-125-305	99292022	99344629	99292071	99344652
LS150-125-381	99292033	99344630	99292076	99344653
LS200-150-305C	99292034	99344631	99292080	99344654
LS200-150-381	99292035	99344632	99292082	99344655
LS200-150-483	99292037	99344633	99292095	99344656
LS250-200-305	99292042	99344636	99292102	99344659
LS250-200-381	99292043	99344637	99292104	99344660
LS300-250-305	99292046	99344639	99292107	99344662
LS300-250-381	99292047	99344640	99292109	99344664
LS200-150-483 X6	99292039	99344634	99292098	99344657
LS200-150-508	99292041	99344635	99292100	99344658
LS300-200-489	99292045	99344638	99292106	99344661
LS350-300-508	99292049	99344642	99292112	99344666
LS350-250-498	99292048	99344641	99292110	99344665
LS350-250-630	99295418	99344644	99295419	99344668
LS450-350-397	99292050	99344643	99292114	99344667

Shaft without sleeve

Description	Kit No
LS 65-50-241	99393262
LS 65-50-330	99393262
LS 100-80-241	99393262
LS 100-80-356	99393263
LS 125-100-279	99393264
LS 125-100-305	99393264
LS 125-100-381	99393265
LS 125-100-388	99393266
LS 150-125-305	99393267
LS 150-125-381	99393268
LS 200-150-305	99393268
LS 200-150-381	99393269
LS 200-150-483	99393270
LS 200-150-483 X6	99393271
LS 200-150-508	99393272
LS 250-200-305	99393269
LS 250-200-381	99393273

Description	Kit No
LS 300-200-489	99393274
LS 300-250-305	99393275
LS 300-250-381	99393276
LS 350-250-498	99393277
LS 350-300-508	99393278
LS 350-250-630	99393279
LS 450-350-397	99393280

Shaft seal (BBQE)

Pos.	Description	LS 65	LS 100-80-356	LS 150	LS 200-150-381	LS 300-250-381
		LS 100-80-241	LS 125	LS 200-150-305	LS 200-150-483	LS 250
Kit No		99294141	99294142	99294153	99294155	99294156
105	Shaft seal	2	2	2	2	2
105b	Seal retainer	2	2	2	2	2
105a	Set screw	6	6	6	6	6
79	Slinger	2	2	2	2	2
109	O-ring	-	2	2	2	2
109a	O-ring	-	-	-	-	-
109b	Gasket	2	-	-	-	-
110	O-ring	-	-	-	-	-
113e	Gasket	2	2	2	2	2
54e	Round nut	1	1	1	1	1
54c	Lock washer	1	1	1	1	1
113f	Lip seal	2	2	2	2	2
113g	Lip seal	1	1	1	1	1

Pos.	Description	LS 200-150-483 X6	LS 200-150-508	LS 300-200-489	LS 350-250-498
				LS 350-300-508	LS 350-250-630
Kit No		99294157	99294158	99294159	99294160
105	Shaft seal	2	2	2	2
105b	Seal retainer	2	2	2	2
105a	Set screw	6	6	6	6
79	Slinger	2	2	2	2
109	O-ring	2	2	2	2
109a	O-ring	2		2	2
109b	Gasket	-	2	-	-
110	O-ring	-	-	2	2
113e	Gasket	2	2	2	2
54e	Round nut	1	1	1	1
54c	Lock washer	1	1	1	1
113f	Lip seal	2	2	2	2
113g	Lip seal	1	1	1	1

Shaft seal (BBQV)

Pos.	Description	LS 65	LS 100-80-356	LS 150	LS 200-150-381	LS 300-250-381
		LS 100-80-241	LS 125	LS 200-150-305	LS 200-150-483	LS 250
Kit No		99294161	99294162	99294163	99294164	99294165
105	Shaft seal	2	2	2	2	2
105b	Seal retainer	2	2	2	2	2
105a	Set screw	6	6	6	6	6

Pos.	Description	LS 65	LS 100-80-356	LS 150	LS 200-150-381	LS 300-250-381
		LS 100-80-241	LS 125	LS 200-150-305	LS 200-150-483 LS 250 LS 300-250-305	
	Kit No	99294161	99294162	99294163	99294164	99294165
79	Slinger	2	2	2	2	2
109	O-ring	-	2	2	2	2
109a	O-ring	-	-	-	-	-
109b	Gasket	2	-	-	-	-
110	O-ring	-	-	-	-	-
113e	Gasket	2	2	2	2	2
54e	Round nut	1	1	1	1	1
54c	Lock washer	1	1	1	1	1
113f	Lip seal	2	2	2	2	2
113g	Lip seal	1	1	1	1	1

Pos.	Description	LS 200-150-483 X6	LS 200-150-508	LS 300-200-489	LS 350-250-498
				LS 350-300-508 LS 450-350-397	LS 350-250-630
	Kit No	99294166	99294168	99294171	99294173
105	Shaft seal	2	2	2	2
105b	Seal retainer	2	2	2	2
105a	Set screw	6	6	6	6
79	Slinger	2	2	2	2
109	O-ring	2	2	2	2
109a	O-ring	2	-	2	2
109b	Gasket	-	2	-	-
110	O-ring	-	-	2	2
113e	Gasket	2	2	2	2
54e	Round nut	1	1	1	1
54c	Lock washer	1	1	1	1
113f	Lip seal	2	2	2	2
113g	Lip seal	1	1	1	1

Wear ring, bronze (B18)

Pos.	Description	LS 65-50-241	LS 100-80-241	LS 100-80-356B	LS 100-80-356	LS 125-100-388
		LS 65-50-330			LS 125-100-279 LS 125-100-381	
	Kit No	96827589	96827617	97735851	96827614	97735910
24	Roll pin	2	2	2	2	2
45b/c	Wear ring	2	2	2	2	2
65	Snap ring	2	2	-	2	-

Pos.	Description	LS 125-100-305	LS 150-125-305	LS 200-150-305C
			LS 150-125-381	
	Kit No	96827612	96827610	96827607
24	Roll pin	2	2	2
45b/c	Wear ring	2	2	2
65	Snap ring	2	-	-

Pos.	Description	LS 200-150-381	LS 200-150-483	LS 200-150-508	LS 250-200-305
			LS 200-150-483 X6		
	Kit No	96827606	96840041	96827604	96827602
24	Roll pin	2	2	2	2
45a/b/c	Wear ring	2	2	2	2
65	Snap ring	-	2	-	-

Pos.	Description	LS 300-200-489	LS 350-250-498	LS 350-250-630	LS 350-300-508
		Kit No	96827600	96840072	96840073
24	Roll pin	2	2	-	-
45a/b/c	Wear ring	2	2	2	2
65	Snap ring	-	-	2	2

Pos.	Description	LS 450-350-397	LS 250-200-381	LS 300-250-305E	LS 300-250-305A	LS 300-250-381
		Kit No	96827601	96827598	97932523	96827596
24	Roll pin	-	2	2	2	2
45a/b/c	Wear ring	2	2	2	2	2
65	Snap ring	-	-	-	-	-

Wear ring, stainless steel (N5)

Pos.	Description	LS 65-50-241 LS 65-50-330	LS 100-80-241	LS 100-80-356B	LS 100-80-356 LS 125-100-279 LS 125-100-381	LS 125-100-388
		Kit No	96927584	96927585	97933098	96927586
24	Roll pin	2	2	2	2	2
45b/c	Wear ring	2	2	2	2	2
65	Snap ring	2	2	-	2	-

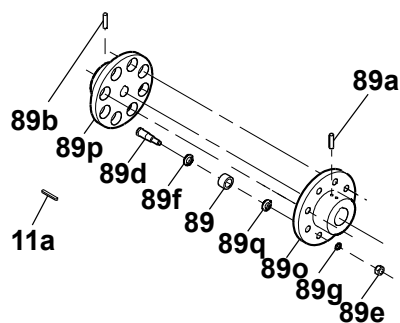
Pos.	Description	LS 125-100-305	LS 150-125-305 LS 150-125-381	LS 200-150-305C
		Kit No	96927587	96927588
24	Roll pin	2	2	2
45b/c	Wear ring	2	2	2
65	Snap ring	2	-	-

Pos.	Description	LS 200-150-381	LS 200-150-483 LS 200-150-483 X6	LS 200-150-508	LS 250-200-305
		Kit No	96927591	96927602	96927603
24	Roll pin	2	2	2	2
45a/b/c	Wear ring	2	2	2	2
65	Snap ring	-	2	-	-

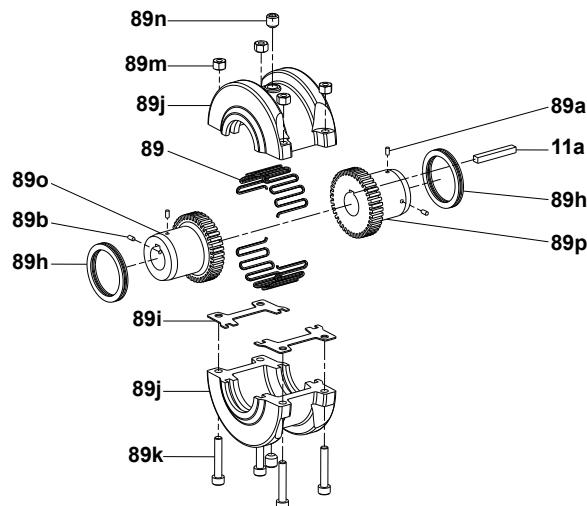
Pos.	Description	LS 300-200-489	LS 350-250-498	LS 350-250-630	LS 350-300-508
		Kit No	96927606	96927609	96927610
24	Roll pin	2	2	-	-
45a/b/c	Wear ring	2	2	2	2
65	Snap ring	-	-	2	2

Pos.	Description	LS 450-350-397	LS 250-200-381	LS 300-250-305E	LS 300-250-305A	LS 300-250-381
		Kit No	96927612	96927605	96927607	97948031
24	Roll pin	-	2	2	2	2
45a/b/c	Wear ring	2	2	2	2	2
65	Snap ring	-	-	-	-	-

Coupling



TM044767



TM074153

Grundfos standard coupling			Grid coupling	
Coupling complete	Rubber	Bolts	Coupling complete	
89o: 1 x male part		89d: 1 set of bolts	89o: 1 x coupling hub pump match	
89p: 1 x female part		89f: 1 set of washers	89p: 1 x coupling hub motor match	
89d: 1 set of bolts/rubber parts	89: 1 set	89q: 1 set of washers	11a: 1 x key	
89a: 1 x hexagon screw		89g: 1 set of lock washers		
89b: 1 x hexagon screw		89e: 1 set of nuts		
11a: 1 x key		89: 1 set of rubber parts		

Pump type	Motor brand	Pole	Power [kW]	Frame size	Shaft diameter [mm]		Coupling type	Grundfos standard coupling, pin bush			Grid coupling	
					Pump	Motor		Kit No	Rubber	Bolts	Coupling complete	Assemble set
LS 65-50-241	MG	2	11	160MB	24	42	D180	99392625	96789247	96809941	-	-
LS 65-50-241	MG	2	15	160MD	24	42	D180	99392625	96789247	96809941	-	-
LS 65-50-241	MG	2	18.5	160LB	24	42	D180	99392625	96789247	96809941	-	-
LS 65-50-241	MG	2	22	180MB	24	48	D200	99392620	96789269	96809942	-	-
LS 65-50-241	Siemens	2	30	200L	24	55	D200	99392621	96789269	96809942	-	-
LS 65-50-241	Siemens	2	37	200L	24	55	D200	99392621	96789269	96809942	-	-
LS 65-50-241	Siemens	2	45	225M	24	55	D200	99392621	96789269	96809942	-	-
LS 65-50-241	MMG-G	2	11	160M	24	42	D180	99392625	96789247	96809941	-	-
LS 65-50-241	MMG-G	2	15	160M	24	42	D180	99392625	96789247	96809941	-	-
LS 65-50-241	MMG-G	2	18.5	160L	24	42	D180	99392625	96789247	96809941	-	-
LS 65-50-241	MMG-G	2	22	180M	24	48	D200	99392620	96789269	96809942	-	-
LS 65-50-241	MMG-G	2	30	200L	24	55	D200	99392621	96789269	96809942	-	-
LS 65-50-241	MMG-G	2	37	200L	24	55	D200	99392621	96789269	96809942	-	-
LS 65-50-241	MMG-G	2	45	225MA	24	55	D200	99392621	96789269	96809942	-	-
LS 65-50-241	MMG-G	2	55	250MA	24	60	D200	99390324	96789269	96809942	-	-
LS 65-50-241	MMG-G	2	75	280SA	24	65	D200	99596715	96789269	96809942	-	-
LS 65-50-241	MG	4	1.5	90LC	24	24	D125	99392622	96789247	96809939	-	-
LS 65-50-241	MG	4	2.2	100LB	24	28	D140	99392623	96789247	96809940	-	-
LS 65-50-241	MG	4	3	100LC	24	28	D140	99392623	96789247	96809940	-	-
LS 65-50-241	MG	4	4	112MC	24	28	D140	99392623	96789247	96809940	-	-
LS 65-50-241	MG	4	5.5	132SB	24	38	D160	99392624	96789247	96809941	-	-
LS 65-50-241	MMG-G	4	1.5	90L	24	24	D125	99392622	96789247	96809939	-	-
LS 65-50-241	MMG-G	4	11	160M	24	42	D180	99392625	96789247	96809941	-	-
LS 65-50-241	MMG-G	4	2.2	100L	24	28	D140	99392623	96789247	96809940	-	-
LS 65-50-241	MMG-G	4	3	100L	24	28	D140	99392623	96789247	96809940	-	-
LS 65-50-241	MMG-G	4	4	112M	24	28	D140	99392623	96789247	96809940	-	-
LS 65-50-241	MMG-G	4	5.5	132S	24	38	D160	99392624	96789247	96809941	-	-

Pump type	Motor brand	Pole	Power [kW]	Frame size	Shaft diameter [mm]		Coupling type	Grundfos standard coupling, pin bush			Grid coupling	
					Pump	Motor		Kit No	Rubber	Bolts	Coupling complete	Assemble set
LS 65-50-241	MMG-G	4	7.5	132M	24	38	D160	99392624	96789247	96809941	-	-
LS 65-50-330	MG	4	11	160MA	24	42	D180	99392625	96789247	96809941	-	-
LS 65-50-330	MG	4	15	160LB	24	42	D180	99392625	96789247	96809941	-	-
LS 65-50-330	MG	4	4	112MC	24	28	D140	99392623	96789247	96809940	-	-
LS 65-50-330	MG	4	5.5	132SB	24	38	D160	99392624	96789247	96809941	-	-
LS 65-50-330	MG	4	7.5	132MB	24	38	D160	99392624	96789247	96809941	-	-
LS 65-50-330	MMG-G	4	11	160M	24	42	D180	99392625	96789247	96809941	-	-
LS 65-50-330	MMG-G	4	15	160L	24	42	D180	99392625	96789247	96809941	-	-
LS 65-50-330	MMG-G	4	18.5	180M	24	48	D200	99392620	96789269	96809942	-	-
LS 65-50-330	MMG-G	4	22	180L	24	48	D200	99392620	96789269	96809942	-	-
LS 65-50-330	MMG-G	4	4	112M	24	28	D140	99392623	96789247	96809940	-	-
LS 65-50-330	MMG-G	4	5.5	132S	24	38	D160	99392624	96789247	96809941	-	-
LS 65-50-330	MMG-G	4	7.5	132M	24	38	D160	99392624	96789247	96809941	-	-
LS 100-80-241	MG	2	15	160MD	24	42	D180	99392625	96789247	96809941	-	-
LS 100-80-241	MG	2	18.5	160LB	24	42	D180	99392625	96789247	96809941	-	-
LS 100-80-241	MG	2	22	180MB	24	48	D200	99392620	96789269	96809942	-	-
LS 100-80-241	Siemens	2	30	200L	24	55	D200	99392621	96789269	96809942	-	-
LS 100-80-241	Siemens	2	37	200L	24	55	D200	99392621	96789269	96809942	-	-
LS 100-80-241	Siemens	2	45	225M	24	55	D200	99392621	96789269	96809942	-	-
LS 100-80-241	Siemens	2	55	250M	24	60	D200	99390324	96789269	96809942	-	-
LS 100-80-241	Siemens	2	75	280S	24	65	D200	99390342	96789269	96809942	-	-
LS 100-80-241	MMG-G	2	110	315SA	24	65	D200	99390342	96789269	96809942	-	-
LS 100-80-241	MMG-G	2	15	160M	24	42	D180	99392625	96789247	96809941	-	-
LS 100-80-241	MMG-G	2	18.5	160L	24	42	D180	99392625	96789247	96809941	-	-
LS 100-80-241	MMG-G	2	22	180M	24	48	D200	99392620	96789269	96809942	-	-
LS 100-80-241	MMG-G	2	30	200L	24	55	D200	99392621	96789269	96809942	-	-
LS 100-80-241	MMG-G	2	37	200L	24	55	D200	99392621	96789269	96809942	-	-
LS 100-80-241	MMG-G	2	45	225MA	24	55	D200	99392621	96789269	96809942	-	-
LS 100-80-241	MMG-G	2	55	250MA	24	60	D200	99390324	96789269	96809942	-	-
LS 100-80-241	MMG-G	2	75	280SA	24	65	D200	99596715	96789269	96809942	-	-
LS 100-80-241	MMG-G	2	90	280MA	24	65	D200	99390342	96789269	96809942	-	-
LS 100-80-241	MG	4	2.2	100LB	24	28	D140	99392623	96789247	96809940	-	-
LS 100-80-241	MG	4	3	100LC	24	28	D140	99392623	96789247	96809940	-	-
LS 100-80-241	MG	4	4	112MC	24	28	D140	99392623	96789247	96809940	-	-
LS 100-80-241	MG	4	5.5	132SB	24	38	D160	99392624	96789247	96809941	-	-
LS 100-80-241	MG	4	7.5	132MB	24	38	D160	99392624	96789247	96809941	-	-
LS 100-80-241	MMG-G	4	11	160M	24	42	D180	99392625	96789247	96809941	-	-
LS 100-80-241	MMG-G	4	15	160L	24	42	D180	99392625	96789247	96809941	-	-
LS 100-80-241	MMG-G	4	2.2	100L	24	28	D140	99392623	96789247	96809940	-	-
LS 100-80-241	MMG-G	4	3	100L	24	28	D140	99392623	96789247	96809940	-	-
LS 100-80-241	MMG-G	4	4	112M	24	28	D140	99392623	96789247	96809940	-	-
LS 100-80-241	MMG-G	4	5.5	132S	24	38	D160	99392624	96789247	96809941	-	-
LS 100-80-241	MMG-G	4	7.5	132M	24	38	D160	99392624	96789247	96809941	-	-
LS 100-80-356	MG	4	11	160MA	34	42	D180	99390290	96789247	96809941	-	-
LS 100-80-356	MG	4	15	160LB	34	42	D180	99390290	96789247	96809941	-	-
LS 100-80-356	Siemens	4	18.5	180M	34	48	D200	99390291	96789269	96809942	-	-
LS 100-80-356	Siemens	4	22	180L	34	48	D200	99390291	96789269	96809942	-	-
LS 100-80-356	Siemens	4	30	200L	34	55	D200	99390292	96789269	96809942	-	-
LS 100-80-356	MG	4	7.5	132MB	34	38	D160	99390295	96789247	96809941	-	-
LS 100-80-356	MMG-G	4	11	160M	34	42	D180	99390290	96789247	96809941	-	-
LS 100-80-356	MMG-G	4	15	160L	34	42	D180	99390290	96789247	96809941	-	-
LS 100-80-356	MMG-G	4	18.5	180M	34	48	D200	99390291	96789269	96809942	-	-

Pump type	Motor brand	Pole	Power [kW]	Frame size	Shaft diameter [mm]		Coupling type	Grundfos standard coupling, pin bush			Grid coupling	
					Pump	Motor		Kit No	Rubber	Bolts	Coupling complete	Assemble set
LS 100-80-356	MMG-G	4	22	180L	34	48	D200	99390291	96789269	96809942	-	-
LS 100-80-356	MMG-G	4	30	200L	34	55	D200	99390292	96789269	96809942	-	-
LS 100-80-356	MMG-G	4	37	225S	34	60	D224	99390293	96789269	96809942	-	-
LS 100-80-356	MMG-G	4	45	225M	34	60	D224	99390293	96789269	96809942	-	-
LS 100-80-356	MMG-G	4	7.5	132M	34	38	D160	99390295	96789247	96809941	-	-
LS 125-100-279	MG	2	18.5	160LB	34	42	D180	99390290	96789247	96809941	-	-
LS 125-100-279	MG	2	22	180MB	34	48	D200	99390291	96789269	96809942	-	-
LS 125-100-279	Siemens	2	30	200L	34	55	D200	99390292	96789269	96809942	-	-
LS 125-100-279	Siemens	2	37	200L	34	55	D200	99390292	96789269	96809942	-	-
LS 125-100-279	Siemens	2	45	225M	34	55	D200	99390292	96789269	96809942	-	-
LS 125-100-279	Siemens	2	55	250M	34	60	D224	99390293	96789269	96809942	-	-
LS 125-100-279	Siemens	2	75	280S	34	65	D224	99390294	96789269	96809942	-	-
LS 125-100-279	MMG-G	2	110	315SA	34	65	D224	99390294	96789269	96809942	-	-
LS 125-100-279	MMG-G	2	18.5	160L	34	42	D180	99390290	96789247	96809941	-	-
LS 125-100-279	MMG-G	2	22	180M	34	48	D200	99390291	96789269	96809942	-	-
LS 125-100-279	MMG-G	2	30	200L	34	55	D200	99390292	96789269	96809942	-	-
LS 125-100-279	MMG-G	2	37	200L	34	55	D200	99390292	96789269	96809942	-	-
LS 125-100-279	MMG-G	2	45	225MA	34	55	D200	99390292	96789269	96809942	-	-
LS 125-100-279	MMG-G	2	55	250MA	34	60	D224	99390293	96789269	96809942	-	-
LS 125-100-279	MMG-G	2	75	280SA	34	65	D224	99390294	96789269	96809942	-	-
LS 125-100-279	MMG-G	2	90	280MA	34	65	D224	99390294	96789269	96809942	-	-
LS 125-100-279	MG	4	11	160MA	34	42	D180	99390290	96789247	96809941	-	-
LS 125-100-279	MG	4	15	160LB	34	42	D180	99390290	96789247	96809941	-	-
LS 125-100-279	MG	4	2.2	100LB	34	28	D160	99390296	96789247	96809941	-	-
LS 125-100-279	MG	4	3	100LC	34	28	D160	99390296	96789247	96809941	-	-
LS 125-100-279	MG	4	4	112MC	34	28	D160	99390296	96789247	96809941	-	-
LS 125-100-279	MG	4	5.5	132SB	34	38	D160	99390295	96789247	96809941	-	-
LS 125-100-279	MG	4	7.5	132MB	34	38	D160	99390295	96789247	96809941	-	-
LS 125-100-279	MMG-G	4	11	160M	34	42	D180	99390290	96789247	96809941	-	-
LS 125-100-279	MMG-G	4	15	160L	34	42	D180	99390290	96789247	96809941	-	-
LS 125-100-279	MMG-G	4	18.5	180M	34	48	D200	99390291	96789269	96809942	-	-
LS 125-100-279	MMG-G	4	2.2	100L	34	28	D160	99390296	96789247	96809941	-	-
LS 125-100-279	MMG-G	4	22	180L	34	48	D200	99390291	96789269	96809942	-	-
LS 125-100-279	MMG-G	4	3	100L	34	28	D160	99390296	96789247	96809941	-	-
LS 125-100-279	MMG-G	4	4	112M	34	28	D160	99390296	96789247	96809941	-	-
LS 125-100-279	MMG-G	4	5.5	132S	34	38	D160	99390295	96789247	96809941	-	-
LS 125-100-279	MMG-G	4	7.5	132M	34	38	D160	99390295	96789247	96809941	-	-
LS 125-100-305	Siemens	2	30	200L	34	55	D200	99390292	96789269	96809942	-	-
LS 125-100-305	Siemens	2	37	200L	34	55	D200	99390292	96789269	96809942	-	-
LS 125-100-305	Siemens	2	45	225M	34	55	D200	99390292	96789269	96809942	-	-
LS 125-100-305	Siemens	2	55	250M	34	60	D224	99390293	96789269	96809942	-	-
LS 125-100-305	Siemens	2	75	280S	34	65	D224	99390294	96789269	96809942	-	-
LS 125-100-305	Siemens	2	90	280M	34	65	D224	99390294	96789269	96809942	-	-
LS 125-100-305	Siemens	2	110	315S	34	65	D224	99390294	96789269	96809942	-	-
LS 125-100-305	Siemens	2	132	315M	34	65	D224	99390294	96789269	96809942	-	-
LS 125-100-305	Siemens	2	160	315L	34	65	D224	99390294	96789269	96809942	-	-
LS 125-100-305	MMG-G	2	110	315SA	34	65	D224	99390294	96789269	96809942	-	-
LS 125-100-305	MMG-G	2	132	315MA	34	65	D224	99390294	96789269	96809942	-	-
LS 125-100-305	MMG-G	2	30	200L	34	55	D200	99390292	96789269	96809942	-	-
LS 125-100-305	MMG-G	2	37	200L	34	55	D200	99390292	96789269	96809942	-	-
LS 125-100-305	MMG-G	2	45	225MA	34	55	D200	99390292	96789269	96809942	-	-
LS 125-100-305	MMG-G	2	55	250MA	34	60	D224	99390293	96789269	96809942	-	-

Pump type	Motor brand	Pole	Power [kW]	Frame size	Shaft diameter [mm]		Coupling type	Grundfos standard coupling, pin bush			Grid coupling	
					Pump	Motor		Kit No	Rubber	Bolts	Coupling complete	Assemble set
LS 125-100-305	MMG-G	2	75	280SA	34	65	D224	99390294	96789269	96809942	-	-
LS 125-100-305	MMG-G	2	90	280MA	34	65	D224	99390294	96789269	96809942	-	-
LS 125-100-305	MMG-G	2	160	315L	34	65	D224	99390294	96789269	96809942	-	-
LS 125-100-305	MG	4	11	160MA	34	42	D180	99390290	96789247	96809941	-	-
LS 125-100-305	MG	4	15	160LB	34	42	D180	99390290	96789247	96809941	-	-
LS 125-100-305	Siemens	4	18.5	180M	34	48	D200	99390291	96789269	96809942	-	-
LS 125-100-305	Siemens	4	22	180L	34	48	D200	99390291	96789269	96809942	-	-
LS 125-100-305	MG	4	4	112MC	34	28	D160	99390296	96789247	96809941	-	-
LS 125-100-305	MG	4	5.5	132SB	34	38	D160	99390295	96789247	96809941	-	-
LS 125-100-305	MG	4	7.5	132MB	34	38	D160	99390295	96789247	96809941	-	-
LS 125-100-305	MMG-G	4	11	160M	34	42	D180	99390290	96789247	96809941	-	-
LS 125-100-305	MMG-G	4	15	160L	34	42	D180	99390290	96789247	96809941	-	-
LS 125-100-305	MMG-G	4	18.5	180M	34	48	D200	99390291	96789269	96809942	-	-
LS 125-100-305	MMG-G	4	22	180L	34	48	D200	99390291	96789269	96809942	-	-
LS 125-100-305	MMG-G	4	30	200L	34	55	D200	99390292	96789269	96809942	-	-
LS 125-100-305	MMG-G	4	37	225S	34	60	D224	99390293	96789269	96809942	-	-
LS 125-100-305	MMG-G	4	4	112M	34	28	D160	99390296	96789247	96809941	-	-
LS 125-100-305	MMG-G	4	45	225M	34	60	D224	99390293	96789269	96809942	-	-
LS 125-100-305	MMG-G	4	5.5	132S	34	38	D160	99390295	96789247	96809941	-	-
LS 125-100-305	MMG-G	4	7.5	132M	34	38	D160	99390295	96789247	96809941	-	-
LS 125-100-381	MG	4	11	160MA	34	42	D180	99390290	96789247	96809941	-	-
LS 125-100-381	MG	4	15	160LB	34	42	D180	99390290	96789247	96809941	-	-
LS 125-100-381	Siemens	4	18.5	180M	34	48	D200	99390291	96789269	96809942	-	-
LS 125-100-381	Siemens	4	22	180L	34	48	D200	99390291	96789269	96809942	-	-
LS 125-100-381	Siemens	4	30	200L	34	55	D200	99390292	96789269	96809942	-	-
LS 125-100-381	Siemens	4	37	225S	34	60	D224	99390293	96789269	96809942	-	-
LS 125-100-381	Siemens	4	45	225M	34	60	D224	99390293	96789269	96809942	-	-
LS 125-100-381	Siemens	4	55	250M	34	65	D224	99390294	96789269	96809942	-	-
LS 125-100-381	Siemens	4	75	280S	34	75	D250	99390297	96789274	96809943	-	-
LS 125-100-381	MMG-G	4	11	160M	34	42	D180	99390290	96789247	96809941	-	-
LS 125-100-381	MMG-G	4	110	315S	34	80	D250	99390326	96789274	96809943	-	-
LS 125-100-381	MMG-G	4	15	160L	34	42	D180	99390290	96789247	96809941	-	-
LS 125-100-381	MMG-G	4	18.5	180M	34	48	D200	99390291	96789269	96809942	-	-
LS 125-100-381	MMG-G	4	22	180L	34	48	D200	99390291	96789269	96809942	-	-
LS 125-100-381	MMG-G	4	30	200L	34	55	D200	99390292	96789269	96809942	-	-
LS 125-100-381	MMG-G	4	37	225S	34	60	D224	99390293	96789269	96809942	-	-
LS 125-100-381	MMG-G	4	45	225M	34	60	D224	99390293	96789269	96809942	-	-
LS 125-100-381	MMG-G	4	55	250M	34	65	D224	99390294	96789269	96809942	-	-
LS 125-100-381	MMG-G	4	75	280S	34	75	D250	99390297	96789274	96809943	-	-
LS 125-100-381	MMG-G	4	90	280M	34	75	D250	99390297	96789274	96809943	-	-
LS 150-125-305	MG	4	11	160MA	34	42	D180	99390290	96789247	96809941	-	-
LS 150-125-305	MG	4	15	160LB	34	42	D180	99390290	96789247	96809941	-	-
LS 150-125-305	Siemens	4	18.5	180M	34	48	D200	99390291	96789269	96809942	-	-
LS 150-125-305	Siemens	4	22	180L	34	48	D200	99390291	96789269	96809942	-	-
LS 150-125-305	Siemens	4	30	200L	34	55	D200	99390292	96789269	96809942	-	-
LS 150-125-305	Siemens	4	37	225S	34	60	D224	99390293	96789269	96809942	-	-
LS 150-125-305	MG	4	5.5	132SB	34	38	D160	99390295	96789247	96809941	-	-
LS 150-125-305	MG	4	7.5	132MB	34	38	D160	99390295	96789247	96809941	-	-
LS 150-125-305	MMG-G	4	11	160M	34	42	D180	99390290	96789247	96809941	-	-
LS 150-125-305	MMG-G	4	15	160L	34	42	D180	99390290	96789247	96809941	-	-
LS 150-125-305	MMG-G	4	18.5	180M	34	48	D200	99390291	96789269	96809942	-	-
LS 150-125-305	MMG-G	4	22	180L	34	48	D200	99390291	96789269	96809942	-	-

Pump type	Motor brand	Pole	Power [kW]	Frame size	Shaft diameter [mm]		Coupling type	Grundfos standard coupling, pin bush			Grid coupling	
					Pump	Motor		Kit No	Rubber	Bolts	Coupling complete	Assemble set
LS 150-125-305	MMG-G	4	30	200L	34	55	D200	99390292	96789269	96809942	-	-
LS 150-125-305	MMG-G	4	37	225S	34	60	D224	99390293	96789269	96809942	-	-
LS 150-125-305	MMG-G	4	45	225M	34	60	D224	99390293	96789269	96809942	-	-
LS 150-125-305	MMG-G	4	5.5	132S	34	38	D160	99390295	96789247	96809941	-	-
LS 150-125-305	MMG-G	4	55	250M	34	65	D224	99390294	96789269	96809942	-	-
LS 150-125-305	MMG-G	4	7.5	132M	34	38	D160	99390295	96789247	96809941	-	-
LS 150-125-381	MG	4	15	160LB	34	42	D180	99390290	96789247	96809941	-	-
LS 150-125-381	Siemens	4	18.5	180M	34	48	D200	99390291	96789269	96809942	-	-
LS 150-125-381	Siemens	4	22	180L	34	48	D200	99390291	96789269	96809942	-	-
LS 150-125-381	Siemens	4	30	200L	34	55	D200	99390292	96789269	96809942	-	-
LS 150-125-381	Siemens	4	37	225S	34	60	D224	99390293	96789269	96809942	-	-
LS 150-125-381	Siemens	4	45	225M	34	60	D224	99390293	96789269	96809942	-	-
LS 150-125-381	Siemens	4	55	250M	34	65	D224	99390294	96789269	96809942	-	-
LS 150-125-381	Siemens	4	75	280S	34	75	D250	99390297	96789274	96809943	-	-
LS 150-125-381	MMG-G	4	110	315S	34	80	D250	99390326	96789274	96809943	-	-
LS 150-125-381	MMG-G	4	132	315M	34	80	D250	99390326	96789274	96809943	-	-
LS 150-125-381	MMG-G	4	15	160L	34	42	D180	99390290	96789247	96809941	-	-
LS 150-125-381	MMG-G	4	18.5	180M	34	48	D200	99390291	96789269	96809942	-	-
LS 150-125-381	MMG-G	4	22	180L	34	48	D200	99390291	96789269	96809942	-	-
LS 150-125-381	MMG-G	4	30	200L	34	55	D200	99390292	96789269	96809942	-	-
LS 150-125-381	MMG-G	4	37	225S	34	60	D224	99390293	96789269	96809942	-	-
LS 150-125-381	MMG-G	4	45	225M	34	60	D224	99390293	96789269	96809942	-	-
LS 150-125-381	MMG-G	4	55	250M	34	65	D224	99390294	96789269	96809942	-	-
LS 150-125-381	MMG-G	4	75	280S	34	75	D250	99390297	96789274	96809943	-	-
LS 150-125-381	MMG-G	4	90	280M	34	75	D250	99390297	96789274	96809943	-	-
LS 200-150-305	MG	4	11	160MA	34	42	D180	99390290	96789247	96809941	-	-
LS 200-150-305	MG	4	15	160LB	34	42	D180	99390290	96789247	96809941	-	-
LS 200-150-305	Siemens	4	18.5	180M	34	48	D200	99390291	96789269	96809942	-	-
LS 200-150-305	Siemens	4	22	180L	34	48	D200	99390291	96789269	96809942	-	-
LS 200-150-305	Siemens	4	30	200L	34	55	D200	99390292	96789269	96809942	-	-
LS 200-150-305	Siemens	4	37	225S	34	60	D224	99390293	96789269	96809942	-	-
LS 200-150-305	Siemens	4	45	225M	34	60	D224	99390293	96789269	96809942	-	-
LS 200-150-305	MMG-G	4	11	160M	34	42	D180	99390290	96789247	96809941	-	-
LS 200-150-305	MMG-G	4	15	160L	34	42	D180	99390290	96789247	96809941	-	-
LS 200-150-305	MMG-G	4	18.5	180M	34	48	D200	99390291	96789269	96809942	-	-
LS 200-150-305	MMG-G	4	22	180L	34	48	D200	99390291	96789269	96809942	-	-
LS 200-150-305	MMG-G	4	30	200L	34	55	D200	99390292	96789269	96809942	-	-
LS 200-150-305	MMG-G	4	37	225S	34	60	D224	99390293	96789269	96809942	-	-
LS 200-150-305	MMG-G	4	45	225M	34	60	D224	99390293	96789269	96809942	-	-
LS 200-150-305	MMG-G	4	55	250M	34	65	D224	99390294	96789269	96809942	-	-
LS 200-150-305	MMG-G	4	75	280S	34	75	D250	99390297	96789274	96809943	-	-
LS 200-150-381	Siemens	4	110	315S	44.45	80	D250	99390303	96789274	96809943	-	-
LS 200-150-381	Siemens	4	18.5	180M	44.45	48	D200	99390298	96789269	96809942	-	-
LS 200-150-381	Siemens	4	22	180L	44.45	48	D200	99390298	96789269	96809942	-	-
LS 200-150-381	Siemens	4	30	200L	44.45	55	D200	99390299	96789269	96809942	-	-
LS 200-150-381	Siemens	4	37	225S	44.45	60	D224	99390300	96789269	96809942	-	-
LS 200-150-381	Siemens	4	45	225M	44.45	60	D224	99390300	96789269	96809942	-	-
LS 200-150-381	Siemens	4	55	250M	44.45	65	D224	99390301	96789269	96809942	-	-
LS 200-150-381	Siemens	4	75	280S	44.45	75	D250	99390302	96789274	96809943	-	-
LS 200-150-381	Siemens	4	90	280M	44.45	75	D250	99390302	96789274	96809943	-	-
LS 200-150-381	MMG-G	4	110	315S	44.45	80	D250	99390303	96789274	96809943	-	-
LS 200-150-381	MMG-G	4	132	315M	44.45	80	D250	99390303	96789274	96809943	-	-

Pump type	Motor brand	Pole	Power [kW]	Frame size	Shaft diameter [mm]		Coupling type	Grundfos standard coupling, pin bush			Grid coupling	
					Pump	Motor		Kit No	Rubber	Bolts	Coupling complete	Assemble set
LS 200-150-381	MMG-G	4	160	315L	44.45	80	D250	99390303	96789274	96809943	-	-
LS 200-150-381	MMG-G	4	18.5	180M	44.45	48	D200	99390298	96789269	96809942	-	-
LS 200-150-381	MMG-G	4	200	315L	44.45	80	D250	99390303	96789274	96809943	-	-
LS 200-150-381	MMG-G	4	22	180L	44.45	48	D200	99390298	96789269	96809942	-	-
LS 200-150-381	MMG-G	4	30	200L	44.45	55	D200	99390299	96789269	96809942	-	-
LS 200-150-381	MMG-G	4	37	225S	44.45	60	D224	99390300	96789269	96809942	-	-
LS 200-150-381	MMG-G	4	45	225M	44.45	60	D224	99390300	96789269	96809942	-	-
LS 200-150-381	MMG-G	4	55	250M	44.45	65	D224	99390301	96789269	96809942	-	-
LS 200-150-381	MMG-G	4	75	280S	44.45	75	D250	99390302	96789274	96809943	-	-
LS 200-150-381	MMG-G	4	90	280M	44.45	75	D250	99390302	96789274	96809943	-	-
LS 200-150-483	Siemens	4	110	315S	44.45	80	D250	99390303	96789274	96809943	-	-
LS 200-150-483	Siemens	4	132	315M	44.45	80	D250	99390303	96789274	96809943	-	-
LS 200-150-483	Siemens	4	160	315L	44.45	80	D250	99390303	96789274	96809943	-	-
LS 200-150-483	Siemens	4	55	250M	44.45	65	D224	99390301	96789269	96809942	-	-
LS 200-150-483	Siemens	4	75	280S	44.45	75	D250	99390302	96789274	96809943	-	-
LS 200-150-483	Siemens	4	90	280M	44.45	75	D250	99390302	96789274	96809943	-	-
LS 200-150-483	MMG-G	4	110	315S	44.45	80	D250	99390303	96789274	96809943	-	-
LS 200-150-483	MMG-G	4	110	315S	50.8	80	D250	99596703	96789274	96809943	-	-
LS 200-150-483	MMG-G	4	132	315M	50.8	80	D250	99596703	96789274	96809943	-	-
LS 200-150-483	MMG-G	4	160	315L	50.8	80	D250	99596703	96789274	96809943	-	-
LS 200-150-483	MMG-G	4	200	315L	50.8	80	D250	99596703	96789274	96809943	-	-
LS 200-150-483	MMG-G	4	250	315M	50.8	100	D250	99596704	96789274	96809943	-	-
LS 200-150-483	MMG-G	4	55	250M	44.45	65	D224	99390301	96789269	96809942	-	-
LS 200-150-483	MMG-G	4	75	280S	44.45	75	D250	99390302	96789274	96809943	-	-
LS 200-150-483	MMG-G	4	90	280M	44.45	75	D250	99390302	96789274	96809943	-	-
LS 200-150-483	Siemens	6	15	180L	44.45	48	D200	99390298	96789269	96809942	-	-
LS 200-150-483	Siemens	6	18.5	200L	44.45	55	D200	99390299	96789269	96809942	-	-
LS 200-150-483	Siemens	6	22	200L	44.45	55	D200	99390299	96789269	96809942	-	-
LS 200-150-483	Siemens	6	30	225M	44.45	60	D224	99390300	96789269	96809942	-	-
LS 200-150-483	Siemens	6	37	250M	44.45	65	D224	99390301	96789269	96809942	-	-
LS 200-150-483	Siemens	6	45	280S	44.45	75	D250	99390302	96789274	96809943	-	-
LS 200-150-483	MMG-G	6	15	180L	44.45	48	D200	99390298	96789269	96809942	-	-
LS 200-150-483	MMG-G	6	18.5	200L	44.45	55	D200	99390299	96789269	96809942	-	-
LS 200-150-483	MMG-G	6	22	200L	44.45	55	D200	99390299	96789269	96809942	-	-
LS 200-150-483	MMG-G	6	30	225M	44.45	60	D224	99390300	96789269	96809942	-	-
LS 200-150-483	MMG-G	6	37	250M	44.45	65	D224	99390301	96789269	96809942	-	-
LS 200-150-483	MMG-G	6	45	280S	44.45	75	D250	99390302	96789274	96809943	-	-
LS 200-150-483	MMG-G	6	55	280M	44.45	75	D250	99390302	96789274	96809943	-	-
LS 200-150-483	MMG-G	6	75	315S	44.45	80	D250	99390303	96789274	96809943	-	-
LS 200-150-508	Siemens	4	110	315S	53.98	80	D250	99390307	96789274	96809943	-	-
LS 200-150-508	Siemens	4	132	315M	53.98	80	D250	99390307	96789274	96809943	-	-
LS 200-150-508	Siemens	4	160	315L	53.98	80	D250	99390307	96789274	96809943	-	-
LS 200-150-508	Siemens	4	200	315L	53.98	80	D250	99390307	96789274	96809943	-	-
LS 200-150-508	Siemens	4	250	315L	53.98	85	D250	99390308	96789274	96809943	-	-
LS 200-150-508	Siemens	4	55	250M	53.98	65	D224	99390305	96789269	96809942	-	-
LS 200-150-508	Siemens	4	75	280S	53.98	75	D250	99390306	96789274	96809943	-	-
LS 200-150-508	Siemens	4	90	280M	53.98	75	D250	99390306	96789274	96809943	-	-
LS 200-150-508	MMG-G	4	110	315S	53.98	80	D250	99390307	96789274	96809943	-	-
LS 200-150-508	MMG-G	4	132	315M	53.98	80	D250	99390307	96789274	96809943	-	-
LS 200-150-508	MMG-G	4	160	315L	53.98	80	D250	99390307	96789274	96809943	-	-
LS 200-150-508	MMG-G	4	200	315L	53.98	80	D250	99390307	96789274	96809943	-	-
LS 200-150-508	MMG-G	4	250	315M	53.98	100	D250	99596705	96789274	96809943	-	-

Pump type	Motor brand	Pole	Power [kW]	Frame size	Shaft diameter [mm]		Coupling type	Grundfos standard coupling, pin bush			Grid coupling	
					Pump	Motor		Kit No	Rubber	Bolts	Coupling complete	Assemble set
LS 200-150-508	MMG-G	4	315	355L	53.98	100	GRID 110	-	-	-	99596706	99392619
LS 200-150-508	MMG-G	4	355	355C	53.98	100	GRID 110	-	-	-	99596706	99392619
LS 200-150-508	MMG-G	4	55	250M	53.98	65	D224	99390305	96789269	96809942	-	-
LS 200-150-508	MMG-G	4	75	280S	53.98	75	D250	99390306	96789274	96809943	-	-
LS 200-150-508	MMG-G	4	90	280M	53.98	75	D250	99390306	96789274	96809943	-	-
LS 200-150-508	Siemens	6	18.5	200L	53.98	55	D200	99390317	96789269	96809942	-	-
LS 200-150-508	Siemens	6	22	200L	53.98	55	D200	99390317	96789269	96809942	-	-
LS 200-150-508	Siemens	6	30	225M	53.98	60	D224	99390318	96789269	96809942	-	-
LS 200-150-508	Siemens	6	37	250M	53.98	65	D224	99390305	96789269	96809942	-	-
LS 200-150-508	Siemens	6	45	280S	53.98	75	D250	99390306	96789274	96809943	-	-
LS 200-150-508	Siemens	6	55	280M	53.98	75	D250	99390306	96789274	96809943	-	-
LS 200-150-508	Siemens	6	75	315S	53.98	80	D250	99390307	96789274	96809943	-	-
LS 200-150-508	MMG-G	6	110	315L	53.98	80	D250	99390307	96789274	96809943	-	-
LS 200-150-508	MMG-G	6	132	315L	53.98	80	D250	99390307	96789274	96809943	-	-
LS 200-150-508	MMG-G	6	18.5	200L	53.98	55	D200	99390317	96789269	96809942	-	-
LS 200-150-508	MMG-G	6	22	200L	53.98	55	D200	99390317	96789269	96809942	-	-
LS 200-150-508	MMG-G	6	30	225M	53.98	60	D224	99390318	96789269	96809942	-	-
LS 200-150-508	MMG-G	6	37	250M	53.98	65	D224	99390305	96789269	96809942	-	-
LS 200-150-508	MMG-G	6	45	280S	53.98	75	D250	99390306	96789274	96809943	-	-
LS 200-150-508	MMG-G	6	55	280M	53.98	75	D250	99390306	96789274	96809943	-	-
LS 200-150-508	MMG-G	6	75	315S	53.98	80	D250	99390307	96789274	96809943	-	-
LS 200-150-508	MMG-G	6	90	315M	53.98	80	D250	99390307	96789274	96809943	-	-
LS 250-200-305	MG	4	15	160LB	44.45	42	D180	99390309	96789247	96809941	-	-
LS 250-200-305	Siemens	4	18.5	180M	44.45	48	D200	99390298	96789269	96809942	-	-
LS 250-200-305	Siemens	4	22	180L	44.45	48	D200	99390298	96789269	96809942	-	-
LS 250-200-305	Siemens	4	30	200L	44.45	55	D200	99390299	96789269	96809942	-	-
LS 250-200-305	Siemens	4	37	225S	44.45	60	D224	99390300	96789269	96809942	-	-
LS 250-200-305	Siemens	4	45	225M	44.45	60	D224	99390300	96789269	96809942	-	-
LS 250-200-305	Siemens	4	55	250M	44.45	65	D224	99390301	96789269	96809942	-	-
LS 250-200-305	MMG-G	4	110	315S	44.45	80	D250	99390303	96789274	96809943	-	-
LS 250-200-305	MMG-G	4	15	160L	44.45	42	D180	99390309	96789247	96809941	-	-
LS 250-200-305	MMG-G	4	18.5	180M	44.45	48	D200	99390298	96789269	96809942	-	-
LS 250-200-305	MMG-G	4	22	180L	44.45	48	D200	99390298	96789269	96809942	-	-
LS 250-200-305	MMG-G	4	30	200L	44.45	55	D200	99390299	96789269	96809942	-	-
LS 250-200-305	MMG-G	4	37	225S	44.45	60	D224	99390300	96789269	96809942	-	-
LS 250-200-305	MMG-G	4	45	225M	44.45	60	D224	99390300	96789269	96809942	-	-
LS 250-200-305	MMG-G	4	55	250M	44.45	65	D224	99390301	96789269	96809942	-	-
LS 250-200-305	MMG-G	4	75	280S	44.45	75	D250	99390302	96789274	96809943	-	-
LS 250-200-305	MMG-G	4	90	280M	44.45	75	D250	99390302	96789274	96809943	-	-
LS 250-200-381	Siemens	4	110	315S	44.45	80	D250	99390303	96789274	96809943	-	-
LS 250-200-381	Siemens	4	132	315M	44.45	80	D250	99390303	96789274	96809943	-	-
LS 250-200-381	Siemens	4	160	315L	44.45	80	D250	99390303	96789274	96809943	-	-
LS 250-200-381	Siemens	4	30	200L	44.45	55	D200	99390299	96789269	96809942	-	-
LS 250-200-381	Siemens	4	37	225S	44.45	60	D224	99390300	96789269	96809942	-	-
LS 250-200-381	Siemens	4	45	225M	44.45	60	D224	99390300	96789269	96809942	-	-
LS 250-200-381	Siemens	4	55	250M	44.45	65	D224	99390301	96789269	96809942	-	-
LS 250-200-381	Siemens	4	75	280S	44.45	75	D250	99390302	96789274	96809943	-	-
LS 250-200-381	Siemens	4	90	280M	44.45	75	D250	99390302	96789274	96809943	-	-
LS 250-200-381	MMG-G	4	110	315S	44.45	80	D250	99390303	96789274	96809943	-	-
LS 250-200-381	MMG-G	4	132	315M	44.45	80	D250	99390303	96789274	96809943	-	-
LS 250-200-381	MMG-G	4	160	315L	44.45	80	D250	99390303	96789274	96809943	-	-
LS 250-200-381	MMG-G	4	200	315L	44.45	80	D250	99390303	96789274	96809943	-	-

Pump type	Motor brand	Pole	Power [kW]	Frame size	Shaft diameter [mm]		Coupling type	Grundfos standard coupling, pin bush			Grid coupling	
					Pump	Motor		Kit No	Rubber	Bolts	Coupling complete	Assemble set
LS 250-200-381	MMG-G	4	250	315M	44.45	100	D250	99596707	96789274	96809943	-	-
LS 250-200-381	MMG-G	4	30	200L	44.45	55	D200	99390299	96789269	96809942	-	-
LS 250-200-381	MMG-G	4	37	225S	44.45	60	D224	99390300	96789269	96809942	-	-
LS 250-200-381	MMG-G	4	45	225M	44.45	60	D224	99390300	96789269	96809942	-	-
LS 250-200-381	MMG-G	4	55	250M	44.45	65	D224	99390301	96789269	96809942	-	-
LS 250-200-381	MMG-G	4	75	280S	44.45	75	D250	99390302	96789274	96809943	-	-
LS 250-200-381	MMG-G	4	90	280M	44.45	75	D250	99390302	96789274	96809943	-	-
LS 250-200-381	Siemens	6	11	160L	44.45	42	D180	99390309	96789247	96809941	-	-
LS 250-200-381	Siemens	6	15	180L	44.45	48	D200	99390298	96789269	96809942	-	-
LS 250-200-381	Siemens	6	18.5	200L	44.45	55	D200	99390299	96789269	96809942	-	-
LS 250-200-381	Siemens	6	22	200L	44.45	55	D200	99390299	96789269	96809942	-	-
LS 250-200-381	Siemens	6	30	225M	44.45	60	D224	99390300	96789269	96809942	-	-
LS 250-200-381	Siemens	6	37	250M	44.45	65	D224	99390301	96789269	96809942	-	-
LS 250-200-381	Siemens	6	45	280S	44.45	75	D250	99390302	96789274	96809943	-	-
LS 250-200-381	MMG-G	6	11	160L	44.45	42	D180	99390309	96789247	96809941	-	-
LS 250-200-381	MMG-G	6	15	180L	44.45	48	D200	99390298	96789269	96809942	-	-
LS 250-200-381	MMG-G	6	18.5	200L	44.45	55	D200	99390299	96789269	96809942	-	-
LS 250-200-381	MMG-G	6	22	200L	44.45	55	D200	99390299	96789269	96809942	-	-
LS 250-200-381	MMG-G	6	30	225M	44.45	60	D224	99390300	96789269	96809942	-	-
LS 250-200-381	MMG-G	6	37	250M	44.45	65	D224	99390301	96789269	96809942	-	-
LS 250-200-381	MMG-G	6	45	280S	44.45	75	D250	99390302	96789274	96809943	-	-
LS 250-200-381	MMG-G	6	55	280M	44.45	75	D250	99390302	96789274	96809943	-	-
LS 250-200-381	MMG-G	6	75	315S	44.45	80	D250	99390303	96789274	96809943	-	-
LS 300-200-489	Siemens	4	110	315S	63.5	80	D250	99390310	96789274	96809943	-	-
LS 300-200-489	Siemens	4	132	315M	63.5	80	D250	99390310	96789274	96809943	-	-
LS 300-200-489	Siemens	4	160	315L	63.5	80	D250	99390310	96789274	96809943	-	-
LS 300-200-489	Siemens	4	200	315L	63.5	80	D250	99390310	96789274	96809943	-	-
LS 300-200-489	Siemens	4	250	315L	63.5	85	D250	99390311	96789274	96809943	-	-
LS 300-200-489	Siemens	4	315	315L	63.5	85	GRID 90	-	-	-	99392578	99392618
LS 300-200-489	Siemens	4	355	355M	63.5	95	GRID 90	-	-	-	99392579	99392618
LS 300-200-489	MMG-G	4	110	315S	63.5	80	D250	99390310	96789274	96809943	-	-
LS 300-200-489	MMG-G	4	132	315M	63.5	80	D250	99390310	96789274	96809943	-	-
LS 300-200-489	MMG-G	4	160	315L	63.5	80	D250	99390310	96789274	96809943	-	-
LS 300-200-489	MMG-G	4	200	315L	63.5	80	D250	99390310	96789274	96809943	-	-
LS 300-200-489	MMG-G	4	250	315M	63.5	100	D250	99596708	96789274	96809943	-	-
LS 300-200-489	MMG-G	4	315	355L	63.5	100	GRID 110	-	-	-	99596709	99392619
LS 300-200-489	MMG-G	4	355	355C	63.5	100	GRID 110	-	-	-	99596709	99392619
LS 300-200-489	Siemens	6	110	315L	63.5	80	D250	99390310	96789274	96809943	-	-
LS 300-200-489	Siemens	6	37	250M	63.5	65	D224	99390319	96789269	96809942	-	-
LS 300-200-489	Siemens	6	45	280S	63.5	75	D250	99390320	96789274	96809943	-	-
LS 300-200-489	Siemens	6	55	280M	63.5	75	D250	99390320	96789274	96809943	-	-
LS 300-200-489	Siemens	6	75	315S	63.5	80	D250	99390310	96789274	96809943	-	-
LS 300-200-489	Siemens	6	90	315M	63.5	80	D250	99390310	96789274	96809943	-	-
LS 300-200-489	MMG-G	6	110	315L	63.5	80	D250	99390310	96789274	96809943	-	-
LS 300-200-489	MMG-G	6	132	315L	63.5	80	D250	99390310	96789274	96809943	-	-
LS 300-200-489	MMG-G	6	160	355M	63.5	100	D250	99596708	96789274	96809943	-	-
LS 300-200-489	MMG-G	6	200	355M	63.5	100	GRID 110	-	-	-	99596709	99392619
LS 300-200-489	MMG-G	6	37	250M	63.5	65	D224	99390319	96789269	96809942	-	-
LS 300-200-489	MMG-G	6	45	280S	63.5	75	D250	99390320	96789274	96809943	-	-
LS 300-200-489	MMG-G	6	55	280M	63.5	75	D250	99390320	96789274	96809943	-	-
LS 300-200-489	MMG-G	6	75	315S	63.5	80	D250	99390310	96789274	96809943	-	-
LS 300-200-489	MMG-G	6	90	315M	63.5	80	D250	99390310	96789274	96809943	-	-

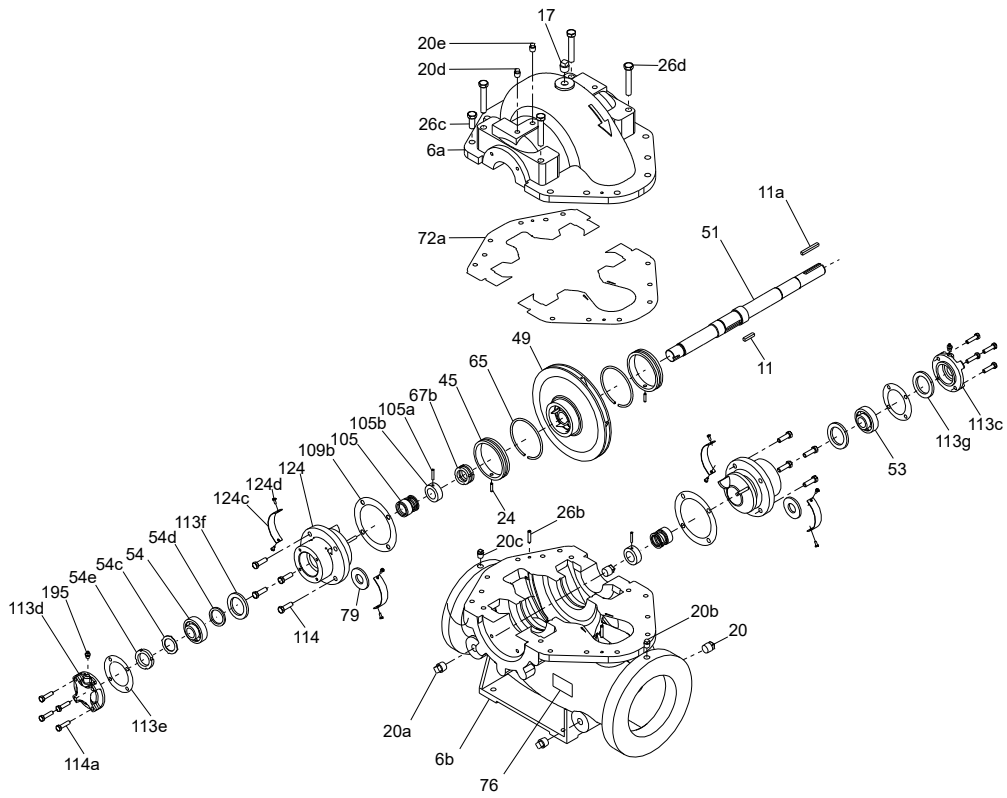
Pump type	Motor brand	Pole	Power [kW]	Frame size	Shaft diameter [mm]		Coupling type	Grundfos standard coupling, pin bush			Grid coupling	
					Pump	Motor		Kit No	Rubber	Bolts	Coupling complete	Assemble set
LS 300-200-489	MMG-G	6	185	355M	63.5	100	GRID 110	-	-	-	99596709	99392619
LS 300-250-305	Siemens	4	30	200L	44.45	55	D200	99390299	96789269	96809942	-	-
LS 300-250-305	Siemens	4	37	225S	44.45	60	D224	99390300	96789269	96809942	-	-
LS 300-250-305	Siemens	4	45	225M	44.45	60	D224	99390300	96789269	96809942	-	-
LS 300-250-305	Siemens	4	55	250M	44.45	65	D224	99390301	96789269	96809942	-	-
LS 300-250-305	Siemens	4	75	280S	44.45	75	D250	99390302	96789274	96809943	-	-
LS 300-250-305	Siemens	4	90	280M	44.45	75	D250	99390302	96789274	96809943	-	-
LS 300-250-305	MMG-G	4	110	315S	44.45	80	D250	99390303	96789274	96809943	-	-
LS 300-250-305	MMG-G	4	132	315M	44.45	80	D250	99390303	96789274	96809943	-	-
LS 300-250-305	MMG-G	4	160	315L	44.45	80	D250	99390303	96789274	96809943	-	-
LS 300-250-305	MMG-G	4	30	200L	44.45	55	D200	99390299	96789269	96809942	-	-
LS 300-250-305	MMG-G	4	37	225S	44.45	60	D224	99390300	96789269	96809942	-	-
LS 300-250-305	MMG-G	4	45	225M	44.45	60	D224	99390300	96789269	96809942	-	-
LS 300-250-305	MMG-G	4	55	250M	44.45	65	D224	99390301	96789269	96809942	-	-
LS 300-250-305	MMG-G	4	75	280S	44.45	75	D250	99390302	96789274	96809943	-	-
LS 300-250-305	MMG-G	4	90	280M	44.45	75	D250	99390302	96789274	96809943	-	-
LS 300-250-305	Siemens	6	11	160L	44.45	42	D180	99390309	96789247	96809941	-	-
LS 300-250-305	Siemens	6	15	180L	44.45	48	D200	99390298	96789269	96809942	-	-
LS 300-250-305	Siemens	6	18.5	200L	44.45	55	D200	99390299	96789269	96809942	-	-
LS 300-250-305	Siemens	6	22	200L	44.45	55	D200	99390299	96789269	96809942	-	-
LS 300-250-305	Siemens	6	30	225M	44.45	60	D224	99390300	96789269	96809942	-	-
LS 300-250-305	MMG-G	6	11	160L	44.45	42	D180	99390309	96789247	96809941	-	-
LS 300-250-305	MMG-G	6	15	180L	44.45	48	D200	99390298	96789269	96809942	-	-
LS 300-250-305	MMG-G	6	18.5	200L	44.45	55	D200	99390299	96789269	96809942	-	-
LS 300-250-305	MMG-G	6	22	200L	44.45	55	D200	99390299	96789269	96809942	-	-
LS 300-250-305	MMG-G	6	30	225M	44.45	60	D224	99390300	96789269	96809942	-	-
LS 300-250-305	MMG-G	6	37	250M	44.45	65	D224	99390301	96789269	96809942	-	-
LS 300-250-305	MMG-G	6	45	280S	44.45	75	D250	99390302	96789274	96809943	-	-
LS 300-250-381	Siemens	4	110	315S	57.15	80	D250	99390314	96789274	96809943	-	-
LS 300-250-381	Siemens	4	132	315M	57.15	80	D250	99390314	96789274	96809943	-	-
LS 300-250-381	Siemens	4	160	315L	57.15	80	D250	99390314	96789274	96809943	-	-
LS 300-250-381	Siemens	4	200	315L	57.15	80	D250	99390314	96789274	96809943	-	-
LS 300-250-381	Siemens	4	55	250M	57.15	65	D224	99390312	96789269	96809942	-	-
LS 300-250-381	Siemens	4	75	280S	57.15	75	D250	99390313	96789274	96809943	-	-
LS 300-250-381	Siemens	4	90	280M	57.15	75	D250	99390313	96789274	96809943	-	-
LS 300-250-381	MMG-G	4	110	315S	57.15	80	D250	99390314	96789274	96809943	-	-
LS 300-250-381	MMG-G	4	132	315M	57.15	80	D250	99390314	96789274	96809943	-	-
LS 300-250-381	MMG-G	4	160	315L	57.15	80	D250	99390314	96789274	96809943	-	-
LS 300-250-381	MMG-G	4	200	315L	57.15	80	D250	99390314	96789274	96809943	-	-
LS 300-250-381	MMG-G	4	250	315M	57.15	100	D250	99596710	96789274	96809943	-	-
LS 300-250-381	MMG-G	4	315	355L	57.15	100	GRID 110	-	-	-	99596711	99392619
LS 300-250-381	MMG-G	4	55	250M	57.15	65	D224	99390312	96789269	96809942	-	-
LS 300-250-381	MMG-G	4	75	280S	57.15	75	D250	99390313	96789274	96809943	-	-
LS 300-250-381	MMG-G	4	90	280M	57.15	75	D250	99390313	96789274	96809943	-	-
LS 300-250-381	Siemens	6	18.5	200L	57.15	55	D200	99390321	96789269	96809942	-	-
LS 300-250-381	Siemens	6	22	200L	57.15	55	D200	99390321	96789269	96809942	-	-
LS 300-250-381	Siemens	6	30	225M	57.15	60	D224	99390322	96789269	96809942	-	-
LS 300-250-381	Siemens	6	37	250M	57.15	65	D224	99390312	96789269	96809942	-	-
LS 300-250-381	Siemens	6	45	280S	57.15	75	D250	99390313	96789274	96809943	-	-
LS 300-250-381	Siemens	6	55	280M	57.15	75	D250	99390313	96789274	96809943	-	-
LS 300-250-381	MMG-G	6	18.5	200L	57.15	55	D200	99390321	96789269	96809942	-	-
LS 300-250-381	MMG-G	6	22	200L	57.15	55	D200	99390321	96789269	96809942	-	-

Pump type	Motor brand	Pole	Power [kW]	Frame size	Shaft diameter [mm]		Coupling type	Grundfos standard coupling, pin bush			Grid coupling	
					Pump	Motor		Kit No	Rubber	Bolts	Coupling complete	Assemble set
LS 300-250-381	MMG-G	6	30	225M	57.15	60	D224	99390322	96789269	96809942	-	-
LS 300-250-381	MMG-G	6	37	250M	57.15	65	D224	99390312	96789269	96809942	-	-
LS 300-250-381	MMG-G	6	45	280S	57.15	75	D250	99390313	96789274	96809943	-	-
LS 300-250-381	MMG-G	6	55	280M	57.15	75	D250	99390313	96789274	96809943	-	-
LS 300-250-381	MMG-G	6	75	315S	57.15	80	D250	99390314	96789274	96809943	-	-
LS 300-250-381	MMG-G	6	90	315M	57.15	80	D250	99390314	96789274	96809943	-	-
LS 300-250-381	MMG-G	6	110	315L	57.15	80	D250	99390314	96789274	96809943	-	-
LS 350-250-498	Siemens	4	160	315L	79.38	80	D250	99390315	96789274	96809943	-	-
LS 350-250-498	Siemens	4	200	315L	79.38	80	D250	99390315	96789274	96809943	-	-
LS 350-250-498	Siemens	4	250	315L	79.38	85	D250	99390316	96789274	96809943	-	-
LS 350-250-498	Siemens	4	315	315L	79.38	85	GRID 90	-	-	-	99392591	99392618
LS 350-250-498	Siemens	4	355	355M	79.38	95	GRID 90	-	-	-	99392584	99392618
LS 350-250-498	Siemens	4	400	355M	79.38	95	GRID 90	-	-	-	99392584	99392618
LS 350-250-498	Siemens	4	500	355M	79.38	95	GRID 90	-	-	-	99392584	99392618
LS 350-250-498	MMG-G	4	160	315L	79.38	80	D250	99390315	96789274	96809943	-	-
LS 350-250-498	MMG-G	4	200	315L	79.38	80	D250	99390315	96789274	96809943	-	-
LS 350-250-498	MMG-G	4	250	315M	79.38	100	D250	99596712	96789274	96809943	-	-
LS 350-250-498	MMG-G	4	315	355L	79.38	100	GRID 110	-	-	-	99596713	99392619
LS 350-250-498	MMG-G	4	355	355C	79.38	100	GRID 110	-	-	-	99596713	99392619
LS 350-250-498	MMG-G	4	400	315DB	79.38	95	GRID 90	-	-	-	99392584	99392618
LS 350-250-498	MMG-G	4	450	355CB	79.38	95	GRID 90	-	-	-	99392584	99392618
LS 350-250-498	MMG-G	4	500	355CB	79.38	95	GRID 90	-	-	-	99392584	99392618
LS 350-250-498	MMG-G	4	425	355CB	79.38	95	GRID 90	-	-	-	99392584	99392618
LS 350-250-498	MMG-G	4	475	355CB	79.38	95	GRID 90	-	-	-	99392584	99392618
LS 350-250-498	Siemens	6	110	315L	79.38	80	D250	99390315	96789274	96809943	-	-
LS 350-250-498	Siemens	6	132	315L	79.38	80	D250	99390315	96789274	96809943	-	-
LS 350-250-498	Siemens	6	200	315L	79.38	85	GRID 90	-	-	-	99392591	99392618
LS 350-250-498	Siemens	6	45	280S	79.38	75	D250	99390323	96789274	96809943	-	-
LS 350-250-498	Siemens	6	55	280M	79.38	75	D250	99390323	96789274	96809943	-	-
LS 350-250-498	Siemens	6	75	315S	79.38	80	D250	99390315	96789274	96809943	-	-
LS 350-250-498	Siemens	6	90	315M	79.38	80	D250	99390315	96789274	96809943	-	-
LS 350-250-498	MMG-G	6	110	315L	79.38	80	D250	99390315	96789274	96809943	-	-
LS 350-250-498	MMG-G	6	132	315L	79.38	80	D250	99390315	96789274	96809943	-	-
LS 350-250-498	MMG-G	6	160	355M	79.38	100	D250	99596712	96789274	96809943	-	-
LS 350-250-498	MMG-G	6	200	355M	79.38	100	GRID 110	-	-	-	99596713	99392619
LS 350-250-498	MMG-G	6	220	355M	79.38	100	GRID 110	-	-	-	99596713	99392619
LS 350-250-498	MMG-G	6	250	355L	79.38	100	GRID 110	-	-	-	99596713	99392619
LS 350-250-498	MMG-G	6	45	280S	79.38	75	D250	99390323	96789274	96809943	-	-
LS 350-250-498	MMG-G	6	55	280M	79.38	75	D250	99390323	96789274	96809943	-	-
LS 350-250-498	MMG-G	6	75	315S	79.38	80	D250	99390315	96789274	96809943	-	-
LS 350-250-498	MMG-G	6	90	315M	79.38	80	D250	99390315	96789274	96809943	-	-
LS 350-250-498	MMG-G	6	185	355M	79.38	100	GRID 110	-	-	-	99596713	99392619
LS 350-250-630	Siemens	4	250	315L	79.38	85	D250	99390316	96789274	96809943	-	-
LS 350-250-630	Siemens	4	315	315L	79.38	85	GRID 90	-	-	-	99392591	99392618
LS 350-250-630	Siemens	4	355	355M	79.38	95	GRID 90	-	-	-	99392584	99392618
LS 350-250-630	Siemens	4	400	355M	79.38	95	GRID 90	-	-	-	99392584	99392618
LS 350-250-630	Siemens	4	500	355M	79.38	95	GRID 90	-	-	-	99392584	99392618
LS 350-250-630	Siemens	4	560	400	79.38	110	GRID 110	-	-	-	99392585	99392619
LS 350-250-630	Siemens	4	630	400	79.38	110	GRID 110	-	-	-	99392585	99392619
LS 350-250-630	MMG-G	4	250	315M	79.38	100	D250	99596712	96789274	96809943	-	-
LS 350-250-630	MMG-G	4	315	355L	79.38	100	GRID 110	-	-	-	99596713	99392619
LS 350-250-630	MMG-G	4	355	355C	79.38	100	GRID 110	-	-	-	99596713	99392619

Pump type	Motor brand	Pole	Power [kW]	Frame size	Shaft diameter [mm]		Coupling type	Grundfos standard coupling, pin bush			Grid coupling	
					Pump	Motor		Kit No	Rubber	Bolts	Coupling complete	Assemble set
LS 350-250-630	MMG-G	4	400	315DB	79.38	95	GRID 90	-	-	-	99392584	99392618
LS 350-250-630	MMG-G	4	450	355CB	79.38	95	GRID 90	-	-	-	99392584	99392618
LS 350-250-630	MMG-G	4	500	355CB	79.38	95	GRID 90	-	-	-	99392584	99392618
LS 350-250-630	MMG-G	4	560	400CB	79.38	110	GRID 110	-	-	-	99392585	99392619
LS 350-250-630	MMG-G	4	600	400CB	79.38	110	GRID 110	-	-	-	99392585	99392619
LS 350-250-630	MMG-G	4	530	355CB	79.38	95	GRID 90	-	-	-	99392584	99392618
LS 350-250-630	MMG-G	4	425	355CB	79.38	95	GRID 90	-	-	-	99392584	99392618
LS 350-250-630	MMG-G	4	475	355CB	79.38	95	GRID 90	-	-	-	99392584	99392618
LS 350-250-630	Siemens	6	110	315L	79.38	80	D250	99390315	96789274	96809943	-	-
LS 350-250-630	Siemens	6	132	315L	79.38	80	D250	99390315	96789274	96809943	-	-
LS 350-250-630	Siemens	6	160	315L	79.38	80	D250	99390315	96789274	96809943	-	-
LS 350-250-630	Siemens	6	200	315L	79.38	85	GRID 90	-	-	-	99392591	99392618
LS 350-250-630	Siemens	6	250	315L	79.38	85	GRID 90	-	-	-	99392591	99392618
LS 350-250-630	Siemens	6	315	355M	79.38	95	GRID 90	-	-	-	99392584	99392618
LS 350-250-630	Siemens	6	75	315S	79.38	80	D250	99390315	96789274	96809943	-	-
LS 350-250-630	Siemens	6	90	315M	79.38	80	D250	99390315	96789274	96809943	-	-
LS 350-250-630	MMG-G	6	110	315L	79.38	80	D250	99390315	96789274	96809943	-	-
LS 350-250-630	MMG-G	6	132	315L	79.38	80	D250	99390315	96789274	96809943	-	-
LS 350-250-630	MMG-G	6	160	355M	79.38	100	D250	99596712	96789274	96809943	-	-
LS 350-250-630	MMG-G	6	200	355M	79.38	100	GRID 110	-	-	-	99596713	99392619
LS 350-250-630	MMG-G	6	220	355M	79.38	100	GRID 110	-	-	-	99596713	99392619
LS 350-250-630	MMG-G	6	250	355L	79.38	100	GRID 110	-	-	-	99596713	99392619
LS 350-250-630	MMG-G	6	300	355C	79.38	100	GRID 110	-	-	-	99596713	99392619
LS 350-250-630	MMG-G	6	75	315S	79.38	80	D250	99390315	96789274	96809943	-	-
LS 350-250-630	MMG-G	6	90	315M	79.38	80	D250	99390315	96789274	96809943	-	-
LS 350-250-630	MMG-G	6	185	355M	79.38	100	GRID 110	-	-	-	99596713	99392619
LS 350-300-508	Siemens	6	110	315L	63.5	80	D250	99390310	96789274	96809943	-	-
LS 350-300-508	Siemens	6	132	315L	63.5	80	D250	99390310	96789274	96809943	-	-
LS 350-300-508	Siemens	6	160	315L	63.5	80	D250	99390310	96789274	96809943	-	-
LS 350-300-508	Siemens	6	200	315L	63.5	80	GRID 80	-	-	-	99392587	99392617
LS 350-300-508	Siemens	6	55	280M	63.5	75	D250	99390320	96789274	96809943	-	-
LS 350-300-508	Siemens	6	75	315S	63.5	80	D250	99390310	96789274	96809943	-	-
LS 350-300-508	Siemens	6	90	315M	63.5	80	D250	99390310	96789274	96809943	-	-
LS 350-300-508	MMG-G	6	110	315L	63.5	80	D250	99390310	96789274	96809943	-	-
LS 350-300-508	MMG-G	6	132	315L	63.5	80	D250	99390310	96789274	96809943	-	-
LS 350-300-508	MMG-G	6	160	355M	63.5	100	D250	99596708	96789274	96809943	-	-
LS 350-300-508	MMG-G	6	200	355M	63.5	100	GRID 110	-	-	-	99596709	99392619
LS 350-300-508	MMG-G	6	220	355M	63.5	100	GRID 110	-	-	-	99596709	99392619
LS 350-300-508	MMG-G	6	250	355L	63.5	100	GRID 110	-	-	-	99596709	99392619
LS 350-300-508	MMG-G	6	300	355C	63.5	100	GRID 110	-	-	-	99596709	99392619
LS 350-300-508	MMG-G	6	55	280M	63.5	75	D250	99390320	96789274	96809943	-	-
LS 350-300-508	MMG-G	6	75	315S	63.5	80	D250	99390310	96789274	96809943	-	-
LS 350-300-508	MMG-G	6	90	315M	63.5	80	D250	99390310	96789274	96809943	-	-
LS 350-300-508	MMG-G	6	185	355M	63.5	100	GRID 110	-	-	-	99596709	99392619
LS 450-350-397	Siemens	4	110	315S	63.5	80	D250	99390310	96789274	96809943	-	-
LS 450-350-397	Siemens	4	132	315M	63.5	80	D250	99390310	96789274	96809943	-	-
LS 450-350-397	Siemens	4	160	315L	63.5	80	D250	99390310	96789274	96809943	-	-
LS 450-350-397	Siemens	4	200	315L	63.5	80	D250	99390310	96789274	96809943	-	-
LS 450-350-397	Siemens	4	250	315L	63.5	85	D250	99390311	96789274	96809943	-	-
LS 450-350-397	MMG-G	4	110	315S	63.5	80	D250	99390310	96789274	96809943	-	-
LS 450-350-397	MMG-G	4	132	315M	63.5	80	D250	99390310	96789274	96809943	-	-
LS 450-350-397	MMG-G	4	160	315L	63.5	80	D250	99390310	96789274	96809943	-	-

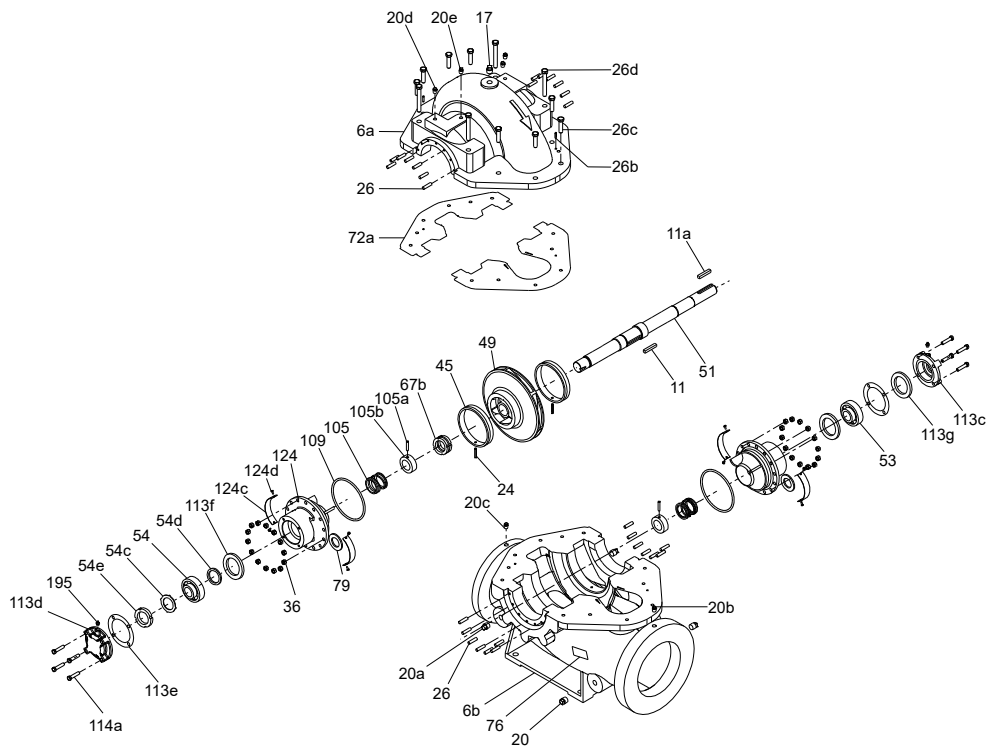
Pump type	Motor brand	Pole	Power [kW]	Frame size	Shaft diameter [mm]		Coupling type	Grundfos standard coupling, pin bush			Grid coupling	
					Pump	Motor		Kit No	Rubber	Bolts	Coupling complete	Assemble set
LS 450-350-397	MMG-G	4	200	315L	63.5	80	D250	99390310	96789274	96809943	-	-
LS 450-350-397	MMG-G	4	250	315M	63.5	100	D250	99596708	96789274	96809943	-	-
LS 450-350-397	MMG-G	4	315	355L	63.5	100	GRID 110	-	-	-	99596709	99392619
LS 450-350-397	MMG-G	4	355	355C	63.5	100	GRID 110	-	-	-	99596709	99392619
LS 450-350-397	Siemens	6	37	250M	63.5	65	D224	99390319	96789269	96809942	-	-
LS 450-350-397	Siemens	6	45	280S	63.5	75	D250	99390320	96789274	96809943	-	-
LS 450-350-397	Siemens	6	55	280M	63.5	75	D250	99390320	96789274	96809943	-	-
LS 450-350-397	Siemens	6	75	315S	63.5	80	D250	99390310	96789274	96809943	-	-
LS 450-350-397	MMG-G	6	110	315L	63.5	80	D250	99390310	96789274	96809943	-	-
LS 450-350-397	MMG-G	6	37	250M	63.5	65	D224	99390319	96789269	96809942	-	-
LS 450-350-397	MMG-G	6	45	280S	63.5	75	D250	99390320	96789274	96809943	-	-
LS 450-350-397	MMG-G	6	55	280M	63.5	75	D250	99390320	96789274	96809943	-	-
LS 450-350-397	MMG-G	6	75	315S	63.5	80	D250	99390310	96789274	96809943	-	-
LS 450-350-397	MMG-G	6	90	315M	63.5	80	D250	99390310	96789274	96809943	-	-

LS 65-50-241, LS 65-50-330, LS 100-80-241



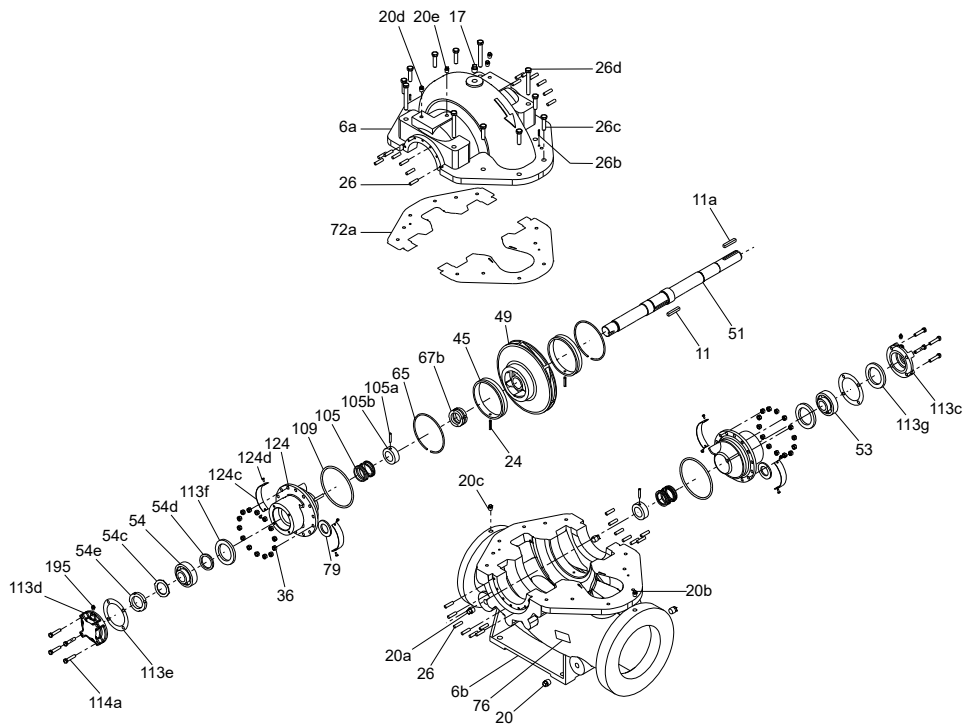
TM069403

LS 100-80-356



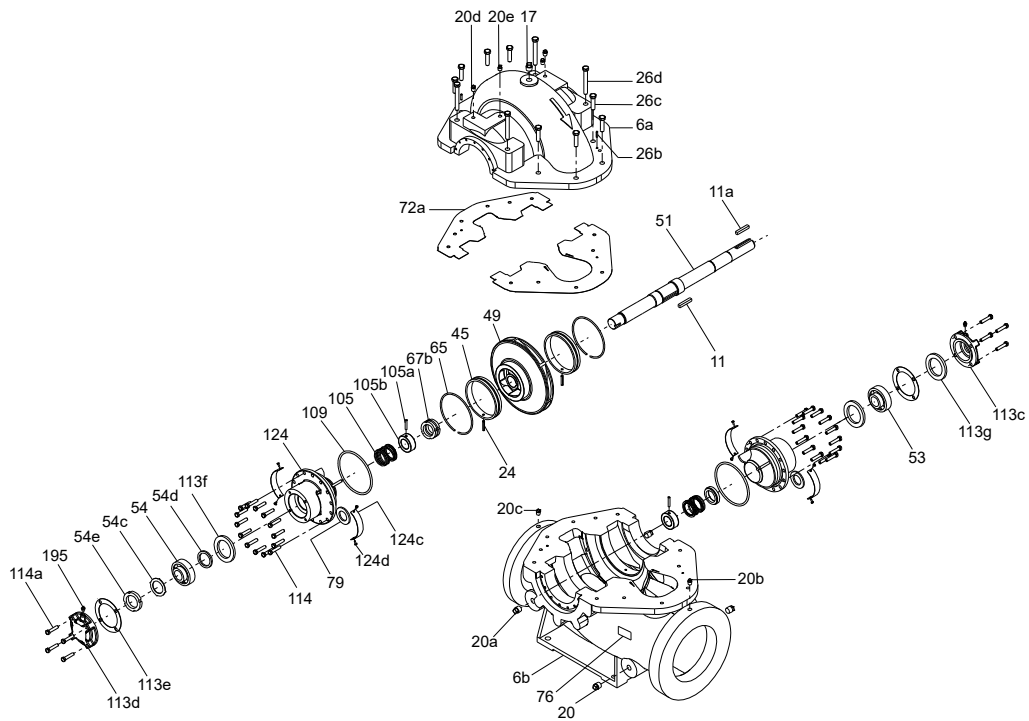
TM069405

LS 125-100-279, LS 125-100-305



TM069406

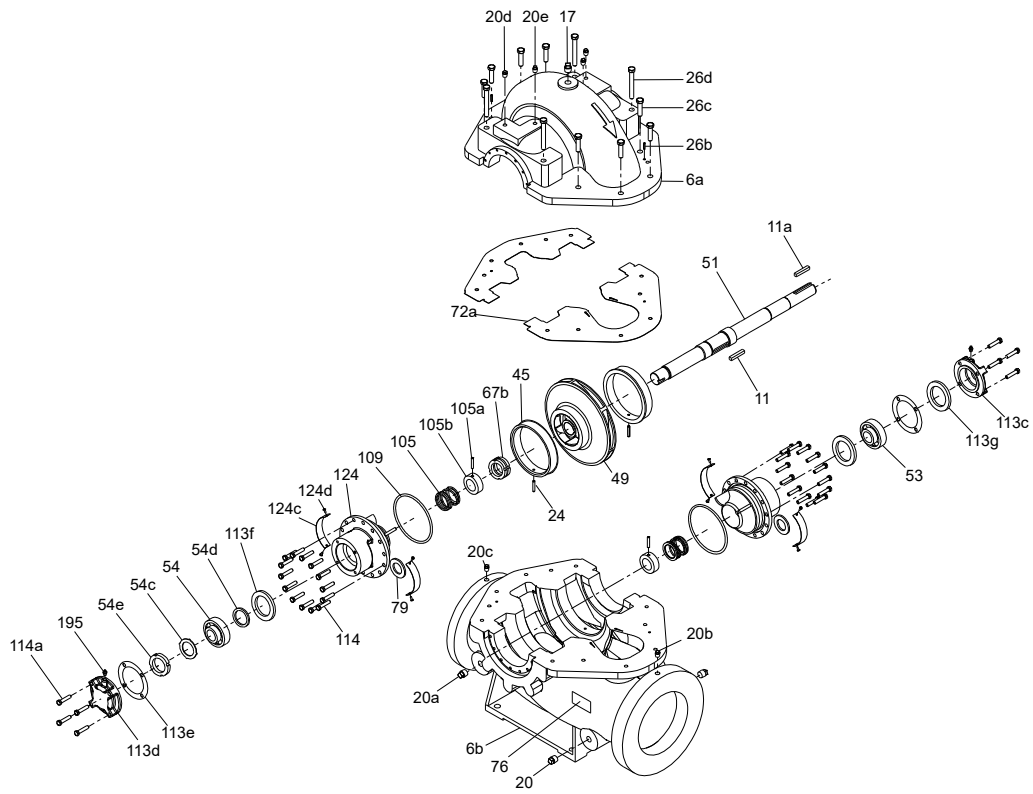
LS 125-100-381



TM069404

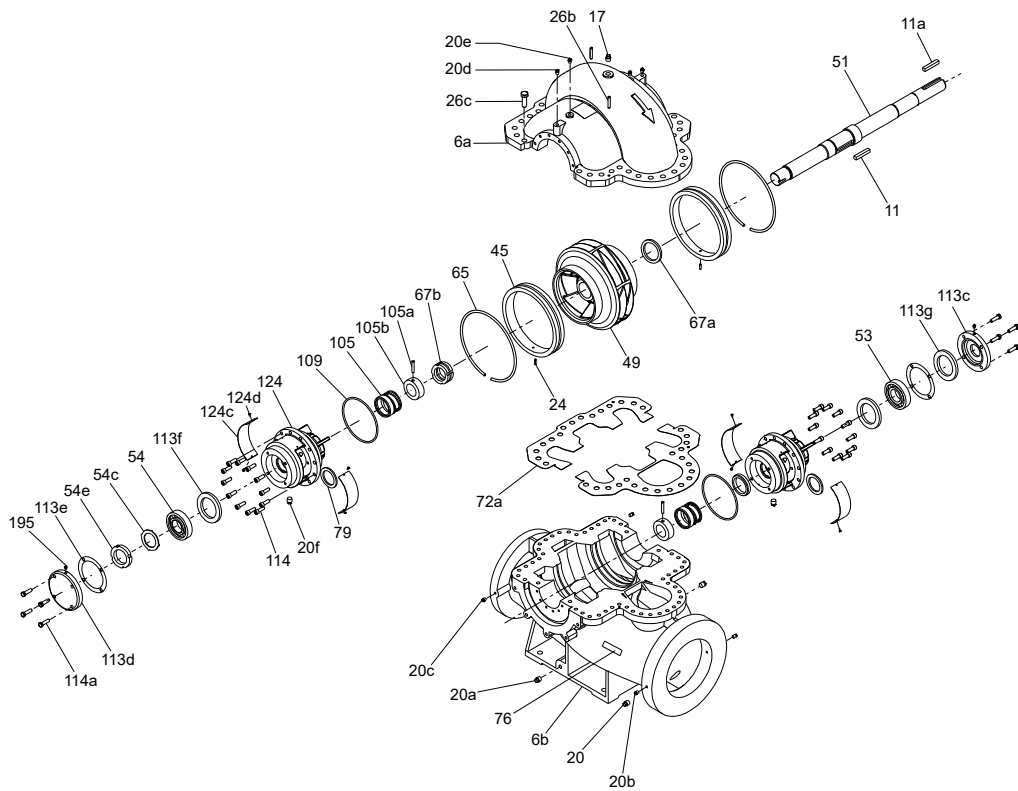
LS

LS 150-125-305, LS 150-125-381, LS 200-150-305



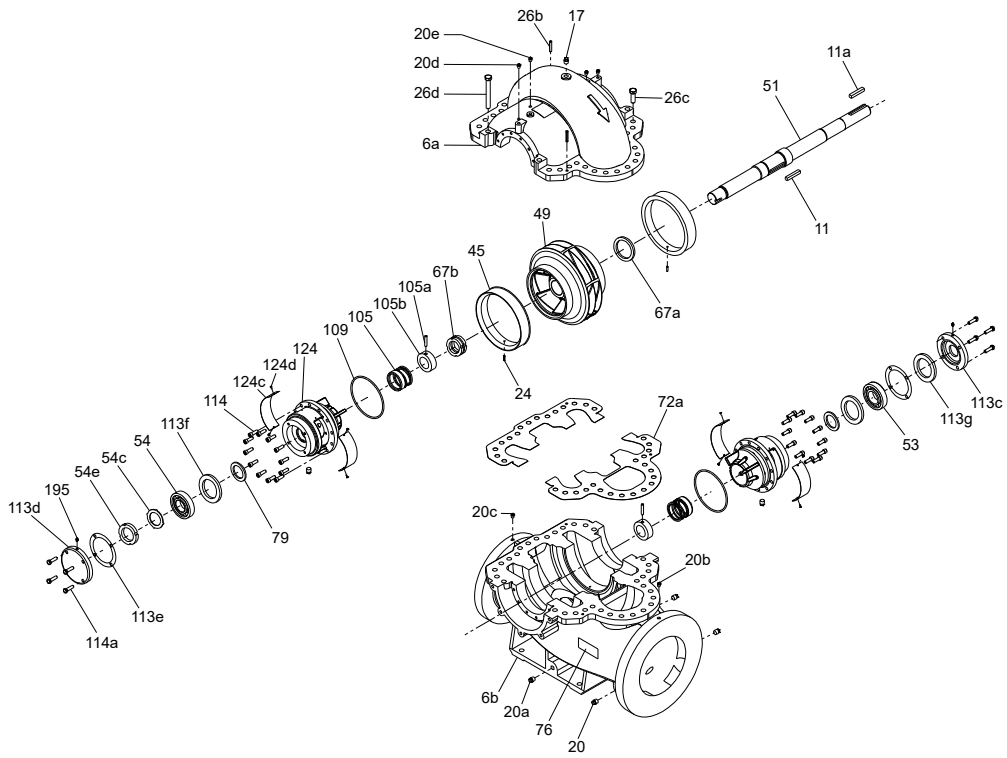
TM069407

LS 200-150-483



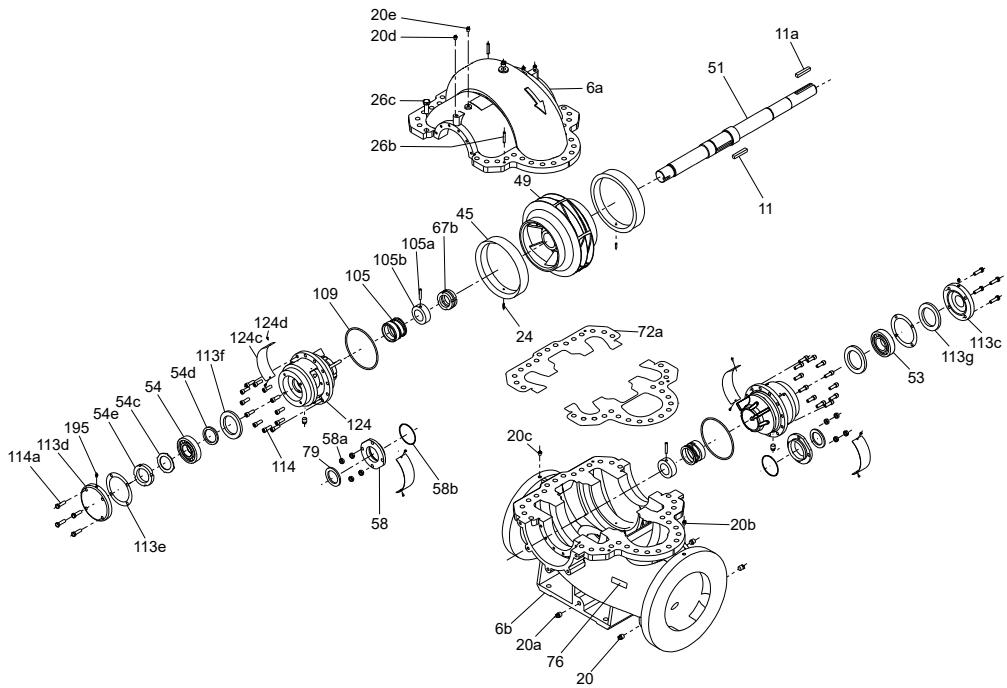
TM069408

LS 200-150-381, LS 250-200-305, LS 250-200-381, LS 300-250-305



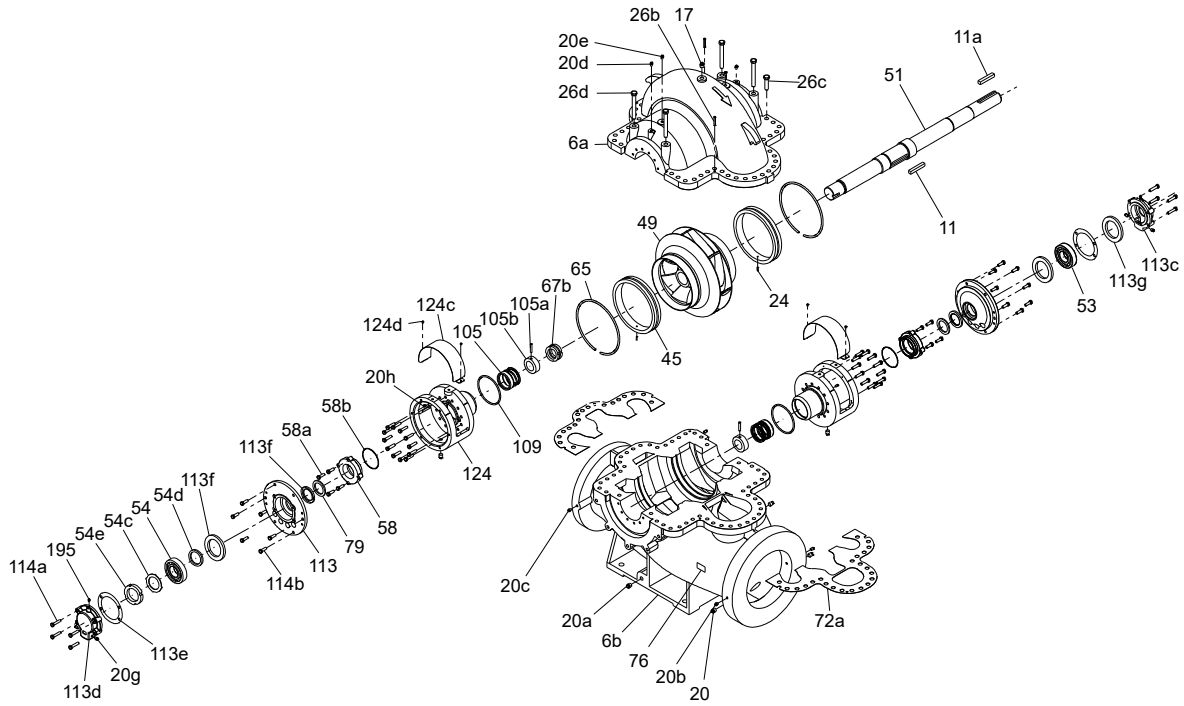
TM069409

LS 300-250-381



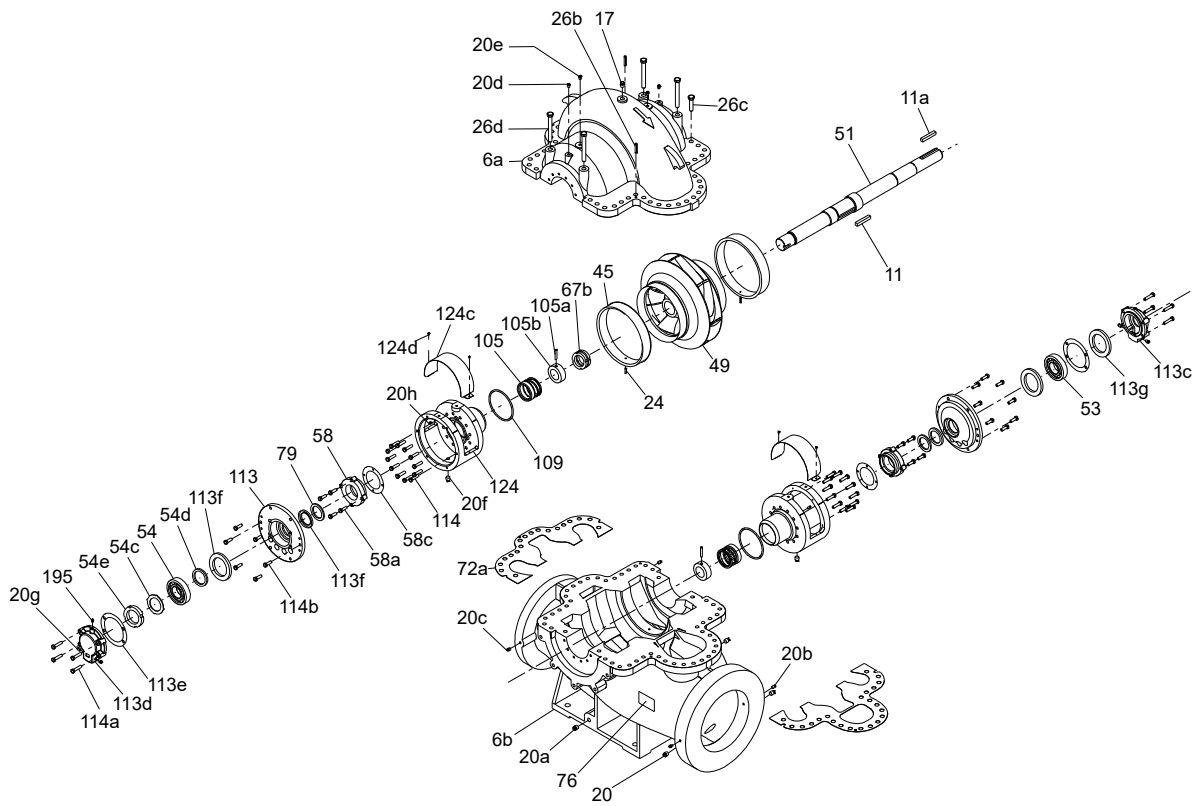
TM069410

LS 200-150-483 X6



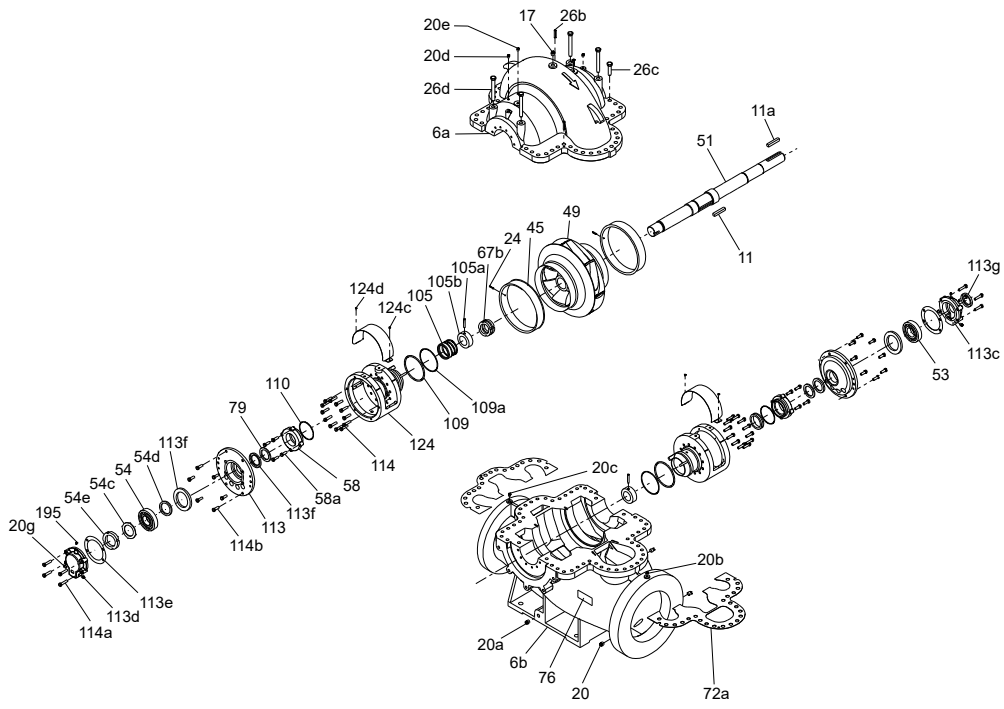
TM069411

LS 200-150-508



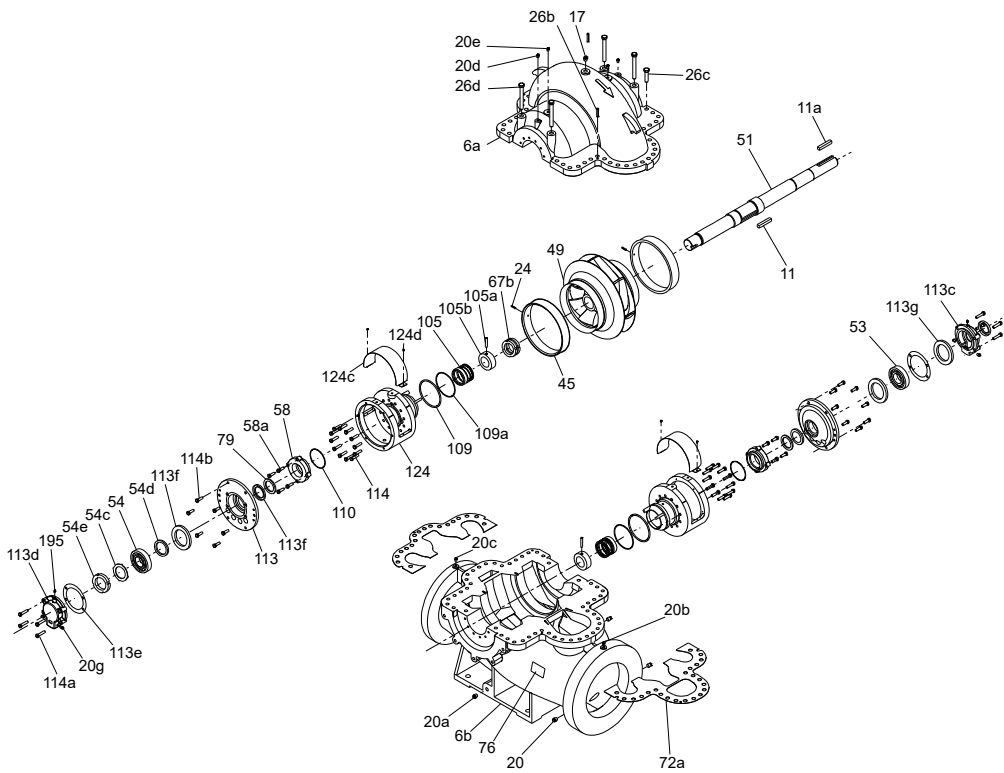
TM069412

LS 350-250-630



TM069415

LS 300-200-489, LS 350-300-508



TM069413

LS, double-stage

Impeller

The kit consists of impeller (pos. 49) and key (pos. 11 and 11a).

Description	Kit No	
	Impeller, first-stage	Impeller, second-stage
LS 125-100-370x2	97781580	97781601
LS 150-125-415x2	97781602	97781603
LS 200-150-475x2	97781604	97781605
LS 250-200-575x2	97781606	97781607

Bearing

Pos.	Description	LS 125-100-370x2	LS 150-125-415x2	LS 200-150-475x2	LS 250-200-575x2
		Kit No	99516129	99516131	99516132
53	Bearing	1	1	1	1
54	Bearing	1	1	1	1
113e	Gasket	2	2	2	2
79	Slinger	2	2	2	2
113f	Lip seal	2	2	2	2
113f	Lip seal	-	-	-	1
66	O-ring	-	-	-	2
110	O-ring	-	-	-	2
109	O-ring	2	2	2	2
54c	Tab washer	1	1	1	1
54e	Round nut	1	1	1	1
123	Washer	1	1	1	1

Gasket

Pos.	Description	LS 125-100-370x2	LS 150-125-415x2	LS 200-150-475x2	LS 250-200-575x2
		Kit No	99516129	99516131	99516132
72a	Gasket case	1	1	1	1
113e	Gasket	2	2	2	2
79	Slinger	2	2	2	2
66	O-ring	-	-	-	2
110	O-ring	-	-	-	2
109	O-ring	2	2	2	2

Shaft seal

Pos.	Description	LS 125-100-370x2	LS 150-125-415x2	LS 200-150-475x2	LS 250-200-575x2
		Kit No	99515934	99515935	99515936
105	Shaft seal	2	2	2	2
105	Shaft seal	-	-	-	2
113e	Gasket	2	2	2	2
79	Slinger	2	2	2	2
113f	Lip seal	2	2	2	2
113f	Lip seal	-	-	-	1
66	O-ring	-	-	-	2
110	O-ring	-	-	-	2
109	O-ring	2	2	2	2
54c	Tab washer	1	1	1	1
54e	Round nut	1	1	1	1
123	Washer	1	1	1	1

Wear ring

Pos.	Description	LS 125-100-370x2	LS 150-125-415x2	LS 200-150-475x2	LS 250-200-575x2
	Kit No	97771928	97771929	97771930	99516128
45	Wear ring	2	2	2	2
45	Wear ring	1	1	1	1
24	Pin spring	3	3	1	1

Shaft

The kit consists of shaft (pos. 51) and key (pos. 11 and 11a).

Description	Kit No	
	Clockwise	Counterclockwise
LS 125-100-370x2	99516148	99516152
LS 150-125-415x2	99516149	99516153
LS 200-150-475x2	99516150	99516154
LS 250-200-575x2	99516151	99516155

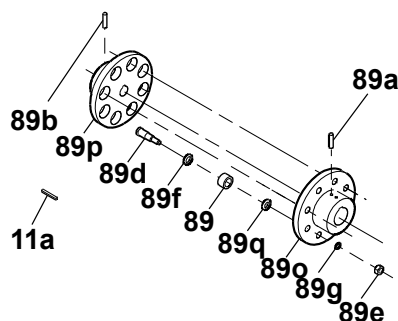
Hardware

Pos.	Description	LS 125-100-370x2	LS 150-125-415x2	LS 200-150-475x2	LS 250-200-575x2
	Kit No	99516156	99516157	99516158	99516159
26b	Roll pin	4	4	4	4
26c	Cap screw	23	32	35	42
26c	Hex head cap screw	5	-	-	-
26c	Cap screw	4	4	5	4
58a	Cap screw	-	-	-	8
114	He head cap screw	28	28	24	28
114a	Cap screw	8	8	8	8
114b	Cap screw	-	-	-	12
26b	Pin taper	3	-	-	-
	Nut	3	-	-	-
	Cap screw	-	-	1	-

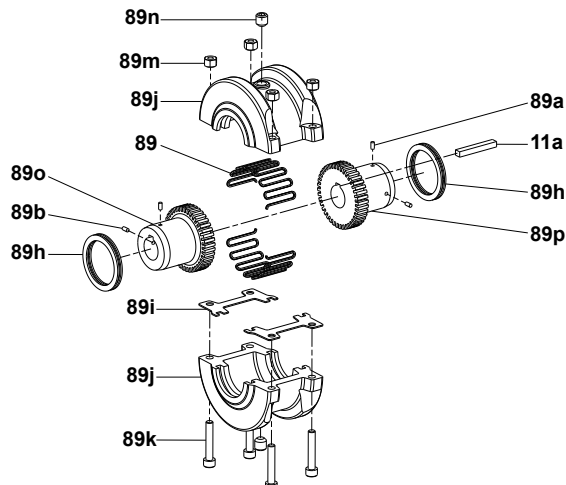
Sleeve

Pos.	Description	LS 125-100-370x2	LS 150-125-415x2	LS 200-150-475x2	LS 250-200-575x2
	Kit No	99516160	99516161	99516162	99516163
66	O-ring	2	2	2	2
116	Sleeve, inner	-	2	2	2
116	Sleeve, middle	1	1	1	1
116a	Sleeve	1	1	1	1
116b	Sleeve	1	1	1	1
116c	Sleeve	2	2	2	2
116e	Set screw	4	4	4	4
24	Pin spring	-	-	-	1

Coupling



TM044767

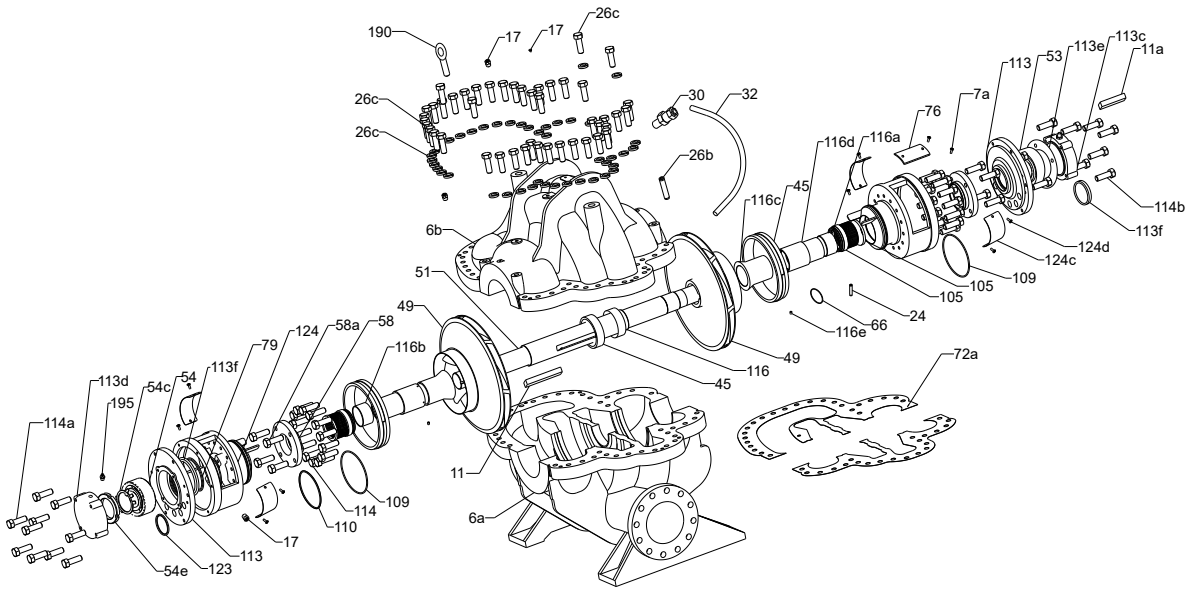


TM074153

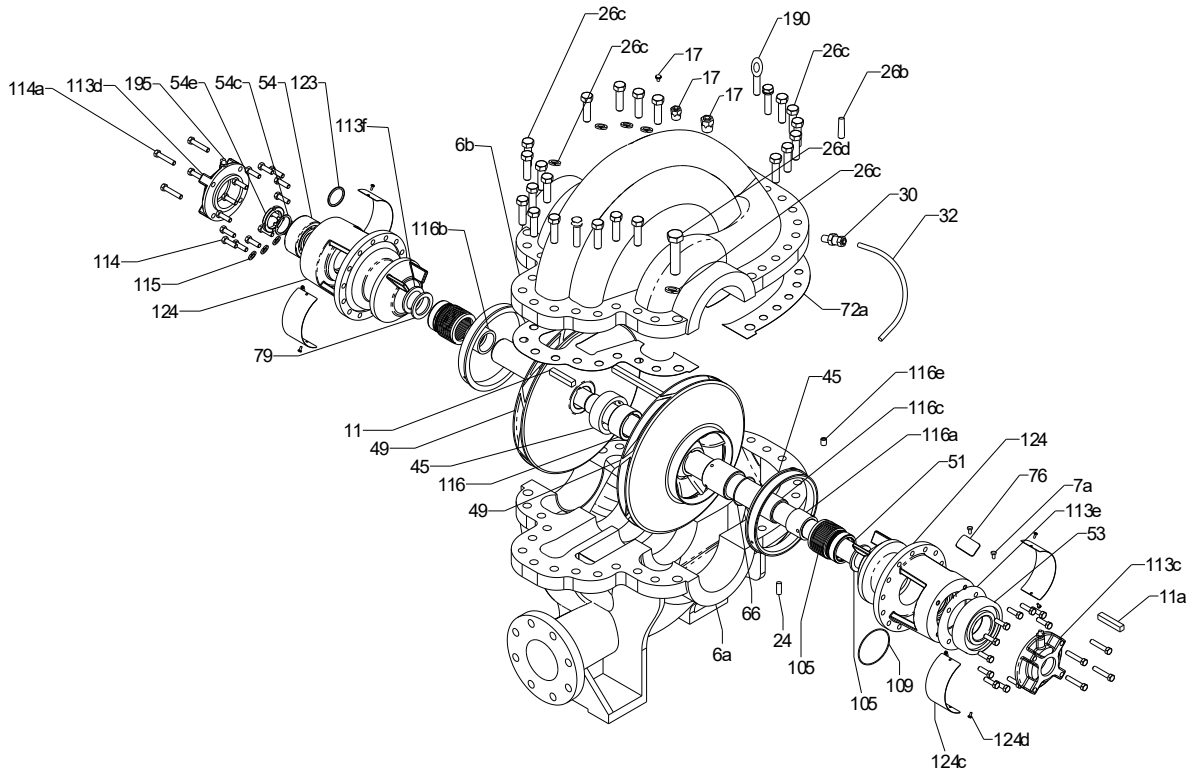
Grundfos standard coupling			Grid coupling		
Coupling complete	Rubber	Bolts	Coupling complete		
89o:1 x male part		89d:1 set of bolts	89o:1 x coupling hub pump match		
89p:1 x female part		89f:1 set of washers	89p:1 x coupling hub motor match		
89d:1 set of bolts/rubber parts	89: 1 set	89g:1 set of washers	11a:1 x key		
89a:1 x hexagon screw		89g:1 set of lock washers			
89b:1 x hexagon screw		89e:1 set of nuts			
11a:1 x key		89:1 set of rubber parts			

Pump type	Motor brand	Pole	Power [kW]	Frame size	Shaft diameter [mm]		Coupling type	Grundfos standard coupling, pin bush			Grid coupling	
					Pump	Motor		Kit No	Rubber	Bolts	Coupling complete	Assemble set
LS 125-100-370x2	MMG-G	4	110	315S	44.45	80	GRID 80	-	-	-	99392569	99392617
LS 125-100-370x2	MMG-G	4	132	315M	44.45	80	GRID 90	-	-	-	99596718	99392618
LS 125-100-370x2	MMG-G	4	160	315L	44.45	80	GRID 90	-	-	-	99596718	99392618
LS 125-100-370x2	MMG-G	4	37	225S	44.45	60	GRID 70	-	-	-	99392567	99392616
LS 125-100-370x2	MMG-G	4	45	225M	44.45	60	GRID 70	-	-	-	99392567	99392616
LS 125-100-370x2	MMG-G	4	55	250M	44.45	65	GRID 70	-	-	-	99392602	99392616
LS 125-100-370x2	MMG-G	4	75	280S	44.45	75	GRID 80	-	-	-	99392603	99392617
LS 125-100-370x2	MMG-G	4	90	280M	44.45	75	GRID 80	-	-	-	99392603	99392617
LS 150-125-415x2	MMG-G	4	55	250M	44.45	65	GRID 70	-	-	-	99392602	99392616
LS 150-125-415x2	MMG-G	4	75	280S	44.45	75	GRID 80	-	-	-	99392603	99392617
LS 150-125-415x2	MMG-G	4	110	315S	44.45	80	GRID 80	-	-	-	99392569	99392617
LS 150-125-415x2	MMG-G	4	132	315M	44.45	80	GRID 90	-	-	-	99596718	99392618
LS 150-125-415x2	MMG-G	4	160	315L	44.45	80	GRID 90	-	-	-	99596718	99392618
LS 150-125-415x2	MMG-G	4	200	315L	44.45	80	GRID 90	-	-	-	99596718	99392618
LS 150-125-415x2	MMG-G	4	250	315M	44.45	100	GRID 110	-	-	-	99596719	99392619
LS 150-125-415x2	MMG-G	4	90	280M	44.45	75	GRID 80	-	-	-	99392603	99392617
LS 200-150-475x2	MMG-G	4	132	315M	57.15	80	GRID 90	-	-	-	99596722	99392618
LS 200-150-475x2	MMG-G	4	160	315L	57.15	80	GRID 90	-	-	-	99596722	99392618
LS 200-150-475x2	MMG-G	4	200	315L	57.15	80	GRID 90	-	-	-	99596722	99392618
LS 200-150-475x2	MMG-G	4	250	315M	57.15	100	GRID 110	-	-	-	99596711	99392619
LS 200-150-475x2	MMG-G	4	315	355L	57.15	100	GRID 110	-	-	-	99596711	99392619
LS 200-150-475x2	MMG-G	4	355	355C	57.15	100	GRID 110	-	-	-	99596711	99392619
LS 200-150-475x2	MMG-G	6	110	315L	57.15	80	GRID 90	-	-	-	99596720	99392618
LS 200-150-475x2	MMG-G	6	132	315L	57.15	80	GRID 90	-	-	-	99596720	99392618
LS 200-150-475x2	MMG-G	6	37	250M	57.15	65	GRID 70	-	-	-	99392606	99392616
LS 200-150-475x2	MMG-G	6	45	280S	57.15	75	GRID 80	-	-	-	99392607	99392617
LS 200-150-475x2	MMG-G	6	55	280M	57.15	75	GRID 80	-	-	-	99392607	99392617
LS 200-150-475x2	MMG-G	6	75	315S	57.15	80	GRID 80	-	-	-	99392581	99392617

Pump type	Motor brand	Pole	Power [kW]	Frame size	Shaft diameter [mm]		Coupling type	Grundfos standard coupling, pin bush			Grid coupling	
					Pump	Motor		Kit No	Rubber	Bolts	Coupling complete	Assemble set
LS 200-150-475x2	MMG-G	6	90	315M	57.15	80	GRID 90	-	-	-	99596720	99392618
LS 250-200-575x2	MMG-G	4	250	315M	79.38	100	GRID 110	-	-	-	99596724	99392619
LS 250-200-575x2	MMG-G	4	315	355L	79.38	100	GRID 110	-	-	-	99596724	99392619
LS 250-200-575x2	MMG-G	4	355	355C	79.38	100	GRID 110	-	-	-	99596724	99392619
LS 250-200-575x2	MMG-G	4	400	315DB	79.38	95	GRID 90	-	-	-	99596725	99392618
LS 250-200-575x2	MMG-G	4	450	355CB	79.38	95	GRID 90	-	-	-	99596725	99392618
LS 250-200-575x2	MMG-G	4	500	355CB	79.38	95	GRID 90	-	-	-	99596725	99392618
LS 250-200-575x2	MMG-G	4	560	400CB	79.38	110	GRID 110	-	-	-	99596726	99392619
LS 250-200-575x2	MMG-G	4	600	400CB	79.38	110	GRID 110	-	-	-	99596726	99392619
LS 250-200-575x2	MMG-G	4	425	355CB	79.38	95	GRID 90	-	-	-	99596725	99392618
LS 250-200-575x2	MMG-G	4	475	355CB	79.38	95	GRID 90	-	-	-	99596725	99392618
LS 250-200-575x2	MMG-G	4	530	355CB	79.38	95	GRID 90	-	-	-	99596725	99392618
LS 250-200-575x2	MMG-G	6	110	315L	79.38	80	GRID 90	-	-	-	99596723	99392618
LS 250-200-575x2	MMG-G	6	132	315L	79.38	80	GRID 90	-	-	-	99596723	99392618
LS 250-200-575x2	MMG-G	6	160	355M	79.38	100	GRID 110	-	-	-	99596724	99392619
LS 250-200-575x2	MMG-G	6	200	355M	79.38	100	GRID 110	-	-	-	99596724	99392619
LS 250-200-575x2	MMG-G	6	220	355M	79.38	100	GRID 110	-	-	-	99596724	99392619
LS 250-200-575x2	MMG-G	6	250	355L	79.38	100	GRID 110	-	-	-	99596724	99392619
LS 250-200-575x2	MMG-G	6	300	355C	79.38	100	GRID 110	-	-	-	99596724	99392619
LS 250-200-575x2	MMG-G	6	90	315M	79.38	80	GRID 90	-	-	-	99596723	99392618
LS 250-200-575x2	MMG-G	6	185	355M	79.38	100	GRID 110	-	-	-	99596724	99392619



TM073964



TM073965