

SQFlex

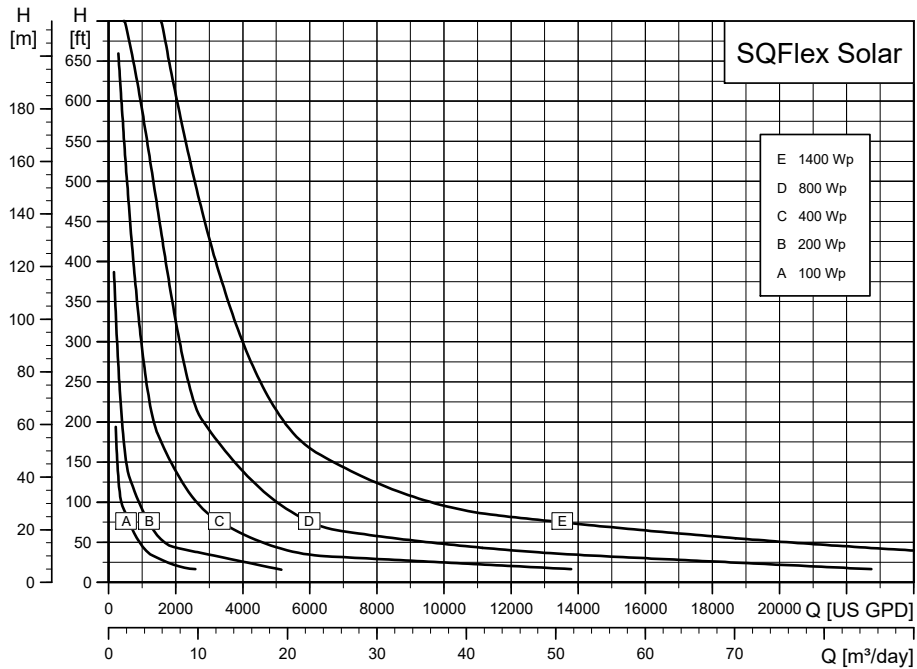
Renewable-energy-based water supply systems 60 Hz



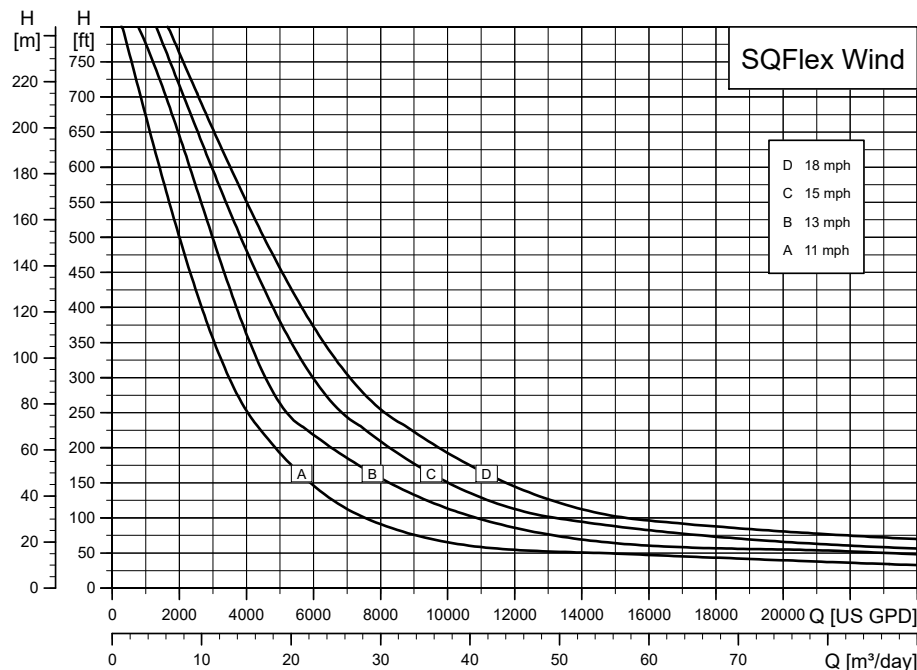
1. Product data	3	11 SQF-2	30
Performance range	3	16 SQF-10	30
Applications	4	15 SQF 50	31
SQFlex system	4	15 SQF-290	31
Type keys	6	25 SQF-3	32
Pumped liquids	6	25 SQF-7	32
Curve conditions	6	22 SQF-220	33
System overview	7	35 SQF-4	33
		30 SQF-160	34
		45 SQF-3	34
		77 SQF-3	35
2. Features and benefits	9	7. Technical data	36
Dry-running protection	9	Dimensions and weights	36
High efficiency	9	Electrical data	37
Over- and undervoltage protection	9	SQF pump	37
Overload protection	9	CU 200 SQFlex control unit	38
Overtemperature protection	9	CIU 903 SQFlex control unit	38
Maximum Power Point Tracking	10	IO 50 SQFlex switch box	39
Wide voltage range	10	IO 101 SQFlex switch box	39
Reliability	10	IO 101 B SQFlex switch box	39
Installation	10	Material specification, helical rotor pump	40
Service	10	Material specification, 3" SQ(F) hydraulic	41
		Material specification, 16 SQF-10, 25 SQF-3	42
		Material specification, 35 SQF-4, 45 SQF-3, 77 SQF-3	43
		Material specification, MSF 3, 500-3600 RPM	44
		Material specification, MSF 3, 3000-10700 RPM	45
3. Applications	11	8. Product numbers	46
SQFlex Solar	11	SQF submersible pump	46
SQFlex Solar with CU 200 and level switch	12	CU 200 SQFlex control unit	46
SQFlex Solar with backup generator	13	CIU SQFlex (GRM) control unit	46
SQFlex Solar with CU 200 and backup generator	14	IO 50 SQFlex switch box	46
SQFlex Solar with backup batteries	15	IO 101 SQFlex switch box	46
SQFlex Wind with CU 200 and level switch	16	IO 101 B SQFlex switch box	46
SQFlex Combi with CU 200 and level switch	17	9. Accessories	47
SQFlex system with generator as a power supply	18	Level switch	47
		Zinc anodes	47
		Grease	47
4. System components	19	10. Grundfos Product Center	48
SQF submersible pump	19		
CU 200 SQFlex control unit	20		
CIU 903 SQFlex control unit for remote monitoring	22		
IO 50 SQFlex switch box	23		
IO 101/IO 101B SQFlex switch box	23		
Charge controller	24		
Wind turbine	24		
Generator	24		
5. System sizing	25		
Sizing of an SQFlex system	25		
Voltage effect on pump efficiency	25		
Solar panel wiring	25		
6. Performance curves	27		
3 SQF-2	27		
3 SQF-3	27		
5 SQF-80	28		
5 SQF-200	28		
6 SQF-2	29		
6 SQF-3	29		

1. Product data

Performance range



TM022433



TM022434

Note: The curves must not be used as guarantee curves.

Related information

[Curve conditions](#)

Applications

Being designed for continuous as well as intermittent operation, the SQFlex system is suitable for water supply applications in remote locations, such as:

- villages, schools, hospitals, single-family houses
- farms (livestock watering, irrigation)
- game reserves(watering applications)
- conservation areas (pumping of surface water)
- floating pump installations for water pumping from ponds and lakes.

SQFlex system

The SQFlex system is a reliable water supply system based on renewable energy sources, such as solar and wind energy. The SQFlex system incorporates an SQF submersible pump.

Very flexible as to its energy supply and performance, the SQFlex system can be combined and adapted to any need according to the conditions of the installation site.

The system components are:

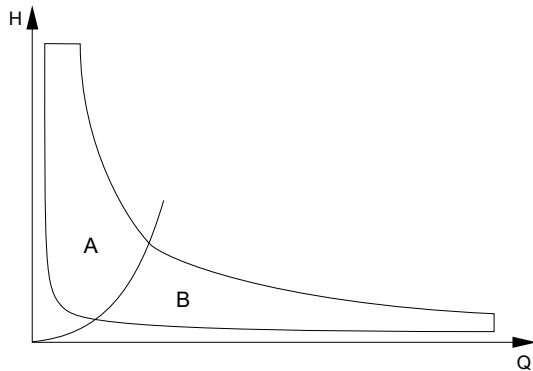
- SQF submersible pump
- CU 200 SQFlex control unit
- CIU 903 SQFlex control unit (option for remote monitoring)
- IO 50 SQFlex switch box
- IO 101/IO 101 B SQFlex switch box
- charge controller
- energy supply system:
 - solar panels
 - wind turbine
 - generator
 - batteries.

Pump

The SQF pump range comprises two pump technologies:

- helical rotor pump (3") for high heads and small flow rates
- centrifugal pump (3" and 4") for low heads and large flow rates.

The performance curves below illustrate the pump performance of the two pump models.



TM022425

Performance ranges for helical rotor and centrifugal pumps

Pos.	Description
H	Head
A	Helical rotor pump
B	Centrifugal pump
Q	/day

All pump types are available in stainless steel AISI 304.

Motor

The motor is developed specifically for the SQFlex system and designed according to the permanent-magnet principle with built-in electronic unit.

The SQFlex 3" motor range comprises different motor sizes, the MSF 3 with 4 different maximum power input (P1) ratings: 300 W, 900 W, 1400 W and 2500 W.

The motor speed range is 3000-10700 min⁻¹ or 500-3600 min⁻¹, depending on the motor size, power input and load. The motor is available in stainless steel AISI 304.

The motor has the following internal limitations:

- maximum power input (P1)
- maximum current of 8,4 A or 12 A
- maximum speed of 10700 min⁻¹ or 3600 min⁻¹.

The pump delivers its maximum performance when one of the above limitations is reached.

Supply voltage

In terms of power supply and range, the motor is flexible and it can be supplied with either DC or AC voltage:

- 30-300 VDC, PE (100-300 VDC for 2500 W motor)
- 1 x 90-240 VAC - 10 %/+ 6 %, 50/60 Hz, PE.

CU 200 SQFlex control unit

CU 200 is a combined status, control and communication unit designed for the SQFlex system. Moreover, CU 200 enables the connection of a level switch placed in a water reservoir or tank.

CIU 903 SQFlex control unit for remote monitoring

CIU 903 is a combined monitoring, control and communication unit designed to work directly with a SQFlex pump. When combined with a CIM 280 GRM module, it enables remote monitoring through Grundfos Go. Moreover, CIU 903 can be connected to a start/stop switch, a level switch or a pulsating water meter.

It also works with Grundfos GO.

IO 50 SQFlex switch box

The IO 50 is a switch box designed for switching the system power supply on and off.

IO 101/IO 101 B SQFlex switch box

The IO 101/IO 101 B is a switch box designed for switching the system power supply on and off.

The IO 101/IO 101 B is used in solar-powered SQFlex systems with a backup generator.

Charge controller

The charge controller is used when a battery backup system is installed with an SQFlex pumping system.

Solar modules

The Grundfos solar modules are developed specifically for the SQFlex system. The solar modules are equipped with plugs and sockets enabling easy connection in parallel.

The number of the required solar modules depends on the following:

- quantity of water
- head
- location of installation.

For further information on solar modules, contact Grundfos.

Generator

In case the primary power supply is temporarily insufficient, the SQFlex system can be powered by a diesel- or gasoline generator.

Batteries

The SQFlex system can be powered by batteries with a 30-300 VDC voltage supply of and a maximum current of 8.4 A. DC power supply operation is limited to the highest possible power depending on the voltage. For example, 48 VDC provides a limiting maximum power of 403 W.

Type keys

Helical rotor pumps

Example

Code	Explanation
6	Rated flow at 3000 rpm [gpm]
SQF	Type range
-2	Number of stages

Centrifugal pumps 4"

Example

Code	Explanation
25	Rated flow at 3000 rpm [gpm]
SQF	Type range
-3	Number of stages

Centrifugal pumps 3"

Example

Code	Explanation
10	Rated flow at 10700 rpm [gpm]
SQF	Type range
-160	Total dynamic head [ft] at rated flow

Pumped liquids

SQF pumps are applicable in thin, clean, non-aggressive and non-explosive liquids that do not contain solid or long-fibred particles.

pH value: 5-9.

Liquid temperature: 0-40 °C (32-104 °F).

The pump can run at free convection (~ 0 m/s, 0 ft/s) at maximum 40 °C (104 °F).

Sand content

Maximum sand content: 50 g/m³ (50 ppm).

A higher sand content considerably reduces the lifespan of the pump.

Salt content

The table below shows the resistance of stainless steel to Cl⁻. The values in the table are based on a pumped liquid with a pH value of 5 to 9.

Stainless steel DIN W.-Nr.		Cl ⁻ content [ppm]	Liquid temperature [°C (°F)]
DIN W.-Nr	AISI		
1.4301	304	0-300	< 40 (104)
		300-500	< 30 (86)

For additional protection, for instance if the Cl⁻ content exceeds 500 ppm, zinc anodes can be used. See section Zinc anodes.

Related information

[Zinc anodes](#)

Curve conditions

Performance range, SQFlex Solar

The SQFlex Solar performance range in is based on the following data:

- solar radiation on a tilted surface (tilt angle: 20°)
- $H_T = 6 \text{ kWh/m}^2$ (0.56 kWh/ft²) per day
- ambient temperature: 30 °C (85 °F)
- 20° northern latitude.

Performance range, SQFlex Wind

The SQFlex Wind performance range in is based on the following data:

- average wind speed (measured over a month)
- calculations according to Weibull's factor k=2
- continuous operation over 24 hours.

Specific performance charts

The specific performance charts are based on the following guidelines:

- All curves show mean values.
- The curves must not be used as guarantee curves.
- The typical deviation is: ± 15 %.
- The measurements are made at a water temperature of 20 °C (68 °F).
- The curves apply to a kinematic viscosity of 1 mm²/s (1 cSt). If the pump is used for liquids with a viscosity higher than water, it reduces the head and increases the power consumption.

Pressure loss

The QH curves are inclusive of inlet and valve losses at actual speed.


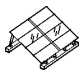


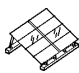


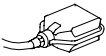

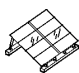



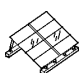
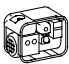


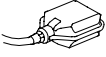

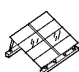









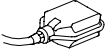




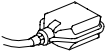
Related information

[Performance range](#)

System overview

SQFlex up to 1400 W (P1)

The SQFlex system can be used in various combinations.




















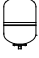

System	System components							
	Pump	Solar panels ¹⁾	Wind turbine	Generator/battery	Charge controller	Switch- or breaker box	Control unit	Optional extras
SQFlex Solar								
SQFlex Solar with CU 200 and level switch								
SQFlex Solar with backup generator								
SQFlex Solar with CU 200 and backup generator								
SQFlex Solar with backup batteries								 
SQFlex Wind with CU 200 and level switch								
SQFlex Combi with CU 200 and level switch								

1) For the number of the required solar panels, see the sizing tool at Grundfos Product Center.

2) Optional.

SQFlex up to 2500W (P1)

The SQFlex system can be used in various combinations.

System	System components					
	Pump	Solar panels ¹⁾	Generator/battery	Switch- or breaker box	Control unit	Optional extras
SQFlex Solar				 IO 50	 CIU 903	
SQFlex Solar with CIU 903 and level switch				 IO 50	 CIU 903	 Level switch
SQFlex Solar with backup generator				 IO 101 B	 CIU 903	 Level switch
SQFlex Solar with pressure control				 IO 50	 CIU 903	 Pressure tank  Pressure switch

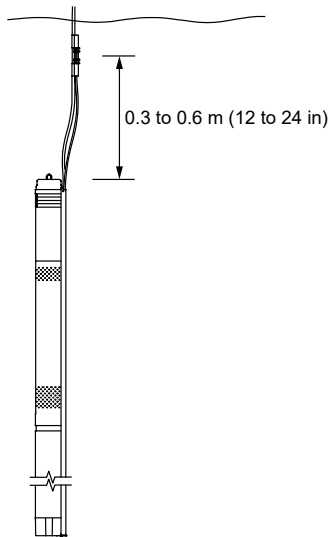
1) For the number of the required solar panels, see the sizing tool at Grundfos Product Center.

2. Features and benefits

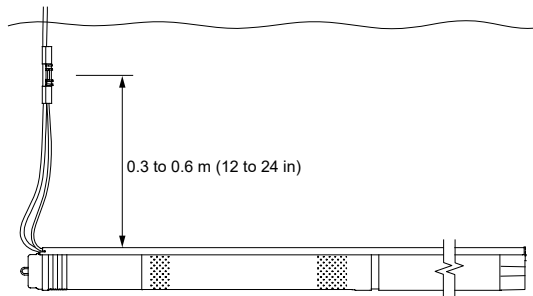
Dry-running protection

The SQF pump is protected against dry running to prevent damage to the pump. The dry-running protection is activated by a water level electrode placed on the motor cable 0.3 to 0.6 m (12 to 24 in) above the pump, depending on the pump type.

The water level electrode measures the contact resistance to the motor sleeve through the water. When the water level falls below the water level electrode, the pump stops. The pump automatically restarts five minutes after the water level is above the water level electrode.



Vertical installation



Horizontal installation

TM022436

TM078602

High efficiency

The MSF 3 motor is a permanent-magnet motor (PM motor) featuring a higher efficiency within the power range compared to a conventional asynchronous motor.

In addition, the segmented motor stator also contributes to high efficiency.

The MSF 3 motor is characterized by a high locked-rotor torque even at low power supply.

Over- and undervoltage protection

Over- and undervoltage may occur in case of unstable power supply or a defective installation.

The pump stops if the voltage falls outside the permissible voltage range. The motor automatically restarts when the voltage returns within the permissible voltage range. No extra protection relay is needed.

Note: The MSF 3 motor is protected against transients from the power supply according to EN/IEC 61000-4-5 (6 kV). In areas with high lightning intensity, we use external lightning protection.

Overload protection

In case the upper load limit is exceeded, the motor automatically compensates by reducing the speed. If the speed falls below the minimum speed, the motor stops automatically.

The motor remains stopped for 30 seconds, then the pump automatically restarts.

The overload protection prevents the burnout of the motor. No extra motor protection is required.

Overtemperature protection

A permanent-magnet motor gives off a small/negligible amount of heat to its surroundings. In combination with an efficient internal circulation system leading the heat away from the rotor, stator and bearings, optimal operating conditions are ensured for the motor.

As an extra protection, the electronic unit has a built-in temperature sensor. When the temperature rises above 85 °C (185 °F), the motor automatically stops. Once the temperature drops to 75 °C (165 °F), the motor automatically restarts.

Maximum Power Point Tracking

The built-in electronic unit gives the SQFlex system a number of advantages compared to conventional products. One of these advantages is the built-in microprocessor with Maximum Power Point Tracking (MPPT).

Due to the MPPT function, the pump duty point is continuously optimized according to the available input power. MPPT is only available for pumps connected to DC supply.

Wide voltage range

The wide voltage range enables the motor to operate at any voltage from 30-300 VDC (100-300 VDC for 2500 W) or 90-240 VAC. This ensures easy installation and sizing.

Reliability

The MSF 3 motor is developed to achieve high reliability through the following features:

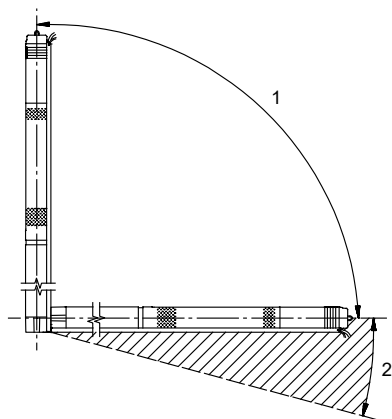
- carbon/ceramic bearings
- excellent starting capabilities
- various protection facilities.

Installation

Low weight ensures user-friendly handling.

- low weight ensuring user-friendly handling.
- installation in 3", 4" or larger boreholes.
- A motor starter/starter box is not needed.
- SQF is available with cable and socket.

Note: Horizontal installation requires the water level electrode to be placed minimum 0.3 to 0.6 m (12 to 24 in) above the pump to ensure the dry-running protection.



TM022246

Installation of SQF pumps

Pos.	Description
1	Allowed
2	Not allowed

Service

The modular pump and motor design facilitates installation and service. The cable and the end cover with socket are fitted to the pump with screws to enable replacement.

3. Applications

SQFlex Solar

The SQFlex Solar system is the simplest of the SQFlex range.

Benefits

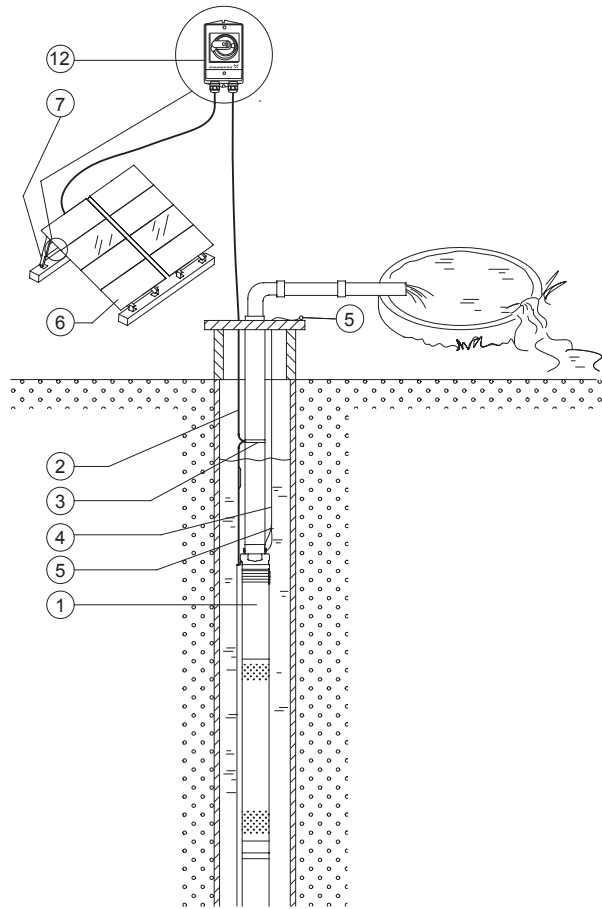
The protective circuit incorporated in the motor electronic unit stops the pump in case of dry running or similar situations.

By using the IO 50, the power supply to the pump can be switched off manually, for example in the following cases:

- There is no need for water supply.
- The system requires service.

Other benefits:

- easy installation
- maintenance confined to periodic cleaning of the solar panels
- few and simple components.



TM022304

SQFlex Solar

Pos.	Description
1	SQF pump
2	Submersible drop cable
3	Cable clips
4	Straining wire
5	Wire clamps
6	Solar panels
7	Support structure
12	IO 50 SQFlex switch box

Note: For the number of the required solar panels, see the sizing tool at Grundfos Product Center.

SQFlex Solar with CU 200 and level switch

The SQFlex Solar system allows solar energy to be stored as water in a reservoir.

SQFlex Solar systems with a water reservoir are used, for instance, in the following cases:

- There is a need for water supply at night.
- For short periods, the solar energy is insufficient to run the pump.
- A backup water source is needed.

Benefits

Combined with CU 200, the level switch has a pump cut-out function when the water reservoir is full.

CU 200 indicates the following:

- full water reservoir (level switch activated)
- pump operation
- input power.

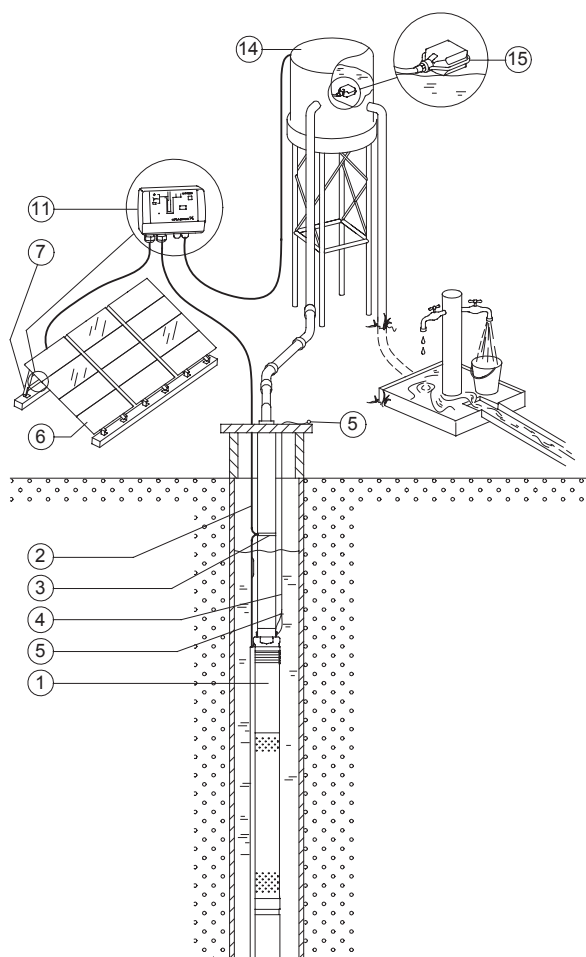
CU 200 indicates operational downtime in the following cases:

- dry running
- service (see CU 200 SQFlex control unit)
- insufficient energy supply.

Other benefits:

- easy installation
- maintenance confined to periodic cleaning of the solar panels
- few and simple components.

Note: CU 200 works with SQFlex up to 1400 W. CIU 903 works with any SQFlex up to 2500 W.



TM022305

SQFlex Solar with CU 200 and level switch

Pos.	Description
1	SQF pump
2	Submersible drop cable
3	Cable clips
4	Straining wire
5	Wire clamps
6	Solar panels
7	Support structure
11	CU 200 SQFlex control unit
14	Water reservoir
15	Level switch

Note: For the number of the required solar panels, see the sizing tool at Grundfos Product Center.

Related information

[CU 200 SQFlex control unit](#)

SQFlex Solar with backup generator

During periods of limited solar energy, the SQFlex Solar system provides reliable water supply.

The system is connected to an external backup generator via the IO 101.

The system switches automatically to operation via generator when the generator is started.

If the generator is stopped manually or runs out of fuel, the IO 101 automatically changes back to operation via solar energy.

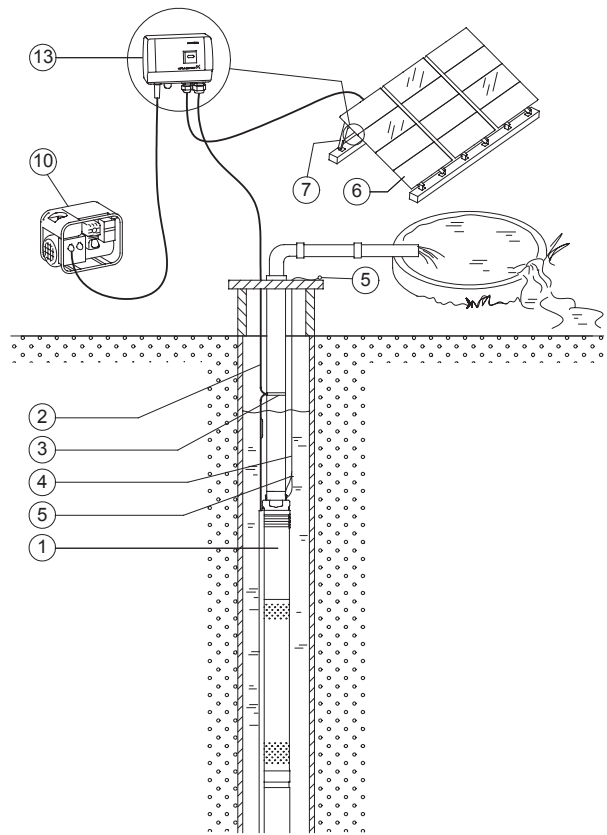
Benefits

The system ensures water supply during the night or during periods of insufficient solar energy.

Other benefits:

- easy installation
- maintenance confined to periodic cleaning of the solar panels
- few and simple components
- flexibility.

Note: IO 101 works with SQFlex up to 1400 W. IO 101B works with any SQFlex up to 2500 W.



TM022309

SQFlex Solar with backup generator

Pos.	Description
1	SQF pump
2	Submersible drop cable
3	Cable clips
4	Straining wire
5	Wire clamps
6	Solar panels
7	Support structure
10	Diesel or gasoline generator
13	IO 101 SQFlex switch box

Note: For the number of the required solar panels, see the sizing tool at Grundfos Product Center.

SQFlex Solar with CU 200 and backup generator

During periods of limited solar energy, the SQFlex Solar system provides reliable water supply.

The water supply is ensured by a diesel or gasoline generator connected to the system through the IO 101.

The system switches automatically to operation via generator when the generator is started.

If the generator is stopped manually or runs out of fuel, the IO 101 automatically changes back to solar energy.

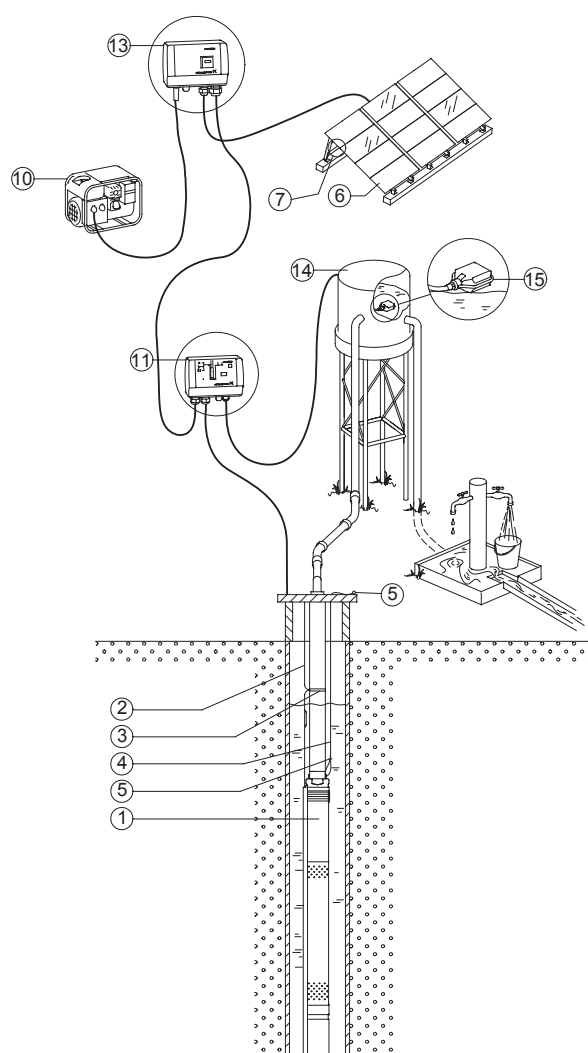
Benefits

The system ensures water supply during the night or during periods of insufficient solar energy.

Other benefits:

- easy installation
- maintenance confined to periodic cleaning of the solar panels
- few and simple components
- flexibility.

Note: CU 200 works with SQFlex up to 1400 W. CIU 903 works with any SQFlex up to 2500 W.



TM035497

SQFlex Solar with CU 200 and backup generator

Pos.	Description
1	SQF pump
2	Submersible drop cable
3	Cable clips
4	Straining wire
5	Wire clamps
6	Solar panels
7	Support structure
10	Diesel- or gasoline-driven generator
11	CU 200 SQFlex control unit
13	IO 101 SQFlex switch box
14	Water reservoir
15	Level switch

Note: For the number of the required solar panels, see the sizing tool at Grundfos Product Center.

SQFlex Solar with backup batteries

During periods of limited solar energy, the SQFlex Solar system provides reliable water supply.

The water supply is ensured by backup batteries connected to the system through the charge controller.

The system is connected as shown in the fig. below. .

- Power is provided by the solar panels wired to produce minimum 60 VDC and maximum 110 VDC.
- Power from the solar panels is fed into a 48 VDC charge controller, which regulates the current fed to the batteries.
- From the charge controller, power passes into the battery bank, which consists of the number of appropriately sized batteries wired in series to achieve 48 VDC (rated) output.
- Power is drawn from the battery bank and routed through a CU 200. **Option:** An IO 50 or IO 101 can be installed to enable disconnection of the DC voltage. If an IO 101 is installed, it is possible to add a generator to the system.
- Power is run from CU 200 to the SQFlex pump.

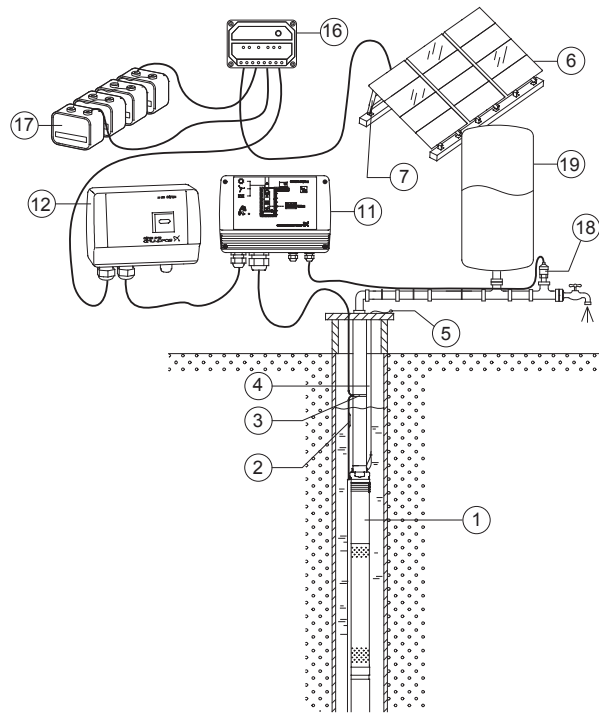
Benefits

The system ensures water supply during the night or during periods of insufficient solar energy.

Other benefits:

- easy installation
- maintenance confined to periodic cleaning of the solar panels
- few and simple components
- flexibility.

Note: CU 200 works with SQFlex up to 1400 W. CIU 903 works with any SQFlex up to 2500 W.



TM034232

SQFlex Solar with backup batteries

Pos.	Description
1	SQF pump
2	Submersible drop cable
3	Cable clips
4	Straining wire
5	Wire clamps
6	Solar panels
7	Support structure
11	CU 200 SQFlex control unit
12	IO 101 SQFlex switch box (optional)
16	Charge controller
17	Batteries
18	Pressure switch
19	Pressure tank

Note: For the number of the required solar panels, see the sizing tool at Grundfos Product Center.

SQFlex Wind with CU 200 and level switch

The SQFlex Wind system allows wind energy to be stored as water in a reservoir.

SQFlex Wind systems with a water reservoir are used in the following cases:

- For short periods, when wind energy is insufficient to run the pump.
- A backup water source is needed.

As the turbine noise level increases with the wind speed, do not install the wind turbine near residential areas.

Benefits

Combined with CU 200, the level switch has a pump cut-out function when the water reservoir is full.

CU 200 indicates the following:

- full water reservoir (level switch activated)
- pump operation
- input power.

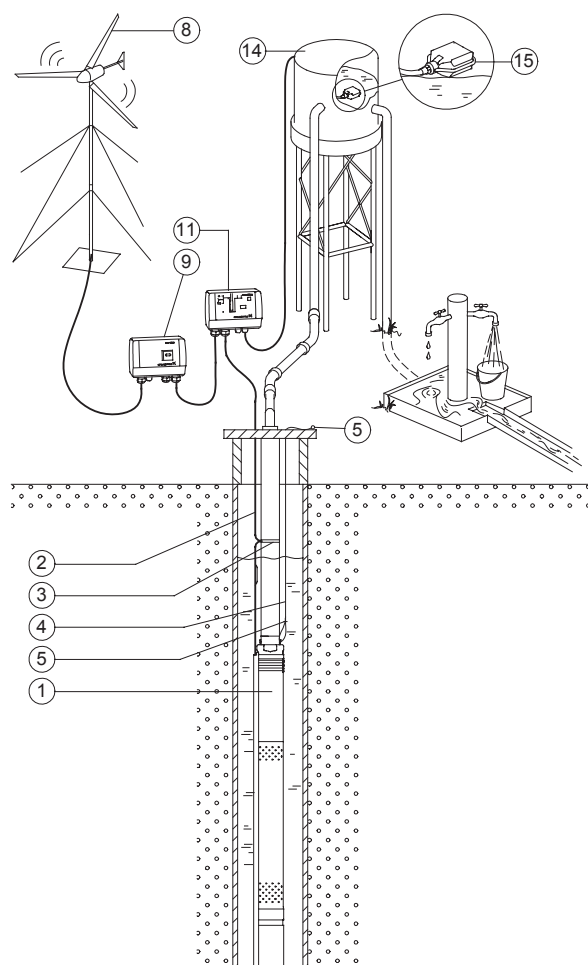
CU 200 indicates operational downtime in the following cases:

- dry running
- service (see page CU 200 SQFlex control unit)
- insufficient energy supply.

The breaker box switches off the power supply in the system and slows down or stops the wind turbine in the following cases:

- There is no need for water supply.
- The system requires service.

Note: CU 200 works with SQFlex up to 1400 W. CIU 903 works with any SQFlex up to 2500 W.



TM022308

SQFlex Wind with CU 200 and level switch

Pos.	Description
1	SQF pump
2	Submersible drop cable
3	Cable clips
4	Straining wire
5	Wire clamps
8	Wind turbine
9	Breaker box
11	CU 200 SQFlex control unit
14	Water reservoir
15	Level switch

Related information

[CU 200 SQFlex control unit](#)

SQFlex Combi with CU 200 and level switch

The SQFlex Combi system allows solar and wind energy to be stored as water in a reservoir.

SQFlex Combi systems with a water reservoir are used in the following cases:

- For short periods, when the solar or wind energy is insufficient to run the pump.
- A backup water source is needed.

As the turbine noise level increases with the wind speed, do not install the wind turbine near residential areas.

Benefits

Combined with CU 200, the level switch has a pump cut-out function when the water reservoir is full.

CU 200 indicates the following:

- full water reservoir (level switch activated)
- pump operation
- input power.

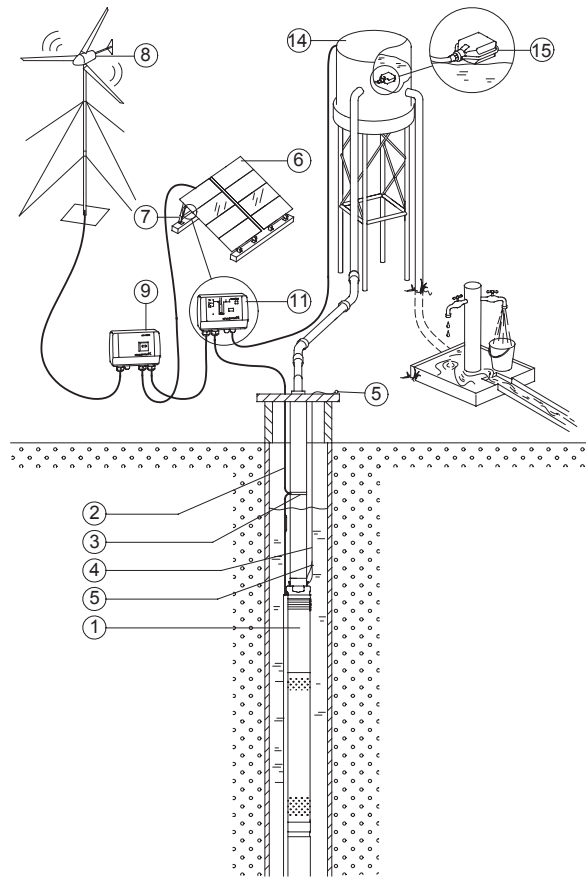
CU 200 indicates operational downtime in the following cases:

- dry running
- service (see CU 200 SQFlex control unit)
- insufficient energy supply.

The breaker box switches off the power supply in the system and slows down or stops the wind turbine in the following cases:

- There is no need for water supply.
- The system requires service.

Note: CU 200 works with SQFlex up to 1400 W. CIU 903 works with any SQFlex up to 2500 W.



TM022310

SQFlex Combi with CU 200 and level switch

Pos.	Description
1	SQF pump
2	Submersible drop cable
3	Cable clips
4	Straining wire
5	Wire clamps
6	Solar panels
7	Support structure
8	Wind turbine
9	Breaker box
11	CU 200 SQFlex control unit
14	Water reservoir
15	Level switch

Note: For the number of the required solar panels, see the sizing tool at Grundfos Product Center.

Related information

[CU 200 SQFlex control unit](#)

SQFlex system with generator as a power supply

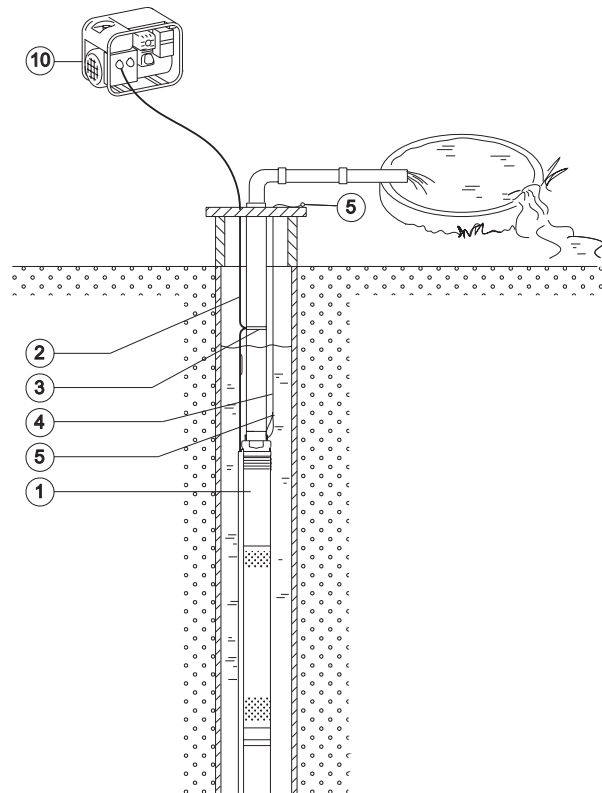
The SQFlex system is connected to a diesel or gasoline generator.

Benefits

The system provides water supply 24 hours a day, regardless of the weather.

Other benefits:

- easy installation
- minimal maintenance
- few and simple components.



TM022311

SQFlex system with generator as power supply

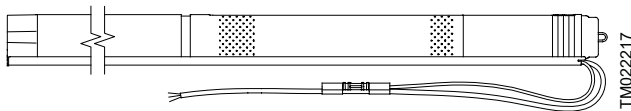
Pos.	Description
1	SQF pump
2	Submersible drop cable
3	Cable clips
4	Straining wire
5	Wire clamps
10	Generator

4. System components

SQF submersible pump

The SQF pump is available as a complete unit only.
The complete SQF pump consists of the following components:

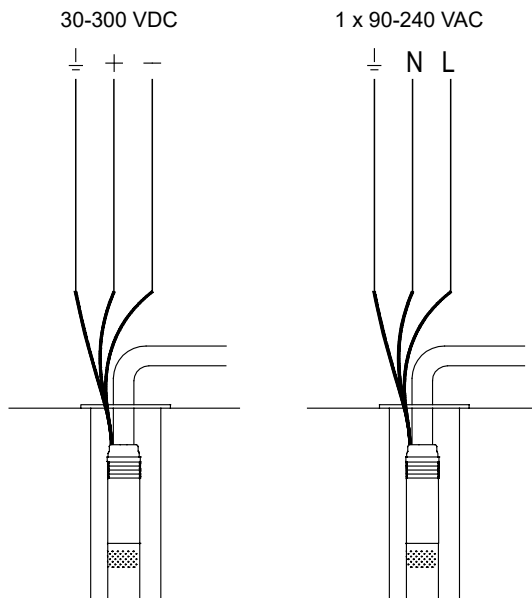
- motor
- 2.0 m (6 ft 7 in) cable with water-level electrode and socket
- cable guard.



SQF pump

The MSF motor is to be connected to the power supply as indicated in the fig. below.

As the integrated electronic unit enables the motor to handle both DC and AC supply voltages, there is no difference how the wires "+" and "-" or "N" and "L" are connected.



Wiring diagram

TM022437

CU 200 SQFlex control unit

CU 200 is a combined status, control and communication unit designed for the SQFlex system. It can be connected to a level switch and is designed for SQFlex power range up to 1400 W and maximum 8.4 A.

CU 200 incorporates cable entries for the following connections:

- power supply (pos. 6)
- pump (pos. 7)
- earth (pos. 8)
- level switch (pos. 9).

The communication between CU 200 and the pump is ensured through the power supply cable. This is called mains-borne signaling (or power line communication), which does not require extra cables between CU 200 and the pump.

Start, stop and reset the pump with the ON/OFF button (pos. 1).

CU 200 ensures system monitoring and alarm indication.

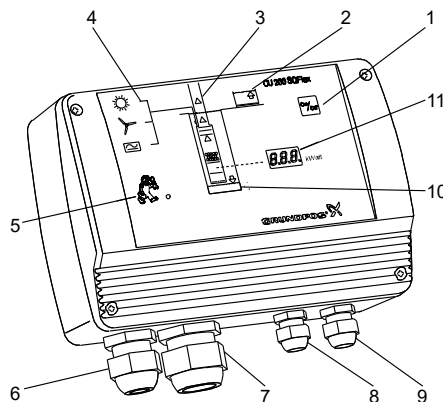
The operation can be monitored through the following indications:

- water reservoir full (level switch) (pos. 2)
- pump running (pos. 3)
- input power (pos. 11).

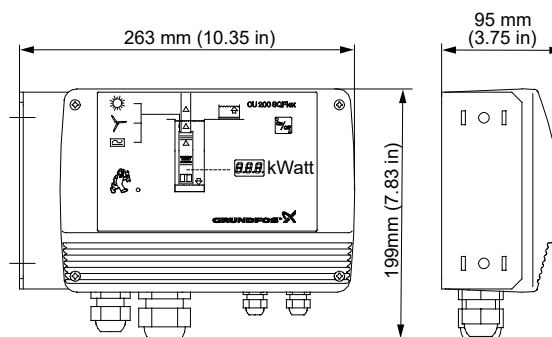
CU 200 indicates the following alarms:

- dry running (pos. 10)
- service needed (pos. 5):
 - no contact to the pump
 - overvoltage
 - overtemperature
 - overload.

In addition, CU 200 shows the symbols of the energy supply options (pos. 4).



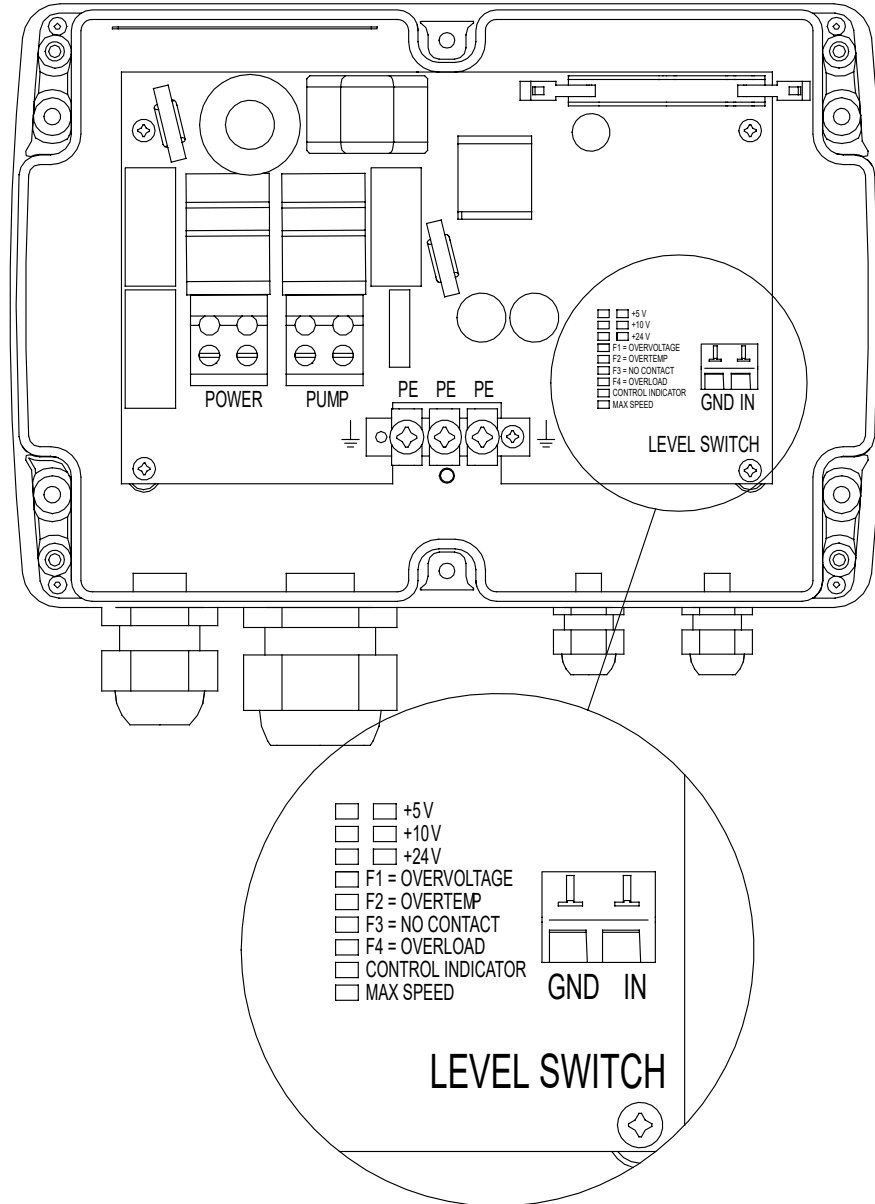
CU 200 elements



Dimensions, CU 200

TM022325

TM078601



TM022515

Electrical connections, CU 200

Level switch input

High water level: Contact is closed.

Low water level: Contact is open.

Related information

[Benefits](#)

[Benefits](#)

[Benefits](#)

CIU 903 SQFlex control unit for remote monitoring

CIU 903 is a combined monitoring, control and communication unit designed to work directly with a SQFlex pump. When combined with a CIM 280 GRM module, it enables remote monitoring through Grundfos Go. Moreover, CIU 903 can be connected to a start/stop switch, a level switch or a pulsating water meter. .

CIU 903 is designed to work with all SQFlex up to 2500 W.

The communication between CIU 903 and the pump is ensured through the power supply cable. This is called mains-borne signaling (or power line communication), which does not require extra cables between CIU 903 and the pump.

Start, stop and reset the pump with the start/stop switch.

CIU 903 ensures system monitoring and alarm indication.

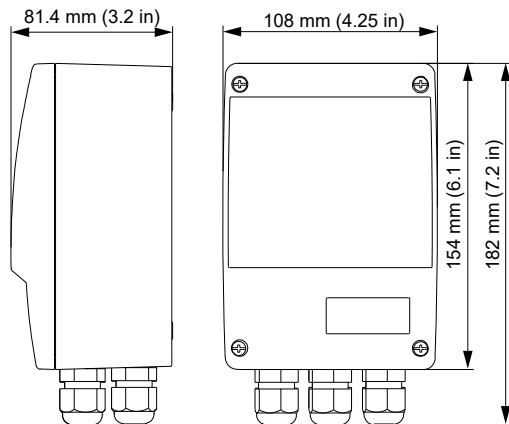
The pump operation can be monitored through the following indications:

- water reservoir full (level switch)
- pump running.

CIU 903 indicates the following alarms:

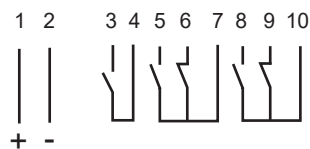
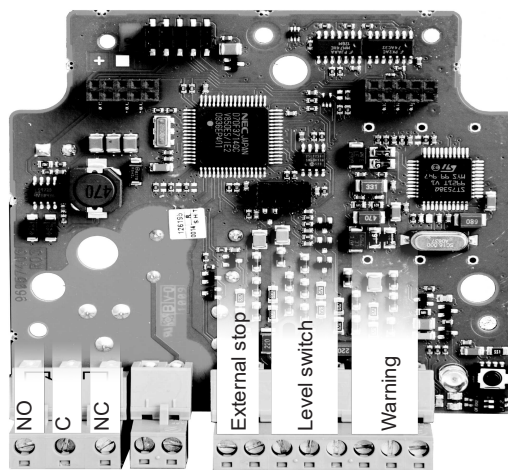
- dry running
- service needed:
 - no contact to the pump
 - overvoltage
 - overtemperature
 - overload.

Note: CIU 903 replaces CU 200 in the installation.



Dimensions, CIU 903

TM056100



Electrical connections, CIU 903

TM079822

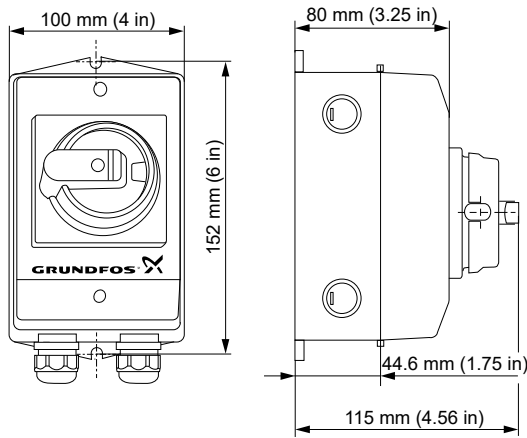


Electrical connections, CIU 903

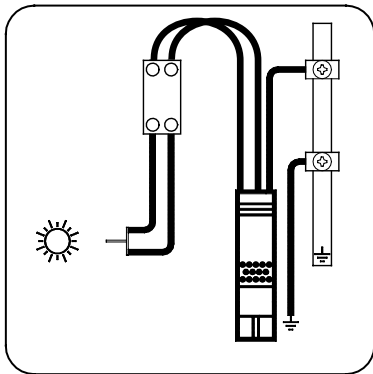
TM079823

IO 50 SQFlex switch box

The IO 50 is designed for solar-powered SQFlex systems. The IO 50 enables the pump in an SQFlex Solar system to be manually started and stopped. It functions as a box that connects all necessary cables.



Dimensions, IO 50



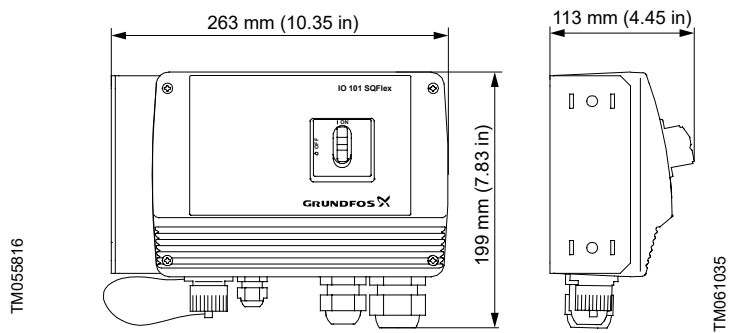
Wiring diagram, IO 50

IO 101/IO 101B SQFlex switch box

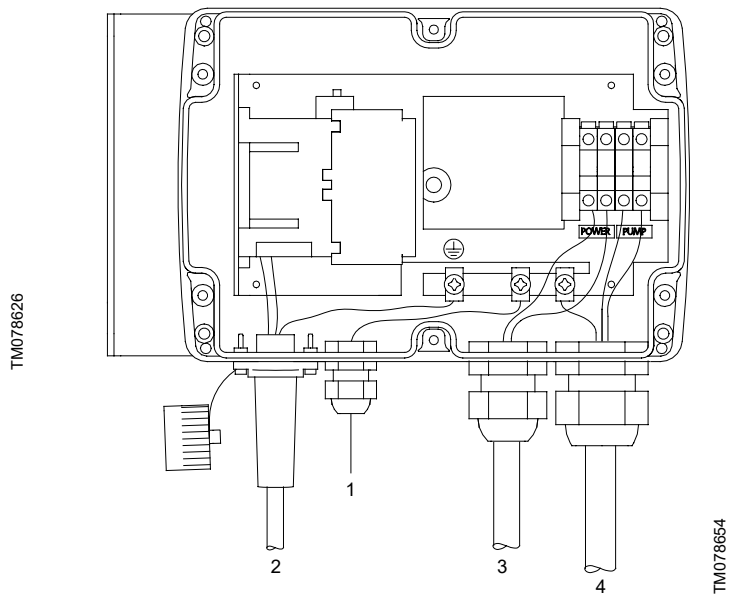
The IO 101 is designed for solar-powered SQFlex systems. The IO 101 enables the connection of a backup generator in case of insufficient solar energy. The switching between solar power and generator must be made manually.

If the generator is stopped manually or runs out of fuel, the IO 101 automatically changes back to solar.

The IO 101 functions as a box that connects all necessary cables.

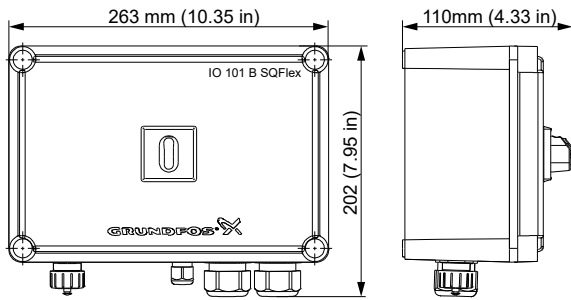


Dimensions, IO 101



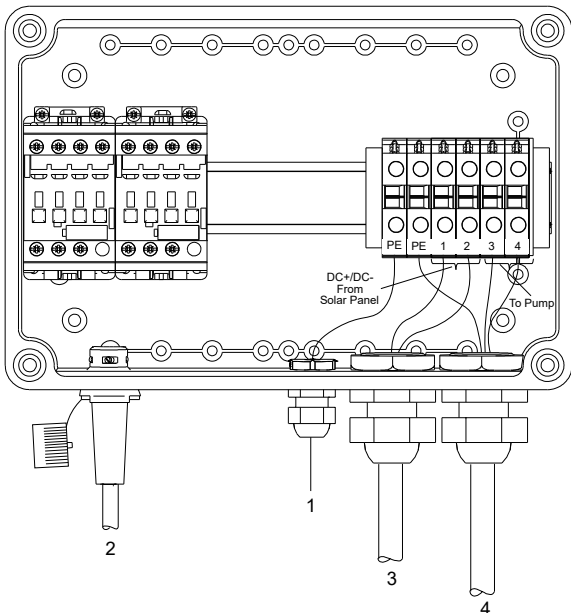
Electrical connections, IO 101

Pos.	Description
1	Generator
2	PE
3	Power
4	Pump



TM083111

Dimensions, IO 101 B



TM083112

Electrical connections, IO 101 B

Pos.	Description
1	Generator
2	PE
3	Power
4	Pump

Charge controller

The charge controller is used when a battery backup system is installed with an SQFlex pumping system. These systems are typically used in applications where the pump is not running during most of the peak sun hours of the day, or where it is impossible or impractical to store large volumes of water. Examples include remote homes or cabins, automatic livestock waterers, and very low-yielding wells.

The charge controller is an automatic battery charger, and the only setting required is the battery-selection.

There are three battery types available:

- gel battery
- sealed battery
- flooded battery.

The charge controller enables manual disconnection of the pump, the solar modules or both at the same time.

Wind turbine

The wind turbine has a working voltage range of 30 to maximum 220 VAC, single- or three-phase.

A breaker box and must be included in SQFlex Wind systems.

Note: The breaker box must be ordered separately.

Generator

The generator can be either diesel- or gasoline-driven.

The generator must be running steadily before the pump is started.

5. System sizing

Sizing of an SQFlex system

Grundfos has an online tool for the sizing of SQFlex systems.

See Grundfos Product Center. The sizing tool covers both solar- and wind-powered systems.

For sizing the proper SQFlex system, the following parameters are required:

- location of installation
- maximum head
- quantity of water.

Regarding the size of a correct solar-powered SQFlex system, there are six regions:

- North America
- South America
- Australia and New Zealand
- Asia and the Pacific
- Southern Africa
- Europe, Middle East and Northern Africa.

Each region is divided into a number of zones according to the solar radiation in kWh/m² (kWh/ft²) per day.

Voltage effect on pump efficiency

The pump efficiency can vary depending on the input voltage. This chart shows the dropoff in efficiency as the voltage gets lower. For example, if you have two systems with the exact same wattage rating, but System A is running at 120V and System B is running at 35V, System A will produce 20 % more water than System B.

SQ Flex optimal efficiency	
Panel output voltage	(% loss in gallons/day)
120-300 V	-0 %
90 V	-5 %
60 V	-10 %
35 V	-20 %

Solar panel wiring

Methods of solar panel wiring

Solar panels can be connected in the following methods:

1. series wiring
2. parallel wiring
3. series/parallel wiring.

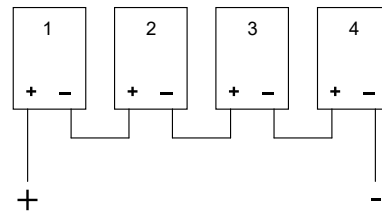
The Grundfos SQFlex pump is most efficient at 120 V and above, up to a maximum of 300 V. To maximize pump performance, connect panels to obtain at least 120 V.

Series wiring

All solar panels have a negative (-) and a positive (+) terminal.

When wiring panels in series, voltages add and amperage stays the same.

To wire panels in series, connect the positive terminal of one panel to the negative terminal of the next one.



TM062377

Solar panel wiring in series

Pos.	Description
1	Panel #1
2	Panel #2
3	Panel #3
4	Panel #4

Panel voltages add in series, so if the panels in fig. Solar panel wiring in series are rated at 70 V (GF100), then the total voltage is the following:

$$70 + 70 + 70 + 70 = 280 \text{ V}$$

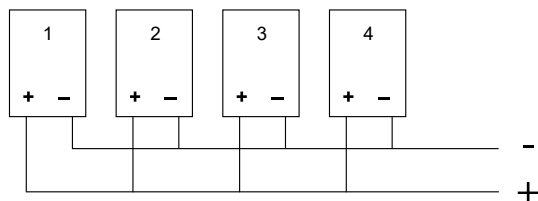
Panel amperage remains the same, so if each panel produces 1.43 A, then the total current is 1.43 A.

Panel wattage always adds, so if each panel is rated at 100 W, the total wattage (Watts = Volts x Amps) output is the following:

$$100 + 100 + 100 + 100 = 400 \text{ W}$$

Parallel wiring

When wiring panels in parallel, results are the opposite of series wiring: amperages add and voltage stays the same. To wire panels in parallel, connect the positive terminal of each panel to the positive terminal of the other panels and negative terminal of each panel to the negative terminal of the other panels.



TM062378

Solar panel wiring in parallel

Pos.	Description
1	Panel #1
2	Panel #2
3	Panel #3
4	Panel #4

Panel voltage remains the same, so if the panels in fig. below, produce 70 V each, then the total output is 70 V.

Panel amperage adds in parallel, so if the panels in fig. below, are rated at 1.43 A, then the total current will be the following:

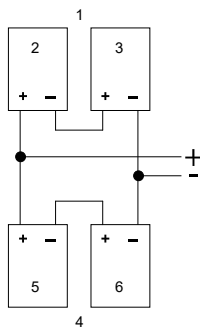
$$1.43 + 1.43 + 1.43 + 1.43 = 5.72 \text{ A}$$

Panel wattage always adds, so if each panel is rated at 100W, the total wattage (Watts = Volts x Amps) output is the following:

$$100 + 100 + 100 + 100 = 400 \text{ W}$$

Series/parallel circuits

A series/parallel circuit is simply two or more series circuits that are wired together in parallel.



TM062379

Solar panel wiring in series/parallel circuit

Pos.	Description
1	Pair #1
2	Panel #1
3	Panel #2
4	Pair #2
5	Panel #3
6	Panel #4

In fig. above, two separate pairs of panels are wired in series and each of these series pairs are wired together in parallel.

To determine the total voltage and amp output of this array, consider first each pair of panels wired in series. Think of each pair as a single panel. Each panel has a rating of 70 V, 1.43 A and 100 W. Note that in series, voltage adds, while amperage remains the same. Pair #1 provides 70 + 70 = 140 V and 1.43 A. Pair #2 provides the same.

Now add the two pairs in parallel. Remember in parallel, voltage remains the same and amperage adds. Each pair produces 140 V, so the total voltage is 140 V. Each pair produces 1.43 A, so the total amperage is the following: 1.43 + 1.43 = 2.86 A. Watts always add, so 100 W x 4 = 400 W.

Cable sizing

Use the following formula:

$$L = \frac{\Delta P \times q \times V_{mp}^2}{Wp \times 0.00162} \text{ [ft]}$$

where

L = Length of cable [ft]

ΔP = Power loss [%]

q = Cross section of submersible drop cable [in²]

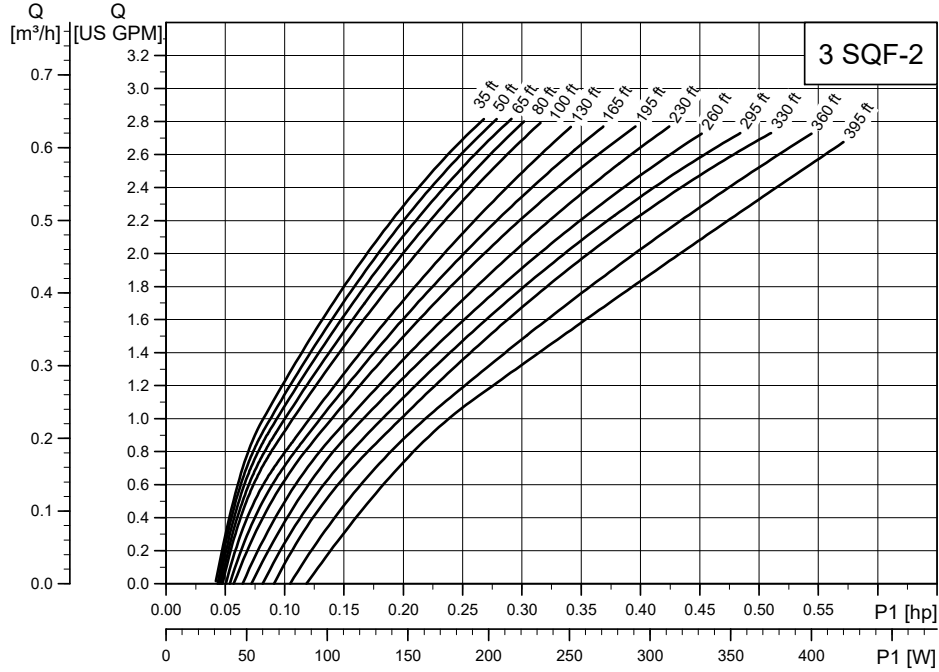
V_{mp} = Maximum power voltage [V]

Wp = Watt peak [Wp]

To calculate the exact losses, use the sizing tool at Grundfos Product Center.

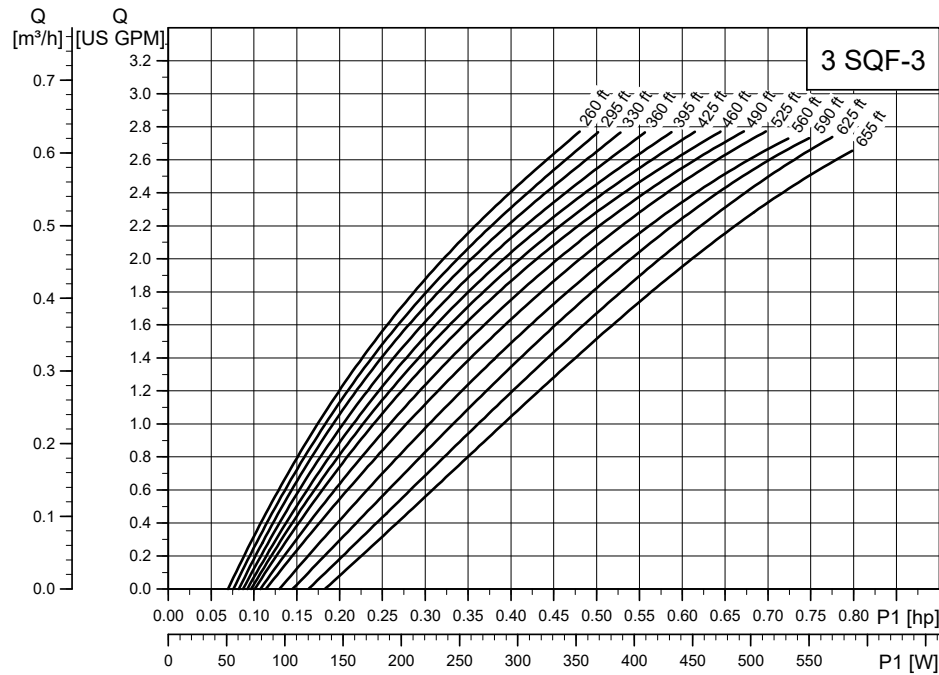
6. Performance curves

3 SQF-2



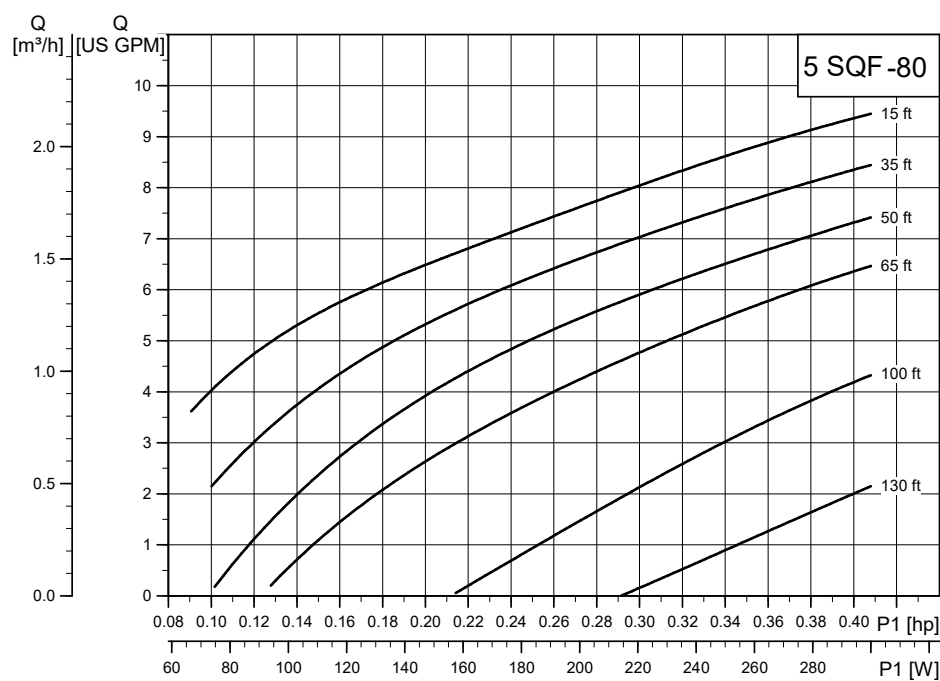
TM022426

3 SQF-3



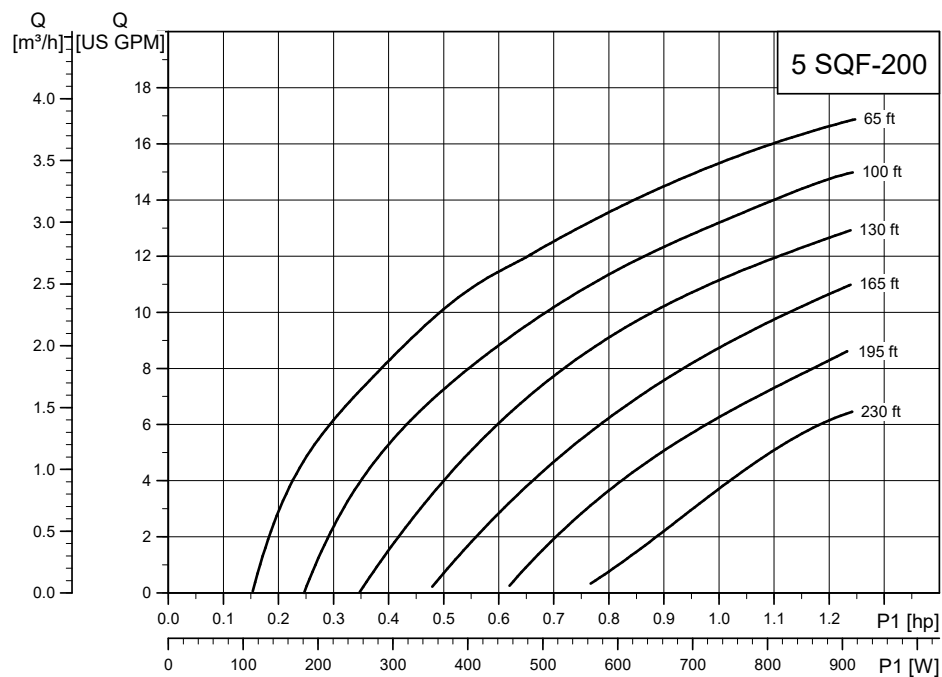
TM033930

5 SQF-80



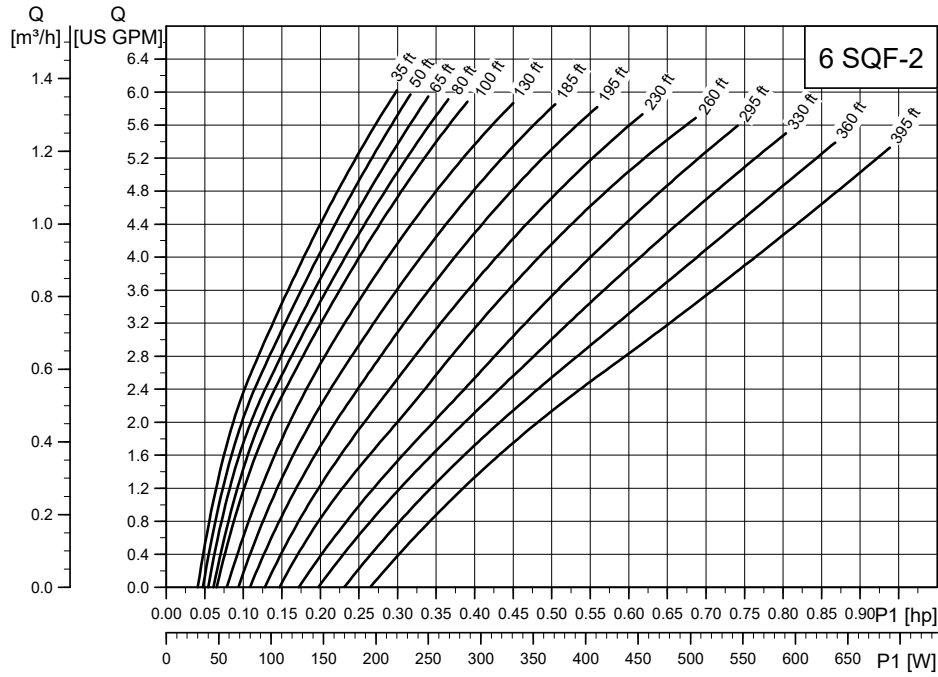
TM068848

5 SQF-200



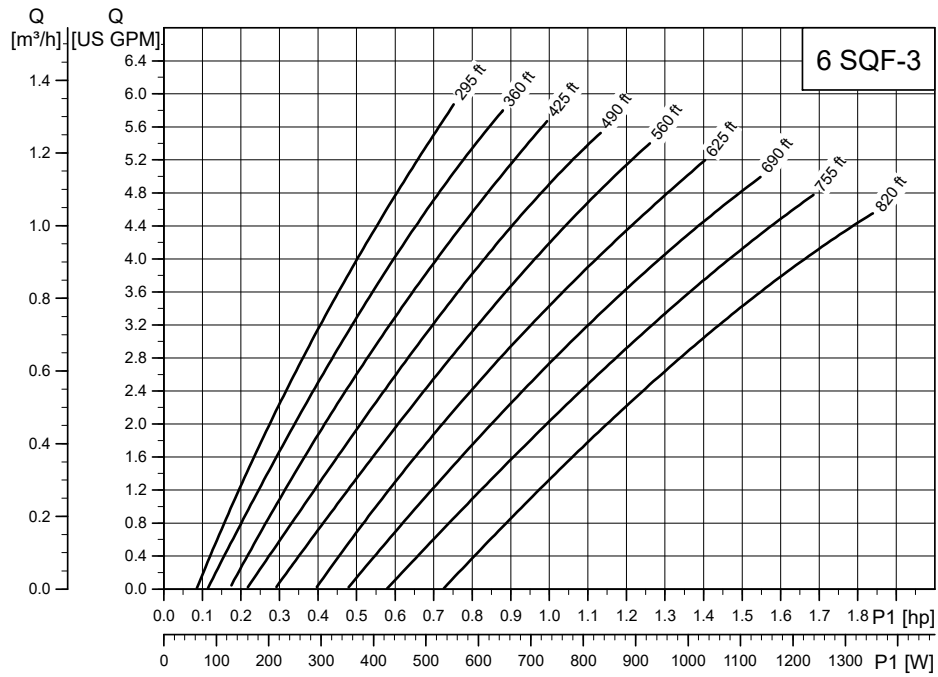
TM078124

6 SQF-2



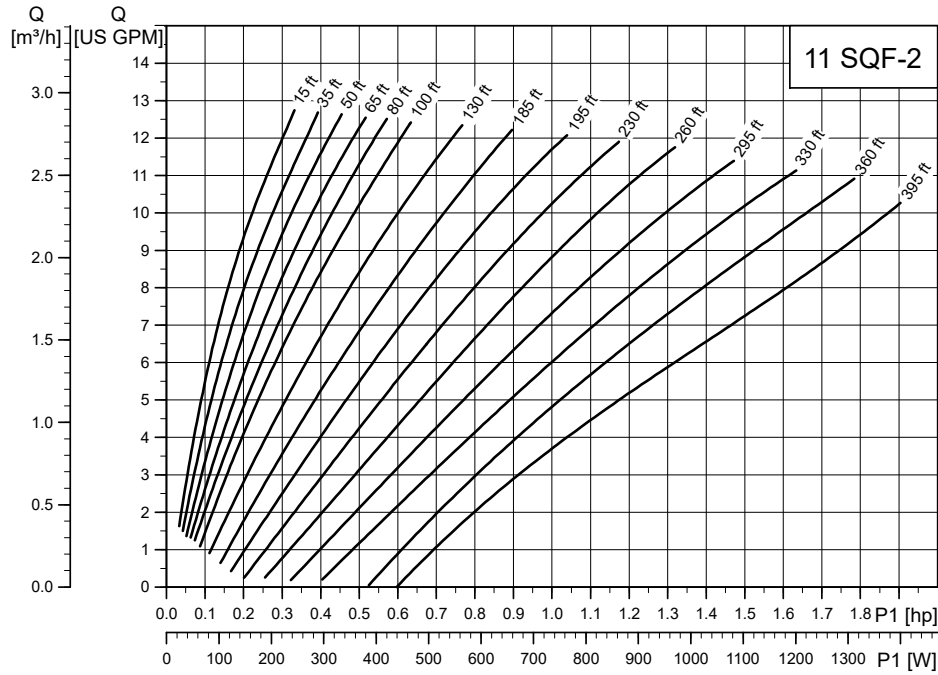
TM022427

6 SQF-3



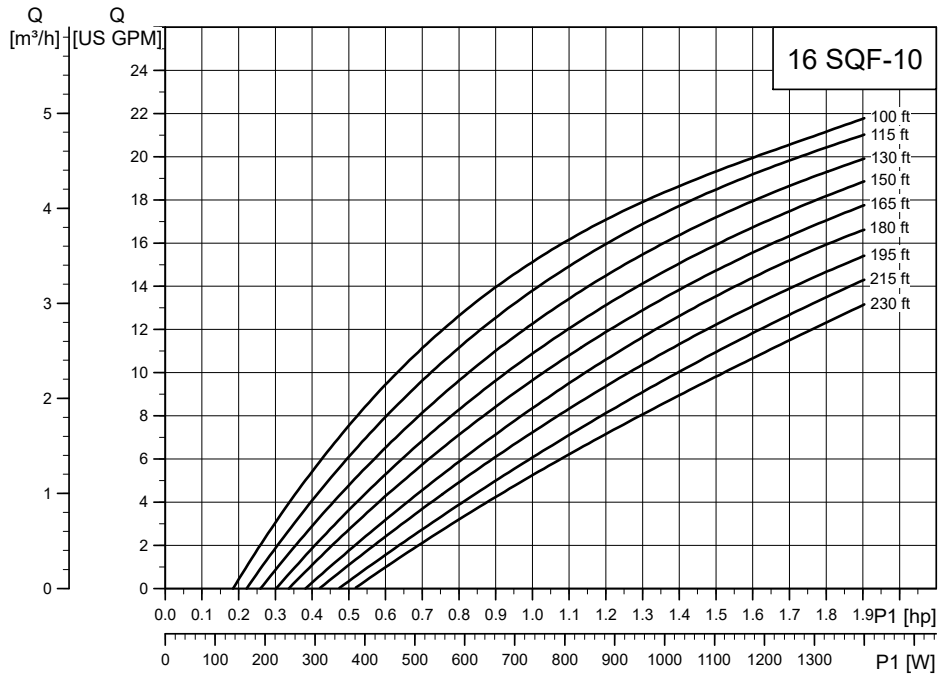
TM044648

11 SQF-2



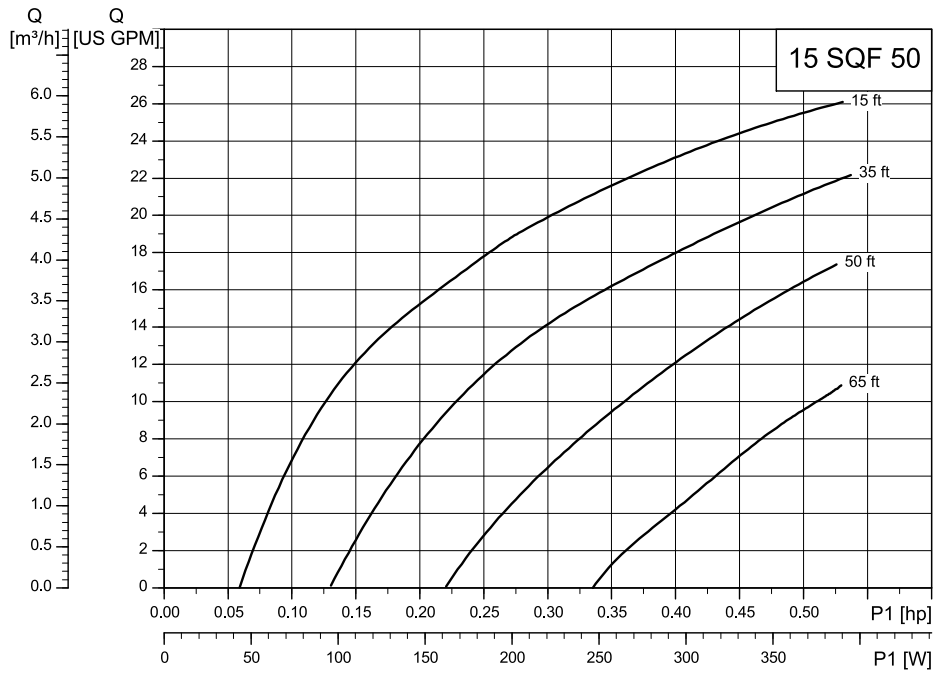
TM022428

16 SQF-10



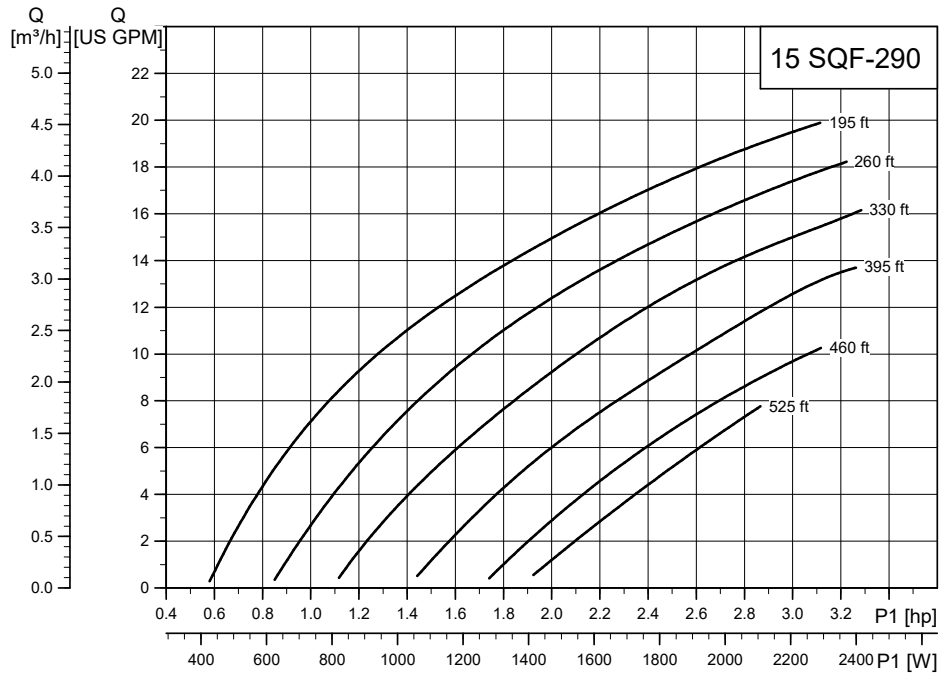
TM033931

15 SQF 50



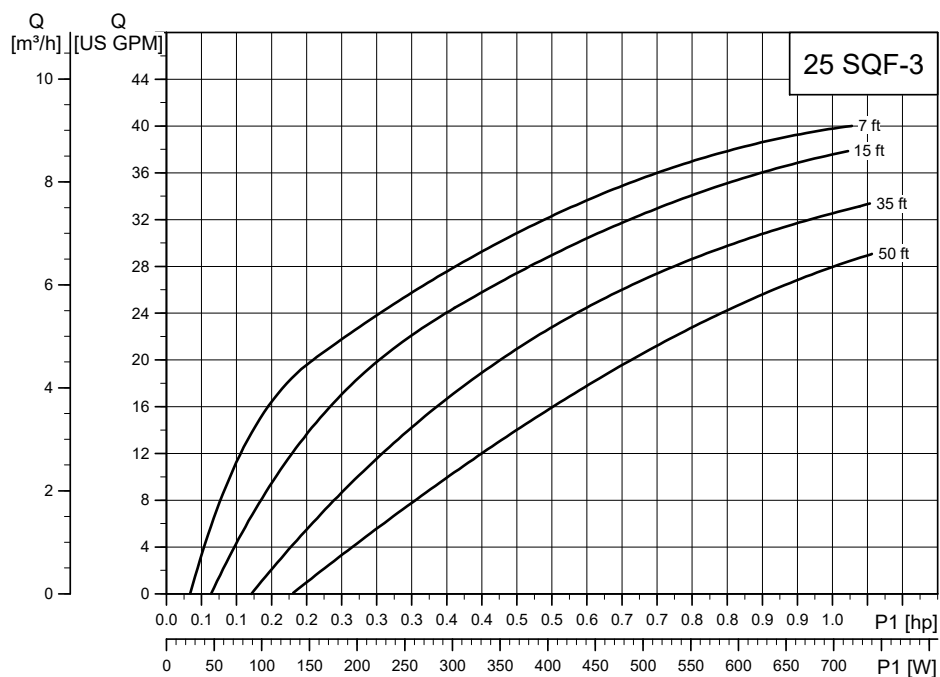
TM079984

15 SQF-290



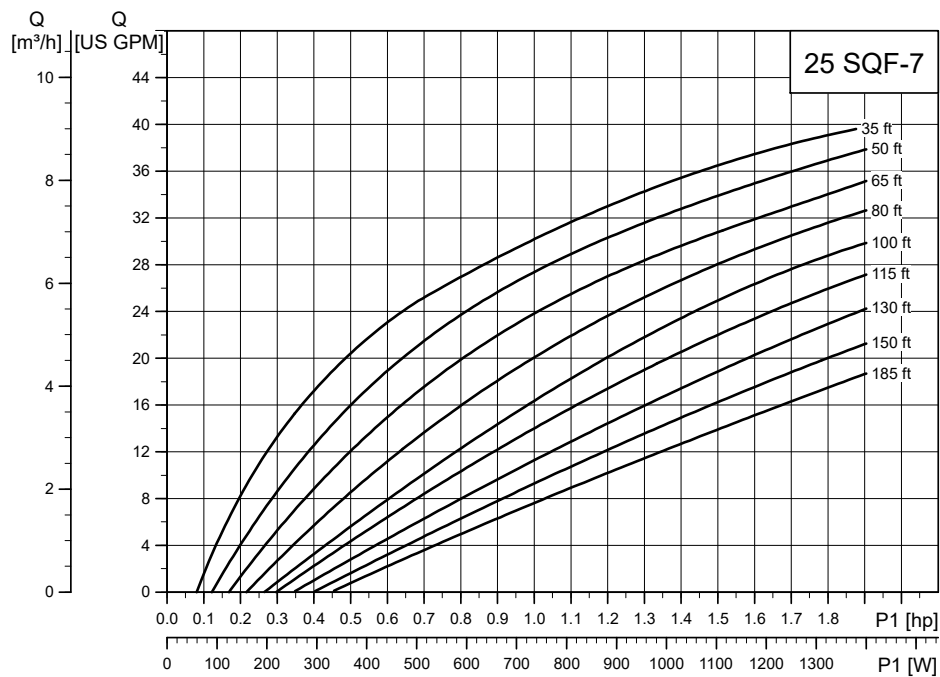
TM078122

25 SQF-3



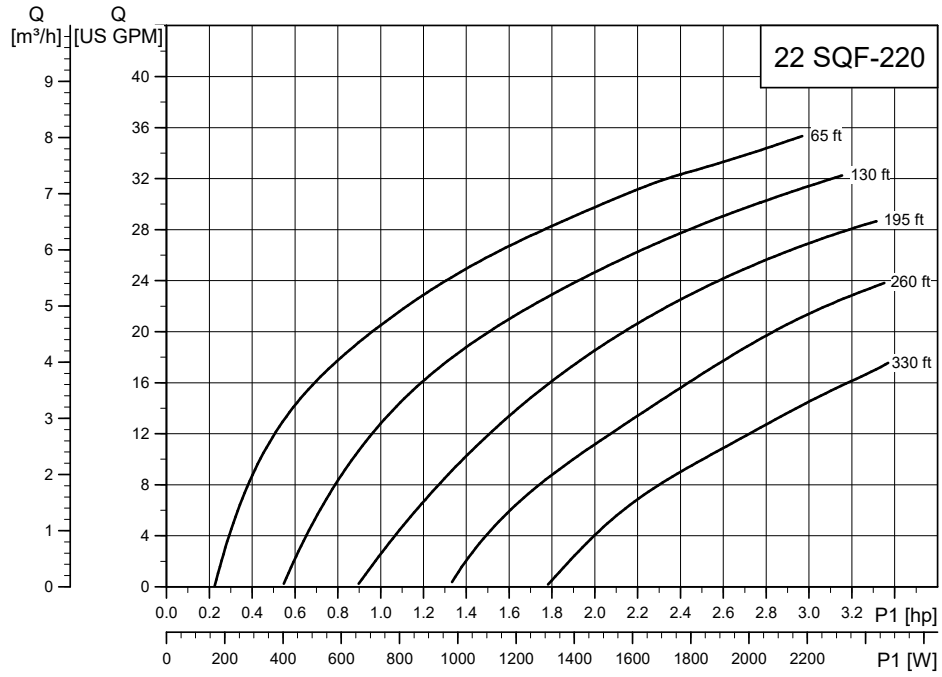
TM022429

25 SQF-7



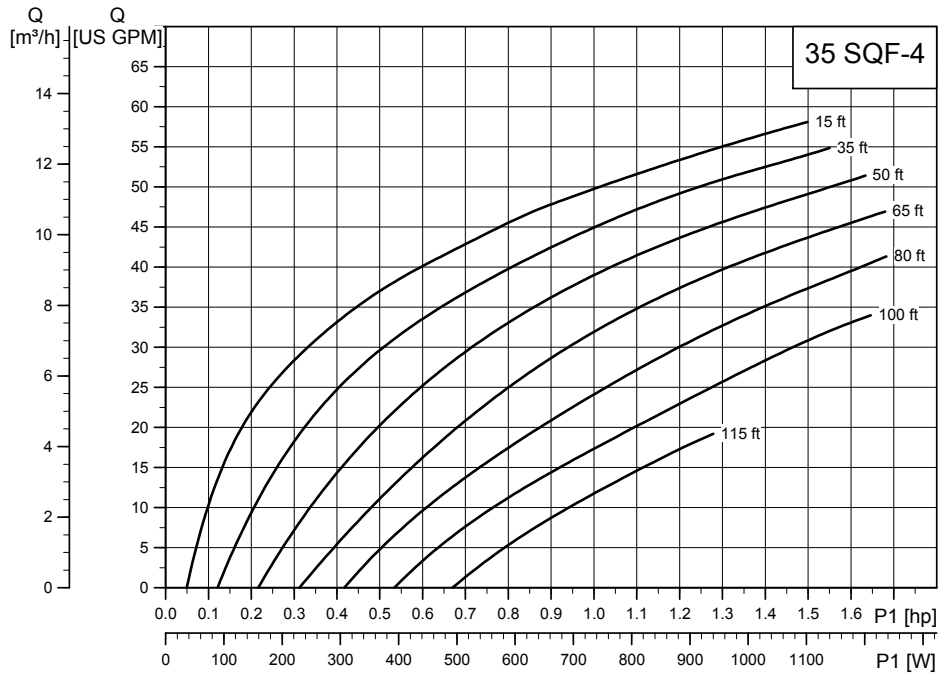
TM022430

22 SQF-220



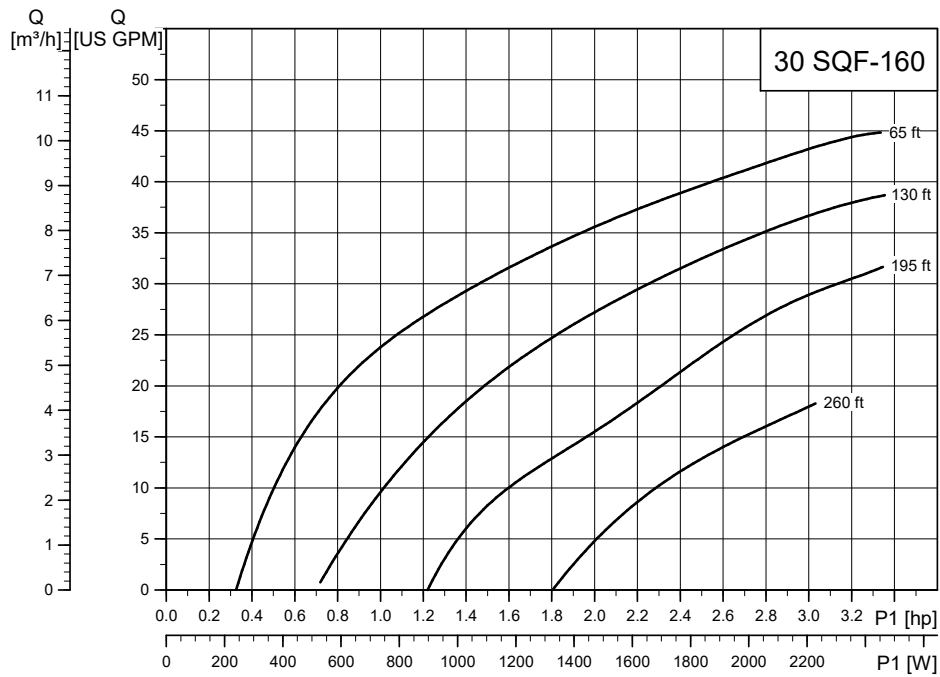
TM078121

35 SQF-4



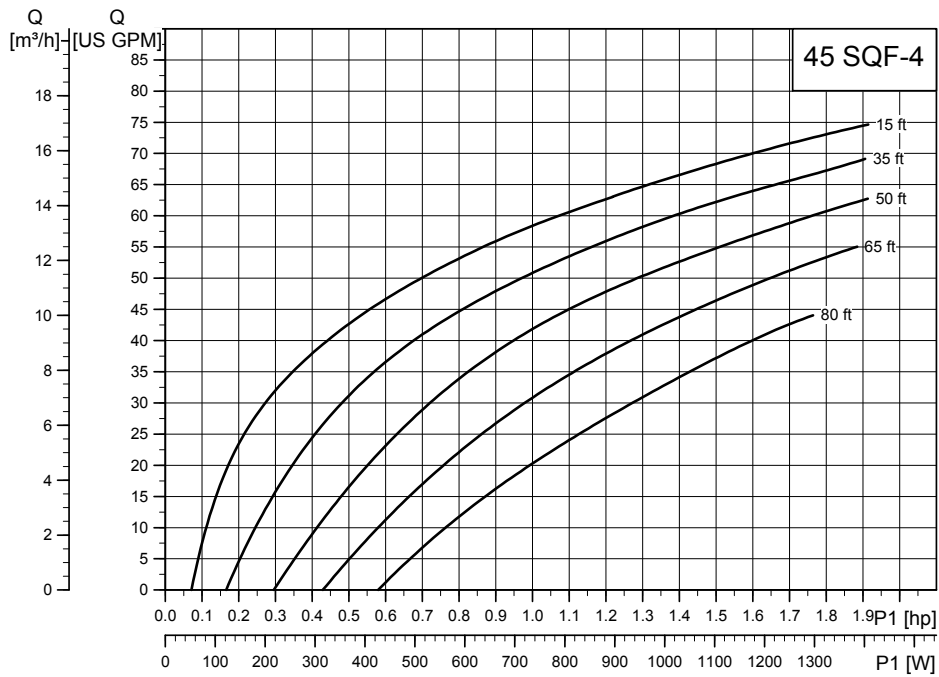
TM065835

30 SQF-160



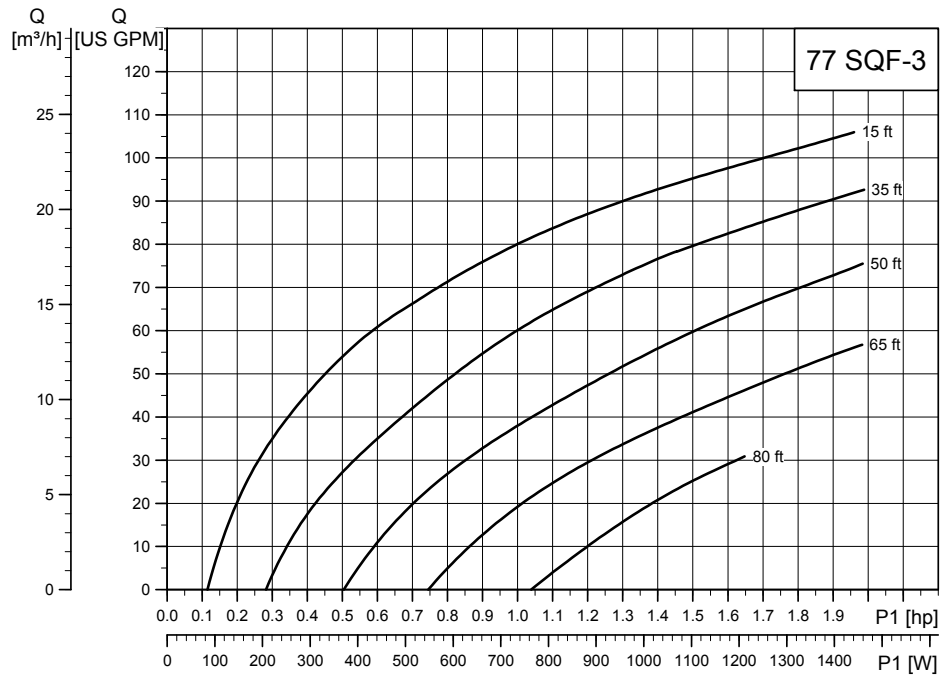
TM078123

45 SQF-3



TM065836

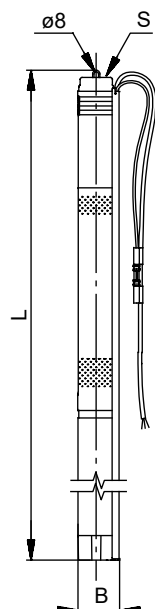
77 SQF-3



TM065837

7. Technical data

Dimensions and weights



TM02209

Pos.	Description	
Ø8	Ø8 mm (5/16")	

Pump type	Dimensions [mm (in)]			Minimum borehole [mm (in)] ¹⁾	Net weight [kg (lb)] ¹⁾
	L	B	S		
3 SQF-2	1185 (47)	74 (2.9)	1" NPT	76 (3)	9.4 (20.7)
3 SQF-3	1247 (49)	74 (2.9)	1" NPT	76 (3)	9.7 (21.4)
5 SQF-80	990 (39)	74 (2.9)	1 1/4" NPT	76 (3)	5.1 (11.2)
5 SQF-200	861 (34)	74 (2.9)	1 1/4" NPT	76 (3)	5.1 (11.2)
6 SQF-2	1247 (49)	74 (2.9)	1" NPT	76 (3)	7.9 (17.4)
6 SQF-3	1295 (21)	74 (2.9)	1" NPT	76 (3)	8.2 (18)
11 SQF-2	1247 (49)	74 (2.9)	1 1/4" NPT	76 (3)	8.2 (18)
16 SQF-10	968 (38)	101 (4)	1 1/4" NPT	104 (4)	9.5 / 11.1 (20.9 / 24.4)
15 SQF-50	1070 (42)	74 (2.9)	1 1/4" NPT	76 (3)	7.4 / 8.0 (16.3 / 17.6)
15 SQF-290	942 (37)	74 (2.9)	1 1/4" NPT	76 (3)	6.2 (13.7)
25 SQF-3	821 (32)	101 (4)	1 1/2" NPT	104 (4)	8.1 / 9.3 (17.8 / 20.5)
25 SQF-7	905 (36)	101 (4)	1 1/2" NPT	104 (4)	8.8 / 10.2 (19.4 / 22.4)
22 SQF-220	941 (37)	74 (2.9)	1 1/2" NPT	76 (3)	8.8 (19.3)
35 SQF-4	993 (39)	101 (4)	2" NPT	104 (4)	11.0 (24.2)
30 SQF-160	860 (34)	74 (2.9)	1 1/2" NPT	76 (3)	6.2 (13.6)
45 SQF-3	943 (37)	101 (4)	2" NPT	104 (4)	10.6 (23.3)
77 SQF-3	1018 (40)	101 (4)	2" NPT	104 (4)	11.2 (24.6)

1) Complete pump

Electrical data

Pump type	Motor type	DC Voltage [VDC]	AC Voltage [VAC]	Speed [RPM]	Maximum power input P1 [W]	Maximum current [A]
3 SQF-2	MSF 3	30-300	90-240	3600	1400	8.4
3 SQF-3	MSF 3	30-300	90-240	3600	1400	8.4
5 SQF-80	MSF 3	30-300	90-240	10700	300	8.4
5 SQF-200	MSF 3	30-300	90-240	10700	1000	8.4
6 SQF-2	MSF 3	30-300	90-240	3600	1400	8.4
6 SQF-3	MSF 3	30-300	90-240	3600	1400	8.4
11 SQF-2	MSF 3	30-300	90-240	3600	1400	8.4
16 SQF-10	MSF 3	30-300	90-240	3600	1400	8.4
15 SQF-50	MSF 3	30-300	90-240	10700	300	8.4
15 SQF-290	MSF 3	100-300	90-240	10700	2500	12
25 SQF-3	MSF 3	30-300	90-240	3600	1400	8.4
25 SQF-7	MSF 3	30-300	90-240	3600	1400	8.4
22 SQF-220	MSF 3	100-300	90-240	10700	2500	12
35 SQF-4	MSF 3	30-300	90-240	3600	1400	8.4
30 SQF-160	MSF 3	100-300	90-240	10700	2500	12
45 SQF-3	MSF 3	30-300	90-240	3600	1400	8.4
77 SQF-3	MSF 3	30-300	90-240	3600	1400	8.4

SQF pump

Run-up time	Depends on the energy source.
Start/stop	No limitation to the number of starts/stops per hour.
Enclosure class	IP68
Motor protection	<p>Built into the pump. Protection against:</p> <ul style="list-style-type: none"> • dry running by a water level electrode • over- and undervoltage • overload • overtemperature.
Conductivity	≥ 70 µs/cm (micro siemens)
Sound pressure level	The sound pressure level of the pump is lower than the limiting values stated in the EC Machinery Directive.
Radio noise	<p>The SQF complies with the EMC Directive 89/336/EEC. It is tested according to the standards EN 61000-6-2 and EN 61000-6-3.</p>
Reset function	The SQF can be reset through the CU 200 or by disconnecting the power supply for 1 minute.
Power factor	PF = 1
Operation through generator	Make sure that the generator output is equal to the motor input power (P1) plus 50 %, and at least (P1) plus 10 %.
Earth-leakage circuit breaker	If the pump is connected to an electric installation where an earth-leakage circuit breaker (ELCB) is used as an additional protection, this circuit breaker must trip out when earth fault currents with DC content (pulsating DC) occur.
Installation depth	<p>The pump must be completely submerged in the pumped liquid. The maximum installation depth must be 500 ft below the static water table (220 PSI).</p>
Suction strainer	<p>Holes of the suction strainer:</p> <ul style="list-style-type: none"> • 3 SQF, 5 SQF, 6 SQF, 11 SQF, 15 SQF, 22 SQF, 30 SQF: Ø0.09 in • 16 SQF, 25 SQF: Ø0.10 in • 35 SQF, 45 SQF, 77 SQF: 0.16 in x 0.80 in.
Pumped liquids	<p>pH 5-9 Sand content: up to 50 ppm</p>
Marking	CE

CU 200 SQFlex control unit

Voltage	30-300 VDC, 8.4 A 90-240 VAC, 8.4 A
Power consumption	5 W
Current consumption	Maximum 130 mA
Pump cable	Maximum length between the CU 200 and the pump: 300 m (1000 ft) Maximum length between the CU 200 and the level switch: 500 m (1500 ft)
Backup fuse	Maximum 10 A
Radio noise	The CU 200 complies with the EMC Directive 89/336/EEC. It is tested according to the standards EN 55014 and EN 55014-2.
Relative air humidity	95 %
Enclosure class	IP55
Ambient temperature	During operation: -30 °C to +50 °C (-22 °F to +122 °F) During storage: -30 °C to +60 °C (-22 °F to +140 °F)
Marking	CE
Weight	2 kg

CIU 903 SQFlex control unit

Electrical data	
Supply voltage	24-240 VAC/VDC - 10 %/+ 15 %
Transient overvoltage	Category II
Frequency	0-60 Hz
Power consumption	Maximum 11 W
Cable size	IEC: 0.2 - 4 mm ² UL: 24-12 AWG
Recommended cable type	Screened, double twisted-pair Cross-section: 0.25 - 1 mm ² AWG: 24-18 Maximum cable length: 1200 m/4000 ft
Pump cable	Maximum length between the CIU 903 and the pump: 300 m (1000 ft) Maximum length between the CIU 903 and the level switch: 500 m (1500 ft)
Cable entry	6 x M16 Ø4-10
GENIbus connection	
Transceiver	RS-485
Protocol	GENIbus
Transmission speed	9600 bit/s
Environmental conditions	
Altitude above sea level	Maximum 2000 m (6500 ft)
Relative air humidity	Maximum 100 %
External pollution degree	Category 3
Enclosure class	IP54 according to IEC 60529 Type 3R according to UL 50
Ambient temperature	
<ul style="list-style-type: none"> • During operation <ul style="list-style-type: none"> - CIU XXX - CIU 250-299. • During storage <ul style="list-style-type: none"> - CIU XXX - CIU 250-299. • During transportation <ul style="list-style-type: none"> - CIU XXX - CIU 250-299. 	<ul style="list-style-type: none"> • -20 °C to +45 °C (-4 °F to +113 °F) • 0 °C to +40 °C (32 °F to 104 °F) (when battery is installed) • -20 °C to +60 °C (-4 °F to +140 °F) • -20 °C to +35 °C (-4 °F to +95 °F) (when battery is installed) • -20 °C to +60 °C (-4 °F to +140 °F) • -20 °C to +35 °C (-4 °F to +95 °F) (when battery is installed)

IO 50 SQFlex switch box

Voltage	Maximum 300 VDC, 12 A Maximum 265 VAC, 12 A
Enclosure class	IP55
Ambient temperature	During operation: -30 °C to +50 °C (-22 °F to +122 °F) During storage: -30 °C to +60 °C (-22 °F to +140 °F)
Marking	CE

IO 101 SQFlex switch box

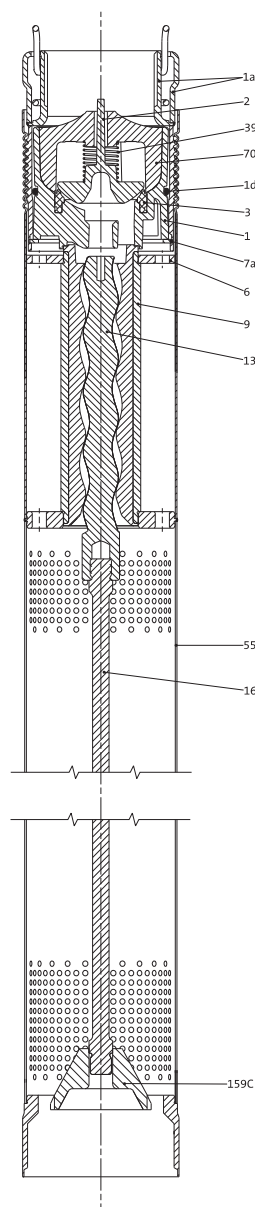
Voltage	230 VAC - 15 % to + 10 %, 50/60 Hz (internal relay) Maximum 225 VDC, 8.4 A Maximum 255 VAC, 8.4 A 115 VAC - 15 % to + 10 %, 50/60 Hz (internal relay) Maximum 225 VDC, 8.4 A Maximum 125 VAC, 8.4 A
Enclosure class	IP55
Ambient temperature	During operation: -30 °C to +50 °C (-22 °F to +122 °F) During storage: -30 °C to +60 °C (-22 °F to +140 °F)
Marking	CE

IO 101 B SQFlex switch box

Voltage	230 VAC - 15 % to + 10 %, 50/60 Hz (internal relay) Maximum 300 VDC, 12.5 A Maximum 230 VAC, 12.5A
Enclosure class	IP55
Ambient temperature	During operation: -30 °C to +45 °C (-22 °F to +113 °F) During storage: -30 °C to +60 °C (-22 °F to +140 °F)
Marking	CE

Material specification, helical rotor pump

Pos.	Component	Material	EN/DIN	AISI
1	Valve casing	Polyamide		
1a	Outlet chamber	Stainless steel	1.4301	304
1d	O-ring	NBR		
2	Valve cup	Polyamide		
3	Valve seat	Silicone (LSR)		
6	Upper flange	Stainless steel	1.4401	316
7a	Retaining ring	Stainless spring steel	1.4301	304
9	Pump stator	Stainless steel/ EPDM	1.4301	304
13	Pump rotor	Stainless steel	1.4401	316
16	Torsion shaft	Stainless steel	1.4401	316
39	Valve spring	Stainless spring steel	1.4310	310
55	Sleeve	Stainless steel	1.4301	304
70	Valve guide	Polyamide		
159c	Sand slinger	NBR		
	Cable guard	Stainless steel	1.4301	304
	Screws for cable guard	Stainless steel	1.4401	316

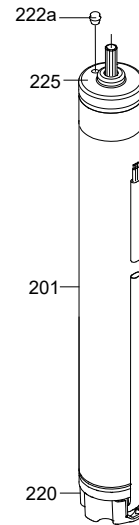
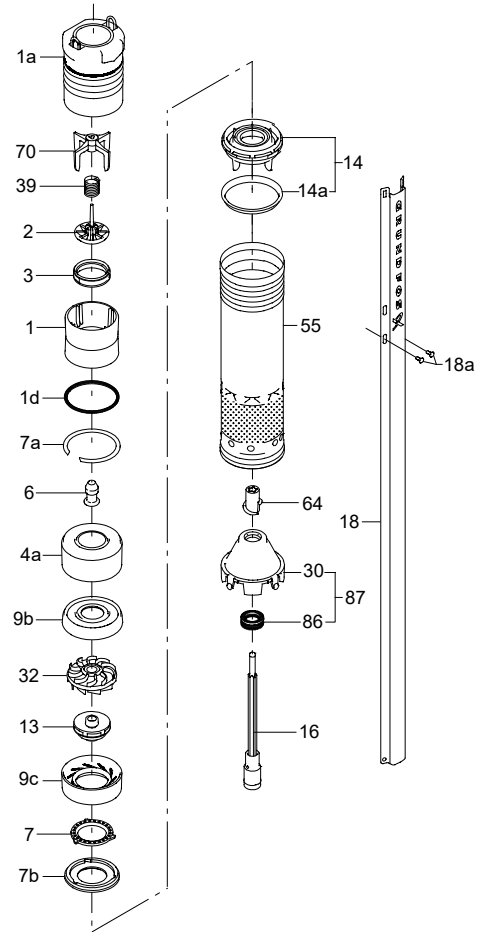


Example: 6 SQF-2

TM022213

Material specification, 3" SQ(F) hydraulic

Pos.	Component	Material	EN/DIN	AISI
1	Valve casing	Polyamide		
1a	Outlet chamber	Stainless steel	1.4301	304
1d	O-ring	NBR rubber		
2	Valve cup	Polyamide		
3	Valve seat	NBR rubber		
4a	Empty chamber	Polyamide		
6	Top bearing	NBR rubber		
7	Neck ring	TPU/PBT		
7a	Lock ring	Stainless spring steel	1.4310	310
7b	Neck ring retainer	Polyamide		
9b	Chamber top	Polyamide		
9c	Chamber bottom	Polyamide		
13	Impeller with tungsten carbide bearing	Polyamide		
14	Inlet interconnector	Polyamide		
14a	Ring	Stainless steel	1.4301	304
16	Shaft with coupling	Stainless steel Sintered steel	1.4301	304
18	Cable guard	Stainless steel	1.4301	304
18a	Screws for cable guard	Stainless steel	1.4401	316
30	Cone for pressure equalization	Polyamide		
32	Guide vanes	Polyamide		
39	Spring	Stainless spring steel	1.4406	316LN
55	Pump sleeve	Stainless steel	1.4301	304
64	Priming screw	Polyamide		
70	Valve guide	Polyamide		
86	Lip seal ring	NBR rubber		
87	Cone for pressure equalization complete	Polyamide / NBR rubber		

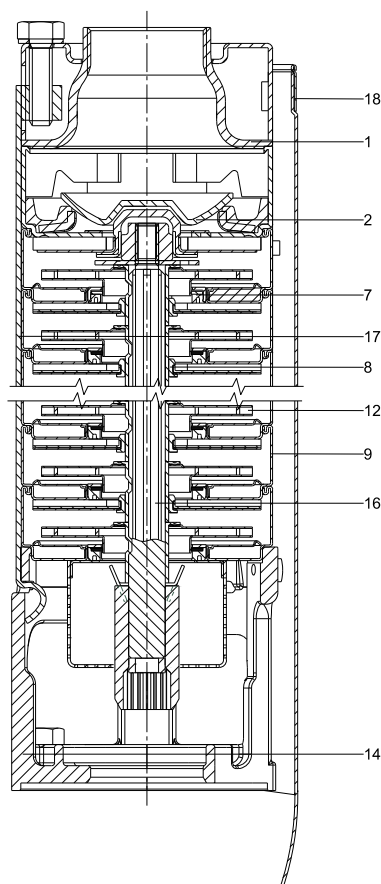


Example: 5 SQF-80

TM012745

Material specification, 16 SQF-10, 25 SQF-3

Pos.	Component	Material	EN	AISI
1	Valve casing	Stainless steel	1.4301	304
2	Valve cup	Stainless steel	1.4301	304
3	Valve seat	NBR		
7	Neck ring	NBR/TPU		
8	Bearing	NBR		
	Washer for stop ring	Carbon/graphite HY22 in PTFE mass		
9	Chamber	Stainless steel	1.4301	304
12	Impeller	Stainless steel	1.4301	304
14	Inlet interconnector	Cast stainless steel	1.4308	CF8
	Strainer	Stainless steel	1.4301	304
16	Shaft complete	Stainless steel	1.4057	431
17	Strap	Stainless steel	1.4301	304
18	Cable guard	Stainless steel	1.4301	304

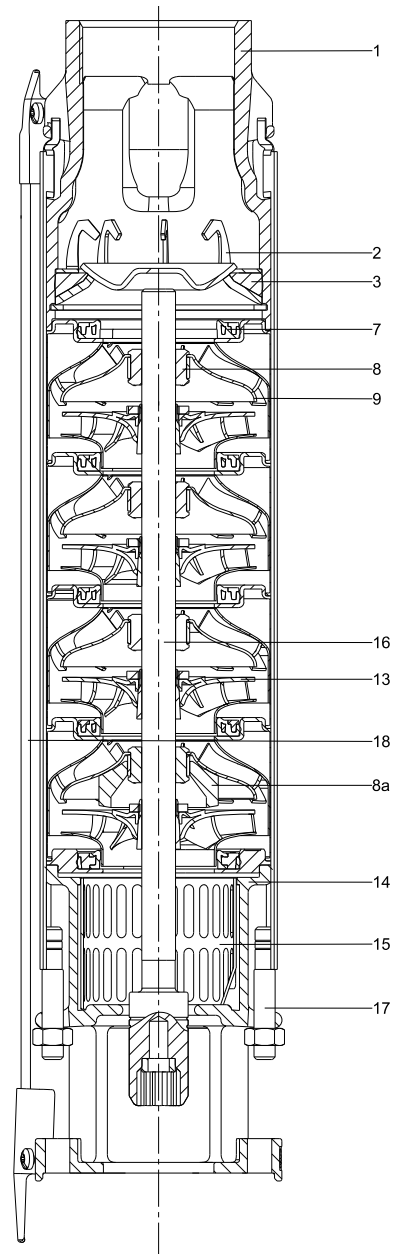


Example: 16 SQF-10, pump with spline shaft

TM061193

Material specification, 35 SQF-4, 45 SQF-3, 77 SQF-3

Pos.	Component	Material	EN	AISI
1	Valve casing	Cast stainless steel	1.4301	304
2	Valve cup	Cast stainless steel	1.4301	304
3	Valve seat	NBR-FKM		
7	Neck ring	TPU/PPS-FKM		
8	Bearing	LSR/FKM		
8a	Washer for stop ring	Carbon/graphite HY22 in PTFE mass		
9	Chamber	Stainless steel	1.4301	304
13	Impeller	Stainless steel	1.4301	304
14	Inlet interconnector	Cast stainless steel	1.4308	CF8
15	Strainer	Stainless steel	1.4301	304
16	Shaft complete	Stainless steel	1.4057	431
17	Strap	Stainless steel	1.4301	304
18	Cable guard	Stainless steel	1.4301	304

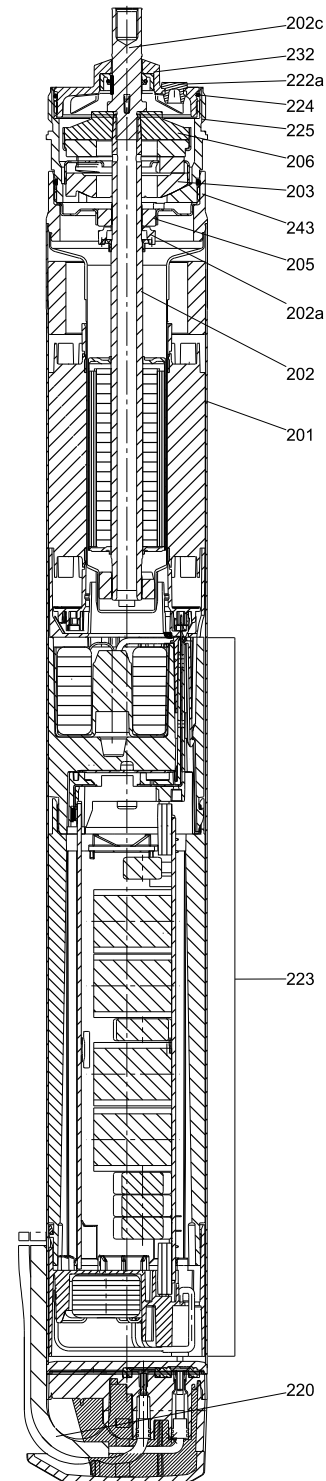


Example: 45 SQF-3

TM061110

Material specification, MSF 3, 500-3600 RPM

Pos.	Component	Material	EN/DIN	AISI
201	Stator with sleeve	Stainless steel	1.4301	304
202	Rotor	Stainless steel	1.4301	304
202a	Stop ring	PP		
202c	Shaft end	Stainless steel	1.4401	316
203	Thrust bearing, stationary	Stainless steel/ carbon	1.4401	316
205	Bearing plate with radial bearing	Silicon carbide	1.4301	304
206	Thrust bearing, rotating	Stainless steel/ aluminium oxide Al_2O_3	1.4401	316
220	Motor cable with plug			
222a	Filling plug	Silicone (LSR)		
223	Electronic unit			
224	O-ring	NBR		
225	Top cover	PPS		
232	Shaft seal	NBR		
243	Thrust-bearing housing	Stainless steel	1.4408	316
	Four screws (M4)	Stainless steel	1.4401	316

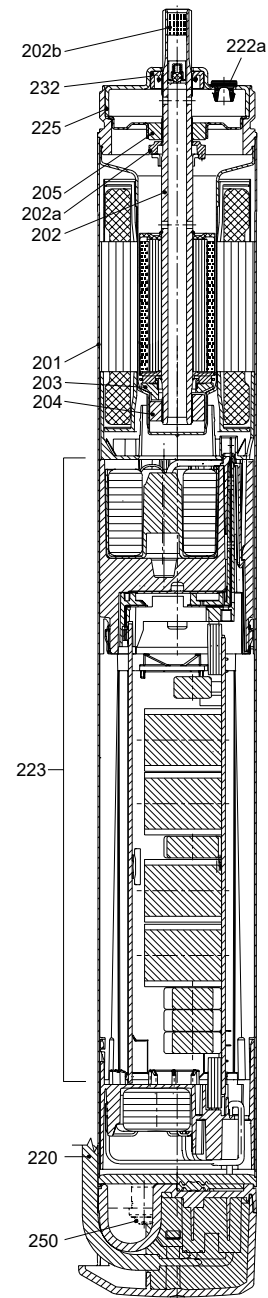


Sectional drawing of motor

TM022215

Material specification, MSF 3, 3000-10700 RPM

Pos.	Component	Material	EN/DIN	AISI
201	Stator	Stainless steel	1.4301	304
202	Rotor	Stainless steel	1.4301	304
202a	Stop ring	PP		
202b	Strainer	Polyester		
203	Thrust bearing, stationary	Carbon		
204	Radial bearing, lower	Silicon carbide/ tungsten carbide (coating)		
205	Radial bearing, upper	Silicon carbide/ tungsten carbide (coating)		
220	Motor cable with plug			
222a	Filling plug	Silicone (LSR)		
223	Electronic unit			
225	Top cover	Stainless steel	1.4301	304
232	Shaft seal	NBR		
250	Four screws (M4)	Stainless steel	1.4401	316

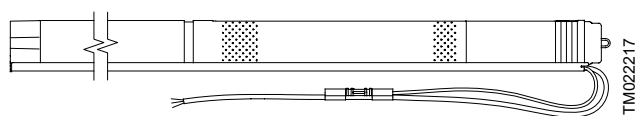


Sectional drawing of motor

TM011953

8. Product numbers

SQF submersible pump



SQF pump

The SQF pump is supplied with a 2 m (6 ft 7 in) cable.

Pump type	Pump size	Product number
3 SQF-2	3"	95027332
3 SQF-3	3"	95027333
5 SQF-80	3"	98842520
5 SQF-200	3"	99596874
6 SQF-2	3"	95027334
6 SQF-3	3"	96834840
11 SQF-2	3"	95027335
16 SQF-10	4"	95027350
15 SQF-50	3"	99587015
15 SQF-290	3"	99858157
25 SQF-3	4"	95027351
25 SQF-7	4"	95027353
22 SQF-220	3"	99465259
35 SQF-4	4"	98994960
30 SQF-160	3"	99595463
45 SQF-3	4"	98994951
77 SQF-3	4"	98994964

CU 200 SQFlex control unit

Product	Product number
CU 200 SQFlex	96625360
CU 200 SQFlex without angle plate	98147203

CIU SQFlex (GRM) control unit

Product	Product number
CIU 903 SQFlex without GRM	98106399
CIM 280 GiC, GRM, 3G, 4G US cellular	99439725
CIM 500 GRM ethernet	98301408
3G, 4G Antenna for CIM 280,	99838775
3G, 4G Antenna for CIM 260 and 280, roof mounting	99518079

IO 50 SQFlex switch box

Product	Product number
IO 50 SQFlex, US	96959028

IO 101 SQFlex switch box

Product	Product number
IO 101 SQFlex, 230 V	96475074
IO 101 SQFlex, 115 V	96481502

IO 101 B SQFlex switch box

Product	Product number
IO 101 B SQFlex, 230 V	92622786

9. Accessories

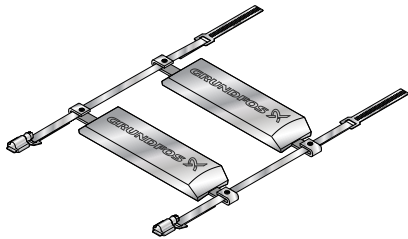
Level switch



TM022407

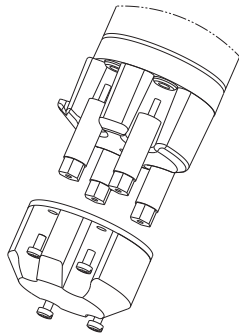
Description	Product number
Level switch High water level: Contact is closed. Low water level: Contact is open.	16650

Zinc anodes



TM077621

Description	Product number
Sacrificial anodes are placed on the outside of the pump and motor as a protection against corrosion. The zinc anode kit consists of 2 zinc anodes and a set of fasteners. Dimensions: Diameter when fitted: 125 mm (4.9 in). Minimum borehole diameter: 127 mm (5 in).	92836041



TM077637

Description	Product number
Sacrificial anodes are placed on the bottom of the pump and motor as a protection against corrosion. The number of anodes depends on the pump and the motor. The product number includes 1 zinc anode and 4 threaded rods. Dimensions: The zinc anode adds 55 mm (2.2 in) to the length of the pump. Minimum borehole diameter: 76 mm (3 in).	99599098

Related information

[Salt content](#)

Grease

Description	Product number
Grease for lubrication of motor shaft	96037562

10. Grundfos Product Center

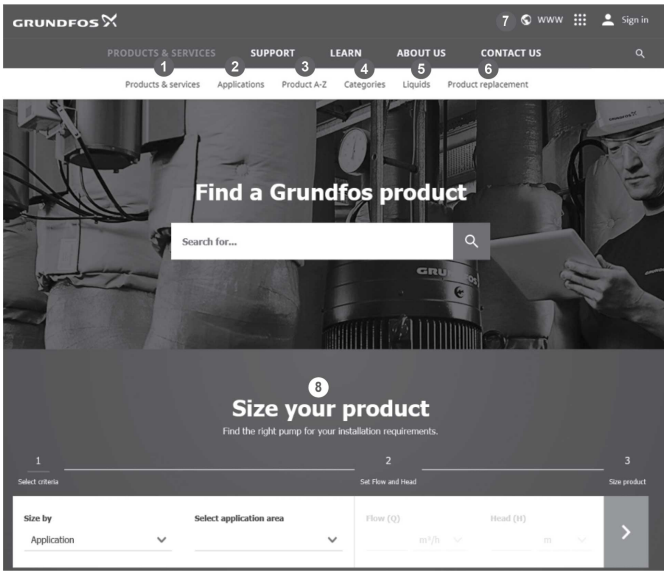
Online search and sizing tool to help you make the right choice. From the international view, you can select your specific country to view the product range available to you. International view: <https://product-selection.grundfos.com>

All the information you need in one place

Performance curves, technical specifications, pictures, dimensional drawings, motor curves, wiring diagrams, spare parts, service kits, 3D drawings, documents, system parts. The Product Center displays any recent and saved items - including complete projects - right on the main page.

Downloads

On the product pages, you can download installation and operating instructions, data booklets, service instructions, etc., in PDF format.



When you select your country, you will see the menus below. Note that some menus may not be available depending on the country.

Example: <https://product-selection.grundfos.com/us>

Pos.	Description
1	Products & services enables you to find products and documents by typing a product number or name into the search field.
2	Applications enables you to choose an application to see how Grundfos can help you design and optimize your system.
3	Products A-Z enables you to look through a list of all the Grundfos products.
4	Categories enables you to look for a product category.
5	Liquids enables you to find pumps designed for aggressive, flammable or other special liquids.
6	Product replacement enables you to find a suitable replacement.
7	WWW enables you to select the country, which changes the language, the available product range and the structure of the website.
8	Sizing enables you to size a product based on your application and operating conditions.

92552657 12.2022
ECM 1356962

GRUNDFOS Holding A/S
Poul Due Jensens Vej 7
DK-8850 Bjerringbro
Tel: +45 87 50 14 00
www.grundfos.com

