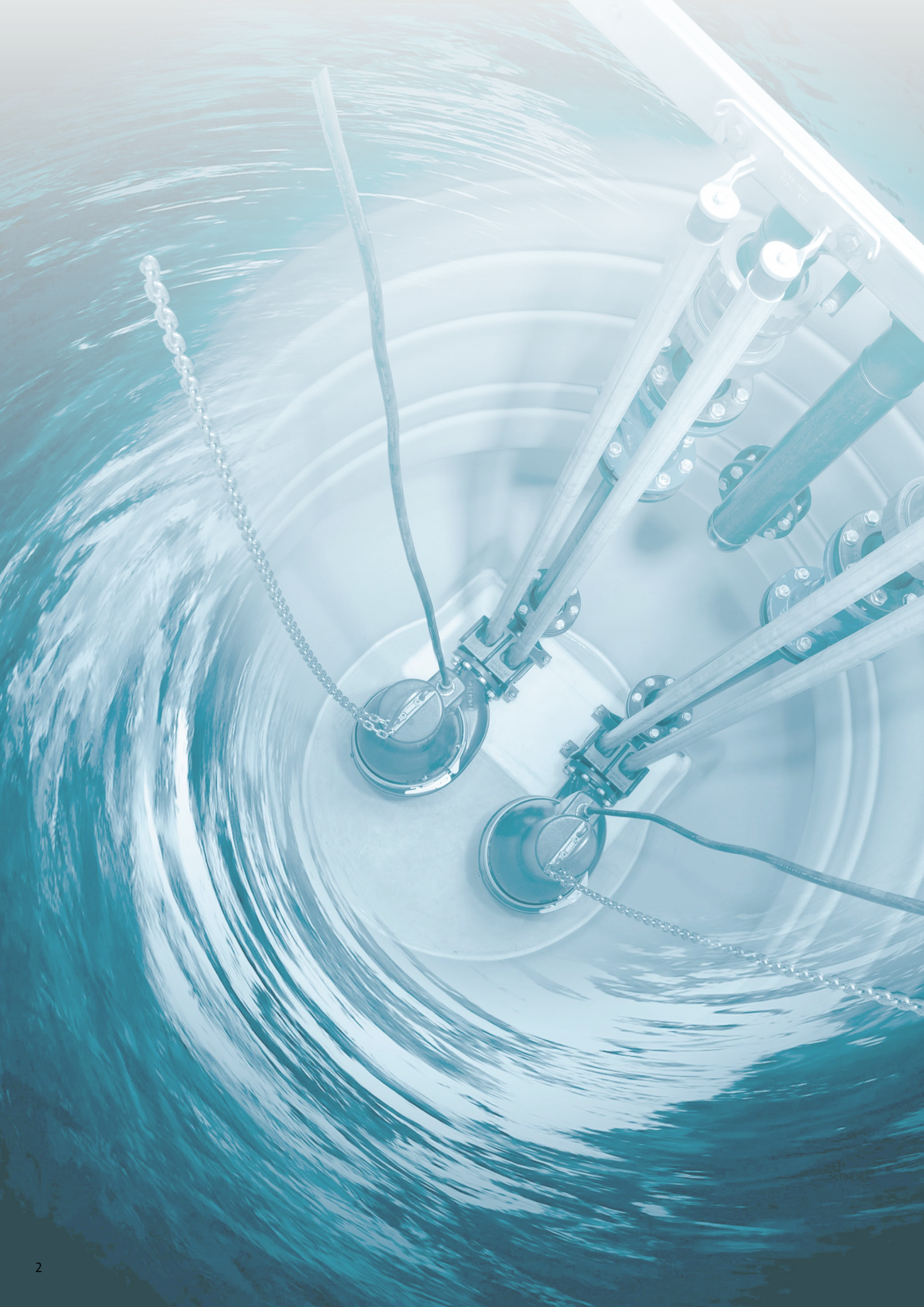


# Accessory catalogue, DIN

**GRUNDFOS** 

Possibility in every drop





# Content

## SUBMERGED INSTALLATION

4

Auto coupling installation // Transportable stand // Lifting equipment

## DRY INSTALLATION

10

Vertical stands // Base plates // Horizontal brackets // Horizontal stands

## FITTINGS

18

Adapters // Fittings and adapters

## ELECTRICAL EQUIPMENT

20

Level sensors // Float switches // Controllers

### Use Grundfos-approved accessories

This Accessory Catalogue guides you through the Grundfos-approved accessories available for wastewater installations. By using Grundfos-approved accessories, you always get the highest standards of build quality and functionality. Installation equipment developed by Grundfos is engineered with robustness, reliability and compatibility as the highest priority.

Furthermore, design and engineering manuals for wastewater installations and applications are available from [grundfos.com](http://grundfos.com)

If you cannot find what you are looking for in this Accessory Catalogue, please contact your local Grundfos office for further support.



# Auto coupling Installation

- Guide rails are not shipped from Grundfos central distribution center. Please contact your local Grundfos office for support.

- Adaptor claws product numbers contain:
  - Adaptor claw
  - Gasket
  - Fastner set

- Auto coupling sets contain:

- Set < DN250:
- Base unit
  - Guide claw
  - Upper guide rail holder
  - Gasket
  - Fastner set

- Set = DN250 and above:
- Base unit
  - Upper guide rail holder
  - Gasket
  - Fastner set

For pumps with outlet flanges size DN250 and above, the guide claw is fitted to the pump from the factory.

- Consider using intermediate guide rail holders to ensure the stability. Upper guide rail holders are included in the Auto coupling set. It is recommended to use Intermediate guide rail holders if:

Guide rail ≤ 2" dia. exceeds 4 meters(13 ft) in length.  
Guide rail ≥ 3" dia. exceeds 6 meters(20 ft) in length.

Upper guide rail holders are included in the Auto coupling set.



Adaptor claws	SE/SL -> Xylem Flygt	SE/SL -> HOMA	S -> Xylem Flygt	S -> HOMA	SEG -> Xylem Flygt	SEG -> Sulzer ABS	SEG -> Jung	SEG -> APG
Pump / stand Adaption	Cast iron	Cast iron	Cast iron	Cast iron	Cast iron	Cast iron	Cast iron	Cast iron
DN 40					x*	x*	x*	x*
DN 65	x*							
DN 80	x*	x*	x*					
DN 80/100	x*		x*					
DN 100	x*	x*	x*					
DN 100/150	x*							
DN 125/100			x*					
DN 125/150			x*					
DN 150 2" guide rails	x*							
DN 150 3" guide rails	x*		x*	x*				
DN 200	x*		x*	x*				
DN 250	x*		x*					
DN 300	x*		x*					

\* Please contact your local Grundfos sales office for support.

Grundfos installation Suction/Discharge	Grundfos Auto coupling set			Guide rail holders	
	Cast iron	Stainless steel (EN 1.4408)	Duplex stainless steel (EN 1.4517)	Guide rail size*	Intermediate holder Stainless steel (EN 1.4408)
NPT 2"	<a href="#">97727450</a>			1" (33,7mm)	<a href="#">96825111</a>
Rp 2"	<a href="#">97644486</a>			1" (33,7mm)	<a href="#">96825111</a>
DN 40/Rp 1½"	<a href="#">96076063</a>			1" (33,7mm)	<a href="#">96825111</a>
DN 50/Rp 2"	<a href="#">97695874</a>			1" (33,7mm)	<a href="#">96825111</a>
DN 65	<a href="#">96090992</a>	<a href="#">96825104</a>	<a href="#">97904192</a>	1½" (48,3mm)	<a href="#">96825119</a>
DN 65/80	<a href="#">96102238</a>			1½" (48,3mm)	<a href="#">96825119</a>
DN 80	<a href="#">96090993</a>	<a href="#">96825106</a>	<a href="#">97904193</a>	1½" (48,3mm)	<a href="#">96825142</a>
DN 80/100	<a href="#">96102240</a>			1½" (48,3mm)	<a href="#">96825142</a>
DN 100	<a href="#">96090994</a>	<a href="#">96825108</a>	<a href="#">97904194</a>	2" (60,3mm)	<a href="#">96825161</a>
DN 100/150	<a href="#">96102241</a>			2" (60,3mm)	<a href="#">96825161</a>
DN 125/150	<a href="#">96782145</a>	<a href="#">96957425</a>	<a href="#">97904197</a>	3" (88,9mm)	<a href="#">96829331</a>
DN 150 2"	<a href="#">96090995</a>	<a href="#">96945381</a>	<a href="#">97904195</a>	2" (60,3mm)	<a href="#">96887674</a>
DN 150 3"	<a href="#">97695489</a>	<a href="#">96989863</a>	<a href="#">97904196</a>	3" (88,9mm)	<a href="#">96887674</a>
DN 200	<a href="#">96641489</a>			3" (88,9mm)	<a href="#">97918997</a>
DN 200 PN16	<a href="#">96650321</a>			3" (88,9mm)	<a href="#">97918997</a>
DN 250	<a href="#">96782483</a>			3" (88,9mm)	<a href="#">97918997</a>
DN 250 PN16	<a href="#">96836995</a>			3" (88,9mm)	<a href="#">97918997</a>
DN 300	<a href="#">96782484</a>			3" (88,9mm)	<a href="#">97918997</a>
DN 500	<a href="#">96782485</a>			3" (88,9mm)	<a href="#">97918997</a>
DN 600	<a href="#">96782486</a>			3" (88,9mm)	<a href="#">97918997</a>

\* Dimensions & tolerances according to EN 10255:2004+A1:2007, table 2.

# Transportable stand



Set contains:

- Ring stand
- Bend w. hose connection
- O-ring
- Fastner set



Set contains:

- Ring stand
- Bend w. thread
- O-ring
- Fastner set



Grundfos do not recommend using ring stands for pumps above 11kW.

Grundfos pump Suction/discharge	Hose connection			Thread connection	
	Cast iron	Galvanized	Stainless (EN 1.4404)	Cast iron	Galvanized
DN 65/65 (2½")	96102253			<a href="#">96102379</a>	
DN 65/80 (3")	<a href="#">96102378</a>			<a href="#">96102380</a>	
DN 80/65 (2½")	<a href="#">96102439</a>			<a href="#">96102440</a>	
DN 80/80 (3")	96102254			96102381	
DN 80/100 (4")	96943236			96943237	
DN 100/80 (3")	96102313			<a href="#">96102382</a>	
DN (100-150) /(100/80)*			<a href="#">96898249</a>		
DN 100/100 (4")	96102255			<a href="#">96102383</a>	
DN 100/150 (6")			<a href="#">96898272</a>		
DN 125/125 (5")		<a href="#">96790703</a>			
DN 150/80 (3")		<a href="#">96790702</a>	96898273		
DN 150/100 (4")		<a href="#">96102314</a>	96898274		<a href="#">96102384</a>
DN 150/(125/150) (6")**		<a href="#">96789479</a>	96898275		
DN 150/150 (6")		<a href="#">96102256</a>			<a href="#">96102385</a>
DN (200-250) /200 (8")		<a href="#">96789480</a>	<a href="#">96898277</a>		
DN (200-250) /250 (10")***		<a href="#">96789481</a>			
DN 300/200 (8")		<a href="#">96790704</a>			
DN 300/300 (12")		<a href="#">96790705</a>			

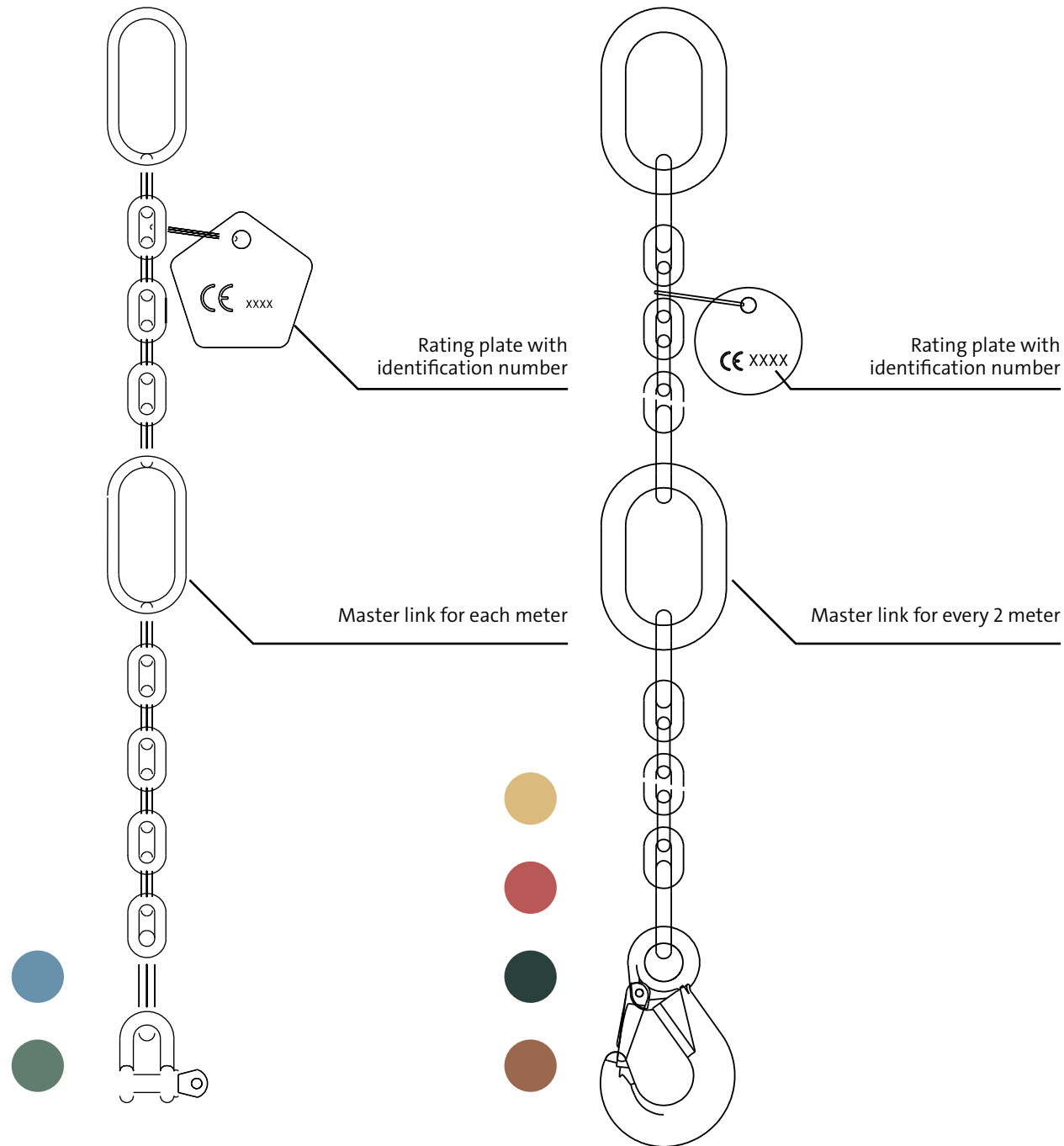
\* (100-150) = Fits suction size DN100 to 150.

\* (100/80) = Fits pump discharge DN100 and hose size DN80.

\*\* (125/150) = Fits pump discharge DN125 and hose size DN150

\*\*\* (200-250) = Fits suction size DN200 to 250.

# Lifting equipment



For safety reasons, Grundfos recommends the use of certified lifting equipment only.

Certified lifting weight	WWL = 320Kg		WWL = 500Kg	
	Hot galvanised	EN1.4571/AISI316Ti	Hot galvanised	EN1.4571/AISI316Ti
2m		<a href="#">98989662</a>		<a href="#">98538174</a>
3m		<a href="#">98989664</a>		<a href="#">98538175</a>
4m		<a href="#">98989666</a>		<a href="#">98538176</a>
6m		<a href="#">98989668</a>		<a href="#">98538177</a>
8m		<a href="#">98989670</a>		<a href="#">98538178</a>
10m		<a href="#">98989672</a>		<a href="#">98538179</a>

Certified lifting weight	WWL = 800Kg		WWL = 2000Kg	
	Hot galvanised	EN1.4571/AISI316Ti	Hot galvanised	EN1.4571/AISI316Ti
2m	<a href="#">98425759</a>	<a href="#">98425796</a>		
3m				
4m	<a href="#">98425760</a>	<a href="#">98425797</a>	<a href="#">98425784</a>	<a href="#">98425801</a>
6m	<a href="#">98425781</a>	<a href="#">98425798</a>	<a href="#">98425785</a>	<a href="#">98425802</a>
8m	<a href="#">98425782</a>	<a href="#">98425799</a>	<a href="#">98425786</a>	<a href="#">98425803</a>
10m	<a href="#">98425783</a>	<a href="#">98425800</a>	<a href="#">98425787</a>	<a href="#">98425804</a>

Certified lifting weight	WWL = 3200Kg		WWL = 8000Kg	
	Hot galvanised	EN1.4571/AISI316Ti	Hot galvanised	EN1.4404/AISI316L
4m	<a href="#">98425788</a>	<a href="#">98425805</a>	<a href="#">98425792</a>	<a href="#">98425809</a>
6m	<a href="#">98425789</a>	<a href="#">98425806</a>	<a href="#">98425793</a>	<a href="#">98425810</a>
8m	<a href="#">98425790</a>	<a href="#">98425807</a>	<a href="#">98425794</a>	<a href="#">98425811</a>
10m	<a href="#">98425791</a>	<a href="#">98425808</a>	<a href="#">98425795</a>	<a href="#">98425812</a>

# Vertical stand



- Set contains:
- Vertical stand
  - 90 Bend
  - Gaskets
  - Fastner set
  - Anchor set



- Set contains:
- Vertical stand
  - Gaskets
  - Fastner set



- Set contains:
- Vertical stand w. bend welded on
  - Gaskets
  - Fastner set
  - Anchor set



Grundfos Pump suction/ Bend flange	Vertical stand w. bend (SE 1,1-11kW)			wo. Bend (S-range < Fr 62)	
	Galvanized	Stainless (EN1.4404)	Stainless (EN1.4539)	Galvanized	Stainless (EN1.4404)
DN 65	96102257*	98420439	98471607		
DN 80	96102258*	98420440	98471608		
DN 80/100	<a href="#">96567174</a>	98420443	98471611		<a href="#">96090101</a>
DN 100	96102259*	98420441	98471609	<a href="#">96308237</a>	<a href="#">96090110</a>
DN 100/125				<a href="#">96094524</a>	<a href="#">96090125</a>
DN 100/150	<a href="#">96567175</a>	98420444	98471612		
DN 125				<a href="#">96094522</a>	<a href="#">96090115</a>
DN 150	96102260*	98420442	98471610	<a href="#">96308238</a>	<a href="#">96835614</a>
DN 150/200	<a href="#">96567176</a>	98420445	98471613		
DN 200				<a href="#">96094523</a>	<a href="#">96090119</a>
DN 250				<a href="#">96094525</a>	<a href="#">96090132</a>
DN 300				<a href="#">96308239</a>	

\*welded

For suction Bends, please see page 19



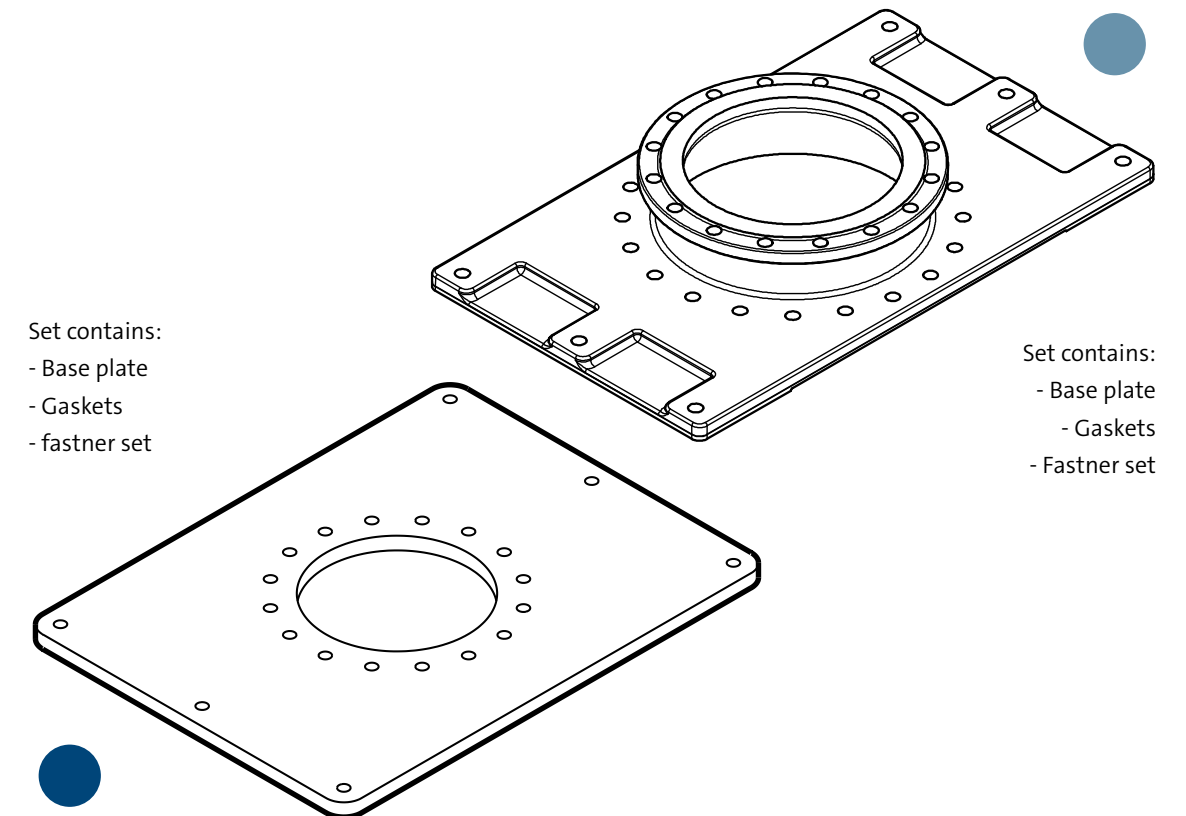
# Base plates



## DESIGN RECOMMENDATIONS FOR CONCRETE FOUNDATION

To ensure optimal performance, please refer to the 'Wastewater engineering manual 2,' section 3.4.2 Foundation for vertical submersible dry-pit sewage pumps, available from:

<https://www.grundfos.com/solutions/learn/research-and-insights/get-the-wastewater-engineering-manual-2-for-large-pumping-stations>



Set contains:  
 - Base plate  
 - Gaskets  
 - fastner set

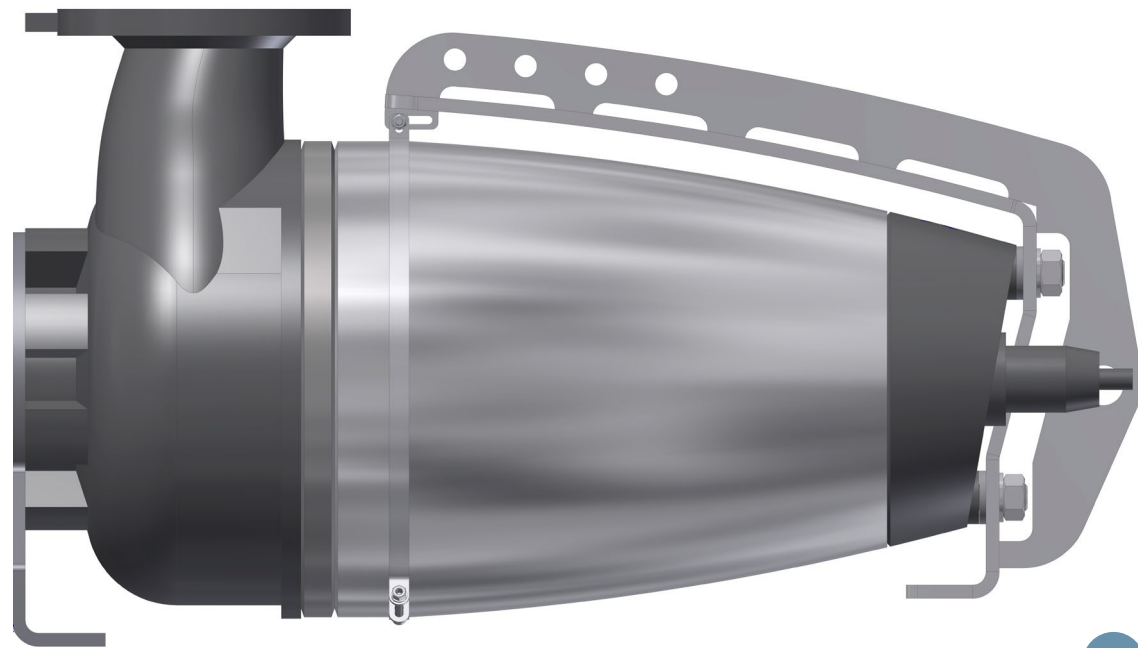
Set contains:  
 - Base plate  
 - Gaskets  
 - Fastner set

Grundfos pump	Base plate for dry vertical installation		
	Standard steel plate version	For Fr 72-74	For Fr 78
DN100	92837287		
DN150	92837293		
DN200	92837295		
DN 250	<a href="#">96308240</a>		
DN 300	<a href="#">96308241</a>		
DN 400		<a href="#">96256023</a>	
DN 500	<a href="#">96308245</a>	<a href="#">96256024</a>	97500283
DN 600	<a href="#">96256025</a>		
DN 800			97500287
	Expanding cast iron version		
DN 400*		<a href="#">96308244</a>	

\*Expanding pipe connection DN500 (Fr. 70 only)

For suction Bends, please see page 19

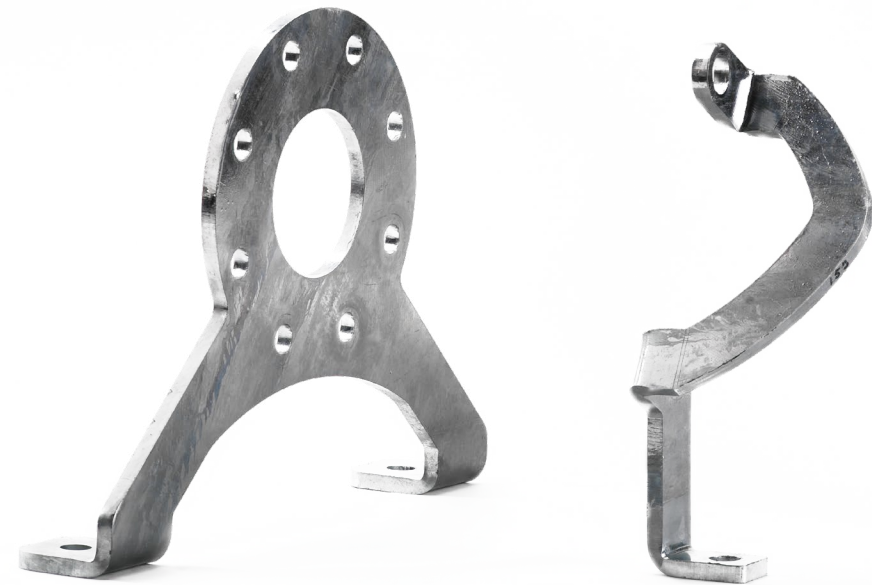
# Horizontal brackets



Grundfos pump	Horizontal brackets			w. lifting handle
Suction flange	Galvanized	Stainless (EN1.4404)	Duplex stainless (EN1.4539)	Stainless (EN1.4404)
DN 65 (Frame B)	99451462	98433369	98471833	98902621
DN 65 (Frame C)	99451490	98433370	98471836	98902623
DN 80 (Frame B)	99451456	98433363	98471838	98902622
DN 80 (Frame C)	99451488	98433365	98471840	98902625
DN 80 (Frame D)	99451492	98433372	98471841	98902628
DN 100 (Frame B)	99451460	98433366	98471843	98902622
DN 100 (Frame C)	99451485	98433364	98471845	98902625
DN 100 (Frame D)	99451504	98433367	98471846	98902628
DN 150 (Frame C)	99451491	98433371	98471849	98902626
DN 150 (Frame D)	99451507	98433368	98471852	98902630

All sets contain fastner set and gaskets.

Motor frame size	2-pole motor	4-pole motor
Frame size B	1,1kW - 3kW	1,1kW - 2,2kW
Frame size C	4kW - 7,5kW	3kW - 5,5kW
Frame size D	9,2kW - 11kW	7,5kW



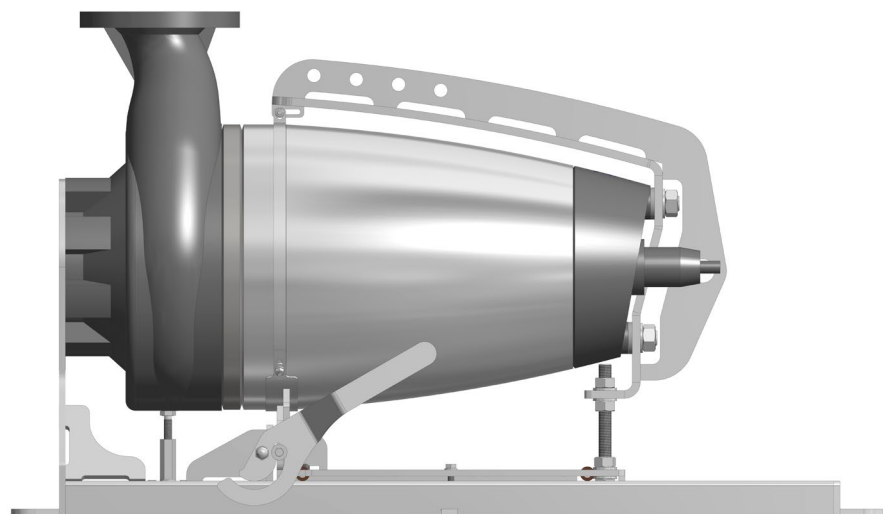


# Horizontal Stand



Grundfos pump	Horizontal stand for SE/SL 9-30kW	S-range up to frame 78	
Suction flange	Epoxy-coated steel stand	Coated steel	Stainless/special
DN 100	99867046	Included in H version	On request
DN 150	99867050	Included in H version	On request
DN 200	99867461	Included in H version	On request
DN 250	99867462	Included in H version	On request
DN 300	99867474	Included in H version	On request
DN 400		Included in H version	On request
DN 500		Included in H version	On request
DN 600		Included in H version	On request
DN 800		Included in H version	On request

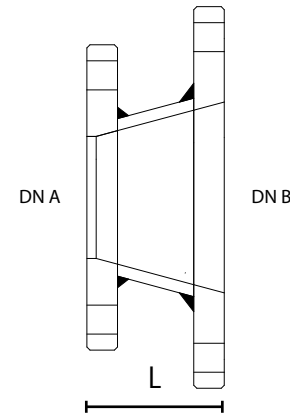
All sets contain fastner set and gaskets.



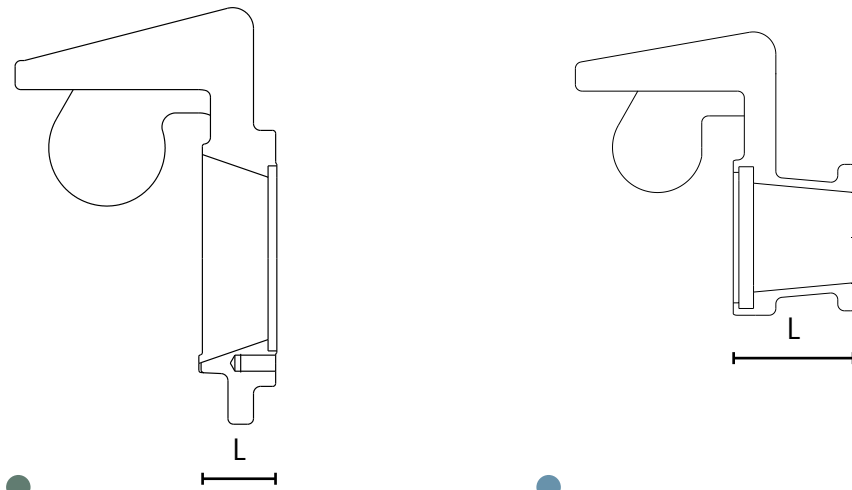
Pump to be installed									Service sledge
Product type	Free pas-sage	Discharge size	Power	Poles	Frequency	Power Unit	Discharge std.	Type key	Part no.
SE Sledge // Frame size B // SE1.50.2.2-3.2.50 DIN									98827089
SE1	50	65	22	2	50	kW	DIN	SE sledge SE1.50.65.2.2.50 DIN	
SE1	50	65	30	2	50	kW	DIN	SE sledge SE1.50.65.3.2.50 DIN	
SE1	50	80	22	2	50	kW	DIN	SE sledge SE1.50.80.2.2.50 DIN	
SE1	50	80	30	2	50	kW	DIN	SE sledge SE1.50.80.3.2.50 DIN	
SE Sledge // Frame size B // SEV.65.2.SE1.80.4.50 DIN									98902585
SEV	65	65	22	2	50	kW	DIN	SE sledge SEV.65.65.2.2.50 DIN	
SEV	65	65	3	2	50	kW	DIN	SE sledge SEV.65.65.0.3.2.50 DIN	
SEV	65	80	22	2	50	kW	DIN	SE sledge SEV.65.80.2.2.50 DIN	
SEV	65	80	3	2	50	kW	DIN	SE sledge SEV.65.80.0.3.2.50 DIN	
SE1	80	80	15	4	50	kW	DIN	SE sledge SE1.80.80.1.5.4.50 DIN	
SE1	80	80	22	4	50	kW	DIN	SE sledge SE1.80.80.2.2.4.50 DIN	
SE1	80	100	15	4	50	kW	DIN	SE sledge SE1.80.100.1.5.4.50 DIN	
SE1	80	100	22	4	50	kW	DIN	SE sledge SE1.80.100.2.2.4.50 DIN	
SE Sledge // Frame size B // SEV.80.80.4.50 DIN									98902589
SEV	80	80	11	4	50	kW	DIN	SE sledge SEV.80.80.1.1.4.50 DIN	
SEV	80	80	13	4	50	kW	DIN	SE sledge SEV.80.80.1.3.4.50 DIN	
SEV	80	80	15	4	50	kW	DIN	SE sledge SEV.80.80.1.5.4.50 DIN	
SEV	80	80	22	4	50	kW	DIN	SE sledge SEV.80.80.2.2.4.50 DIN	
SEV	80	100	11	4	50	kW	DIN	SE sledge SEV.80.100.1.1.4.50 DIN	
SEV	80	100	13	4	50	kW	DIN	SE sledge SEV.80.100.1.3.4.50 DIN	
SEV	80	100	15	4	50	kW	DIN	SE sledge SEV.80.100.1.5.4.50 DIN	
SEV	80	100	22	4	50	kW	DIN	SE sledge SEV.80.100.2.2.4.50 DIN	
SE Sledge // Frame size C // SE1.50.4.2.50 DIN									98827090
SE1	50	65	40	2	50	kW	DIN	SE sledge SE1.50.65.4.2.50 DIN	
SE1	50	65	40	2	50	kW	DIN	SE sledge SE1.50.65.4.2.50 DIN	
SE Sledge // Frame size C // SEV.65.4.2.50 DIN									98902602
SEV	65	65	40	2	50	kW	DIN	SE sledge SEV.65.65.4.2.50 DIN	
SEV	65	80	40	2	50	kW	DIN	SE sledge SEV.65.80.4.2.50 DIN	
SE Sledge // Frame size C // SEV.80.SE1.80.50 DIN									98902603
SEV	80	80	40	4	50	kW	DIN	SE sledge SEV.80.80.4.4.50 DIN	
SEV	80	80	40	2	50	kW	DIN	SE sledge SEV.80.80.4.2.50 DIN	
SEV	80	80	60	2	50	kW	DIN	SE sledge SEV.80.80.6.2.50 DIN	
SEV	80	80	75	2	50	kW	DIN	SE sledge SEV.80.80.7.5.2.50 DIN	
SEV	80	100	40	4	50	kW	DIN	SE sledge SEV.80.100.4.4.50 DIN	
SEV	80	100	40	2	50	kW	DIN	SE sledge SEV.80.100.4.2.50 DIN	
SEV	80	100	60	2	50	kW	DIN	SE sledge SEV.80.100.6.2.50 DIN	
SEV	80	100	75	2	50	kW	DIN	SE sledge SEV.80.100.7.5.2.50 DIN	
SE1	80	80	30	4	50	kW	DIN	SE sledge SE1.80.80.3.4.50 DIN	
SE1	80	80	40	4	50	kW	DIN	SE sledge SE1.80.80.4.4.50 DIN	
SE1	80	80	55	4	50	kW	DIN	SE sledge SE1.80.80.5.4.50 DIN	
SE1	80	100	30	4	50	kW	DIN	SE sledge SE1.80.100.3.4.50 DIN	
SE1	80	100	40	4	50	kW	DIN	SE sledge SE1.80.100.4.4.50 DIN	
SE1	80	100	55	4	50	kW	DIN	SE sledge SE1.80.100.5.4.50 DIN	
SE Sledge // Frame size C // SEV.100.100.50 DIN									98902606
SEV	100	100	40	4	50	kW	DIN	SE sledge SEV.100.100.4.4.50 DIN	
SEV	100	100	40	4	50	kW	DIN	SE sledge SEV.100.100.4.4.50 DIN	
SEV	100	100	60	4	50	kW	DIN	SE sledge SEV.100.100.6.4.50 DIN	
SE Sledge // Frame size C // SE1.100.100.4.50 DIN									98902607
SE1	100	100	40	4	50	kW	DIN	SE sledge SE1.100.100.4.4.50 DIN	
SE1	100	100	55	4	50	kW	DIN	SE sledge SE1.100.100.5.4.50 DIN	
SE1	100	150	40	4	50	kW	DIN	SE sledge SE1.100.150.4.4.50 DIN	
SE1	100	150	55	4	50	kW	DIN	SE sledge SE1.100.150.5.4.50 DIN	
SE Sledge // Frame size D // SEV.80.SE1.80.50 DIN									98827091
SEV	80	80	92	2	50	kW	DIN	SE sledge SEV.80.80.9.2.2.50 DIN	
SEV	80	80	110	2	50	kW	DIN	SE sledge SEV.80.80.11.2.50 DIN	
SEV	80	100	110	2	50	kW	DIN	SE sledge SEV.80.100.11.2.50 DIN	
SEV	80	100	110	2	50	kW	DIN	SE sledge SEV.80.100.11.2.50 DIN	
SE1	80	80	75	4	50	kW	DIN	SE sledge SE1.80.80.7.5.4.50 DIN	
SE1	80	100	75	4	50	kW	DIN	SE sledge SE1.80.100.7.5.4.50 DIN	
SE Sledge // Frame size D // SEV.100.75.4.50 DIN									98902608
SEV	100	100	75	4	50	kW	DIN	SE sledge SEV.100.100.7.5.4.50 DIN	
SE Sledge // Frame size D // SE1.100.75.4.50 DIN									98902609
SE1	100	100	75	4	50	kW	DIN	SE sledge SE1.100.100.7.5.4.50 DIN	
SE1	100	150	75	4	50	kW	DIN	SE sledge SE1.100.150.7.5.4.50 DIN	

All sets contain fastner set and gaskets. Only for 50Hz pumps.

# Fittings and Adapters

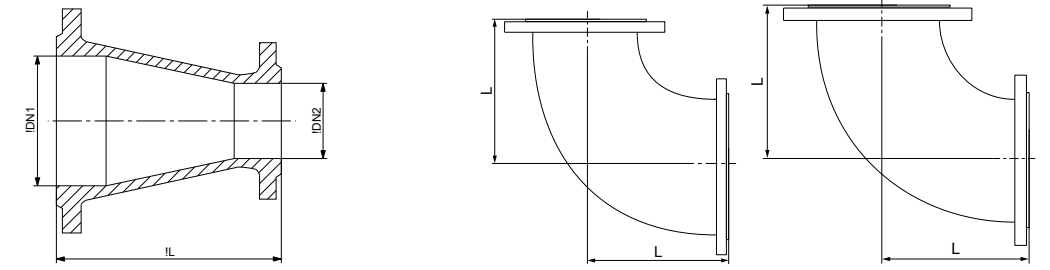


Grundfos adaptor	Fits to	
	SE/SL	
DN A/B	L[mm]	PN
DN 80/125	90	97983536
DN 100/125	90	99032853



Discharge	Fits to			
	SE/SL		DPK	
Pump/base unit	L[mm]	PN	L[mm]	PN
DN 80			28	99133495
DN 80/100			108	99133496
DN 100/150	64	<a href="#">96611613</a>		
DN 100/150 (FKM)	64	96659183		

All guide claw set contain fastern set and gaskets.



Grundfos fittings	Flanged taper Coated cast iron		90deg bend Coated cast iron		
	DN 1/DN 2	L [mm]	PN	L [mm]	PN
DN 50					
DN 50/65	190	<a href="#">99134840</a>			
DN 50/80	185	<a href="#">99134841</a>			
DN 65					
DN 65/80	190	<a href="#">99134842</a>			
DN 65/100	195	<a href="#">99135003</a>			
DN 80			165		99035995
DN 80/100	200	<a href="#">99135004</a>	200		99036004
DN 80/125	185	<a href="#">99135005</a>			
DN 100			180		99035996
DN 100/125	185	<a href="#">99135006</a>			
DN 100/150	190	<a href="#">99135007</a>	250		99036005
DN 125					
DN 125/150	190	<a href="#">99135008</a>	250		99036006
DN 125/200	235	<a href="#">99135009</a>			
DN 150			220		99035997
DN 150/200	235	<a href="#">99135010</a>	300		99036007
DN 150/250	250	<a href="#">99135011</a>			
DN 200			260		99026266
DN 200/250	250	<a href="#">99135012</a>	350		99036008
DN 200/300	265	<a href="#">99135043</a>	400		99036009
DN 200/400			500		99036010
DN 250			350		99035998
DN 250/300	265	<a href="#">99135044</a>	400		99036011
DN 250/350	290	<a href="#">99135045</a>	450		99036012
DN 250/400			500		99036013
DN 300			400		99035999
DN 300/400			500		99036014
DN 400			500		99036000
DN 400/500			600		99036015
DN 500			500		99036001
DN 500/600			700		99031225
DN 600			700		99036002
DN 800			900		99036003



# Electrical equipment



Float switches				
Part number	Cable length	Cable sheath	Approval(s)	Package inc. Wall hanger
<a href="#">99911624</a>	10	Neoprene	CE	No
<a href="#">99911648</a>	20	Neoprene	CE	No
<a href="#">99911650</a>	30	Neoprene	CE	No
<a href="#">99023672</a>	10	TML-B	CE,ACS	No
<a href="#">99023669</a>	20	TML-B	CE,ACS	No
<a href="#">96003421</a>	10	TPK-PVC	CE,EAC,ATEX	No
<a href="#">96003536</a>	20	TPK-PVC	CE,EAC,ATEX	No
<a href="#">91072782</a>	30	TPK-PVC	CE,EAC,ATEX	No
<a href="#">96736324</a>	40	TPK-PVC	CE,EAC,ATEX	No
<a href="#">62500016</a>	10	TPK-PVC	CE,EAC,ATEX	Yes - inc. 2 float switches
<a href="#">62500017</a>	10	TPK-PVC	CE,EAC,ATEX	Yes - inc. 3 float switches
<a href="#">62500018</a>	10	TPK-PVC	CE,EAC,ATEX	Yes - inc. 4 float switches
<a href="#">96003332</a>	10	TPK-PVC	CE,EAC	No
<a href="#">96003695</a>	20	TPK-PVC	CE,EAC	No
<a href="#">91073205</a>	30	TPK-PVC	CE,EAC	No
<a href="#">99599041</a>	40	TPK-PVC	CE,EAC	No
<a href="#">97534887</a>	50	TPK-PVC	CE,EAC	No
<a href="#">62500013</a>	10	TPK-PVC	CE,EAC	Yes - inc. 2 float switches
<a href="#">62500014</a>	10	TPK-PVC	CE,EAC	Yes - inc. 3 float switches
<a href="#">62500015</a>	10	TPK-PVC	CE,EAC	Yes - inc. 4 float switches

Level transmitter - pressure					
Part number	Measuring range [m/H2O]	cable length [m]	Signal output [mA]	Approval(s)	Duty
<a href="#">99488553</a>	0-2	10	5-20	CE,ACS	Normal
<a href="#">99488544</a>	0-3	10	5-20	CE	Normal
<a href="#">99488574</a>	0-4	10	5-20	CE	Normal
<a href="#">99488545</a>	0-5	10	5-20	CE	Normal
<a href="#">99488576</a>	0-6	10	5-20	CE	Normal
<a href="#">99488552</a>	0-10	25	5-20	CE	Normal
<a href="#">99431205</a>	0-5	10	5-20	CE,EAC,ATEX	Normal
<a href="#">99113184</a>	0-5	25	5-20	CE,EAC,ATEX	Normal
<a href="#">99488550</a>	0-5	25	5-20	CE	Heavy duty

Level transmitter - pressure accessories		
Part number	Description	Usage
<a href="#">92538255</a>	Level Tr. cable hanger	Cable suspension
<a href="#">99488579</a>	Level Tr. Ex. Barrier for 4 to 20mA	EX installations with analog sensor
<a href="#">99488577</a>	Level Tr. junction box	Extension of sensor cable with pressure compensator



# Grundfos LC level controllers



**LC 231**  
A compact solution complete with certified motor protection

## EASY TO SET-UP, CONFIGURE AND CONNECT FOR SMART LEVEL CONTROL OF YOUR WASTEWATER, BUILDING OR TANK APPLICATION

Designed for installations with one or two pumps, the Grundfos LC level controller is ideal for emptying and filling related to small wastewater transport, commercial buildings and tank-filling applications.

The controller is equipped with predefined settings to fit these applications for an easier and quicker start-up in the specific application. The controller can support up to five control levels for both analogue level transmitter or float switch operation.

Start and stop signals are used for normal operation, and the optional dry-run signal will protect the pumps from dry running. The controller can run in two modes: EMPTYING or FILLING. For emptying applications, if the tank or pit is completely filled, the controller will run all pumps to empty. For filling applications, the opposite applies; if the tank is full, the pumps will not run.

Grundfos LC level controllers are available in two variants:  
LC 231 – a compact solution complete with certified motor protection  
LC 241 – a cabinet solution offering modularity and customisation.



**LC 241**  
A cabinet solution offering modularity and customisation

## UNIQUELY CONFIGURABLE INPUT/OUTPUT TERMINALS AND HIGHLY INTUITIVE USER INTERFACE

The controller is equipped with Grundfos configurable input/output terminals, giving full flexibility for all applications. Daily control, supervision and commissioning is straightforward with the intuitive and easy-to-use user interface. This saves you valuable time when getting started, and in your daily interaction with pumps and the controller.

The controller integrates seamlessly into the Grundfos range of communication modules, ensuring an easy fit into any supervisory system such as SCADA or Grundfos CLOUD Solution.

Find the LC controller for your need on [Grundfos.com](http://Grundfos.com)

# Grundfos Dedicated controller



**CU 362 - Dedicated Controls.**  
Advanced wastewater control made easy, solving complex challenges

## FULL CONTROL FROM ANYWHERE.

Dedicated Controls is an intelligent monitoring and control solution developed specifically for network pumping stations and commercial buildings.

They are designed to control up to six pumps in sewage pumping stations. This makes them an excellent choice for mains systems, commercial buildings, and similar applications.

### Dedicated Controls at a glance

With their integrated control and communication options, the Dedicated Controls solutions expand the scope of the Grundfos controls range. Here are some of the main features:

- ENERGY REDUCING**  
To ensure the lowest possible specific energy consumption (kwh/m<sup>3</sup>), Dedicated Controls continuously learns and adapts to duty conditions in the specific pumping system. The controller immediately adapts pump speed in response to data from the frequency drive (Grundfos CUE) and a flowmeter. Specific energy consumption can also be provided by the electronic motor protection (Grundfos MP 204). This gives a continuous overview of pumping efficiency, enabling timely service and maintenance of pumps and mains.
- ANTI-BLOCKING**  
The “Flush and reverse” function prevents clogging caused by the increasing amounts of the fibrous component and solids in sewage today. The anti-blocking function acts on any abnormal events to stop pumps from blocking, avoiding costly downtime.
- FLEXIBILITY FOR LOCAL ADAPTION**  
Dedicated Controls has a number of free input/outputs for extra sensor inputs (e.g. temperature sensors) or extra relay outputs (e.g. valve operation). Set-up is highly intuitive via the large display or via Grundfos pc tool, and no extra programming is required.

Find the DC controller for your need on [Grundfos.com](http://Grundfos.com)



**Grundfos Holding A/S**  
Poul Due Jensens Vej 7  
DK-8850 Bjerringbro  
Tel: +45 87 50 14 00  
[www.grundfos.com](http://www.grundfos.com)

