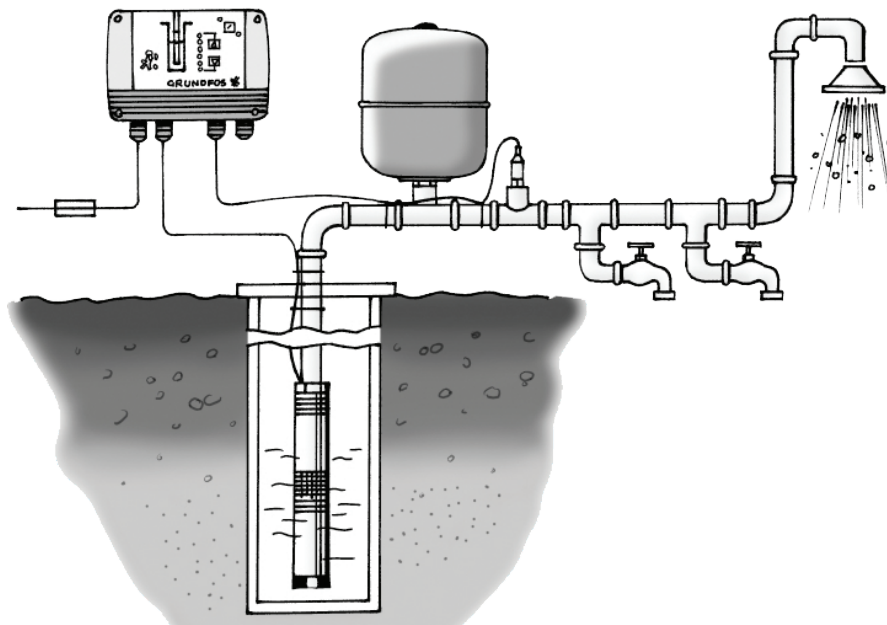


# CU 301

Installation and operating instructions



**CU 301**

**Installation and operating instructions**

(all available languages)

<http://net.grundfos.com/qr/i/99406808>



## CU 301

---

### **English (GB)**

Installation and operating instructions . . . . . 4

### **Español (ES)**

Instrucciones de instalación y funcionamiento. . . . . 30

### **Français (FR)**

Notice d'installation et de fonctionnement. . . . . 58

# English (GB) Installation and operating instructions

## Original installation and operating instructions

### Table of contents

<b>1.</b>	<b>General information</b> . . . . .	<b>4</b>
1.1	Hazard statements . . . . .	4
1.2	Notes . . . . .	4
<b>2.</b>	<b>Installing the product</b> . . . . .	<b>5</b>
2.1	Mechanical installation . . . . .	5
2.2	Electrical connection . . . . .	6
2.3	Positioning the pressure sensor . . . . .	7
2.4	Precharge pressure setting . . . . .	8
2.5	Pressure relief valve . . . . .	8
<b>3.</b>	<b>Product introduction</b> . . . . .	<b>8</b>
3.1	Product description . . . . .	8
3.2	System sizing . . . . .	11
3.3	Intended use . . . . .	12
<b>4.</b>	<b>Control functions</b> . . . . .	<b>13</b>
4.1	On/off button . . . . .	13
4.2	Indication of pump operation . . . . .	13
4.3	Pressure setting . . . . .	14
4.4	Button locking . . . . .	14
4.5	Alarm functions . . . . .	14
4.6	Service alarm . . . . .	15
4.7	Dry-running protection . . . . .	15
4.8	Position of LEDs . . . . .	16
4.9	Grundfos GO Remote menu overview . . . . .	17
<b>5.</b>	<b>Setting the product</b> . . . . .	<b>18</b>
5.1	CU 301 with Grundfos GO Remote . . . . .	18
5.2	Status . . . . .	18
5.3	Settings . . . . .	19
<b>6.</b>	<b>Servicing the product</b> . . . . .	<b>22</b>
<b>7.</b>	<b>Fault finding the product</b> . . . . .	<b>23</b>
7.1	Fault finding with Grundfos GO Remote . . . . .	23
<b>8.</b>	<b>Technical data</b> . . . . .	<b>27</b>
<b>9.</b>	<b>Disposing of the product</b> . . . . .	<b>29</b>
<b>10.</b>	<b>Document quality feedback</b> . . . . .	<b>29</b>

## 1. General information



Read this document before you install the product. Installation and operation must comply with local regulations and accepted codes of good practice.

## 1.1 Hazard statements

The symbols and hazard statements below may appear in Grundfos installation and operating instructions, safety instructions and service instructions.



### DANGER

Indicates a hazardous situation which, if not avoided, will result in death or serious personal injury.



### WARNING

Indicates a hazardous situation which, if not avoided, could result in death or serious personal injury.



### CAUTION

Indicates a hazardous situation which, if not avoided, could result in minor or moderate personal injury.

The hazard statements are structured in the following way:



### SIGNAL WORD

#### Description of the hazard

Consequence of ignoring the warning

- Action to avoid the hazard.

## 1.2 Notes

The symbols and notes below may appear in Grundfos installation and operating instructions, safety instructions and service instructions.



Observe these instructions for explosion-proof products.



A blue or grey circle with a white graphical symbol indicates that an action must be taken.



A red or grey circle with a diagonal bar, possibly with a black graphical symbol, indicates that an action must not be taken or must be stopped.



If these instructions are not observed, it may result in malfunction or damage to the equipment.



Tips and advice that make the work easier.

## 2. Installing the product

### DANGER

#### Electric shock

Death or serious personal injury



- Before starting any work on the product, make sure that the power supply has been switched off and that it cannot be accidentally switched on.
- Use the recommended fuse size.
- Check that the supply voltage corresponds to the values stated on the nameplate.
- The user or the installer is responsible for correct earthing and protection according to local regulations.

## 2.1 Mechanical installation

You can install CU 301 both indoors and outdoors. The control unit must not be exposed to direct sunlight.

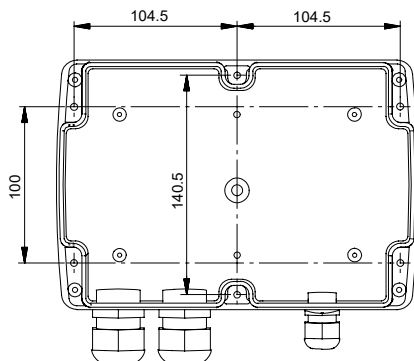
### 2.1.1 Mounting CU 301

CU 301 is designed for wall mounting. The box has six mounting holes ( $\varnothing 4$ ). See fig. *Dimensions*. The dimensions are in mm.

CU 301 must be mounted as follows:

- Horizontally to allow condensed water, if any, to escape. See fig. *Dimensions*.

On a plane surface to avoid deformation of the box.



#### *Dimensions*

CU 301 is supplied with special gaskets for the Pg cable entries. The special gaskets are suitable for flat cables and single-core cables.

## 2.2 Electrical connection

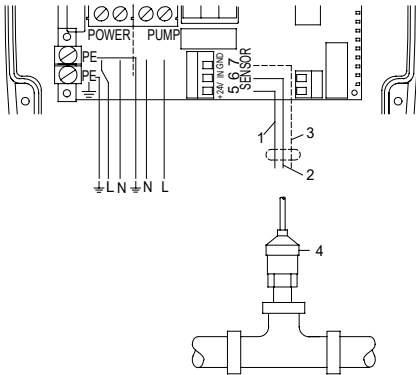
For recommended fuse sizes. See section 8. *Technical data*.

CU 301 has two terminal blocks:

- Screw terminals 1 to 4.
- Spring terminals 5 to 7.

Furthermore, CU 301 is equipped with two screw terminals for the protective-earth conductors (PE).

The on/off button on CU 301 must not be used as a safety switch when installing and servicing the pump.



Electrical connection of CU 301

### Legend

Pos.	Description
1	Standard pressure sensor. + 24 VDC, brown conductor, terminal 5.
2	Standard pressure sensor. Input signal, black conductor, terminal 6.
3	Standard pressure sensor. Screen, terminal 7.
4	Standard pressure sensor.

### Related information

8. *Technical data*

### 2.2.1 Mains supply

#### POWER, terminals 1, 2 and PE

Connect terminals 1 and 2 to the phase and neutral conductors of the mains supply. Each terminal can be connected to any of the two conductors.

Connect the PE terminal to the green and yellow earth conductor. Each PE terminal must be connected to an earth conductor of its own.

Maximum cross-section of the conductors to be connected is 6 mm<sup>2</sup>.

Back-up fuse: Maximum 16 A.



The conductors of the mains supply must not be connected to terminals 3 and 4 (PUMP).

### 2.2.2 Pump supply

#### PUMP, terminals 3, 4 and PE

Connect terminals 3 and 4 to the phase and neutral conductor of the pump. Each terminal can be connected to any of the two conductors.

Connect the PE terminal to the green and yellow earth conductor. Each PE terminal must be connected to an earth conductor of its own.

Maximum cross-section of the conductors to be connected is 6 mm<sup>2</sup>.

#### Pressure sensor

#### DANGER

#### Electric shock

Death or serious personal injury

- The total load of terminal 5, +24 VDC, must not exceed 100 mA.



#### SENSOR, terminals 5, 6 and 7:

Terminals 5, 6 and 7 (SENSOR) are used for the pressure sensor.

Sensor signals:

The sensor to be connected must give signals within one of the following ranges:

- 0-10 V.
- 2-10 V.
- 0-20 mA.
- 4-20 mA.

Changeover between current and voltage signals is carried out by means of Grundfos GO Remote.

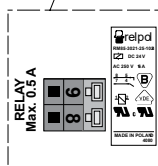
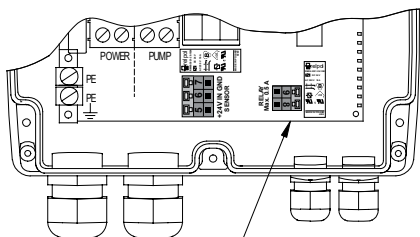
## Operating relay

### RELAY, terminals 8 and 9:

Terminals 8 and 9 (RELAY) are used for the connection of an external signal transmitter (sound or light).

The operating relay is a normally open (NO) contact when the pump is not running, and closes while the pump is running.

- Maximum current: 0.5 A.
- Maximum voltage: 230 VAC.

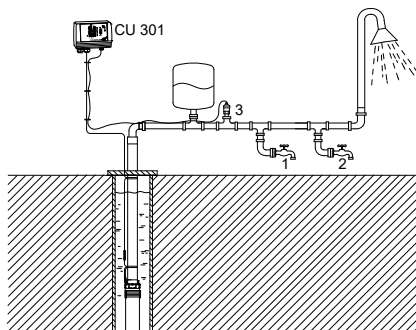


Electrical connection of the operating relay

TM070764

## 2.3 Positioning the pressure sensor

Pressure losses often cause inconvenience to the user. CU 301 keeps the pressure constant in the place where the pressure sensor is positioned.



TM017862

Pressure sensor position

Pos.	Description
1	Tap 1
2	Tap 2
3	Pressure sensor

In fig. *Pressure sensor position*, tap 1 is placed close to the pressure sensor. Therefore, the pressure is kept nearly constant at tap 1, as the friction loss is small. At the shower and tap 2, the friction loss is bigger. This, of course, depends on the pipes. However, old and furred-up pipes may cause inconvenience due to friction loss.

**Example:** A person is in the shower. Tap 2 is opened. The increased flow causes pressure loss in the pipe, and even though CU 301 is keeping the pressure constant at the pressure sensor, the person in the shower feels the pressure loss.

If the pressure sensor is placed closer to the shower tap, CU 301 increases the pressure when the flow rate is increased. Then the pressure at the shower and tap 2 is kept constant, but the pressure at tap 1 is increased.

We recommend that the pressure sensor is positioned as close to the places of consumption as possible.

### Related information

[7.1 Fault finding with Grundfos GO Remote](#)

## 2.4 Precharge pressure setting

The precharge pressure of the diaphragm tank must be set to 70 % of the pressure setting in order to use the tank to the limit of its capacity. This is of course especially important when the tank volume is limited to 8 litres.

Use the values in the following table:

Setting [bar]	Precharge pressure [bar]
2	1.4
2.5	1.8
3	2.1
3.5	2.5
4	2.8
4.5	3.2
5	3.5

If the precharge pressure is higher than the pressure setting, the system is not able to control the pressure.

If the user wants to adjust the pressure without changing the precharge pressure of the diaphragm tank, the precharge pressure must be equal to the lowest pressure setting used. This means that the control works but that the pressure fluctuations might increase. In such cases, we recommend that you use a larger diaphragm tank, for example a tank of double size.

## 2.5 Pressure relief valve

In order to provide protection against the possibility of an overpressurization, a pressure relieve valve must be installed down stream of the well head. The setpoint of the pressure relief valve must be at least 30 psi above the pressure setting. See section [5. Setting the product.](#)

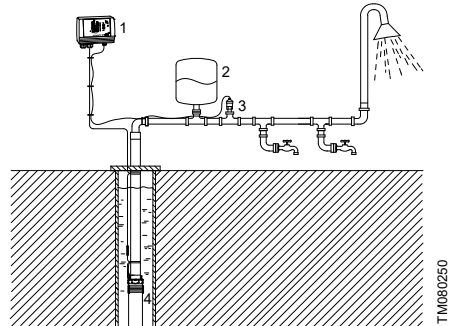
If a relief valve is installed, we recommend that its outlet is plumbed into an appropriate drainage point.

## 3. Product introduction

### 3.1 Product description

The system maintains a constant pressure within the maximum pump performance in spite of a varying water consumption.

Figure *Example installation* shows an example of an installation with constant-pressure control.



*Example installation*

Pos.	Description
1	CU 301
2	Diaphragm tank
3	Pressure sensor
4	SQE pump

The pressure is registered by means of the pressure sensor, which transmits a signal to CU 301. CU 301 adjusts the pump performance accordingly by changing the pump speed.

### Mains borne signalling

The communication between CU 301 and the pump is effected via the power cable.

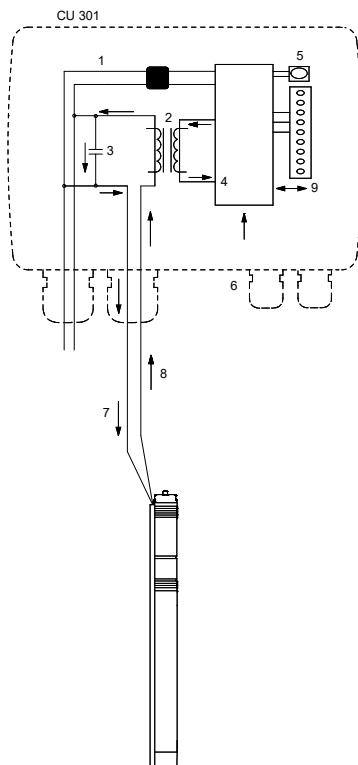
This communication principle is called mains borne signalling, or power line communication. Using this principle means that no additional cables to the pump are required.

The communication of data is effected by means of a high-frequency signal transmitted to the power cable and led into the electronics unit by means of signal coils incorporated in the motor and CU 301 respectively.

In situations where multiple CU 301 pump power cables are run parallel in wiring trays or conduit and less than 25-30 cm apart, the possibility for undesired communication between units exists. When this occurs, intermittent or continuous "No contact" is typically seen. Other unexpected errors may also be seen.



Figure *Principle of mains borne signalling (power line communication)* shows the principle of mains borne signalling between CU 301 and the pump.



*Principle of mains borne signalling (power line communication)*

Pos.	Description
1	Supply to the electronics
2	Signal coils
3	Capacitor
4	Electronics for the control of the communication
5	On/off button
6	Sensor signal
7	Power supply
8	Communication signals
9	Grundfos GO Remote

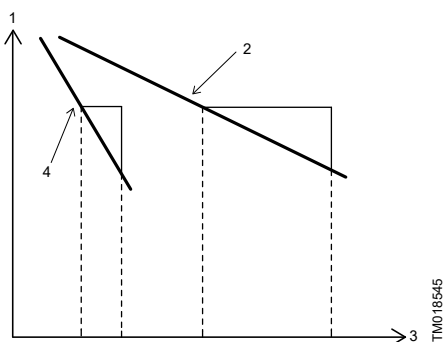
### When does the pump start

The pump starts as a consequence of the following:

- a high flow
- a low pressure
- a combination of both.

To ensure that the pump starts when water is consumed, a flow detection is required. The flow is detected via pressure changes in the system. When water is consumed, the pressure drops accordingly depending on the size of the diaphragm tank and the water flow:

- at a low flow, the pressure drops slowly.
- at a high flow, the pressure drops quickly.



TM018545

Pos.	Description
1	Pressure
2	Low flow
3	Time
4	High flow

When the pressure drops 0.1 bar/s or faster, the pump starts immediately.

If a diaphragm tank of 8 litres is used, the pump starts at a flow rate of approximately 0.18 m<sup>3</sup>/h. If a larger tank is used, the flow must be higher before the pump starts.

### Consumption up to 0.18 m<sup>3</sup>/h

The pump starts when the pressure drops to 0.5 bar below the pressure setting.

The pump runs until the pressure is 0.5 bar above the pressure set.

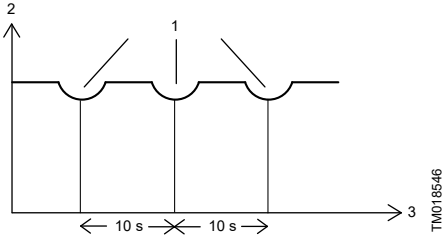
### Flow detection

During pump operation, meaning when water is consumed, CU 301 adjusts the pump speed to maintain a constant pressure. In order to stop the pump when no water is consumed, CU 301 performs flow detection every 10 seconds.

TM070660

The pump speed is reduced until a small pressure drop is registered. This pressure drop indicates that water is consumed and the pump speed is resumed. See fig. *Flow detection every 10 seconds during operation*.

If the pump speed reduces without any pressure drop being registered, this indicates that no water is consumed. The diaphragm tank is filled with water and the pump stops.



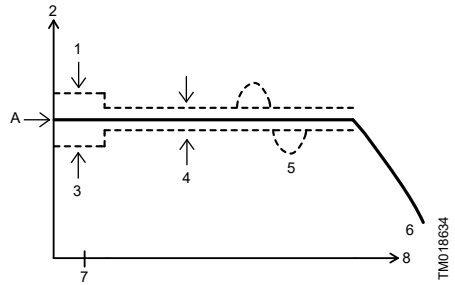
*Flow detection every 10 seconds during operation*

Pos.	Description
1	Flow detection
2	Pressure
3	Time

### System limits

Even though, CU 301 controls the pressure within  $\pm 0.2$  bar, bigger pressure variations may occur in the system. If the consumption is suddenly changed, for example if a tap is opened, the water must start flowing before the pressure can be made constant again. Such dynamic variations depend on the pipes, but, typically, they will lie between 0.5 and 1 bar.

If the desired consumption is higher than the quantity the pump is able to deliver at the desired pressure, the pressure follows the pump curve as illustrated in fig. *Possible pressure variations during constant-pressure operation*.



*Possible pressure variations during constant-pressure operation*

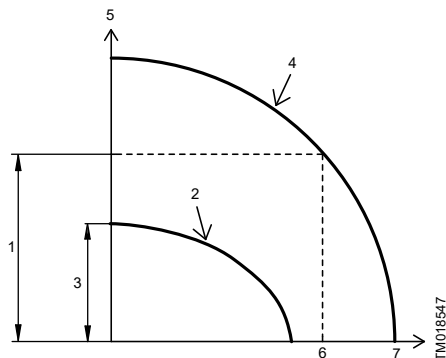
Pos.	Description
1	Stop + 0.5 bar
2	Pressure
3	Start - 0.5 bar
4	Controlling $\pm 0.2$ bar
5	Dynamic variations $\pm 0.5$ bar
6	Flow
7	0.18
8	$\text{m}^3/\text{h}$
A	Pressure set

### 3.2 System sizing

To ensure the correct function of the system, it is important that the pump is of the right type.

During operation, CU 301 controls the pump speed within the range from  $3000 \text{ min}^{-1}$  to  $10,700 \text{ min}^{-1}$ . See fig. [Pump curves](#).

We recommend that you follow the guidelines below:



*Pump curves*

Pos.	Description
1	Max. head at max. flow
2	Pump curve at $3000 \text{ min}^{-1}$
3	Min. head at no flow
4	Pump curve at $10,700 \text{ min}^{-1}$
5	H [m]
6	$Q_{\text{max}}$
7	Q [ $\text{m}^3/\text{h}$ ]

The following must be fulfilled:

1. Minimum head at no flow < static head + system pressure.
2. Maximum head at maximum flow > dynamic head + system pressure.

Maximum head at maximum flow and minimum head at no flow can be found in the following table:

Pump type	Min. head at Q =	Max. head at Q
	0 m <sup>3</sup> /h,	= Q <sub>max</sub>
	3000 min <sup>-1</sup>	10,700 min <sup>-1</sup>
	[m] / [feet]	[m] / [feet]
SQE 1-35	18 / 59	29 / 86
SQE 1-50	28 / 91	44 / 131
SQE 1-65	37 / 121	59 / 177
SQE 1-80	46 / 151	75 / 222
SQE 1-95	56 / 184	90 / 270
SQE 1-110	65 / 213	105 / 315
SQE 1-125	74 / 243	120 / 360
SQE 1-140	81 / 266	136 / 405
SQE 1-155	92 / 302	151 / 450
SQE 2-35	19 / 62	35 / 105
SQE 2-55	29 / 95	54 / 164
SQE 2-70	38 / 125	71 / 215
SQE 2-85	47 / 154	88 / 267
SQE 2-100	56 / 184	108 / 328
SQE 2-115	66 / 217	128 / 390
SQE 3-30	15 / 49	26 / 75
SQE 3-40	24 / 79	42 / 123
SQE 3-55	31 / 102	56 / 164
SQE 3-65	39 / 128	70 / 205
SQE 3-80	47 / 154	84 / 246
SQE 3-95	55 / 180	98 / 287
SQE 3-105	62 / 203	113 / 328
SQE 5-15	7.7 / 25	11 / 36
SQE 5-25	15 / 49	23 / 77
SQE 5-35	23 / 75	36 / 117
SQE 5-50	30 / 98	48 / 159
SQE 5-60	38 / 125	61 / 200
SQE 5-70	45 / 148	73 / 240
SQE 7-15	8.6 / 28	9 / 33
SQE 7-30	18 / 59	23 / 82
SQE 7-40	27 / 89	37 / 126

#### Related information

[7.1 Fault finding with Grundfos GO Remote](#)

### 3.3 Intended use

#### **DANGER**

#### **Electric shock**

Death or serious personal injury



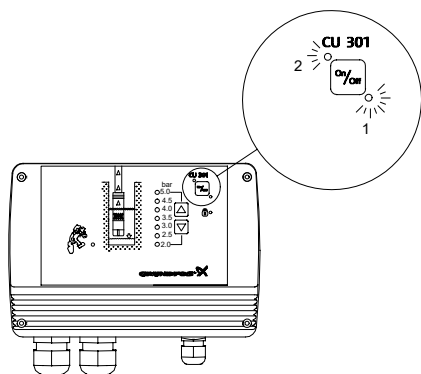
- Install the product horizontally on a flat surface to allow any condensed water inside the product to escape.

CU 301 is for use only with Grundfos SQE pumps incorporating electronic power factor correction (PFC). The system maintains a constant pressure within the maximum pump performance in spite of a varying water consumption. The pressure is registered by means of the pressure sensor, which transmits a 4-20 mA signal to CU 301. CU 301 adjusts the pump performance accordingly to maintain a constant pressure by changing the pump speed. It is possible to connect an operating relay for indication of pump operation. The product is designed for outdoor use.

## 4. Control functions

### 4.1 On/off button

Figure *On/off button* shows the on/off button of CU 301.



*On/off button*

TMO17860

Pos.	Description
1	Red
2	Green

The green and red indicator lights in the on/off button indicate pump operating condition as follows:

Indication	Description
Green indicator light permanently on.	The system is operational.
Green indicator light off.	The system is not operational.
Red indicator light permanently on.	Pump has been stopped by means of the on/off button. *
Red indicator light flashing.	CU 301 is communicating with Grundfos GO Remote.

\* If you use the on/off button to stop the pump, you must also use this button to restart the pump.

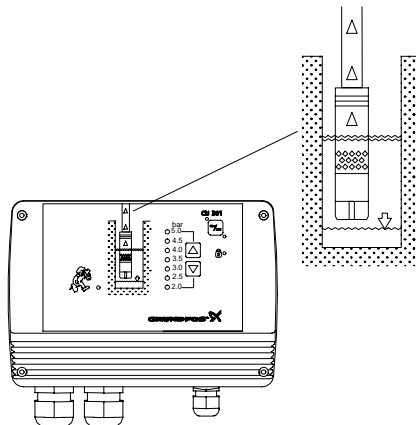
Any alarm indication can be reset by pressing the on/off button.

If you press and hold the on/off button for 5 seconds, the pump starts, irrespective of any active fault or alarm indications. When you release the on/off button, the pump stops.

### 4.2 Indication of pump operation

On the graphical illustration on the CU 301 front, the riser pipe shows running light when the pump is operating.

When the pump is not operating, none of the indicator lights are on.



*Indication of pump operation*

TMO18328

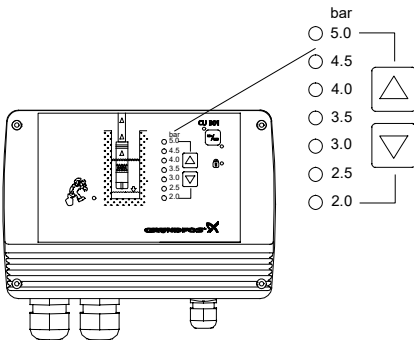
You can change the indicator light settings by using Grundfos GO Remote. See section [5.3.12 Indicator lights](#).

#### Related information

[5.3.12 Indicator lights](#)

### 4.3 Pressure setting

The two arrow buttons on the CU 301 front are used for the pressure setting.



Pressure setting and indication

#### Indication of pressure setting

The system pressure set is indicated by a yellow indicator light, which is permanently on.

Setting range: 2, 2.5 ... 5.0 bar.

#### Arrow-up button

When this button is pressed, the system pressure setting is increased in steps of 0.5 bar.

#### Arrow-down button

When this button is pressed, the system pressure setting is decreased in steps of 0.5 bar.

### 4.4 Button locking

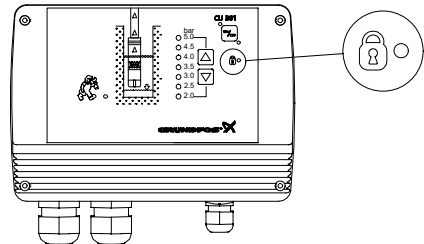
The buttons on CU 301 can be locked or unlocked by pressing the two arrow buttons simultaneously and holding them for 5 seconds or by using Grundfos GO Remote.

When the arrow buttons are used for locking, the pressure setting may change.

Use the following procedure:

1. Increase the pressure one step up.
2. Press the arrow-down button as the first one when pressing the two buttons.

TM018329



TM018330

Button lock indication

When the buttons are locked, the indicator light is permanently on. See fig. *Button lock indication*. See also section [5.3.10 Buttons on product](#).

#### Related information

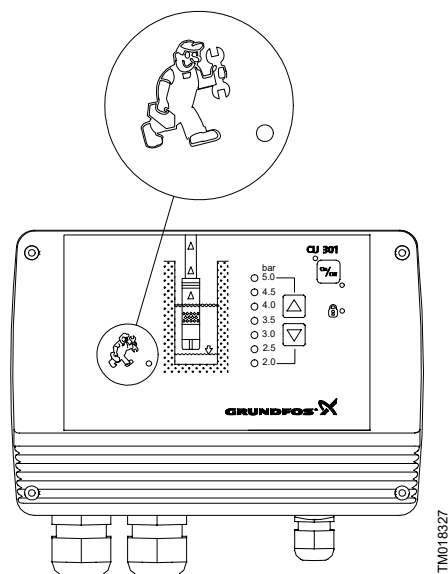
[5.3.10 Buttons on product](#)

### 4.5 Alarm functions

CU 301 continuously receives operating data from the pump. The alarm functions indicated on the CU 301 front are described in the following sections.

## 4.6 Service alarm

If one or more factory-set alarm values are exceeded, the indicator light for service alarm is permanently on.



TM018327

Service alarm

### Possible alarms

- Sensor defective
- Overload
- Overtemperature
- Speed reduction
- Voltage alarm
- No contact to pump.

The possible alarms and how to identify them and make the relevant corrections are described in section [7.1 Fault finding with Grundfos GO Remote](#).

### Related information

[7.1 Fault finding with Grundfos GO Remote](#)

## 4.7 Dry-running protection

The purpose of the dry-running protection is to protect the pump in case of insufficient water flow.

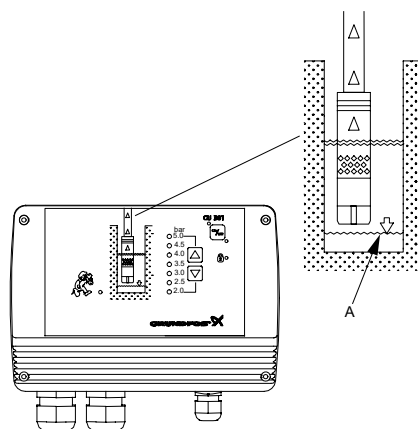
The dry-running protection makes the conventional dry-running protection unnecessary.

No additional cables to the motor are required.

The dry-running protection is active after 30 seconds of operation.

The dry-running alarm is activated when the load has been below the minimum power limit for an accumulated time of 5 seconds.

The motor stops and the dry-running indicator light is permanently on. See fig. [Dry-running protection](#), pos. A.



TM080333

Dry-running protection

Possible cause	Remedy
	Replace the pump with a smaller one.
The pump performance is too high compared to the borehole yield.	Reduce the pump performance using Grundfos GO Remote. See section <a href="#">5.3.8 Maximum speed</a> .
The borehole filter is blocked.	Borehole service is required.

### Restarting

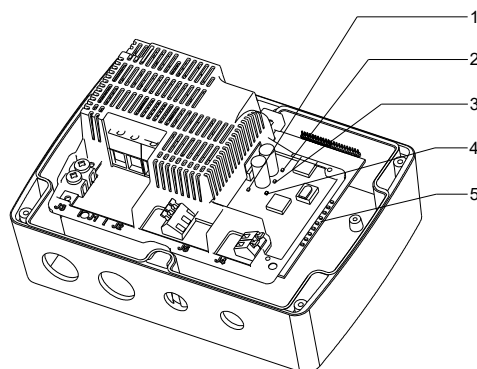
After 5 minutes (factory setting), or the period set in Grundfos GO Remote, see section [5.3.5 Automatic restarting](#), the motor restarts automatically.

### Related information

[5.3.7 Dry-running stop](#)

[8. Technical data](#)

## 4.8 Position of LEDs



TM070780

Pos.	Indication	Description
1	+24 V overload	Permanent red light when the internal 24 VDC supply is overloaded.
2	+24 V	Permanent green light when the internal 24 VDC supply is OK.
3	+10 V	Permanent green light when the internal 10 VDC supply is OK.
4	+5 V	Permanent green light when the internal 5 VDC supply is OK.
9 indicator lights:		
	Control indicator	Flashing green light when the pump control is working correctly.
	Min. speed	Permanent yellow light when the pump is running at minimum speed, 3000 min <sup>-1</sup> .
	Max. speed	Permanent yellow light when the pump is running at maximum speed, 10,700 min <sup>-1</sup> .
	Sensor defective *	Permanent red light when the sensor signal is out of signal range.
5	Overload *	Permanent red light when the motor load exceeds the stop limit. See section 8. <a href="#">Technical data</a> .
	Overtemperature *	Permanent red light when the motor temperature exceeds the stop limit. See section 8. <a href="#">Technical data</a> .
	Speed reduction *	Permanent red light when the pump speed is reduced. See section 8. <a href="#">Technical data</a> .
	Voltage alarm *	Permanent red light when the supply voltage is out of range. See section 8. <a href="#">Technical data</a> .
	No contact to pump *	Permanent red light when communication between CU 301 and the pump is impossible.

\* Press the on/off button to reset the alarm indication.

### Related information

[6. Servicing the product](#)

[7.1 Fault finding with Grundfos GO Remote](#)

[8. Technical data](#)



## 4.9 Grundfos GO Remote menu overview

<b>"Status"</b>	<b>Section</b>
"Controlled from"	<a href="#">5.2.1 Controlled from</a>
"Value, sensor 1"	<a href="#">5.2.2 Value, sensor 1</a>
"Motor temperature"	<a href="#">5.2.3 Motor temperature</a>
"Motor speed"	<a href="#">5.2.4 Motor speed</a>
"Power consumption"	<a href="#">5.2.5 Power consumption</a>
"Energy consumption"	<a href="#">5.2.6 Energy consumption</a>
"Operating hours"	<a href="#">5.2.7 Operating hours</a>
"Number of starts"	<a href="#">5.2.8 Number of starts</a>
<b>"Settings"</b>	<b>Section</b>
"Operating mode"	<a href="#">5.3.1 Operating mode</a>
"Setpoint"	<a href="#">5.3.2 Setpoint</a>
"Analog input 1"	<a href="#">5.3.3 Analog input 1</a>
"Maximum pressure"	<a href="#">5.3.4 Maximum pressure</a>
"Automatic restarting"	<a href="#">5.3.5 Automatic restarting</a>
"Double restarting time"	<a href="#">5.3.6 Double restarting time</a>
"Dry-running stop"	<a href="#">5.3.7 Dry-running stop</a>
"Maximum speed"	<a href="#">5.3.8 Maximum speed</a>
"Cut-in speed"	<a href="#">5.3.9 Cut-in speed</a>
"Buttons on product"	<a href="#">5.3.10 Buttons on product</a>
"Number"	<a href="#">5.3.11 Number</a>
"Indicator lights"	<a href="#">5.3.12 Indicator lights</a>
"Store settings"	<a href="#">5.3.13 Store settings</a>
"Recall settings"	<a href="#">5.3.14 Recall settings</a>
"Undo"	<a href="#">5.3.15 Undo</a>
"Unit configuration"	<a href="#">5.3.16 Unit configuration</a>
<b>"Alarms and warnings"</b>	<b>Section</b>
"Alarm log"	<a href="#">4.5 Alarm functions</a>
"Warning log"	

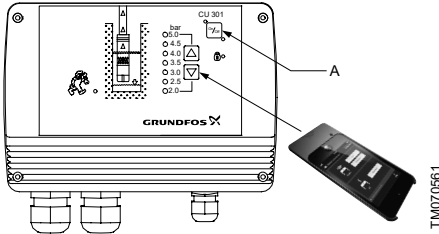
### Related information

[5.1 CU 301 with Grundfos GO Remote](#)

## 5. Setting the product

### 5.1 CU 301 with Grundfos GO Remote

Grundfos GO Remote is used for wireless infrared communication with CU 301. During communication, there must be visual contact between CU 301 and Grundfos GO Remote.



CU 301 communicating with Grundfos GO Remote

Grundfos GO Remote offers the possibility of setting and status displays for CU 301.

When the communication between Grundfos GO Remote and CU 301 is established, the red indicator light (A) in the on/off button flashes.

For general use of Grundfos GO Remote, see the operating instructions for the Grundfos GO Remote unit.

The menu structure for Grundfos GO Remote and CU 301 is divided into three main menus, each containing a number of displays.

- Status
- Settings
- Alarms and warnings

See section [4.9 Grundfos GO Remote menu overview](#).

#### Related information

[4.9 Grundfos GO Remote menu overview](#)

### 5.2 Status

The "Status" menu in Grundfos GO Remote for CU 301 offers the possibility of reading operating parameters.

#### 5.2.1 Controlled from

This display shows the control source:

- CU 301
- external.

#### 5.2.2 Value, sensor 1

Read the value measured by sensor 1 in this display.

#### Related information

[5.3.3 Analog input 1](#)

#### 5.2.3 Motor temperature

The actual temperature of the motor electronics stated in °C or °F.

#### 5.2.4 Motor speed

The actual speed stated in  $\text{min}^{-1}$  (rpm).

#### 5.2.5 Power consumption

Read the actual power consumption in this display.

#### Related information

[5.3.7 Dry-running stop](#)

[5.3.9 Cut-in speed](#)

#### 5.2.6 Energy consumption

You can read the total energy consumption in this display.

#### 5.2.7 Operating hours

The value of operating hours is accumulated from the pump's initial startup and it cannot be reset.

The value is stored in the motor electronics, and it is kept even if CU 301 is replaced.

#### 5.2.8 Number of starts

The value of number of starts is accumulated from the pump's initial startup and it cannot be reset.

The value is stored in the motor electronics, and it is kept even if CU 301 is replaced.

## 5.3 Settings

The "Settings" menu in Grundfos GO Remote for CU 301 offers the possibility of setting operating parameters.

### 5.3.1 Operating mode

Select one of the following operating modes:

- Max.  
Pump operation is set to maximum speed, regardless of the setpoint. The maximum speed is set in the display *Maximum speed*. The default value is 10,700 min<sup>-1</sup>).
- Normal  
Normal operating mode, meaning that pump operation is based on the setpoint set in display *Setpoint*.  
**Examples:** Speed set in the display *Setpoint* or sensor control.
- Min.  
Pump operation is set to minimum speed, 3000 min<sup>-1</sup>, regardless of the setpoint.
- Stop  
The pump stops.

#### Related information

[5.3.8 Maximum speed](#)

[5.3.2 Setpoint](#)

[5.3.2 Setpoint](#)

### 5.3.2 Setpoint

Set the desired pressure in this display.

Setting range unit:

- 2.0 - 5.0 bar, 0.5 bar intervals
- 40-100 psi, 10 psi intervals.

#### Relation to other displays

The setting in the display *Setpoint* is overridden by the "Max." and "Min." settings in the display *Operating mode*.

#### Factory setting

3.0 bar (50 psi).

#### Related information

[5.3.1 Operating mode](#)

[5.3.1 Operating mode](#)

### 5.3.3 Analog input 1

Make the following settings according to sensor type:

- Sensor output signal: "-" (not active), 0-20 mA, 4-20 mA, 0-10 V, 2-10 V.
- Setting range unit: bar or psi.

Two CU 301 front covers are available, one for bar and another for psi. This means that a bar front cover can be replaced by a psi front cover.



The pressure sensor must be replaced by a sensor measuring the pressure in the actual measuring unit.

When the front cover is replaced, the display automatically changes from bar to psi or vice versa.

#### Relation to other displays:

The measuring unit appearing in the display *Value, sensor 1* will be identical to the measuring unit in the front cover.

#### Factory setting

Sensor output signal: 4-20 mA

Setting range unit: bar or psi. Automatically set by the front cover.

#### Related information

[5.2.2 Value, sensor 1](#)

[8. Technical data](#)

### 5.3.4 Maximum pressure

The set maximum pressure equals the upper possible setting of the setpoint pressure value.

### 5.3.5 Automatic restarting

Set the automatic restart time from stop to restart attempt.

The following settings are available:

- "Enabled"
- "Disabled"
- 0 to 254 minutes.

#### Factory setting

"5 minutes".

### 5.3.6 Double restarting time

The following settings are available:

- "Enabled"
- "Disabled".

When you select "Enabled", the restart time set doubles automatically for every 10 motor stops caused by an alarm. The time doubles up to a stop time of 4 hours. After 10 hours of operation without an alarm, the restart time is automatically set to one of the following:

- The time set in the "Time" field.
- 5 minutes (factory setting) if no setting was made in the "Time" field.

### 5.3.7 Dry-running stop

The dry-running stop value (dry-running power limit) is factory-set.

The value depends on the actual motor.

The factory setting depends on the power rating of the motor. See section [Technical data](#).

When the dry-running protection is to be enabled, the minimum value of the pump power input must be set in this display.

For further information, see section [Dry-running protection](#).

Setting range: 0-2500 W.

#### Relation to other displays

[Dry-running protection](#) must be set to "Enabled".

Read the actual pump power input in the display [Power consumption](#).

#### Factory setting

Motor size	Dry-running stop
0.7 kW	300 W
0.7 kW (SQ/SQE 2-55)	550 W
1.15 kW	680 W
1.55 kW	800 W
1.85 kW	900 W

#### Related information

[4.7 Dry-running protection](#)

[5.2.5 Power consumption](#)

[5.3.9 Cut-in speed](#)

[7.1 Fault finding with Grundfos GO Remote](#)

[8. Technical data](#)

### 5.3.8 Maximum speed

Set the maximum speed.

Setting range: 3000 - 10,700 min<sup>-1</sup>.

#### Factory setting

10,700 min<sup>-1</sup>.

#### Related information

[5.3.1 Operating mode](#)

### 5.3.9 Cut-in speed

In the case of an oversized pump or drastically changing water levels, this function may cause an excess pressure, at start-up, in relation to the desired discharge pressure. The cut-in speed can therefore be lowered to compensate.

Setting range: 3000 - 10,700 min<sup>-1</sup> (100 min<sup>-1</sup> intervals).

#### Dry-running stop at reduced maximum pump speed:

If the maximum pump speed has been reduced, the dry-running stop value in display [Dry-running stop](#) must be changed.

#### Calculating the minimum power limit:



If the pump is worn, a renewed calculation of the minimum power limit may be required.



The calculated value is used in the display [Dry-running stop](#).

Step	Action
1	Start the pump against closed outlet valve.
2	Read the power input (P1) in the display <a href="#">Power consumption</a> .
3	Calculate the minimum power limit as follows: Power limit [W] = P1 × 0.9.

#### Factory setting

8200 min<sup>-1</sup>

#### Related information

[5.2.5 Power consumption](#)

[5.3.7 Dry-running stop](#)

### 5.3.10 Buttons on product

Disable the on/off button on CU 301 for protective reasons.

You can set the on/off button to the following:

- "Active"
- "Not active".

#### Factory setting

"Active".

#### Related information

[4.4 Button locking](#)

### 5.3.11 Number

Allocate a number to CU 301 and the pump connected. CU 301 and the pump must have the same number.



When allocating a number, the power supply to other CU 301 units, if any, must be switched off.

Setting range: "Not active", 1, 2, .... 199.

Once a number setting is made, the factory setting (not active) is no longer available.

If CU 301 and the pump do not have the same number, the alarm "No contact" will be indicated.

#### Factory setting

"Not active".

#### Related information

[7.1 Fault finding with Grundfos GO Remote](#)

### 5.3.12 Indicator lights

The indicator light setting can be changed in Grundfos GO Remote.

Available settings:

- "Running lights" during pump operation (factory setting).
- "Constant lights" during pump operation.

#### Related information

[4.2 Indication of pump operation](#)

### 5.3.13 Store settings

Store the actual settings for later use.

### 5.3.14 Recall settings

Recall the last stored settings that the pump will then use.

### 5.3.15 Undo

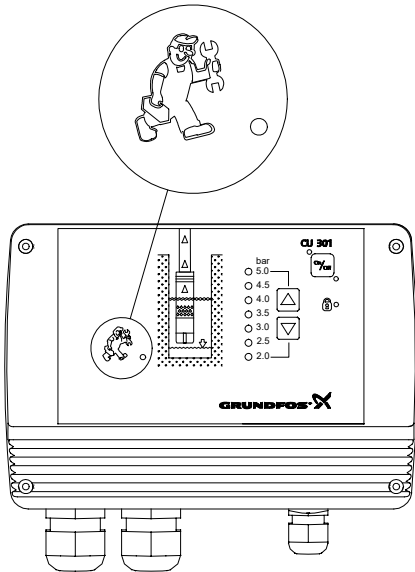
Undo previously made settings.

### 5.3.16 Unit configuration

Select between SI and US units. The setting can be made generally for all parameters or customized for each individual parameter.

## 6. Servicing the product

CU 301 continuously receives operating data from the pump. In case of an alarm, the service indicator light is permanently on.



TM018327

### Service alarm indicator

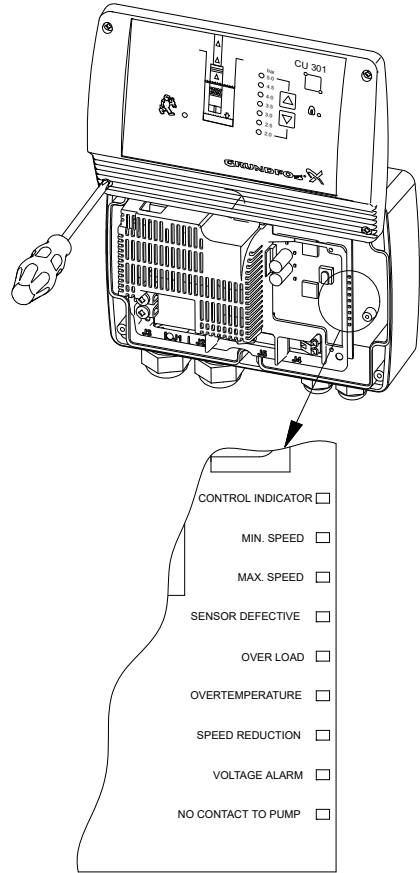
The service indicator light will be permanently on if one of the following alarm situations occurs:

- Sensor defective
- Overload
- Overtemperature
- Speed reduction
- Voltage alarm
- No contact to pump.

To identify the cause of the service alarm, it is necessary to remove the front cover from CU 301. Fit the front cover as shown in fig. [LEDs and alarm texts on the supply board](#) to avoid disconnecting the multicore cable.

A number of LEDs are mounted on the supply board inside CU 301. See section [4.8 Position of LEDs](#).

Figure [LEDs and alarm texts on the supply board](#) shows the LEDs and the alarm texts on the supply board.



TM018435

### LEDs and alarm texts on the supply board

#### Related information

##### [4.8 Position of LEDs](#)

## 7. Fault finding the product

### DANGER

#### Electric shock

Death or serious personal injury



- Before starting any work on the product, make sure that the power supply has been switched off and that it cannot be accidentally switched on.
- The fault finding and service must be carried out by qualified persons.

## 7.1 Fault finding with Grundfos GO Remote

The easiest way is to fault find the product is to use Grundfos GO Remote. Error codes can be extracted from the unit and read on the device.

Fault	Possible cause	Remedy
1 No light in the front cover.	a) The multicore connection is misplaced or defective.	<ul style="list-style-type: none"> <li>• Is the control indicator LED flashing?</li> <li>If not, CU 301 is defective.</li> <li>• Check that the multicore cable connection is OK.</li> <li>If so, CU 301 is defective. Contact Grundfos.</li> </ul>
2 The pump does not start. The green indicator light in the on/off button is on. No alarm is indicated.	a) CU 301 or the pump is defective.	<ul style="list-style-type: none"> <li>• Check that the control indicator LED is flashing.</li> <li>If not, CU 301 is defective.</li> <li>• Check that the system pressure is 0.5 bar below the pressure setting.</li> <li>If so, the pump is supposed to start. Open a tap to be sure.</li> <li>If the pump starts, the system is probably OK.</li> <li>The system pressure can be read on the pressure gauge.</li> <li>• See point 13. to check the pressure sensor.</li> <li>If the pump has not started yet, proceed as follows:</li> <li>• Press the on/off button for 5 seconds.</li> <li>If the pump starts, CU 301 or the sensor may be defective.</li> <li>Note that the pressure is not controlled and may rise to a high level.</li> </ul>
3 The pressure is not constant.	a) The pump is not of the correct type or the precharge pressure of the diaphragm tank is incorrect.	<ul style="list-style-type: none"> <li>• Check that the LED for Max. speed or Min. speed is on.</li> <li>If so, this indicates that the pump has reached a limit. See section <a href="#">3.2 System sizing</a>. Replace the pump, if necessary.</li> <li>• Check the precharge pressure of the diaphragm tank.</li> <li>Remember to stop and drain the system before the pressure is checked.</li> <li>• Check whether the sensor is positioned far away from the tap.</li> <li>If so, the pressure variations may be caused by friction losses. See section <a href="#">2.3 Positioning the pressure sensor</a>.</li> </ul>
4 The pump is running continuously.	a) The pump cannot deliver the pressure set. CU 301 or the sensor is defective.	<ul style="list-style-type: none"> <li>• Try to lower the pressure set. See section <a href="#">3.2 System sizing</a>.</li> <li>Note that the pump may run for about 15 to 20 seconds before it stops.</li> <li>• Check that the control indicator LED is flashing.</li> <li>• Check that the pipe end of the sensor is not blocked.</li> <li>If so, remove the blockage.</li> <li>• Try to stop the pump by means of the on/off button.</li> <li>If this is not possible, CU 301 is defective. Replace CU 301.</li> <li>• See point 13. to check the pressure sensor.</li> </ul>

Fault	Possible cause	Remedy	
5	CU 301 indicates "No contact to pump".	a) The motor is not an MSE 3.	If the pump has already worked satisfactorily with a CU 301 or a CU 300, the motor can be expected to be an MSE 3 There is no technical way of determining the motor type. The only way is to read the nameplate engraved in the motor sleeve.
		b) The pump cable is longer than 200 metres.	Reduce the length of the pump cable.
		c) Cable breakage.	Switch off the mains supply to CU 301. Switch on the mains supply again. The pump is now connected directly to the mains supply without interference from CU 301. Does the motor start? <ul style="list-style-type: none"> <li>• <b>Yes:</b> The cable is OK. Go to point d).</li> <li>• <b>No:</b> Switch off the mains supply again. Remove the cable and cable plug from the motor and carry out megging of the cable including the plug.</li> </ul> Is the cable OK? <ul style="list-style-type: none"> <li>• <b>Yes:</b> The motor is defective. Replace the motor.</li> <li>• <b>No:</b> Replace the cable.</li> </ul>
		d) Cross communication with adjacent CU 301.	If another CU 301 is installed: <ul style="list-style-type: none"> <li>• Ensure each unit has a unique number assigned. See section <a href="#">5.3.11 Number</a>.</li> <li>• If pump cables run parallel to each other, physically separate them by 12-14 inches or rewire using shielded cable.</li> </ul>
		e) The CU 301 communication part is defective.	Are the three CU 301 supply board LEDs in pos. 2, 3 and 4 on and is the control indicator LED flashing? See section <a href="#">4.8 Position of LEDs</a> . <ul style="list-style-type: none"> <li>• <b>Yes:</b> The mains supply is OK. Give the system a new number. If this does not work, CU 301 or the motor communication part is defective. Replace CU 301 and give the new system a number between 1 and 64 in order to obtain correspondence between the numbering of the SQE pump and CU 301. Note that two systems on the same mains supply must not have the same number! Is the LED "No contact to pump" of the new CU 301 also on?  <ul style="list-style-type: none"> <li>• <b>Yes:</b> CU 301 is OK.</li> <li>• <b>No:</b> CU 301 which was removed is defective.</li> </ul> </li> </ul>
		f) The MSE 3 motor communication part is defective.	As a consequence of the above-mentioned checks, replace the MSE 3 motor.
6	Even after replacement, CU 301 indicates "No contact to pump".	a) Numbering of SQE pump and CU 301 is different.	If an SQE/CU 301 system has been given a number, this number is stored in both SQE and CU 301. A new CU 301 will probably not have a number corresponding to the number stored in SQE. Therefore, "No contact to pump" is indicated even if there is no fault. Give the new system a number between 1 and 64 in order to obtain correspondence between the numbering of the SQE pump and CU 301. Note that two systems on the same mains supply must not have the same number!



<b>Fault</b>	<b>Possible cause</b>	<b>Remedy</b>
7	CU 301 indicates "Overvoltage" or "Undervoltage".	<p>a) The supply voltage is unstable or outside the voltage range specified for the installed motor type.</p> <p>Check - possibly over a period of time - that the supply voltage is according to the values below.</p> <p>Voltage range for 200 - 240 V motors:</p> <ul style="list-style-type: none"> <li>• Motor type 0.70 kW is equal to 198 V - 280 V</li> <li>• Motor type 1.15 kW is equal to 198 V - 280 V</li> <li>• Motor type 1.55 kW is equal to 207 V - 280 V</li> <li>• Motor type 1.85 kW is equal to 207 V - 280 V.</li> </ul> <p>Voltage range for 100 - 115 V motors:</p> <ul style="list-style-type: none"> <li>• Motor type 0.70 kW is equal to 90 V - 150 V.</li> </ul> <p>As the voltage is detected at the motor, allow for the voltage drop in the pump cable.</p>
8	CU 301 indicates "Dry running".	<p>If the power consumption is lower than the dry-running stop setting for an accumulated period of 5 seconds, the pump stops.</p> <p>a) The pump performance is too high for the borehole yield. Replace the pump with a smaller pump or reduce the pump performance.</p> <p>b) The well screen is blocked. Check the well capacity and restore water supply to the well.</p> <p>c) The dry-running stop setting is incorrect. Check and correct the setting. See section <a href="#">5.3.7 Dry-running stop</a>.</p>
9	CU 301 indicates "Speed reduction" and "Undervoltage".	<p>Speed reduction is activated so as to maintain a reduced performance. When the supply voltage falls so low that it can no longer supply the necessary current to maintain 3000 min<sup>-1</sup>, the pump will be stopped.</p> <p>a) The supply voltage is unstable or lower than the voltage range specified for the installed motor type. Restore correct supply voltage.</p> <p>b) The pump is not of the correct type. Install correct pump type.</p> <p>c) The voltage drop in the pump cable is too big. Replace the pump cable.</p>
10	CU 301 indicates "Speed reduction" and "Overload".	<p>Speed reduction is activated so as to maintain a reduced performance.</p> <p>a) The pump is worn or blocked. The pump must be serviced.</p> <p>b) The pump is too large for the installed motor. Replace the pump or motor.</p>
11	CU 301 indicates "Overtemperature".	<p>The temperature sensor in the motor is sensing a temperature above the values stated in the factory settings. See section <a href="#">8. Technical data</a>.</p> <p>a) Insufficient cooling of the motor. Restore correct cooling of the motor. The flow velocity past the motor must be at least 0.15 m/s.</p>

Fault	Possible cause	Remedy
12 CU 301 indicates "Overload".	a) The pump is worn or blocked.	The pump must be serviced.
	b) The pump is too large for the installed motor.	Replace the pump or motor.
13 CU 301 indicates "Sensor defective".	a) The pressure sensor is defective.	Check that the sensor is installed correctly. Check that the Grundfos GO Remote setting of the sensor is correct. If the sensor type is 4-20 mA, measure the signal current. If the current is above 2 mA, the sensor and wiring are OK. If the current is below 2 mA, the sensor or wiring is defective. Replace defective parts. Are the LED "Sensor defective" and the LED, pos. 1, on? See section <a href="#">4.8 Position of LEDs</a> .
		<ul style="list-style-type: none"> <li>• <b>Yes:</b> The total load of 24 VDC from terminal 5 is above 100 mA. Disconnect the sensor in order to determine if it is defective. Replace defective sensor.</li> <li>• <b>No:</b> The load is OK, but the CU 301 sensor input may be defective.</li> </ul>
14 The pump is operating on and off.	a) No communication.	Check that the LED "No contact to pump" is on. If so, CU 301 starts and stops the pump, based on the sensor signal only. CU 301 has to be reset every 250 stops. Refer to fault no. 5 for remedy.

## Related information

[2.3 Positioning the pressure sensor](#)

[3.2 System sizing](#)

[4.6 Service alarm](#)

[4.8 Position of LEDs](#)

[5.3.7 Dry-running stop](#)

[5.3.11 Number](#)

[8. Technical data](#)

## 8. Technical data

### Supply voltage

1 x 100-240 V - 10 %/+ 6 %, 50/60 Hz, PE.

### Power consumption

5 W.

### Back-up fuse

Maximum 16 A.

### Current consumption

Maximum 130 mA.

### Mains borne signalling

Frequency shift keying (FSK).  
(132.45 kHz,  $\pm 0.6$  kHz).

### Enclosure class

IP55.

Type 3R

### Maximum length between CU 301 and pump

300 metres.

### Ambient temperature

- During operation: -30 to +45 °C The product must not be exposed to direct sunlight.
- During storage: -30 to +60 °C.

### Weight

1.35 kg.

### Relative humidity

Maximum 95 %.

### Materials

The CU 301 box is made of black PPO.

### EMC (electromagnetic compatibility)

According to EN 60730-1.

### Pollution degree

Category 2

### Basic insulation

Category 3

### Control type action

Type 1

### Software control function

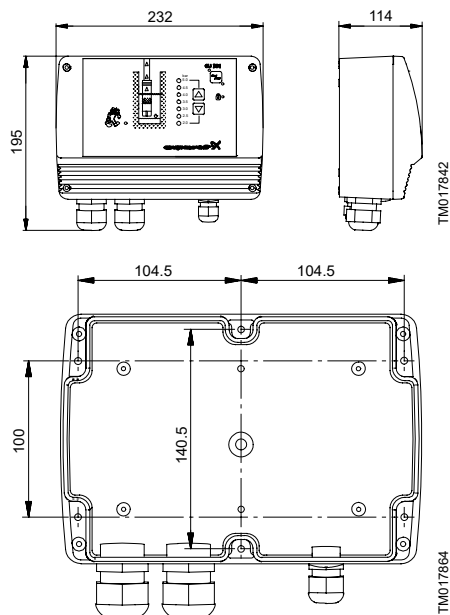
Class A

### Operating relay

Maximum current: 0.5 A.

Maximum voltage: 230 VAC.

### Dimensional sketch



### Sensor input

Voltage signal:

0-10 VDC / 2-10 VDC,  $R_i = 11 \text{ k}\Omega$ .

Tolerance:  $\pm 3 \%$  at maximum voltage signal.

Screened cable is recommended.

Maximum cable length: 500 m.

Current signal:

DC 0-20 mA / 4-20 mA,  $R_i = 500 \Omega$ .

Tolerance:  $\pm 3 \%$  at maximum current signal.

Screened cable is recommended.

Maximum cable length: 500 m.

External sensor

## Factory settings

Alarm	200-240 V motors				100-115 V motors
	0.7 kW	1.15 kW	1.55 kW	1.85 kW	0.7 kW
Overvoltage <sup>1)</sup>	280 VAC	280 VAC	280 VAC	280 VAC	150 VAC
Undervoltage	Speed reduction: 198 V	Speed reduction: 198 V	Speed reduction: 207 V	Speed reduction: 207 V	Speed reduction: 90 V
	Stop limit: 150 V	Stop limit: 150 V	Stop limit: 150 V	Stop limit: 150 V	Stop limit: 75 V
Dry-running stop	300 W 550 W <sup>2)</sup>	680 W	800 W	900 W	300 W
Dry-running protection	"Active" (Grundfos GO Remote setting). See section <a href="#">4.7 Dry-running protection</a> .				
Speed reduction	In connection with undervoltage or overload				
Electronics temperature	Stop limit: 60 °C	Stop limit: 65 °C	Stop limit: 65 °C	Stop limit: 70 °C	Stop limit: 70 °C
	Restart: 50 °C	Restart: 55 °C	Restart: 55 °C	Restart: 60 °C	Restart: 60 °C
Overload	5.2 A	8.4 A	11 A	12 A	12 A
Sensor alarm	"No sensor used" (Grundfos GO Remote setting). See section <a href="#">5.3.3 Analog input 1</a> .				

1) 200-240 V motors: Operation is guaranteed up to 280 VAC.

100-115 V motors: Operation is guaranteed up to 150 VAC.

In order to avoid unnecessary stops, the overvoltage stop limit is as stated.

2) Applies only to SQ/SQE 2-55.

## Accuracy of Grundfos GO Remote readings

Display	Accuracy
Actual pressure	± 0.1 bar
Speed	± 1 %
Temperature	± 5 %
Power input and power consumption	± 5 %

## Sensor

The sensor signal accuracy depends on the sensor type. See the sensor specifications in question.

## Related information

[2.2 Electrical connection](#)

[4.7 Dry-running protection](#)

[4.8 Position of LEDs](#)

[5.3.7 Dry-running stop](#)

[5.3.3 Analog input 1](#)

[7.1 Fault finding with Grundfos GO Remote](#)

## 9. Disposing of the product

This product or parts of it must be disposed of in an environmentally sound way.

1. Use the public or private waste collection service.
2. If this is not possible, contact the nearest Grundfos company or service workshop.



The crossed-out wheellie bin symbol on a product means that it must be disposed of separately from household waste. When a product marked with this symbol reaches its end of life, take it to a collection point designated by the local waste disposal authorities. The separate collection and recycling of such products will help protect the environment and human health.

See also end-of-life information at [www.grundfos.com/product-recycling](http://www.grundfos.com/product-recycling).

## 10. Document quality feedback

To provide feedback about this document, scan the QR-code using your phone's camera or a QR code app.



FEEDBACK(994)06808

[Click here to submit your feedback](#)

## Español (ES) Instrucciones de instalación y funcionamiento

### Traducción de la versión original en inglés

#### Contenido

<b>1.</b>	<b>Información general . . . . .</b>	<b>30</b>
1.1	Indicaciones de peligro . . . . .	30
1.2	Notas . . . . .	30
<b>2.</b>	<b>Instalación del producto . . . . .</b>	<b>31</b>
2.1	Instalación mecánica . . . . .	31
2.2	Conexión eléctrica . . . . .	32
2.3	Ubicación del sensor de presión . . . . .	33
2.4	Ajuste de la presión de precarga . . . . .	34
2.5	Válvula de alivio de presión . . . . .	34
<b>3.</b>	<b>Presentación del producto . . . . .</b>	<b>34</b>
3.1	Descripción del producto . . . . .	34
3.2	Dimensionamiento del sistema . . . . .	37
3.3	Uso previsto . . . . .	38
<b>4.</b>	<b>Funciones de control . . . . .</b>	<b>39</b>
4.1	Botón de encendido/apagado . . . . .	39
4.2	Indicación de funcionamiento de la bomba . . . . .	39
4.3	Ajuste de la presión . . . . .	40
4.4	Bloqueo de los botones . . . . .	40
4.5	Funciones de alarma . . . . .	40
4.6	Alarma de servicio . . . . .	41
4.7	Protección contra marcha en seco . . . . .	41
4.8	Ubicación de los indicadores LED . . . . .	42
4.9	Esquema de los menús de Grundfos GO Remote . . . . .	44
<b>5.</b>	<b>Ajuste del producto . . . . .</b>	<b>45</b>
5.1	Unidad de control CU 301 con Grundfos GO Remote . . . . .	45
5.2	Estado . . . . .	45
5.3	Ajustes . . . . .	46
<b>6.</b>	<b>Mantenimiento y revisión del producto . . . . .</b>	<b>49</b>
<b>7.</b>	<b>Localización de averías del producto . . . . .</b>	<b>50</b>
7.1	Localización de averías con Grundfos GO Remote . . . . .	50
<b>8.</b>	<b>Datos técnicos . . . . .</b>	<b>55</b>
<b>9.</b>	<b>Eliminación del producto . . . . .</b>	<b>57</b>
<b>10.</b>	<b>Comentarios sobre la calidad de este documento . . . . .</b>	<b>57</b>

## 1. Información general



Lea este documento antes de instalar el producto. La instalación y el funcionamiento deben tener lugar de acuerdo con la normativa local vigente y los códigos aceptados de prácticas recomendadas.

### 1.1 Indicaciones de peligro

Las instrucciones de instalación y funcionamiento, de seguridad y de mantenimiento de Grundfos pueden contener los siguientes símbolos e indicaciones de peligro.



#### PELIGRO

Indica una situación peligrosa que, de no corregirse, dará lugar a un riesgo de muerte o lesión personal grave.



#### ADVERTENCIA

Indica una situación peligrosa que, de no corregirse, podría dar lugar a un riesgo de muerte o lesión personal grave.



#### PRECAUCIÓN

Indica una situación peligrosa que, de no corregirse, podría dar lugar a un riesgo de lesión personal leve o moderada.

Las indicaciones de peligro tienen la siguiente estructura:

#### PALABRA DE SEÑALIZACIÓN

##### Descripción del riesgo



Consecuencias de ignorar la advertencia

- Acciones que deben ponerse en práctica para evitar el riesgo.

### 1.2 Notas

Las instrucciones de instalación y funcionamiento, de seguridad y de mantenimiento de Grundfos pueden contener los siguientes símbolos y notas.



Respete estas instrucciones para productos antideflagrantes.



Un círculo de color azul o gris con un signo de admiración en su interior indica que es preciso poner en práctica una acción.



Un círculo de color rojo o gris con una barra diagonal y puede que con un símbolo gráfico de color negro indica que debe evitarse o interrumpirse una determinada acción.



No respetar estas instrucciones puede dar lugar a un mal funcionamiento del equipo o a daños en el mismo.



Sugerencias y consejos que facilitan el trabajo.

## 2. Instalación del producto

### PELIGRO

#### Descarga eléctrica

Riesgo de muerte o lesión personal grave

- Antes de comenzar a trabajar con el producto, asegúrese de que el suministro eléctrico esté desconectado y no pueda conectarse accidentalmente.



- Use fusibles del tamaño recomendado.
- Compruebe que la tensión de alimentación se corresponda con los valores indicados en la placa de características.
- El usuario o el instalador son responsables de la correcta instalación de la puesta a tierra y la protección de acuerdo con la normativa local en vigor.

### 2.1 Instalación mecánica

Puede instalar la unidad de control CU 301 tanto en interiores como en exteriores. La unidad de control no debe exponerse a la incidencia directa de la luz solar.

#### 2.1.1 Montaje de la unidad de control CU 301

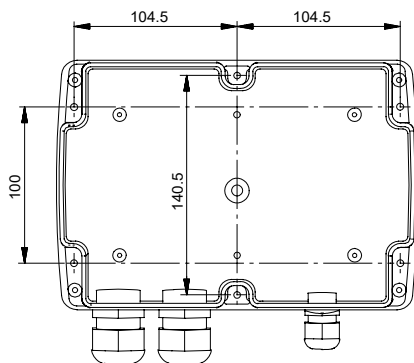
La unidad de control CU 301 está diseñada para su montaje mural.

La caja dispone de seis orificios de montaje ( $\varnothing 4$ ). Consulte la fig. *Dimensiones*. Las dimensiones se indican en mm.. The dimensions are in mm.

La unidad de control CU 301 debe montarse de la forma siguiente:

- En posición horizontal, para permitir que el agua de condensación (si se forma) pueda escapar. Consulte la fig. *Dimensiones*.

Sobre una superficie plana, para evitar la deformación de la caja.



TM017864

#### Dimensiones

La unidad de control CU 301 se suministra con juntas especiales para las entradas de cable Pg. Estas juntas especiales son aptas para cables planos y cables unipolares.

## 2.2 Conexión eléctrica

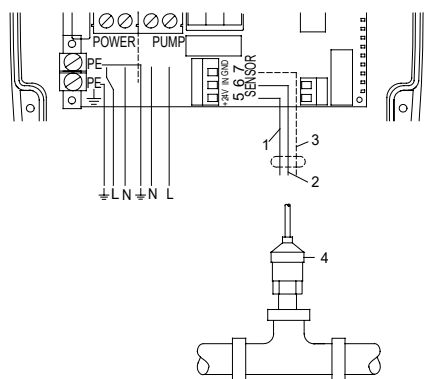
Si desea obtener información acerca de los tamaños recomendados para los fusibles, consulte la sección 8. [Datos técnicos](#).

La unidad de control CU 301 tiene dos bloques de terminales:

- Terminales de tornillo (1-4).
- Terminales de resorte (5-7).

Además, la unidad de control CU 301 incorpora dos terminales de tornillo para los conductores de tierra (PE).

El botón de encendido/apagado de la unidad de control CU 301 no debe usarse como interruptor de seguridad durante los trabajos de instalación y mantenimiento de la bomba.



TMO17720

Conexión eléctrica de la unidad de control CU 301

### Leyenda

Pos.	Descripción
1	Sensor de presión estándar (+24 V c.c., conductor marrón, terminal 5)
2	Sensor de presión estándar (señal de entrada, conductor negro, terminal 6)
3	Sensor de presión estándar (pantalla, terminal 7)
4	Sensor de presión estándar

### Información relacionada

8. [Datos técnicos](#)

## 2.2.1 Conexión a la red eléctrica

### Alimentación (POWER; terminales 1, 2 y PE)

Conecte los conductores de fase y neutro de la fuente de alimentación a los terminales 1 y 2. Cada terminal permite conectar cualquiera de los dos conductores.

Conecte el conductor de tierra verde y amarillo el terminal PE. Debe conectarse un conductor de tierra individual a cada terminal PE.

El grosor máximo de los conductores que se vayan a conectar debe ser de 6 mm<sup>2</sup>.

Fusible de protección: 16 A, máx.



Los conductores de la fuente de alimentación no deben conectarse a los terminales de la bomba (PUMP; terminales 3 y 4).

## 2.2.2 Alimentación de la bomba

### Bomba (PUMP; terminales 3, 4 y PE)

Conecte los conductores de fase y neutro de la bomba a los terminales 3 y 4. Cada terminal permite conectar cualquiera de los dos conductores.

Conecte el conductor de tierra verde y amarillo el terminal PE. Debe conectarse un conductor de tierra individual a cada terminal PE.

El grosor máximo de los conductores que se vayan a conectar debe ser de 6 mm<sup>2</sup>.

### Sensor de presión

#### PELIGRO

#### Descarga eléctrica

Riesgo de muerte o lesión personal grave



- La carga total del terminal 5 (+24 V c.c.) no debe ser superior a 100 mA.

### SENSOR (terminales 5, 6 y 7):

Los terminales 5, 6 y 7 (SENSOR) se usan para el sensor de presión.

Señales del sensor:

El sensor que se vaya a conectar debe generar señales dentro de alguno de los siguientes rangos:

- 0-10 V.
- 2-10 V.
- 0-20 mA.
- 4-20 mA.

El cambio entre señales de corriente y tensión se lleva a cabo mediante Grundfos GO Remote.



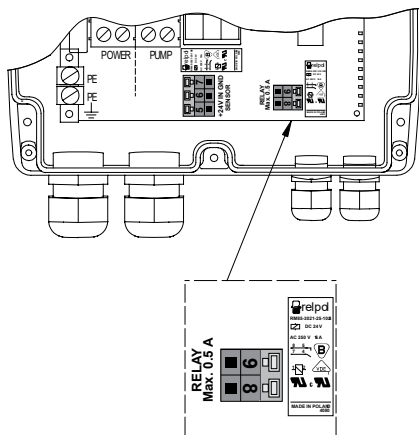
## Relé de funcionamiento

### Relé (RELAY; terminales 8 y 9):

Los terminales del relé (RELAY; terminales 8 y 9) se usan para conectar un transmisor de señal externo (sonoro o luminoso).

El relé de funcionamiento actúa como un contacto normalmente abierto (NA) cuando la bomba no está funcionando y se cierra cuando la bomba está en funcionamiento.

- Corriente máxima: 0,5 A.
- Tensión máxima: 230 V CA.

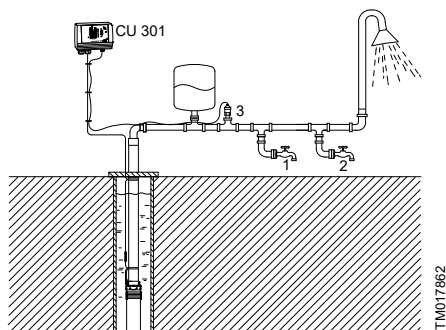


Conexión eléctrica del relé de funcionamiento

TM070764

## 2.3 Ubicación del sensor de presión

Las pérdidas de presión suelen causar inconvenientes al usuario. La unidad de control CU 301 mantiene la presión constante en el lugar en el que esté ubicado el sensor de presión.



TM017862

Posición del sensor de presión

Pos.	Descripción
1	Grifo 1
2	Grifo 2
3	Sensor de presión

En la fig. *Posición del sensor de presión*, el grifo 1 se encuentra cerca del sensor de presión. Por lo tanto, la presión en el grifo 1 se mantiene prácticamente constante, ya que la pérdida por fricción es pequeña. En la ducha y en el grifo 2, la pérdida por fricción es mayor. Dicha pérdida, por supuesto, depende de las tuberías. No obstante, las tuberías viejas y con incrustaciones de cal pueden dar problemas debido a la pérdida por fricción.

**Ejemplo:** Una persona se está duchando. Se abre el grifo 2. El aumento de caudal provoca una pérdida de presión en la tubería. Incluso aunque la unidad de control CU 301 esté manteniendo la presión constante en la ubicación del sensor de presión, la persona que se esté duchando notará la pérdida de presión.

Si el sensor de presión se ubica más cerca del grifo de la ducha, la unidad de control CU 301 incrementará la presión cuando aumente el caudal. En ese caso, la presión en la ducha y en el grifo 2 se mantendrá constante, pero la presión en el grifo 1 se incrementará.

Se recomienda colocar el sensor de presión lo más cerca posible de los puntos de consumo.

### Información relacionada

[7.1 Localización de averías con Grundfos GO Remote](#)

## 2.4 Ajuste de la presión de precarga

La presión de precarga del depósito de membrana debe configurarse al 70 % del ajuste de presión, con el fin de aprovechar el depósito hasta el límite de su capacidad. Por supuesto, esto es especialmente importante cuando el volumen del depósito está limitado a 8 litros.

Use los valores indicados en la tabla siguiente:

Ajuste [bar]	Presión de precarga [bar]
2	1,4
2,5	1,8
3	2,1
3,5	2,5
4	2,8
4,5	3,2
5	3,5

Si la presión de precarga es superior al ajuste de presión, el sistema no podrá controlar la presión.

Si el usuario desea ajustar la presión sin cambiar la presión de precarga del depósito de membrana, esta deberá ser igual al ajuste de presión más bajo que se emplee. No obstante, aunque el control funcionará, las fluctuaciones de presión podrían aumentar. En estos casos, se recomienda usar un depósito de membrana más grande (por ejemplo, un depósito que sea el doble de grande).

## 2.5 Válvula de alivio de presión

Para disponer de protección frente a posibles sobrepresiones, debe instalarse una válvula de alivio de presión después de la boca del pozo. El punto de ajuste de la válvula de alivio de presión debe ser, al menos, 30 psi superior a la presión ajustada.

Consulte la sección [5. Ajuste del producto](#).

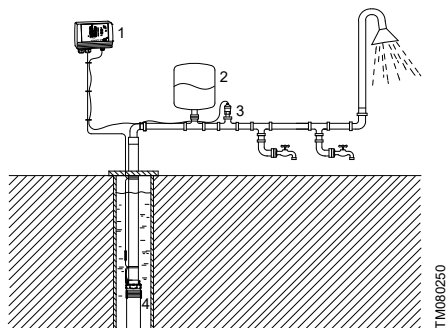
Si se instala una válvula de alivio de presión, se recomienda conectar su salida con un punto de drenaje adecuado mediante una tubería.

## 3. Presentación del producto

### 3.1 Descripción del producto

El sistema mantiene constante la presión con un rendimiento máximo de la bomba a pesar de la variación en el consumo de agua.

La figura *Ejemplo de instalación* muestra un ejemplo de una instalación con control de presión constante.



*Ejemplo de instalación*

Pos.	Descripción
1	Caja de control CU 301.
2	Depósito de membrana
3	Sensor de presión
4	Bomba SQE

La presión se registra mediante el sensor de presión, que transmite una señal a la unidad de control CU 301. Dicha unidad de control ajusta el rendimiento de la bomba en función de la señal; para ello, modifica la velocidad de la bomba.

### Transmisión de señales a través del cable de alimentación

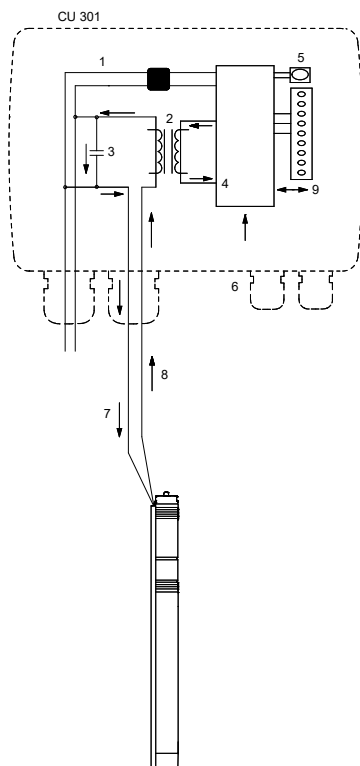
La comunicación entre la unidad de control CU 301 y la bomba se efectúa mediante el cable de alimentación.

A este principio de comunicación se lo conoce como transmisión de señales (o comunicación) a través del cable de alimentación. La aplicación de este principio evita tener que conectar cables adicionales a la bomba.

La comunicación de los datos se efectúa mediante una señal de alta frecuencia transmitida al cable de alimentación y conducida hasta los componentes electrónicos mediante bobinas de señal integradas en el motor y en la unidad de control CU 301, respectivamente.

En aquellas situaciones en las que haya varios cables de alimentación de bombas conectados con unidades de control CU 301, tendidos en paralelo mediante bandejas o conductos de cables y separados una distancia inferior a 25-30 cm, existe la posibilidad de que se produzca comunicación indeseada entre unidades. Cuando esto suceda, normalmente aparecerá el mensaje "Sin contacto" de forma intermitente o continua. También podrían producirse otros errores inesperados.

La figura *Principio de transmisión de señales (o comunicación) a través del cable de alimentación* muestra el principio de transmisión de señales a través del cable de alimentación entre la unidad de control CU 301 y la bomba.



*Principio de transmisión de señales (o comunicación) a través del cable de alimentación*

Pos.	Descripción
1	Alimentación de los componentes electrónicos
2	Bobinas de señal
3	Condensador
4	Componentes electrónicos de control de la comunicación
5	Botón de encendido/apagado
6	Señal del sensor
7	Suministro eléctrico
8	Señales de comunicación
9	Grundfos GO Remote

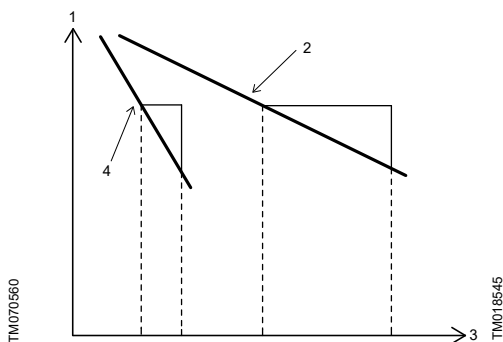
### Arranque de la bomba

La bomba arrancará cuando se cumpla alguna de las siguientes condiciones:

- un caudal alto;
- una baja presión;
- una combinación de ambos.

Para garantizar que la bomba arranque cuando haya consumo de agua, habrá que detectar la existencia de caudal. El caudal se detecta mediante los cambios de presión en el sistema. Cuando se consume agua, la presión disminuye conforme al tamaño del depósito de membrana y el caudal de agua:

- Si el caudal es bajo, la presión caerá lentamente.
- Si el caudal es alto, la presión caerá rápidamente.



Pos.	Descripción
1	Presión
2	Caudal bajo
3	Tiempo
4	Caudal alto

Si la caída de presión es igual o superior a 0,1 bar o más rápido, la bomba arranca inmediatamente.

Si se usa un depósito de membrana de 8 l, la bomba arrancará cuando exista un caudal de unos 0,18 m<sup>3</sup>/h. Si el tamaño del depósito es mayor, el caudal deberá ser más alto para que la bomba arranque.

### Consumo de hasta 0,18 m<sup>3</sup>/h

La bomba arrancará cuando la presión caiga 0,5 bar por debajo del ajuste de presión.

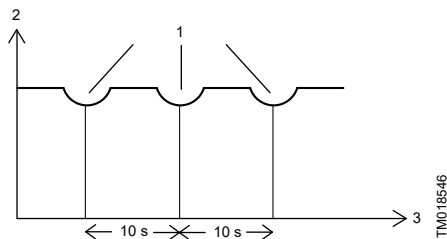
La bomba seguirá funcionando hasta que la presión sea 0,5 bar superior al ajuste de presión.

### Detección de caudal

Durante el funcionamiento de la bomba, cuando se está consumiendo agua, la unidad de control CU 301 ajusta la velocidad de la bomba para mantener una presión constante. Con el fin de detener la bomba cuando no haya consumo de agua, la unidad de control CU 301 lleva a cabo la detección de caudal cada 10 segundos.

La velocidad de la bomba se reducirá hasta que se registre una pequeña caída de presión, lo que indicará que se está consumiendo agua y hará que la bomba vuelva a funcionar a la velocidad normal. Consulte la fig. *Detección de caudal cada 10 segundos durante el funcionamiento*.

Si la velocidad de la bomba se reduce sin que se registre una caída de presión, esto indicará que no se está consumiendo agua. El depósito de membrana se llenará de agua y la bomba se detendrá.



*Detección de caudal cada 10 segundos durante el funcionamiento*

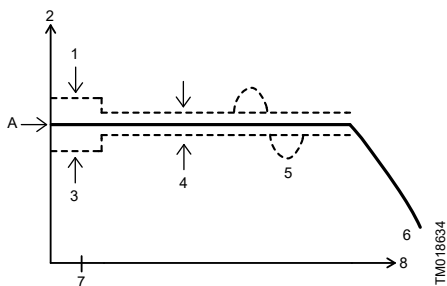
Pos.	Descripción
1	Detección de caudal
2	Presión
3	Tiempo

### Límites del sistema

La unidad de control CU 301 controla la presión con una variación de  $\pm 0,2$  bar; sin embargo, pueden producirse variaciones de presión mayores en el

sistema. Si el consumo cambia repentinamente (por ejemplo, si se abre un grifo), el agua deberá empezar a fluir antes de que la presión pueda volver a ser constante. Aunque este tipo de variaciones dinámicas dependen de las tuberías, suelen tener un valor de entre 0,5 bar y 1 bar.

Si el consumo deseado es superior al caudal que la bomba es capaz de suministrar a la presión deseada, la presión seguirá la curva de la bomba, tal como se muestra en la fig. *Posibles variaciones de presión durante el funcionamiento a presión constante*.



*Posibles variaciones de presión durante el funcionamiento a presión constante*

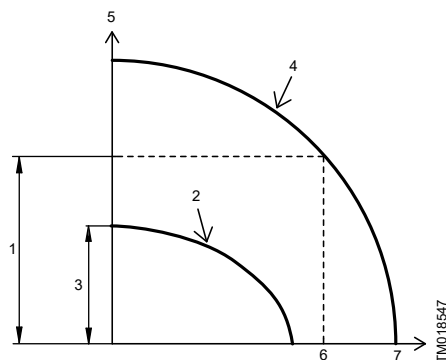
Pos.	Descripción
1	Parada +0,5 bar
2	Presión
3	Arranque -0,5 bar
4	Control $\pm 0,2$ bar
5	Variaciones dinámicas $\pm 0,5$ bar
6	Caudal
7	0,18
8	m <sup>3</sup> /h
A	Ajuste de presión

### 3.2 Dimensionamiento del sistema

Para garantizar el correcto funcionamiento del sistema, es importante que la bomba sea del tipo adecuado.

Durante el funcionamiento, la unidad de control CU 301 regula la velocidad de la bomba dentro de un rango comprendido entre  $3.000 \text{ min}^{-1}$  y  $10.700 \text{ min}^{-1}$ . Consulte la fig. [Curvas de rendimiento](#).

Se recomienda seguir las directrices indicadas a continuación:



Curvas de rendimiento

Pos.	Descripción
1	Altura máx. con el caudal máx.
2	Curva de la bomba a $3.000 \text{ min}^{-1}$
3	Altura mín. sin caudal
4	Curva de la bomba a $10.700 \text{ min}^{-1}$
5	H [m]
6	$Q_{\text{máx}}$
7	Q [ $\text{m}^3/\text{h}$ ]

Deben cumplirse las condiciones siguientes:

1. Altura mínima sin caudal < altura estática + presión del sistema.
2. Altura máxima con el caudal máximo > altura dinámica + presión del sistema.

En la tabla siguiente se indican la altura máxima con el caudal máximo y la altura mínima sin caudal:

Tipo de bomba	Altura mín. con $Q = 0 \text{ m}^3/\text{h}$ ,	Altura máx. con $Q = Q_{\text{máx}}$ ,
	$3.000 \text{ min}^{-1}$ [m]/[ft]	$10.700 \text{ min}^{-1}$ [m]/[ft]
SQE 1-35	18 / 59	29 / 86
SQE 1-50	28 / 91	44 / 131
SQE 1-65	37 / 121	59 / 177
SQE 1-80	46 / 151	75 / 222
SQE 1-95	56 / 184	90 / 270
SQE 1-110	65 / 213	105 / 315
SQE 1-125	74 / 243	120 / 360
SQE 1-140	81 / 266	136 / 405
SQE 1-155	92 / 302	151 / 450
SQE 2-35	19 / 62	35 / 105
SQE 2-55	29 / 95	54 / 164
SQE 2-70	38 / 125	71 / 215
SQE 2-85	47 / 154	88 / 267
SQE 2-100	56 / 184	108 / 328
SQE 2-115	66 / 217	128 / 390
SQE 3-30	15 / 49	26 / 75
SQE 3-40	24 / 79	42 / 123
SQE 3-55	31 / 102	56 / 164
SQE 3-65	39 / 128	70 / 205
SQE 3-80	47 / 154	84 / 246
SQE 3-95	55 / 180	98 / 287
SQE 3-105	62 / 203	113 / 328
SQE 5-15	7,7 / 25	11 / 36
SQE 5-25	15 / 49	23 / 77
SQE 5-35	23 / 75	36 / 117
SQE 5-50	30 / 98	48 / 159
SQE 5-60	38 / 125	61 / 200
SQE 5-70	45 / 148	73 / 240
SQE 7-15	8,6 / 28	9 / 33
SQE 7-30	18 / 59	23 / 82
SQE 7-40	27 / 89	37 / 126

#### Información relacionada

[7.1 Localización de averías con Grundfos GO Remote](#)

### 3.3 Uso previsto

#### PELIGRO

#### Descarga eléctrica

Riesgo de muerte o lesión personal grave



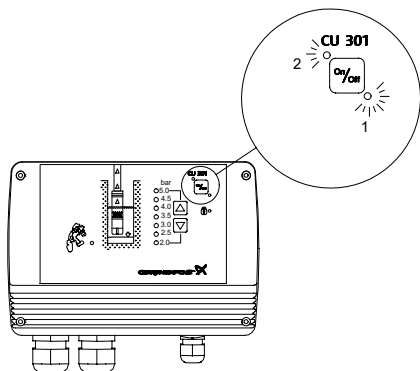
- Instale el producto en posición horizontal y sobre una superficie plana, para permitir que el agua de condensación que se forme en el interior del producto pueda escapar.

La unidad de control CU 301 está diseñada exclusivamente para su uso con las bombas SQE de Grundfos con corrección electrónica del factor de potencia (PFC). El sistema mantiene constante la presión con un rendimiento máximo de la bomba a pesar de la variación en el consumo de agua. La presión se registra mediante el sensor de presión, que transmite una señal de 4-20 mA a la unidad de control CU 301. Dicha unidad de control ajusta el rendimiento de la bomba para mantener constante la presión; para ello, modifica la velocidad de la bomba. Existe la posibilidad de conectar un relé de funcionamiento que indique el estado de funcionamiento de la bomba. El producto está diseñado para su uso en exteriores.

## 4. Funciones de control

### 4.1 Botón de encendido/apagado

La figura *Botón de encendido/apagado* muestra el botón de encendido/apagado de la unidad de control CU 301.



TM017860

*Botón de encendido/apagado*

Pos.	Descripción
1	Rojo
2	Verde

Los indicadores luminosos verde y rojo del botón de encendido/apagado indican el estado de funcionamiento de la bomba de la forma siguiente:

Indicación	Descripción
Indicador luminoso verde que permanece encendido.	El sistema está funcionando.
Indicador luminoso verde apagado.	El sistema no está funcionando.
Indicador luminoso rojo que permanece encendido.	La bomba se ha detenido mediante el botón de encendido/apagado. *
Indicador luminoso rojo parpadeando.	La unidad de control CU 301 se está comunicando con Grundfos GO Remote.

\* Si usa el botón de encendido/apagado para detener la bomba, también deberá usarlo para volver a arrancarla.

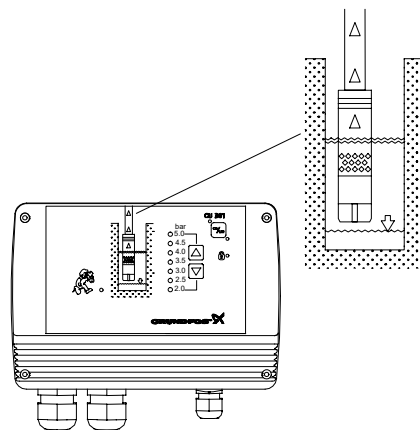
Cualquier indicación de alarma puede restablecerse pulsando el botón de encendido/apagado.

Si mantiene pulsado el botón de encendido/apagado durante al menos 5 segundos, la bomba arrancará aunque haya indicaciones activas de avería o alarma. Al soltar el botón de encendido/apagado, la bomba se detendrá.

### 4.2 Indicación de funcionamiento de la bomba

En el esquema gráfico de la parte frontal de la unidad de control CU 301, aparecerán indicadores luminosos en la tubería vertical cuando la bomba esté funcionando.

Cuando la bomba no esté funcionando, todos los indicadores luminosos estarán apagados.



TM018328

*Indicación de funcionamiento de la bomba*

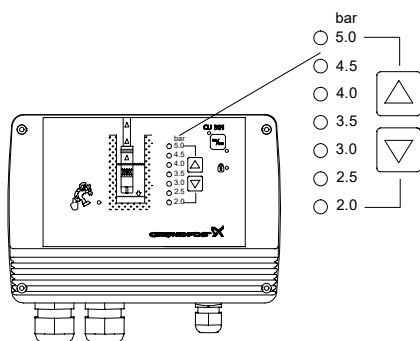
Puede cambiar los ajustes de los indicadores luminosos mediante Grundfos GO Remote. Consulte la sección [5.3.12 Luces indicadoras](#).

#### Información relacionada

[5.3.12 Luces indicadoras](#)

### 4.3 Ajuste de la presión

Los dos botones de flecha situados en la parte frontal de la unidad de control CU 301 se usan para ajustar la presión.



Ajuste de presión e indicación

#### Indicación del ajuste de presión

El ajuste de presión del sistema se muestra mediante un indicador luminoso amarillo que permanece encendido.

Intervalo de ajuste: 2, 2,5... 5,0 bar.

#### Botón de flecha arriba

Al pulsar este botón, el ajuste de presión del sistema aumenta en intervalos de 0,5 bar.

#### Botón de flecha abajo

Al pulsar este botón, el ajuste de presión del sistema disminuye en intervalos de 0,5 bar.

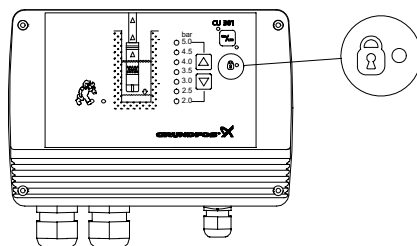
### 4.4 Bloqueo de los botones

Los botones de la unidad de control CU 301 se pueden bloquear o desbloquear manteniendo pulsados los dos botones de flecha simultáneamente durante 5 segundos o mediante Grundfos GO Remote.

Si se usan los botones de flecha para bloquear la unidad de control, podría modificarse el ajuste de presión por accidente.

Siga el procedimiento descrito a continuación:

1. Incremente la presión en un paso.
2. Al pulsar los dos botones de flecha, pulse el botón de flecha abajo en primer lugar.



Indicador de bloqueo de los botones

El indicador luminoso permanece encendido cuando los botones están bloqueados. Consulte la fig. [Indicador de bloqueo de los botones](#). Consulte también la sección [5.3.10 Botones prod.](#)

#### Información relacionada

[5.3.10 Botones prod.](#)

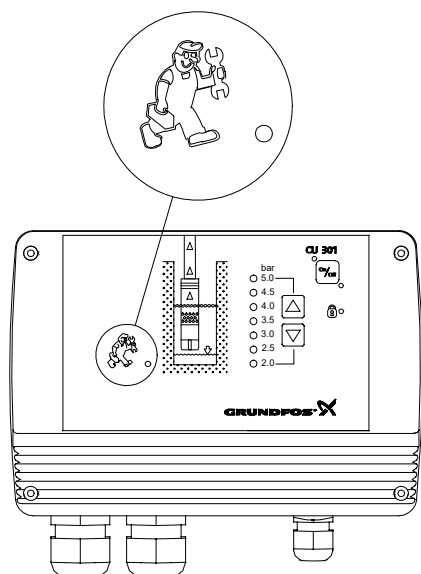
### 4.5 Funciones de alarma

La unidad de control CU 301 recibe continuamente datos de funcionamiento de la bomba. En las secciones siguientes se describen las funciones de alarma indicadas en la parte frontal de la unidad de control CU 301.



## 4.6 Alarma de servicio

Si se rebasan uno o varios ajustes de alarma preestablecidos en fábrica, el indicador luminoso de alarma de servicio permanecerá encendido.



TM016327

Alarma de servicio

### Posibles alarmas:

- sensor defectuoso;
- sobrecarga;
- exceso de temperatura;
- reducción de velocidad;
- alarma de tensión;
- sin contacto con la bomba.

En la sección [7.1 Localización de averías con Grundfos GO Remote](#) se describen las posibles alarmas, además de cómo identificarlas y cómo hacer las correcciones necesarias.

### Información relacionada

[7.1 Localización de averías con Grundfos GO Remote](#)

## 4.7 Protección contra marcha en seco

El objetivo de la protección contra marcha en seco es proteger la bomba si hay un caudal insuficiente de agua.

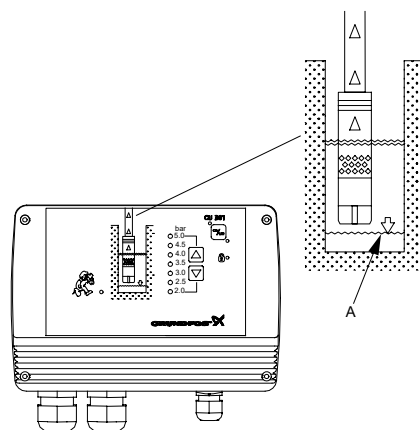
La protección contra marcha en seco evita tener que recurrir a algún tipo de protección convencional contra marcha en seco.

No se requiere conectar cables adicionales al motor.

La protección contra marcha en seco se activará tras 30 segundos de funcionamiento.

La alarma de marcha en seco se activará si la carga permanece por debajo del límite inferior de potencia durante un tiempo acumulado de 5 segundos.

El motor se detendrá y el indicador luminoso de marcha en seco permanecerá encendido. Consulte la fig. [Protección contra marcha en seco](#), pos. A.



TM060333

Protección contra marcha en seco

Possible causa	Solución
El rendimiento de la bomba es demasiado alto en comparación con la producción del pozo.	Sustituya la bomba por otra de menor potencia. Reduzca el rendimiento de la bomba mediante Grundfos GO Remote. Consulte la sección <a href="#">5.3.8 Velocidad máxima</a> .
El filtro del pozo está obstruido.	Lleve a cabo el mantenimiento del pozo.

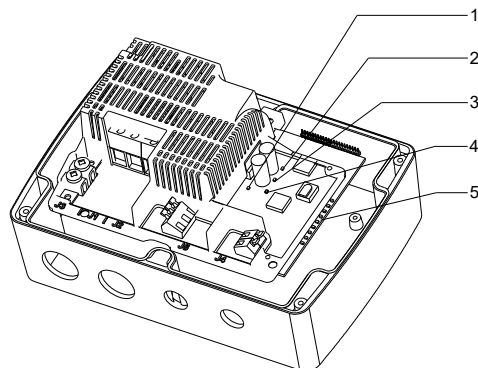
### Rearranque

Una vez transcurridos 5 minutos (ajuste de fábrica) o el período configurado en Grundfos GO Remote, el motor volverá a arrancar automáticamente (consulte la sección [5.3.5 Rearranq. autom.](#)).

**Información relacionada**

5.3.7 Parada marcha en seco

8. Datos técnicos

**4.8 Ubicación de los indicadores LED**

TM070780

Pos.	Indicación	Descripción
1	+24 V (sobrecarga)	Indicador luminoso rojo que permanece encendido cuando existe una sobrecarga en el suministro interno de 24 V CC.
2	+24 V	Indicador luminoso verde que permanece encendido cuando el suministro interno de 24 V CC es correcto.
3	+10 V	Indicador luminoso verde que permanece encendido cuando el suministro interno de 10 V CC es correcto.
4	+5 V	Indicador luminoso verde que permanece encendido cuando el suministro interno de 5 V CC es correcto.

Pos.	Indicación	Descripción
	9 indicadores luminosos:	
	• Indicador de control	• Indicador luminoso verde que parpadea cuando el control de la bomba funciona correctamente.
	• Velocidad mín.	• Indicador luminoso amarillo que permanece encendido cuando la bomba funciona a la velocidad mínima, 3.000 min <sup>-1</sup> .
	• Velocidad máx.	• Indicador luminoso amarillo que permanece encendido cuando la bomba funciona a la velocidad máxima 10.700 min <sup>-1</sup> .
	• Sensor defectuoso *	• Indicador luminoso rojo que permanece encendido cuando la señal del sensor está fuera de rango.
5	• Sobrecarga *	• Indicador luminoso rojo que permanece encendido cuando la carga del motor supera el límite de parada. Consulte la sección 8. <a href="#">Datos técnicos</a> .
	• Exceso de temperatura *	• Indicador luminoso rojo que permanece encendido cuando la temperatura del motor supera el límite de parada. Consulte la sección 8. <a href="#">Datos técnicos</a> .
	• Reducción de velocidad *	• Indicador luminoso rojo que permanece encendido cuando se reduce la velocidad de la bomba. Consulte la sección 8. <a href="#">Datos técnicos</a> .
	• Alarma de tensión *	• Indicador luminoso rojo que permanece encendido cuando la tensión de alimentación está fuera de rango. Consulte la sección 8. <a href="#">Datos técnicos</a> .
	• Sin contacto con la bomba *	• Indicador luminoso rojo que permanece encendido cuando no se puede establecer comunicación entre la unidad de control CU 301 y la bomba.

\* Pulse el botón de encendido/apagado para restablecer la indicación de alarma.

## Información relacionada

[6. Mantenimiento y revisión del producto](#)

[7.1 Localización de averías con Grundfos GO Remote](#)

[8. Datos técnicos](#)

## 4.9 Esquema de los menús de Grundfos GO Remote

<b>“Estado”</b>	<b>Sección</b>
“Control. desde”	<a href="#">5.2.1 Control. desde</a>
“Valor, sens. 1”	<a href="#">5.2.2 Valor, sens. 1</a>
“Temp. motor”	<a href="#">5.2.3 Temp. motor</a>
“Velocid. motor”	<a href="#">5.2.4 Velocid. motor</a>
“Consumo eléct.”	<a href="#">5.2.5 Consumo de potencia</a>
“Consum. energía”	<a href="#">5.2.7 Consum. energía</a>
“Horas funcion.”	<a href="#">5.2.8 Horas de funcionamiento</a>
“N.º arranques”	<a href="#">5.2.9 Número de arranques</a>

<b>“Configuración”</b>	<b>Sección</b>
“Modo func.”	<a href="#">5.3.1 Modo de funcionamiento</a>
“Valor ajuste”	<a href="#">5.3.2 Valor ajuste</a>
“Entr. analóg. 1”	<a href="#">5.3.3 Entr. analóg. 1</a>
“Presión máxima”	<a href="#">5.3.4 Presión máxima</a>
“Rearr. autom.”	<a href="#">5.3.5 Rearranq. autom.</a>
“Mom. doble re arran.”	<a href="#">5.3.6 Mom. doble re arran.</a>
“Parada marcha en seco”	<a href="#">5.3.7 Parada marcha en seco</a>
“Vel. máxima”	<a href="#">5.3.8 Velocidad máxima</a>
“Vel. puesta en serv.”	<a href="#">5.3.9 Vel. puesta en serv.</a>
“Botones prod.”	<a href="#">5.3.10 Botones prod.</a>
“Número”	<a href="#">5.3.11 Número</a>
“Luces testigo”	<a href="#">5.3.12 Luces indicadoras</a>
“Guardar ajustes”	<a href="#">5.3.13 Guardar ajustes</a>
“Recuperar config.”	<a href="#">5.3.14 Recuperar config.</a>
“Deshacer”	<a href="#">5.3.15 Anular</a>
“Conf. unidad”	<a href="#">5.2.9 Número de arranques</a>

<b>“Alarma y aviso”</b>	<b>Sección</b>
“Registro alarma”	<a href="#">4.5 Funciones de alarma</a>
“Registros de advertencia”	

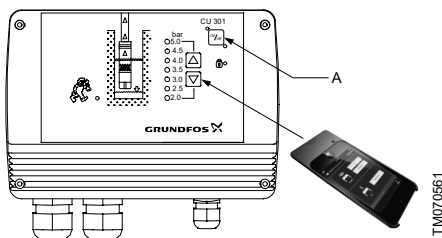
### Información relacionada

[5.1 Unidad de control CU 301 con Grundfos GO Remote](#)

## 5. Ajuste del producto

### 5.1 Unidad de control CU 301 con Grundfos GO Remote

Grundfos GO Remote se usa para la comunicación inalámbrica por infrarrojos con la unidad de control CU 301. Durante la comunicación, debe existir una línea directa de visión entre la unidad de control CU 301 y Grundfos GO Remote.



Comunicación entre la unidad de control CU 301 y Grundfos GO Remote

Grundfos GO Remote ofrece la posibilidad de configurar y mostrar el estado de la unidad de control CU 301.

Una vez establecida la comunicación entre Grundfos GO Remote y la unidad de control CU 301, el indicador luminoso rojo (A) del botón de encendido/apagado parpadeará.

Consulte las instrucciones de funcionamiento de la unidad Grundfos GO Remote para obtener información sobre el uso general de dicha unidad.

La estructura de menús de Grundfos GO Remote y la unidad de control CU 301 se divide en tres menús principales, cada uno de los cuales tiene varias pantallas:

- Estado
- Ajustes
- Alarma y aviso

Consulte la sección [4.9 Esquema de los menús de Grundfos GO Remote](#).

#### Información relacionada

[4.9 Esquema de los menús de Grundfos GO Remote](#)

### 5.2 Estado

El menú "Estado" de Grundfos GO Remote para la unidad de control CU 301 ofrece la posibilidad de leer los parámetros de funcionamiento.

#### 5.2.1 Control. desde

Esta pantalla muestra la fuente de control:

- Caja de control CU 301.
- externa.

#### 5.2.2 Valor, sens. 1

En esta pantalla puede consultarse el valor medido por el sensor 1.

#### Información relacionada

[5.3.3 Entr. analóg. 1](#)

#### 5.2.3 Temp. motor

Muestra la temperatura real de los componentes electrónicos del motor (en °C o °F).

#### 5.2.4 Velocid. motor

La velocidad real indicada en  $\text{min}^{-1}$  (rpm).

#### 5.2.5 Consumo de potencia

En esta pantalla puede consultarse el consumo real de potencia.

#### Información relacionada

[5.3.7 Parada marcha en seco](#)

[5.3.9 Vel. puesta en serv.](#)

#### 5.2.6 Consommation électrique

Cet affichage montre la consommation électrique réelle.

#### Informations connexes

[5.3.7 Arrêt marche à sec](#)

[5.3.9 Vitesse de démarrage](#)

#### 5.2.7 Consum. energía

En esta pantalla puede consultarse el consumo total de energía.

#### 5.2.8 Horas de funcionamiento

El número de horas de funcionamiento se acumula desde el primer arranque de la bomba y no se puede restablecer.

Este valor se almacena en la electrónica del motor y se conserva incluso aunque se sustituya la unidad de control CU 301.

#### 5.2.9 Número de arranques

El número de arranques se acumula desde el primer arranque de la bomba y no se puede restablecer.

Este valor se almacena en la electrónica del motor y se conserva incluso aunque se sustituya la unidad de control CU 301.

## 5.3 Ajustes

El menú "Configuración" de Grundfos GO Remote para la unidad de control CU 301 ofrece la posibilidad de ajustar los parámetros de funcionamiento.

### 5.3.1 Modo de funcionamiento

Permite seleccionar uno de los modos de funcionamiento siguientes:

- **Máx.**  
El funcionamiento de la bomba se ajusta a la velocidad máxima, independientemente del punto de ajuste. La velocidad máxima puede ajustarse en la pantalla *Velocidad máxima*. El valor predeterminado es 10.700 min<sup>-1</sup>).
- **Normal**  
Modo de funcionamiento normal; es decir, el funcionamiento de la bomba depende del punto de ajuste establecido en la pantalla *Valor ajuste*.  
**Ejemplos:** Velocidad establecida en la pantalla *Valor ajuste* o en el control del sensor.
- **Mín.**  
El funcionamiento de la bomba se ajusta a la velocidad mínima (3000 min<sup>-1</sup>), independientemente del punto de ajuste.
- **Parada**  
La bomba se detendrá.

### Información relacionada

[5.3.8 Velocidad máxima](#)

[5.3.2 Valor ajuste](#)

[5.3.2 Valor ajuste](#)

### 5.3.2 Valor ajuste

En esta pantalla puede ajustarse la presión deseada.

Rango de ajuste (en función de la unidad seleccionada):

- 2,0-5,0 bar, en intervalos de 0,5 bar.
- 40-100 psi, en intervalos de 10 psi.

### Relación con otras pantallas

El ajuste de la pantalla *Valor ajuste* quedará anulado por los ajustes "Máx." y "Mín." de la pantalla *Modo de funcionamiento*.

### Ajuste de fábrica

3,0 bar (50 psi).

### Información relacionada

[5.3.1 Modo de funcionamiento](#)

[5.3.1 Modo de funcionamiento](#)

### 5.3.3 Entr. analóg. 1

Permite llevar a cabo los ajustes siguientes, según el tipo de sensor:

- Señal de salida del sensor: "-" (inactiva), 0-20 mA, 4-20 mA, 0-10 V o 2-10 V.
- Unidad de ajuste de rango: bar o psi.

Hay dos paneles frontales disponibles para la unidad de control CU 301: uno en bar y otro en psi. Es decir, el panel frontal en bar puede sustituirse por el panel frontal en psi y viceversa.



El sensor de presión debe sustituirse por otro sensor que detecte la presión en la unidad real de medida.

Al sustituir el panel frontal, la pantalla cambiará automáticamente de bar a psi o viceversa.

### Relación con otras pantallas:

La unidad de medida que aparezca en la pantalla *Valor, sens. 1* será idéntica a la del panel frontal.

### Ajuste de fábrica

Señal de salida del sensor: 4-20 mA

Unidad de ajuste de rango: bar o psi. Unidad ajustada automáticamente por el panel frontal.

### Información relacionada

[5.2.2 Valor, sens. 1](#)

[8. Datos técnicos](#)

### 5.3.4 Presión máxima

La presión máxima establecida será igual al mayor ajuste posible del valor de presión del punto de ajuste.

### 5.3.5 Rearranq. autom.

Permite configurar el tiempo que debe transcurrir entre la parada y el intento de rearmado automático.

Pueden seleccionarse los siguientes ajustes:

- "Activado";
- "Desactiv.";
- de 0 a 254 minutos.

### Ajuste de fábrica

"5 minutos".

### 5.3.6 Mom. doble rearm.

Pueden seleccionarse los siguientes ajustes:

- "Activado";
- "Desactiv.".

Al seleccionar "Activado", el tiempo de rearmado se duplicará automáticamente por cada 10 paradas del motor causadas por una alarma. El tiempo se duplicará hasta alcanzar un tiempo de parada de 4 horas. Tras 10 horas de funcionamiento sin que se produzca una alarma, el tiempo de rearmado se ajustará automáticamente a uno de los valores siguientes:

- El tiempo establecido en el campo "Tiempo".
- 5 minutos (ajuste de fábrica), si no se ha establecido ningún valor en el campo "Tiempo".

### 5.3.7 Parada marcha en seco

El valor de parada por marcha en seco (límite de potencia por marcha en seco) viene ajustado de fábrica.

Dicho valor depende del motor en cuestión.

Asimismo, el ajuste de fábrica depende de la potencia nominal del motor. Consulte la sección [Datos técnicos](#).

Si se va a habilitar la protección contra marcha en seco, debe establecerse en esta pantalla el valor mínimo de entrada de potencia de la bomba.

Para obtener más información, consulte la sección [Protección contra marcha en seco](#).

Rango de ajuste: 0-2.500 W.

#### Relación con otras pantallas

La protección contra marcha en seco debe estar ajustada como "Activado" (consulte la sección [Protección contra marcha en seco](#)).

En la pantalla [Consumo de potencia](#) puede consultarse la entrada de potencia real de la bomba.

#### Ajuste de fábrica

Potencia del motor	Parada marcha en seco
0,7 kW	300 W
0,7 kW (SQ/SQE 2-55)	550 W
1,15 kW	680 W
1,55 kW	800 W
1,85 kW	900 W

#### Información relacionada

[4.7 Protección contra marcha en seco](#)

[5.2.5 Consumo de potencia](#)

[5.3.9 Vel. puesta en serv.](#)

[7.1 Localización de averías con Grundfos GO Remote](#)

[8. Datos técnicos](#)

### 5.3.8 Velocidad máxima

Permite ajustar la velocidad máxima.

Intervalo de ajuste: 3,000-10,700 min<sup>-1</sup>.

#### Ajuste de fábrica

10.700 min<sup>-1</sup>.

#### Información relacionada

[5.3.1 Modo de funcionamiento](#)

### 5.3.9 Vel. puesta en serv.

Si la bomba está sobredimensionada o los niveles de agua son sumamente variables, esta función puede generar una presión excesiva durante el arranque en comparación con la presión deseada de descarga. Por lo tanto, la velocidad de puesta en servicio puede reducirse para compensar esta situación.

Rango de ajuste: 3.000 - 10.700 min<sup>-1</sup> (en intervalos de 100 min<sup>-1</sup>).

#### Parada por marcha en seco con reducción de la velocidad máxima de la bomba:

Si se ha reducido la velocidad máxima de la bomba, deberá modificarse el valor de parada por marcha en seco en la pantalla [Parada marcha en seco](#).

#### Calculo del límite inferior de potencia:



Si la bomba está deteriorada, podría ser necesario recalcular el límite inferior de potencia.



El valor calculado se usa en la pantalla [Parada marcha en seco](#).

Paso	Acción
1	Arranque la bomba contra una válvula de descarga cerrada.
2	Lea la entrada de potencia (P1) en la pantalla <a href="#">Consumo de potencia</a>
3	Calcule el límite inferior de potencia de la forma siguiente: límite de potencia [W] = P1 × 0,9.

#### Ajuste de fábrica

8.200 min<sup>-1</sup>.

#### Información relacionada

[5.2.5 Consumo de potencia](#)

[5.3.7 Parada marcha en seco](#)

### 5.3.10 Botones prod.

Puede deshabilitar el botón de encendido/apagado de la unidad de control CU 301 por motivos de seguridad.

Puede seleccionar los siguientes estados para el botón de encendido/apagado:

- "Activo";
- "Inactivo".

#### Ajuste de fábrica

"Activo".

#### Información relacionada

[4.4 Bloqueo de los botones](#)

### 5.3.11 Número

Puede asignar un número a la unidad de control CU 301 y a la bomba conectada. La unidad de control CU 301 y la bomba deben tener el mismo número.



Cuando se asigne un número, deberá desconectarse el suministro eléctrico del resto de las unidades de control CU 301, si existieran.

Intervalo de ajuste: "Inactivo", 1, 2,... 199.

Una vez configurado el número, el ajuste de fábrica ("Inactivo") dejará de estar disponible.

Si la unidad de control CU 301 y la bomba no tienen el mismo número, se activará la alarma "Sin contacto".

#### Ajuste de fábrica

"Inactivo".

#### Información relacionada

[7.1 Localización de averías con Grundfos GO Remote](#)

### 5.3.12 Luces indicadoras

El ajuste de los indicadores luminosos puede modificarse en Grundfos GO Remote.

Ajustes disponibles:

- "Luces funcion." durante el funcionamiento de la bomba (ajuste de fábrica).
- "Luces constantes" durante el funcionamiento de la bomba.

#### Información relacionada

[4.2 Indicación de funcionamiento de la bomba](#)

### 5.3.13 Guardar ajustes

Permite guardar la configuración seleccionada para usarla posteriormente.

### 5.3.14 Recuperar config.

Permite recuperar el último grupo de ajustes guardados para aplicárselo a la bomba.

### 5.3.15 Anular

Permite deshacer los cambios realizados anteriormente en los ajustes.

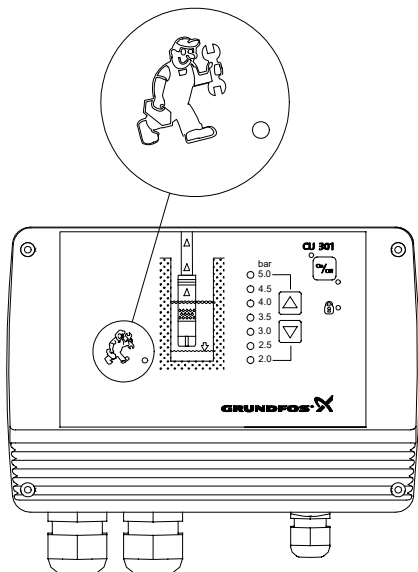
### 5.3.16 Conf. unidad

Permite elegir entre unidades del SI y unidades anglosajonas (US). El ajuste puede afectar a todos los parámetros en general o aplicarse a un determinado parámetro.



## 6. Mantenimiento y revisión del producto

La unidad de control CU 301 recibe continuamente datos de funcionamiento de la bomba. Si se produce una alarma, el indicador luminoso de servicio permanecerá encendido.



TM018327

*Indicador de alarma de servicio*

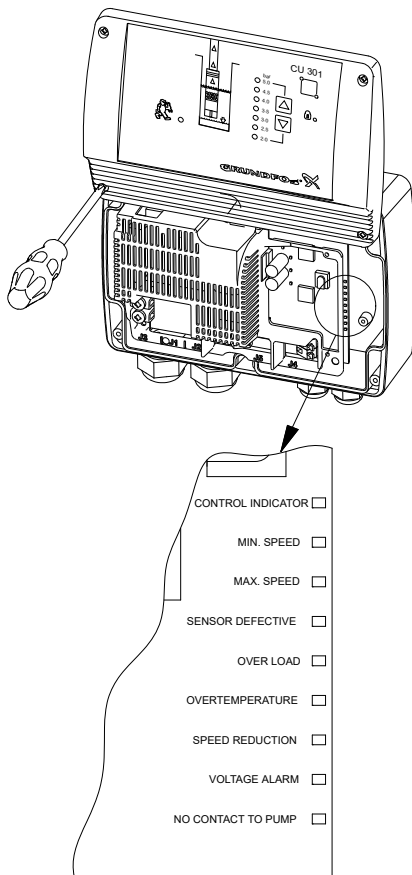
El indicador luminoso de servicio permanecerá encendido si se produce alguna de las siguientes situaciones de alarma:

- sensor defectuoso;
- sobrecarga;
- exceso de temperatura;
- reducción de velocidad;
- alarma de tensión;
- sin contacto con la bomba.

Para identificar la causa de la alarma de servicio, habrá que desmontar el panel frontal de la unidad de control CU 301. Monte el panel frontal como se muestra en la fig. *Indicadores LED y descripciones de alarmas del panel de alimentación* para evitar la desconexión del cable multiconductor.

El panel de alimentación del interior de la unidad de control CU 301 incorpora varios indicadores LED. Consulte la sección *4.8 Ubicación de los indicadores LED*.

La figura *Indicadores LED y descripciones de alarmas del panel de alimentación* muestra los indicadores LED y las descripciones de alarmas del panel de alimentación.



TM018435

*Indicadores LED y descripciones de alarmas del panel de alimentación*

### Información relacionada

[4.8 Ubicación de los indicadores LED](#)

## 7. Localización de averías del producto

### PELIGRO

#### Descarga eléctrica

Riesgo de muerte o lesión personal grave



- Antes de comenzar a trabajar con el producto, asegúrese de que el suministro eléctrico esté desconectado y no pueda conectarse accidentalmente.
- Los trabajos de localización de averías, mantenimiento y revisión debe llevarlos a cabo personal cualificado.

## 7.1 Localización de averías con Grundfos GO Remote

La forma más sencilla de localizar averías en el producto es mediante Grundfos GO Remote. Los códigos de error pueden extraerse de la unidad y leerse en el dispositivo.

Avería	Posible causa	Solución
1 El panel frontal no se ilumina.	a) La conexión del cable multifilar es incorrecta o defectuosa.	<ul style="list-style-type: none"> <li>¿Parpadea el indicador LED de control?</li> <li>Si no es así, la unidad de control CU 301 presenta algún defecto.</li> <li>Compruebe que la conexión del cable multifilar sea correcta.</li> </ul> <p>Si lo es, la unidad de control CU 301 presenta algún defecto. Póngase en contacto con Grundfos.</p>
2 La bomba no arranca. El indicador luminoso verde del botón de encendido/apagado está encendido. No se indican alarmas.	a) La unidad de control CU 301 o la bomba presentan algún defecto.	<ul style="list-style-type: none"> <li>Compruebe que el indicador LED de control esté parpadeando.</li> <li>Si no es así, la unidad de control CU 301 presenta algún defecto.</li> <li>Compruebe que la presión del sistema esté 0,5 bar por debajo del ajuste de presión.</li> </ul> <p>Si es así, la bomba debería arrancar. Abra un grifo para asegurarse.</p> <p>Si la bomba arranca, es probable que no haya ningún problema en el sistema.</p> <p>Puede comprobar la presión del sistema en el manómetro. <ul style="list-style-type: none"> <li>Consulte el punto 13 para comprobar el sensor de presión.</li> </ul> <p>Si la bomba sigue sin arrancar, siga los pasos descritos a continuación:</p> <ul style="list-style-type: none"> <li>Mantenga pulsado el botón de encendido/apagado durante 5 segundos.</li> </ul> <p>Si la bomba arranca, la unidad de control CU 301 o el sensor pueden presentar algún defecto.</p> <p>Tenga en cuenta que no se estará controlando la presión y esta podría aumentar hasta un valor alto.</p> </p>
3 La presión no es constante.	a) La bomba no es del tipo adecuado o la presión de precarga del depósito de membrana es incorrecta.	<ul style="list-style-type: none"> <li>Compruebe que el indicador LED de velocidad máxima o mínima esté encendido.</li> <li>Si es así, esto indica que la bomba ha alcanzado un límite. Consulte la sección <a href="#">3.2 Dimensionamiento del sistema</a>. Sustituya la bomba si es necesario.</li> <li>Compruebe la presión de precarga del depósito de membrana.</li> </ul> <p>Recuerde detener el sistema y drenarlo antes de comprobar la presión.</p> <ul style="list-style-type: none"> <li>Compruebe si el sensor está ubicado lejos del grifo.</li> </ul> <p>Si es así, las variaciones de presión pueden estar causadas por las pérdidas de fricción. Consulte la sección <a href="#">2.3 Ubicación del sensor de presión</a>.</p>
4 La bomba funciona de manera continua.	a) La bomba no puede proporcionar la presión ajustada. La unidad de control CU 301 o el sensor presentan algún defecto.	<ul style="list-style-type: none"> <li>Intente reducir el ajuste de presión. Consulte la sección <a href="#">3.2 Dimensionamiento del sistema</a>.</li> <li>Tenga en cuenta que la bomba puede funcionar durante unos 15 o 20 segundos antes de detenerse.</li> <li>Compruebe que el indicador LED de control esté parpadeando.</li> <li>Compruebe que el extremo de la tubería del sensor no esté obstruido.</li> </ul> <p>Si lo está, elimine la obstrucción.</p> <ul style="list-style-type: none"> <li>Intente parar la bomba mediante el botón de encendido/apagado.</li> </ul> <p>Si no es posible, esto significa que la unidad de control CU 301 presenta algún defecto. Sustituya la unidad de control CU 301. <ul style="list-style-type: none"> <li>Consulte el punto 13 para comprobar el sensor de presión.</li> </ul> </p>

Avería	Posible causa	Solución
5 La unidad de control CU 301 tiene encendido el indicador luminoso "Sin contacto con la bomba".	a) No se está usando un motor MSE 3.	Si la bomba ya había funcionado correctamente con una unidad de control CU 301 o CU 300, es de esperar que se esté usando un motor MSE 3.  No existe ningún método para determinar el tipo de motor. La única forma es consultar la placa de características grabada en la camisa del motor.
	b) El cable de la bomba tiene una longitud superior a 200 metros.	Acorde el cable de la bomba.
	c) El cable se ha roto.	Desconecte el suministro eléctrico de la unidad de control CU 301.  Vuelva a conectar el suministro eléctrico. Ahora, la bomba estará conectada directamente al suministro eléctrico sin interferencias por parte de la unidad de control CU 301.  ¿Arranca el motor? <ul style="list-style-type: none"> <li>• <b>Sí:</b> el cable está en buen estado. Vaya al apartado d).</li> <li>• <b>No:</b> vuelva a desconectar el suministro eléctrico. Desconecte el cable y el enchufe del motor y lleve a cabo una prueba de alta tensión para el cable y el enchufe.</li> </ul> ¿El cable está en buen estado? <ul style="list-style-type: none"> <li>• <b>Sí:</b> el motor está defectuoso. Sustituya el motor.</li> <li>• <b>No:</b> sustituya el cable.</li> </ul>
	d) Interferencias de comunicación con una unidad de control CU 301 próxima.	Si hay alguna otra unidad de control CU 301 instalada: <ul style="list-style-type: none"> <li>• Asegúrese de que cada unidad tenga asignado un número único. Consulte la sección <a href="#">5.3.11 Número</a>.</li> <li>• Si los cables de las bombas están tendidos en paralelo, sepárelos físicamente 30-35 cm (12-14 in) o vuelva a realizar el cableado usando cable apantallado.</li> </ul>
	e) El módulo de comunicación de la unidad de control CU 301 presenta algún defecto.	¿Están encendidos los tres indicadores LED de las pos. 2, 3 y 4 del panel de alimentación de la unidad de control CU 301 y parpadea el indicador LED de control? Consulte la sección <a href="#">4.8 Ubicación de los indicadores LED</a> . <ul style="list-style-type: none"> <li>• <b>Sí:</b>  El suministro eléctrico es correcto. Asigne un número nuevo al sistema.  Si esto no resuelve el problema, eso significa que la unidad de control CU 301 o el módulo de comunicación del motor presentan algún defecto.  Sustituya la unidad de control CU 301 y asigne un número del 1 al 64 al nuevo sistema para mantener la correspondencia entre la numeración de la bomba SQE y la unidad de control CU 301.  Tenga en cuenta que dos sistemas conectados a una misma red de suministro eléctrico no pueden tener asignado el mismo número.  ¿El indicador LED "Sin contacto con la bomba" de la unidad de control CU 301 también está encendido?  <ul style="list-style-type: none"> <li>• <b>Sí:</b> la unidad de control CU 301 está en buen estado.</li> <li>• <b>No:</b> la unidad de control CU 301 desmontada está defectuosa.</li> </ul> </li> </ul>
f) El módulo de comunicación del motor MSE 3 presenta algún defecto.	Una vez realizadas las comprobaciones anteriores, sustituya el motor MSE 3.	

Avería	Posible causa	Solución
6	Incluso después de sustituirla, la unidad de control CU 301 sigue teniendo encendido el indicador luminoso "Sin contacto con la bomba".	<p>a) La numeración de la bomba SQE y la unidad de control CU 301 es diferente.</p> <p>Si se ha asignado un número a un sistema SQE/CU 301, este número quedará almacenado en la bomba SQE y en la unidad de control CU 301.</p> <p>Si la unidad de control CU 301 es nueva, es probable que su número no coincida con el almacenado en la bomba SQE. Por lo tanto, el indicador luminoso "Sin contacto con la bomba" permanecerá encendido incluso aunque no exista una avería.</p> <p>Asigne un número del 1 y al 64 al nuevo sistema para mantener la correspondencia entre la numeración de la bomba SQE y la unidad de control CU 301.</p> <p>Tenga en cuenta que dos sistemas conectados a una misma red de suministro eléctrico no pueden tener asignado el mismo número.</p>
7	La unidad de control CU 301 indica "Sobretensión" o "Subtensión".	<p>a) La tensión de alimentación es inestable o se encuentra fuera del rango de tensión especificado para el tipo de motor instalado.</p> <p>Compruebe (si es posible, durante un cierto período de tiempo) que la tensión de alimentación coincida con los valores siguientes.</p> <p>Rango de tensión para motores de 200-240 V:</p> <ul style="list-style-type: none"> <li>• El tipo de motor 0,70 kW es equivalente a 198-280 V.</li> <li>• El tipo de motor 1,15 kW es equivalente a 198-280 V.</li> <li>• El tipo de motor 1,55 kW es equivalente a 207-280 V.</li> <li>• El tipo de motor 1,85 kW es equivalente a 207-280 V.</li> </ul> <p>Rango de tensión para motores de 100-115 V:</p> <ul style="list-style-type: none"> <li>• El tipo de motor 0,70 kW es equivalente a 90-150 V.</li> </ul> <p>Dado que la tensión se detecta en el motor, tenga en cuenta la caída de tensión asociada al cable de la bomba.</p>
8	La unidad de control CU 301 indica "Marcha en seco".	<p>Si el consumo de potencia es inferior al ajuste de parada por marcha en seco durante un período acumulado de 5 segundos, la bomba se detendrá.</p> <p>a) El rendimiento de la bomba es demasiado alto para la producción del pozo.</p> <p>Sustituya la bomba por otra de menor tamaño o reduzca el rendimiento de la bomba.</p> <p>b) El filtro del pozo está obstruido.</p> <p>Compruebe la capacidad del pozo y restablezca el suministro de agua al pozo.</p> <p>c) El ajuste de parada por marcha en seco es incorrecto.</p> <p>Compruebe y corrija el ajuste. Consulte la sección <a href="#">5.3.7 Parada marcha en seco</a>.</p>
9	La unidad de control CU 301 indica "Reducción de velocidad" y "Subtensión".	<p>La función de reducción de velocidad está activada para reducir el rendimiento. Si la tensión de alimentación disminuye tanto que no se puede disponer de la corriente necesaria para mantener una velocidad de <math>3.000 \text{ min}^{-1}</math>, la bomba se detendrá.</p> <p>a) La tensión de alimentación es inestable o inferior al rango de tensión especificado para el tipo de motor instalado.</p> <p>Restablezca la tensión de alimentación correcta.</p> <p>b) La bomba no es del tipo adecuado.</p> <p>Instale una bomba del tipo adecuado.</p> <p>c) La caída de tensión en el cable de la bomba es demasiado grande.</p> <p>Sustituya el cable de la bomba.</p>
10	La unidad de control CU 301 indica "Reducción de velocidad" y "Sobrecarga".	<p>La función de reducción de velocidad está activada para reducir el rendimiento.</p> <p>a) La bomba está deteriorada u obstruida.</p> <p>Lleve a cabo el mantenimiento de la bomba.</p> <p>b) La bomba es demasiado grande para el motor instalado.</p> <p>Sustituya la bomba o el motor.</p>
11	La unidad de control CU 301 indica "Exceso de temperatura".	<p>El sensor de temperatura del motor detecta una temperatura superior a los valores establecidos en los ajustes de fábrica. Consulte la sección <a href="#">8. Datos técnicos</a>.</p> <p>a) Refrigeración insuficiente del motor.</p> <p>Restablezca la refrigeración correcta del motor. La velocidad del caudal a través del motor debe ser de, al menos, 0,15 m/s.</p>

Avería	Posible causa	Solución
12 La unidad de control CU 301 indica "Sobrecarga".	a) La bomba está deteriorada u obstruida.	Lleve a cabo el mantenimiento de la bomba.
	b) La bomba es demasiado grande para el motor instalado.	Sustituya la bomba o el motor.
13 La unidad de control CU 301 indica "Sensor defectuoso".	a) El sensor de presión presenta algún defecto.	<p>Compruebe que el sensor esté instalado correctamente.</p> <p>Compruebe que el ajuste de Grundfos GO Remote para el sensor sea correcto.</p> <p>Si la señal del sensor es de 4-20 mA, mida la corriente de la señal.</p> <p>Si la corriente es superior a 2 mA, eso significa que el sensor y los cables están en buen estado.</p> <p>Si la corriente es inferior a 2 mA, eso significa que el sensor o los cables presentan algún defecto.</p> <p>Sustituya los componentes defectuosos.</p> <p>¿Están encendidos el indicador LED "Sensor defectuoso" y el indicador LED de la pos. 1? Consulte la sección <a href="#">4.8 Ubicación de los indicadores LED</a>.</p> <ul style="list-style-type: none"> <li>• <b>Sí:</b> la carga total correspondiente a la tensión de 24 V CC del terminal 5 es superior a 100 mA. Desconecte el sensor para determinar si presenta algún defecto. Si es así, sustituya el sensor defectuoso.</li> <li>• <b>No:</b> la carga es correcta, pero la entrada del sensor de la unidad de control CU 301 puede estar defectuosa.</li> </ul>
14 La bomba arranca y se detiene.	a) No existe comunicación.	<p>Compruebe si el indicador LED "Sin contacto con la bomba" está encendido.</p> <p>Si es así, eso significa que la unidad de control CU 301 arranca y para la bomba basándose únicamente en la señal del sensor. La unidad de control CU 301 debe restablecerse cada 250 paradas.</p> <p>Consulte la avería n.º 5 para conocer la solución a este problema.</p>

## Información relacionada

[2.3 Ubicación del sensor de presión](#)

[3.2 Dimensionamiento del sistema](#)

[4.6 Alarma de servicio](#)

[4.8 Ubicación de los indicadores LED](#)

[5.3.7 Parada marcha en seco](#)

[5.3.11 Número](#)

[8. Datos técnicos](#)

## 8. Datos técnicos

### Tensión de alimentación

1 × 100-240 V - 10 %/+ 6 %, 50/60 Hz, PE.

### Consumo de potencia

5 W.

### Fusible de protección

16 A, máximo.

### Consumo de potencia

130 mA, máx.

### Transmisión de señales a través del cable de alimentación

Modulación por desplazamiento de frecuencia (FSK) (132,45 kHz, ± 0,6 kHz).

### Categoría de aislamiento

IP55.

Tipo 3R.

### Longitud máxima del cable entre la unidad de control CU 301 y la bomba

300 metros.

### Temperatura ambiente

- Durante el funcionamiento: -30 °C a +45 °C. El producto no debe exponerse a la luz solar directa.
- Durante el almacenamiento: de -30 a +60 °C.

### Peso

1,35 kg.

### Humedad relativa

95 %, máx.

### Materiales

La caja de la unidad de control CU 301 está fabricada en PPO negro.

### EMC (compatibilidad electromagnética)

Conforme a la norma EN 60730-1.

### Grado de contaminación

Categoría 2

### Aislamiento básico

Categoría 3

### Tipo de acción de control

Tipo 1.

### Función de control del software

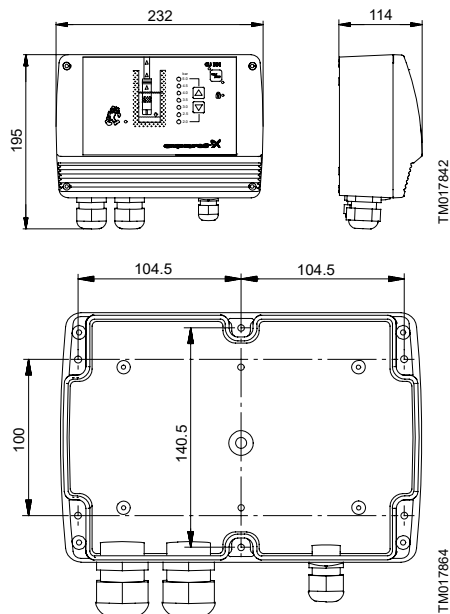
Clase A.

### Relé de funcionamiento

Corriente máxima: 0,5 A.

Tensión máxima: 230 V CA.

### Plano dimensional



### Entrada para sensores

Señal de tensión:

0-10 V CC/2-10 V CC,  $R_i = 11 \text{ k}\Omega$ .

Tolerancia: ±3 % con la señal de tensión máxima.

Se recomienda usar un cable apantallado.

Longitud máxima del cable: 500 m.

Señal de corriente:

CC 0-20 mA/4-20 mA,  $R_i = 500 \Omega$ .

Tolerancia: ±3 % con la señal de corriente máxima.

Se recomienda usar un cable apantallado.

Longitud máxima del cable: 500 m.

Sensor externo

## Ajustes de fábrica

Alarma	Motores de 200-240 V				Motores de 100-115 V
	0,7 kW	1,15 kW	1,55 kW	1,85 kW	0,7 kW
Sobretensión 1)	280 V CA	280 V CA	280 V CA	280 V CA	150 V CA
Subtensión	Reducción de velocidad: 198 V	Reducción de velocidad: 198 V	Reducción de velocidad: 207 V	Reducción de velocidad: 207 V	Reducción de velocidad: 90 V
	Límite de parada: 150 V	Límite de parada: 150 V	Límite de parada: 150 V	Límite de parada: 150 V	Límite de parada: 75 V
Parada por marcha en seco	300 W 550 W 2)	680 W	800 W	900 W	300 W
Protección contra marcha en seco	"Activo" (ajuste de Grundfos GO Remote); Consulte la sección <a href="#">4.7 Protección contra marcha en seco</a> .				
reducción de velocidad;	Relacionada con la subtensión o la sobrecarga				
Temperatura de los componentes electrónicos	Límite de parada: 60 °C	Límite de parada: 65 °C;	Límite de parada: 65 °C;	Límite de parada: 70 °C	Límite de parada: 70 °C
	Rearranque: 50 °C	Rearranque: 55 °C	Rearranque: 55 °C	Rearranque: 60 °C	Rearranque: 60 °C
Sobrecarga	5,2 A	8,4 A	11 A	12 A	12 A
Alarma de sensor	"No se usa sensor" (ajuste de Grundfos GO Remote); Consulte la sección <a href="#">5.3.3 Entr. analóg. 1</a> .				

1) Motores de 200-240 V: funcionamiento garantizado hasta 280 V CA.

Motores de 100-115 V: funcionamiento garantizado hasta 150 V CA.

Para evitar paradas innecesarias, el límite de parada por sobretensión es el indicado.

2) Se aplica únicamente a las bombas SQ/SQE 2-55.

## Precisión de las lecturas de Grundfos GO Remote

Pantalla	Precisión
Presión real	±0,1 bar
Velocidad	± 1 %
Temperatura	± 5 %
Entrada de potencia y consumo de potencia	± 5 %

## Sensor

La precisión de la señal del sensor depende del tipo de sensor. Consulte las especificaciones del sensor en cuestión.

## Información relacionada

[2.2 Conexión eléctrica](#)

[4.7 Protección contra marcha en seco](#)

[4.8 Ubicación de los indicadores LED](#)

[5.3.7 Parada marcha en seco](#)

[5.3.3 Entr. analóg. 1](#)

[7.1 Localización de averías con Grundfos GO Remote](#)



## 9. Eliminación del producto

Este producto o las piezas que lo componen deben eliminarse de forma respetuosa con el medio ambiente.

1. Utilice un servicio público o privado de recogida de residuos.
2. Si ello no fuese posible, póngase en contacto con el distribuidor o taller de mantenimiento de Grundfos más cercano.



El símbolo con el contenedor tachado que aparece en el producto significa que este no debe eliminarse junto con la basura doméstica. Cuando un producto marcado con este símbolo alcance el final de su vida útil, debe llevarse a un punto de recogida selectiva designado por las autoridades locales competentes en materia de gestión de residuos. La recogida selectiva y el reciclaje de este tipo de productos contribuyen a proteger el medio ambiente y la salud de las personas.

Consulte también la información disponible en [www.grundfos.com/product-recycling](http://www.grundfos.com/product-recycling)

## 10. Comentarios sobre la calidad de este documento

Para enviar sus comentarios acerca de este documento, escanee el código QR con la cámara de su teléfono o una app de códigos QR.



FEEDBACK9406808

*Haga clic aquí para enviar sus comentarios*

# Français (FR) Notice d'installation et de fonctionnement

## Traduction de la version anglaise originale

### Sommaire

<b>1. Généralités</b>	<b>58</b>
1.1 Mentions de danger	58
1.2 Remarques	58
<b>2. Installation du produit</b>	<b>59</b>
2.1 Installation mécanique	59
2.2 Branchement électrique	60
2.3 Positionnement du capteur de pression	61
2.4 Réglages de la pression de précharge	62
2.5 Soupape de décharge de pression	62
<b>3. Présentation du produit</b>	<b>62</b>
3.1 Description	62
3.2 Dimensions de l'installation	65
3.3 Usage prévu	67
<b>4. Fonctions de régulation</b>	<b>68</b>
4.1 Bouton marche/arrêt	68
4.2 Indication du fonctionnement de la pompe	68
4.3 Réglage de la pression	69
4.4 Verrouillage des boutons	69
4.5 Fonctions d'alarme	69
4.6 Alarme de maintenance	70
4.7 Protection contre la marche à sec	70
4.8 Position des LED	71
4.9 Présentation du menu Grundfos GO Remote	73
<b>5. Réglage du produit</b>	<b>74</b>
5.1 CU 301 avec Grundfos GO Remote	74
5.2 État	74
5.3 Réglages	75
<b>6. Maintenance</b>	<b>78</b>
<b>7. Dépannage</b>	<b>79</b>
7.1 Dépannage avec Grundfos GO Remote	79
<b>8. Caractéristiques techniques</b>	<b>84</b>
<b>9. Mise au rebut</b>	<b>86</b>
<b>10. Commentaires sur la qualité des documents</b>	<b>86</b>

## 1. Généralités



Lire attentivement ce document avant de procéder à l'installation. L'installation et le fonctionnement doivent être conformes à la réglementation locale et aux bonnes pratiques en vigueur.

## 1.1 Mentions de danger

Les symboles et les mentions de danger ci-dessous peuvent être mentionnés dans la notice d'installation et de fonctionnement, dans les consignes de sécurité et les instructions de maintenance Grundfos.



### DANGER

Signale une situation dangereuse qui, si elle n'est pas évitée, entraîne la mort ou des blessures graves.



### AVERTISSEMENT

Signale une situation dangereuse qui, si elle n'est pas évitée, peut entraîner la mort ou des blessures graves.



### ATTENTION

Signale une situation dangereuse qui, si elle n'est pas évitée, peut entraîner des blessures mineures ou modérées.

Les mentions de danger sont organisées de la manière suivante :

### TERME DE SIGNALLEMENT



#### Description du danger

Conséquence de la non-observance de l'avertissement

- Action pour éviter le danger.

## 1.2 Remarques

Les symboles et les remarques ci-dessous peuvent être mentionnés dans la notice d'installation et de fonctionnement, dans les consignes de sécurité et les instructions de maintenance Grundfos.



Observer ces instructions pour les produits antidéflagrants.



Un cercle bleu ou gris autour d'un pictogramme blanc indique que des mesures doivent être prises.



Un cercle rouge ou gris avec une barre diagonale, autour d'un pictogramme noir éventuel, indique qu'une action est interdite ou doit être interrompue.



Si ces consignes de sécurité ne sont pas respectées, cela peut entraîner un dysfonctionnement ou endommager le matériel.



Conseils et astuces pour faciliter les opérations.

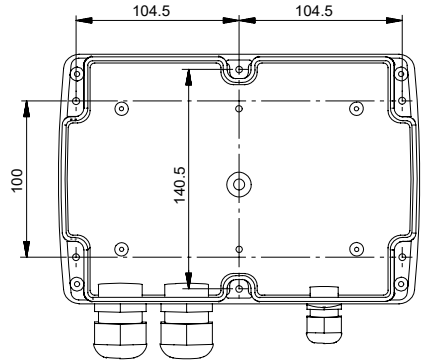
## 2. Installation du produit

### DANGER

#### Choc électrique

Mort ou blessures graves

- Avant toute intervention, s'assurer que l'alimentation électrique a été coupée et qu'elle ne risque pas d'être réenclenchée accidentellement.
- Utiliser la taille de fusible recommandée.
- Vérifier que la tension d'alimentation correspond aux valeurs indiquées sur la plaque signalétique.
- L'utilisateur ou l'installateur est responsable de la conformité de la mise à la terre et de la protection conformément aux réglementations locales.



TM017864

### Dimensions

Le CU 301 est fourni avec des bagues spéciales pour l'entrée des câbles Pg. Les bagues spéciales sont adaptées aux câbles plats et aux câbles unipolaires.

## 2.1 Installation mécanique

Le CU 301 peut être installé à l'intérieur comme à l'extérieur. L'unité de commande ne doit pas être exposée au rayonnement direct du soleil.

### 2.1.1 Installation du CU 301

Le CU 301 est conçu pour un montage mural.

Le boîtier contient six trous de fixation ( $\varnothing 4$ ). Voir fig. [Dimensions](#). Les dimensions sont en mm.. The dimensions are in mm.

Le CU 301 doit être installé comme suit :

- À l'horizontale, pour permettre l'écoulement de l'eau condensée. Voir fig. [Dimensions](#).

Sur une surface plane pour éviter de déformer le boîtier.

## 2.2 Branchement électrique

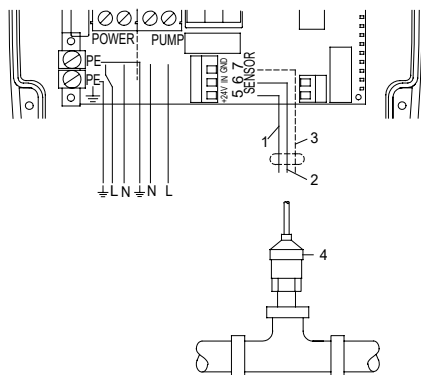
Pour connaître les tailles de fusibles recommandées, voir paragraphe 8. *Caractéristiques techniques*.

Le CU 301 comprend deux borniers :

- Visser les bornes 1 à 4.
- Serrer les bornes 5 à 7.

De plus, le CU 301 est muni de deux bornes à visser pour les câbles de mise à la terre (PE).

Le bouton Marche/Arrêt du CU 301 ne doit pas être utilisé comme interrupteur de sécurité lors de l'installation et de l'entretien de la pompe.



TW017720

Raccordement électrique du CU 301

### Légende

Pos.	Description
1	Capteur de pression standard. +24 VCC, fil brun, borne 5.
2	Capteur de pression standard. Signal d'entrée, fil noir, borne 6.
3	Capteur de pression standard. Écran, borne 7.
4	Capteur de pression standard.

### Informations connexes

#### 8. Caractéristiques techniques

## 2.2.1 Alimentation principale

### ALIMENTATION, bornes 1, 2 et PE

Brancher les fils de phase et du neutre de l'alimentation principale aux bornes 1 et 2. Chaque borne peut être connectée indifféremment aux deux fils.

Brancher le fil de mise à la terre vert et jaune à la borne PE. Chaque borne PE ne doit être connectée qu'à un fil de mise à la terre.

La section maximale des fils à brancher est de 6 mm<sup>2</sup>.

Fusible de protection : Maximum 16 A.



Les fils de l'alimentation principale ne doivent pas être branchés aux bornes 3 et 4 (POMPE).

## 2.2.2 Alimentation pompe

### POMPE, bornes 3, 4 et PE

Brancher les fils de la phase et du neutre de la pompe aux bornes 3 et 4. Chaque borne peut être connectée indifféremment aux deux fils.

Brancher le fil de mise à la terre vert et jaune à la borne PE. Chaque borne PE ne doit être connectée qu'à un fil de mise à la terre.

La section maximale des conducteurs à connecter est de 6 mm<sup>2</sup>.

### Capteur de pression

#### DANGER

#### Choc électrique

Mort ou blessures graves



- La charge totale de la borne 5, +24 VCC, ne doit pas dépasser 100 mA.

### CAPEUR, bornes 5, 6 et 7 :

Les bornes 5, 6 et 7 (CAPEUR) sont utilisées pour le capteur de pression.

Signaux capteur :

Le capteur à connecter doit émettre les signaux suivants :

- 0-10 V.
- 2-10 V.
- 0-20 mA.
- 4-20 mA.

La permutation entre les signaux d'intensité et de tension se fait par Grundfos GO Remote.

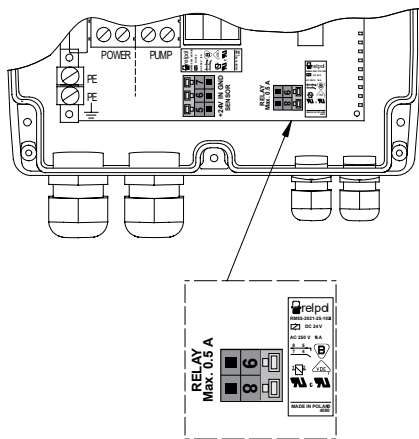
## Relais de fonctionnement

### RELAIS, bornes 8 et 9 :

Les bornes 8 et 9 (RELAIS) sont utilisées pour la connexion d'un émetteur de signal (son ou lumière).

Le relais de fonctionnement est normalement ouvert (NO) lorsque la pompe est éteinte, et se ferme lorsque la pompe s'allume.

- Intensité maximale : 0,5 A.
- Tension maximale : 230 VCA.

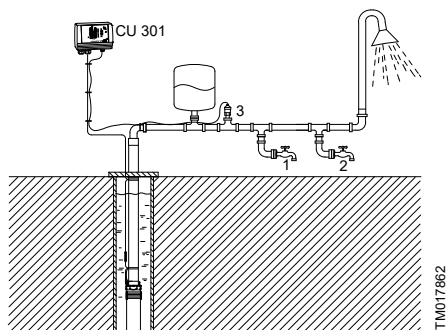


Raccordement électrique du relais de fonctionnement

TM070764

## 2.3 Positionnement du capteur de pression

Les pertes de pression posent souvent problème aux utilisateurs. Le CU 301 maintient une pression constante à l'endroit d'installation du capteur de pression.



TM017862

Position du capteur de pression

Pos.	Description
1	Robinet 1
2	Robinet 2
3	Capteur de pression

Dans la fig. *Position du capteur de pression*, le robinet 1 est placé près du capteur de pression. Dans ce cas, la pression reste presque constante au robinet 1, puisque la perte par friction est minimale. Au niveau de la douche et du robinet 2, la perte par friction est plus élevée. Cela dépend évidemment de la tuyauterie. Veuillez noter qu'une tuyauterie ancienne ou entartrée peut poser problème à cause de la perte par friction.

**Exemple :** une personne est sous la douche. Le robinet 2 est ouvert. L'augmentation de débit entraîne une perte de pression dans la tuyauterie, et même si le CU 301 maintient une pression constante au capteur de pression, la personne dans la douche ressentira la perte de pression.

Si le capteur de pression est placé plus près du robinet de la douche, le CU 301 augmentera la pression à mesure que le débit augmente. La pression restera alors constante au robinet 2 et à la douche, mais la pression au robinet 1 augmentera. Nous recommandons l'installation du capteur de pression aussi proche que possible des points de distribution.

### Informations connexes

#### [7.1 Dépannage avec Grundfos GO Remote](#)

## 2.4 Réglages de la pression de précharge

La pression de précharge du réservoir à diaphragme doit être réglée à 70 % de la pression, afin d'utiliser le réservoir au maximum de ses capacités. Ce réglage est encore plus important si le volume du réservoir est limité à 8 litres.

Référez-vous aux valeurs du tableau ci-dessous :

Réglage [bar]	Pression de précharge [bar]
2	1,4
2,5	1,8
3	2,1
3,5	2,5
4	2,8
4,5	3,2
5	3,5

Si la pression de précharge est plus élevée que le réglage de pression, l'installation ne pourra pas contrôler la pression.

Si l'utilisateur souhaite modifier la pression sans changer la pression de précharge du réservoir à diaphragme, la pression de précharge doit être égale à la moindre pression utilisée. Cela signifie que le contrôle de la pression fonctionne, mais que les fluctuations peuvent augmenter. Dans ce cas, nous recommandons d'utiliser un réservoir à diaphragme plus important, par exemple deux fois plus grand.

## 2.5 Soupape de décharge de pression

Pour assurer la protection contre une éventuelle surpression, installer une soupape de décharge de pression en aval de la tête du forage. Le point de consigne de la soupape de décharge doit être au moins 30 psi au-dessus du réglage de la pression. Voir paragraphe 5. *Réglage du produit.*

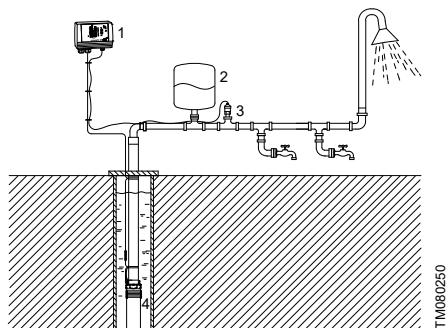
Si une soupape de secours est installée, nous recommandons de positionner la sortie dans un point de drainage approprié.

## 3. Présentation du produit

### 3.1 Description

L'installation permet de maintenir une pression constante avec des performances de pompages maximales, malgré une consommation d'eau variable.

La figure *Exemple d'installation* présente un exemple d'installation avec régulation à pression constante.



Exemple d'installation

Pos.	Description
1	CU 301
2	Réservoir à membrane
3	Capteur de pression
4	Pompe SQE

La pression est mesurée à l'aide d'un capteur de pression, qui transmet un signal au CU 301. Le CU 301 adapte les performances de la pompe en conséquence, en modifiant la vitesse de pompage.

### Signalisation de la borne d'alimentation

La communication entre le CU 301 et la pompe s'effectue via le câble d'alimentation.

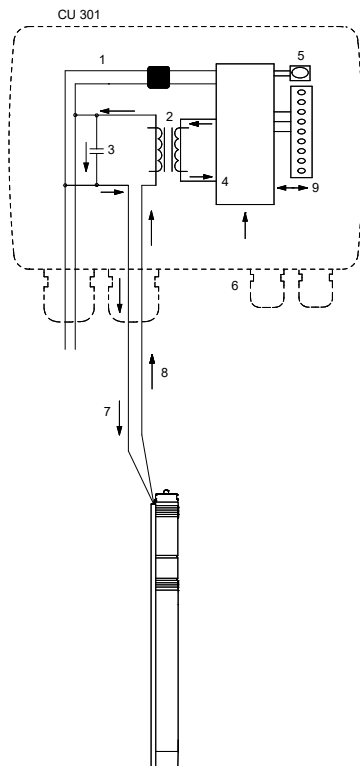
Ce principe est appelé la signalisation par la borne d'alimentation, ou communication par courants porteurs en ligne. Sur la base de ce principe, aucun câble additionnel n'est requis jusqu'à la pompe.

La communication des données est effectuée au moyen d'un signal haute fréquence transmis par le câble d'alimentation. Les bobines de déclenchement intégrées au moteur et au CU 301 relaient alors l'information à l'unité électronique.

Dans le cas où plusieurs câbles d'alimentation de pompe CU 301 sont montés en parallèle dans des chemins de câbles ou des conduits et sont situés à moins de 25-30 cm les uns des autres, il est possible que des communications indésirables se produisent. Lorsque ces communications se produisent, le

message "Sans contact" est généralement visible par intermittence ou en continu. D'autres erreurs imprévues peuvent également survenir.

La figure *Principe de signalisation par la borne d'alimentation (communication par courants porteurs en ligne)* montre le principe de communication par courants porteurs en ligne entre le CU 301 et la pompe.



TM070560

*Principe de signalisation par la borne d'alimentation (communication par courants porteurs en ligne)*

Pos.	Description
1	Alimentation des composants électroniques
2	Bobines de déclenchement
3	Condensateur
4	Composants électroniques pour le contrôle de la communication
5	Bouton marche/arrêt

Pos.	Description
6	Signal capteur
7	Alimentation électrique
8	Signaux de communication
9	Grundfos GO Remote

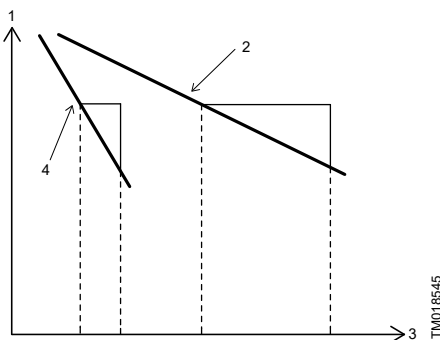
### Lors du démarrage de la pompe

La pompe démarre pour l'une des raisons suivantes :

- un débit important
- une pression basse
- une combinaison des deux.

Pour s'assurer du démarrage de la pompe en cas de consommation d'eau, un système de détection du débit est nécessaire. Le débit est provoqué par les variations de pression dans l'installation. Lorsque de l'eau est pompée, la pression diminue également, en fonction de la taille du réservoir à membrane et du débit de l'eau :

- en cas de faible débit, la pression diminue doucement.
- en cas de débit élevé, la pression diminue rapidement.



TM018545

Pos.	Description
1	Pression
2	Faible débit
3	Temps
4	Haut débit

Lorsque la pression chute de 0,1 bar/s ou plus vite, la pompe démarre immédiatement.

Si un réservoir à membrane de 8 litres est utilisé, la pompe démarre à un débit d'environ 0,18 m<sup>3</sup>/h. Si un réservoir plus important est utilisé, le débit doit être plus élevé pour que la pompe démarre.

### Consommation jusqu'à 0,18 m<sup>3</sup>/h

La pompe démarre lorsque la pression diminue de 0,5 bar sous la pression préréglée.

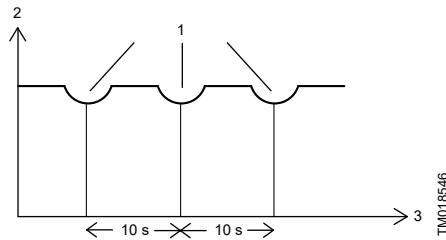
La pompe fonctionne jusqu'à ce que la pression atteigne 0,5 bar au-dessus de la pression préréglée.

### Détection du débit

Lors du fonctionnement de la pompe (lorsque de l'eau est consommée), le CU 301 ajuste la vitesse de la pompe pour maintenir une pression constante. Pour arrêter la pompe lorsque de l'eau n'est pas consommée, le CU 301 détecte le débit toutes les 10 secondes.

La vitesse de la pompe est réduite jusqu'à percevoir une légère baisse de pression. Cette baisse indique que l'eau est pompée et la vitesse de la pompe est rétablie. Voir fig. *Détection de débit toutes les 10 secondes pendant le fonctionnement*.

Si la vitesse de la pompe diminue alors qu'aucune baisse de pression n'a été détectée, cela indique qu'elle ne pompe pas d'eau. Le réservoir à membrane est rempli d'eau et la pompe s'arrête.



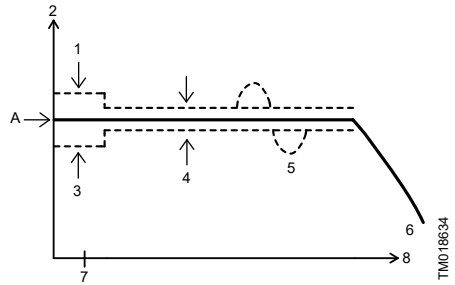
*Détection de débit toutes les 10 secondes pendant le fonctionnement*

Pos.	Description
1	Détection du débit
2	Pression
3	Temps

### Limites de l'installation

Bien que le CU 301 contrôle les changements de pression de l'ordre de  $\pm 0,2$  bar, des variations de pressions plus importantes peuvent survenir au sein de l'installation. Si la consommation change soudainement, par exemple à l'ouverture d'un robinet, l'eau doit commencer à circuler avant de pouvoir rétablir une pression constante. Ces variations dynamiques dépendent de la tuyauterie, mais sont généralement comprises entre 0,5 et 1 bar.

Si la consommation souhaitée est plus élevée que la quantité fournie par la pompe à la pression désirée, la pression suivra la courbe de la pompe comme illustré à la fig. *Variations possibles de la pression pendant le fonctionnement à pression constante*.



*Variations possibles de la pression pendant le fonctionnement à pression constante*

Pos.	Description
1	Arrêt + 0,5 bar
2	Pression
3	Démarrage - 0,5 bar
4	Contrôle $\pm 0,2$ bar
5	Variations dynamiques $\pm 0,5$ bar
6	Débit
7	0,18
8	m <sup>3</sup> /h
A	Pression réglée



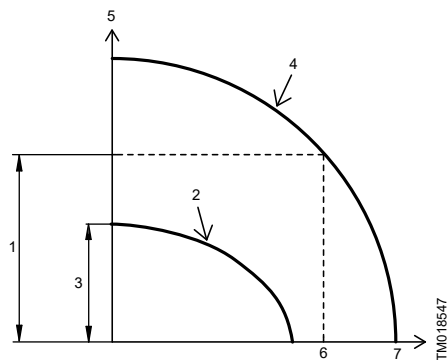
### 3.2 Dimensions de l'installation

Pour garantir le bon fonctionnement de l'installation, il faut veiller à ce que la pompe soit du type approprié.

Lors du fonctionnement, le CU 301 contrôle la vitesse de la pompe de 3000 min<sup>-1</sup> à 10.700 min<sup>-1</sup>. Voir fig.

[Courbes de pompe.](#)

Nous vous recommandons de suivre les indications ci-dessous :



*Courbes de pompe*

Pos.	Description
1	Hauteur manométrique max. au débit max.
2	Courbe de pompe à 3000 min <sup>-1</sup>
3	Hauteur manométrique min. sans débit
4	Courbe de pompe à 10.700 min <sup>-1</sup>
5	H [m]
6	Q <sub>max</sub>
7	Q [m <sup>3</sup> /h]

Respecter les règles suivantes :

1. Hauteur manométrique min. sans débit < hauteur statique + pression de service.
2. Hauteur manométrique max. au débit max. > hauteur dynamique + pression du système.

La hauteur manométrique max. au débit max. ainsi que la hauteur manométrique min. sans débit sont reprises dans le tableau suivant :

## Informations connexes

### 7.1 Dépannage avec Grundfos GO Remote

Type de pompe	Hauteur manométrique min. à $Q = 0 \text{ m}^3/\text{h}$ , $3000 \text{ min}^{-1}$	Hauteur manométrique max. à $Q = Q_{\text{max}}$ , $10.700 \text{ min}^{-1}$
	[m] / [pieds]	[m] / [pieds]
SQE 1-35	18 / 59	29 / 86
SQE 1-50	28 / 91	44 / 131
SQE 1-65	37 / 121	59 / 177
SQE 1-80	46 / 151	75 / 222
SQE 1-95	56 / 184	90 / 270
SQE 1-110	65 / 213	105 / 315
SQE 1-125	74 / 243	120 / 360
SQE 1-140	81 / 266	136 / 405
SQE 1-155	92 / 302	151 / 450
SQE 2-35	19 / 62	35 / 105
SQE 2-55	29 / 95	54 / 164
SQE 2-70	38 / 125	71 / 215
SQE 2-85	47 / 154	88 / 267
SQE 2-100	56 / 184	108 / 328
SQE 2-115	66 / 217	128 / 390
SQE 3-30	15 / 49	26 / 75
SQE 3-40	24 / 79	42 / 123
SQE 3-55	31 / 102	56 / 164
SQE 3-65	39 / 128	70 / 205
SQE 3-80	47 / 154	84 / 246
SQE 3-95	55 / 180	98 / 287
SQE 3-105	62 / 203	113 / 328
SQE 5-15	7,7 / 25	11 / 36
SQE 5-25	15 / 49	23 / 77
SQE 5-35	23 / 75	36 / 117
SQE 5-50	30 / 98	48 / 159
SQE 5-60	38 / 125	61 / 200
SQE 5-70	45 / 148	73 / 240
SQE 7-15	8,6 / 28	9 / 33
SQE 7-30	18 / 59	23 / 82
SQE 7-40	27 / 89	37 / 126

### 3.3 Usage prévu

#### **DANGER**

#### **Choc électrique**

Mort ou blessures graves



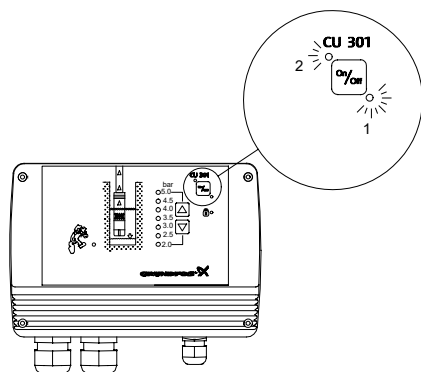
- Installer le produit horizontalement sur une surface plane afin de laisser l'eau condensée s'évacuer.

Le CU 301 est uniquement adapté aux pompes Grundfos SQE comprenant une correction du facteur de puissance (PFC). L'installation permet de maintenir une pression constante avec des performances de pompages maximales, malgré une consommation d'eau variable. La pression est mesurée à l'aide d'un capteur de pression, qui transmet un signal 4-20 mA au CU 301. Le CU 301 adapte les performances de la pompe en conséquence, pour maintenir une pression constante en modifiant la vitesse de pompage. Il est possible de connecter un relais de fonctionnement pour indiquer le fonctionnement de la pompe. Le produit est conçu pour une utilisation en extérieur.

## 4. Fonctions de régulation

### 4.1 Bouton marche/arrêt

La figure *Bouton marche/arrêt* présente le bouton marche / arrêt du CU 301.



*Bouton marche/arrêt*

Pos.	Description
1	Rouge
2	Vert

Les voyants lumineux vert et rouge sur le bouton marche/arrêt indiquent les conditions de fonctionnement de la pompe comme suit :

Indication	Description
Le voyant lumineux vert reste allumé.	L'installation est opérationnelle.
Le voyant lumineux vert est éteint.	L'installation n'est pas opérationnelle.
Le voyant lumineux rouge reste allumé.	La pompe a été éteinte à l'aide du bouton marche/arrêt. *
Le voyant lumineux rouge clignote.	Le CU 301 communique avec Grundfos GO Remote.

\* Si vous utilisez le bouton marche/arrêt pour arrêter la pompe, vous devez également l'utiliser pour la redémarrer.

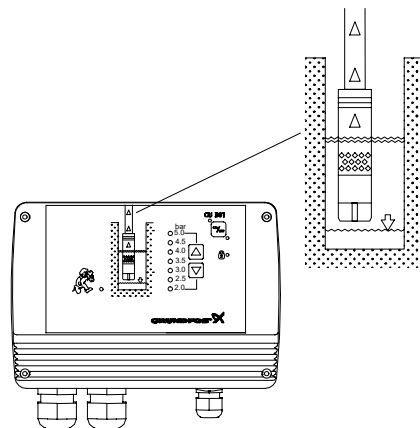
Toutes les alarmes peuvent être réinitialisées en appuyant sur le bouton marche/arrêt.

Si vous appuyez sur le bouton marche/arrêt pendant au moins 5 secondes, la pompe démarre, peu importe les défauts et alarmes en cours. Lorsque vous relâchez le bouton marche/arrêt, la pompe s'arrête.

### 4.2 Indication du fonctionnement de la pompe

Sur l'illustration à l'avant du CU 301, la colonne montante affiche un voyant fixe lorsque la pompe fonctionne.

Lorsque la pompe ne fonctionne pas, tous les voyants lumineux sont éteints.



*Indication du fonctionnement de la pompe*

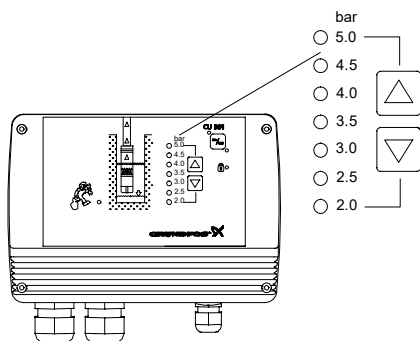
Vous pouvez modifier les paramètres des voyants lumineux à l'aide de Grundfos GO Remote. Voir paragraphe [5.3.12 Voyants lumineux](#).

### Informations connexes

[5.3.12 Voyants lumineux](#)

### 4.3 Réglage de la pression

Les deux boutons fléchés sur l'avant du CU 301 sont utilisés pour le réglage de la pression.



Réglage et indication de la pression

#### Indication du réglage de la pression

Le réglage de la pression du système est indiqué par un voyant lumineux jaune fixe.

Plage de réglage : 2, 2,5... 5,0 bar.

#### Flèche vers le haut

Lorsque vous appuyez sur ce bouton, le réglage de la pression de service augmente de 0,5 bar.

#### Flèche vers le bas

Lorsque vous appuyez sur ce bouton, le réglage de la pression de service diminue de 0,5 bar.

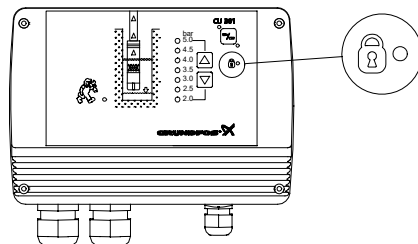
### 4.4 Verrouillage des boutons

Les boutons du CU 301 peuvent être verrouillés ou déverrouillés en appuyant simultanément sur les deux boutons fléchés pendant 5 secondes ou en utilisant Grundfos GO Remote.

Si vous utilisez les boutons fléchés pour le verrouillage, le réglage de la pression peut varier.

Utiliser la procédure suivante :

1. Augmenter la pression d'un cran.
2. Appuyer d'abord sur la flèche du bas lorsque vous appuyez sur les deux boutons.



Indication du verrouillage des boutons

Lorsque les boutons sont verrouillés, le voyant lumineux reste allumé. Voir fig. [Indication du verrouillage des boutons](#). Voir aussi paragraphe [5.3.10 Touches sur le produit](#).

#### Informations connexes

[5.3.10 Touches sur le produit](#)

### 4.5 Fonctions d'alarme

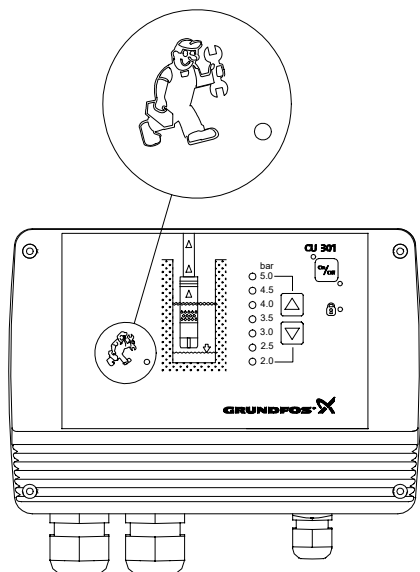
Le CU 301 reçoit en permanence des données de fonctionnement de la pompe. Les fonctions d'alarme indiquées sur l'avant du CU 301 sont décrites dans les paragraphes suivants.

TMD018329

TMD018330

#### 4.6 Alarme de maintenance

Si au moins une des valeurs des alarmes par défaut est dépassée, le voyant lumineux de l'alarme de maintenance reste allumé.



TM016327

Alarme de maintenance

#### Alarmes possibles

- Capteur défectueux
- Surcharge
- Surchauffe
- Réduction de vitesse
- Alarme de tension
- Aucun contact avec la pompe.

Pour les alarmes possibles, la manière de les identifier et les actions nécessaires, se référer au paragraphe [7.1 Dépannage avec Grundfos GO Remote](#).

#### Informations connexes

[7.1 Dépannage avec Grundfos GO Remote](#)

#### 4.7 Protection contre la marche à sec

La protection contre la marche à sec sert à protéger la pompe en cas de débit d'eau insuffisant.

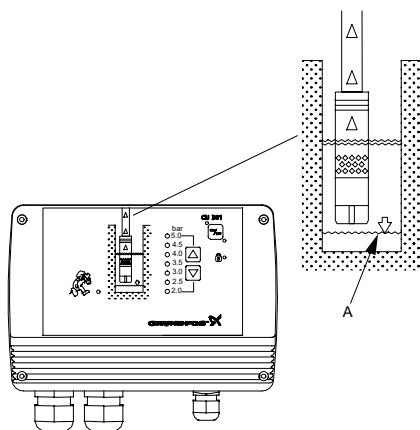
Cette protection permet d'éviter le recours à la protection contre la marche à sec conventionnelle.

Aucun câble additionnel n'est requis jusqu'au moteur.

La protection contre la marche à sec s'active après 30 secondes de fonctionnement.

Elle s'active lorsque la charge se trouve sous la limite de puissance minimale pendant plus de 5 secondes.

Le moteur s'arrête et le voyant lumineux de marche à sec reste allumé. Voir fig. [Protection contre la marche à sec](#), pos. A.



TM080333

Protection contre la marche à sec

Cause possible	Solution
Les performances de la pompe sont trop élevées par rapport au rendement du forage.	Remplacer la pompe par une pompe plus petite. Réduire les performances à l'aide de Grundfos GO Remote. Voir paragraphe <a href="#">5.3.8 Vitesse maximale</a> .
Le filtre du forage est bloqué.	La maintenance du forage est nécessaire.

#### Redémarrage

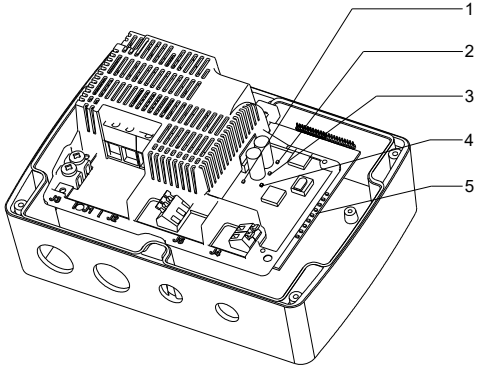
Après 5 minutes (réglage d'usine) ou la période définie dans Grundfos GO Remote (voir paragraphe [5.3.5 Redémarrage automatique](#)), le moteur redémarre automatiquement.

#### Informations connexes

[5.3.7 Arrêt marche à sec](#)

[8. Caractéristiques techniques](#)

### 4.8 Position des LED



TM070780

Pos.	Indication	Description
1	surcharge +24 V	Voyant lumineux rouge fixe lorsque l'alimentation 24 VDC interne est surchargée.
2	+24 V	Voyant lumineux vert fixe lorsque l'alimentation 24 VCC interne est normale.
3	+10 V	Voyant lumineux vert fixe lorsque l'alimentation 10 VCC interne est normale.
4	+5 V	Voyant lumineux vert fixe lorsque l'alimentation 5 VCC interne est normale.

Pos.	Indication	Description
	9 voyants lumineux :	
	• Indicateur de contrôle	• Voyant lumineux vert clignotant lorsque le contrôle de la pompe fonctionne.
	• Vitesse mini.	• Voyant lumineux jaune fixe lorsque la pompe fonctionne à vitesse minimale, soit 3 000 min <sup>-1</sup> .
	• Vitesse maxi.	• Voyant lumineux jaune fixe lorsque la pompe fonctionne à vitesse maximale, soit 10 700 min <sup>-1</sup> .
	• Capteur défectueux *	• Voyant lumineux rouge fixe lorsque le capteur est hors de portée.
5	• Surcharge *	• Voyant lumineux rouge fixe lorsque la charge du moteur est au-dessus de la limite. Voir paragraphe 8. <i>Caractéristiques techniques</i> .
	• Température excessive *	• Voyant lumineux rouge fixe lorsque la température du moteur est au-dessus de la limite. Voir paragraphe 8. <i>Caractéristiques techniques</i> .
	• Réduction de la vitesse *	• Voyant lumineux rouge fixe lorsque la vitesse de la pompe est réduite. Voir paragraphe 8. <i>Caractéristiques techniques</i> .
	• Alarme de tension *	• Voyant lumineux rouge fixe lorsque la tension d'alimentation est hors de la plage recommandée. Voir paragraphe 8. <i>Caractéristiques techniques</i> .
	• Aucun contact avec la pompe *	• Voyant lumineux rouge fixe lorsque la communication entre le CU 301 et la pompe est impossible.

\* Appuyer sur le bouton marche/arrêt pour réinitialiser l'alarme.

## Informations connexes

[6. Maintenance](#)

[7.1 Dépannage avec Grundfos GO Remote](#)

[8. Caractéristiques techniques](#)



## 4.9 Présentation du menu Grundfos GO Remote

<b>"État"</b>	<b>Paragraphe</b>
"Régulation depuis"	<a href="#">5.2.1 Régulation depuis</a>
"Valeur, capteur 1"	<a href="#">5.2.2 Valeur, capteur 1</a>
"Température du moteur"	<a href="#">5.2.3 Température moteur</a>
"Vitesse du moteur"	<a href="#">5.2.5 Vitesse du moteur</a>
"Consommation électrique"	<a href="#">5.2.6 Consommation électrique</a>
"Consommation énergétique"	<a href="#">5.2.7 Consommation énergétique</a>
"Heures de fonctionnement"	<a href="#">5.2.8 Heures de fonctionnement</a>
"Nombre de démarrages"	<a href="#">5.2.9 Nombre de démarrages</a>

<b>"Réglages"</b>	<b>Paragraphe</b>
"Mode de fonctionnement"	<a href="#">5.3.1 Mode de fonctionnement</a>
"Point de consigne"	<a href="#">5.3.2 Point de consigne</a>
"Entrée analogique 1"	<a href="#">5.3.3 Entrée analogique 1</a>
"Pression maximale"	<a href="#">5.3.4 Pression maxi</a>
"Redémarrage automatique"	<a href="#">5.3.5 Redémarrage automatique</a>
"Durée de redémarrage double"	<a href="#">5.3.6 Durée de redémarrage double</a>
"Arrêt marche à sec"	<a href="#">5.3.7 Arrêt marche à sec</a>
"Vitesse maximale"	<a href="#">5.3.8 Vitesse maximale</a>
"Vitesse de démarrage"	<a href="#">5.3.9 Vitesse de démarrage</a>
"Touches sur le produit"	<a href="#">5.3.10 Touches sur le produit</a>
"Numéro"	<a href="#">5.3.11 Numéro</a>
"Voyants lumineux"	<a href="#">5.3.12 Voyants lumineux</a>
"Mémoriser les réglages"	<a href="#">5.3.13 Mémoriser les réglages</a>
"Rappeler les réglages"	<a href="#">5.3.14 Restaurer les réglages</a>
"Annuler"	<a href="#">5.3.15 Annuler</a>
"Configuration d'unité"	<a href="#">5.2.9 Nombre de démarrages</a>

<b>"Alarmes et avertissements"</b>	<b>Paragraphe</b>
"Journal des alarmes"	<a href="#">4.5 Fonctions d'alarme</a>
"Journal des avertissements"	

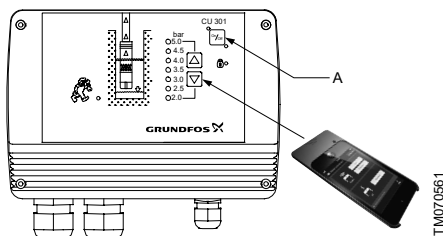
### Informations connexes

[5.1 CU 301 avec Grundfos GO Remote](#)

## 5. Réglage du produit

### 5.1 CU 301 avec Grundfos GO Remote

Grundfos GO Remote est utilisé pour les communications infrarouge sans fil avec le CU 301. Lors des communication, il doit y avoir contact visuel entre le CU 301 et Grundfos GO Remote.



Le CU 301 communique avec Grundfos GO Remote.

L'application Grundfos GO Remote permet de modifier les réglages et les indications d'état du CU 301.

Lorsque la communication entre Grundfos GO Remote et le CU 301 a été établie, le voyant lumineux rouge (A) du bouton marche/arrêt clignote.

Pour plus d'informations sur l'utilisation de Grundfos GO Remote, se référer aux instructions de l'application Grundfos GO Remote.

La structure des menus de Grundfos GO Remote et de CU 301 est divisée en trois menus principaux, chacun contenant plusieurs affichages.

- État
- Réglages
- Alarmes et avertissements

Voir paragr. 4.9 [Présentation du menu Grundfos GO Remote](#).

#### Informations connexes

[4.9 Présentation du menu Grundfos GO Remote](#)

### 5.2 État

Le menu "État" de Grundfos GO Remote pour le CU 301 permet de consulter les paramètres de fonctionnement.

#### 5.2.1 Régulation depuis

Cet affichage montre la source de régulation :

- CU 301
- externe.

#### 5.2.2 Valeur, capteur 1

Cet écran affiche la valeur mesurée par le capteur 1.

#### Informations connexes

[5.3.3 Entrée analogique 1](#)

#### 5.2.3 Température moteur

La température réelle des composants électroniques du moteur, exprimée en °C ou °F.

#### 5.2.4 Motor temperature

The actual temperature of the motor electronics stated in °C or °F.

#### 5.2.5 Vitesse du moteur

Vitesse réelle du moteur, en  $\text{min}^{-1}$  (tr/min).

#### 5.2.6 Consommation électrique

Cet affichage montre la consommation électrique réelle.

#### Informations connexes

[5.3.7 Arrêt marche à sec](#)

[5.3.9 Vitesse de démarrage](#)

#### 5.2.7 Consommation énergétique

Sur cet affichage, vous pouvez lire la consommation énergétique totale.

#### 5.2.8 Heures de fonctionnement

Le nombre d'heures de fonctionnement est cumulé depuis la mise en service de la pompe et ne peut être réinitialisé.

La valeur est enregistrée dans les composants électroniques du moteur et est conservée, même en cas de remplacement du CU 301.

#### 5.2.9 Nombre de démarrages

Le nombre de démarrages est cumulé depuis la mise en service de la pompe et ne peut être réinitialisé.

La valeur est enregistrée dans les composants électroniques du moteur et est conservée, même en cas de remplacement du CU 301.

## 5.3 Réglages

Le menu "Paramètres" de Grundfos GO Remote pour le CU 301 permet de modifier les paramètres de fonctionnement.

### 5.3.1 Mode de fonctionnement

Sélectionner l'un des modes de fonctionnement suivants :

- **Max.**  
Le fonctionnement de la pompe est réglé à la vitesse maximale, indépendamment du point de consigne. La vitesse maximale de la pompe peut être paramétrée dans l'affichage *Vitesse maximale*. La valeur par défaut est de 10.700 min<sup>-1</sup>).
  - **Normal**  
Mode de fonctionnement normal : le fonctionnement de la pompe est basé sur le point de consigne déterminé dans l'affichage *Point de consigne*.
- Exemples:** Vitesse définie dans l'affichage *Point de consigne* ou par le contrôle des capteurs.
- **Min.**  
Le fonctionnement de la pompe est réglé à la vitesse minimale, soit 3000 min<sup>-1</sup>, indépendamment du point de consigne.
  - **Arrêt**  
La pompe s'arrête.

#### Informations connexes

[5.3.8 Vitesse maximale](#)

[5.3.2 Point de consigne](#)

[5.3.2 Point de consigne](#)

### 5.3.2 Point de consigne

Dans cet affichage, vous pouvez déterminer la pression souhaitée.

Unité de plage de réglage :

- 2 à 5 bars, intervalles de 0,5 bar
- 40 à 100 psi, intervalles de 10 psi.

#### Relation avec les autres affichages

Les paramètres de l'affichage *Point de consigne* sont écrasés par les paramètres "Max." et "Min." de l'affichage *Mode de fonctionnement*.

#### Réglage par défaut

3 bar (50 psi).

#### Informations connexes

[5.3.1 Mode de fonctionnement](#)

[5.3.1 Mode de fonctionnement](#)

### 5.3.3 Entrée analogique 1

Effectuer les réglages suivants selon le type de capteur :

- Signal de sortie du capteur : "-" (inactif), 0-20 mA, 4-20 mA, 0-10 V, 2-10 V.

- Unité de plage de réglage : bar ou psi.

Deux façades sont disponibles pour le CU 301, une en bar et une en psi. La façade en bar peut être remplacée par celle en psi.



Le capteur de pression doit être remplacé par un capteur qui mesure la pression dans l'unité souhaitée.

Lorsque la façade est remplacée, l'affichage change automatiquement de bar à psi et inversement.

#### Relation avec les autres affichages :

L'unité de mesure visible sur l'affichage *Valeur, capteur 1* sera identique à celle de la façade.

#### Réglage par défaut

Signal de sortie du capteur : 4-20 mA

Unité de plage de réglage : bar ou psi.  
Automatiquement déterminé par la façade.

#### Informations connexes

[5.2.2 Valeur, capteur 1](#)

[8. Caractéristiques techniques](#)

### 5.3.4 Pression maxi

La pression maximale déterminée correspond à la plus grande valeur possible du point de consigne pour la pression.

### 5.3.5 Redémarrage automatique

Activer ou désactiver l'heure de redémarrage automatique.

Les paramètres suivants sont disponibles :

- Activé
- Désactivé
- 0 à 254 minutes.

#### Réglage par défaut

5 minutes.

### 5.3.6 Durée de redémarrage double

Les paramètres suivants sont disponibles :

- "Activé"
- "Désactivé".

Lorsque vous sélectionnez "Activé", la durée de redémarrage est automatiquement doublée tous les 10 arrêts du moteur dus à une alarme. La durée est doublée, jusqu'à un temps d'arrêt de 4 heures. Après 10 heures de fonctionnement sans alarme, la durée de redémarrage est automatiquement réglée sur l'une des valeurs suivantes :

- La durée déterminée dans le champ "Durée".
- 5 minutes (réglage par défaut) si aucune valeur n'a été entrée dans le champ "Durée".

### 5.3.7 Arrêt marche à sec

La valeur d'arrêt de la marche à sec (limite de puissance en marche à sec) est réglée en défaut. Elle dépend du moteur.

Le réglage par défaut dépend de la puissance nominale du moteur. Voir paragraphe [Caractéristiques techniques](#).

Lorsque la protection contre la marche à sec est activée, la valeur minimale de la puissance absorbée par la pompe doit être définie dans cet affichage.

Pour plus d'informations, voir paragraphe [Protection contre la marche à sec](#).

Plage de réglage : 0-2500 W.

#### Relation avec les autres affichages

[Protection contre la marche à sec](#) doit être réglé sur "Activé".

Consulter la puissance réelle absorbée par la pompe dans l'affichage [Consommation électrique](#).

#### Réglage par défaut

Taille moteur	Arrêt marche à sec
0,7 kW	300 W
0,7 kW (SQ/SQE 2-55)	550 W
1,15 kW	680 W
1,55 kW	800 W
1,85 kW	900 W

#### Informations connexes

[4.7 Protection contre la marche à sec](#)

[5.2.6 Consommation électrique](#)

[5.3.9 Vitesse de démarrage](#)

[7.1 Dépannage avec Grundfos GO Remote](#)

[8. Caractéristiques techniques](#)

### 5.3.8 Vitesse maximale

Régler sur la vitesse maximale.

Plage de réglage : 3 000 - 10 700 min<sup>-1</sup>.

#### Réglage par défaut

10 700 min<sup>-1</sup>.

#### Informations connexes

[5.3.1 Mode de fonctionnement](#)

### 5.3.9 Vitesse de démarrage

Dans le cas d'une pompe trop grande ou de niveaux d'eau variables, cette fonction peut provoquer un excès de pression au démarrage, en fonction de la pression de refoulement souhaitée. La vitesse de démarrage peut alors être diminuée pour compenser.

Plage de réglage : 3000 - 10.700 min<sup>-1</sup> (intervalles de 100 min<sup>-1</sup>).

#### Arrêt marche à sec à vitesse maximale réduite de la pompe :

Si la vitesse maximale de la pompe a été réduite, la valeur d'arrêt marche à sec dans l'affichage [Arrêt marche à sec](#) doit être modifiée.

#### Calculer la limite de puissance minimale :



Si la pompe est usée, un nouveau calcul de la limite de puissance minimale peut être nécessaire.



La valeur calculée est utilisée dans l'affichage [Arrêt marche à sec](#).

Étape	Action
1	Démarrer la pompe contre une vanne de refoulement fermée.
2	Lire la puissance absorbée (P1) dans l'affichage <a href="#">Consommation électrique</a> .
3	Calculer la limite minimale de puissance comme suit : Limite de puissance [W] = P1 x 0,9.

#### Réglage par défaut

8200 min<sup>-1</sup>

#### Informations connexes

[5.2.6 Consommation électrique](#)

[5.3.7 Arrêt marche à sec](#)

### 5.3.10 Touches sur le produit

Désactiver le bouton marche/arrêt du CU 301 pour une question de sécurité.

Vous pouvez régler le bouton marche/arrêt comme suit :

- "Actif"
- "Inactif".

#### Réglage par défaut

"Actif".

#### Informations connexes

[4.4 Verrouillage des boutons](#)

### 5.3.11 Numéro

Attribuer un chiffre au CU 301 et à la pompe connectée. Le CU 301 et la pompe doivent avoir le même chiffre.



Lorsque vous choisissez un nombre, l'alimentation électrique des autres CU 301 éventuels doit être déconnectée.

Plage de réglage : "Inactif", 1, 2,... 199.

Une fois le chiffre paramétré, le réglage par défaut (inactif) n'est plus disponible.

Si le CU 301 et la pompe n'ont pas le même chiffre, l'alarme "Aucun contact" s'activera.

#### Réglage par défaut

"Inactif".

#### Informations connexes

[7.1 Dépannage avec Grundfos GO Remote](#)

### 5.3.12 Voyants lumineux

Les paramètres des voyants lumineux peuvent être modifiés sur Grundfos GO Remote.

Réglages disponibles :

- "Voyants de fonctionnement" lors du fonctionnement de la pompe (réglage par défaut).
- "Voyants fixes" lors du fonctionnement de la pompe.

#### Informations connexes

[4.2 Indication du fonctionnement de la pompe](#)

### 5.3.13 Mémoriser les réglages

Stocker les paramètres réels pour une utilisation ultérieure.

### 5.3.14 Restaurer les réglages

Restaurer les derniers paramètres stockés qui seront ensuite utilisés par la pompe.

### 5.3.15 Annuler

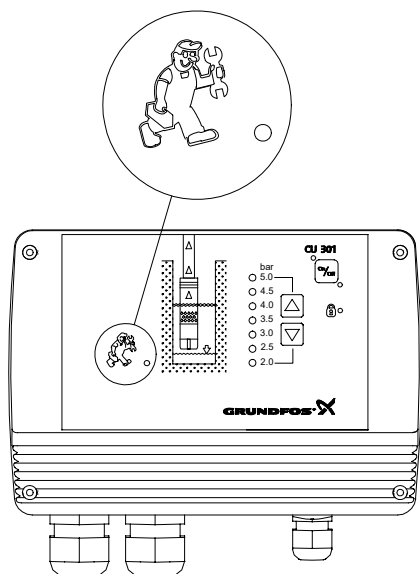
Annuler les paramètres précédents.

### 5.3.16 Configuration d'unité

Choisir les unités SI ou US. La configuration peut être générale et concerner tous les paramètres, ou personnalisée pour chacun des paramètres.

## 6. Maintenance

Le CU 301 reçoit en permanence des données de fonctionnement de la pompe. En cas d'alarme, le voyant lumineux d'entretien reste allumé.



TM018327

### Voyant d'alarme de service

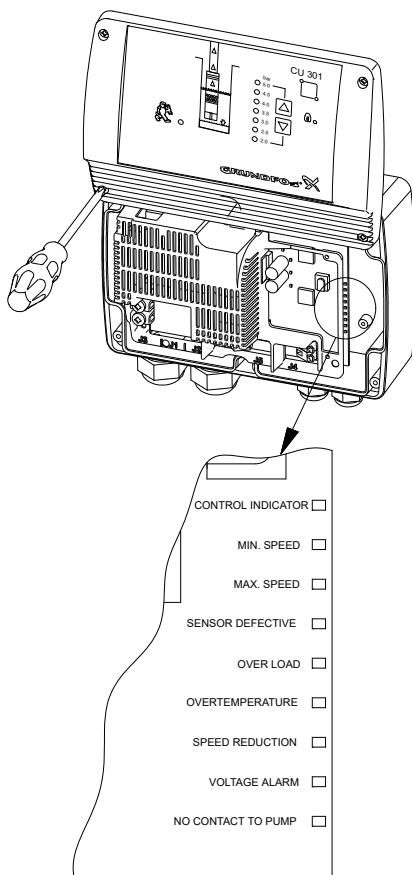
Le voyant lumineux d'entretien reste allumé si l'une des alarmes suivantes s'active :

- Capteur défectueux
- Surcharge
- Surchauffe
- Réduction de vitesse
- Alarme de tension
- Aucun contact avec la pompe

Pour identifier la cause de l'alarme d'entretien, vous devez retirer la façade du CU 301. Installer la façade comme illustré dans la fig. [LED et textes d'alarme sur le panneau d'alimentation](#) pour éviter de débrancher le câble multiconducteur.

Des LED sont installées sur le panneau d'alimentation à l'intérieur du CU 301. Voir paragraphe [4.8 Position des LED](#).

La figure [LED et textes d'alarme sur le panneau d'alimentation](#) montre les LED et le nom des alarmes sur le panneau d'alimentation.



TM018435

### LED et textes d'alarme sur le panneau d'alimentation

#### Informations connexes

##### [4.8 Position des LED](#)

## 7. Dépannage

### **DANGER**

#### **Choc électrique**

Mort ou blessures graves



- Avant toute intervention, s'assurer que l'alimentation électrique a été coupée et qu'elle ne risque pas d'être réenclenchée accidentellement.
- Le dépannage doit être effectué par un personnel qualifié.

### 7.1 Dépannage avec Grundfos GO Remote

La manière la plus simple de détecter les pannes est d'utiliser Grundfos GO Remote. Les codes d'erreur peuvent être extraits de l'unité et affichées sur l'appareil.

Défaut	Cause possible	Solution
1 Pas de lumière sur la façade.	a) Le raccord multicolore est mal placé ou défectueux.	<ul style="list-style-type: none"> <li>Est-ce que le voyant LED de contrôle clignote ? Sinon, le CU 301 est défectueux.</li> <li>Vérifier que le branchement du câble multicolore est correcte.</li> </ul> <p>Si c'est le cas, le CU 301 est défectueux. Contacter Grundfos.</p>
2 La pompe ne démarre pas. Le voyant lumineux vert sur le bouton marche/arrêt est allumé. Aucune alarme détectée.	a) Le CU 301 ou la pompe est défectueux/défectueuse.	<ul style="list-style-type: none"> <li>Vérifier que l'indicateur LED de contrôle clignote. Sinon, le CU 301 est défectueux.</li> <li>Vérifier que la pression du système est de 0,5 bar en dessous de la pression pré réglée.</li> </ul> <p>Dans ce cas, la pompe est censée démarrer. Dans le doute, ouvrir un robinet.</p> <p>Si la pompe démarre, le système ne devrait pas avoir de problème.</p> <p>La pression du système peut être consultée sur le manomètre.</p> <ul style="list-style-type: none"> <li>Voir point 13. pour vérifier le capteur de pression.</li> </ul> <p>Si la pompe n'a pas encore démarré, procéder comme suit :</p> <ul style="list-style-type: none"> <li>Appuyer sur le bouton marche/arrêt pendant 5 secondes.</li> </ul> <p>Si la pompe démarre, le CU 301 ou le capteur peut être défectueux.</p> <p>Noter que la pression n'est pas contrôlée et peut atteindre un niveau élevé.</p>
3 La pression n'est pas constante.	a) La pompe n'est pas du bon type correct, ou la pression de précharge du réservoir à membrane n'est pas correcte.	<ul style="list-style-type: none"> <li>Vérifier que la LED pour vitesse max. ou vitesse min. est allumée.</li> </ul> <p>Si c'est le cas, la pompe a atteint sa limite. Voir paragraphe <a href="#">3.2 Dimensions de l'installation</a>. Remplacer la pompe, si nécessaire.</p> <ul style="list-style-type: none"> <li>Vérifier la pression de précharge du réservoir à membrane. Ne pas oublier d'arrêter et de drainer l'installation avant de vérifier la pression.</li> <li>Regarder si le capteur est positionné loin du robinet.</li> </ul> <p>Si c'est le cas, les variations de pression peuvent être causées par des pertes de charge. Voir paragraphe <a href="#">2.3 Positionnement du capteur de pression</a>.</p>
4 La pompe fonctionne en permanence.	a) La pompe n'atteint pas la pression pré réglée. Le CU 301 ou le capteur est défectueux.	<ul style="list-style-type: none"> <li>Essayer de diminuer la pression pré réglée. Voir paragraphe <a href="#">3.2 Dimensions de l'installation</a>.</li> </ul> <p>Noter que la pompe peut fonctionner pendant environ 15 à 20 secondes avant de s'arrêter.</p> <ul style="list-style-type: none"> <li>Vérifier que l'indicateur LED de contrôle clignote.</li> <li>Vérifier que le raccord entre le capteur et la tuyauterie n'est pas bloqué.</li> </ul> <p>Si c'est le cas, retirer le blocage.</p> <ul style="list-style-type: none"> <li>Essayer d'arrêter la pompe à l'aide du bouton marche/arrêt.</li> </ul> <p>Si c'est impossible, le CU 301 est défectueux. Remplacer le CU 301.</p> <ul style="list-style-type: none"> <li>Voir point 13. pour vérifier le capteur de pression.</li> </ul>



Défaut	Cause possible	Solution	
5	Le CU 301 indique "Aucun contact avec la pompe".	a) Le moteur n'est pas un MSE 3.	Si la pompe a fonctionné correctement avec un CU 301 ou un CU 300 par le passé, le moteur est probablement un MSE 3. Il n'existe aucun moyen technique de déterminer le type de moteur. Le seul moyen consiste à lire la plaque signalétique sur le moteur.
		b) Le câble de la pompe fait plus de 200 mètres de long.	Réduire la longueur du câble de la pompe.
	c) Rupture du câble.	Couper l'alimentation électrique du CU 301. Le remettre sous tension. La pompe est à présent directement connectée à l'alimentation électrique, sans interférence du CU 301. Le moteur s'allume-t-il ? <ul style="list-style-type: none"> <li>• <b>Oui</b> : le câble fonctionne correctement. Aller au point d).</li> <li>• <b>Non</b> : couper à nouveau l'alimentation électrique. Retirer le câble et la prise du moteur, et mesurer le câble et la prise au mégohmmètre.</li> </ul> Le câble est-il fonctionnel ? <ul style="list-style-type: none"> <li>• <b>Oui</b> : le moteur est défectueux. Remplacer le moteur.</li> <li>• <b>Non</b> : remplacer le câble.</li> </ul>	
	d) Communication croisée avec un autre CU 301 proche.	Si un autre CU 301 est installé : <ul style="list-style-type: none"> <li>• S'assurer qu'un chiffre unique est assigné à chaque unité. Voir paragraphe <a href="#">5.3.11 Numéro</a>.</li> <li>• Si les câbles de la pompe sont installés en parallèle, les séparer physiquement de 30 à 36 centimètres ou recâbler avec un câble blindé.</li> </ul>	
	e) Le module de communication du CU 301 est défectueux.	Les trois LED aux positions 2, 3 et 4 du panneau d'alimentation du CU 301 sont-elles allumées, et la LED de contrôle cli-gnote-t-elle ? Voir paragraphe <a href="#">4.8 Position des LED</a> . <ul style="list-style-type: none"> <li>• <b>Oui</b> :</li> </ul> L'alimentation électrique est fonctionnelle. Attribuer un nouveau chiffre au système. Si cela ne fonctionne pas, le CU 301 ou le module de communication du moteur est défectueux. Remplacer le CU 301 et attribuer un nouveau chiffre au système, entre 1 et 64, afin d'établir une correspondance entre la pompe SQE et le CU 301. Noter que deux systèmes utilisant la même alimentation électrique ne peuvent pas avoir le même chiffre ! La LED "Aucun contact avec la pompe" du nouveau CU 301 est-elle également allumée ? <ul style="list-style-type: none"> <li>• <b>Oui</b> : le CU 301 fonctionne correctement.</li> <li>• <b>Non</b> : le CU 301 retiré était défectueux.</li> </ul>	
6	Même après le remplacement, le CU 301 indique "Aucun contact avec la pompe".	f) Le module de communication du moteur MSE 3 est défectueux.	En conséquence des points ci-dessus, remplacer le moteur MSE 3.
		a) Les chiffres attribués à la pompe SQE et au CU 301 sont différents.	Si un chiffre a été attribué à un système SQE/CU 301, ce chiffre est stocké dans les deux appareils. Un nouveau CU 301 n'aura probablement pas un chiffre correspondant à celui stocké dans la pompe SQE. C'est pourquoi "Aucun contact avec la pompe" apparaît, même s'il n'y a aucun défaut. Attribuer un chiffre entre 1 et 64 au nouveau système, afin d'établir une correspondance entre la pompe SQE et le CU 301. Noter que deux systèmes utilisant la même alimentation électrique ne peuvent pas avoir le même chiffre !

Défaut	Cause possible	Solution	
7	Le CU 301 indique "Surtension" ou "Sous-tension".	<p>a) La tension d'alimentation est instable ou n'entre pas dans la plage de tension spécifiée pour le type de moteur installé.</p>	<p>Vérifier (si possible pendant une certaine période) que la tension d'alimentation correspond aux valeurs ci-dessous.</p> <p>Plage de tension pour les moteurs 200-240 V :</p> <ul style="list-style-type: none"> <li>• Un moteur de type 0,70 kW équivaut à 198-280 V</li> <li>• Un moteur de type 1,15 kW équivaut à 198-280 V</li> <li>• Un moteur de type 1,55 kW équivaut à 207-280 V</li> <li>• Un moteur de type 1,85 kW équivaut à 207-280 V.</li> </ul> <p>Plage de tension pour les moteurs 100-115 V :</p> <ul style="list-style-type: none"> <li>• Un moteur de type 0,70 kW équivaut à 90-150 V.</li> </ul> <p>Comme la tension est détectée au niveau du moteur, permettre les chutes de tension dans le câble de la pompe.</p>
8	Le CU 301 indique "Marche à sec".	<p>Si la puissance consommée est inférieure au paramètre d'arrêt marche à sec pendant plus de 5 secondes, la pompe s'arrête.</p> <p>a) Les performances de la pompe sont trop élevées pour le forage.</p> <p>b) La crépine de forage est bloquée.</p> <p>c) Le paramètre d'arrêt marche à sec est incorrect.</p>	<p>Remplacer la pompe par une plus petite ou réduire ses performances.</p> <p>Vérifier la capacité de forage et rétablir l'alimentation en eau dans le forage.</p> <p>Vérifier et corriger le paramètre. Voir paragraphe <a href="#">5.3.7 Arrêt marche à sec</a>.</p>
9	Le CU 301 indique "Réduction de la vitesse" et "Sous-tension".	<p>La réduction de la vitesse est activée afin de maintenir une performance réduite. Lorsque la tension d'alimentation diminue tellement qu'elle ne permet plus de fournir le courant nécessaire à 3 000 min<sup>-1</sup>, la pompe s'arrête.</p> <p>a) La tension d'alimentation est instable ou inférieure à la plage de tension spécifiée pour le type de moteur installé.</p> <p>b) Le type de pompe n'est pas correct.</p> <p>c) La chute de tension dans le câble de la pompe est trop importante.</p>	<p>Rétablir une tension d'alimentation correcte.</p> <p>Installer une pompe du type adapté.</p> <p>Remplacer le câble de la pompe.</p>
10	Le CU 301 indique "Réduction de la vitesse" et "Surcharge".	<p>La réduction de la vitesse est activée afin de maintenir une performance réduite.</p> <p>a) La pompe est usée ou bloquée.</p> <p>b) La pompe est trop grande pour le moteur installé.</p>	<p>La pompe doit être révisée.</p> <p>Remplacer la pompe ou le moteur.</p>
11	Le CU 301 indique "Température excessive".	<p>Le capteur de température du moteur enregistre une température supérieure aux valeurs établies dans les paramètres par défaut. Voir paragraphe <a href="#">8. Caractéristiques techniques</a>.</p> <p>a) Refroidissement du moteur insuffisant.</p>	<p>Restaurer un refroidissement du moteur correct. Le flux minimal dans le moteur doit être de minimum 0,15 m/s.</p>

Défaut	Cause possible	Solution
12 Le CU 301 indique "Surcharge".	a) La pompe est usée ou bloquée.	La pompe doit être révisée.
	b) La pompe est trop grande pour le moteur installé.	Remplacer la pompe ou le moteur.
13 Le CU 301 indique "Capteur défectueux".	a) Le capteur de pression est défectueux.	<p>Vérifier que le capteur est installé correctement.</p> <p>Vérifier que le paramétrage Grundfos GO Remote du capteur est correct.</p> <p>Si le capteur est de type 4-20 mA, mesurer l'intensité du signal.</p> <p>Si l'intensité est supérieure à 2 mA, le capteur et le câblage sont fonctionnels.</p> <p>Si l'intensité est inférieure à 2 mA, le capteur ou le câblage est défectueux.</p> <p>Remplacer les pièces défectueuses.</p> <p>La LED "Capteur défectueux" et la LED en position 1 sont-elles allumées ? Voir paragraphe 4.8 <i>Position des LED</i>.</p> <ul style="list-style-type: none"> <li>• <b>Oui</b> : la charge totale de 24 VCC de la borne 5 est supérieure à 100 mA. Déconnecter le capteur pour déterminer s'il est défectueux. Remplacer le capteur défectueux.</li> <li>• <b>Non</b> : la charge est normale, mais la connexion entre le capteur et le CU 301 peut être défectueuse.</li> </ul>
14 La pompe fonctionne par intermittence.	a) Aucune communication.	<p>Vérifier que la LED "Aucun contact avec la pompe" est allumée.</p> <p>Si c'est le cas, le CU 301 démarre et arrête la pompe en fonction du signal du capteur. Le CU 301 doit être réinitialisé tous les 250 arrêts.</p> <p>Se référer au défaut numéro 5 pour résoudre le problème.</p>

## Informations connexes

[2.3 Positionnement du capteur de pression](#)

[3.2 Dimensions de l'installation](#)

[4.6 Alarme de maintenance](#)

[4.8 Position des LED](#)

[5.3.7 Arrêt marche à sec](#)

[5.3.11 Numéro](#)

[8. Caractéristiques techniques](#)

## 8. Caractéristiques techniques

### Tension d'alimentation

1 x 100-240 V - 10 % / + 6 %, 50/60 Hz, PE.

### Consommation électrique

5 W.

### Fusible de protection

Maximum 16 A.

### Consommation de courant

130 mA max.

### Signalisation de la borne d'alimentation

Modulation par déplacement de fréquence (MDF).  
(132,45 kHz,  $\pm 0,6$  kHz).

### Indice de protection

IP55.

Type 3R

### Longueur maxi entre le CU 301 et la pompe

300 mètres.

### Température ambiante

- Pendant le fonctionnement : -30 à +45 °C. Le produit ne doit pas être exposé au rayonnement direct du soleil.
- Pendant le stockage : -30 à +60 °C.

### Poids

1,35 kg.

### Humidité relative

Maximum 95 %.

### Matériaux

Le boîtier du CU 301 est conçu en PPO noir.

### CEM (compatibilité électromagnétique)

Conformément à la norme EN 60730-1.

### Degré de pollution

Catégorie 2

### Isolation de base

Catégorie 3

### Action de type du commande

Type 1

## Fonction de régulation du logiciel

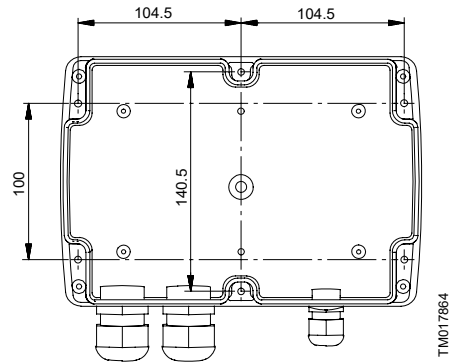
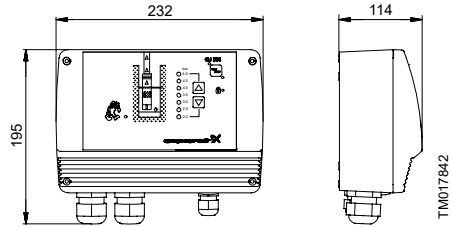
Classe A

## Relais de fonctionnement

Intensité maximale : 0,5 A.

Tension maximale : 230 VCA.

## Schémas cotés



## Entrée capteur

Signal de tension :

0-10 VCC / 2-10 VCC,  $R_i = 11 \text{ k}\Omega$ .

Tolérance :  $\pm 3 \%$  au signal de tension max.

Un câble blindé est recommandé.

Longueur maximale du câble : 500 m.

Signal d'intensité :

CC 0-20 mA / 4-20 mA,  $R_i = 500 \Omega$ .

Tolérance :  $\pm 3 \%$  au signal d'intensité max.

Un câble blindé est recommandé.

Longueur maximale du câble : 500 m.

Capteur externe

## Réglages par défaut

Alarme	Moteurs 200-240 V				Moteurs 100-115 V
	0,7 kW	1,15 kW	1,55 kW	1,85 kW	0,7 kW
Surtension <sup>1)</sup>	280 VCA	280 VCA	280 VCA	280 VCA	150 VCA
Sous-tension	Réduction de vitesse : 198 V	Réduction de vitesse : 198 V	Réduction de vitesse : 207 V	Réduction de vitesse : 207 V	Réduction de vitesse : 90 V
	Limite d'arrêt : 150 V	Limite d'arrêt : 150 V	Limite d'arrêt : 150 V	Limite d'arrêt : 150 V	Limite d'arrêt : 75 V
Arrêt marche à sec	300 W 550 W <sup>2)</sup>	680 W	800 W	900 W	300 W
Protection contre la marche à sec	"Actif" (paramètre Grundfos GO Remote). Voir paragraphe <a href="#">4.7 Protection contre la marche à sec</a> .				
Réduction de vitesse	Lié à la sous-tension et à la surcharge				
Température des composants électroniques	Limite d'arrêt : 60 °C	Limite d'arrêt : 65 °C	Limite d'arrêt : 65 °C	Limite d'arrêt : 70 °C	Limite d'arrêt : 70 °C
	Redémarrage : 50 °C	Redémarrage : 55 °C	Redémarrage : 55 °C	Redémarrage : 60 °C	Redémarrage : 60 °C
Surcharge	5,2 A	8,4 A	11 A	12 A	12 A
Alarme de capteur	"Aucun capteur utilisé" (paramètre Grundfos GO Remote). Voir paragraphe <a href="#">5.3.3 Entrée analogique 1</a> .				

1) Moteurs 200-240 V : Le fonctionnement est garanti jusqu'à 280 V CA.

Moteurs 100-115 V : Le fonctionnement est garanti jusqu'à 150 V CA.

Afin d'éviter des arrêts indésirables, la limite d'arrêt pour surtension est comme indiquée.

2) S'applique uniquement aux SQ/SQE 2-55.

## Exactitude des données Grundfos GO Remote

Écran	Précision
Pression réelle	± 0,1 bar
Vitesse	± 1 %
Température	± 5 %
Puissance et consommation électrique	± 5 %

## Capteur

La précision du signal dépend du type de capteur.

Voir les données techniques du capteur en question.

## Informations connexes

[2.2 Branchement électrique](#)

[4.7 Protection contre la marche à sec](#)

[4.8 Position des LED](#)

[5.3.7 Arrêt marche à sec](#)

[5.3.3 Entrée analogique 1](#)

[7.1 Dépannage avec Grundfos GO Remote](#)

## 9. Mise au rebut

Ce produit ou les pièces le composant doivent être mis au rebut dans le respect de l'environnement.

1. Utiliser le service de collecte des déchets public ou privé.
2. Si ce n'est pas possible, contacter Grundfos ou le réparateur agréé le plus proche.



Le pictogramme représentant une poubelle à roulettes barrée apposé sur le produit signifie que celui-ci ne doit pas être jeté avec les ordures ménagères. Lorsqu'un produit marqué de ce pictogramme atteint sa fin de vie, l'apporter à un point de collecte désigné par les autorités locales compétentes. Le tri sélectif et le recyclage de tels produits participent à la protection de l'environnement et à la préservation de la santé des personnes.

Voir également les informations relatives à la fin de vie du produit sur [www.grundfos.com/product-recycling](http://www.grundfos.com/product-recycling)

## 10. Commentaires sur la qualité des documents

Pour donner votre avis sur ce document, scannez le code QR à l'aide de l'appareil photo de votre téléphone ou d'une application de code QR.



FEEDBACK99406808

[Cliquez ici pour soumettre vos commentaires](#)

**Argentina**

Bombas GRUNDFOS de Argentina S.A.  
Ruta Panamericana km. 37.500/Industin  
1619 - Garin Pcia. de B.A.  
Tel.: +54-3327 414 444  
Fax: +54-3327 45 3190

**Australia**

GRUNDFOS Pumps Pty. Ltd.  
P.O. Box 2040  
Regency Park  
South Australia 5942  
Tel.: +61-8-8461-4611  
Fax: +61-8-8340-0155

**Austria**

GRUNDFOS Pumpen Vertrieb  
Ges.m.b.H.  
Grundfosstraße 2  
A-5082 Grödig/Salzburg  
Tel.: +43-6246-883-0  
Fax: +43-6246-883-30

**Belgium**

N.V. GRUNDFOS Bellux S.A.  
Boomssesteenweg 81-83  
B-2630 Aartselaar  
Tel.: +32-3-870 7300  
Fax: +32-3-870 7301

**Belarus**

Представительство ГРУНДФОС в  
Минске  
220125, Минск  
ул. Шафарнянская, 11, оф. 56, БЦ  
«Порт»  
Тел.: +375 17 397 397 3  
+375 17 397 397 4  
Факс: +375 17 397 397 1  
E-mail: minsk@grundfos.com

**Bosnia and Herzegovina**

GRUNDFOS Sarajevo  
Zmaja od Bosne 7-7A  
BiH-71000 Sarajevo  
Tel.: +387 33 592 480  
Fax: +387 33 590 465  
www.ba.grundfos.com  
E-mail: grundfos@bih.net.ba

**Brazil**

BOMBAS GRUNDFOS DO BRASIL  
Av. Humberto de Alencar Castelo  
Branco, 630  
CEP 09850 - 300  
São Bernardo do Campo - SP  
Tel.: +55-11 4393 5533  
Fax: +55-11 4343 5015

**Bulgaria**

Grundfos Bulgaria EOOD  
Slatina District  
Iztochna Tangenta street no. 100  
BG - 1592 Sofia  
Tel.: +359 2 49 22 200  
Fax: +359 2 49 22 201  
E-mail: bulgaria@grundfos.bg

**Canada**

GRUNDFOS Canada inc.  
2941 Brighton Road  
Oakville, Ontario  
L6H 6C9  
Tel.: +1-905 829 9533  
Fax: +1-905 829 9512

**China**

GRUNDFOS Pumps (Shanghai) Co. Ltd.  
10F The Hub, No. 33 Suhong Road  
Minhang District  
Shanghai 201106 PRC  
Tel.: +86 21 612 252 22  
Fax: +86 21 612 253 33

**Colombia**

GRUNDFOS Colombia S.A.S.  
Km 1.5 via Siberia-Cota Conj. Potrero  
Chico,  
Parque Empresarial Arcos de Cota Bod.  
1A.  
Cota, Cundinamarca  
Tel.: +57(1)-2913444  
Fax: +57(1)-8764586

**Croatia**

GRUNDFOS CROATIA d.o.o.  
Buzinski prilaz 38, Buzin  
HR-10010 Zagreb  
Tel.: +385 1 6595 400  
Fax: +385 1 6595 499  
www.hr.grundfos.com

**Czech Republic**

GRUNDFOS Sales Czechia and Slovakia  
s.r.o.  
Čajkovského 21  
779 00 Olomouc  
Tel.: +420-585-716 111

**Denmark**

GRUNDFOS DK A/S  
Martin Bachs Vej 3  
DK-8850 Bjerringbro  
Tel.: +45-87 50 50 50  
Fax: +45-87 50 51 51  
E-mail: info\_GDK@grundfos.com  
www.grundfos.com/DK

**Estonia**

GRUNDFOS Pumps Eesti OÜ  
Peterburi tee 92G  
11415 Tallinn  
Tel.: + 372 606 1690  
Fax: + 372 606 1691

**Finland**

OY GRUNDFOS Pumput AB  
Trukkikuja 1  
FI-01360 Vantaa  
Tel.: +358-(0) 207 889 500

**France**

Pompes GRUNDFOS Distribution S.A.  
Parc d'Activités de Chesnes  
57, rue de Malacombe  
F-38290 St. Quentin Fallavier (Lyon)  
Tel.: +33-4 74 82 15 15  
Fax: +33-4 74 94 10 51

**Germany**

GRUNDFOS GMBH  
Schlüterstr. 33  
40699 Erkrath  
Tel.: +49-(0) 211 929 69-0  
Fax: +49-(0) 211 929 69-3799  
E-mail: infoservice@grundfos.de  
Service in Deutschland:  
kundendienst@grundfos.de

**Greece**

GRUNDFOS Hellas A.E.B.E.  
20th km. Athinon-Markopoulou Av.  
P.O. Box 71  
GR-19002 Peania  
Tel.: +0030-210-66 83 400  
Fax: +0030-210-66 46 273

**Hong Kong**

GRUNDFOS Pumps (Hong Kong) Ltd.  
Unit 1, Ground floor, Siu Wai industrial  
Centre  
29-33 Wing Hong Street & 68 King Lam  
Street, Cheung Sha Wan  
Kowloon  
Tel.: +852-27861706 / 27861741  
Fax: +852-27858664

**Hungary**

GRUNDFOS Hungária Kft.  
Tópark u. 8  
H-2045 Törökbalint  
Tel.: +36-23 511 110  
Fax: +36-23 511 111

**India**

GRUNDFOS Pumps india Private Limited  
118 Old Mahabalipuram Road  
Thoraiakkam  
Chennai 600 097  
Tel.: +91-44 2496 6800

**Indonesia**

PT GRUNDFOS Pompa  
Graha intirub Lt. 2 & 3  
Jln. Cililitan Besar No.454. Makasar,  
Jakarta Timur  
ID-Jakarta 13650  
Tel.: +62 21-469-51900  
Fax: +62 21-460 6910 / 460 6901

**Ireland**

GRUNDFOS (Ireland) Ltd.  
Unit A, Merrywell Business Park  
Ballymount Road Lower  
Dublin 12  
Tel.: +353-1-4089 800  
Fax: +353-1-4089 830

**Italy**

GRUNDFOS Pompe Italia S.r.l.  
Via Gran Sasso 4  
I-20060 Truccazzano (Milano)  
Tel.: +39-02-95838112  
Fax: +39-02-95309290 / 95838461

**Japan**

GRUNDFOS Pumps K.K.  
1-2-3, Shin-Miyakoda, Kita-ku  
Hamamatsu  
431-2103 Japan  
Tel.: +81 53 428 4760  
Fax: +81 53 428 5005

**Korea**

GRUNDFOS Pumps Korea Ltd.  
6th Floor, Aju Building 679-5  
Yeoksam-dong, Kangnam-ku, 135-916  
Seoul, Korea  
Tel.: +82-2-5317 600  
Fax: +82-2-5633 725

**Latvia**

SIA GRUNDFOS Pumps Latvia  
 Deglava biznesa centrs  
 Augusta Deglava ielā 60  
 LV-1035, Rīga,  
 Tel.: + 371 714 9640, 7 149 641  
 Fax: + 371 914 9646

**Lithuania**

GRUNDFOS Pumps UAB  
 Smolensko g. 6  
 LT-03201 Vilnius  
 Tel.: + 370 52 395 430  
 Fax: + 370 52 395 431

**Malaysia**

GRUNDFOS Pumps Sdn. Bhd.  
 7 Jalan Peguam U1/25  
 Glenmarie Industrial Park  
 40150 Shah Alam, Selangor  
 Tel.: +60-3-5569 2922  
 Fax: +60-3-5569 2866

**Mexico**

Bombas GRUNDFOS de México  
 S.A. de C.V.  
 Boulevard TLC No. 15  
 Parque industrial Stiva Aeropuerto  
 Apodaca, N.L. 66600  
 Tel.: +52-81-8144 4000  
 Fax: +52-81-8144 4010

**Netherlands**

GRUNDFOS Netherlands  
 Veluwezoom 35  
 1326 AE Almere  
 Postbus 22015  
 1302 CA ALMERE  
 Tel.: +31-88-478 6336  
 Fax: +31-88-478 6332  
 E-mail: info\_gnl@grundfos.com

**New Zealand**

GRUNDFOS Pumps NZ Ltd.  
 17 Beatrice Tinsley Crescent  
 North Harbour Industrial Estate  
 Albany, Auckland  
 Tel.: +64-9-415 3240  
 Fax: +64-9-415 3250

**Norway**

GRUNDFOS Pumper A/S  
 Strømsveien 344  
 Postboks 235, Leirdal  
 N-1011 Oslo  
 Tel.: +47-22 90 47 00  
 Fax: +47-22 32 21 50

**Poland**

GRUNDFOS Pompy Sp. z o.o.  
 ul. Klonowa 23  
 Baranowo k. Poznania  
 PL-62-081 Przemierowo  
 Tel.: (+48-61) 650 13 00  
 Fax: (+48-61) 650 13 50

**Portugal**

Bombas GRUNDFOS Portugal, S.A.  
 Rua Calvet de Magalhães, 241  
 Apartado 1079  
 P-2770-153 Paço de Arcos  
 Tel.: +351-21-440 76 00  
 Fax: +351-21-440 76 90

**Romania**

GRUNDFOS Pompe România SRL  
 S-PARK BUSINESS CENTER, Clădirea  
 A2, etaj 2  
 Str. Tipografilor, Nr. 11-15, Sector 1, Cod  
 013714  
 Bucuresti, Romania  
 Tel.: 004 021 2004 100  
 E-mail: romania@grundfos.ro

**Russia**

ООО Грундфос Россия  
 ул. Школьная, 39-41  
 Москва, RU-109544, Russia  
 Тел. (+7) 495 564-88-00 (495) 737-30-00  
 Факс (+7) 495 564 8811  
 E-mail grundfos.moscow@grundfos.com

**Serbia**

Grundfos Srbija d.o.o.  
 Omladinskih brigada 90b  
 11070 Novi Beograd  
 Tel.: +381 11 2258 740  
 Fax: +381 11 2281 769  
 www.rs.grundfos.com

**Singapore**

GRUNDFOS (Singapore) Pte. Ltd.  
 25 Jalan Tukang  
 Singapore 619264  
 Tel.: +65-6681 9688  
 Fax: +65-6681 9689

**Slovakia**

GRUNDFOS s.r.o.  
 Prievozská 4D 821 09 BRATISLAVA  
 Tel.: +421 2 5020 1426  
 sk.grundfos.com

**Slovenia**

GRUNDFOS LJUBLJANA, d.o.o.  
 Leskoškova 9e, 1122 Ljubljana  
 Tel.: +386 (0) 1 568 06 10  
 Fax: +386 (0)1 568 06 19  
 E-mail: tehnika-si@grundfos.com

**South Africa**

GRUNDFOS (PTY) LTD  
 16 Lascelles Drive, Meadowbrook Estate  
 1609 Germiston, Johannesburg  
 Tel.: (+27) 10 248 6000  
 Fax: (+27) 10 248 6002  
 E-mail: lgradidge@grundfos.com

**Spain**

Bombas GRUNDFOS España S.A.  
 Camino de la Fuenteccilla, s/n  
 E-28110 Algete (Madrid)  
 Tel.: +34-91-848 8800  
 Fax: +34-91-628 0465

**Sweden**

GRUNDFOS AB  
 Box 333 (Lunnagårdsgatan 6)  
 431 24 Mölndal  
 Tel.: +46 31 332 23 000  
 Fax: +46 31 331 94 60

**Switzerland**

GRUNDFOS Pumpen AG  
 Bruggacherstrasse 10  
 CH-8117 Fällanden/ZH  
 Tel.: +41-44-806 8111  
 Fax: +41-44-806 8115

**Taiwan**

GRUNDFOS Pumps (Taiwan) Ltd.  
 7 Floor, 219 Min-Chuan Road  
 Taichung, Taiwan, R.O.C.  
 Tel.: +886-4-2305 0868  
 Fax: +886-4-2305 0878

**Thailand**

GRUNDFOS (Thailand) Ltd.  
 92 Chalome Phrakiat Rama 9 Road  
 Dokmai, Pravej, Bangkok 10250  
 Tel.: +66-2-725 8999  
 Fax: +66-2-725 8998

**Turkey**

GRUNDFOS POMPA San. ve Tic. Ltd.  
 Sti.  
 Gebze Organize Sanayi Bölgesi  
 Ihsan dede Caddesi  
 2. yol 200. Sokak No, 204  
 41490 Gebze/ Kocaeli  
 Tel.: +90 - 262-679 7979  
 Fax: +90 - 262-679 7905  
 E-mail: satis@grundfos.com

**Ukraine**

ТОВ "ГРУНДФОС УКРАЇНА"  
 Бізнес Центр Європа  
 Столицне шосе, 103  
 м. Київ, 03131, Україна  
 Tel.: (+38 044) 237 04 00  
 Fax: (+38 044) 237 04 01  
 E-mail: ukraine@grundfos.com

**United Arab Emirates**

GRUNDFOS Gulf Distribution  
 P.O. Box 16768  
 Jebel Ali Free Zone, Dubai  
 Tel.: +971 4 8815 166  
 Fax: +971 4 8815 136

**United Kingdom**

GRUNDFOS Pumps Ltd.  
 Grovebury Road  
 Leighton Buzzard/Beds. LU7 4TL  
 Tel.: +44-1525-850000  
 Fax: +44-1525-850011

**U.S.A.**

Global Headquarters for WU  
 856 Koomey Road  
 Brookshire, Texas 77423 USA  
 Phone: +1-630-236-5500

**Uzbekistan**

Grundfos Tashkent, Uzbekistan  
 The Representative Office of Grundfos  
 Kazakhstan in Uzbekistan  
 38a, Oybek street, Tashkent  
 Tel.: (+998) 71 150 3290 / 71 150 3291  
 Fax: (+998) 71 150 3292



<b>99406808</b> 12.2022
-------------------------

ECM: 1352106
--------------

[www.grundfos.com](http://www.grundfos.com)

**GRUNDFOS** 