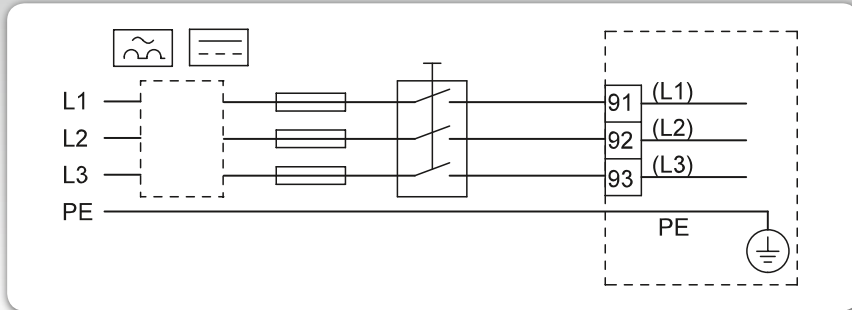


5



6

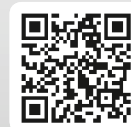


96794343 0819

ECM: 1267072

© 2019 Grundfos Holding A/S, all rights reserved.  
 Trademarks displayed in this material, including but not limited to Grundfos, the Grundfos logo and "be think innovate" are registered trademarks owned by The Grundfos Group. All rights reserved.

# CUE



CUE installation and operating instructions  
[net.grundfos.com/qr/i/96780034](http://net.grundfos.com/qr/i/96780034)



CUE safety instructions  
[net.grundfos.com/qr/i/99674140](http://net.grundfos.com/qr/i/99674140)

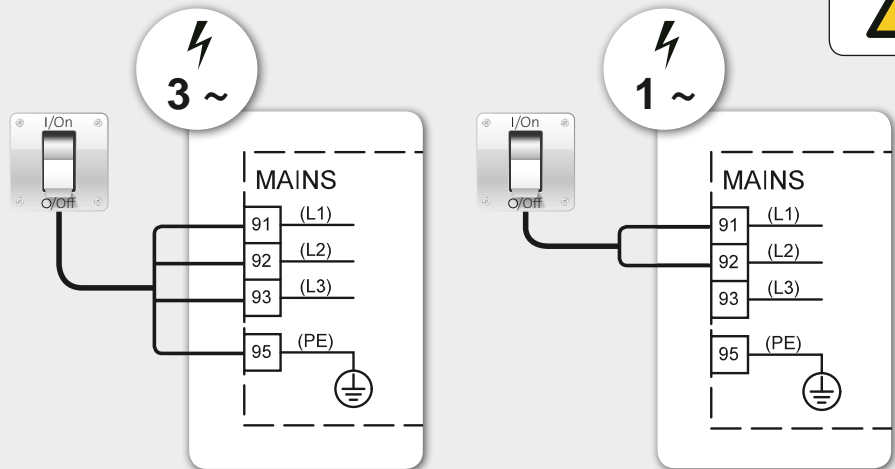
GRUNDFOS Holding A/S  
 Poul Due Jensens Vej 7  
 DK-8850 Bjerringbro  
 Tel: +45 87 50 14 00  
[www.grundfos.com](http://www.grundfos.com)

**GRUNDFOS**

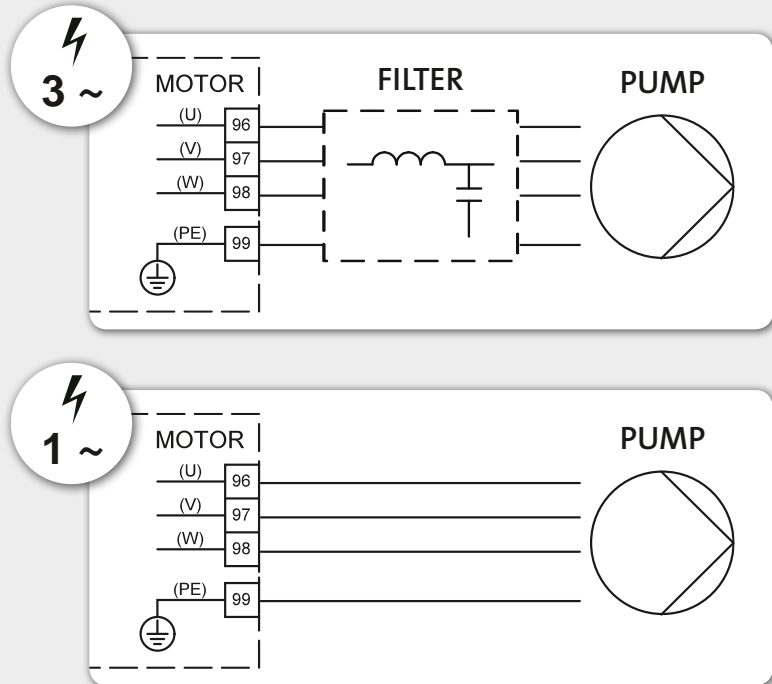
be  
 think  
 innovate

**GRUNDFOS**

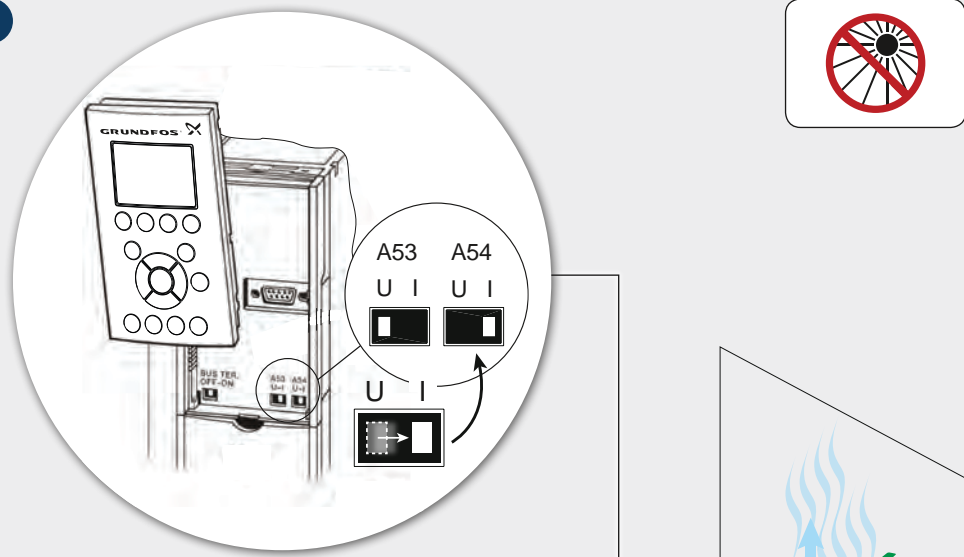
1



2



3



4

