

PLV/PRV

PRESSURE LOADING VALVE
PRESSURE RELIEF VALVE

G 5/8 – 60 l/h



Installation and
operating instructions PLV



net.grundfos.com/qr/i/96681527

Installation and
operating instructions PRV



net.grundfos.com/qr/i/96681525



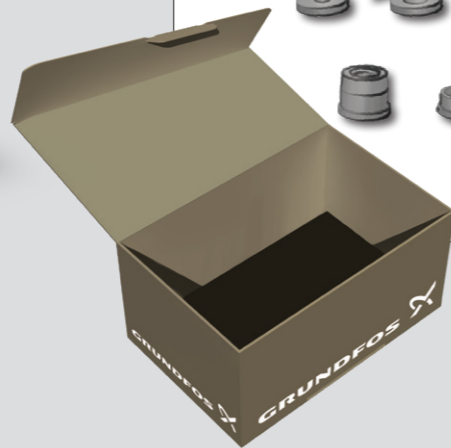
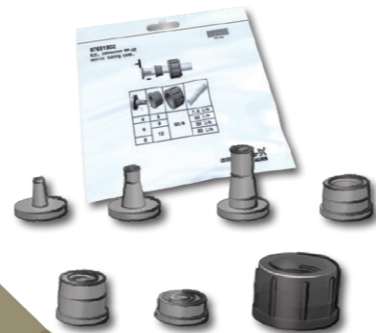
PLV



1x (2x)



2x



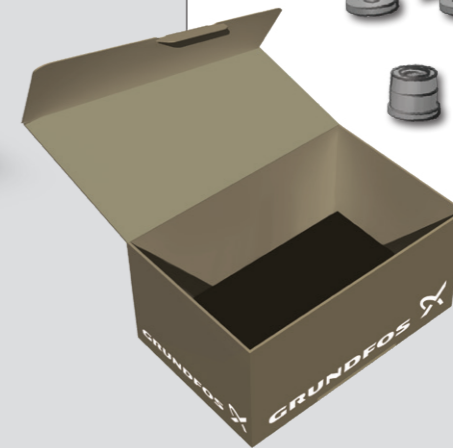
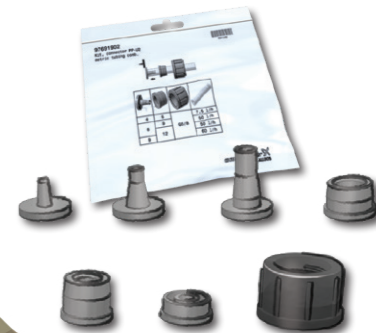
PRV








1x (2x)



3x





	SS / PVDF  + 	PVC / PP  + 
 < 10 bar (< 145 psi)	-10 °C – +40 °C (14 °F – 104 °F)	0 °C – +40 °C (32 °F – 104 °F)
10 – 16 bar (145 – 232 psi)	-10 °C – +20 °C (14 °F – 68 °F)	0 °C – +20 °C (32 °F – 68 °F)

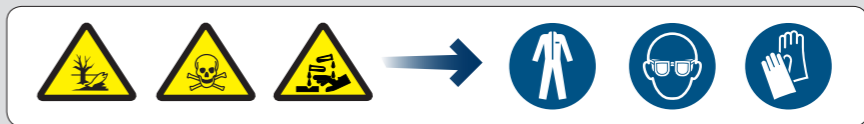
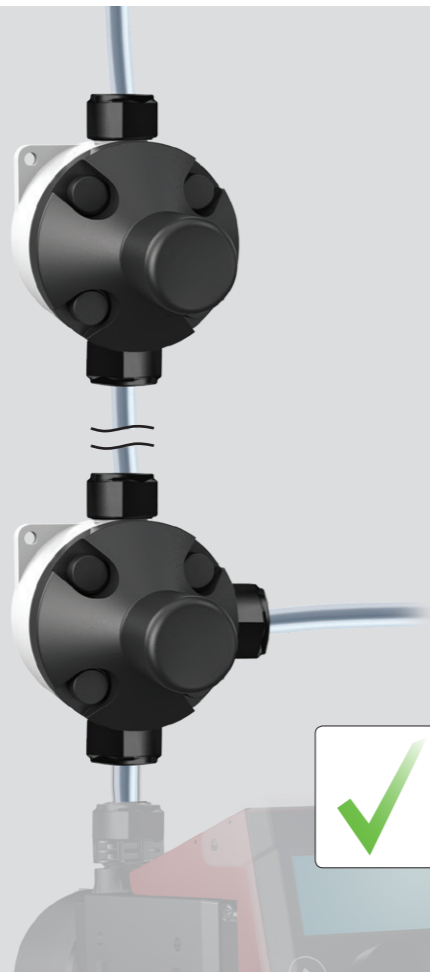


$p_{max} = 16 \text{ bar (232 psi)}$





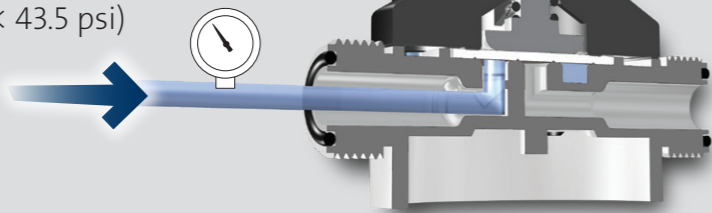
PLV / PRV



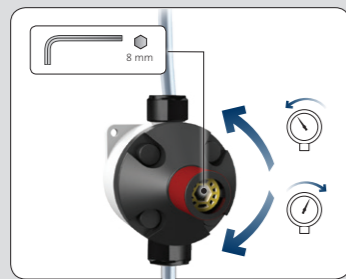
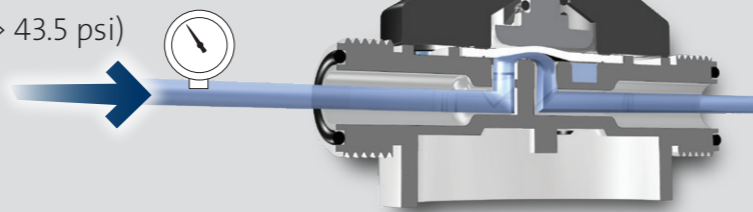


PLV

$p < 3 \text{ bar} (< 43.5 \text{ psi})$

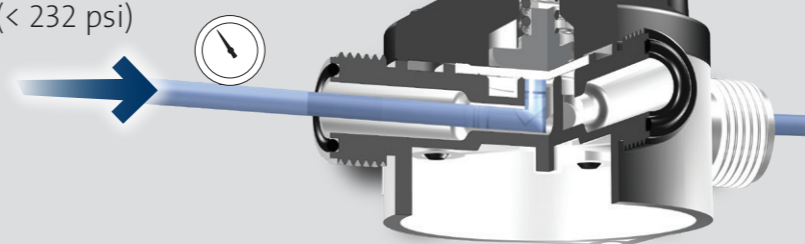


$p > 3 \text{ bar} (> 43.5 \text{ psi})$

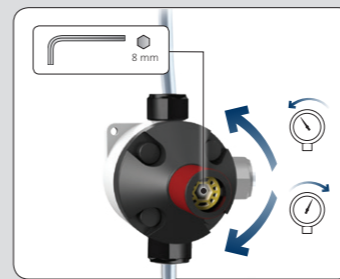
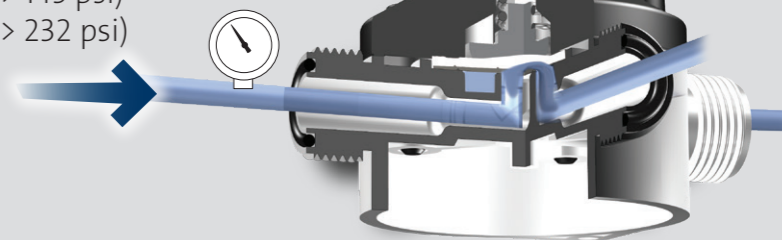


PRV

$p < 10 \text{ bar} (< 145 \text{ psi})$
 $p < 16 \text{ bar} (< 232 \text{ psi})$

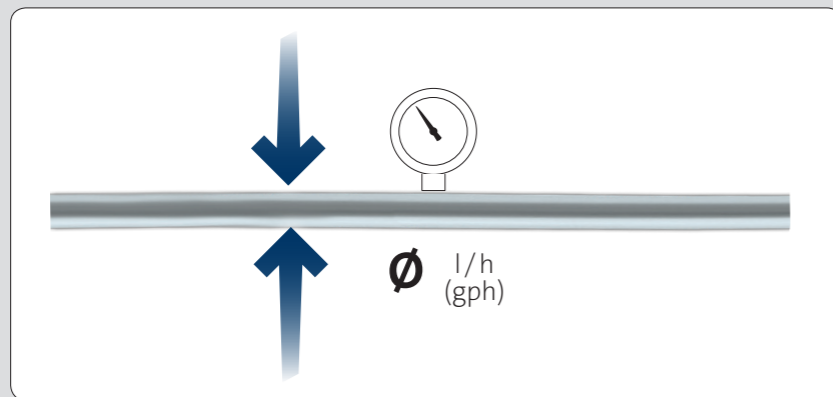
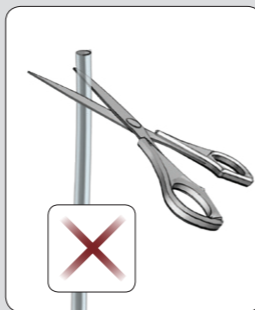
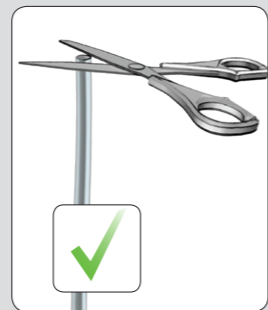
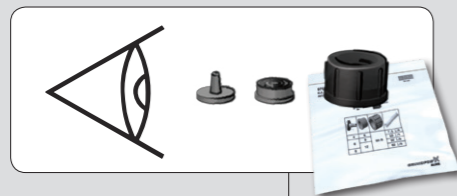


$p > 10 \text{ bar} (> 145 \text{ psi})$
 $p > 16 \text{ bar} (> 232 \text{ psi})$

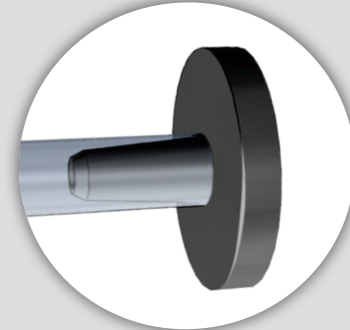
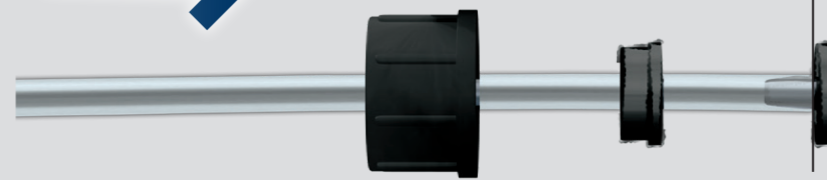
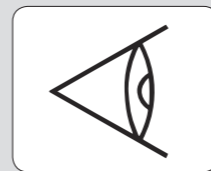




1



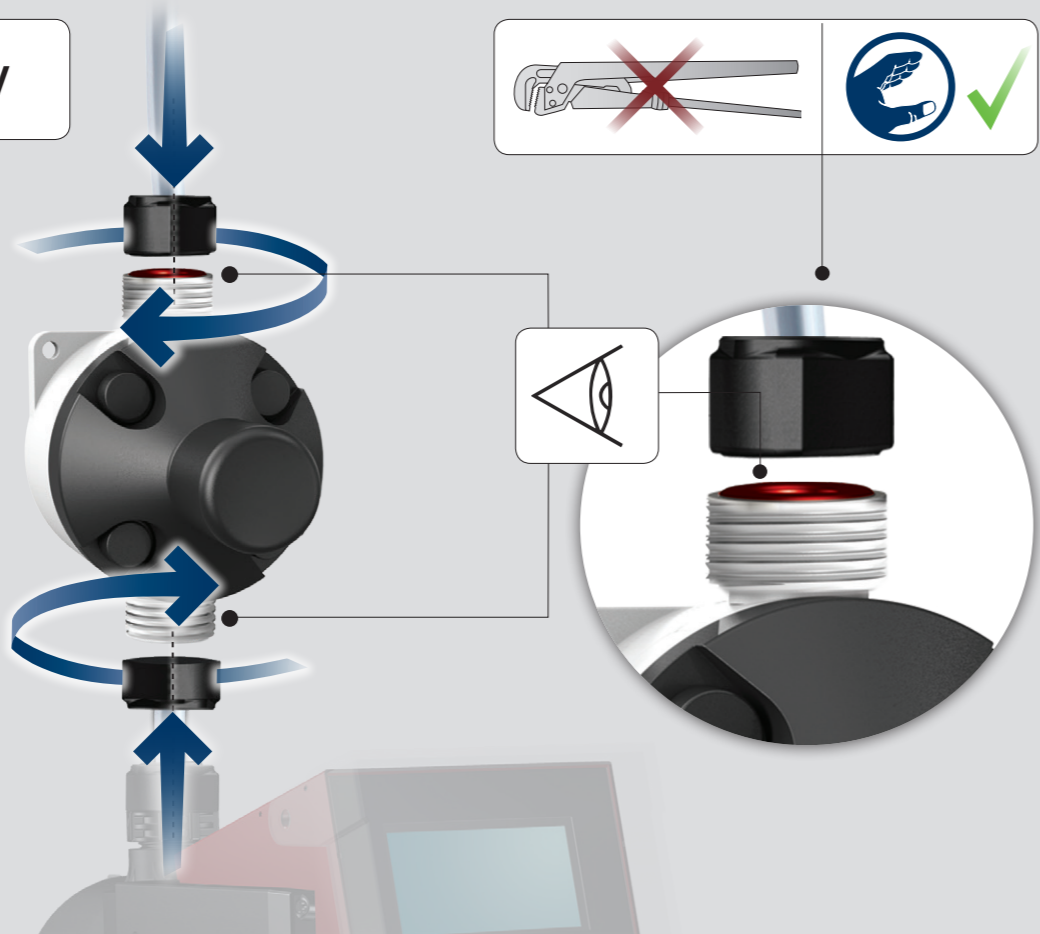
2



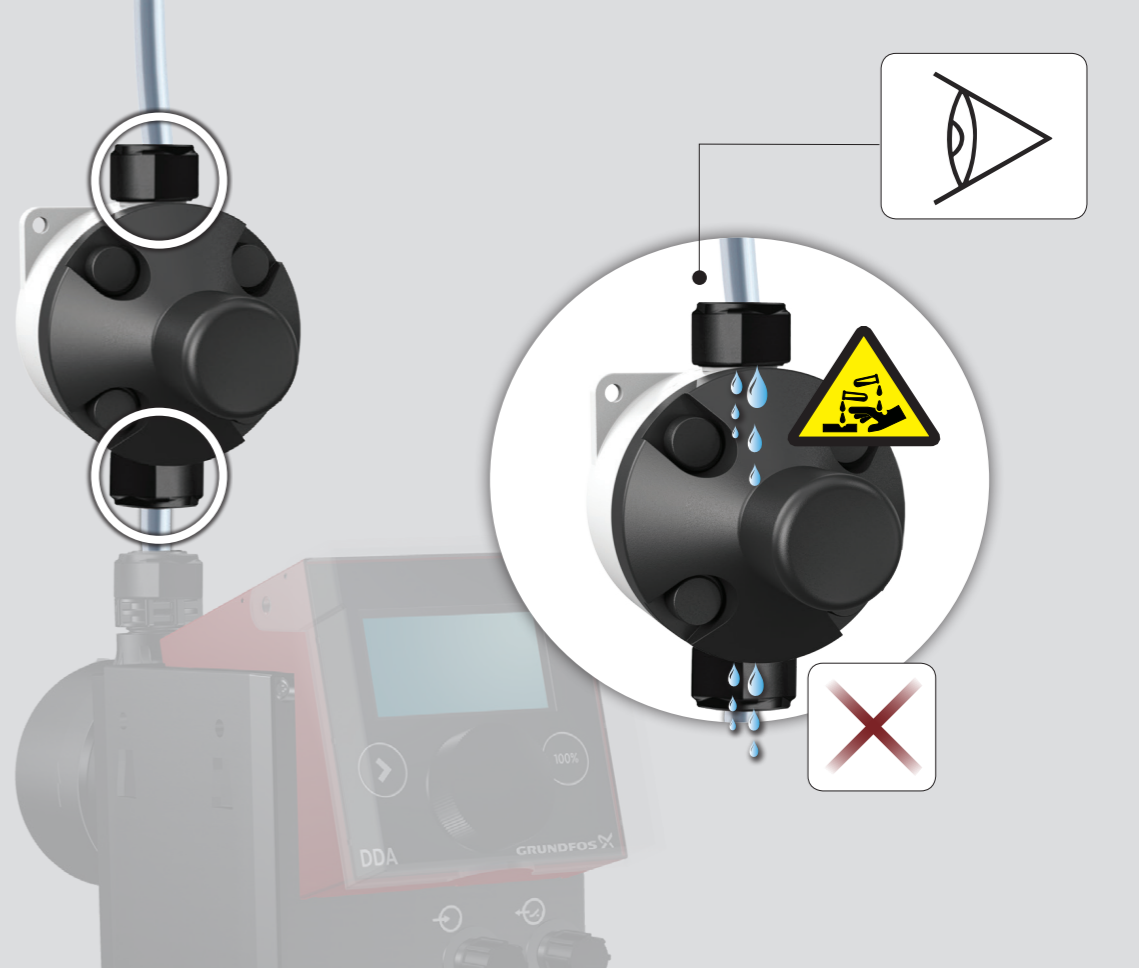
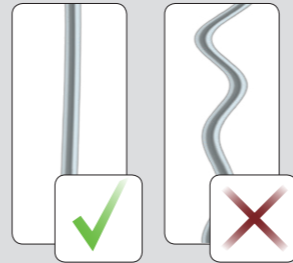


3a

PLV



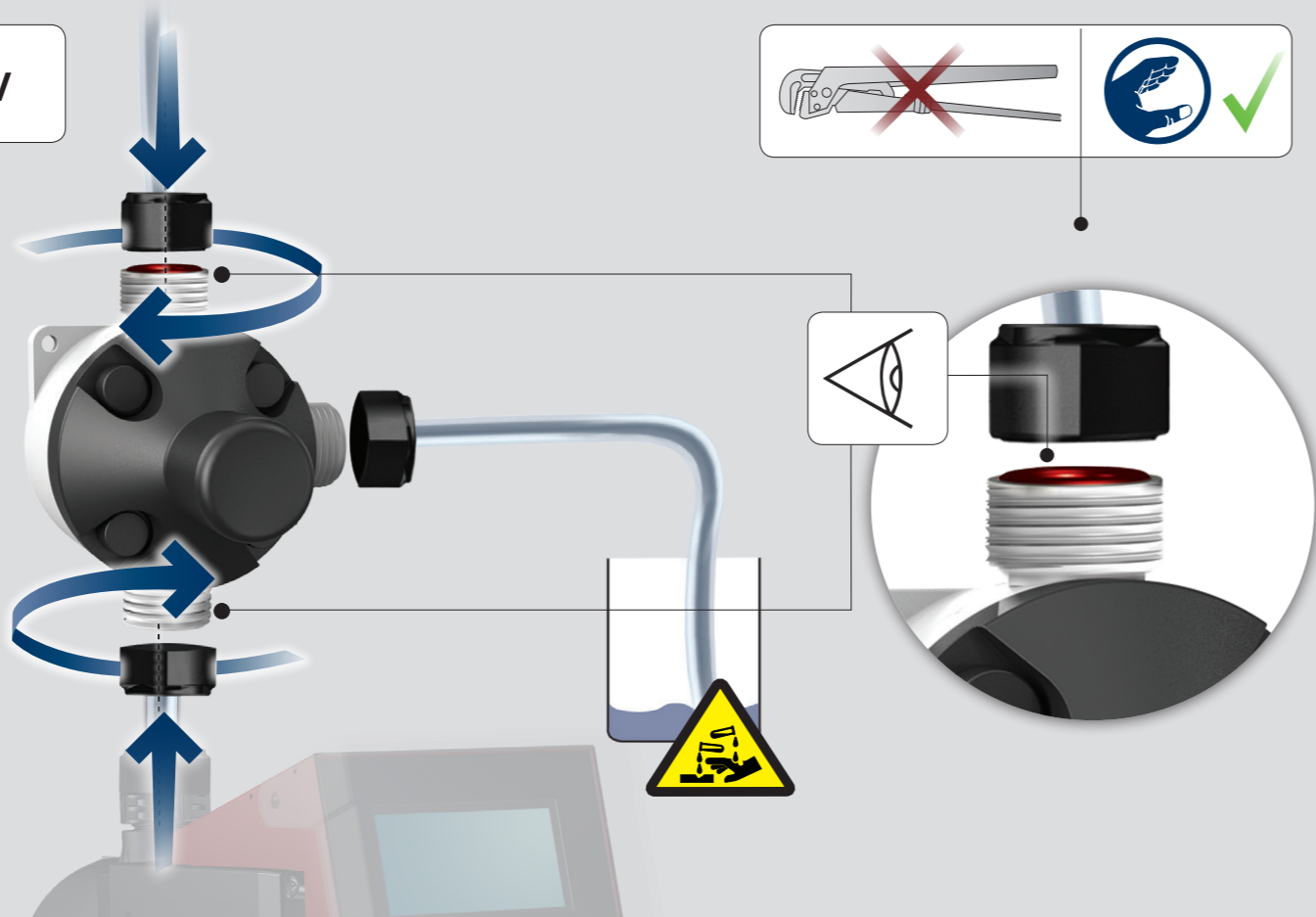
4a



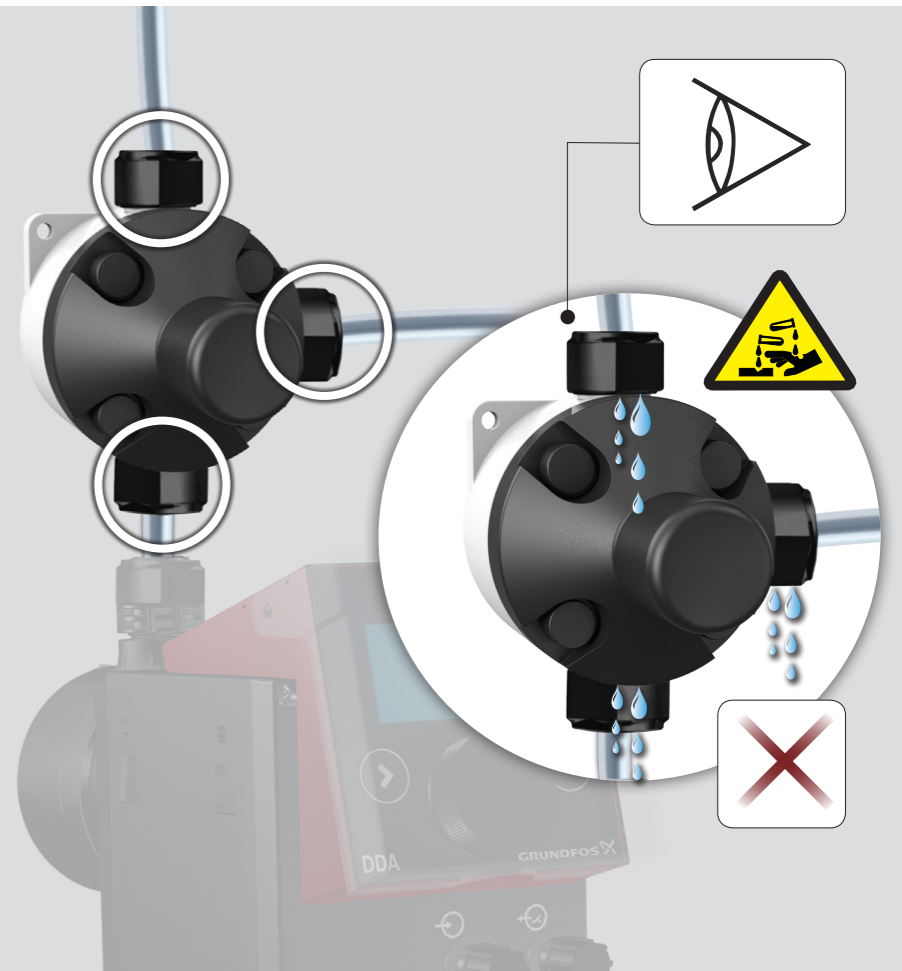
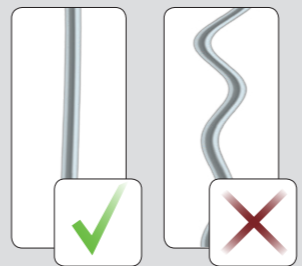


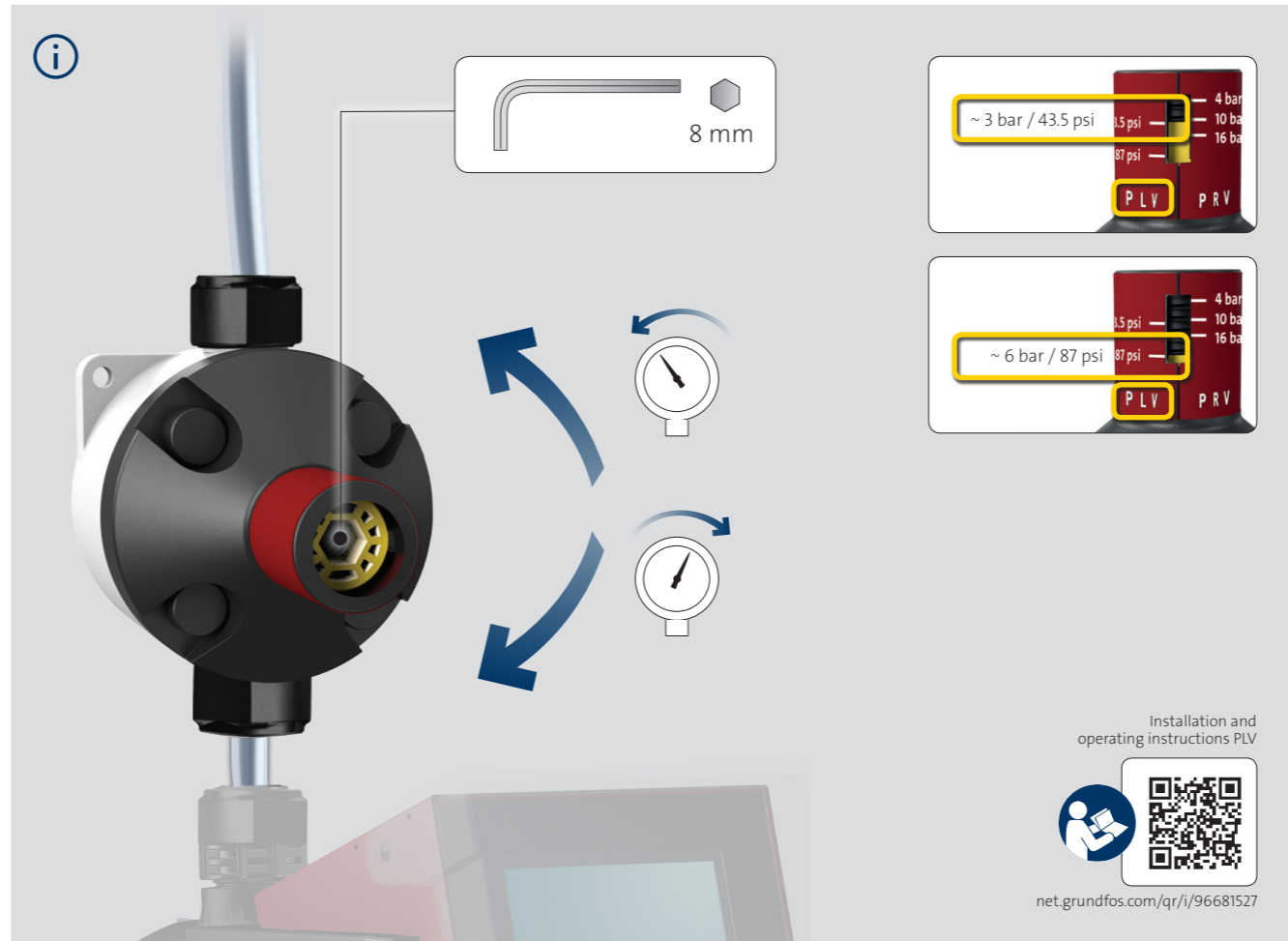
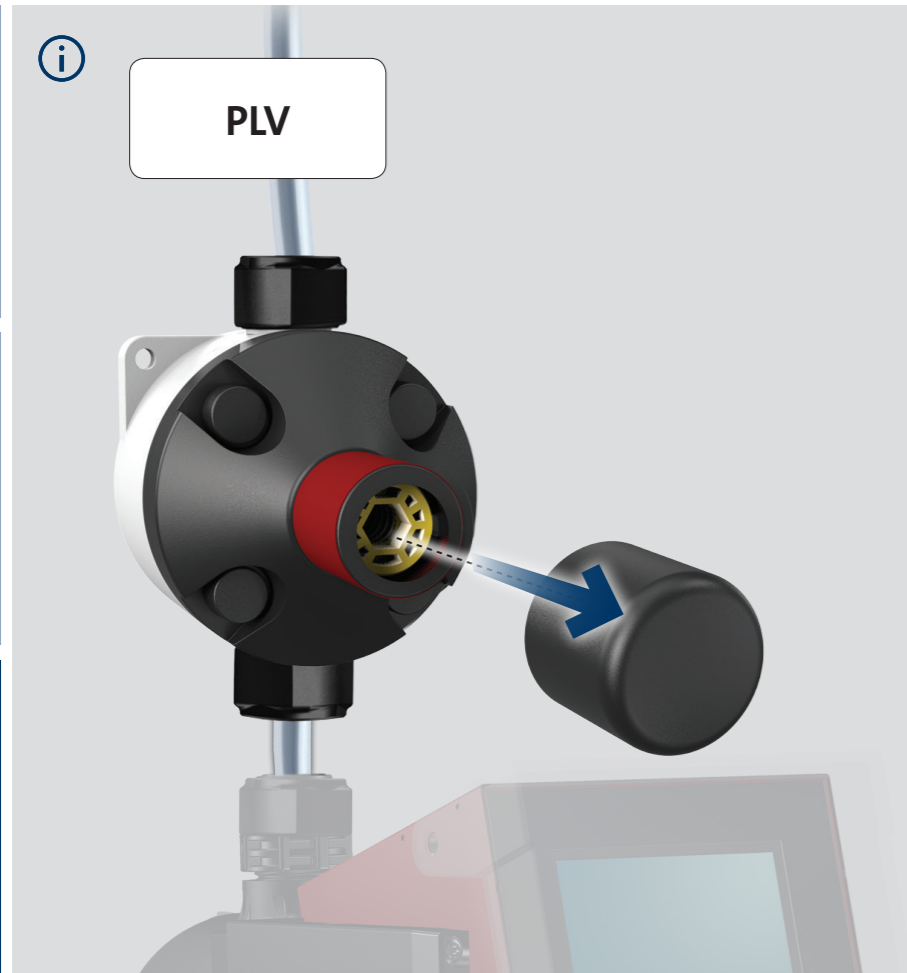
3b

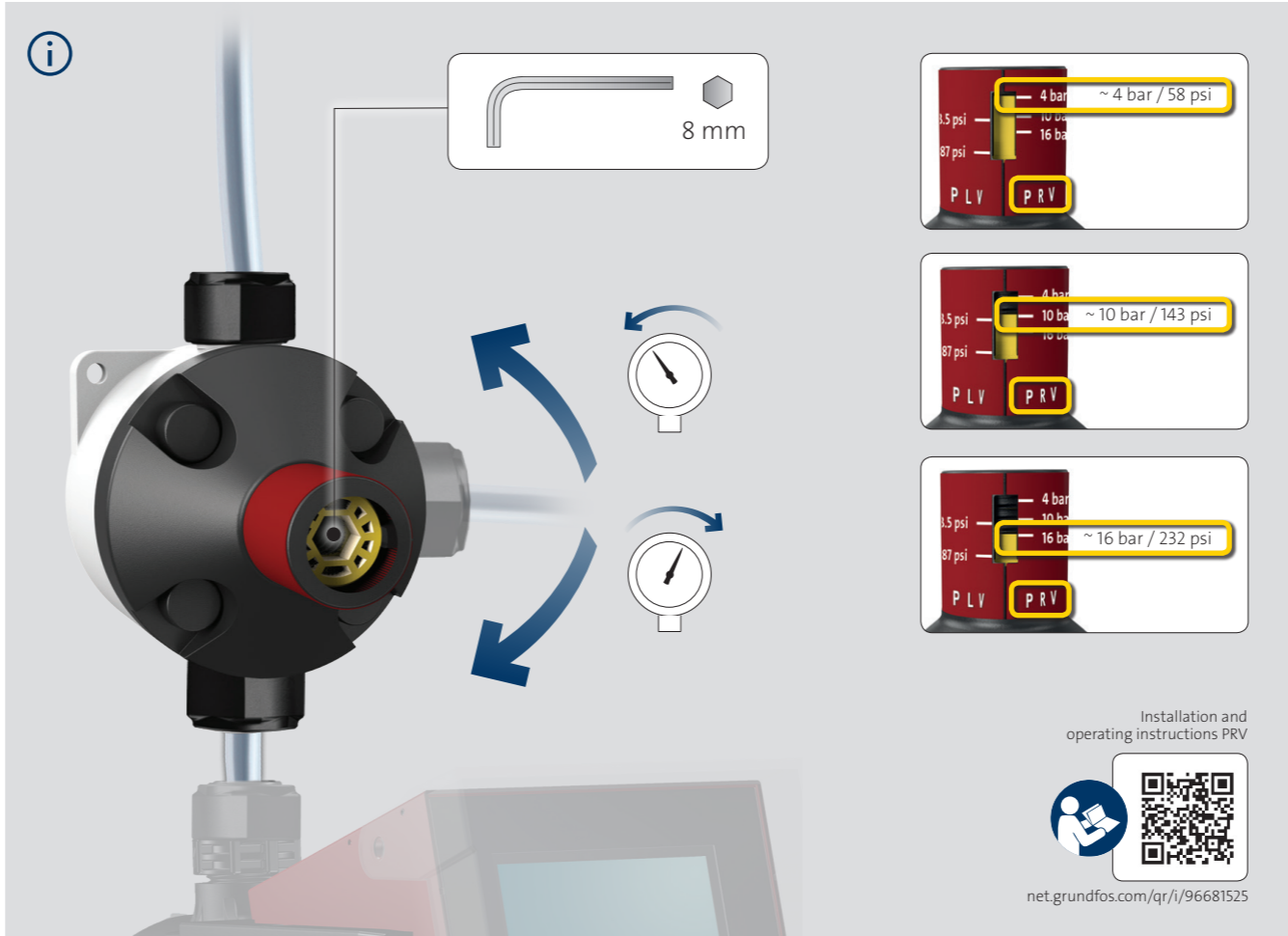
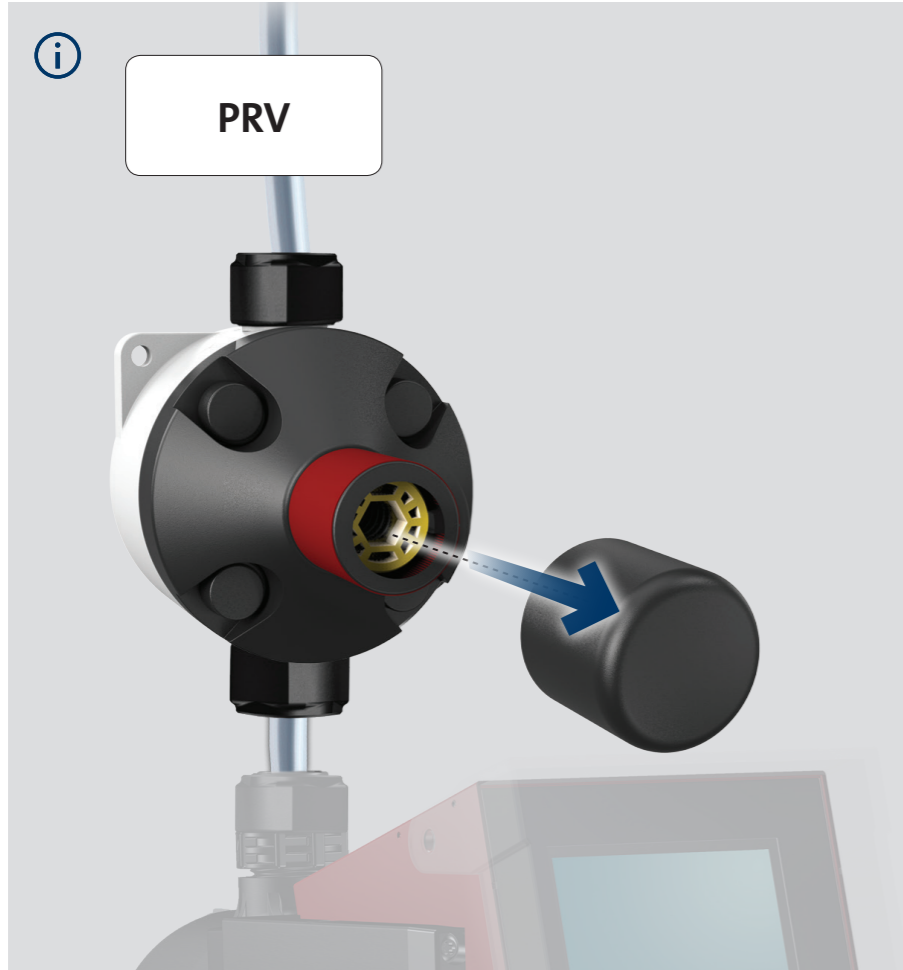
PRV



4b







be think innovate

99607613 0419

ECM: 1258374

GRUNDFOS Holding A/S
Poul Due Jensens Vej 7
DK-8850 Bjerringbro
Tel: +45 87 50 14 00
www.grundfos.com

GRUNDFOS 

Trademarks displayed in this material, including but not limited to Grundfos, the Grundfos logo and "be think innovate" are registered trademarks owned by The Grundfos Group. All rights reserved.
© 2019 Grundfos Holding A/S. All rights reserved.