

CR, CRN 95-255

Thrust handling device replacement

Service kit instructions



Service instructions

<http://net.grundfos.com/qr/i/99233360>

be
think
innovate

GRUNDFOS 

English (GB) Service kit instructions

1. General warning

English (GB)



Warning

Before starting service work, read the safety instructions supplied with the product.

Dansk (DK)



Advarsel

Læs sikkerhedsanvisningerne der blev leveret med produktet, før du foretager servicearbejde.

Deutsch (DE)



Warnung

Vor der Durchführung irgendwelcher Reparaturarbeiten ist die mit dem Produkt mitgelieferten Sicherheitshinweise sorgfältig durchzulesen.

Español (ES)



Advertencia

Antes de comenzar el trabajo, lea las instrucciones de seguridad suministradas con el producto.

Français (FR)



Avertissement

Avant toute intervention, consulter les consignes de maintenance fournies avec le produit.

Italiano (IT)



Avviso

Prima di iniziare i lavori di manutenzione, leggere le istruzioni di sicurezza fornite con il prodotto.

Português (PT)**Aviso**

Antes de iniciar o serviço de manutenção, leia as instruções de segurança fornecidas com o produto.

Русский (RU)**Предупреждение**

Перед началом работ по сервисному обслуживанию необходимо прочитать сервисное руководство, поставляемое с продуктом.

中文 (CN)**警告**

在开始维修工作前，请参阅与产品一起随附的安全手册。

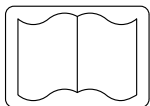
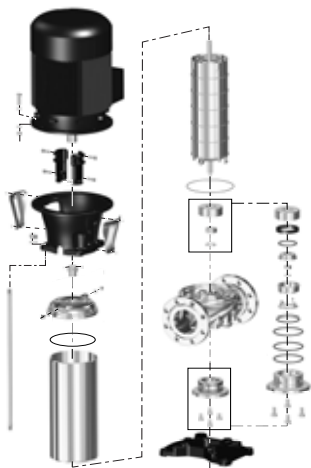
日本語 (JP)**警告**

作業を始める前に、製品に添付された安全上の説明書をお読みください。

한국어 (KO)**경고**

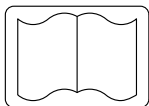
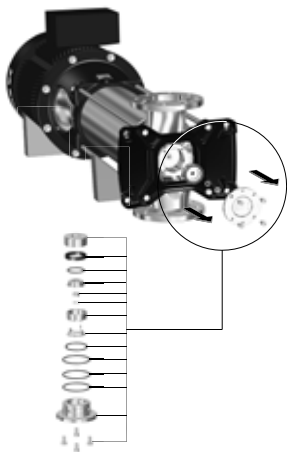
서비스를 수행하기 전에, 제품과 함께 제공된 안전 이용 수칙 (Safety instructions) 을 반드시 읽으십시오.

A



Pages 5-32

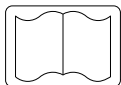
B



Pages 33-40

Fig. 1

A



Pages 6-32

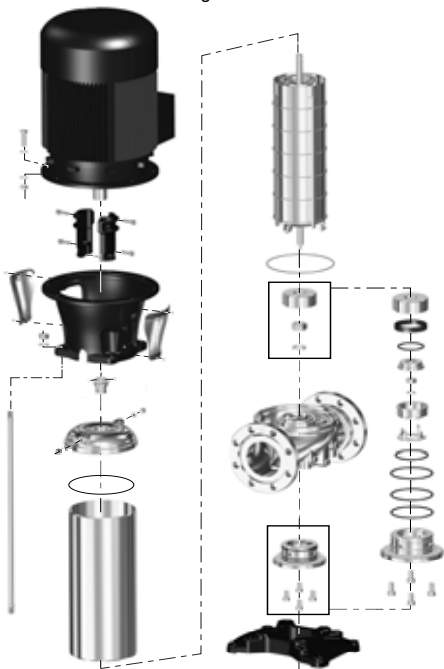


Fig. 1

TM07 1688 2118

CONTENTS

Page

2. Dismantling

6

3. Assembly

15

2. Dismantling

DK: Demontering

PT: Desmontagem

DE: Demontage

RU: Демонтаж

ES: Desmontaje

CN: 拆卸

FR: Démontage

JP: 分解手順

IT: Smontaggio

KO: 분해

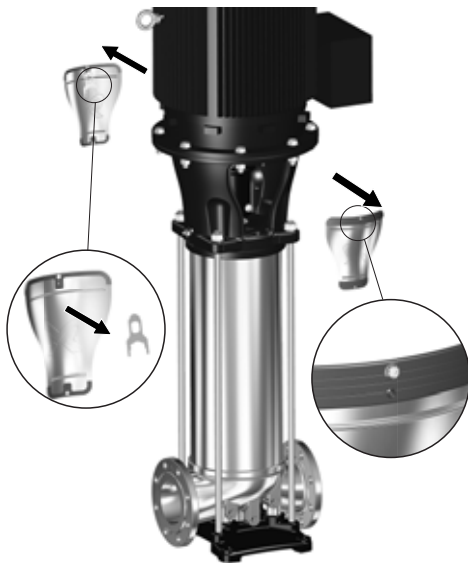
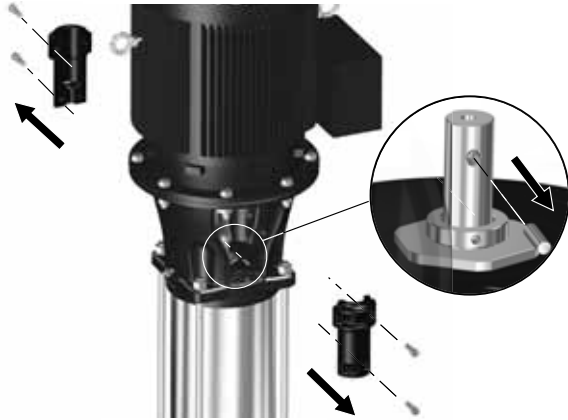


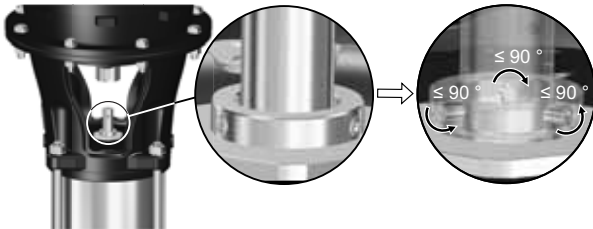
Fig. 2

TM07 0893 1018



TM07 0894 1518

Fig. 3



TM07 0895 1318

Fig. 4

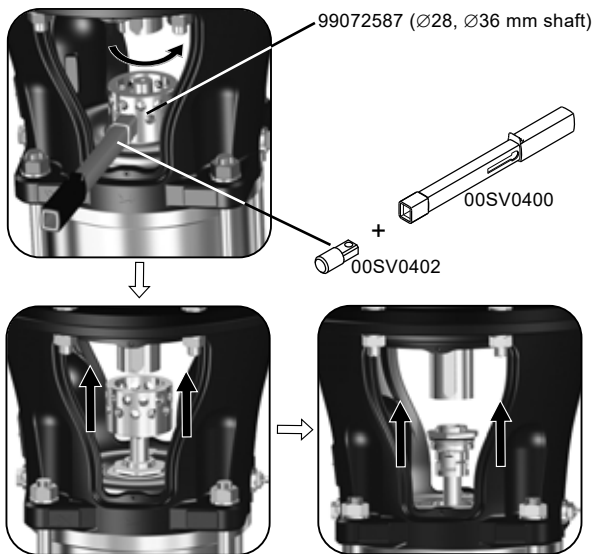


Fig. 5

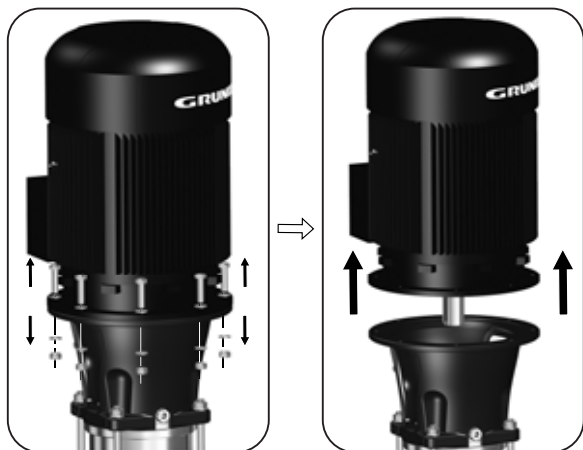


Fig. 6

TM07 0899 1218

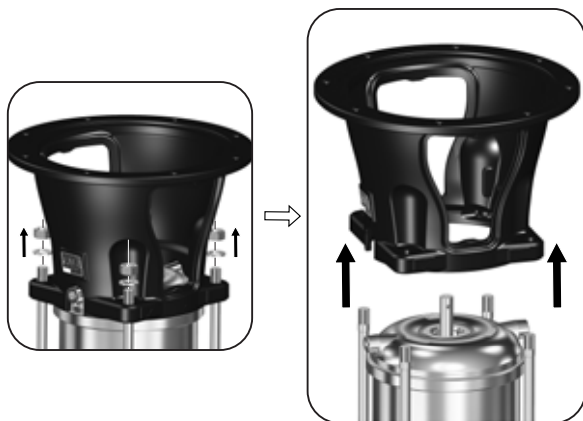


Fig. 7

TM07 0902 1218

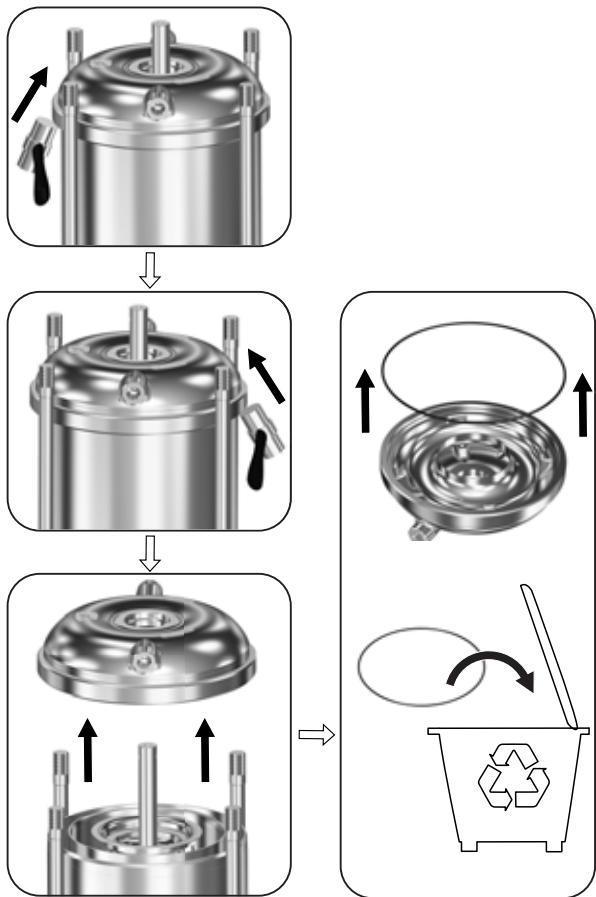


Fig. 8

TM07 0904 15/18

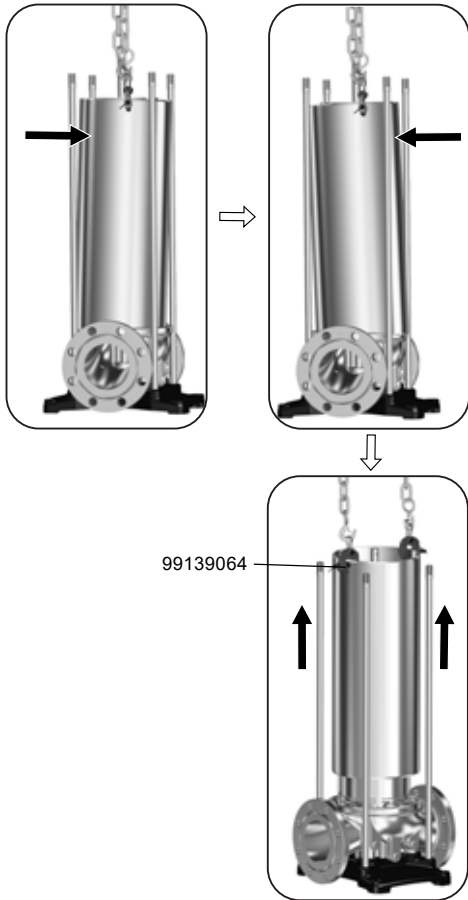


Fig. 9

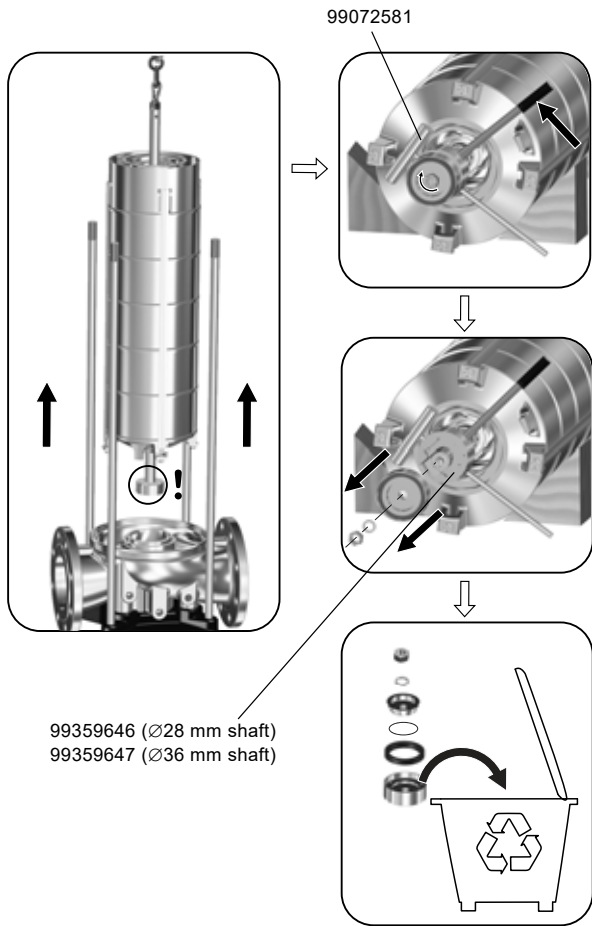


Fig. 10

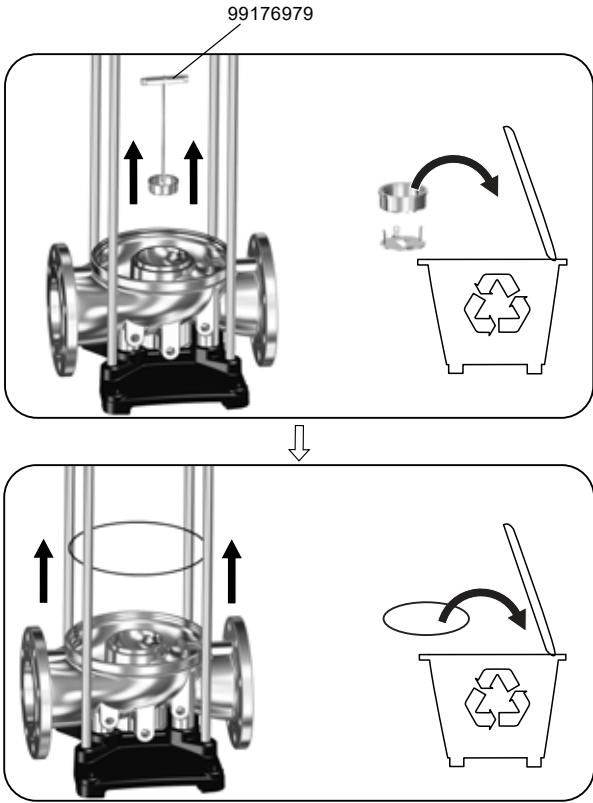


Fig. 11

TM07 1632 1918

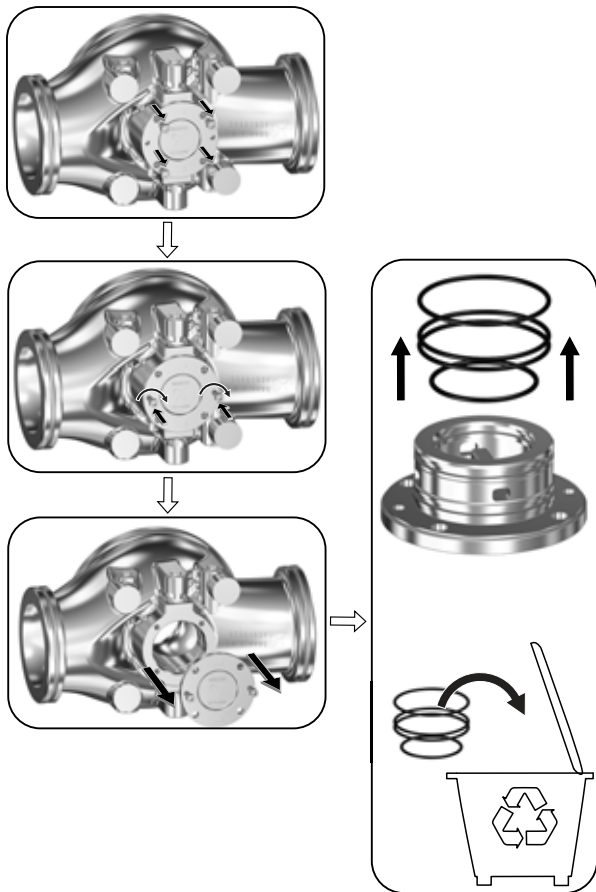


Fig. 12

TM07 1642 2018

3. Assembly

DK: Montering

DE: Montage

ES: Montaje

FR: Montage

IT: Montaggio

PT: Montagem

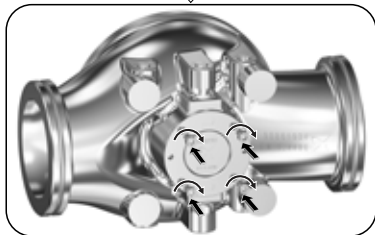
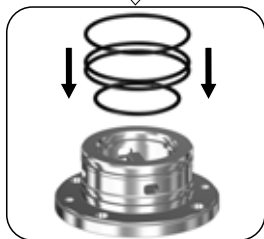
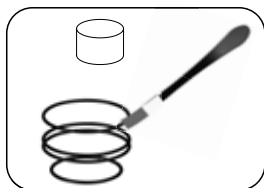
RU: Подключение

CN: 装配

JP: 組み立て手順

KO: 조립

Rocol Sapphire Aqua-Sil



Size	Torque [Nm]
M8	22
M10	43

Fig. 13

TM07 1643 1918

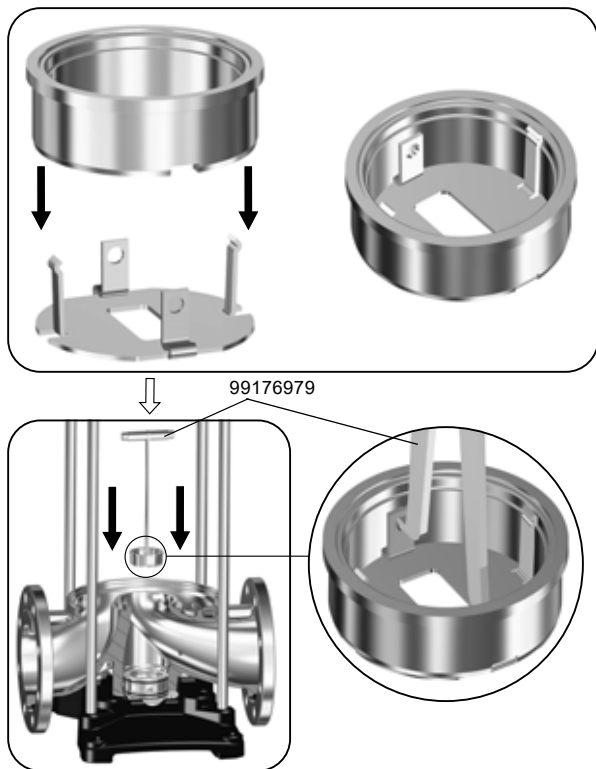


Fig. 14

TM07 1646 2018

Rocol Sapphire Aqua-Sil

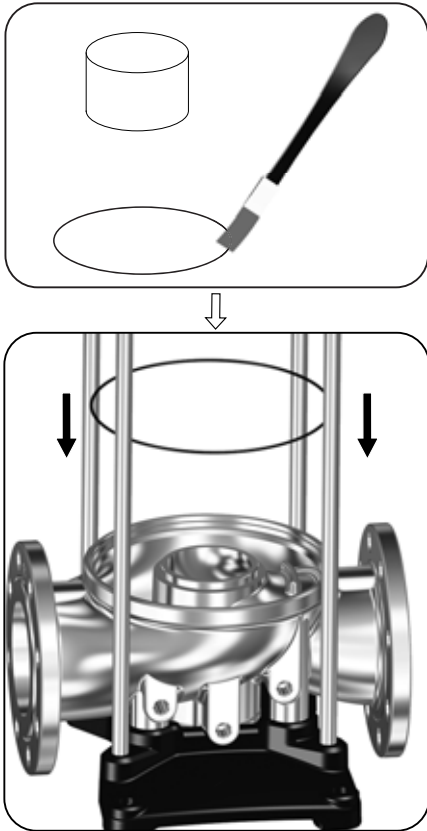


Fig. 15

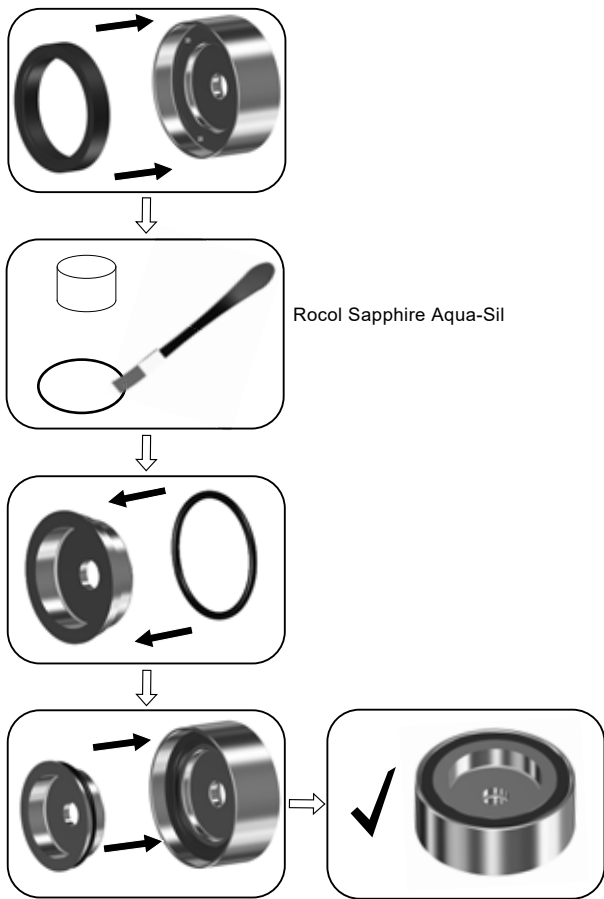


Fig. 16

TM07 1644 2018

Size	Torque [Nm]
M12	60
M16	140

99072581

99359646 (Ø28 mm shaft)

99359647 (Ø36 mm shaft)

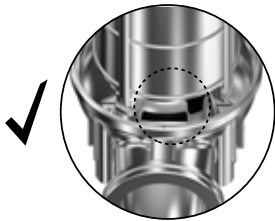
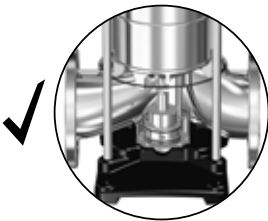
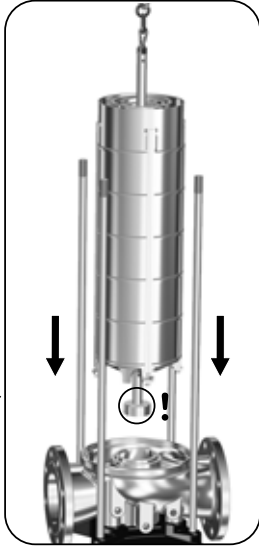
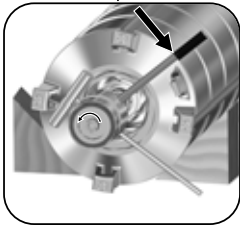
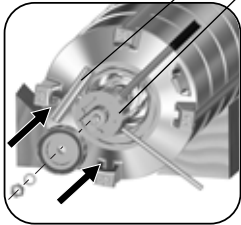


Fig. 17

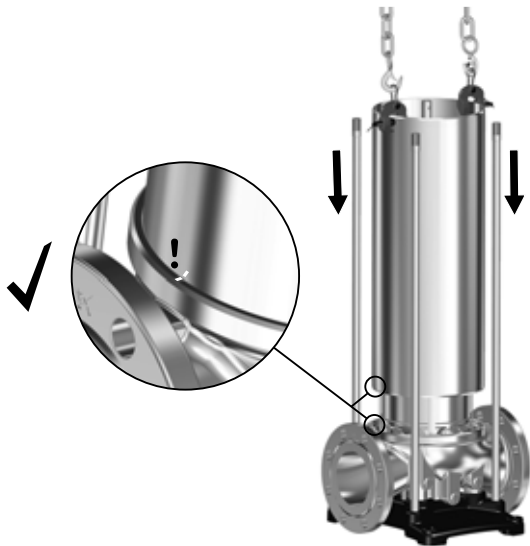


Fig. 18

TM07 0849 1418

Rocol Sapphire Aqua-Sil

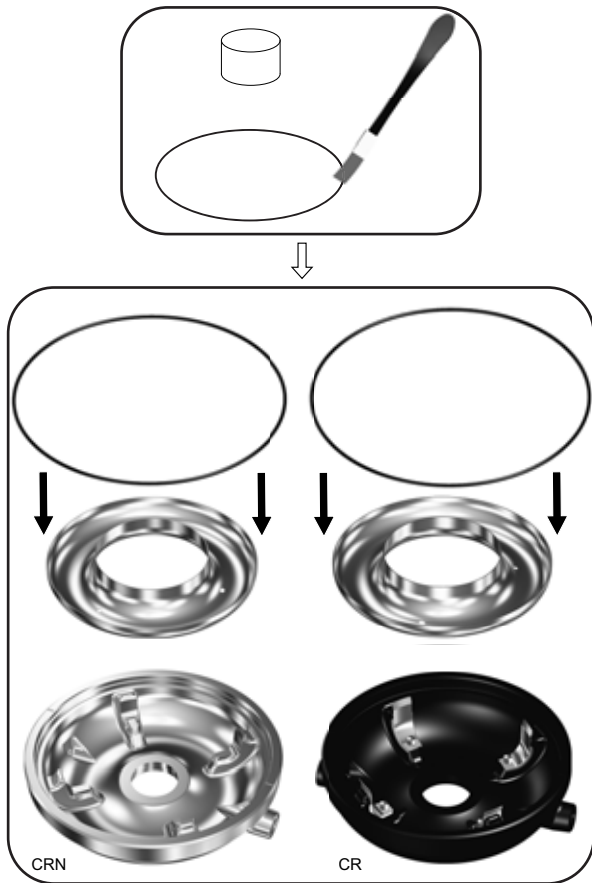


Fig. 19

TM07 0852 1718

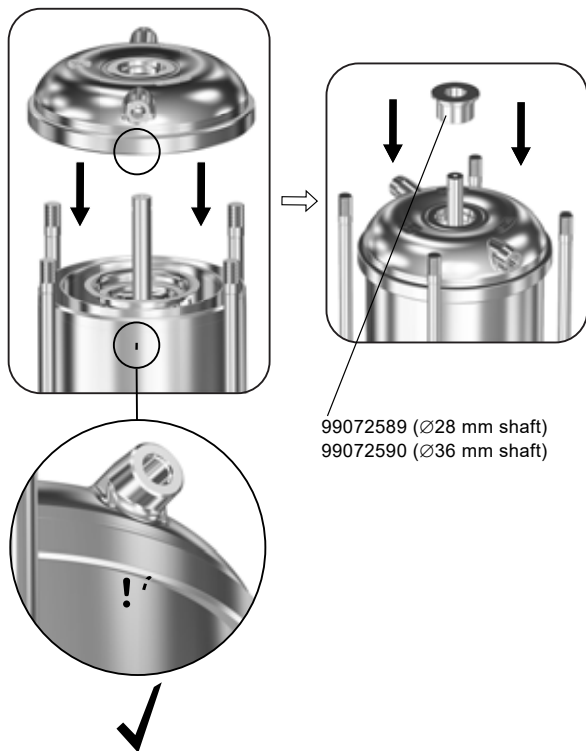


Fig. 20

Size	Torque [Nm]
M16 (CR, CRN 95, PN 16/25/30)	160
M20 (CR, CRN 95, PN 25)	220
M20 (CR, CRN 95, PN 30/40)	320
M20 (CR, CRN 95/125/155, PN 16)	190
M20 (CR, CRN 125/155, PN 25/30)	320
M24 (CR, CRN 125/155, PN 16)	190
M24 (CR, CRN 125/155, PN 25/30/40)	625
M30 (CR, CRN 185/215/255, PN 16)	410
M30 (CR, CRN 185/215/255, PN 25)	710
M30 (CR, CRN 185/215/255, PN 40)	950

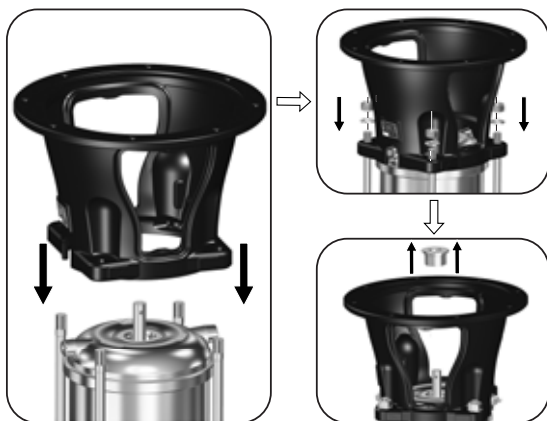


Fig. 21

TM07 0855 1518

Size	Torque [Nm]
M12	40
M16	150
M20	150

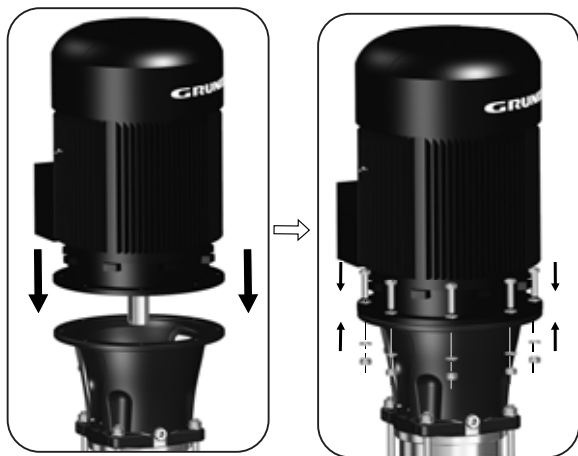


Fig. 22

TM07 0867 1418

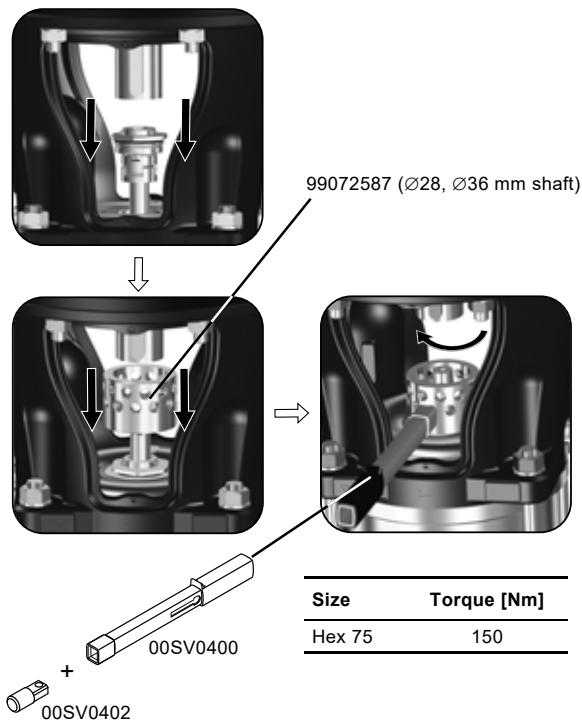
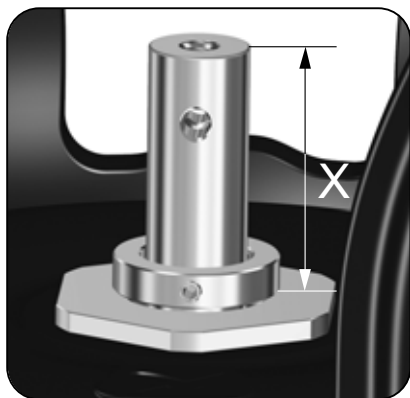


Fig. 23

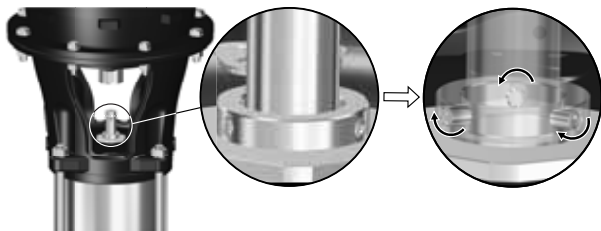
TM07 0864 1618



$X = \text{max. } 71 \text{ mm}$

Fig. 24

TM07 0969 1018



Size	Torque [Nm]
M6	6

Fig. 25

TM07 0866 1518

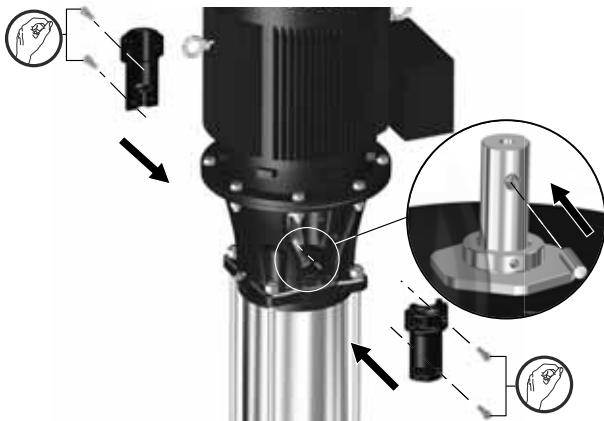


Fig. 26

TM07 1344 1518

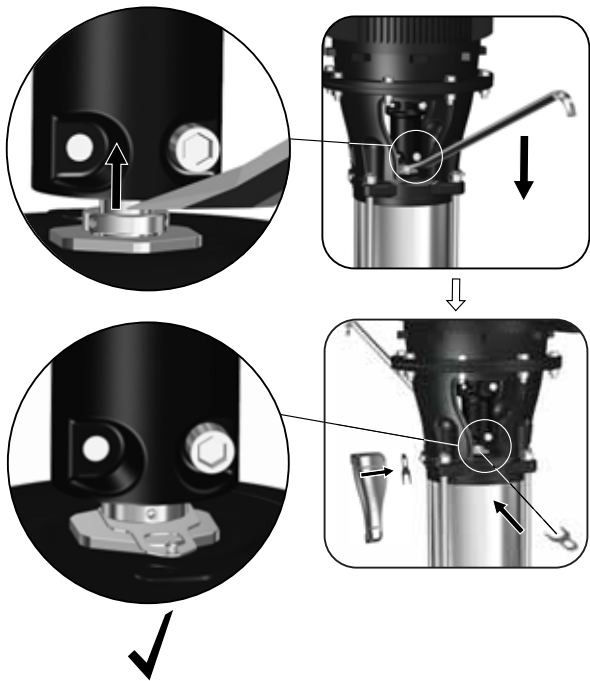


Fig. 27

TM07 0868 1418

Size	Torque [Nm]	Lubricant
M10	85	Un Lock (96611372)
M16	100	

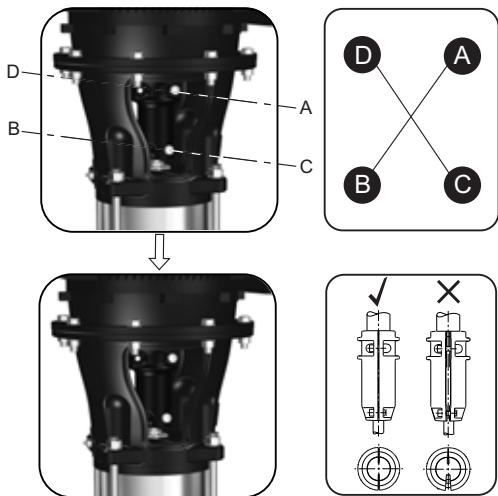


Fig. 28

TM07 0970 1718

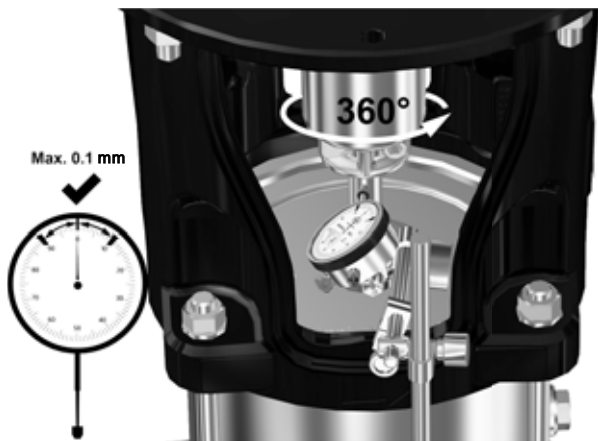


Fig. 29

TM07 5562 4519



Fig. 30

Size	Torque [Nm]
M5	4

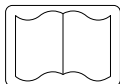
TM07 0869 1418



Fig. 31

TM07 0870 1418

B



Page 34-40

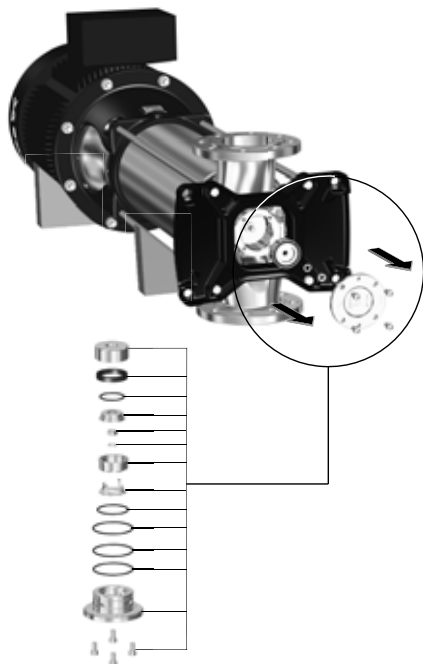


Fig. 1

CONTENTS

Page

4. Dismantling

34

5. Assembly

37

4. Dismantling

DK: Demontering

PT: Desmontagem

DE: Demontage

RU: Демонтаж

ES: Desmontaje

CN: 拆卸

FR: Démontage

JP: 分解手順

IT: Smontaggio

KO: 분해

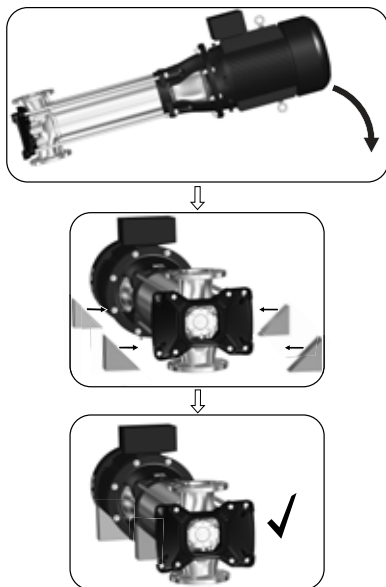


Fig. 2

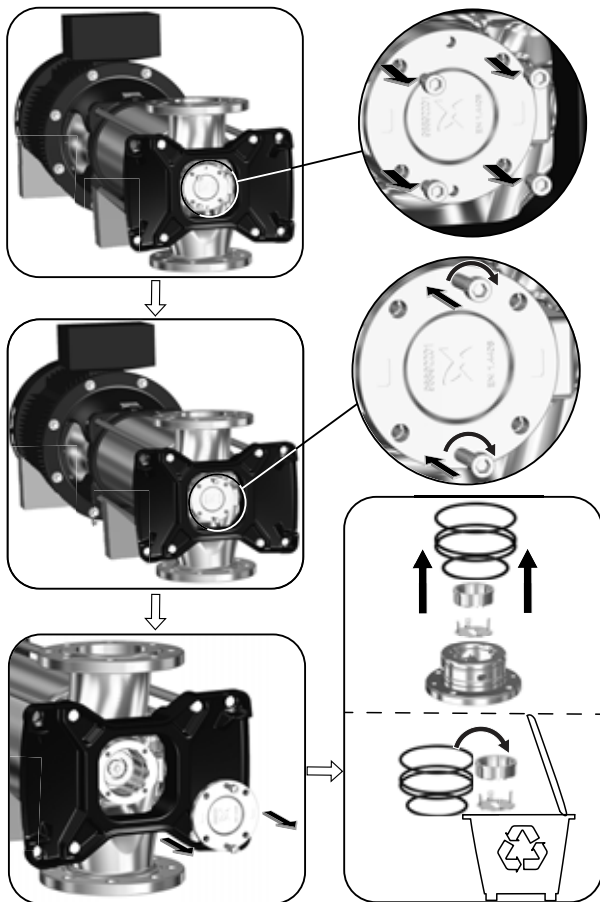
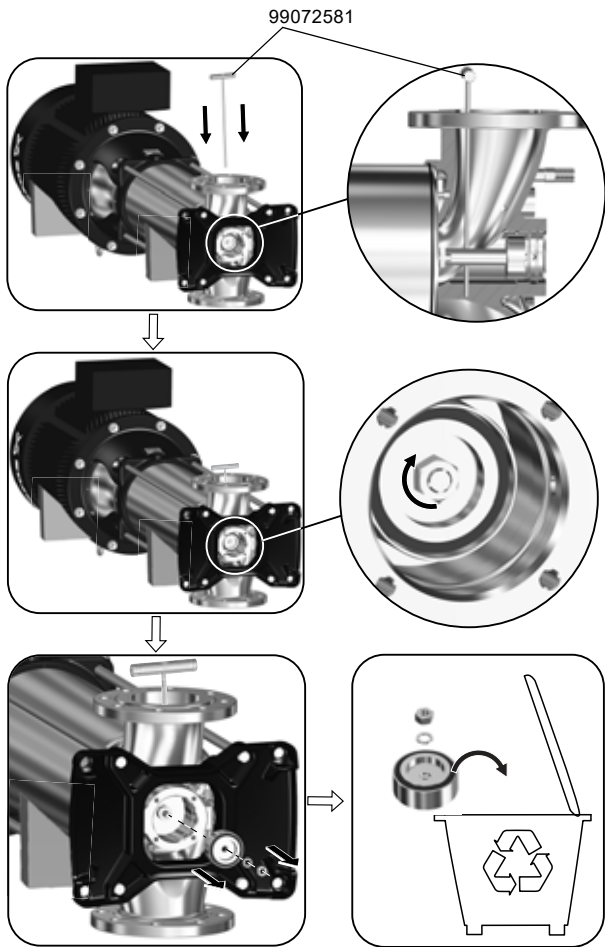


Fig. 3

TM07 1649 2118



TM07 1651 2118

5. Assembly

DK: Montering

DE: Montage

ES: Montaje

FR: Montage

IT: Montaggio

PT: Montagem

RU: Подключение

CN: 装配

JP: 組み立て手順

KO: 조립

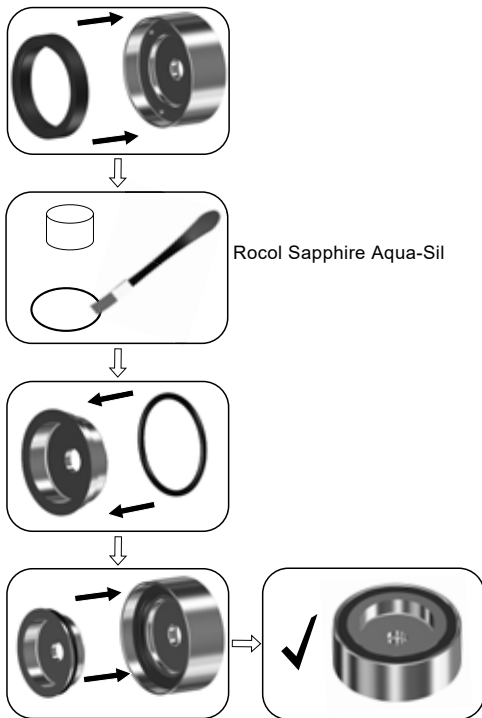
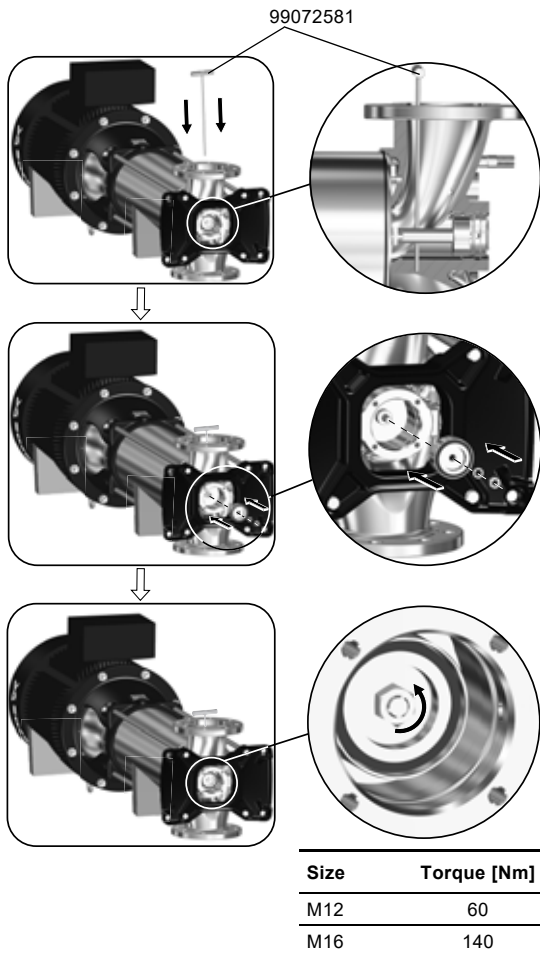


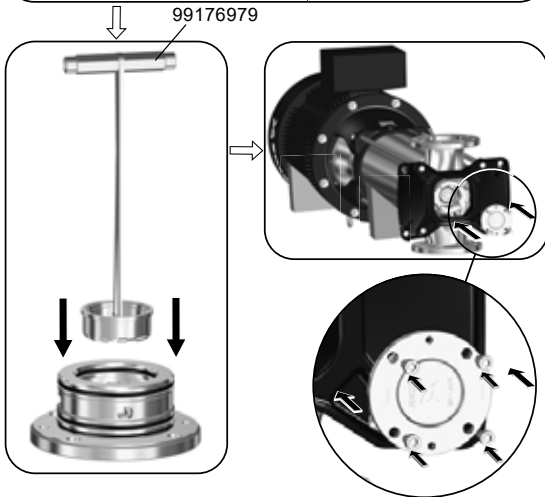
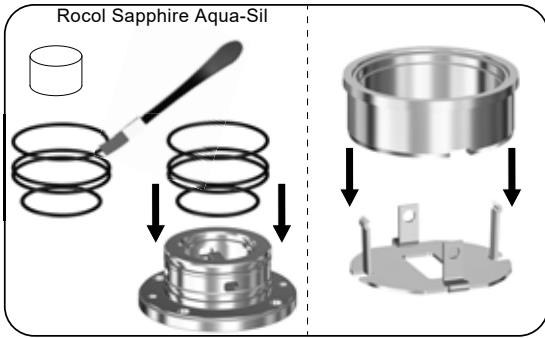
Fig. 5



Size	Torque [Nm]
M12	60
M16	140

TM07 1652 2118

Fig. 6



Size	Torque [Nm]
M8	22
M10	43

Fig. 7



Fig. 8

TM07 0870 1418

Argentina

Bombas GRUNDFOS de
Argentina S.A.
Phone: +54-3327 414 444
Telefax: +54-3327 411 111

Australia

GRUNDFOS Pumps Pty. Ltd.
Phone: +61-8-8461-4611
Telefax: +61-8-8340 0155

Austria

GRUNDFOS Pumpen
Vertrieb Ges.m.b.H.
Tel.: +43-6246-883-0
Telefax: +43-6246-883-30

Belgium

N.V. GRUNDFOS Bellux S.A.
Tél.: +32-3-870 7300
Télécopie: +32-3-870 7301

Belarus

Представительство
ГРУНДФОС в Минске
Тел.: +375 17 397 397 3
+375 17 397 397 4
Факс: +375 17 397 397 1

**Bosnia and
Herzegovina**

GRUNDFOS Sarajevo
Phone: +387 33 592 480
Telefax: +387 33 590 465
www.ba.grundfos.com
email: grundfos@bih.net.ba

Brazil

BOMBAS GRUNDFOS DO
BRASIL
Phone: +55-11 4393 5533
Telefax: +55-11 4343 5015

Bulgaria

Grundfos Bulgaria EOOD
Tel. +359 2 49 22 200
Fax. +359 2 49 22 201

Canada

GRUNDFOS Canada Inc.
Phone: +1-905 829 9533
Telefax: +1-905 829 9512

China

GRUNDFOS Pumps
(Shanghai) Co. Ltd.
Phone: +86-021-612 252 22
Telefax: +86-021-612 253 33

COLOMBIA

GRUNDFOS Colombia
S.A.S.
Phone: +57(1)-2913444
Telefax: +57(1)-8764586

Croatia

GRUNDFOS CROATIA
d.o.o.
Phone: +385 1 6595 400
Telefax: +385 1 6595 499

GRUNDFOS Sales

**Czechia and
Slovakia s.r.o.**
Phone: +420-585-716 111

Denmark

GRUNDFOS DK A/S
Tlf.: +45-87 50 50 50
E-mail:
info_GDK@grundfos.com
www.grundfos.com/DK

Estonia

GRUNDFOS Pumps Eesti
OÜ
Tel: + 372 606 1690
Fax: + 372 606 1691

Finland

OY GRUNDFOS Pumput AB
Phone: +358-(0)207 889 500

France

Pompes GRUNDFOS
Distribution S.A.
Tél.: +33-4 74 82 15 15
Télécopie: +33-4 74 94 10 51

Germany

GRUNDFOS GMBH
Tel.: +49-(0) 211 929 69-0
e-mail:
infoservice@grundfos.de
Service in Deutschland:
e-mail:
kundendienst@grundfos.de

Greece

GRUNDFOS Hellas
A.E.B.E.
Phone: +0030-210-66 83
400
Telefax: +0030-210-66 46
273

Hong Kong

GRUNDFOS Pumps (Hong
Kong) Ltd.
Phone:
+852-27861706/27861741
Telefax: +852-27858664

Hungary

GRUNDFOS Hungária Kft.
Phone: +36-23 511 110
Telefax: +36-23 511 111

India

GRUNDFOS Pumps India
Private Limited
Phone: +91-44 4596 6800

Indonesia

PT GRUNDFOS Pompa
Phone: +62 21-469 51900
Telefax: +62-21-460
6910/460 6901

Ireland

GRUNDFOS (Ireland) Ltd.
Phone: +353-1-4089 800
Telefax: +353-1-4089 830

Italy

GRUNDFOS Pompe Italia
S.r.l.
Tel.: +39-02-95838112
Telefax:
+39-02-95309290/95838461

Japan

GRUNDFOS Pumps K.K.
Phone: +81 53 428 4760
Telefax: +81 53 428 5005

Korea

GRUNDFOS Pumps Korea
Ltd.
Phone: +82-2-5317 600
Telefax: +82-2-5633 725

Latvia

SIA GRUNDFOS Pumps
Latvia
Tālr.: + 371 714 9640, 7 149
641
Fakss: + 371 914 9646

Lithuania

GRUNDFOS Pumps UAB
Tel: + 370 52 395 430
Fax: + 370 52 395 431

Malaysia

GRUNDFOS Pumps Sdn.
Bhd.
Phone: +60-3-5569 2922
Telefax: +60-3-5569 2866

Mexico

Bombas GRUNDFOS de
México S.A. de C.V.
Phone: +52-81-8144 4000
Telefax: +52-81-8144 4010

Netherlands

GRUNDFOS Netherlands
Tel.: +31-88-478 6336
Telefax: +31-88-478 6332 s

New Zealand

GRUNDFOS Pumps NZ Ltd.
Phone: +64-9-415 3240
Telefax: +64-9-415 3250

Norway

GRUNDFOS Pumper A/S
Tlf.: +47-22 90 47 00
Telefax: +47-22 32 21 50

Poland

GRUNDFOS Pompy Sp. z
o.o.
Tel: (+48-61) 650 13 00
Fax: (+48-61) 650 13 50

Portugal

Bombas GRUNDFOS
Portugal, S.A.
Tel.: +351-21-440 76 00
Telefax: +351-21-440 76 90

Romania

GRUNDFOS Pompe
România SRL
Phone: +40 21 200 4100
E-mail:
romania@grundfos.ro

Russia

ООО Грундфос Россия
Тел. (+7) 495 737 30 00,
564 88 00
E-mail
grundfos.moscow@grundfo
s.com

Serbia

Grundfos Srbija d.o.o.
Phone: +381 11 2258 740
Telefax: +381 11 2281 769

Singapore

GRUNDFOS (Singapore)
Pte. Ltd.
Phone: +65-6681 9688
Telefax: +65-6681 9689

Slovakia

GRUNDFOS s.r.o.
Phona: +421 2 5020 1426

Slovenia

GRUNDFOS LJUBLJANA,
d.o.o.
Phone: +386 (0) 1 568 06
10
Telefax: +386 (0) 1 568 06
19

South Africa

GRUNDFOS (PTY) LTD
Phone: (+27) 10 248 6000
Fax: (+27) 10 248 6002
E-mail:
lgradidge@grundfos.com

Spain

Bombas GRUNDFOS
España S.A.
Tel.: +34-91-848 8800
Telefax: +34-91-628 0465

Sweden

GRUNDFOS AB
Tel.: +46(0)771-32 23 00
Telefax: +46(0)31-331 94 60

Switzerland

GRUNDFOS Pumpen AG
Tel.: +41-44-806 8111
Telefax: +41-44-806 8115

Taiwan

GRUNDFOS Pumps
(Taiwan) Ltd.
Phone: +886-4-2305 0868
Telefax: +886-4-2305 0878

Thailand

GRUNDFOS (Thailand) Ltd.
Phone: +66-2-725 8999
Telefax: +66-2-725 8998

Turkey

GRUNDFOS POMPA San.
ve Tic. Ltd. Sti.
Phone: +90 - 262-679 7979
Telefax: +90 - 262-679 7905
E-mail: satis@grundfos.com

Ukraine

Бізнес Центр Європа
Телефон: (+38 044) 237 04
00
Факс.: (+38 044) 237 04 01

United Arab Emirates

GRUNDFOS Gulf
Distribution
Phone: +971-4- 8815 166
Telefax: +971-4-8815 136

United Kingdom

GRUNDFOS Pumps Ltd.
Phone: +44-1525-850000
Telefax: +44-1525-850011

U.S.A.

GRUNDFOS Pumps
Corporation
Phone: +1-913-227-3400
Telefax: +1-913-227-3500

Uzbekistan

Grundfos Tashkent,
Uzbekistan The
Representative Office of
Grundfos Kazakhstan in
Uzbekistan
Телефон: (+998) 71 150
3290 / 71 150 3291
Факс: (+998) 71 150 3292

Addresses revised
31.03.2020

be think innovate

99171396 0420

ECM: 1283757

© 2020 Grundfos Holding A/S,
all rights reserved.

Trademarks displayed in this material, including but not limited to Grundfos, the Grundfos logo and "be think innovate" are registered trademarks owned by The Grundfos Group. All rights reserved.

www.grundfos.com

GRUNDFOS 