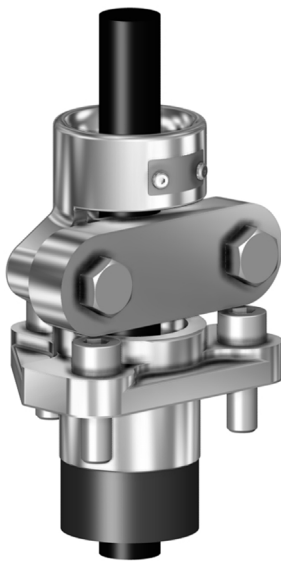


Cable entry



TM06 7597 3716

Applications

Cable entries are intended for use in medium and large size submersible wastewater pumps with Grundfos approved unarmoured rubber cables. For different sizes of cables there are eight different cable entry sizes.

Technical data

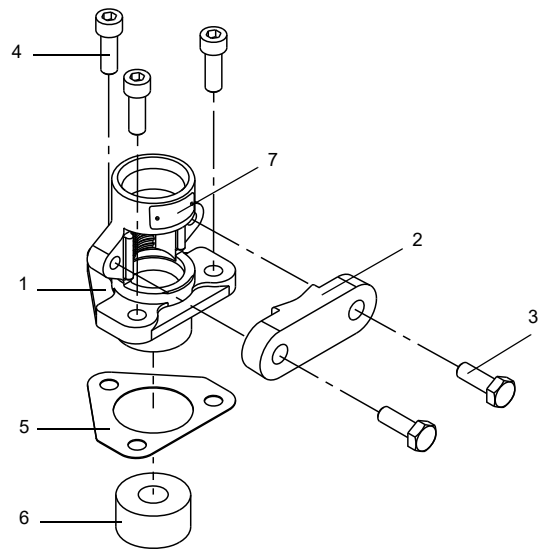
Enclosure class	IP68
Maximum installation depth	20 m

Do not use special Ex cable entries in enclosures where the temperature at the point of contact is outside of the temperature range -5 to +80 °C.

Approval and certificates

Approval	Certificate no.	Protection type
ATEX	Baseefa 17ATEX0013U	Ex db IIB Gb
IECEX	BAS 17.0007U	
FMus	FM19US0233U	Class I, Div. 1, Groups C, D
FMus	FM19US0233U	Class I, Zone 1, AEx db IIB Gb
cFM	FM19CA0126U	Class I, Div. 1, Groups C, D
cFM	FM19CA0126U	Ex db IIB Gb

Exploded view



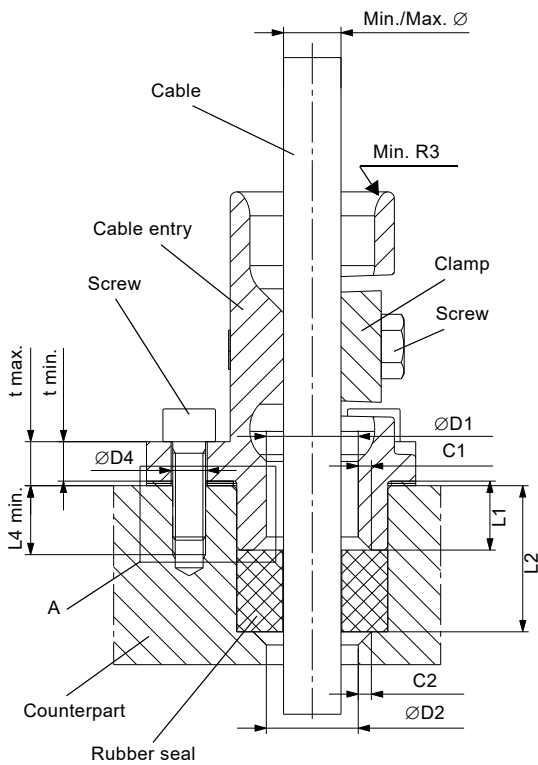
TM06 7598 3716

Materials

Pos.	Component	Material
1	Cable entry	GJS-500 / EN 1.4408
2	Cable clamp	GJS-500 / EN 1.4408
3	Screw	A2-80 or A4-80
4	Screw	A2-80 or A4-80
5	Spacer	AISI 316
6	Rubber seal	RG 6511 HNBR 70
7	Approval plate	AISI 316

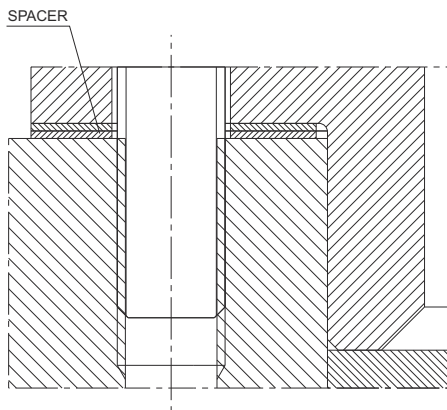
The materials contain less than 7.5 % by mass of magnesium, titanium and zirconium in total.

Sectional view of cable entry



TM06 8824 1217

A:



TM07 6574 2120

Screw connection requirements:

- screw class A4-80 or A2-80
- coarse thread pitch according to ISO 262 with tolerance of 6g/6H according to ISO 965-1 and ISO 965-3
- screw heads according to ISO 4014, 4017 and 4762
- hole D4 diameter tolerance H13 according to ISO 286-2.

ID	Body [mm]			Screws		Thread [mm]	Clamp screws	
	t max.	t min.	ØD4	Size	Qty.	L4 min.	Size	Qty.
36	8	21	7	M6 × 30	3	23	M8 × 40	2
46	11	16	11	M10 × 30	3	21	M10 × 40	2
65	16	25	11	M10 × 40	3	26	M10 × 40	2
80	16	25	11	M10 × 40	3	26	M10 × 45	2
100	21	28	18	M16 × 50	3	31	M12 × 60	2

Installation dimensions for cable entry alternatives

ID	Cable [mm]		Uncompressed rubber seal [mm]			Body [mm]			Counterpart [mm]			Spacer [mm]	Clamp fixing torque (Nm)	Cable gland fixing torque (Nm)
	Ø min.	Ø max.	Ø out (nom.)	Ø in (nom.)	Height (nom.)	ØD1 (nom.)	C1 (nom.)	L1 (nom.)	ØD2 (nom.)	C2 (nom.)	L2 (nom.)	Qty × S [mm]		
36-1	14.4	15.4	35.0	18.0	20.2	22.0	3 × 45	17.7	24.0	3 × 45	28.5	-	20±1	8,8±2
	15.4	16.4										1 × 0.7		
	17.2	17.5										-		
36-2	17.5	18.8	35.0	20.5	20.2	26.0	3 × 45	18.4	26.0	3 × 45	28.5	1 × 0.7	20±1	8,8±2
	18.8	20.0										3 × 0.7		
	-	-										-		
46-1	15.7	17.2	45.0	18.0	23.7	24.0	4 × 45	24.9	32.0	4 × 45	41.0	-	14±1	42±10
	17.8	18.5										-		
46-2	18.5	19.2	45.0	21.0	24.7	24.0	4 × 45	24.9	32.0	4 × 45	41.0	1 × 0.7	14±1	42±10
	19.2	20.0										2 × 0.7		
	20.9	21.5										-		
46-3	21.5	22.4	45.0	24.0	25.9	32.0	4 × 45	25.5	32.0	4 × 45	41.0	1 × 0.7	14±1	42±10
	22.4	23.4										3 × 0.7		
	23.8	24.6										-		
46-4	24.6	26.0	44.6	27.6	27.0	32.0	4 × 45	25.5	32.0	4 × 45	41.0	2 × 0.7	14±1	42±10
	26.0	27.0										5 × 0.7		
	-	-										-		
65-1	28.3	31.4	64.0	34.0	25.7	37.0	5 × 45	32.4	44.0	5 × 45	47.0	-	14±1	42±10
65-2	32.5	33.6	64.0	37.0	25.2	37.0	5 × 45	32.4	44.0	5 × 45	47.0	2 × 0.7	14±1	42±10
	33.6	34.7										3 × 0.7		
80-1	37.7	39.7	79.0	42.0	28.0	55.0	5 × 45	31.6	60.0	5 × 45	46.8	-	14±1	42±10
	39.7	41.7										3 × 0.7		
80-2	42.7	44.4	79.0	46.0	27.3	55.0	5 × 45	31.6	60.0	5 × 45	46.8	1 × 0.7	14±1	42±10
	44.4	45.4										3 × 0.7		
	48.4	49.4										-		
80-3	49.8	50.9	79.0	52.0	25.4	55.0	5 × 45	31.6	60.0	5 × 45	46.8	1 × 0.7	14±1	42±10
	50.9	51.8										3 × 0.7		
100-1	53.0	56.5	98.8	57.0	29.0	70.0	6 × 45	31.2	75.0	6 × 45	45.6	-	27±1	175±15
100-2	58.0	59.7	98.8	64.0	30.0	70.0	6 × 45	31.2	75.0	6 × 45	45.6	-	27±1	175±15
	59.7	61.3										4 × 0.7		
	61.3	63.0										8 × 0.7		
100-3	64.0	66.5	98.8	69.8	30.0	75.0	6 × 45	31.8	80.0	6 × 45	48.1	-	27±1	175±15
	66.5	68.0										3 × 0.7		
	68.0	69.0										6 × 0.7		

For more cable entry information, see drawing 99055116. Drawing is available on request.

Product numbers

The cable entry is built into the pump from factory.
Contact Grundfos for further information.

Example: ID 36-1

Code key:

- 36 = Diameter of hole in motor top cover [mm]
- 1 = Cable entry version:
 - 1 for cable diameter between 14.4 and 16.4 mm

Service kits for fitting in the field:

- 99174565: Service kit for cable entry ID 36-1
- 99174566: Service kit for cable entry ID 36-2
- 99174567: Service kit for cable entry ID 46-1
- 99174568: Service kit for cable entry ID 46-2
- 99174569: Service kit for cable entry ID 46-3
- 99174570: Service kit for cable entry ID 46-4
- 99174571: Service kit for cable entry ID 65-1
- 99174572: Service kit for cable entry ID 65-2
- 99174573: Service kit for cable entry ID 80-1
- 99174574: Service kit for cable entry ID 80-2
- 99174575: Service kit for cable entry ID 80-3
- 99174576: Service kit for cable entry ID 100-1
- 99174577: Service kit for cable entry ID 100-2
- 99174578: Service kit for cable entry ID 100-3.

Contact Grundfos for stainless steel versions.

99130659: Service kit instructions for cable replacement.

99157528 08.2020

ECM: 1293882
