

MTA

Installation and operating instructions



English (GB)	
Installation and operating instructions	3
Čeština (CZ)	
Montážní a provozní návod	11
Deutsch (DE)	
Montage- und Betriebsanleitung	19
Español (ES)	
Instrucciones de instalación y funcionamiento	27
Français (FR)	
Notice d'installation et de fonctionnement	35
Italiano (IT)	
Istruzioni di installazione e funzionamento	43
Polski (PL)	
Instrukcja montażu i eksploatacji	51
Русский (RU)	
Паспорт, Руководство по монтажу и эксплуатации	59
Appendix	68
Declaration of conformity	69
Declaration of conformity	70

Original installation and operating instructions.

CONTENTS

	Page
1. Symbols used in this document	3
2. Applications	3
2.1 Pumped liquids	3
3. Identification	4
3.1 Nameplate	4
3.2 Type key	4
4. Technical data	4
4.1 Sound pressure level	5
4.2 Vibration level	5
5. Installation	5
5.1 Pump position	5
5.2 Dimensions	6
5.3 Liquid level	7
6. Electrical connection	8
7. Startup	9
8. Operation and maintenance	9
8.1 Lubrication and maintenance	9
8.2 Filters	9
8.3 Periodic checks	9
9. Service	9
10. Fault finding	10
11. Disposal	10

1. Symbols used in this document



Warning

If these safety instructions are not observed, it may result in personal injury.



Caution

If these safety instructions are not observed, it may result in malfunction or damage to the equipment.



Note Notes or instructions that make the job easier and ensure safe operation.

2. Applications

The Grundfos pump, type MTA, is a single-stage centrifugal pump designed for the pumping of cooling lubricants and cutting oil for machine tools.

2.1 Pumped liquids

Pump	Max. particle size [mm]
MTA 30	4-5
MTA 60	
MTA 90	8-10
MTA 120	
MTA 200	
MTA 20H	4-5
MTA 40H	
MTA 70H	
MTA 100H	
Max. kinematic viscosity [mm ² /s] (= cSt) 90	
Permissible liquid temperature [°C] 0 to +60	



Warning

The pump must not be used for the transfer of inflammable liquids such as diesel oil, petrol or similar liquids.



Warning

Prior to installation, read these installation and operating instructions. Installation and operation must comply with local regulations and accepted codes of good practice.

3. Identification

3.1 Nameplate

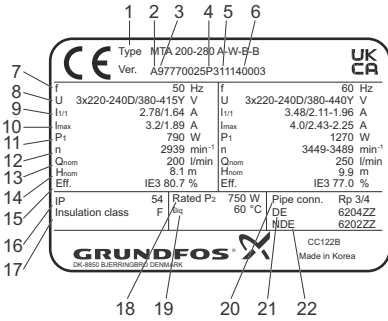


Fig. 1 Example of nameplate

Pos.	Designation
1	Type designation (see type key)
2	Model
3	Product number
4	Place of production
5	Production year and week (YYWW)
6	Serial number
7	Frequency
8	Supply voltage
9	Full-load current
10	Max. current
11	Motor input power
12	Rated speed
13	Rated flow
14	Rated head
15	Efficiency class (only applies to MTA 200)
16	Motor enclosure class
17	Motor insulation class
18	Rated P2
19	Max. temperature of pumped liquid
20	Pipe connection
21	Motor drive-end bearing
22	Motor non-drive-end bearing

3.2 Type key

Example MTA 30 H -150 -A -W -A -T

Pump type	MTA 30
Pump size	H
Pressure type	-150
Installation length [mm]	-A
Pump version:	-W
A = Standard version	
Thread type:	-A
W = Internal thread	
B = Internal NPT thread	
Impeller material:	-T
A = PAA GF50	
B = Bronze	

4. Technical data

Max. permissible ambient temperature [°C]	+40
Permissible storage temperature [°C]	-50 to +70
Enclosure class according to IEC 60034-5	IP54
Motor insulation class	F
Max voltage fluctuation according to IEC 60034	± 10 %
Recommended maximum number of starts per hour for all MTA pumps	250

Note Pay attention to condensation problems in humid areas.

TM05 1938 0421

4.1 Sound pressure level

Pump	Rated P2 [W]	L _{pA} [dB(A)]	
		50 Hz	60 Hz
MTA 30	100	< 45	< 45
MTA 60	180	< 45	< 45
MTA 90	250	< 45	< 45
MTA 120	400	< 62	< 62
MTA 200	750	< 62	< 62
MTA 20H	100	< 45	< 45
MTA 40H	180	< 45	< 45
MTA 70H	250	< 45	< 45
MTA 100H	400	< 62	< 62

4.2 Vibration level

Vibration velocity RMS [mm/s]*	< 1.8
--------------------------------	-------

* Vibration according to ISO 10816-1 class IB

5. Installation



Warning

The pump must be installed so that persons cannot accidentally come into contact with the hot surface of the motor.



Warning

The pump must be installed so that persons cannot accidentally come into contact with the rotating parts.

5.1 Pump position

Note The MTA pumps can only be mounted in vertical position.

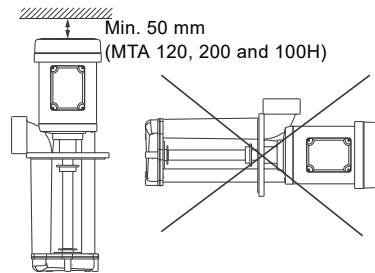


Fig. 2 Mounting position

The pump is designed for tank mounting in vertical position. The pump is positioned in a hole cut into the cover of the tank (upper side) and is secured to the tank by four or two hexagon head screws through the holes in the mounting flange. We recommend to fit a sealing gasket between the pump flange and tank.

Provide a clearance of minimum 50 mm above the motor to ensure cooling of fan-cooled motors (MTA 120, 200 and 100H).

The pump is designed for indoor operation only.

Caution The motor must not be exposed to direct water/liquid sprays.

TM05 1690 4411

5.2 Dimensions

5.2.1 Installation dimensions

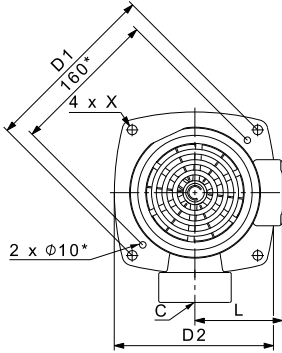


Fig. 3 Installation dimensions

* applies only to MTA 120

Pump	C	D1 [mm]	D2 [mm]	L [mm]	X [mm]
MTA 30	Rp 3/8 / G 1/2 / 1/2" NPT	132	116	100	Ø7
MTA 60	Rp 1/2 / G 3/4 / 3/4" NPT	160	143	112.5	Ø10
MTA 90	Rp 3/4 / G 3/4 / 3/4" NPT	160	154	112.5	Ø10
MTA 120	Rp 1 / G 1 1/4 / 1 1/4" NPT	180	155	126.5	Ø10
MTA 200	Rp 2 / G 1 1/2 / 1 1/2" NPT	220	200	134.5	Ø12
MTA 20H	Rp 3/8 / G 1/2 / 1/2" NPT	132	116	100	Ø7
MTA 40H	Rp 1/2 / G 3/4 / 3/4" NPT	160	143	112.5	Ø10
MTA 70H	Rp 3/4 / G 3/4 / 3/4" NPT	160	154	112.5	Ø10
MTA 100H	Rp 1 / G 1 / 1" NPT	180	175	124	Ø10

TM04 7991 1411

5.2.2 Tank hole and cable entry

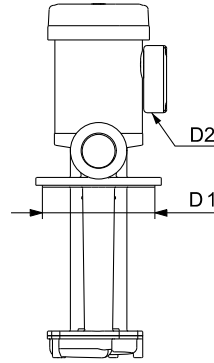


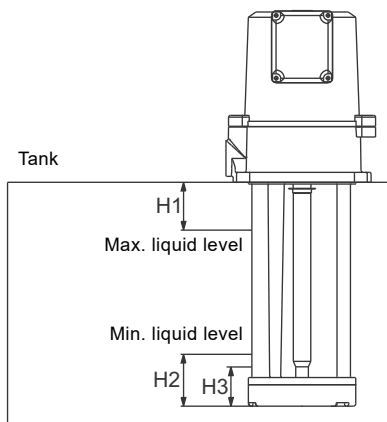
Fig. 4 Tank hole and cable entry

TM05.0632 1311

Pump	Tank hole	Cable entry hole
	D1 [mm]	D2 [mm]
MTA 30	Ø90	Ø22
MTA 60	Ø115	Ø22
MTA 90	Ø128	Ø22
MTA 120	Ø135	Ø22
MTA 200	Ø180	Ø22
MTA 20H	Ø100	Ø22
MTA 40H	Ø135	Ø22
MTA 70H	Ø135	Ø22
MTA 100H	Ø155	Ø22

5.3 Liquid level

5.3.1 MTA with top suction



TM04 7992 4211

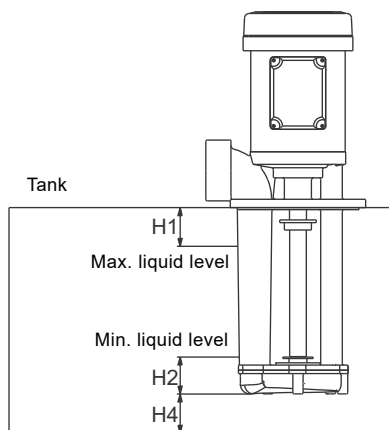
Fig. 5 MTA with top suction

Pump	H1 [mm]	H2* [mm]	H3** [mm]
MTA 30	15	60	50
MTA 60	20	70	45
MTA 90	20	85	58
MTA 120	20	110	70
MTA 20H	15	50	40
MTA 40H	20	70	40
MTA 70H	20	80	50
MTA 100H	20	110	60

* Min. liquid level (full performance).

** Min. permissible liquid level (reduced performance).

5.3.2 MTA with bottom suction



TM04 7993 4211

Fig. 6 MTA with bottom suction

Pump	H1 [mm]	H2* [mm]	H4 [mm]
MTA 30	15	20	10
MTA 60	20	20	10
MTA 90	20	25	15
MTA 120	20	25	20
MTA 200	25	50	30

* Min. liquid level (full performance).

6. Electrical connection

The electrical connection should be carried out in accordance with local regulations.



Warning

Never make any connections in the pump terminal box unless the power supply has been switched off.

The operating voltage and frequency are marked on the pump nameplate. Make sure that the motor is suitable for the power supply on which it will be used.

The motor must be connected to a motor-protective circuit breaker.

We do not recommend operation via frequency converter.

Terminal box positions

The terminal box can be turned to another position.

Pump	Terminal box positions	
	9 o'clock (standard)	3 o'clock
MTA 30	•	•
MTA 60	•	•
MTA 90	•	•
MTA 120	•	(•)
MTA 200	•	(•)
MTA 20H	•	•
MTA 40H	•	•
MTA 70H	•	•
MTA 100H	•	(•)

- The terminal box can be turned to another position after delivery.
- (•) The terminal box cannot be turned to another position after delivery. The pump must be ordered with the terminal box in position 3 o'clock.

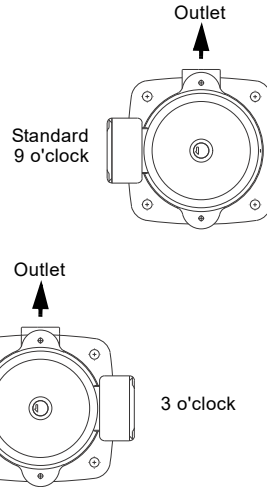


Fig. 7 Terminal box positions (top view)

Proceed as follows:

1. Remove the bolts securing the motor to the pump.
2. Turn the motor to the required position.
3. Refit and tighten the bolts securing the motor to the pump.

The electric motor should be connected to the supply as shown in the diagram inside the terminal box cover.

7. Startup

The pump can be started against an open or a closed discharge valve.

Before starting the pump:

- Make sure that all pipe connections are tight.
- Make sure that the pump is immersed to the recommended level.
- Make sure that chip trays are not blocked by impurities.

Start the pump as follows:

1. See the correct direction of rotation of the pump on the motor fan cover or on the sight glass. When seen from the top, the pump should rotate *counter-clockwise*.
2. Start the pump and check the direction of rotation.

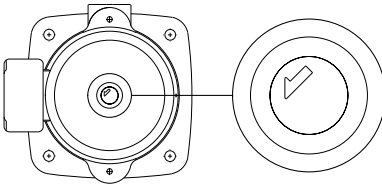


Fig. 8 Sight glass with indication of the correct direction of rotation

TM04 8003 2610

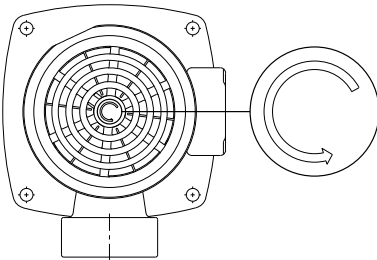


Fig. 9 Motor fan cover with indication of the correct direction of rotation

TM04 8004 2610

8. Operation and maintenance

8.1 Lubrication and maintenance

Pumps installed in accordance with these instructions require very little maintenance.

The motor ball bearings are grease-packed and sealed for life. No further lubrication is necessary.

8.2 Filters

Chip trays, filters, etc. should be cleaned at regular intervals to ensure a correct flow of liquid. This will also increase the pump life.

8.3 Periodic checks

Make the following checks at regular intervals, depending on the conditions and time of operation.

- Check the quantity of liquid and operating pressure.
- Check that there are no leaks.
- Check that the motor is not overheating.
- Check the tripping of the motor-protective circuit breaker.
- Check that all control devices are operating satisfactorily.

If the above checks do not reveal any abnormal operating details, no further checks are necessary.

Should any faults be found, see section [10. Fault finding](#).

9. Service

Warning



If a pump has been used for pumping liquids which are injurious to human health or poisonous, it will be classified as contaminated.

A contaminated pump must not be sent to Grundfos for service until Grundfos has received all necessary details about the pumped liquid, etc. Otherwise Grundfos can refuse to accept the pump for service. Costs of returning the pump are to be paid by the customer.

10. Fault finding



Warning

Before starting work on the pump, make sure that the power supply has been switched off and that it cannot be accidentally switched on.

Fault	Cause	Remedy
1. Motor does not run when power supply is switched on.	a) Supply failure.	Connect the power supply.
	b) Fuses are blown.	Replace fuses.
	c) Motor-protective circuit breaker has tripped out.	Reactivate the motor protection.
	d) Main contacts in motor-protective circuit breaker are not making contact or the coil is faulty.	Replace contacts or magnetic coil.
	e) Control circuit is defective.	Repair the control circuit.
	f) Motor is defective.	Replace the pump.
2. Motor-protective circuit breaker trips out immediately when power supply is switched on.	a) Fuse on one phase is blown.	Replace fuse.
	b) Contacts in motor-protective circuit breaker are faulty.	Replace contacts in motor-protective circuit breaker.
	c) Cable connection is loose or faulty.	Fasten or replace the cable connection.
	d) Motor winding is defective.	Replace the pump.
	e) Pump mechanically blocked.	Remove the mechanical blocking of the pump.
	f) Overload setting is too low.	Set the motor-protective circuit breaker correctly.
3. Motor-protective circuit breaker trips out occasionally.	a) Overload setting is too low.	Set the motor-protective circuit breaker correctly.
	b) Low voltage at peak times.	Check the power supply.
4. Motor-protective circuit breaker has not tripped out but the pump does not run.	a) Check 1 a), b), d) and e).	
5. Pump runs but gives no liquid or pump capacity is not constant.	a) Pump inlet partly blocked by impurities.	Clean the inlet.
	b) Liquid level in tank too low.	Increase the liquid level.
	c) Pump rotates in the wrong direction.	Change the direction of rotation of the motor by switching any two of the phases.

11. Disposal

This product or parts of it must be disposed of in an environmentally sound way:

1. Use the public or private waste collection service.
2. If this is not possible, contact the nearest Grundfos company or service workshop.

Safety declaration

Please copy, fill in and sign this sheet and attach it to the pump returned for service.

Medium and application

Which medium has the pump been used for: _____

In which application has the pump been used: _____

Fault description

If possible please make a circle around the faulty part.
(In case of an electrical fault, please mark the terminal box.)



Please give a short description of the fault:

We hereby declare that this product is free from hazardous chemicals, biological and radioactive substances.

Date and signature

Company stamp

Declaration of conformity

GB: EC/EU declaration of conformity

We, Grundfos, declare under our sole responsibility that the product MTA, to which the declaration below relates, is in conformity with the Council Directives listed below on the approximation of the laws of the EC/EU member states.

DE: EG-/EU-Konformitätserklärung

Wir, Grundfos, erklären in alleiniger Verantwortung, dass das Produkt MTA, auf das sich diese Erklärung bezieht, mit den folgenden Richtlinien des Rates zur Angleichung der Rechtsvorschriften der EG-/EU-Mitgliedsstaaten übereinstimmt.

FR: Déclaration de conformité CE/UE

Nous, Grundfos, déclarons sous notre seule responsabilité, que le produit MTA, auquel se réfère cette déclaration, est conforme aux Directives du Conseil concernant le rapprochement des législations des États membres CE/UE relatives aux normes énoncées ci-dessous.

PL: Deklaracja zgodności WE/UE

My, Grundfos, oświadczamy z pełną odpowiedzialnością, że nasz produkt MTA, którego deklaracja niniejsza dotyczy, jest zgodny z następującymi dyrektywami Rady w sprawie zbliżenia przepisów prawnych państw członkowskich.

CZ: Prohlášení o shodě EU

My firma Grundfos prohlašujeme na svou plnou odpovědnost, že výrobek MTA, na který se toto prohlášení vztahuje, je v souladu s níže uvedenými ustanoveními směrnice Rady pro sblížení právních předpisů členských států Evropského společenství.

ES: Declaración de conformidad de la CE/UE

Grundfos declara, bajo su exclusiva responsabilidad, que el producto MTA al que hace referencia la siguiente declaración cumple lo establecido por las siguientes Directivas del Consejo sobre la aproximación de las legislaciones de los Estados miembros de la CE/UE.

IT: Dichiarazione di conformità CE/UE

Grundfos dichiara sotto la sua esclusiva responsabilità che il prodotto MTA, al quale si riferisce questa dichiarazione, è conforme alle seguenti direttive del Consiglio riguardanti il riavvicinamento delle legislazioni degli Stati membri CE/UE.

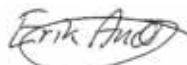
RU: Декларация о соответствии нормам ЕЭС/ЕС

Мы, компания Grundfos, со всей ответственностью заявляем, что изделия MTA, к которым относится нижеприведённая декларация, соответствуют нижеприведённым Директивам Совета Евросоюза о тождественности законов стран-членов ЕЭС/ЕС.

- Machinery Directive (2006/42/EC).
Standard used: EN 809:1998, A1:2009.
- Electric motors:
Commission Regulation No 640/2009.
Applies only to three-phase Grundfos motors marked IE2 or IE3.
See motor nameplate.
Standard used: EN 60034-30:2009.
- RoHS Directives: (2011/65/EU and 2015/863/EU)
Standard used: EN IEC 63000:2018

This EC/EU declaration of conformity is only valid when published as part of the Grundfos installation and operating instructions (98061021).

Bjerringbro, 5th of January 2021



Erik Andersen
Senior Manager
GRUNDFOS Holding A/S
Poul Due Jensens Vej 7
8850 Bjerringbro, Denmark

Person authorised to compile the technical file and empowered to sign the EC/EU declaration of conformity

Declaration of conformity

UK declaration of conformity

We, Grundfos, declare under our sole responsibility that the products **MTA** and **MTD** to which the declaration below relates, are in conformity with UK regulations, standards and specifications to which conformity is declared, as listed below:

- Supply of Machinery (Safety) Regulations 2008
Standard used: EN 809:1998, A1:2009.
- Electric motors:
Regulation (EC) No 640/2009 and Regulation (EU) No 4/2014
Applies only to three-phase Grundfos motors marked IE2 or IE3.
See motor nameplate.
Standard used: EN 60034-30-1:2009.
- The Restriction of the Use of Certain Hazardous Substances in Electrical and Electronic Equipment Regulations 2019
Standard used: EN IEC 63000:2018

This UK declaration of conformity is only valid when published as part of the Grundfos installation and operating instructions.

UK Importer: Grundfos Pumps Ltd. Grovebury Road, Leighton Buzzard, LU7 4TL.

Bjerringbro, January 1, 2021



Erik Andersen
Senior Manager
Grundfos Holding A/S
Poul Due Jensens Vej 7
8850 Bjerringbro, Denmark

Person authorised to compile technical file and empowered to sign the UK declaration of conformity

10000335763

Argentina

Bombas GRUNDFOS de Argentina S.A.
Ruta Panamericana km. 37.500 Centro
Industrial Garin
1619 Garin Pcia. de B.A.
Phone: +54-3327 414 444
Telefax: +54-3327 45 3190

Australia

GRUNDFOS Pumps Pty. Ltd.
P.O. Box 2040
Regency Park
South Australia 5942
Phone: +61-8-8461-4611
Telefax: +61-8-8340 0155

Austria

GRUNDFOS Pumpen Vertrieb
Ges.m.b.H.
Grundfosstraße 2
A-5082 Grödig/Salzburg
Tel.: +43-6246-883-0
Telefax: +43-6246-883-30

Belgium

N.V. GRUNDFOS Bellux S.A.
Boomsesteenweg 81-83
B-2630 Aartselaar
Tél.: +32-3-870 7300
Télécopie: +32-3-870 7301

Belarus

Представительство ГРУНДФОС в
Минске
220125, Минск
ул. Шафарнянская, 11, оф. 56, БЦ
«Порт»
Тел.: +375 17 397 397 3
+375 17 397 397 4
Факс: +375 17 397 397 1
E-mail: minsk@grundfos.com

Bosnia and Herzegovina

GRUNDFOS Sarajevo
Zmaja od Bosne 7-7A,
BH-71000 Sarajevo
Phone: +387 33 592 480
Telefax: +387 33 590 465
www.ba.grundfos.com
e-mail: grundfos@bih.net.ba

Brazil

BOMBAS GRUNDFOS DO BRASIL
Av. Humberto de Alencar Castelo
Branco, 630
CEP 09850 - 300
São Bernardo do Campo - SP
Phone: +55-11 4393 5533
Telefax: +55-11 4343 5015

Bulgaria

Grundfos Bulgaria EOOD
Slatina District
Iztochna Tangenta street no. 100
BG - 1592 Sofia
Tel. +359 2 49 22 200
Fax. +359 2 49 22 201
email: bulgaria@grundfos.bg

Canada

GRUNDFOS Canada Inc.
2941 Brighton Road
Oakville, Ontario
L6H 6C9
Phone: +1-905 829 9533
Telefax: +1-905 829 9512

China

GRUNDFOS Pumps (Shanghai) Co. Ltd.
10F The Hub, No. 33 Suhong Road
Minhang District
Shanghai 201106
PRC
Phone: +86 21 612 252 22
Telefax: +86 21 612 253 33

COLOMBIA

GRUNDFOS Colombia S.A.S.
Km 1.5 vía Siberia-Cota Conj. Potrero
Chico,
Parque Empresarial Arcos de Cota Bod.
1A.
Cota, Cundinamarca
Phone: +57(1)-2913444
Telefax: +57(1)-8764586

Croatia

GRUNDFOS CROATIA d.o.o.
Buzinski prilaz 38, Buzin
HR-10010 Zagreb
Phone: +385 1 6595 400
Telefax: +385 1 6595 499
www.hr.grundfos.com

GRUNDFOS Sales Czechia and Slovakia s.r.o.

Čajkovského 21
779 00 Olomouc
Phone: +420-585-716 111

Denmark

GRUNDFOS DK A/S
Martin Bachs Vej 3
DK-8850 Bjerringbro
Tlf.: +45-87 50 50 50
Telefax: +45-87 50 51 51
E-mail: info_GDK@grundfos.com
www.grundfos.com/DK

Estonia

GRUNDFOS Pumps Eesti OÜ
Peterburi tee 92G
11415 Tallinn
Tel: + 372 606 1690
Fax: + 372 606 1691

Finland

OY GRUNDFOS Pumput AB
Trukkikuja 1
FI-01360 Vantaa
Phone: +358-(0) 207 889 500

France

Pompes GRUNDFOS Distribution S.A.
Parc d'Activités de Chesnes
57, rue de Malacombe
F-38290 St. Quentin Fallavier (Lyon)
Tél.: +33-4 74 82 15 15
Télécopie: +33-4 74 94 10 51

Germany

GRUNDFOS GMBH
Schlüterstr. 33
40699 Erkrath
Tel.: +49-(0) 211 929 69-0
Telefax: +49-(0) 211 929 69-3799
e-mail: infoservice@grundfos.de
Service in Deutschland:
e-mail: kundendienst@grundfos.de

Greece

GRUNDFOS Hellas A.E.B.E.
20th km. Athinon-Markopoulou Av.
P.O. Box 71
GR-19002 Peania
Phone: +0030-210-66 83 400
Telefax: +0030-210-66 46 273

Hong Kong

GRUNDFOS Pumps (Hong Kong) Ltd.
Unit 1, Ground floor
Siu Wai Industrial Centre
29-33 Wing Hong Street &
68 King Lam Street, Cheung Sha Wan
Kowloon
Phone: +852-27861706 / 27861741
Telefax: +852-27858664

Hungary

GRUNDFOS Hungária Kft.
Tópark u. 8
H-2045 Törökbálint,
Phone: +36-23 511 110
Telefax: +36-23 511 111

India

GRUNDFOS Pumps India Private
Limited
118 Old Mahabalipuram Road
Thoraipakkam
Chennai 600 096
Phone: +91-44 2496 6800

Indonesia

PT. GRUNDFOS POMPA
Graha Intirub Lt. 2 & 3
Jln. Cililitan Besar No.454. Makasar,
Jakarta Timur
ID-Jakarta 13650
Phone: +62 21-469-51900
Telefax: +62 21-460 6910 / 460 6901

Ireland

GRUNDFOS (Ireland) Ltd.
Unit A, Merrywell Business Park
Ballymount Road Lower
Dublin 12
Phone: +353-1-4089 800
Telefax: +353-1-4089 830

Italy

GRUNDFOS Pompe Italia S.r.l.
Via Gran Sasso 4
I-20060 Truccazzano (Milano)
Tel.: +39-02-95838112
Telefax: +39-02-95309290 / 95838461

Japan

GRUNDFOS Pumps K.K.
1-2-3, Shin-Miyakoda, Kita-ku,
Hamamatsu
431-2103 Japan
Phone: +81 53 428 4760
Telefax: +81 53 428 5005

Korea

GRUNDFOS Pumps Korea Ltd.
6th Floor, Aju Building 679-5
Yeoksam-dong, Kangnam-ku, 135-916
Seoul, Korea
Phone: +82-2-5317 600
Telefax: +82-2-5633 725

Latvia

SIA GRUNDFOS Pumps Latvia
Deglava biznesa centrs
Augusta Deglava iela 60, LV-1035, Rīga,
Tālr.: + 371 714 9640, 7 149 641
Fakss: + 371 914 9646

Lithuania

GRUNDFOS Pumps UAB
Smolensko g. 6
LT-03201 Vilnius
Tel: + 370 52 395 430
Fax: + 370 52 395 431

Malaysia

GRUNDFOS Pumps Sdn. Bhd.
7 Jalan Peguam U1/25
Glenmarie Industrial Park
40150 Shah Alam
Selangor
Phone: +60-3-5569 2922
Telefax: +60-3-5569 2866

Mexico

Bombas GRUNDFOS de México S.A. de
C.V.
Boulevard TLC No. 15
Parque Industrial Stiva Aeropuerto
Apodaca, N.L. 66600
Phone: +52-81-8144 4000
Telefax: +52-81-8144 2010

Netherlands

GRUNDFOS Netherlands
Veluwezoom 35
1326 AE Almere
Postbus 22015
1302 CA ALMERE
Tel.: +31-88-478 6336
Telefax: +31-88-478 6332
E-mail: info_gnl@grundfos.com

New Zealand

GRUNDFOS Pumps NZ Ltd.
17 Beatrice Tinsley Crescent
North Harbour Industrial Estate
Albany, Auckland
Phone: +64-9-415 3240
Telefax: +64-9-415 3250

Norway

GRUNDFOS Pumper A/S
Strømsveien 344
Postboks 235, Leirdal
N-1011 Oslo
Tlf.: +47-22 90 47 00
Telefax: +47-22 32 21 50

Poland

GRUNDFOS Pompy Sp. z o.o.
ul. Klonowa 23
Baranowo k. Poznania
PL-62-081 Przeźmierowo
Tel: (+48-61) 650 13 00
Fax: (+48-61) 650 13 50

Portugal

Bombas GRUNDFOS Portugal, S.A.
Rua Calvet de Magalhães, 241
Apartado 1079
P-2770-153 Paço de Arcos
Tel.: +351-21-440 76 00
Telefax: +351-21-440 76 90

Romania

Grundfos Pompe România SRL
S-PARK BUSINESS CENTER, Clădirea
A2,
etaj 2, Str. Tipografilor, Nr. 11-15, Sector
1,
Cod 013714, Bucuresti, Romania,
Tel: 004 021 2004 100
E-mail: romania@grundfos.ro
www.grundfos.ro

Russia

ООО Грундфос Россия
ул. Школьная, 39-41
Москва, RU-109544, Russia
Тел. (+7) 495 564-88-00 (495)
737-30-00
Факс (+7) 495 564 8811
E-mail grundfos.moscow@grundfos.com

Serbia

Grundfos Srbija d.o.o.
Omladinskih brigada 90b
11070 Novi Beograd
Phone: +381 11 2258 740
Telefax: +381 11 2281 769
www.rs.grundfos.com

Singapore

GRUNDFOS (Singapore) Pte. Ltd.
25 Jalan Tukang
Singapore 619264
Phone: +65-6681 9688
Telefax: +65-6681 9689

Slovakia

GRUNDFOS s.r.o.
Prievozská 4D
821 09 BRATISLAVA
Phona: +421 2 5020 1426
sk.grundfos.com

Slovenia

GRUNDFOS LJUBLJANA, d.o.o.
Leskovoška 9e, 1122 Ljubljana
Phone: +386 (0) 1 568 06 10
Telefax: +386 (0) 1 568 06 19
E-mail: tehnika-si@grundfos.com

South Africa

Grundfos (PTY) Ltd.
16 Lascelles Drive, Meadowbrook Estate
1609 Germiston, Johannesburg
Tel.: (+27) 10 248 6000
Fax: (+27) 10 248 6002
E-mail: lgradidge@grundfos.com

Spain

Bombas GRUNDFOS España S.A.
Camino de la Fuentecilla, s/n
E-28110 Algete (Madrid)
Tel.: +34-91-848 8800
Telefax: +34-91-628 0465

Sweden

GRUNDFOS AB
Box 333 (Lunnagårdsgatan 6)
431 24 Mölndal
Tel.: +46 31 332 23 000
Telefax: +46 31 331 94 60

Switzerland

GRUNDFOS Pumpen AG
Bruggacherstrasse 10
CH-8117 Fällanden/ZH
Tel.: +41-44-806 8111
Telefax: +41-44-806 8115

Taiwan

GRUNDFOS Pumps (Taiwan) Ltd.
7 Floor, 219 Min-Chuan Road
Taichung, Taiwan, R.O.C.
Phone: +886-4-2305 0868
Telefax: +886-4-2305 0878

Thailand

GRUNDFOS (Thailand) Ltd.
92 Chaloeam Phrakiat Rama 9 Road,
Dokmai, Pravej, Bangkok 10250
Phone: +66-2-725 8999
Telefax: +66-2-725 8998

Turkey

GRUNDFOS POMPA San. ve Tic. Ltd.
Sti.
Gebze Organize Sanayi Bölgesi
İhsan dede Caddesi,
2. yol 200. Sokak No. 204
41490 Gebze/ Kocaeli
Phone: +90 - 262-679 7979
E-mail: satis@grundfos.com

Ukraine

Бізнес Центр Європа
Столичне шосе, 103
м. Київ, 03131, Україна
Телефон: (+38 044) 237 04 00
Факс.: (+38 044) 237 04 01
E-mail: ukraine@grundfos.com

United Arab Emirates

GRUNDFOS Gulf Distribution
P.O. Box 16768
Jebel Ali Free Zone
Dubai
Phone: +971 4 8815 166
Telefax: +971 4 8815 136

United Kingdom

GRUNDFOS Pumps Ltd.
Grovebury Road
Leighton Buzzard/Beds. LU7 4TL
Phone: +44-1525-850000
Telefax: +44-1525-850011

U.S.A.

GRUNDFOS Pumps Corporation
9300 Loiret Blvd.
Lenexa, Kansas 66219
Phone: +1-913-227-3400
Telefax: +1-913-227-3500

Uzbekistan

Grundfos Tashkent, Uzbekistan The Rep-
resentative Office of Grundfos Kazakhstan
in Uzbekistan
38a, Oybek street, Tashkent
Телефон: (+998) 71 150 3290 / 71 150
3291
Факс: (+998) 71 150 3292

Addresses Revised 09.09.2020

98061021 03.2021

ECM: 1303303

Trademarks displayed in this material, including but not limited to Grundfos, the Grundfos logo and "be think innovate" are registered trademarks owned by The Grundfos Group. All rights reserved. © 2021 Grundfos Holding A/S, all rights reserved.