

TPE2 (D), TPE3 (D)

Safety instructions and other important information



TPE2 (D), TPE3 (D)
Installation and operating instructions
Other languages
<http://net.grundfos.com/qr/i/98450210>

TPE2 (D), TPE3 (D)

English (GB)

Safety instructions. 5

Български (BG)

Инструкции за безопасност 10

Čeština (CZ)

Bezpečnostní pokyny 15

Deutsch (DE)

Sicherheitshinweise 20

Dansk (DK)

Sikkerhedsanvisninger. 25

Eesti (EE)

Ohutusjuhised 30

Español (ES)

Instrucciones de seguridad. 34

Suomi (FI)

Turvallisuusohjeet. 39

Français (FR)

Consignes de sécurité. 44

Ελληνικά (GR)

Οδηγίες ασφαλείας 49

Hrvatski (HR)

Sigurnosne upute 54

Magyar (HU)

Biztonsági utasítások 59

Italiano (IT)

Istruzioni di sicurezza 64

Lietuviškai (LT)

Saugos nurodymai 69

Latviešu (LV)

Drošības instrukcijas 74

Nederlands (NL)

Veiligheidsinstructies. 79

Polski (PL)

Zasady bezpieczeństwa. 84

Português (PT)	
Instruções de segurança	89
Română (RO)	
Instrucțiuni de siguranță	94
Srpski (RS)	
Sigurnosna uputstva	99
Svenska (SE)	
Säkerhetsinstruktioner	103
Slovensko (SI)	
Varnostna navodila	108
Slovenčina (SK)	
Bezpečnostné pokyny	113
Türkçe (TR)	
Güvenlik talimatları	118
Українська (UA)	
Інструкція з техніки безпеки	123
中文 (CN)	
安全指导	128
Bahasa Indonesia (ID)	
Peringatan keamanan	132
Macedonian (MK)	
Упатства за безбедност	137
(AR) العربية	
تعليمات السلامة	142
Shqip (SQ)	
Udhëzimet e sigurisë	147
Appendix A	152
EU declaration of conformity	153
UK declaration of conformity	156
Moroccan declaration of conformity	157
Ukrainian declaration of conformity	159
Operating manual EAC	161

English (GB) Safety instructions

■ Original safety instructions

These safety instructions give a quick overview of the safety precautions to be taken in connection with any work on this product. Observe these safety instructions during handling, installation, operation, maintenance, service and repair of this product. These safety instructions are a supplementary document, and all safety instructions will appear again in the relevant sections of the installation and operating instructions. Keep these safety instructions at the installation site for future reference.

Battery

DANGER

Intoxication or risk of chemical burn

Death or serious personal injury



- The battery can cause severe or fatal injuries in 2 hours or less if it is swallowed or placed inside any part of the body. In such an event, seek medical attention immediately.



- The replacement or servicing of batteries must be carried out by a qualified person.
- The battery contained within this product, whether new or used, is hazardous and is to be kept away from children.

Transporting the product

WARNING

Falling objects

Death or serious personal injury



- Secure the product during transportation to prevent it from tilting or falling down.

CAUTION

Crushing of feet

Minor or moderate personal injury



- Wear safety shoes when moving the product.

Handling the product

CAUTION

Back injury

Minor or moderate personal injury



- Use lifting equipment.

CAUTION

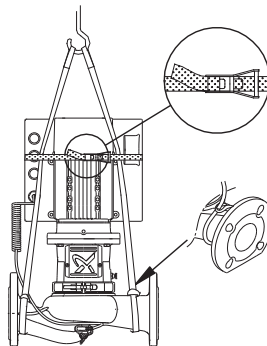
Crushing of feet

Minor or moderate personal injury

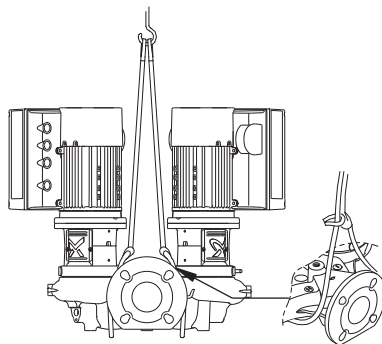


- Wear safety shoes and attach lifting equipment to the motor eyebolts when handling the product.

Lift the pump by means of nylon straps. See figures TPE2, TPE3 and TPE2 D, TPE3 D.



TPE2, TPE3



TPE2 D, TPE3 D

TM057914

TM057915

Pumped liquids

WARNING

Contact with hazardous liquids

Death or serious personal injury



- If the pump is used for a liquid which is injurious to health, it will be classified as contaminated. In such cases, take proper precautions to avoid injury to health when operating or working on the pump.
- Wear personal protection equipment.

Mechanical installation



WARNING

Hot or cold surface

Death or serious personal injury



- Make sure that no one can accidentally come into contact with hot or cold surfaces.

Terminal box positions

DANGER

Electric shock

Death or serious personal injury



- Switch off the power supply to the motor and to the signal relays. Wait at least 5 minutes before you make any connections in the terminal box. Make sure that the power supply cannot be accidentally switched on.

WARNING

Hazardous liquids

Death or serious personal injury



- If the pump is used for a liquid which is injurious to health, it will be classified as contaminated. In such cases, take proper precautions to avoid injury to health when operating or working on the pump.
- Wear personal protection equipment.

WARNING

Falling objects

Death or serious personal injury



- If the pump head has been lifted partly or completely from the pump housing, pay special attention when fitting the pump head again.

CAUTION

Crushing of feet

Minor or moderate personal injury



- Wear safety shoes.
- Pay special attention that the pump head does not fall down when loosening the clamp. See figure Clamp (A).

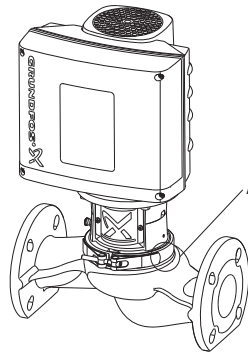
WARNING

Pressurised system

Death or serious personal injury



- Pay special attention to any escaping vapour when loosening the clamp. See figure Clamp (A).
- Wear personal protection equipment.



Clamp (A)

Fitting of pump head

DANGER

Electric shock

Death or serious personal injury



- Switch off the power supply to the motor and to the signal relays. Wait at least 5 minutes before you make any connections in the terminal box. Make sure that the power supply cannot be accidentally switched on.

WARNING

Falling objects

Death or serious personal injury



- If the pump head has been lifted partly or completely from the pump housing, pay special attention when fitting the pump head again.

CAUTION**Crushing of feet**

Minor or moderate personal injury



- Wear safety shoes.
- Pay special attention that the pump head does not fall down when loosening the clamp. See figure Clamp (A).

WARNING**Pressurised system**

Death or serious personal injury



- Pay special attention to any escaping vapour when loosening the clamp. See figure Clamp (A).
- Wear personal protection equipment.

Electrical connection**DANGER****Electric shock**

Death or serious personal injury



- Switch off the power supply to the motor and to the signal relays. Wait at least 5 minutes before you make any connections in the terminal box. Make sure that the power supply cannot be switched on accidentally.

DANGER**Electric shock**

Death or serious personal injury



- Check that the supply voltage and frequency correspond to the values stated on the nameplate.

Protection against electric shock, indirect contact**WARNING****Electric shock**

Death or serious personal injury



- Connect the motor to protective earth and provide protection against indirect contact in accordance with local regulations.

Cable cross-section**DANGER****Electric shock**

Death or serious personal injury



- Always comply with local regulations as to cable cross-sections.

Mains supply**DANGER****Electric shock**

Death or serious personal injury



- Use the recommended fuse size. See section Supply voltage.

Additional protection**DANGER****Electric shock**

Death or serious personal injury



- Only use residual-current circuit breakers (ELCB, GFCI, RCD) of type B.

Connection terminals, advanced functional module, FM 300**DANGER****Electric shock**

Death or serious personal injury



- Make sure that the wires to be connected to the connection groups below are separated from each other by reinforced insulation in their entire lengths.

Priming the pump**Closed systems or open systems where the liquid level is above the pump inlet****WARNING****Escaping hot or cold liquids**

Death or serious personal injury



- Pay attention to the direction of the vent hole, and make sure that the escaping hot or cold liquid does not cause injury to persons or damage to the equipment.
- Wear personal protection equipment.

Starting the pump**WARNING****Escaping hot or cold liquids**

Death or serious personal injury



- Pay attention to the direction of the vent hole, and make sure that the escaping hot or cold liquid does not cause injury to persons or damage to the equipment.
- Wear personal protection equipment.

User interfaces**WARNING
Hot surface**

Death or serious personal injury

- Only touch the buttons on the display as the product may be very hot.

**WARNING
Electric shock**

Death or serious personal injury

- If the control panel is cracked or perforated, replace it immediately. Contact the nearest Grundfos sales company.

Installing a communication interface module**DANGER
Electric shock**

Death or serious personal injury

- Switch off the power supply to the motor and to the signal relays. Wait at least 5 minutes before starting any work on the motor. Make sure that the power supply cannot be accidentally switched on.

Changing the position of the control panel**DANGER
Electric shock**

Death or serious personal injury

- Switch off the power supply to the motor and to the signal relays. Wait at least 5 minutes before starting any work on the motor. Make sure that the power supply cannot be accidentally switched on.

Servicing the product**DANGER
Electric shock**

Death or serious personal injury

- Switch off the power supply to the motor and to the signal relays. Wait at least 5 minutes before starting any work on the motor. Make sure that the power supply cannot be accidentally switched on.

**DANGER
Magnetic field**

Death or serious personal injury

- Do not handle the motor or rotor if you have a pacemaker.

**WARNING
Hazardous liquids**

Death or serious personal injury



- If the pump is used for a liquid which is injurious to health, it will be classified as contaminated. In such cases, take proper precautions to avoid injury to health when operating or working on the pump.

- Wear personal protection equipment.

**CAUTION
Hot or cold liquids**

Minor or moderate personal injury

- Wear personal protection equipment.

**CAUTION
Pressurised system**

Minor or moderate personal injury

- Do not remove the ultrasonic flow sensor during service and maintenance.

**CAUTION
Pressurised system**

Minor or moderate personal injury

- Wear personal protective equipment.

Cleaning the product**WARNING
Electric shock**

Death or serious personal injury

- Switch off the power supply to the motor and to the signal relays. Check that the terminal box cover is intact before spraying water on the product.

Fault finding**DANGER
Electric shock**

Death or serious personal injury

- Switch off the power supply to the motor and to the signal relays. Wait at least 5 minutes before starting any work on the motor. Make sure that the power supply cannot be accidentally switched on.

**DANGER
Magnetic field**

Death or serious personal injury

- Do not handle the motor or rotor if you have a pacemaker.

WARNING**Hazardous liquids**

Death or serious personal injury



- If the pump is used for a liquid which is injurious to health, it will be classified as contaminated. In such cases, take proper precautions to avoid injury to health when operating or working on the pump.
- Wear personal protection equipment.

CAUTION**Hot or cold liquids**

Minor or moderate personal injury



- Wear personal protection equipment.

Disposing of the product

This product or parts of it must be disposed of in an environmentally sound way:


1. Use the public or private waste collection service.
2. If this is not possible, contact the nearest Grundfos company or service workshop.

Dispose of the waste battery through the national collective schemes. If in doubt, contact your local Grundfos company.

Appendix A

A.1. 中国 RoHS

产品中有害物质的名称及含量

部件名称	有害物质					
	铅 (Pb)	汞 (Hg)	镉 (Cd)	六价铬 (Cr6+)	多溴联苯 (PBB)	多溴联苯醚 (PBDE)
印刷电路板	X	O	O	O	O	O
紧固件	X	O	O	O	O	O
<p>本表格依据 SJ/T 11364 的规定编制</p> <p>O: 表示该有害物质在该部件所有均质材料中的含量均在 GB/T 26572 规定的限量要求以下。 X: 表示该有害物质至少在该部件的某一均质材料中的含量超出 GB/T 26572 该规定的限量要求。</p> <p> 该产品环保使用期限为 10 年，标识如左图所示。 此环保期限只适用于产品在安装与使用说明书中所规定的条件下工作</p>						

EU declaration of conformity

GB: EU declaration of conformity

We, Grundfos, declare under our sole responsibility that the product TPE2, TPE2 D, TPE3, TPE3, to which the declaration below relates, is in conformity with the Council Directives listed below on the approximation of the laws of the EU member states.

CZ: Prohlášení o shodě EU

My firma Grundfos prohlašujeme na svou plnou odpovědnost, že výrobek TPE2, TPE2 D, TPE3, TPE3, na který se toto prohlášení vztahuje, je v souladu s níže uvedenými ustanoveními směrnice Rady pro sblížení právních předpisů členských států Evropského společenství.

DK: EU-overensstemmelseserklæring

Vi, Grundfos, erklærer under ansvar at produktet TPE2, TPE2 D, TPE3, TPE3 som erklæringen nedenfor omhandler, er i overensstemmelse med Rådets direktiver der er nævnt nedenfor, om indbyrdes tilnærmelse til EU-medlemsstaternes lovgivning.

ES: Declaración de conformidad de la UE

Grundfos declara, bajo su exclusiva responsabilidad, que el producto TPE2, TPE2 D, TPE3, TPE3 al que hace referencia la siguiente declaración cumple lo establecido por las siguientes Directivas del Consejo sobre la aproximación de las legislaciones de los Estados miembros de la UE.

FR: Déclaration de conformité UE

Nous, Grundfos, déclarons sous notre seule responsabilité, que le produit TPE2, TPE2 D, TPE3, TPE3, auquel se réfère cette déclaration, est conforme aux Directives du Conseil concernant le rapprochement des législations des États membres UE relatives aux normes énoncées ci-dessous.

HR: EU deklaracija sukladnosti

Mi, Grundfos, izjavljujemo s punom odgovornošću da je proizvod TPE2, TPE2 D, TPE3, TPE3, na koja se izjava odnosi u nastavku, u skladu s dolje navedenim direktivama Vijeća o usklađivanju zakona država članica EU-a.

IT: Dichiarazione di conformità UE

Grundfos dichiara sotto la sua esclusiva responsabilità che il prodotto TPE2, TPE2 D, TPE3, TPE3, al quale si riferisce questa dichiarazione, è conforme alle seguenti direttive del Consiglio riguardanti il riavvicinamento delle legislazioni degli Stati membri UE.

BG: Декларация за съответствие на ЕО

Ние, фирма Grundfos, заявяваме с пълна отговорност, че продуктът TPE2, TPE2 D, TPE3, TPE3, за който се отнася настоящата декларация, отговаря на следните директиви на Съвета за уеднаквяване на правните разпоредби на държавите-членки на ЕО.

DE: EU-Konformitätserklärung

Wir, Grundfos, erklären in alleiniger Verantwortung, dass das Produkt TPE2, TPE2 D, TPE3, TPE3, auf das sich diese Erklärung bezieht, mit den folgenden Richtlinien des Rates zur Angleichung der Rechtsvorschriften der EU-Mitgliedsstaaten übereinstimmt.

EE: EÜvastavusdeklaratsioon

Meie, Grundfos, kinnitame ja kanname ainuisikulist vastutust selle eest, et toode TPE2, TPE2 D, TPE3, TPE3, mille kohta all olev deklaratsioon käib, on kooskõlas Nõukogu Direktiividega, mis on nimetatud all pool vastavalt vastuvõetud õigusaktidele ühtlustamise kohta EÜ liikmesriikides.

FI: EU-vaatimustenmukaisuusvakuutus

Grundfos vakuuttaa omalla vastuullaan, että tuote TPE2, TPE2 D, TPE3, TPE3, jota tämä vakuutus koskee, on EU:n jäsenvaltioiden lainsäädännön lähentämiseen tähtäävien Euroopan neuvoston direktiivien vaatimusten mukainen seuraavasti.

GR: Δήλωση συμμόρφωσης ΕΕ

Εμείς, η Grundfos, δηλώνουμε με αποκλειστικά δική μας ευθύνη ότι το προϊόν TPE2, TPE2 D, TPE3, TPE3, στο οποίο αναφέρεται η παρακάτω δήλωση, συμμορφώνεται με τις παρακάτω Οδηγίες του Συμβουλίου περί προσέγγισης των νομοθεσιών των κρατών μελών της ΕΕ.

HU: EU megfeleléségi nyilatkozat

Mi, a Grundfos vállalat, teljes felelősséggel kijelentjük, hogy a(z) TPE2, TPE2 D, TPE3, TPE3 termék, amelyre az alábbi nyilatkozat vonatkozik, megfelel az Európai Unió tagállamainak jogi irányelveit összehangoló tanács alábbi előírásainak.

LT: ES atitikties deklaracija

Mes, Grundfos, su visa atsakomybe pareiškiamo, kad produktas TPE2, TPE2 D, TPE3, TPE3, kuriam skirta ši deklaracija, atitinka žemiau nurodytas Tarybos Direktyvas dėl ES šalių narių įstatymų suderinimo.

LV: ES atbilstības deklarācija

Sabiedrība Grundfos ar pilnu atbildību paziņo, ka produkts TPE2, TPE2 D, TPE3, TPE3, uz kuru attiecas tālāk redzamā deklarācija, atbilst tālāk norādītajām Padomes direktīvām par ES dalībvalstu normatīvo aktu tuvināšanu.

PL: Deklaracja zgodności UE

My, Grundfos, oświadczamy z pełną odpowiedzialnością, że nasz produkt TPE2, TPE2 D, TPE3, TPE3, którego deklaracja niniejsza dotyczy, jest zgodny z następującymi dyrektywami Rady w sprawie zbliżenia przepisów prawnych państw członkowskich.

RO: Declarația de conformitate UE

Noi Grundfos declarăm pe propria răspundere că produsul TPE2, TPE2 D, TPE3, TPE3, la care se referă această declarație, este în conformitate cu Directivele de Consiliu specificate mai jos privind armonizarea legilor statelor membre UE.

SE: EU-försäkran om överensstämmelse

Vi, Grundfos, försäkrar under ansvar att produkten TPE2, TPE2 D, TPE3, TPE3, som omfattas av nedanstående försäkran, är i överensstämmelse med de rådsdirektiv om inbördes närmande till EU-medlemsstaternas lagstiftning som listas nedan.

SK: ES vyhlásenie o zhode

My, spoločnosť Grundfos, vyhlasujeme na svoju plnú zodpovednosť, že produkt TPE2, TPE2 D, TPE3, TPE3, na ktorý sa vyhlásenie uvedené nižšie vzťahuje, je v súlade s ustanoveniami nižšie uvedených smerníc Rady pre zblíženie právnych predpisov členských štátov EÚ.

UA: Декларація відповідності директивам EU

Ми, компанія Grundfos, під нашу одноосібну відповідальність заявляємо, що виріб TPE2, TPE2 D, TPE3, TPE3, до якого відноситься нижченаведена декларація, відповідає директивам EU, переліченим нижче, щодо тотожності законів країн-членів ЄС.

ID: Deklarasi kesesuaian Uni Eropa

Kami, Grundfos, menyatakan dengan tanggung jawab kami sendiri bahwa produk TPE2, TPE2 D, TPE3, TPE3, yang berkaitan dengan pernyataan ini, sesuai dengan Petunjuk Dewan serta sedapat mungkin sesuai dengan hukum negara-negara anggota Uni Eropa.

(EU) إقرار مطابقة الاتحاد الأوروبي (EU): AR

نحن، جرونڤوس، بمقتضى مسؤوليتنا الفردية بأن المنتج TPE2، TPE2 D، TPE3، TPE3، الذي يختص به الإقرار أدناه، يكون مطابقاً لتوجيهات المجلس المذكورة أدناه بشأن التقريب بين قوانين الدول أعضاء الاتحاد الأوروبي (EU).

NL: EU-conformiteitsverklaring

Wij, Grundfos, verklaren geheel onder eigen verantwoordelijkheid dat product TPE2, TPE2 D, TPE3, TPE3, waarop de onderstaande verklaring betrekking heeft, in overeenstemming is met de onderstaande Richtlijnen van de Raad inzake de onderlinge aanpassing van de wetgeving van de EU-lidstaten.

PT: Declaração de conformidade UE

A Grundfos declara sob sua única responsabilidade que o produto TPE2, TPE2 D, TPE3, TPE3, ao qual diz respeito a declaração abaixo, está em conformidade com as Directivas do Conselho sobre a aproximação das legislações dos Estados Membros da UE.

RS: Deklaracija o usklađenosti EU

Mi, kompanija Grundfos, izjavljujemo pod punom vlastitom odgovornošću da je proizvod TPE2, TPE2 D, TPE3, TPE3, na koji se odnosi deklaracija ispod, u skladu sa dole prikazanim direktivama Saveta za usklađivanje zakona država članica EU.

SI: Izjava o skladnosti EU

V Grundfosu s polno odgovornostjo izjavljamo, da je izdelek TPE2, TPE2 D, TPE3, TPE3, na katerega se spodnja izjava nanaša, v skladu s spodnjimi direktivami Sveta o približevanju zakonodaje za izenačevanje pravnih predpisov držav članic EU.

TR: AB uygunluk bildiřesi

Grundfos olarak, aşağıdaki bildirim konusu olan TPE2, TPE2 D, TPE3, TPE3 ürünlerinin, AB üye ülkelerinin direktiflerinin yakınlaştırılmasıyla ilgili durumun aşağıdaki Konsey Direktifleriyle uyumlu olduğunu ve bununla ilgili olarak tüm sorumluluğun bize ait olduğunu beyan ederiz.

CN: 欧盟符合性声明

我们，格兰富，在我们的全权责任下声明，产品 TPE2, TPE2 D, TPE3, TPE3 系列，其制造和性能完全符合以下所列欧盟委员会指令。

MK: Декларација за сообразност на EY

Ние, Grundfos, изјавуваме под целосна одговорност дека производот TPE2, TPE2 D, TPE3, TPE3, на кого се однесува долунаведената декларација, е во согласност со овие директиви на Советот за приближување на законите на земјите-членки на EY.

AL: Deklara e konformitetit të BE

Ne, Grundfos, deklarojmë vetëm nën përgjegjësinë tonë se produkti TPE2, TPE2 D, TPE3, TPE3, me të cilin ka lidhje kjo deklaratë, është në pajtim me direktivat e Këshillit të renditura më poshtë për përfaqsimin e ligjeve të shteteve anëtare të BE-së.

Machinery Directive (2006/42/EC and 2009/127/EC)

Standard used: EN 809:1998+A1:2009

Ecodesign Directive (2009/125/EC)**RoHS Directives (2011/65/EU and 2015/863/EU)**

Standard used: EN IEC 63000:2018

Products with motors marked with HMI 100, HMI 200 or HMI 300, and with CIM 250 OR CIM 270.

- **Radio Equipment Directive (2014/53/EU)**

Standards used: EN 61800-5-1:2007, EN 61800-3:2004+A1:2018, EN 62479:2010, EN 301 489-1 V2.2.0, EN 301 489-17 V2.2.1, EN 301 489-52 V1.1.0, EN 301 489-7 V1.3.1, EN 300 328 V2.1.1, EN 301 511 V12.5.1

Products with motors marked with HMI 100, HMI 200 or HMI 300, and with all other CIMs than CIM 250 or CIM 270, incl. without CIM.

- **Radio Equipment Directive (2014/53/EU)**

Standards used: EN 61800-5-1:2007, EN 61800-3:2004+A1:2012, EN 62479:2010, EN 301 489-1 V2.2.0, EN 301 489-17 V2.2.1, EN 300 328 V2.1.1

Products with motors marked with HMI 101, HMI 201 or HMI 301, and with CIM 250 or CIM 270

- **Radio Equipment Directive (2014/53/EU)**

Standards used: EN 61800-5-1:2007, EN 61800-3:2004+A1:2012, EN 62479:2010, EN 301 489-1 V2.2.1, EN 301 489-52 V1.1.0, EN 301 511 V12.5.1

Products with motors marked with HMI 101, HMI 201 or HMI 301

- **EMC Directive (2014/30/EU)**

Standard used: EN 61800-3:2004+A1:2012

This declaration of conformity is only valid when published as part of the Grundfos Safety Instruction and other important information (publication number 98465090).

Suzhou, Jiang Su Province, PRC, 08 September 2022



Joachim Krogshave
Head of PD CBS

Grundfos Holding A/S
Poul Due Jensens Vej 7
8850 Bjerringbro, Denmark

Person authorised to compile technical file and empowered to sign the EU declaration of conformity.

UK declaration of conformity

UK declaration of conformity

We, Grundfos, declare under our sole responsibility that the products to which the declaration below relates, are in conformity with UK regulations, standards and specifications to which conformity is declared, as listed below:

Valid for Grundfos products:

TPE2, TPE2 D, TPE3, TPE3 D

Supply of Machinery (Safety) Regulations 2008

Standard used: EN 809:1998 + A1:2009

The Ecodesign for Energy-Related Products and Energy Information Regulations 2019

The Restriction of the Use of Certain Hazardous Substances in Electrical and Electronic Equipment Regulations 2019

Standards used: EN IEC 63000:2018

Products with motors marked: HMI 100, HMI 200 or HMI 300, and CIM 250 or CIM 270

- **Radio Equipment Regulations 2017**

Standards used: EN 61800-5-1:2007, EN 61800-3:2004+A1:2012, EN 62479:2010, EN 301 489-1 V2.2.0, EN 301 489-17 V2.2.1, EN 301 489-52 V1.1.0, EN 301 489-7 V1.3.1, EN 300 328 V2.1.1, EN 301 511 V12.5.1

Products with motors marked: HMI 100, HMI 200 or HMI 300, and all other CIM than CIM 250 or CIM 270, incl. none.

- **Radio Equipment Regulations 2017**

Standards used: EN 61800-5-1:2007, EN 61800-3:2004+A1:2012, EN 62479:2010, EN 301 489-1 V2.2.0, EN 301 489-17 V2.2.1, EN 300 328 V2.1.1

Products with motors marked: HMI 101, HMI 201 or HMI 301, and CIM 250 or CIM 270

- **Radio Equipment Regulations 2017**

Standards used: EN 61800-5-1:2007, EN 61800-3:2004+A1:2012, EN 62479:2010, EN 301 489-1 V2.2.1, EN 301 489-52 V1.1.0, EN 301 511 V12.5.1

Products with motors marked: HMI 101, HMI 201 or HMI 301

- **Electromagnetic Compatibility Regulations 2016**

Standard used: EN 61800-3:2004+A1:2012

This UK declaration of conformity is only valid when published as part of the Grundfos Safety Instruction and other important information (publication number 98465090).

Suzhou, Jiang Su Province, PRC, 08 September 2022



Manufacturer and person empowered to sign the UK declaration of conformity.

[10000433349]

Joachim Krogshave
 Head of PD CBS
 Grundfos Holding A/S
 Poul Due Jensens Vej 7
 8850 Bjerringbro, Denmark

Moroccan declaration of conformity



GB: Moroccan declaration of conformity

We, Grundfos, declare under our sole responsibility that the products to which the declaration below relates, are in conformity with Moroccan laws, orders, standards and specifications to which conformity is declared, as listed below:

Valid for Grundfos products:

TPE2, TPE2 D, TPE3, TPE3 D

Law No 24-09, 2011 Safety of products and services and the following orders:

Order No 2573-14, 2015 Safety Requirements for Low Voltage Electrical Equipment

Standards used: NM EN 61800-5-1:2014, NM EN 809+A1:2015

Order No 2574-14, 2015 Electromagnetic Compatibility

Standards used: NM EN 61800-3:2018

This Moroccan declaration of conformity is only valid when accompanying Grundfos instructions.

[98465090]



FR: Déclaration de conformité marocaine

Nous, Grundfos, déclarons sous notre seule responsabilité que les produits auxquels se réfère cette déclaration, sont conformes aux lois, ordonnances, normes et spécifications marocaines pour lesquelles la conformité est déclarée, comme indiqué ci-dessous :

Valable pour les produits Grundfos :

TPE2, TPE2 D, TPE3, TPE3 D

Sécurité des produits et services, loi n° 24-09, 2011 et décrets suivants :

Exigences de sécurité pour les équipements électriques basse tension, ordonnance n° 2573-14, 2015

Normes utilisées : NM EN 61800-5-1:2014, NM EN 809+A1:2015

Compatibilité électromagnétique, ordonnance n° 2574-14, 2015

Normes utilisées : NM EN 61800-3:2018

Cette déclaration de conformité marocaine est uniquement valide lorsqu'elle accompagne la notice d'installation et de fonctionnement Grundfos.



AR: إقرار المطابقة المغربي

نحن، جروندفوس، نفر تحت مسؤوليتنا وحدنا بأن المنتجات التي يتعلق بها الإقرار أدناه، تتوافق مع القوانين والقرارات والمعايير والمواصفات المغربية التي تم إقرار المطابقة بشأنها، كما هو موضح أدناه:

سار على منتجات جروندفوس:

TPE2, TPE2 D, TPE3, TPE3 D

قانون رقم 09-24، 2011 بشأن سلامة المنتجات والخدمات والقرارات التالية:

القرار رقم 14-2573، 2015 متطلبات السلامة للمعدات الكهربائية ذات الجهد المنخفض

المعايير المستخدمة: NM EN 809+A1:2015، NM EN 61800-5-1:2014

القرار رقم 14-2574، 2015 التوافق الكهرومغناطيسي

المعايير المستخدمة: NM EN 61800-3:2018

يكون إقرار المطابقة المغربي صالحا فقط عند نشره كجزء من تعليمات جروندفوس.

Suzhou, Jiang Su Province, PRC, 08 September 2022

Joachim Krogshave
Head of PD CBS

Grundfos Holding A/S
Poul Due Jensens Vej 7
8850 Bjerringbro, Denmark

GB: Manufacturer and person empowered to sign the Moroccan declaration of conformity.

FR: Fabricant et personne habilitée à signer la Déclaration de conformité marocaine.

AR: الجهة المصنعة والشخص المفوض بتوقيع إقرار المطابقة المغربي.

[10000433360]

Ukrainian declaration of conformity



GB: Ukrainian declaration of conformity

We, Grundfos, declare under our sole responsibility that the products to which the declaration below relates, are in conformity with Ukrainian resolutions, standards and specifications to which conformity is declared, as listed below:

Valid for Grundfos products:

TPE2 (D), TPE3 (D)

Resolution No. 62, 2013 - Technical Regulations on Safety of Machines

Resolution No. 533, 2018 - Amendments to some provisions

Standards used: ДСТУ EN 809:2015

Resolution No 804, 2018 - Establishing a Framework for the Setting of Ecodesign Requirements for Energy-related Products

Resolution No. 139, 2017 - Technical Regulations on Use of Certain Hazardous Substances in Electrical and Electronic Equipment

Standards used: ДСТУ EN IEC 63000:2020

Resolution No. 1077, 2015 - Technical Regulations on Electromagnetic Compatibility

Resolution No. 533, 2018 - Amendments to some provisions

Standards used: ДСТУ EN 61800-3:2015

Resolution No. 355, 2017 - Technical Regulation on Radio Equipment

Standards used: ДСТУ EN 61800-5-1:2015, ДСТУ EN 61800-3:2015, ДСТУ EN 62479:2015, ДСТУ ETSI EN 301 489-1:2019, ДСТУ ETSI EN 301 489-17:2008, ETSI EN 301 489-52 V1.1.0, ДСТУ ETSI EN 301 489-7:2008, ДСТУ ETSI EN 300 328:2017, ДСТУ ETSI EN 301 511:2016

Importer address:

LLC Grundfos Ukraine, Business Center Europe

103, Stolychne Shose, UA-03026 Kyiv, Ukraine

Phone: (+380) 44 237 0400

Email: ukraine@grundfos.com

This Ukrainian declaration of conformity is only valid when accompanying Grundfos instructions.



UA: Українська декларація відповідності

Ми, Grundfos, заявляємо про свою виключну відповідальність за те, що продукція, до якої відноситься ця декларація, відповідає вимогам українським постановам, стандартам та технічним умовам, щодо яких заявлена відповідність, як зазначено нижче:

Дійсно для продуктів Grundfos:

TPE2 (D), TPE3 (D)

Постанова № 62 від 2013 р., Про затвердження Технічного регламенту безпеки машин

Постанова № 533 від 2018 р., Про внесення змін до деяких положень

Застосовані стандарти: ДСТУ EN 809:2015

Постанова № 804 від 2018 р., Встановлення системи для визначення вимог з екодизайну енергоспоживчих продуктів

Постанова № 139 від 2017 р., Технічний регламент обмеження використання деяких небезпечних речовин в електричному та електронному обладнанні

Застосовані стандарти: ДСТУ EN IEC 63000:2020

Постанова № 1077 від 2015 р., Технічний регламент з електромагнітної сумісності обладнання

Постанова № 533 від 2018 р., Про внесення змін до деяких положень

Застосовані стандарти: ДСТУ EN 61800-3:2015

Постанова № 355 від 2017 р., Технічний регламент радіоблагоднання

Застосовані стандарти: ДСТУ EN 61800-5-1:2015, ДСТУ EN 61800-3:2015, ДСТУ EN 62479:2015, ДСТУ ETSI EN 301 489-1:2019, ДСТУ ETSI EN 301 489-17:2008, ETSI EN 301 489-52 V1.1.0, ДСТУ ETSI EN 301 489-7:2008, ДСТУ ETSI EN 300 328:2017, ДСТУ ETSI EN 301 511:2016

Адреса імпортера:

ТОВ "Грундфос Україна", Бізнес Центр "Європа"

Столичне шосе, 103, м. Київ, 03026, Україна

Телефон: (+380) 44 237 0400

Ел. пошта: ukraine@grundfos.com

Ця українська декларація відповідності дійсна лише за наявності інструкцій Grundfos.

Suzhou, Jiang Su Province, PRC, 08 September 2022

Joachim Krogshave
Head of PD CBS

Grundfos Holding A/S
Poul Due Jensens Vej 7
8850 Bjerringbro, Denmark

GB: Manufacturer and person empowered to sign the Ukrainian declaration of conformity
UA: Виробник та особа, уповноважена підписати українську декларацію відповідності
[10000433372]

RUS

TP(D), TPE(D), TPE2 (D), TPE3 (D), NK, NK(G)E, NB, NB(G)E, MTB
Руководство по эксплуатации



Руководство по эксплуатации на данное изделие является составным и включает в себя несколько частей:

Часть 1: настоящее «Руководство по эксплуатации».

Часть 2: электронная часть «Паспорт. Руководство по монтажу и эксплуатации» размещенная на сайте компании Грундфос. Перейдите по ссылке, указанной в конце документа.

Часть 3: информация о сроке изготовления, размещенная на фирменной табличке изделия.

Сведения о сертификации:

Насосы типа TP(D), TPE(D), TPE2 (D), TPE3 (D), NK, NK(G)E, NB, NB(G)E, MTB сертифицированы на соответствие требованиям Технических регламентов Таможенного союза: TP TC 004/2011 «О безопасности низковольтного оборудования»; TP TC 010/2011 «О безопасности машин и оборудования»; TP TC 020/2011 «Электромагнитная совместимость технических средств».

KAZ

TP(D), TPE(D), TPE2 (D), TPE3 (D), NK, NK(G)E, NB, NB(G)E, MTB
Пайдалану бойынша нұсқаулық

Атаулы өнімге арналған пайдалану бойынша нұсқаулық құрамалы болып келеді және келесі бөлімдерден тұрады:

1 бөлім: атаулы «Пайдалану бойынша нұсқаулық»

2 бөлім: Грундфос компаниясының сайтында орналасқан электронды бөлім «Төлқұжат, Құрастыру және пайдалану бойынша нұсқаулық». Құжат соңында көрсетілген сілтеме арқылы өтіңіз.

3 бөлім: өнімнің фирмалық тақтасында орналасқан шығарылған уақыты жөніндегі мәлімет

Сертификаттау туралы ақпарат:

TP(D), TPE(D), TPE2 (D), TPE3 (D), NK, NK(G)E, NB, NB(G)E, MTB типті сорғылары «Төмен вольтты жабдықтардың қауіпсіздігі туралы» (TP TC 004/2011), «Машиналар және жабдықтар қауіпсіздігі туралы» (TP TC 010/2011) «Техникалық заттардың электрлі магниттік сәйкестілігі» (TP TC 020/2011) Кеден Одағының техникалық регламенттерінің талаптарына сәйкес сертифициталды.

KG

TP(D), TPE(D), TPE2 (D), TPE3 (D), NK, NK(G)E, NB, NB(G)E, MTB
Пайдалануу боюнча колдонмо

Аталган жабдууну пайдалануу боюнча колдонмо курамдык жана өзүнө бир нече бөлүкчөнү камтыйт:

1-Бөлүк: «Пайдалануу боюнча колдонмо»

2-Бөлүк: «Паспорт. Пайдалануу жана монтаж боюнча колдонмо» электрондук бөлүгү Грундфос компаниянын сайтында жайгашкан. Документтин аягында көрсөтүлгөн шилтемеге кайрылыңыз.

3-Бөлүк: жабдуунун фирмалык тақтасында жайгашкан даярдоо мөөнөтү тууралуу маалымат.

Шайкештик жөнүндө декларация

TP(D), TPE(D), TPE2 (D), TPE3 (D), NK, NK(G)E, NB, NB(G)E, MTB түрүндөгү соргучтар Бажы Биримдиктин Техникалык регламенттин талаптарына ылайыктуу тастыкталган: TP ТБ 004/2011 «Төмөн вольттук жабдуунун коопсуздугу жөнүндө»; TP ТБ 010/2011 «Жабдуу жана машиналардын коопсуздугу жөнүндө»; TP ТБ 020/2011 «Техникалык каражаттардын электромагниттик шайкештиги».

ARM

TP(D), TPE(D), TPE2 (D), TPE3 (D), NK, NK(G)E, NB, NB(G)E, MTB
Շահագործման ձեռնարկ

Տվյալ սարքավորման շահագործման ձեռնարկը բաղկացած է մի բանի մասերից.

Մաս 1. սույն «Շահագործման ձեռնարկ»:

Մաս 2. էլեկտրոնային մաս. այն է՝ «Անձնագիր: Մոնտաժման և

շահագործման ձեռնարկ» տեղադրված «Գրունդֆոս». Այսօր փաստաթղթի վերջում նշված հղումով.

Մաս 3. տեղեկություն արտադրման ամսաթվի վերաբերյալ՝ նշված սարքավորման պիտանի վրա:

Տեղեկություններ հավաստագրման մասին՝

TP(D), TPE(D), TPE2 (D), TPE3 (D), NK, NK(G)E, NB, NB(G)E, MTB տիպի պոմպերը սերտիֆիկացված են համաձայն Սաբալյին Միության տեխնիկական կանոնակարգի պահանջների՝ TP TC 004/2011 «Ցածրավոլտ սարքավորումների վերաբերյալ», TP TC 010/2011 «Մեքենաների և սարքավորումների անվտանգության վերաբերյալ»: TP TC 020/2011 «Տեխնիկական միջոցների էլեկտրամագնիսական համատեղելիության վերաբերյալ»:

TP, TPD, TPE, TPED



<http://net.grundfos.com/qr/i/98777373>

NK, NKG, NKE, NKGE



<http://net.grundfos.com/qr/i/96761294>

NB, NBG, NBE, NBGE



<http://net.grundfos.com/qr/i/98848768>

TPE2 (D), TPE3 (D)



<http://net.grundfos.com/qr/i/98701538>

TPE(D), NB(G)E, NK(G)E, TPE(D) серии 2000 до 11 кВт



<http://net.grundfos.com/qr/i/99153908>

TPE(D) серии 2000 свыше 11 кВт



<http://net.grundfos.com/qr/i/98777375>

TPE(D), NK(G)E, NB(G)E свыше 11 кВт



<http://net.grundfos.com/qr/i/98777377>

MTB



<http://net.grundfos.com/qr/i/98848787>

TPE серии 1000, серии 2000



<http://net.grundfos.com/qr/i/99564873>

10000112614	08.2020
ECM: 1293047	

FOR GMR PRODUCTS ONLY

99939422	08.2020
-----------------	---------

Argentina

Bombas GRUNDFOS de Argentina S.A.
Ruta Panamericana km. 37.500/Industin
1619 - Garin Pcia. de B.A.
Tel.: +54-3327 414 444
Fax: +54-3327 45 3190

Australia

GRUNDFOS Pumps Pty. Ltd.
P.O. Box 2040
Regency Park
South Australia 5942
Tel.: +61-8-8461-4611
Fax: +61-8-8340-0155

Austria

GRUNDFOS Pumpen Vertrieb
Ges.m.b.H.
Grundfosstraße 2
A-5082 Grödig/Salzburg
Tel.: +43-6246-883-0
Fax: +43-6246-883-30

Belgium

N.V. GRUNDFOS Bellux S.A.
Boomssesteenweg 81-83
B-2630 Aartselaar
Tel.: +32-3-870 7300
Fax: +32-3-870 7301

Belarus

Представительство ГРУНДФОС в
Минске
220125, Минск
ул. Шафарнянская, 11, оф. 56, БЦ
«Порт»
Тел.: +375 17 397 397 3
+375 17 397 397 4
Факс: +375 17 397 397 1
E-mail: minsk@grundfos.com

Bosnia and Herzegovina

GRUNDFOS Sarajevo
Zmaja od Bosne 7-7A
BiH-71000 Sarajevo
Tel.: +387 33 592 480
Fax: +387 33 590 465
www.ba.grundfos.com
E-mail: grundfos@bih.net.ba

Brazil

BOMBAS GRUNDFOS DO BRASIL
Av. Humberto de Alencar Castelo
Branco, 630
CEP 09850 - 300
São Bernardo do Campo - SP
Tel.: +55-11 4393 5533
Fax: +55-11 4343 5015

Bulgaria

Grundfos Bulgaria EOOD
Slatina District
Iztochna Tangenta street no. 100
BG - 1592 Sofia
Tel.: +359 2 49 22 200
Fax: +359 2 49 22 201
E-mail: bulgaria@grundfos.bg

Canada

GRUNDFOS Canada inc.
2941 Brighton Road
Oakville, Ontario
L6H 6C9
Tel.: +1-905 829 9533
Fax: +1-905 829 9512

China

GRUNDFOS Pumps (Shanghai) Co. Ltd.
10F The Hub, No. 33 Suhong Road
Minhang District
Shanghai 201106 PRC
Tel.: +86 21 612 252 22
Fax: +86 21 612 253 33

Colombia

GRUNDFOS Colombia S.A.S.
Km 1.5 via Siberia-Cota Conj. Potrero
Chico,
Parque Empresarial Arcos de Cota Bod.
1A.
Cota, Cundinamarca
Tel.: +57(1)-2913444
Fax: +57(1)-8764586

Croatia

GRUNDFOS CROATIA d.o.o.
Buzinski prilaz 38, Buzin
HR-10010 Zagreb
Tel.: +385 1 6595 400
Fax: +385 1 6595 499
www.hr.grundfos.com

Czech Republic

GRUNDFOS Sales Czechia and Slovakia
s.r.o.
Čajkovského 21
779 00 Olomouc
Tel.: +420-585-716 111

Denmark

GRUNDFOS DK A/S
Martin Bachs Vej 3
DK-8850 Bjerringbro
Tel.: +45-87 50 50 50
Fax: +45-87 50 51 51
E-mail: info_GDK@grundfos.com
www.grundfos.com/DK

Estonia

GRUNDFOS Pumps Eesti OÜ
Peterburi tee 92G
11415 Tallinn
Tel.: + 372 606 1690
Fax: + 372 606 1691

Finland

OY GRUNDFOS Pumput AB
Trukkikuja 1
FI-01360 Vantaa
Tel.: +358-(0) 207 889 500

France

Pompes GRUNDFOS Distribution S.A.
Parc d'Activités de Chesnes
57, rue de Malacombe
F-38290 St. Quentin Fallavier (Lyon)
Tel.: +33-4 74 82 15 15
Fax: +33-4 74 94 10 51

Germany

GRUNDFOS GMBH
Schlüterstr. 33
40699 Erkrath
Tel.: +49-(0) 211 929 69-0
Fax: +49-(0) 211 929 69-3799
E-mail: infoservice@grundfos.de
Service in Deutschland:
kundendienst@grundfos.de

Greece

GRUNDFOS Hellas A.E.B.E.
20th km. Athinon-Markopoulou Av.
P.O. Box 71
GR-19002 Peania
Tel.: +0030-210-66 83 400
Fax: +0030-210-66 46 273

Hong Kong

GRUNDFOS Pumps (Hong Kong) Ltd.
Unit 1, Ground floor, Siu Wai industrial
Centre
29-33 Wing Hong Street & 68 King Lam
Street, Cheung Sha Wan
Kowloon
Tel.: +852-27861706 / 27861741
Fax: +852-27858664

Hungary

GRUNDFOS Hungária Kft.
Tópark u. 8
H-2045 Törökbalint
Tel.: +36-23 511 110
Fax: +36-23 511 111

India

GRUNDFOS Pumps india Private Limited
118 Old Mahabalipuram Road
Thoraiakkam
Chennai 600 097
Tel.: +91-44 2496 6800

Indonesia

PT GRUNDFOS Pompa
Graha intirub Lt. 2 & 3
Jln. Cililitan Besar No.454. Makasar,
Jakarta Timur
ID-Jakarta 13650
Tel.: +62 21-469-51900
Fax: +62 21-460 6910 / 460 6901

Ireland

GRUNDFOS (Ireland) Ltd.
Unit A, Merrywell Business Park
Ballymount Road Lower
Dublin 12
Tel.: +353-1-4089 800
Fax: +353-1-4089 830

Italy

GRUNDFOS Pompe Italia S.r.l.
Via Gran Sasso 4
I-20060 Truccazzano (Milano)
Tel.: +39-02-95838112
Fax: +39-02-95309290 / 95838461

Japan

GRUNDFOS Pumps K.K.
1-2-3, Shin-Miyakoda, Kita-ku
Hamamatsu
431-2103 Japan
Tel.: +81 53 428 4760
Fax: +81 53 428 5005

Korea

GRUNDFOS Pumps Korea Ltd.
6th Floor, Aju Building 679-5
Yeoksam-dong, Kangnam-ku, 135-916
Seoul, Korea
Tel.: +82-2-5317 600
Fax: +82-2-5633 725

Latvia

SIA GRUNDFOS Pumps Latvia
 Deglava biznesa centrs
 Augusta Deglava ielā 60
 LV-1035, Rīga,
 Tel.: + 371 714 9640, 7 149 641
 Fax: + 371 914 9646

Lithuania

GRUNDFOS Pumps UAB
 Smolensko g. 6
 LT-03201 Vilnius
 Tel.: + 370 52 395 430
 Fax: + 370 52 395 431

Malaysia

GRUNDFOS Pumps Sdn. Bhd.
 7 Jalan Peguam U1/25
 Glenmarie Industrial Park
 40150 Shah Alam, Selangor
 Tel.: +60-3-5569 2922
 Fax: +60-3-5569 2866

Mexico

Bombas GRUNDFOS de México
 S.A. de C.V.
 Boulevard TLC No. 15
 Parque industrial Stiva Aeropuerto
 Apodaca, N.L. 66600
 Tel.: +52-81-8144 4000
 Fax: +52-81-8144 4010

Netherlands

GRUNDFOS Netherlands
 Veluwezoom 35
 1326 AE Almere
 Postbus 22015
 1302 CA ALMERE
 Tel.: +31-88-478 6336
 Fax: +31-88-478 6332
 E-mail: info_gnl@grundfos.com

New Zealand

GRUNDFOS Pumps NZ Ltd.
 17 Beatrice Tinsley Crescent
 North Harbour Industrial Estate
 Albany, Auckland
 Tel.: +64-9-415 3240
 Fax: +64-9-415 3250

Norway

GRUNDFOS Pumper A/S
 Strømsveien 344
 Postboks 235, Leirdal
 N-1011 Oslo
 Tel.: +47-22 90 47 00
 Fax: +47-22 32 21 50

Poland

GRUNDFOS Pompy Sp. z o.o.
 ul. Klonowa 23
 Baranowo k. Poznania
 PL-62-081 Przemierowo
 Tel.: (+48-61) 650 13 00
 Fax: (+48-61) 650 13 50

Portugal

Bombas GRUNDFOS Portugal, S.A.
 Rua Calvet de Magalhães, 241
 Apartado 1079
 P-2770-153 Paço de Arcos
 Tel.: +351-21-440 76 00
 Fax: +351-21-440 76 90

Romania

GRUNDFOS Pompe România SRL
 S-PARK BUSINESS CENTER, Clădirea
 A2, etaj 2
 Str. Tipografilor, Nr. 11-15, Sector 1, Cod
 013714
 Bucuresti, Romania
 Tel.: 004 021 2004 100
 E-mail: romania@grundfos.ro

Russia

ООО Грундфос Россия
 ул. Школьная, 39-41
 Москва, RU-109544, Russia
 Тел. (+7) 495 564-88-00 (495) 737-30-00
 Факс (+7) 495 564 8811
 E-mail grundfos.moscow@grundfos.com

Serbia

Grundfos Srbija d.o.o.
 Omladinskih brigada 90b
 11070 Novi Beograd
 Tel.: +381 11 2258 740
 Fax: +381 11 2281 769
 www.rs.grundfos.com

Singapore

GRUNDFOS (Singapore) Pte. Ltd.
 25 Jalan Tukang
 Singapore 619264
 Tel.: +65-6681 9688
 Fax: +65-6681 9689

Slovakia

GRUNDFOS s.r.o.
 Prievozská 4D 821 09 BRATISLAVA
 Tel.: +421 2 5020 1426
 sk.grundfos.com

Slovenia

GRUNDFOS LJUBLJANA, d.o.o.
 Leskoškova 9e, 1122 Ljubljana
 Tel.: +386 (0) 1 568 06 10
 Fax: +386 (0)1 568 06 19
 E-mail: tehnika-si@grundfos.com

South Africa

GRUNDFOS (PTY) LTD
 16 Lascelles Drive, Meadowbrook Estate
 1609 Germiston, Johannesburg
 Tel.: (+27) 10 248 6000
 Fax: (+27) 10 248 6002
 E-mail: lgradidge@grundfos.com

Spain

Bombas GRUNDFOS España S.A.
 Camino de la Fuenteccilla, s/n
 E-28110 Algete (Madrid)
 Tel.: +34-91-848 8800
 Fax: +34-91-628 0465

Sweden

GRUNDFOS AB
 Box 333 (Lunnagårdsgatan 6)
 431 24 Mölndal
 Tel.: +46 31 332 23 000
 Fax: +46 31 331 94 60

Switzerland

GRUNDFOS Pumpen AG
 Bruggacherstrasse 10
 CH-8117 Fällanden/ZH
 Tel.: +41-44-806 8111
 Fax: +41-44-806 8115

Taiwan

GRUNDFOS Pumps (Taiwan) Ltd.
 7 Floor, 219 Min-Chuan Road
 Taichung, Taiwan, R.O.C.
 Tel.: +886-4-2305 0868
 Fax: +886-4-2305 0878

Thailand

GRUNDFOS (Thailand) Ltd.
 92 Chalome Phrakiat Rama 9 Road
 Dokmai, Pravej, Bangkok 10250
 Tel.: +66-2-725 8999
 Fax: +66-2-725 8998

Turkey

GRUNDFOS POMPA San. ve Tic. Ltd.
 Sti.
 Gebze Organize Sanayi Bölgesi
 Ihsan dede Caddesi
 2. yol 200. Sokak No, 204
 41490 Gebze/ Kocaeli
 Tel.: +90 - 262-679 7979
 Fax: +90 - 262-679 7905
 E-mail: satis@grundfos.com

Ukraine

ТОВ "ГРУНДФОС УКРАЇНА"
 Бізнес Центр Європа
 Столицне шосе, 103
 м. Київ, 03131, Україна
 Tel.: (+38 044) 237 04 00
 Fax: (+38 044) 237 04 01
 E-mail: ukraine@grundfos.com

United Arab Emirates

GRUNDFOS Gulf Distribution
 P.O. Box 16768
 Jebel Ali Free Zone, Dubai
 Tel.: +971 4 8815 166
 Fax: +971 4 8815 136

United Kingdom

GRUNDFOS Pumps Ltd.
 Grovebury Road
 Leighton Buzzard/Beds. LU7 4TL
 Tel.: +44-1525-850000
 Fax: +44-1525-850011

U.S.A.

Global Headquarters for WU
 856 Koomey Road
 Brookshire, Texas 77423 USA
 Phone: +1-630-236-5500

Uzbekistan

Grundfos Tashkent, Uzbekistan
 The Representative Office of Grundfos
 Kazakhstan in Uzbekistan
 38a, Oybek street, Tashkent
 Tel.: (+998) 71 150 3290 / 71 150 3291
 Fax: (+998) 71 150 3292

98465090 11.2022

ECM: 1347687

www.grundfos.com

GRUNDFOS 