

# Diaphragm TANK

8 - 33 L

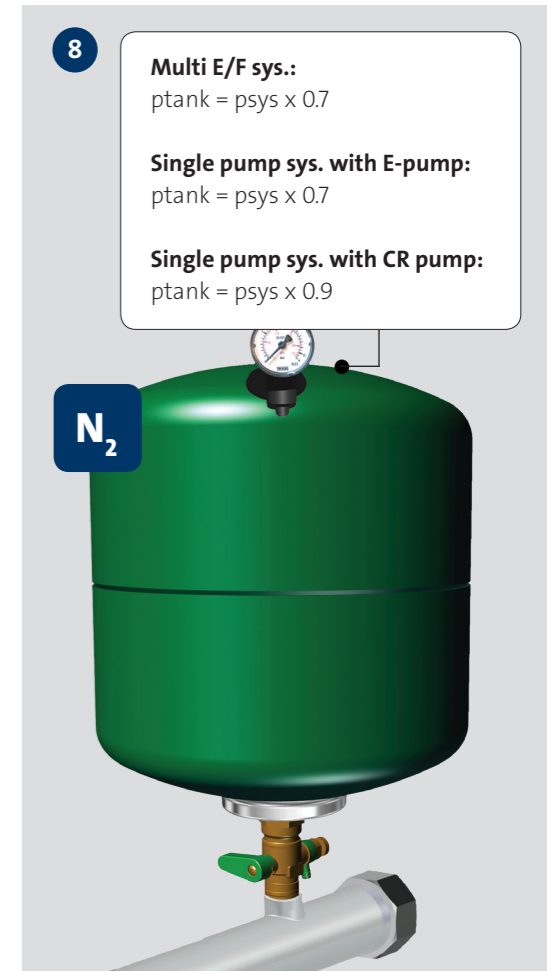
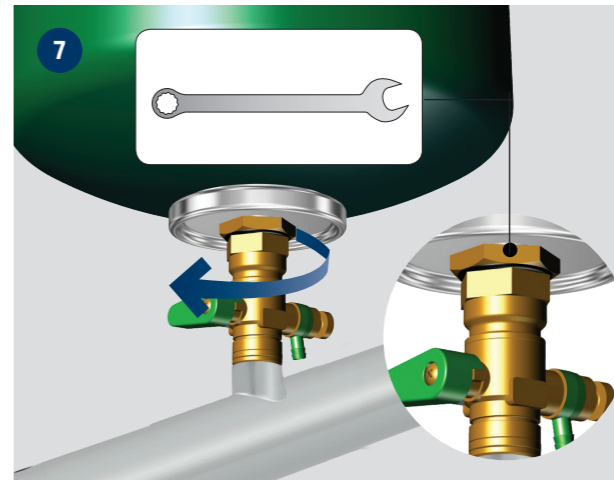
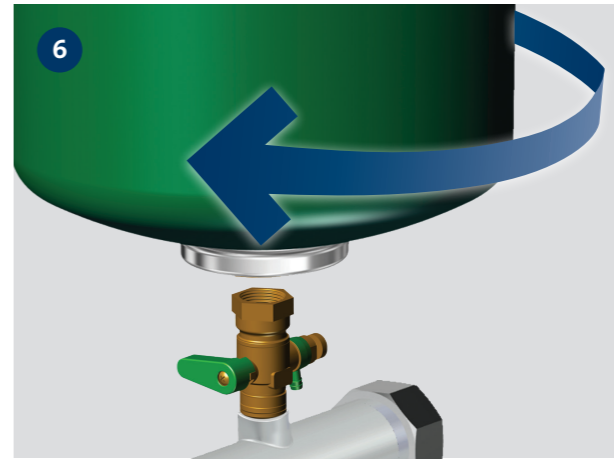
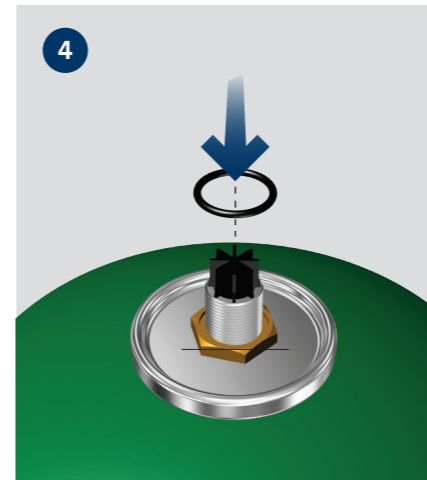
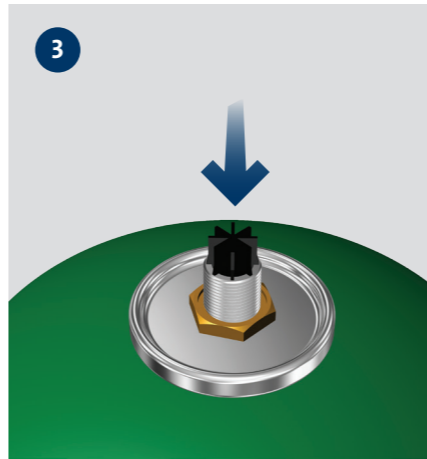
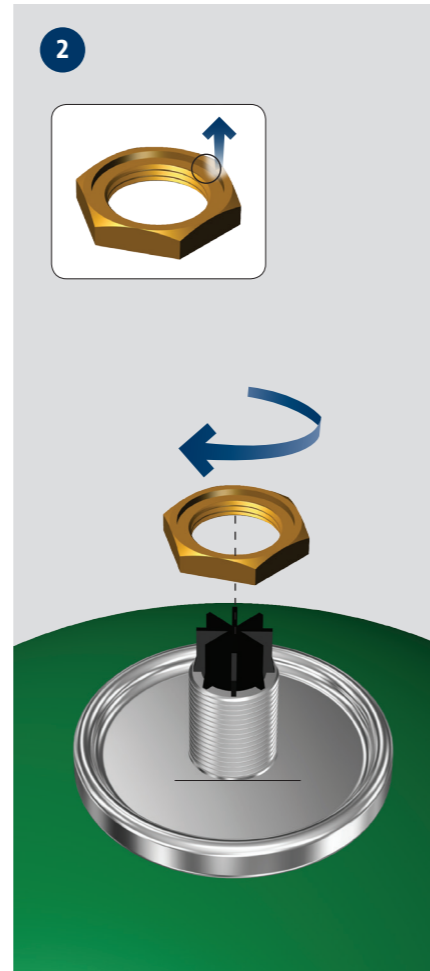
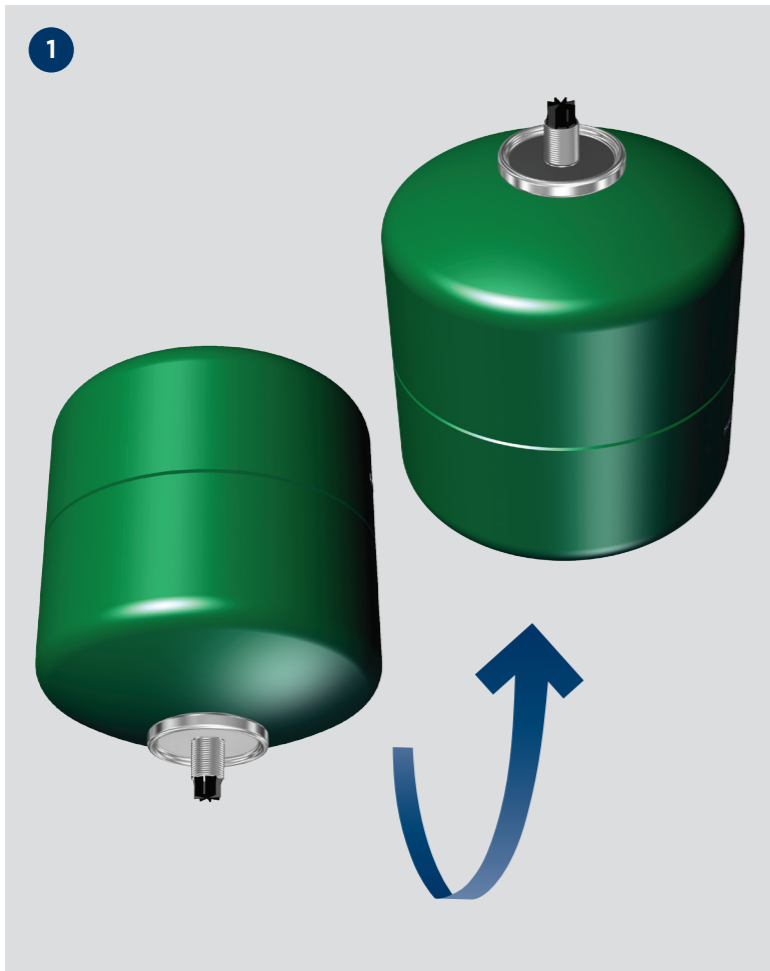


be  
think  
innovate

**GRUNDFOS** 

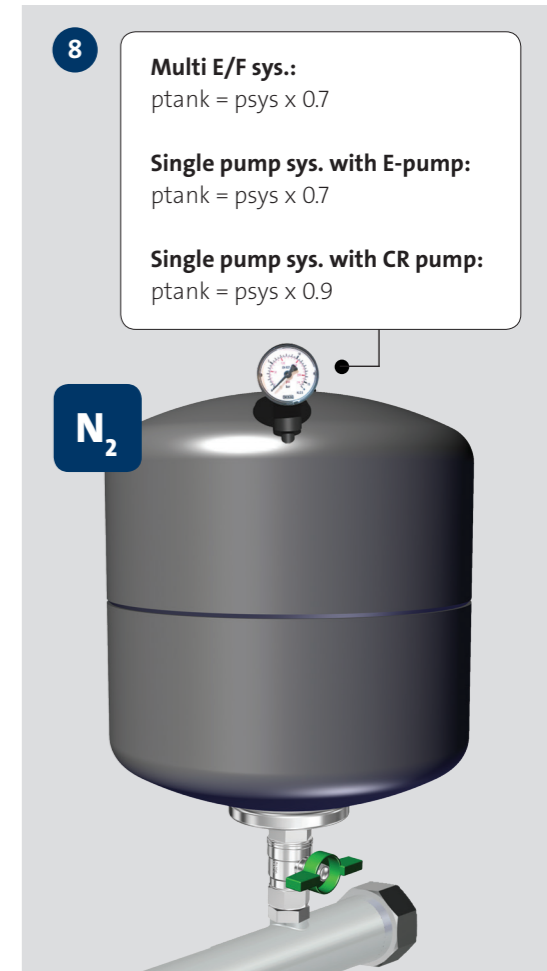
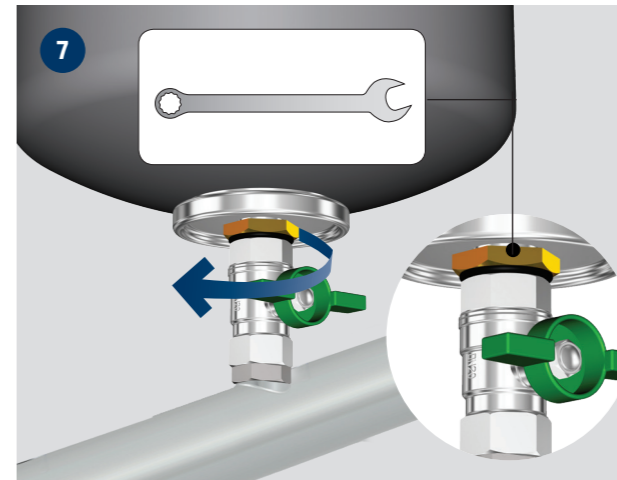
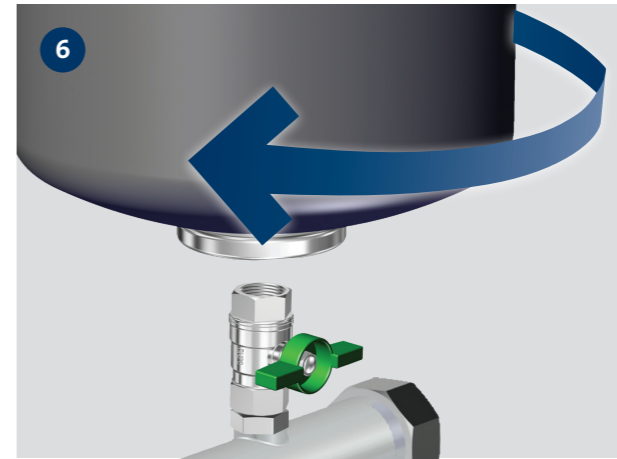
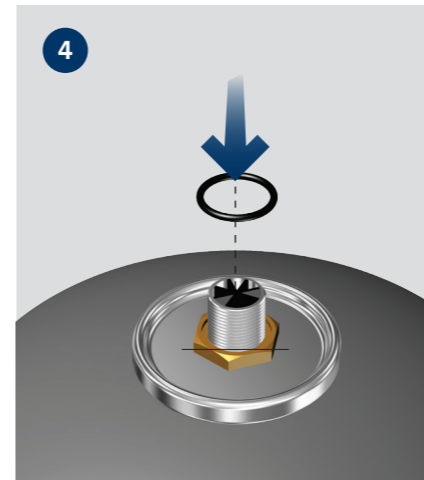
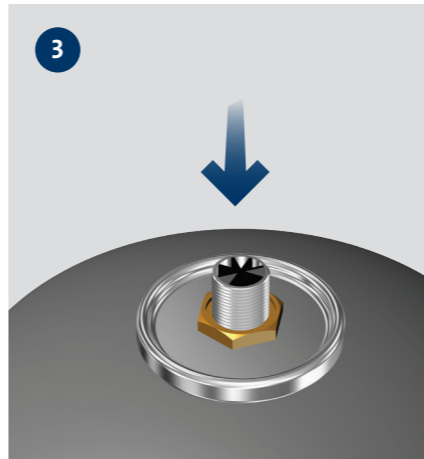
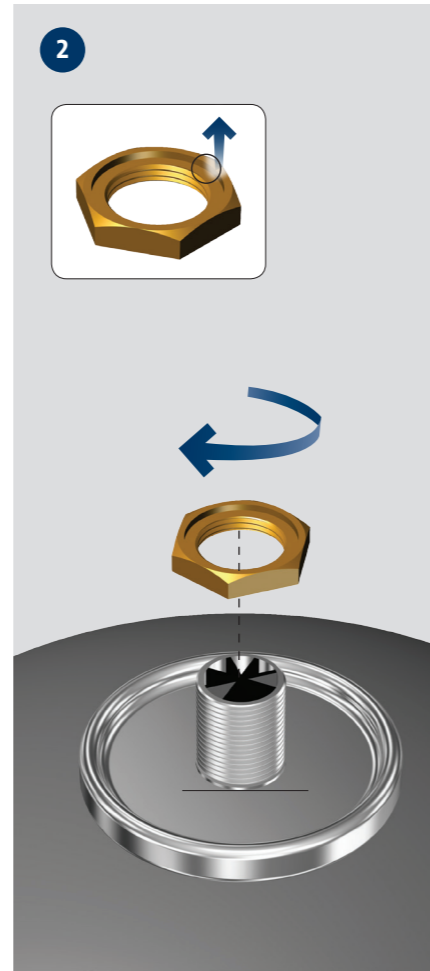
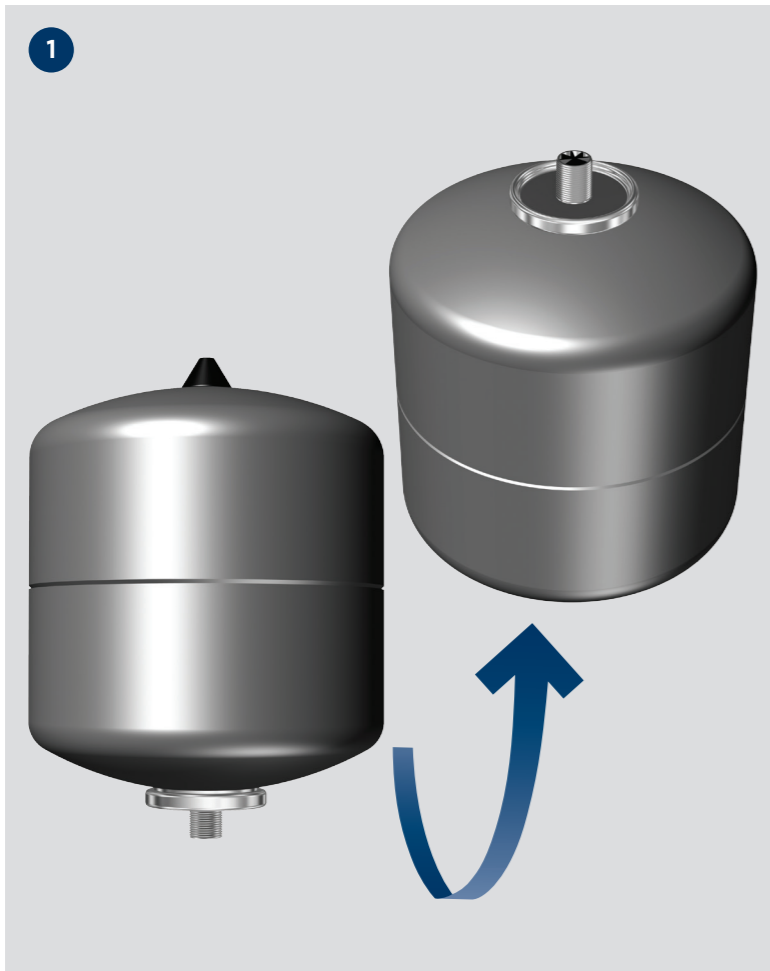
GREEN  
REFLEX

GRAY  
REFLEX



GREEN  
REFLEX

GRAY  
REFLEX



GREEN  
REFLEX

GRAY  
REFLEX



98817081 0515

ECM: 1147543

be think innovate

**GRUNDFOS** 

The name Grundfos, the Grundfos logo, and the payoff be think innovate, are registered trademarks owned by Grundfos Holding A/S or Grundfos A/S, Denmark. All rights reserved worldwide.