

91. TPE2, TPE2 D, TPE3, TPE3 D

50/60 Hz

Impeller

Pump type		TPE2, TPE2 D, TPE3, TPE3 D					
		32	40	50	65	80	100
Pos.	Kit No	98660094	98660095	98660096	98660097	98660098	98660098
11	Key	1	1	1	1	1	1
45	Neck ring	1	1	1	1	1	1
49	Impeller	1	1	1	1	1	1
66a	Lock washer	1	1	1	1	1	1
67	Locking nut	1	1	1	1	1	1

Pump housing

Pump type		TPE2							
		32	40	50	65	80	100		
Pos.	Type	PN 6, 10, 16				PN 6	PN 10, 16	PN 6	PN 10, 16
	Kit No	98660054	98660055	98660056	98660057	98660058	98660059	98660060	98660061
6	Pump housing	1	1	1	1	1	1	1	1

Pump type		TPE2 D							
		32	40	50	65	80	100		
Pos.	Type	PN 6, 10, 16				PN 6	PN 10, 16	PN 6	PN 10, 16
	Kit No	98660070	98660071	98660072	98660073	98660074	98660075	98660076	98660077
6	Pump housing	1	1	1	1	1	1	1	1

Pump type		TPE3							
		32	40	50	65	80	100		
Pos.	Type	PN 6, 10, 16				PN 6	PN 10, 16	PN 6	PN 10, 16
	Kit No	98660062	98660063	98660064	98660065	98660066	98660067	98660068	98660069
6	Pump housing	1	1	1	1	1	1	1	1

Pump type		TPE3 D							
		32	40	50	65	80	100		
Pos.	Type	PN 6, 10, 16				PN 6	PN 10, 16	PN 6	PN 10, 16
	Kit No	98660078	98660079	98660080	98660081	98660082	98660083	98660084	98660085
6	Pump housing	1	1	1	1	1	1	1	1

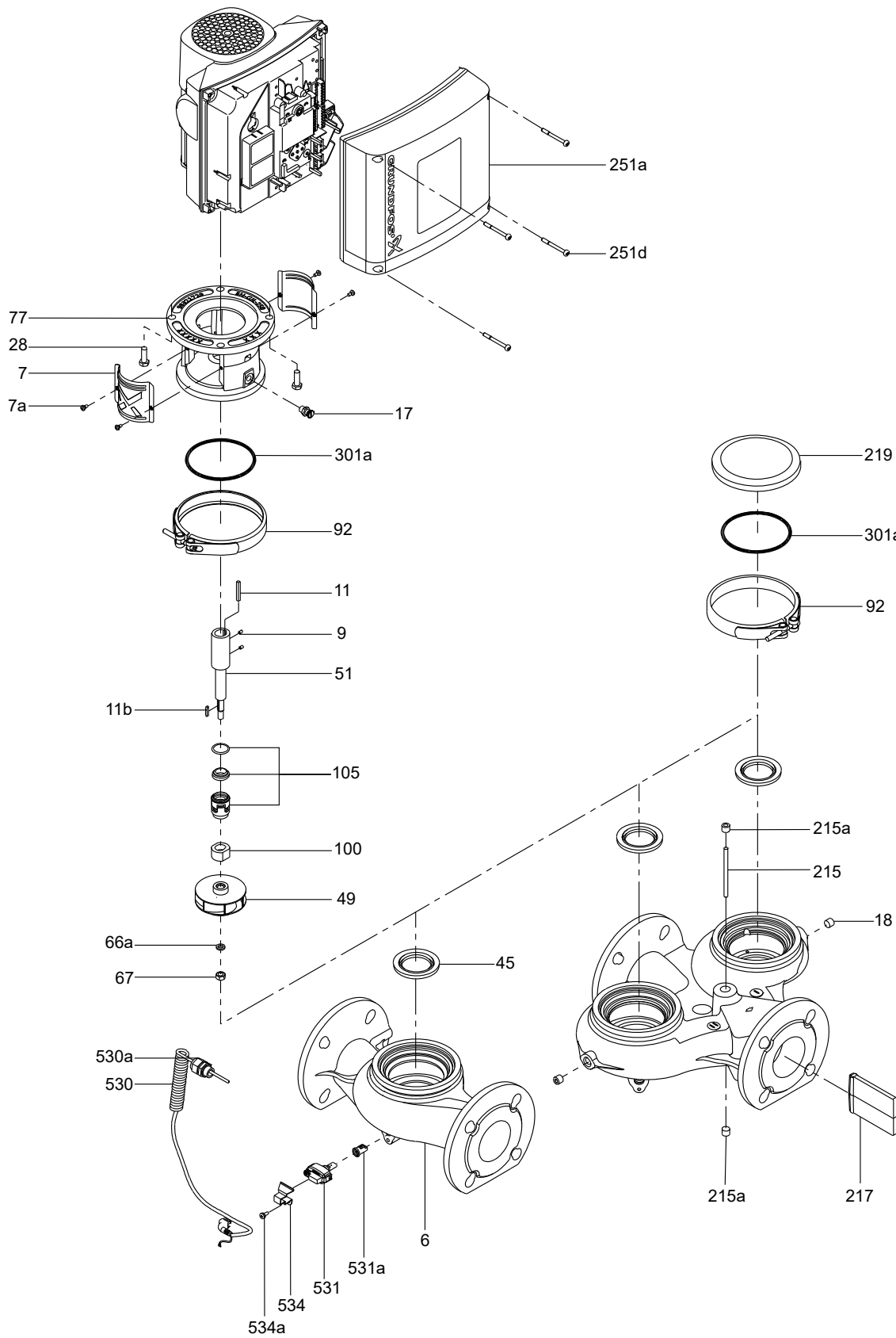
Shaft seal

Pump type		TPE2, TPE2 D, TPE3, TPE3 D					
		32, 40, 50, 65, 80, 100					
Pos.	Kit No	98660102	98660103	98660104	98660105	98660106	98660107
	Type	BUBE	BQQE	GQQE	BUBV	BQQV	GQQV
301a	O-ring	1	1	1	1	1	1
105	Shaft seal	1	1	1	1	1	1

Two-way flap

Pump type		TPE2 D, TPE3 D					
		32	40	50	65	80	100
Pos.	Kit No	98660108	98660109	98660110	98660111	98660112	98660113
215	Guide pin	1	1	1	1	1	1
215a	Plug	2	2	2	2	2	2
217	Valve flap	1	1	1	1	1	1

TPE2, TPE2 D, TPE3, TPE3 D



TM058625

Air vent screw

Pump type		TPE2, TPE2 D, TPE3, TPE3 D
		32, 40, 50, 65, 80, 100
Pos.	Kit No	98164277
17	Air vent screw	1

Clamp

Pump type		TPE2, TPE2 D, TPE3, TPE3 D
		32, 40, 50, 65, 80, 100
Pos.	Kit No	98660114
92	Clamp	1

Motor stool

Pump type		TPE2, TPE2 D, TPE3, TPE3 D
		32, 40, 50, 65, 80, 100
Pos.	Kit No	98660053
77	Motor stool	1

O-ring

Pump type		TPE2, TPE2 D, TPE3, TPE3 D	
		32, 40, 50, 65, 80, 100	
Pos.	Kit No	98660099	98811502
	Type	EPDM	FKM
301a	O-ring	1	1

Sensor and cable

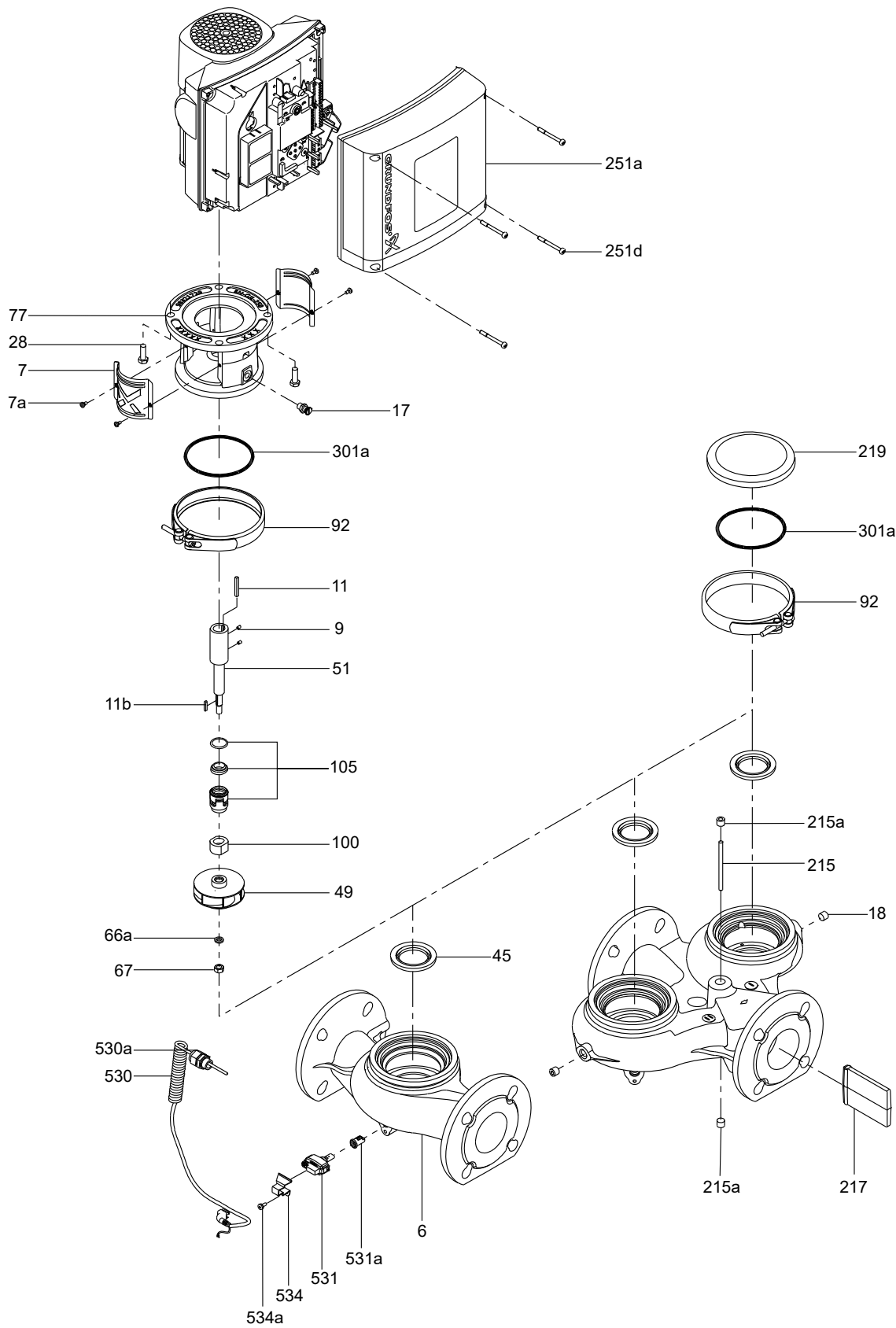
Pump type		TPE3, TPE3 D
		32, 40, 50, 65, 80, 100
Pos.	Kit No	98802463
	Type	DPS
530	Cable	1
531	Sensor	1
531a	Sealing cap	1
534	Bracket	1
534a	Screw	1

Choose the shaft according to the pump production date.

Shaft

Before week 39, 2016			
Pump type		TPE2, TPE2 D, TPE3, TPE3 D	
		32, 40, 50, 65, 80, 100	
Pos.	Kit No	98660100	98660101
	Type	EN 1.4301	EN 1.4401
9	Set screw	3	3
11	Key	1	1
51	Shaft	1	1
From week 39, 2016			
Pump type		TPE2, TPE2 D, TPE3, TPE3 D	
		32, 40, 50, 65, 80, 100	
Pos.	Kit No	99131304	99131305
	Type	EN 1.4301	EN 1.4401
9	Set screw	3	3
11	Key	1	1
51	Shaft	1	1

TPE2, TPE2 D, TPE3, TPE3 D



TM058625