

54. MTS

MTS, model A/B

Bare-shaft pump end

Model	Description	Kit No
MTS 20	R28 DQ Tank top, Pipe	98486932
	R38 DQ Tank top, Pipe	98488444
	R46 DQ Tank top, Pipe	98488588
	R56 DQ Tank top, Pipe	98488615
	R28 D8.6 Dry installed, SAE	98488731
	R38 D8.6 Dry installed, SAE	98488736
	R46 D8.6 Dry installed, SAE	98488738
	R56 D8.6 Dry installed, SAE	98488740
MTS 40	R38 DQ Tank top, Pipe	98488617
	R46 DQ Tank top, Pipe	98488619
	R38 D8.6 Dry installed, SAE	98488798
	R46 D8.6 Dry installed, SAE	98488800
MTS 80	R36 DQ Tank top, Pipe	98488641
	R46 DQ Tank top, Pipe	98488684
	R36 D8.6 Dry installed, SAE	98488812
	R46 D8.6 Dry installed, SAE	98488813
MTS 140	R39 DQ Tank top, Pipe	98488706
	R46 DQ Tank top, Pipe	98488707
	R39 D8.6 Dry installed, SAE	98488814
	R46 D8.6 Dry installed, SAE	98488815
MTS 210	R40 D8.6 Dry installed, SAE	98488817
	R46 D8.6 Dry installed, SAE	98488832
MTS 280	R43 D8.6 Dry installed, SAE	98488833
	R46 D8.6 Dry installed, SAE	98488835
MTS 440	R40 D8.6 Dry installed, SAE	98488836
	R46 D8.6 Dry installed, SAE	98488838

Coupling MG 160 - MTS 20/40/80

Content description	Kit No
Coupling half for motor 42x45	
Coupling half for pump 19x45	96960307
Coupling inner part	

Mechanical seal

Description	Pos. No	Kit No
MTS 20/40/80 D8,6		96895832
MTS 140/210 D8,6	186	96895833
MTS 280 D8,6		96895834
MTS 440 D8,6		96895835

Shaft seal ring

Description	Pos. No	Kit No
MTS 20/40/80 DQ	183	96895819
MTS 140 DQ		96895821

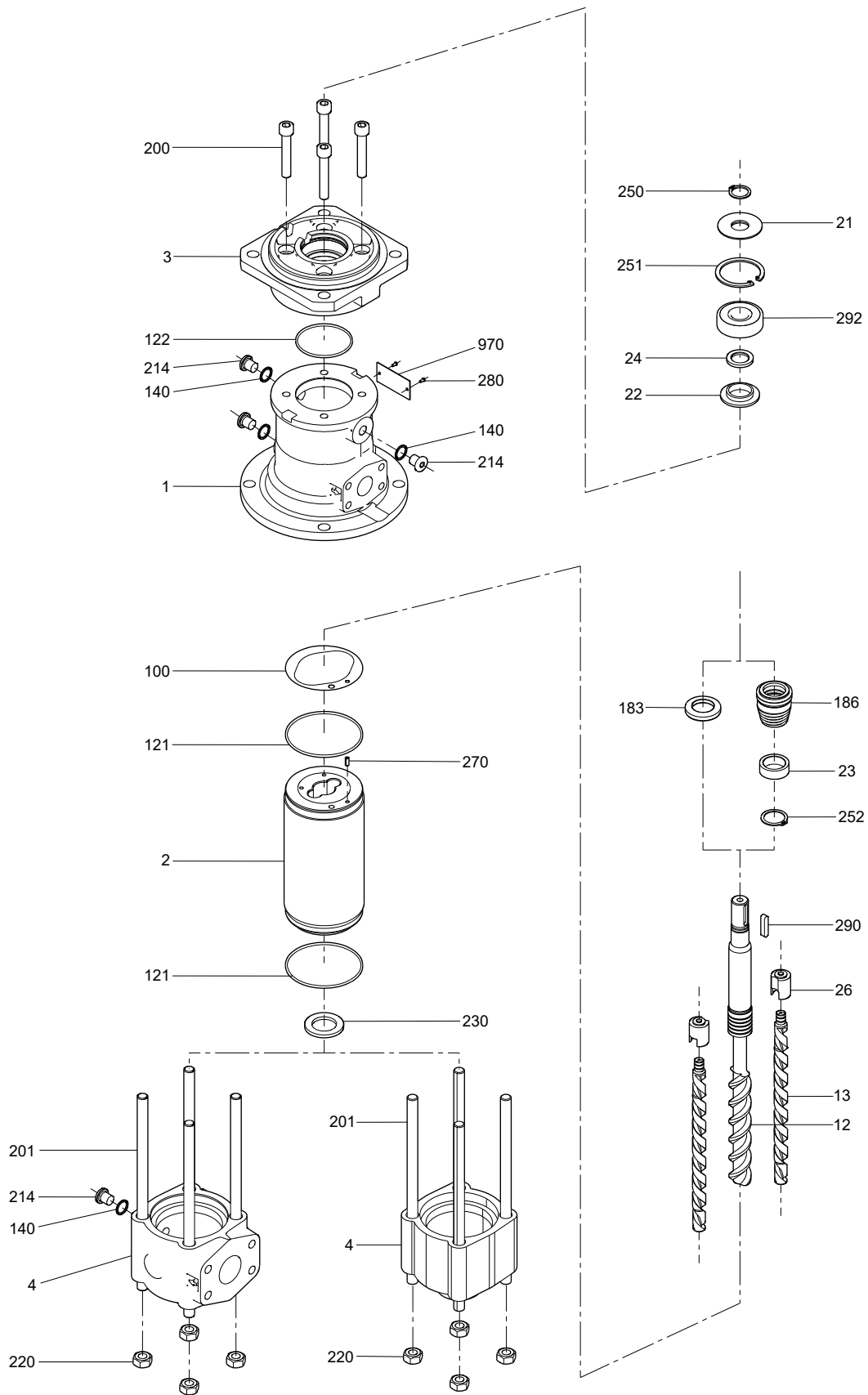
Wear part kit

Description	Kit No
MTS 20	96895836
MTS 40	96895837
MTS 80	96895838
MTS 140	96895839
MTS 210	96895840
MTS 280	96895841
MTS 440	96895852

Wear part kit content	Pos. No
Pressure balancing bush	26
Gasket ¹⁴³⁾	100
O-rings	121, 122
Seal ring	140
Thrust disc ¹⁴³⁾	230
Circlip ¹⁴³⁾	252
Deep-groove ball bearing	292

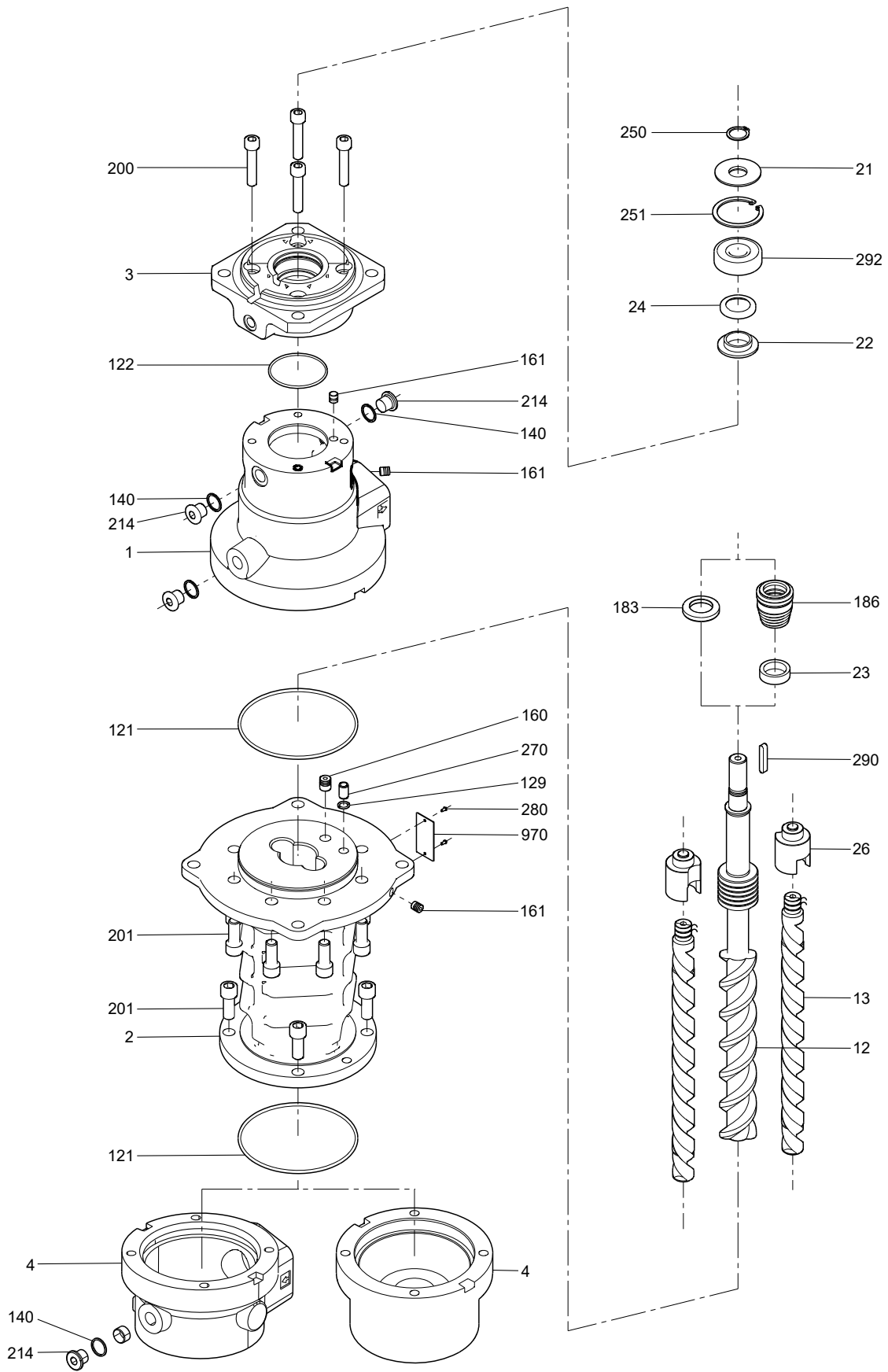
¹⁴ Only for models MTS 20, 40.
³⁾

MTS 20, 40, model A/B



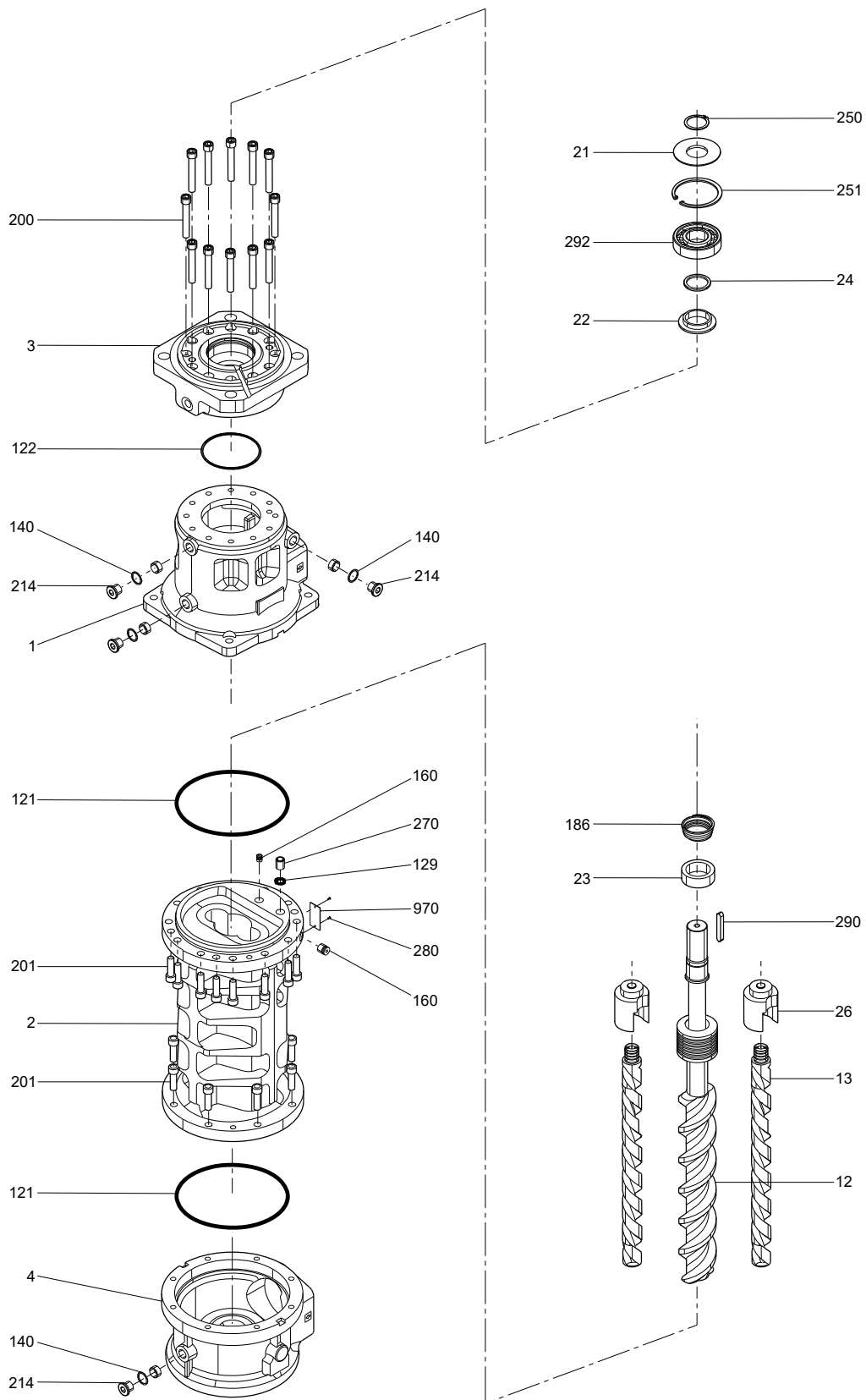
TM042629

MTS 80, 140, model A



TM042630

MTS 210, 280, 440, model A



TM052575

MTS, model C

Bare-shaft pump end

Model	Description	Kit No
MTS 20	R28 DQ Tank top, Pipe	98486932
	R38 DQ Tank top, Pipe	98488444
	R46 DQ Tank top, Pipe	98488588
	R56 DQ Tank top, Pipe	98488615
	R28 D8.6 Dry installed, SAE	98488731
	R38 D8.6 Dry installed, SAE	98488736
	R46 D8.6 Dry installed, SAE	98488738
	R56 D8.6 Dry installed, SAE	98488740
MTS 40	R38 DQ Tank top, Pipe	98488617
	R46 DQ Tank top, Pipe	98488619
	R38 D8.6 Dry installed, SAE	98488798
	R46 D8.6 Dry installed, SAE	98488800

Coupling MG 160 - MTS 20/40/80

Content description	Kit No
Coupling half for motor 42x45	
Coupling half for pump 19x45	96960307
Coupling inner part	

Hose kit - MTS 20/40

Content description	Pos. No	Kit No
Hose (160 mm, transparent)	420	99791312
Quick adapter	400	

Shaft seal ring

Description	Pos. No	Kit No
MTS 20	183	99791291
MTS 40		99791292

Mechanical seal

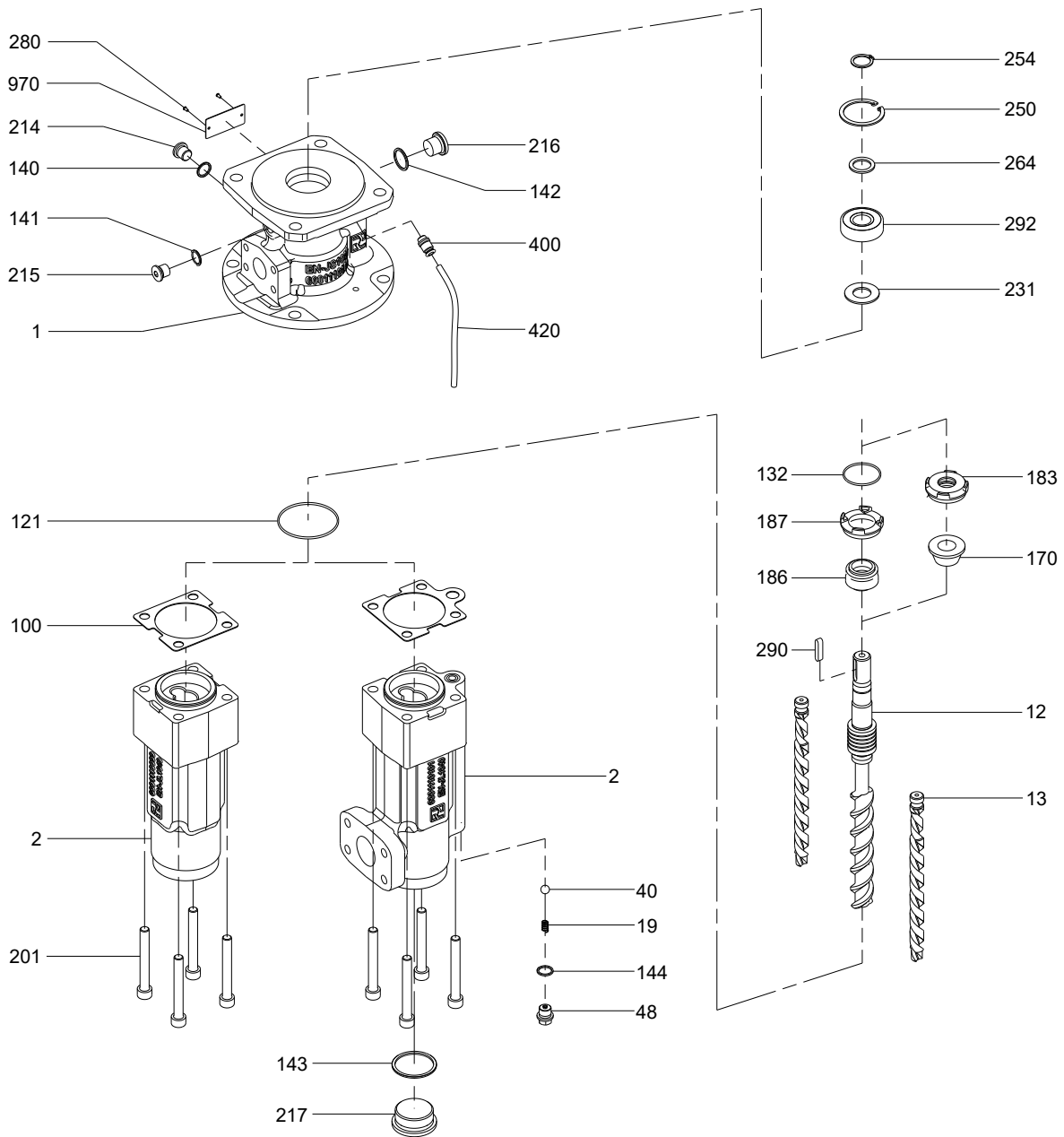
Description	Pos. No	Kit No
MTS 20	186	99791303
MTS 40		99791304

Wear part kit

Description	Kit No
MTS 20	99791305
MTS 40	99791310

Wear part kit content	Pos. No
Gasket	100
O-rings	121, 132
Seal rings	140, 141, 142, 143, 144
Secondary seal	170
Disk	231
Circlips	250, 254
Supporting washer	264
Shaft key	290
Bearing	292

MTS 20, 40



TM076253