

## 20. CR SF

### CRN 2 SF

#### 50/60 Hz, model D

#### Chamber stack complete

Consists of items: 4, 4a, 5a, 47a, 49, 51, 61, 64, 64b, 64c, 66, 67, 69 Kit No

#### Number of stages

18 (16 impellers)	405226
26 (24 impellers)	405227

#### Coupling complete

Pos.	Kit No	415063
Pos.	Motor/pump shaft diameter [mm]	28/12
Description		
-	Coupling half	2
9	Screw	4
10	Pin	1

#### Impeller and spacing pipe

Pos.	Kit No	405083
Description		
49	Impeller	2
64	Spacing pipe	2

#### Shaft seal

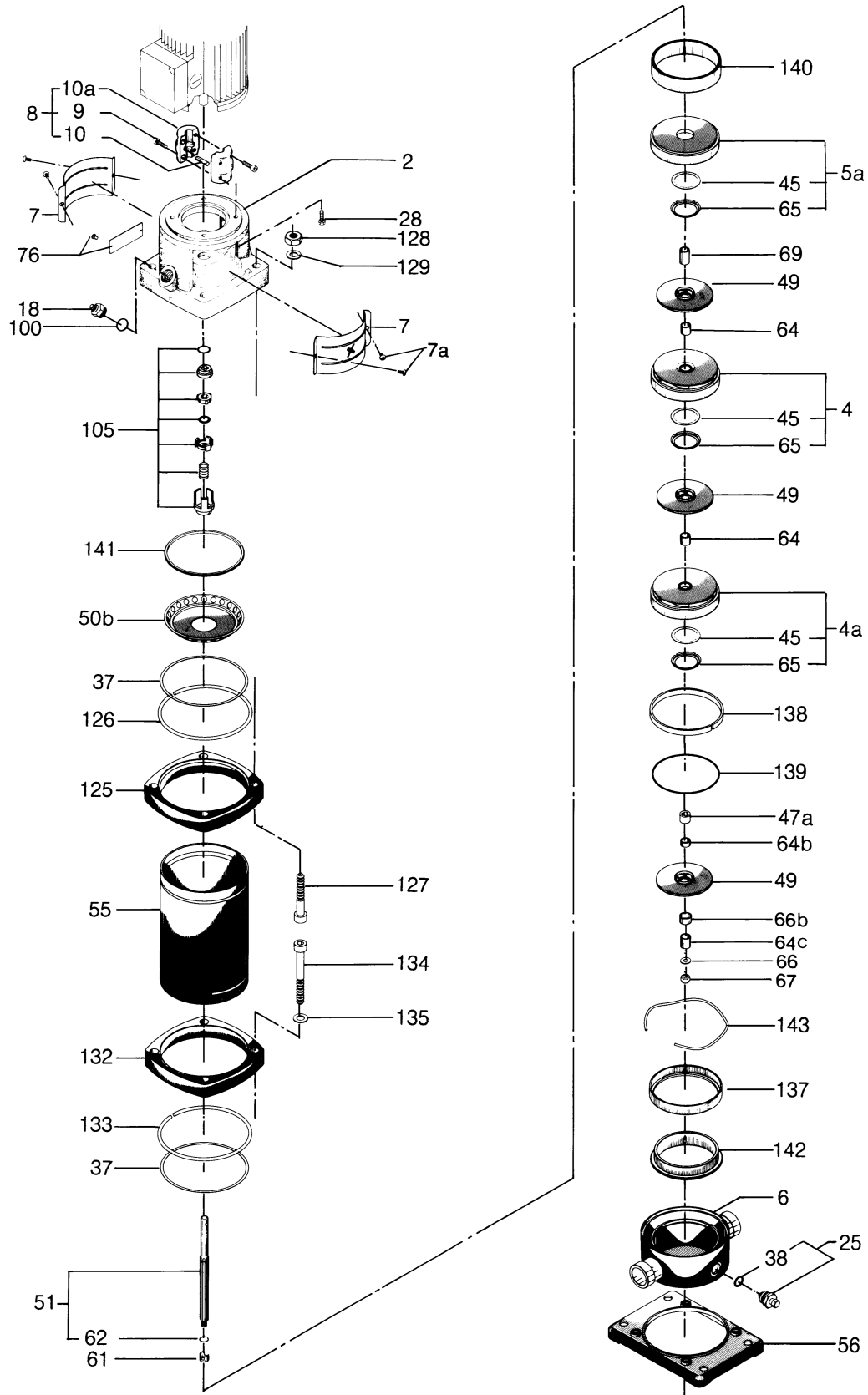
Pos.	Kit No	405145	405146
Description		AUUE/V	AUUE/V
37	Vulcanised sleeve gasket	-	2
105	Shaft seal	1	1

#### Wear parts

Pos.	Description/ Kit No	405147	405148
Number of stages		16	24
4a	Bearing chamber	2	3
37	Vulcanised sleeve gasket	2	2
38	Drain plug gasket <sup>15)</sup>	1	1
45	Neck ring	14	21
47a	Bearing ring	2	3
61	Spacer for shaft seal	1	1
65	Neck ring retainer	14	21
64c	Spacer	1	1
66	Spring washer	1	1
67	Lock nut	1	1
100	O-ring <sup>15)</sup>	1	1

<sup>15)</sup> EPDM and FKM

CRN 2 SF



TM002978

**CRN 4 SF****50/60 Hz, model D****Chamber stack complete**

Consists of items: 4, 4a, 5a, 47a, 49, 51, 61, 64, 64b, 64c, 66, 66b, 67, 69		Kit No
<b>Number of stages</b>		
16 (15 impellers)		415366
22 (21 impellers)		415306

**Coupling complete**

Pos.	Kit No	50 Hz	60 Hz
		415063	415065
	<b>Motor/pump shaft diameter [mm]</b>	28/12	38/12
	<b>Description</b>		
10a	Coupling half	2	2
9	Screw	4	4
10	Pin	1	1

**Impeller**

Pos.	Kit No	415232
	<b>Description</b>	
49	Impeller	2
64	Spacing pipe for impeller	2

**Shaft seal**

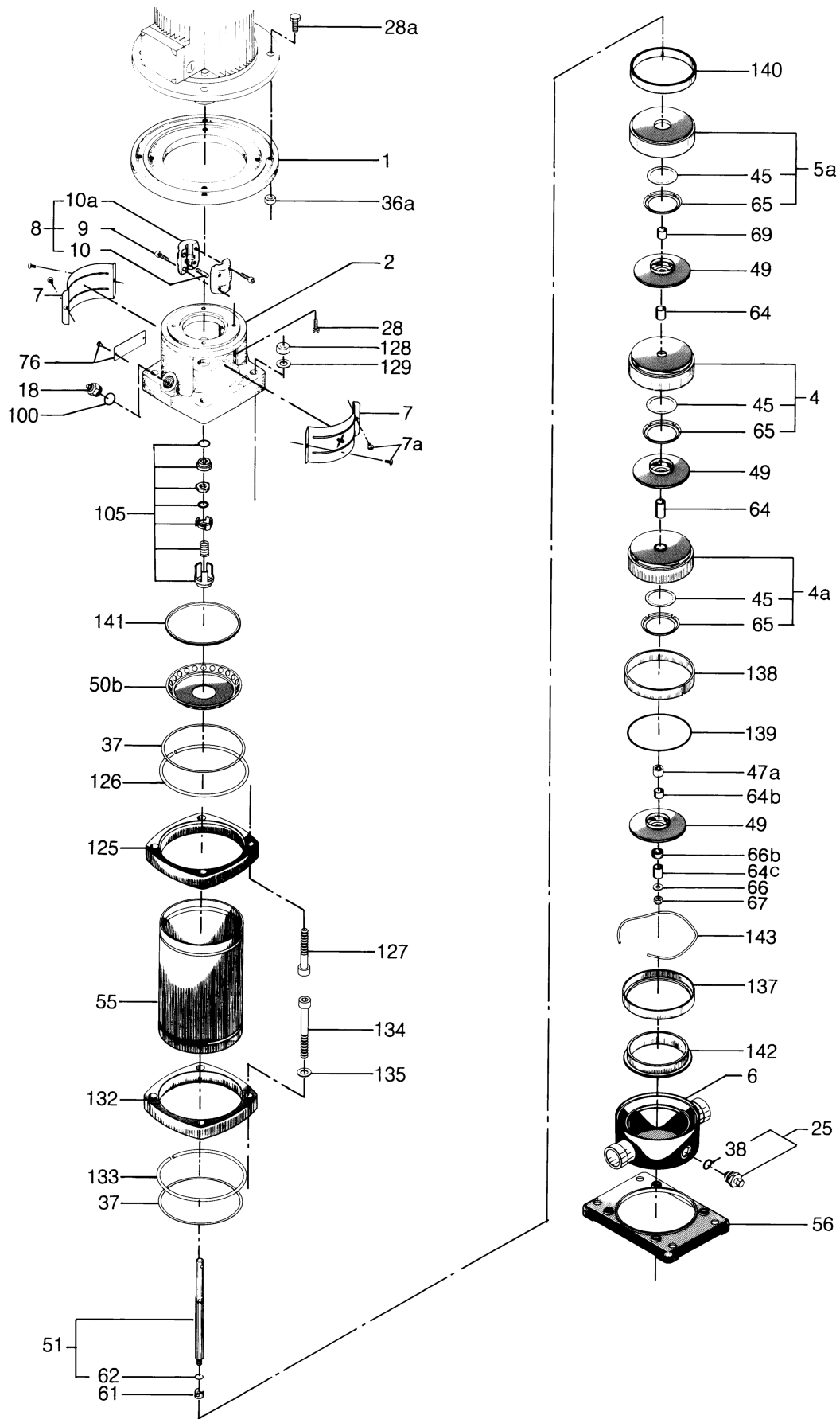
Pos.	Kit No	405145	405146
		AUUE/V	AUUE/V
37	Vulcanised sleeve gasket		2
105	Shaft seal	1	1

**Wear parts**

Pos.	Kit No	416095	416096
		15	21
	<b>Number of stages</b>		
	<b>Description</b>		
4a	Bearing chamber	3	4
37	Vulcanised sleeve gasket	2	2
38	Drain plug gasket <sup>16)</sup>	1	1
45	Neck ring	12	17
47a	Bearing ring	3	4
61	Spacer for shaft seal	1	1
65	Neck ring retainer	12	17
64c	Spacer	1	1
66	Spring washer	1	1
66b	Spacing pipe	1	1
67	Lock nut	1	1
100	O-ring <sup>16)</sup>	1	1

<sup>16)</sup>EPDM and FKM

CRN 4 SF



TM002979

**CRN 5 SF****Chamber stack complete**

Pos.	SiC/SiC bearings	Kit No	
80	24	EPDM	96524994
		FKM	96524995
	34	EPDM	96524996
		FKM	96524997

**Coupling complete**

Kit No		415065	96478700
Pos.	Motor/pump shaft diameter	38/12	34.9/12
Description		NEMA	
9	Screw	4	4
10	Pin	1	1
10a	Coupling half	2	2

**Coupling guard**

Kit No		96505131	96505132
Pos.	Description	MG 90 - 132	NEMA F 182/213 TC
7	Coupling guard	2	2
7a	Screw	4	4

**O-ring**

Kit No		96455090	96455091
Pos.	Description	EPDM	FKM
37	O-ring	2	2
38	O-ring	1	1
100	O-ring	2	2
109	O-ring	1	1

**Plug**

Kit No		96505133	96511103
Pos.	Description	EPDM/FKM	EPDM/FKM/NEMA
18	Vent screw	1	1
23a	Pipe plug	1	1
23b	Pipe plug	1	1
25	Drain plug with bypass valve	1	1
38	O-ring	EPDM	1
		FKM	1
100	O-ring	EPDM	2
		FKM	2

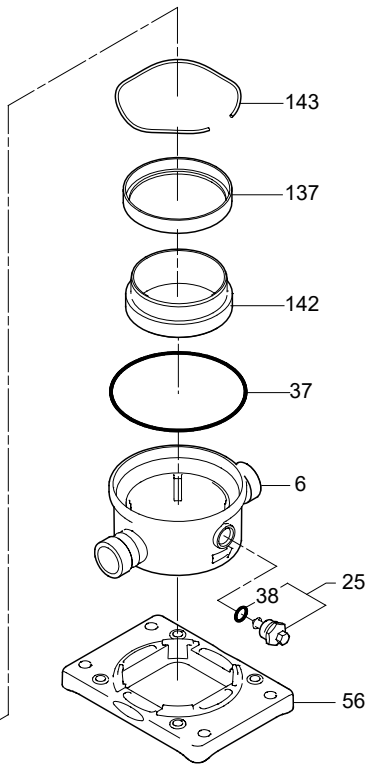
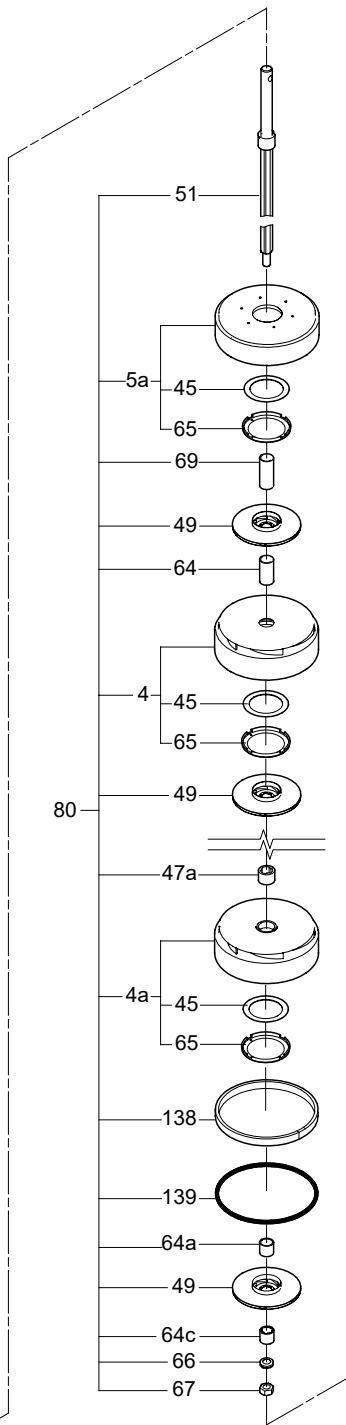
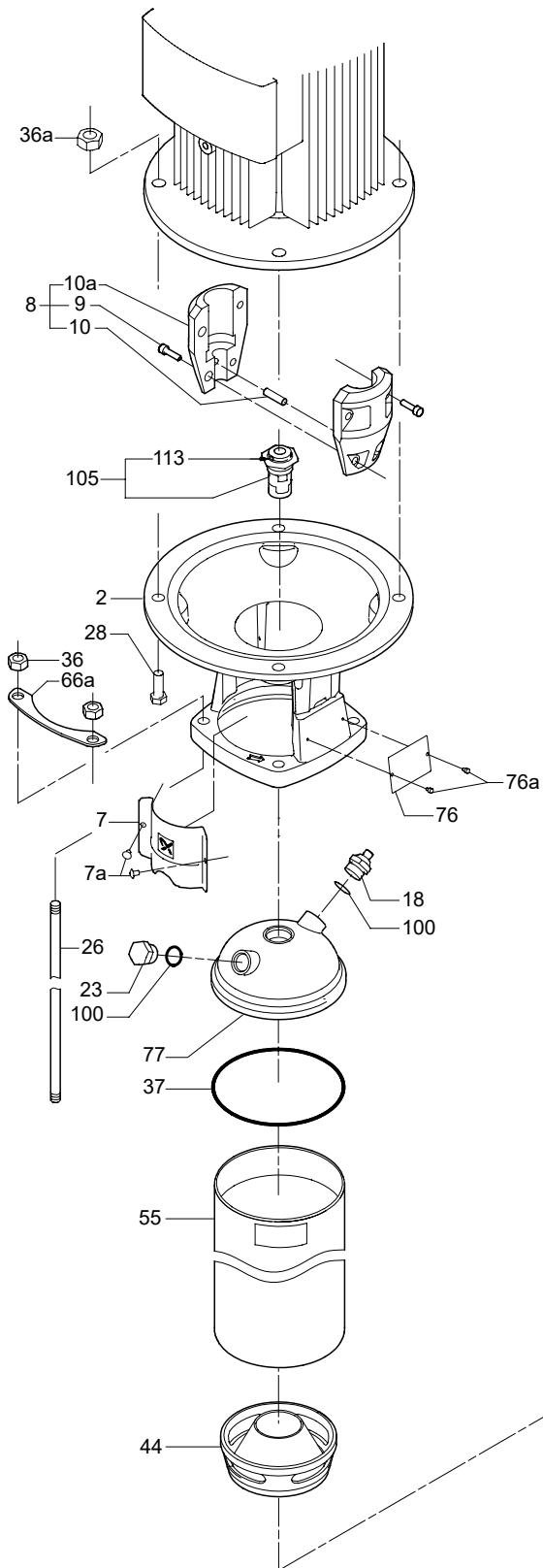
**Shaft seal**

Kit No		96455086	96455087
Pos.	Description	HQQE	HQQV
105	Shaft seal	1	1

**Wear parts (silicon carbide bearings)**

Pos.	Kit No	96524998	96524999
		-24	-34
Description/stages			
4a	Chamber with bearing	5	6
45	Neck ring	24	34
47a	Bearing ring, rotating	5	6
64a	Spacing pipe	5	6
64c	Clamp splined	1	1
65	Neck ring retainer	24	34
66	Lock washer	1	1
67	Lock nut	1	1

CRN 5 SF



TM027623

**CRN 8 SF****50/60 Hz, model B****Chamber stack complete**

Consists of items: 3, 4, 4a, 4b, 67, 66, 64c, 49, 44, 69, 64d, 47a, 64a, 64, 61, 51, 140

	Kit No
<b>Number of stages</b>	
14 (13 impellers)	425606
20 (19 impellers)	425607

**Coupling complete**

	Kit No	339138	339142
<b>Pos.</b>	<b>Motor/pump shaft diameter [mm]</b>	<b>38/16</b>	<b>42/16</b>
	<b>Description</b>		
10a	Coupling half	2	2
9	Screw	4	4
10	Pin	1	1

**Coupling complete, NEMA**

	Kit No	425262	425263
<b>Pos.</b>	<b>Motor/pump shaft diameter [mm]</b>	<b>34.9/16</b>	<b>41.3/16</b>
	<b>Description</b>		
10a	Coupling half	2	2
9	Screw	4	4
10	Pin	1	1

**Shaft seal**

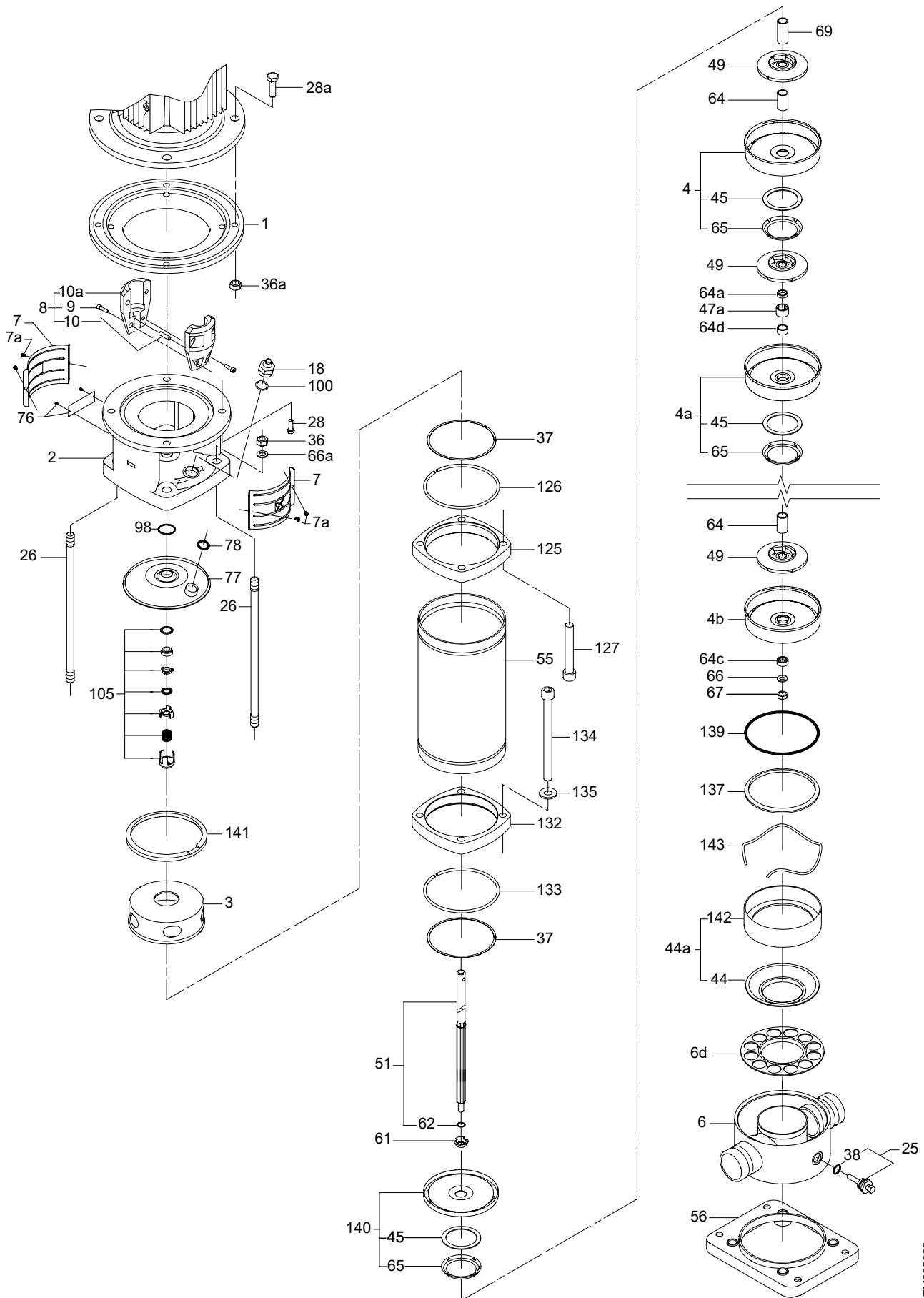
	Kit No	425084	425085
<b>Pos.</b>	<b>Description</b>	<b>AUUE/V</b>	<b>AUUE/V</b>
37	Vulcanised sleeve gasket	-	2
105	Shaft seal	1	1

**Wear parts**

	Kit No	425086	425087
<b>Pos.</b>	<b>Number of stages</b>	<b>13</b>	<b>19</b>
	<b>Description</b>		
4a	Bearing chamber	1	2
4b	Bearing chamber	1	1
37	Vulcanised sleeve gasket	2	2
38	Drain plug gasket <sup>17)</sup>	1	1
45	Neck ring	11	16
47a	Bearing ring	2	3
61	Spacer for shaft seal	1	1
62	Stop ring	1	1
64c	Spacer	1	1
65	Neck ring retainer	11	16
66	Spring washer	1	1
67	Lock nut	1	1
78	O-ring	1	1
98	O-ring	1	1
100	O-ring for vent screw <sup>17)</sup>	1	1

<sup>17)</sup> EPDM and FKM

CRN 8 SF



TM002980



**CRN 10 SF****Chamber stack complete (silicon-carbide bearings)**

Pos.	Number of stages	Kit No	
80	17	EPDM	96524471
		FKM	96525098
	21	EPDM	96524472
		FKM	96525099

**Coupling complete**

Pos.	Description/ Kit No	96511351 96511352	
		Motor/pump shaft diameter [mm]	38/16 42/16
9	Screw	4	4
8	10 Pin	1	1
	10a Coupling half	2	2

**Coupling complete, NEMA**

Pos.	Description/ Kit No	96511356	
		Motor/pump shaft diameter [mm]	41.3/16
9	Screw	4	
8	10 Pin	1	
	10a Coupling half	2	

**Coupling guard**

Pos.	Description	Kit No	
		96509613 96509614	
		MG 132 182TC - 215TC	MG 160 254TC - 284TSC
7	Coupling guard	2	2
7a	Screw	4	4

**O-ring, standard**

Pos.	Description/ Kit No	EPDM	FKM
		96524520	96524521
37	O-ring	2	2
38	O-ring	1	1
38a	O-ring	1	1
46a	O-ring	1	1
46b	O-ring	1	1
100	O-ring	2	2

**O-ring, double seal**

Pos.	Description/ Kit No	EPDM	FKM
		96757608	96757611
37	O-ring	3	3
38	O-ring	-	-
38a	O-ring	1	1
46a	O-ring	1	1
46b	O-ring	1	1
100	O-ring	7	7

**Plug**

Pos.	Description/ Kit No	96511312
18	Vent screw	1
23	Pipe plug	1
25	Drain plug	1
38	O-ring, EPDM + FKM	1 + 1
38a	O-ring, EPDM + FKM	1 + 1

**Plug, NEMA**

Pos.	Description/ Kit No	96511314
18	Vent screw	1
23	Pipe plug	1
23a	Pipe plug 1/4"	1
25	Drain plug	1
38	O-ring, EPDM + FKM	1 + 1
38a	O-ring, EPDM + FKM	1 + 1

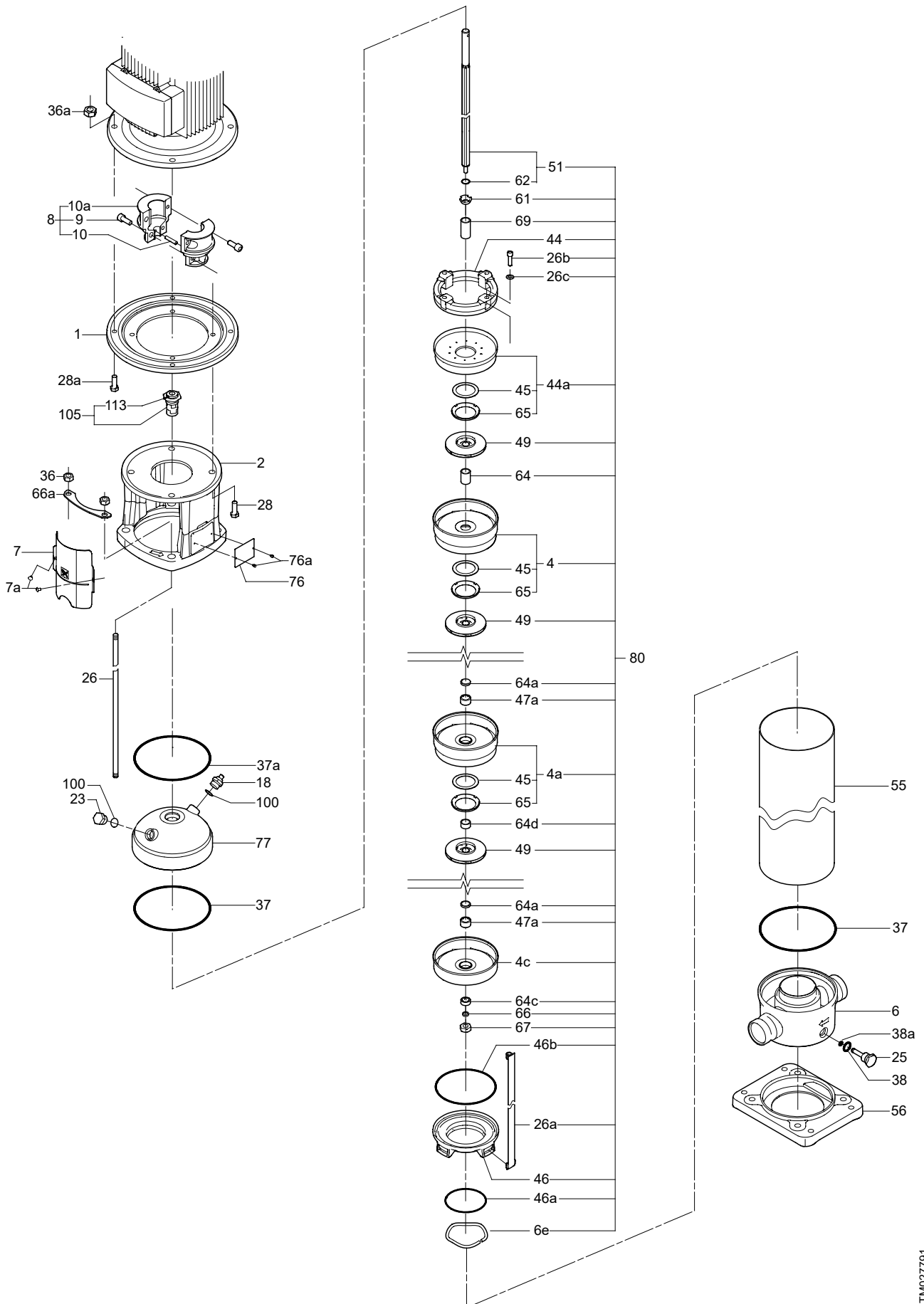
**Shaft seal**

Pos.	Description Kit No	HQQE	HQQV
		96511844	96511845
105	Shaft seal	1	1
-	Adjusting fork	1	1

**Wear parts (silicon-carbide bearings)**

Pos.	Stages Description/ Kit No	-16	-21
		96524409	96524470
4a	Chamber with bearing	2	2
4c	Chamber lower with bearing	1	1
26b	Screw	4	4
26c	Washer	4	4
45	Neck ring	15	19
47a	Bearing ring, rotating	3	3
49c	Impeller wear ring	-	-
61	Seal driver	1	1
62	Stop ring	1	1
64a	Spacing pipe	3	3
64c	Spacer lower	1	1
64d	Spacing pipe	2	2
65	Neck ring retainer	15	19
66	Lock washer	1	1
67	Lock nut	1	1

CRN 10 SF



TM027791

**CRN 15, 20 SF****Chamber stack complete (silicon-carbide bearings),  
CRN 15 SF**

Pos.	Number of stages	Kit No
80	11	EPDM 96524990
		FKM 96525360
	16	EPDM 96524991
		FKM 96525361

**Chamber stack complete (silicon-carbide bearings),  
CRN 20 SF**

Pos.	Number of stages	Kit No
80	9	EPDM 96524992
		FKM 96525365
	16	EPDM 96524993
		FKM 96525366

**Coupling guard**

Pos.	Description	Kit No	
		MG 132 182TC - 215TC	MG 160 254TC - 284TSC
7	Coupling guard	2	2
7a	Screw	4	4

**Coupling complete**

Pos.	Description/ Kit No	96511351	96511352
		Motor/pump shaft diameter [mm]	38/16
9	Screw	4	4
8	10 Pin	1	1
	10a Coupling half	2	2

**Coupling complete, NEMA**

Pos.	Description/ Kit No	96511356
		Motor/pump shaft diameter [mm]
9	Screw	4
8	10 Pin	1
	10a Coupling half	2

**O-ring, standard**

Pos.	Description/ Kit No	EPDM	FKM
		96524520	96524521
37	O-ring	2	2
38	O-ring	1	1
38a	O-ring	1	1
46a	O-ring	1	1
46b	O-ring	1	1
100	O-ring	2	2

**O-ring, double seal**

Pos.	Description/ Kit No	EPDM	FKM
		96757608	96757611
37	O-ring	3	3
38	O-ring	-	-
38a	O-ring	1	1
46a	O-ring	1	1
46b	O-ring	1	1
100	O-ring	7	7

**Plug**

Pos.	Description/ Kit No	96511312
18	Vent screw	1
23	Pipe plug	1
25	Drain plug	1
38	O-ring, EPDM + FKM	1 + 1
38a	O-ring, EPDM + FKM	1 + 1

**Plug, NEMA**

Pos.	Description/ Kit No	96511314
18	Vent screw	1
23	Pipe plug	1
23a	Pipe plug 1/4"	1
25	Drain plug	1
38	O-ring, EPDM + FKM	1 + 1
38a	O-ring, EPDM + FKM	1 + 1

**Shaft seal**

Pos.	Description	96511844	96511845
		HQQE	HQQV
105	Shaft seal	1	1
-	Adjusting fork	1	1

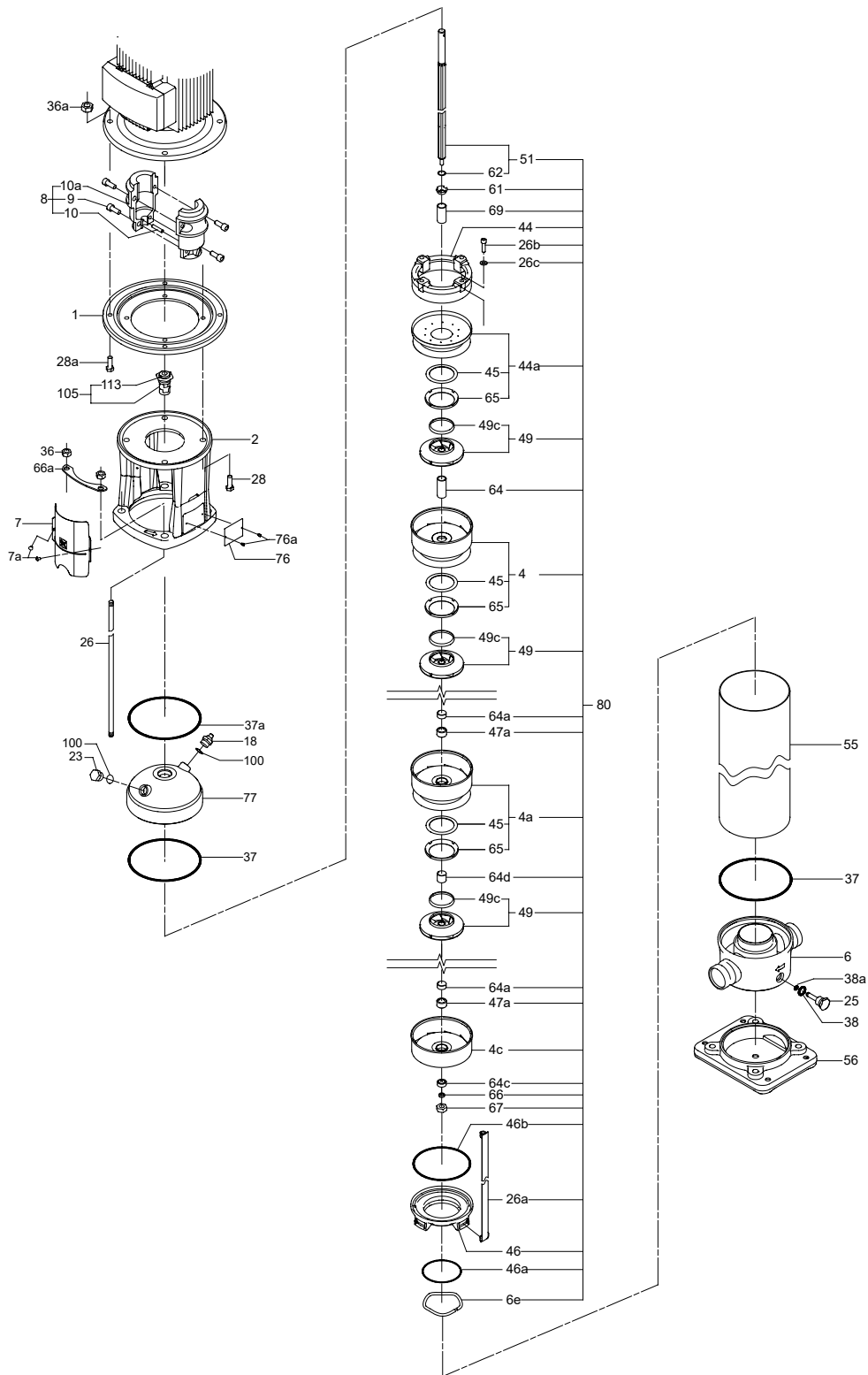
**Wear parts (silicon-carbide bearings), CRN 15 SF**

Pos.	Description/ Kit No	96524898	96524899
	Stages	-11	-16
4a	Chamber with bearing	1	2
4c	Chamber lower with bearing	1	1
26b	Screw	4	4
26c	Washer	4	4
45	Neck ring	10	14
47a	Bearing ring, rotating	2	3
49c	Impeller wear ring	11	16
61	Seal driver	1	1
62	Stop ring	1	1
64a	Spacing pipe	2	3
64c	Spacer lower	1	2
64d	Spacing pipe	1	2
65	Neck ring retainer	10	14
66	Lock washer	1	1
67	Lock nut	1	1

**Wear parts (silicon-carbide bearings), CRN 20 SF**

Pos.	Description/ Kit No	96524897	96524899
	Stages	-9	-16
4a	Chamber with bearing	1	2
4c	Chamber lower with bearing	1	1
26b	Screw	4	4
26c	Washer	4	4
45	Neck ring	8	15
47a	Bearing ring, rotating	2	3
49c	Impeller wear ring	9	16
61	Seal driver	1	1
62	Stop ring	1	1
64a	Spacing pipe	3	3
64c	Spacer lower	1	2
64d	Spacing pipe	1	2
65	Neck ring retainer	8	15
66	Lock washer	1	1
67	Lock nut	1	1

CRN 15, 20 SF



TM027792

**CRN 16 SF****50/60 Hz, model B****Chamber stack complete**

Consists of items: 4, 4a, 4b, 47a, 49, 51, 61, 64, 64a, 64c, 64d, 66, 67, 69, 69a, 140

Kit No

**Number of stages**

10 (9 impellers)	335127
16 (15 impellers)	335266

**Coupling complete**

Pos.	Kit No	NEMA	
		339142	425263
	Motor/pump shaft diameter [mm]	42/16	41.3/16
	Description		
10a	Coupling half	2	2
9	Screw	4	4
10	Pin	1	1

**Shaft seal**

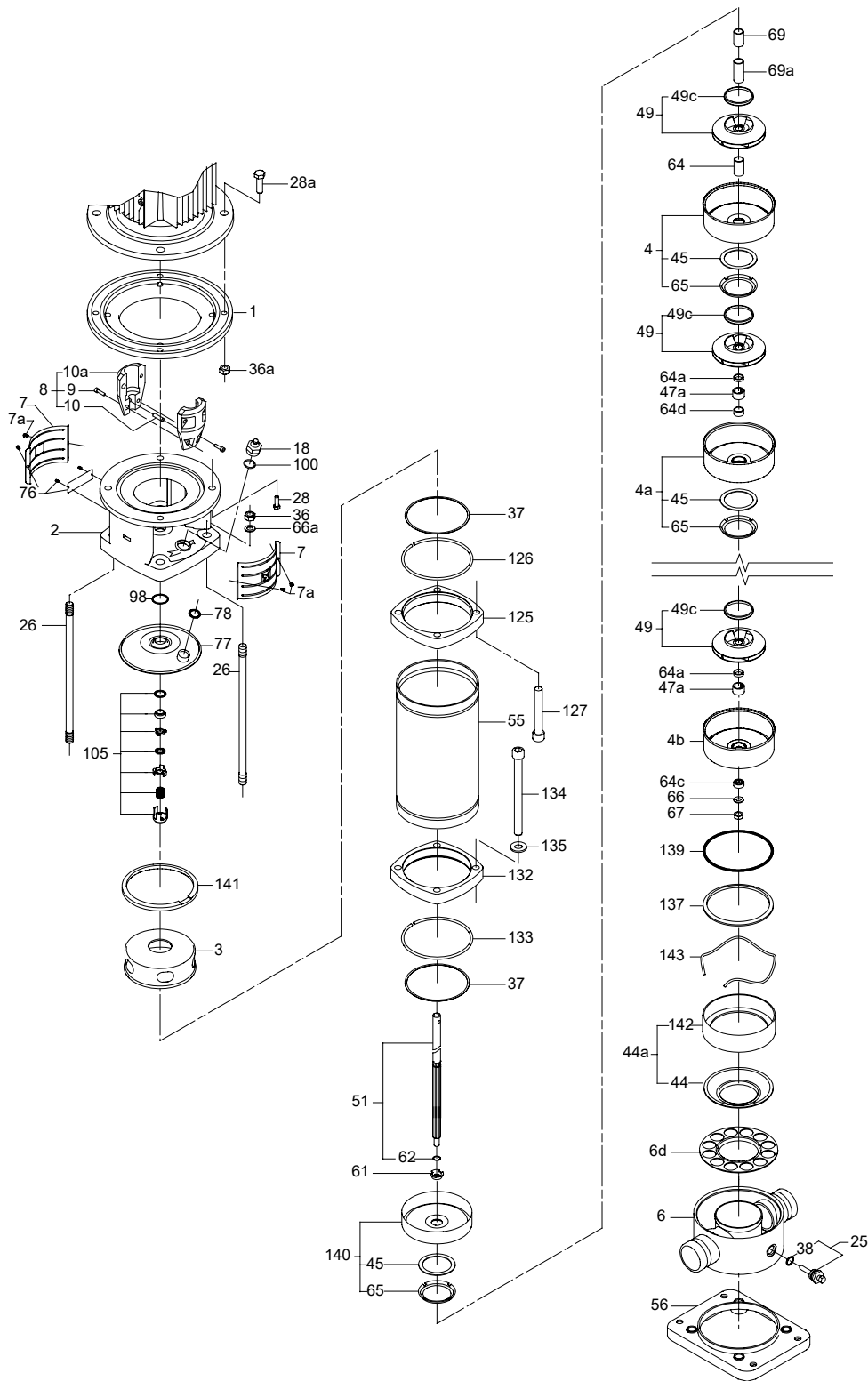
Pos.	Kit No	AUUE/V	
		425084	425085
	Description	AUUE/V	AUUE/V
37	Vulcanised sleeve gasket	-	2
105	Shaft seal	1	1

**Wear parts**

Pos.	Kit No	335088		335089	
		Number of stages	10	16	9 impellers
	Description				
4a	Bearing chamber		1		2
4b	Bearing chamber		1		1
37	Sleeve gasket		2		2
38	Drain plug gasket <sup>18)</sup>		1		1
45	Neck ring		7		12
47a	Bearing ring		2		3
49c	Impeller wear ring		9		15
61	Spacer for shaft seal		1		1
62	Stop ring		1		1
64c	Spacer		1		1
65	Neck ring retainer		7		12
66	Spring washer		1		1
67	Lock nut		1		1
78	O-ring		1		1
98	O-ring		1		1
100	O-ring for vent screw <sup>18)</sup>		1		1

<sup>18)</sup>EPDM and FKM

CRN 16 SF



TM002981

**CR, CRN 90 SF****50/60 Hz, model B****Impeller 1. stage**

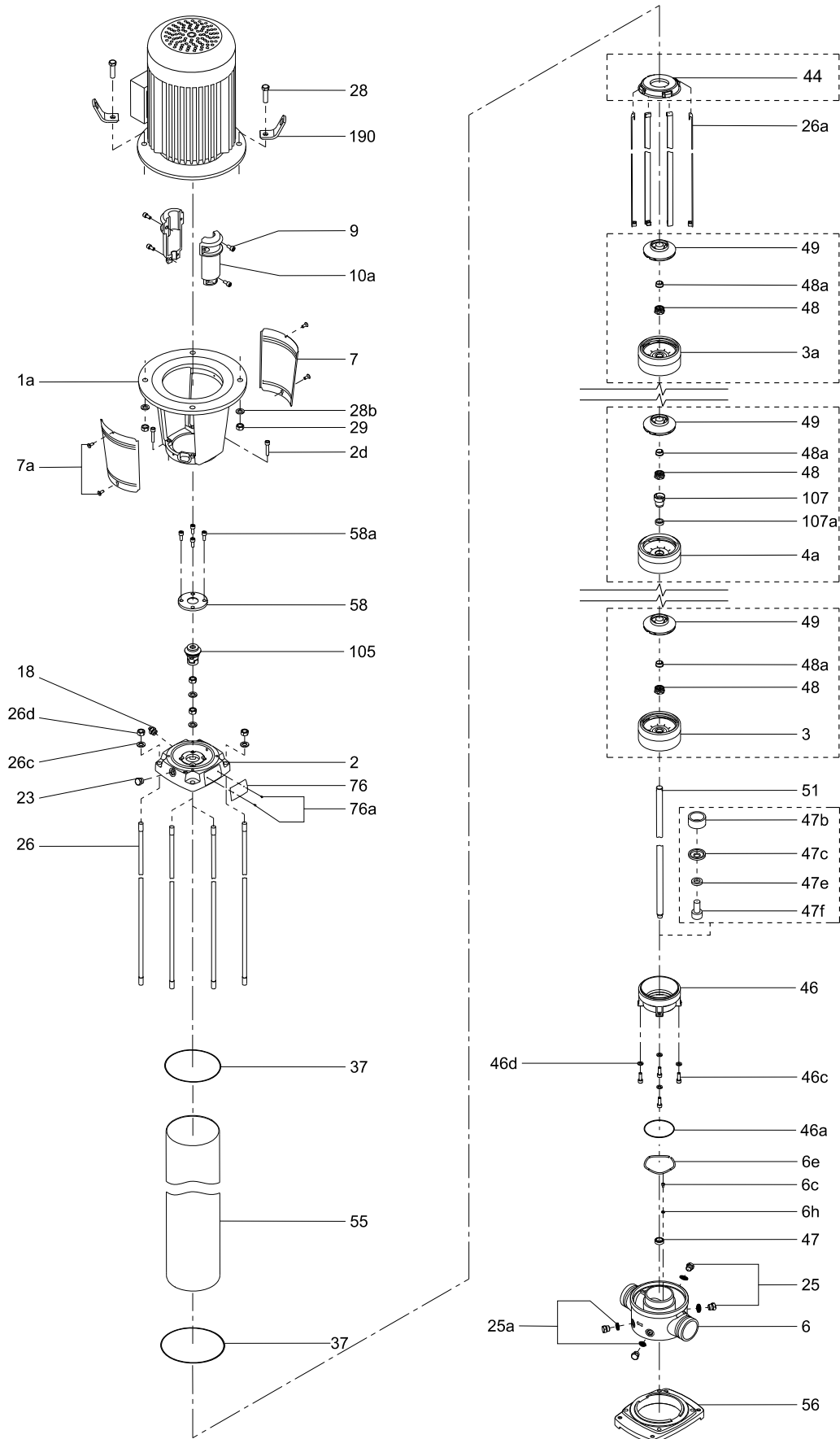
Type	<i>Standard</i>	<i>Reduced</i>
Standard	<a href="#">98593752</a>	<a href="#">98593755</a>
Teflon	<a href="#">98593759</a>	<a href="#">98593761</a>
Electro pol.	<a href="#">98593764</a>	<a href="#">98593769</a>

**Content**

Description	Quantity
Impeller	1
Suction interconnector	1
Nut for hub with spring	1



CRN 90 SF



TM055812