

17. CR HS

CRNE 1, 3-23 HS

50/60 Hz

Chamber stack complete (silicon-carbide bearing)

Pump type	CRNE 1-23	CRNE 1-23	CRNE 3-23	CRNE 3-23
Pos.	EPDM	FKM	EPDM	FKM
80	96478701	96478702	96478703	96478704

Coupling complete

Pos.	Kit No	Motor/pump shaft diameter [mm]	Description
	415063	28/12	
9			Screw 4
10			Pin 1
10a			Coupling half 2

Coupling guard

Pos.	Kit No	MG 71-80	MG 90-132	NEMA F 182/213 TC
7	96505130	2	2	2
7a	96505131	4	4	4

O-ring

Pos.	Kit No	EPDM	FKM
37	96483490	2	2
38	96483491	1	1
100		2	2
109		1	1

Shaft seal

Pos.	Kit No	96455086	96455087	96533326	96533327	96455088	96455089	96491375	96455082	96455083
Description	HQQE	HQQV	HQQK	HQQF	HQBE	HQBV	HQBK	HUBE	HUBV	
105	Shaft seal	1	1	1	1	1	1	1	1	1

Pos.	Kit No	96533322	96533323	96455084	96455085	91043611	96533324	96533325
Description	HUBK	HUBF	HUUE	HUUV	HUUV ⁹⁾	HUUK	HUUF	
105	Shaft seal	1	1	1	1	1	1	1

⁹⁾ Silicone-free cartridge

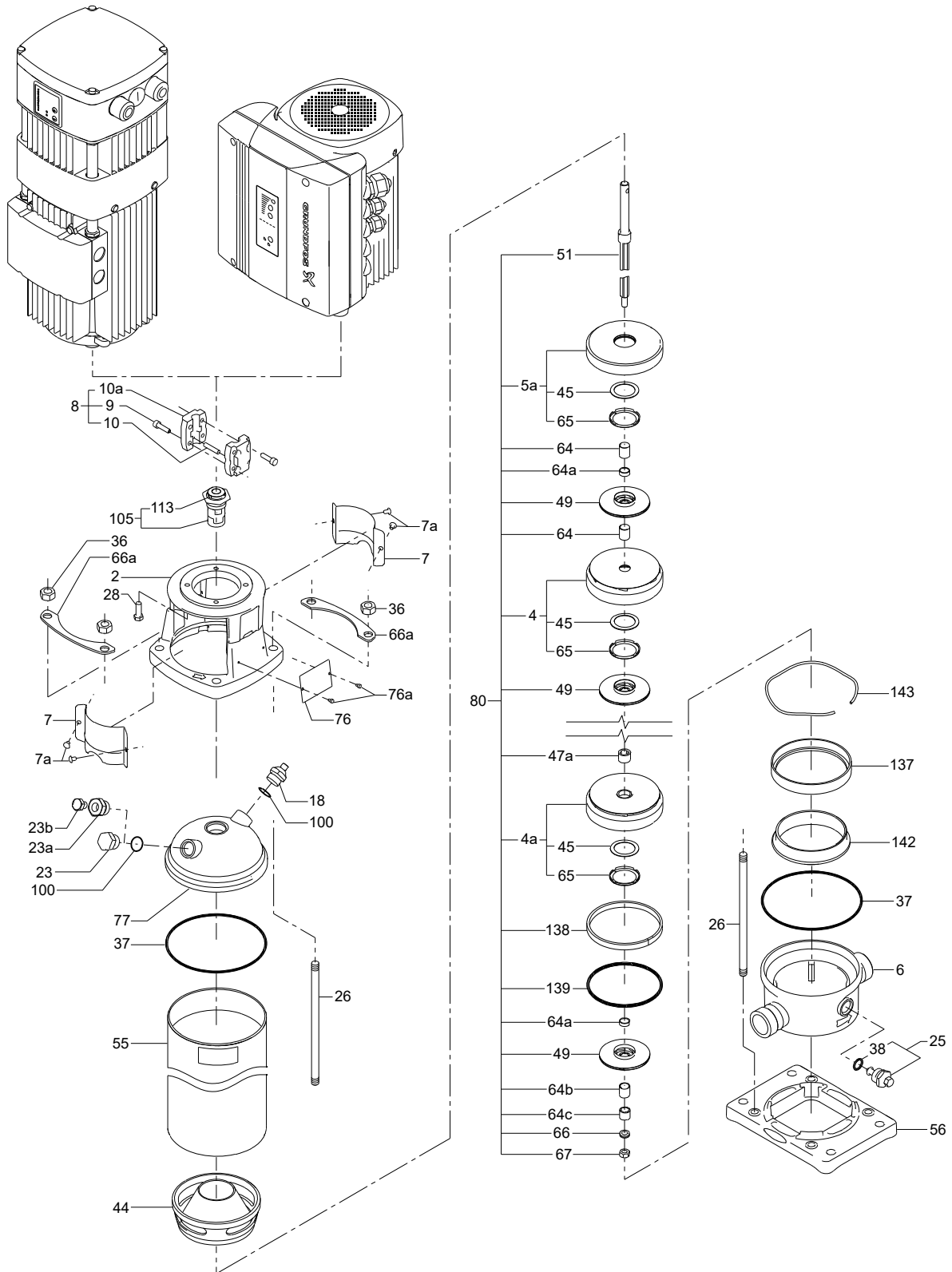
Plug

Pos.	Description	Kit No	EPDM/FKM	EPDM/FKM NEMA
18	Vent screw	96505133	1	1
23a	Pipe plug	96511103	1	1
23b	Pipe plug		1	1
25	Drain plug with bypass valve		1	1
38	O-ring Ø16.3 x 2.4	EPDM		
		FKM	1	1
100	O-ring Ø16.3 x 2.4	EPDM	1	1
		FKM	2	2

Sensor

Description	0-40 bar	0-60 bar
Kit No	96483573	96483574
Sensor	1	1

CRNE 1, 3-23 HS



TM024484