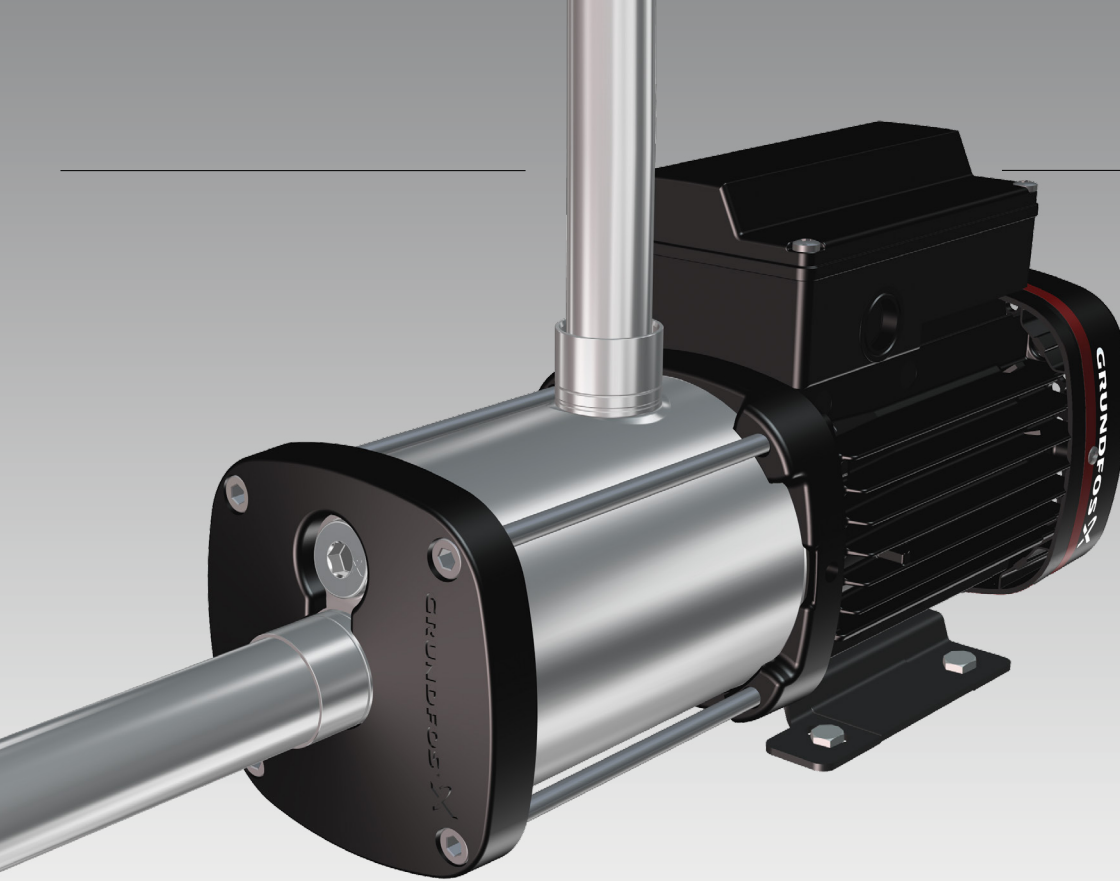
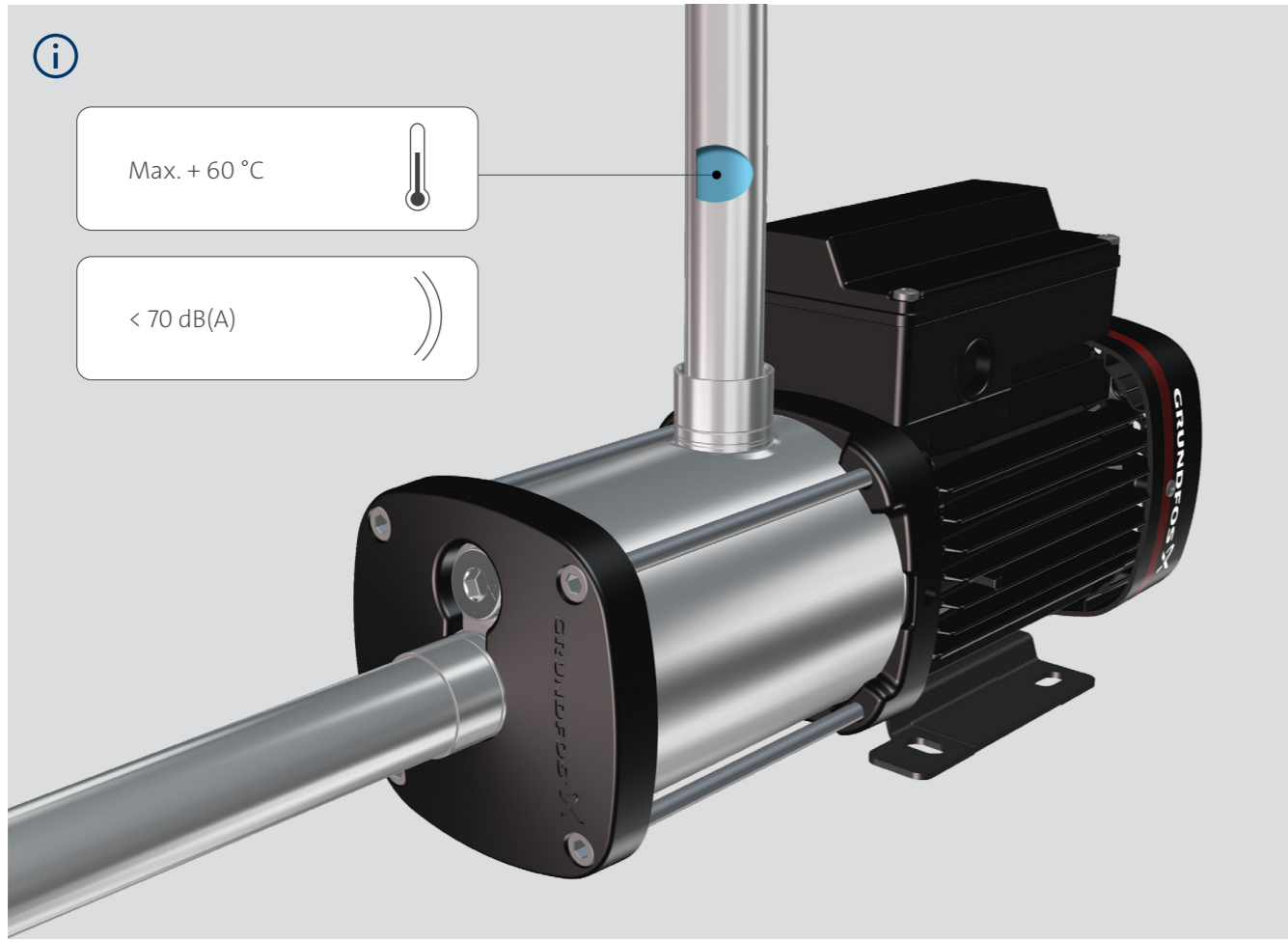
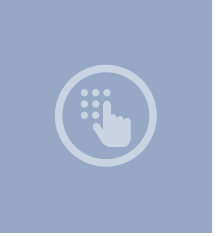
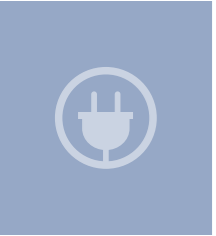


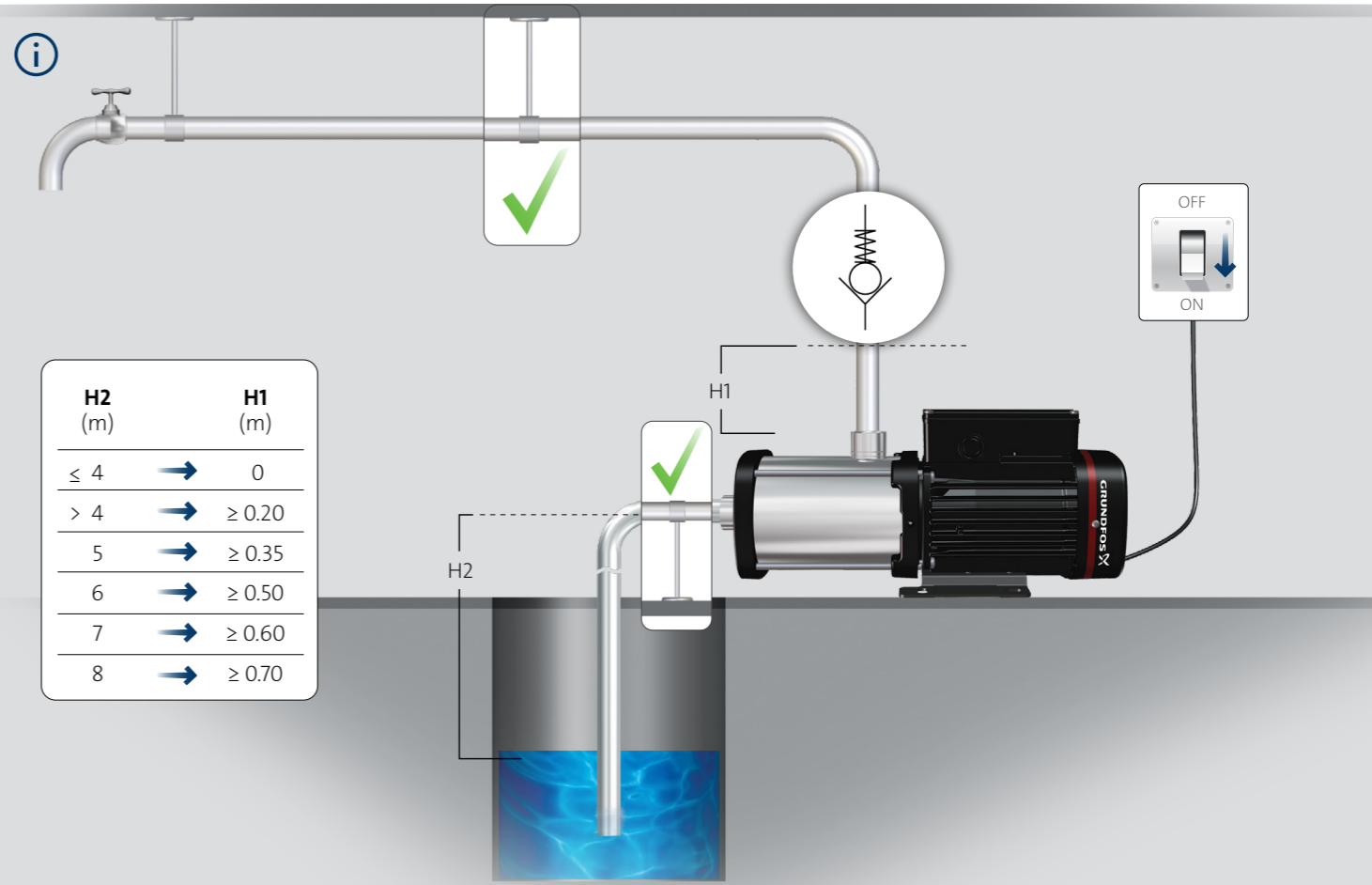
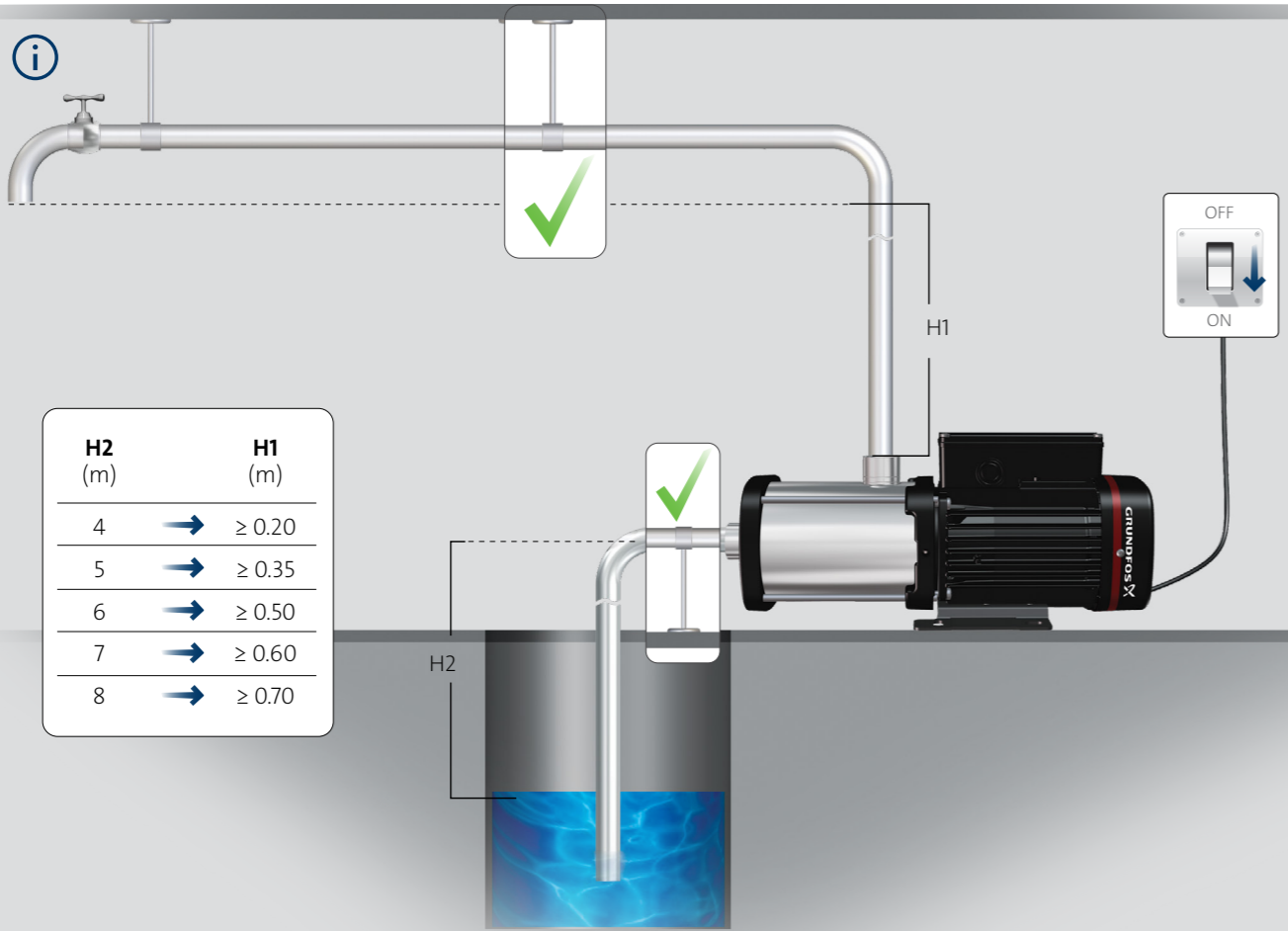
GRUNDFOS INSTRUCTIONS

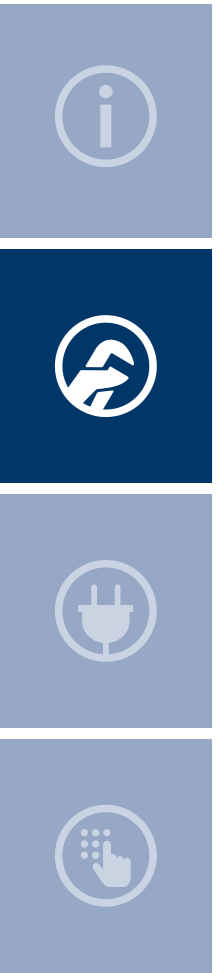


CM
Self-priming

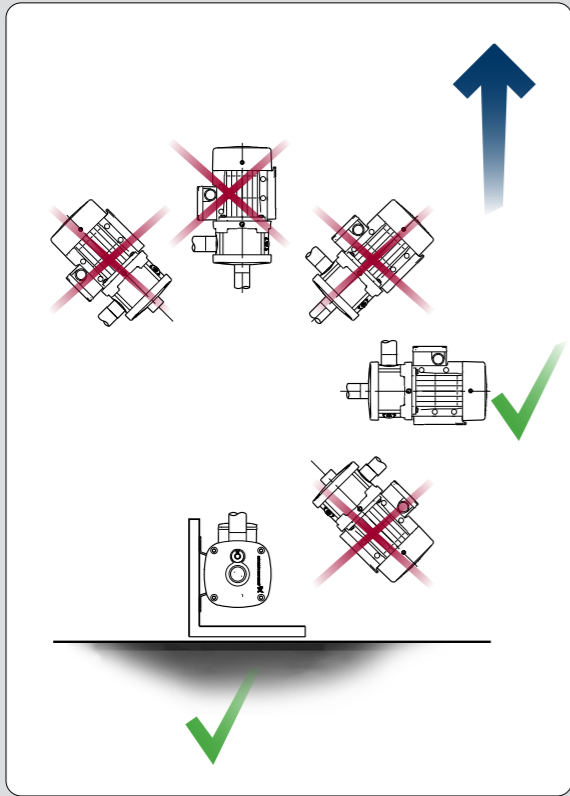
GRUNDFOS 



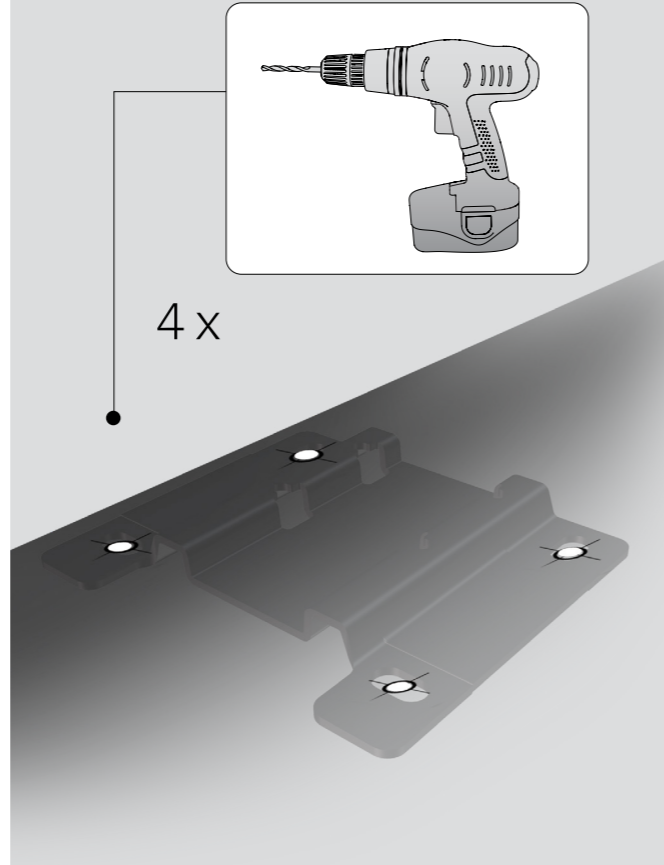




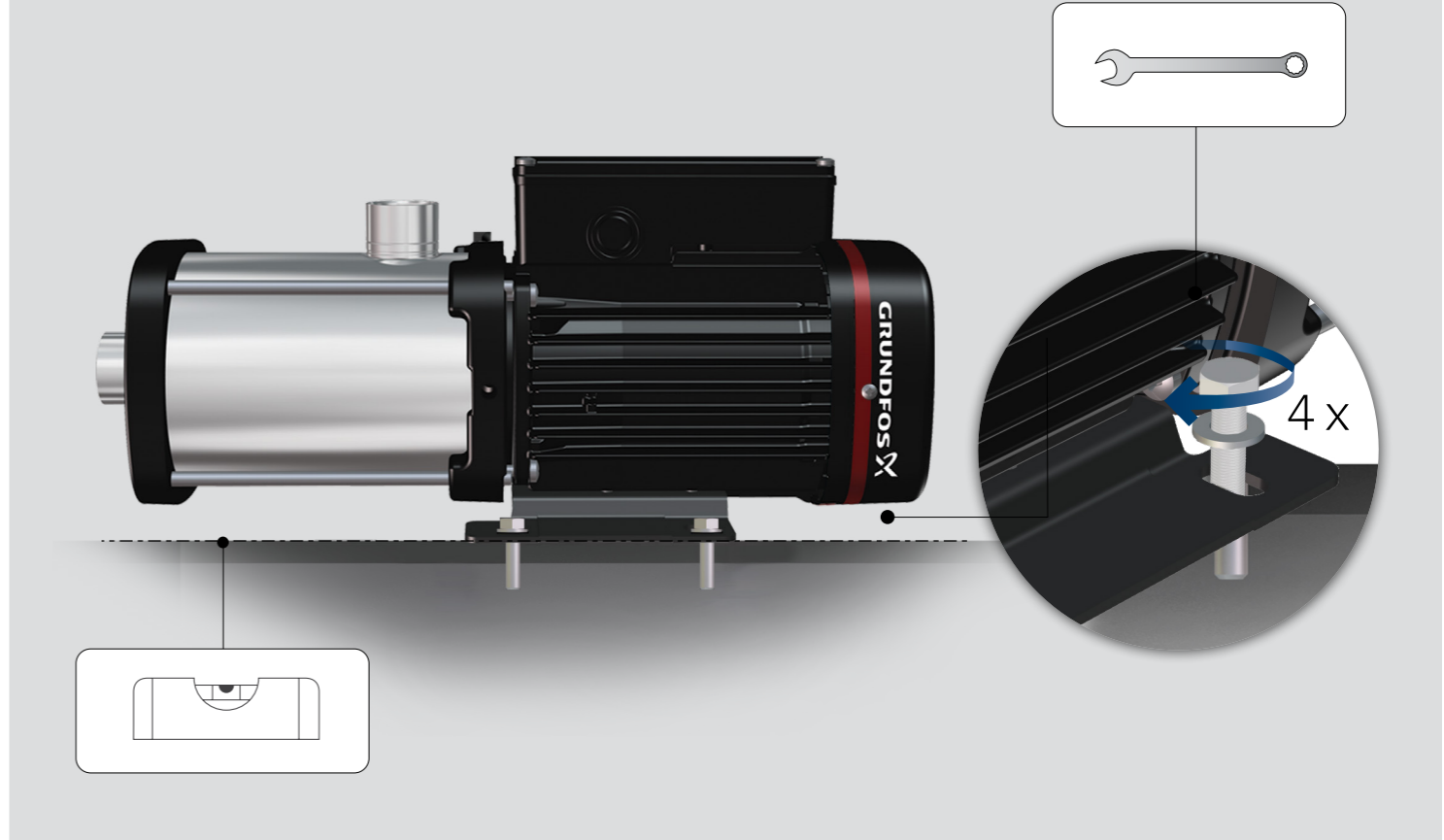
i

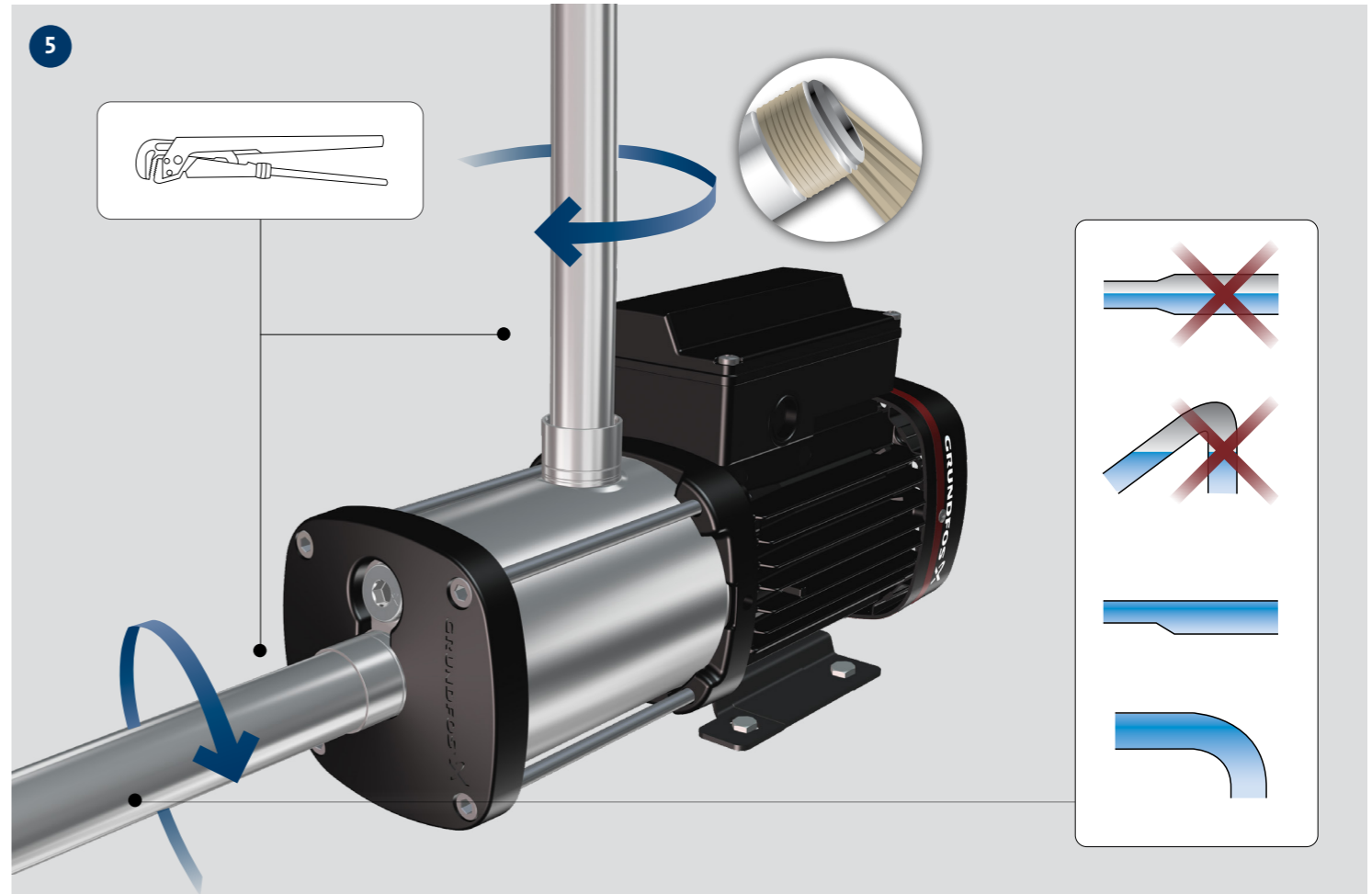
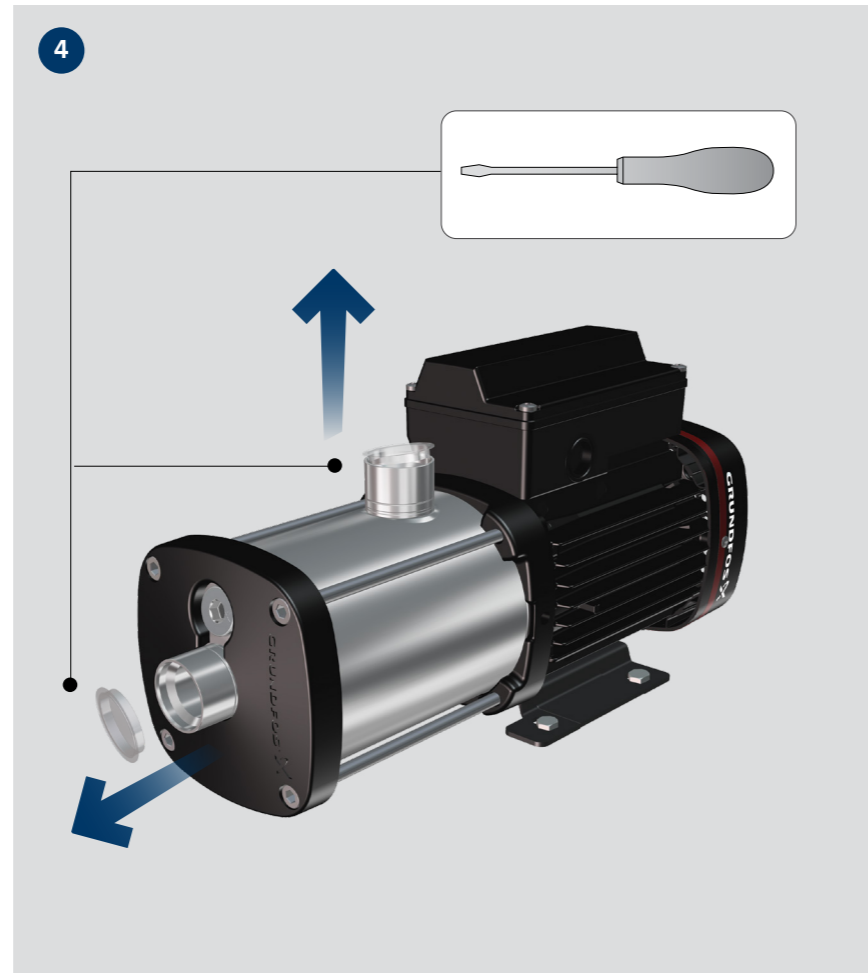
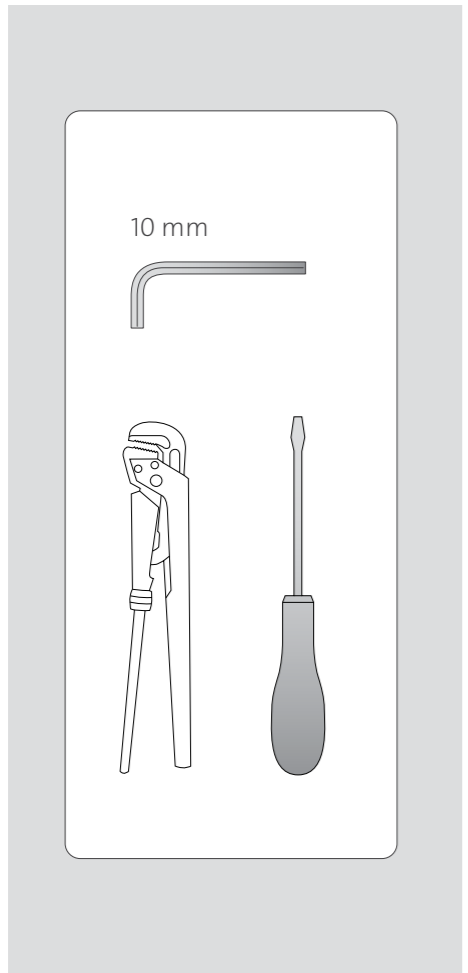


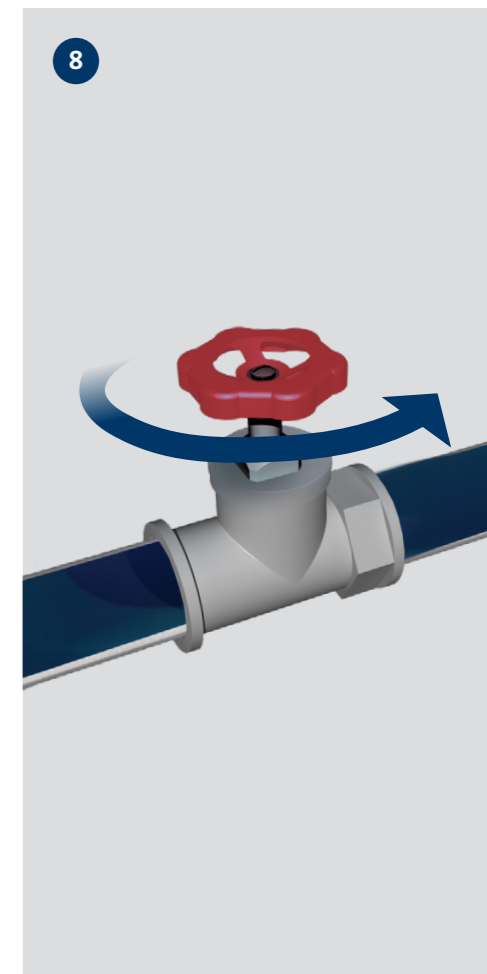
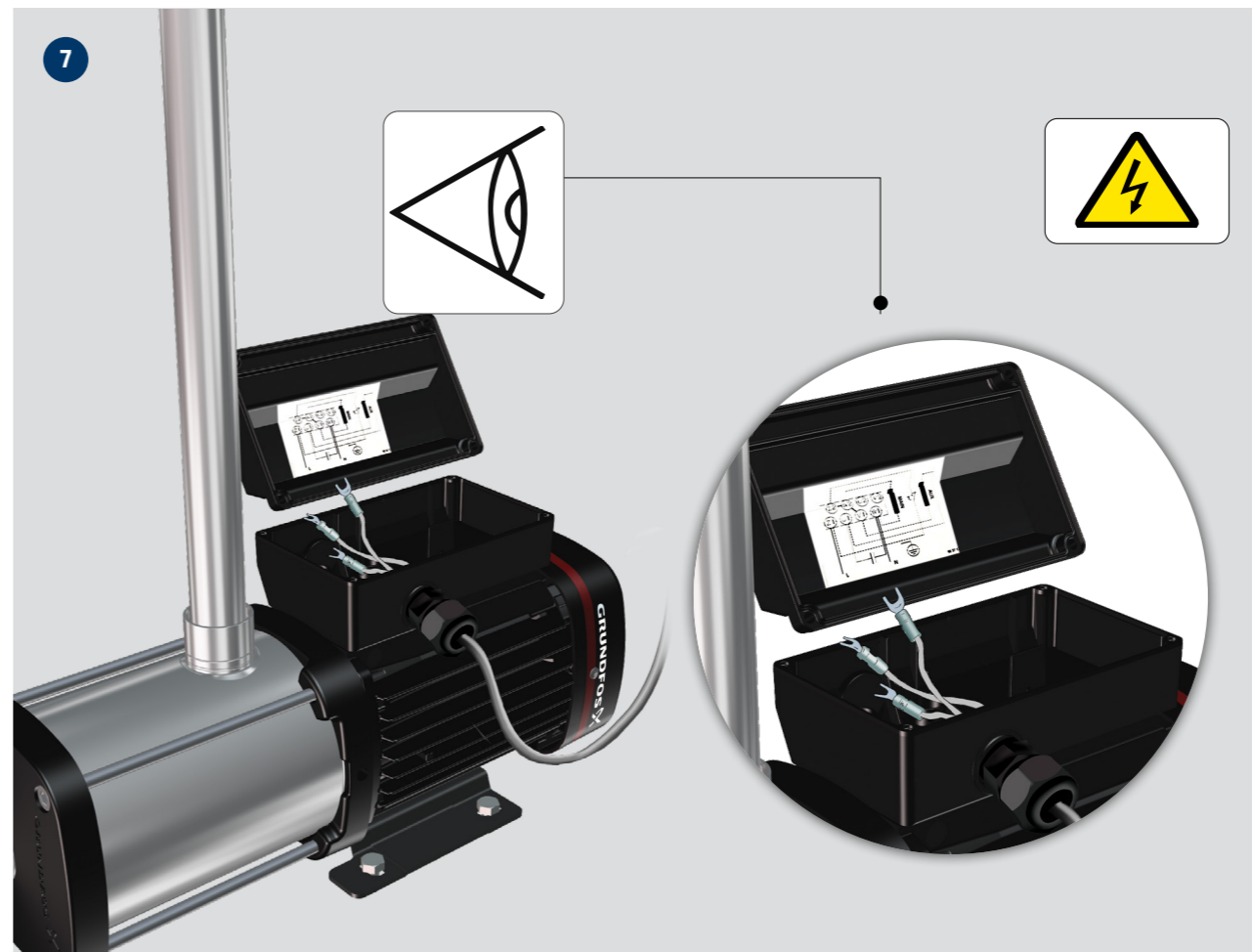
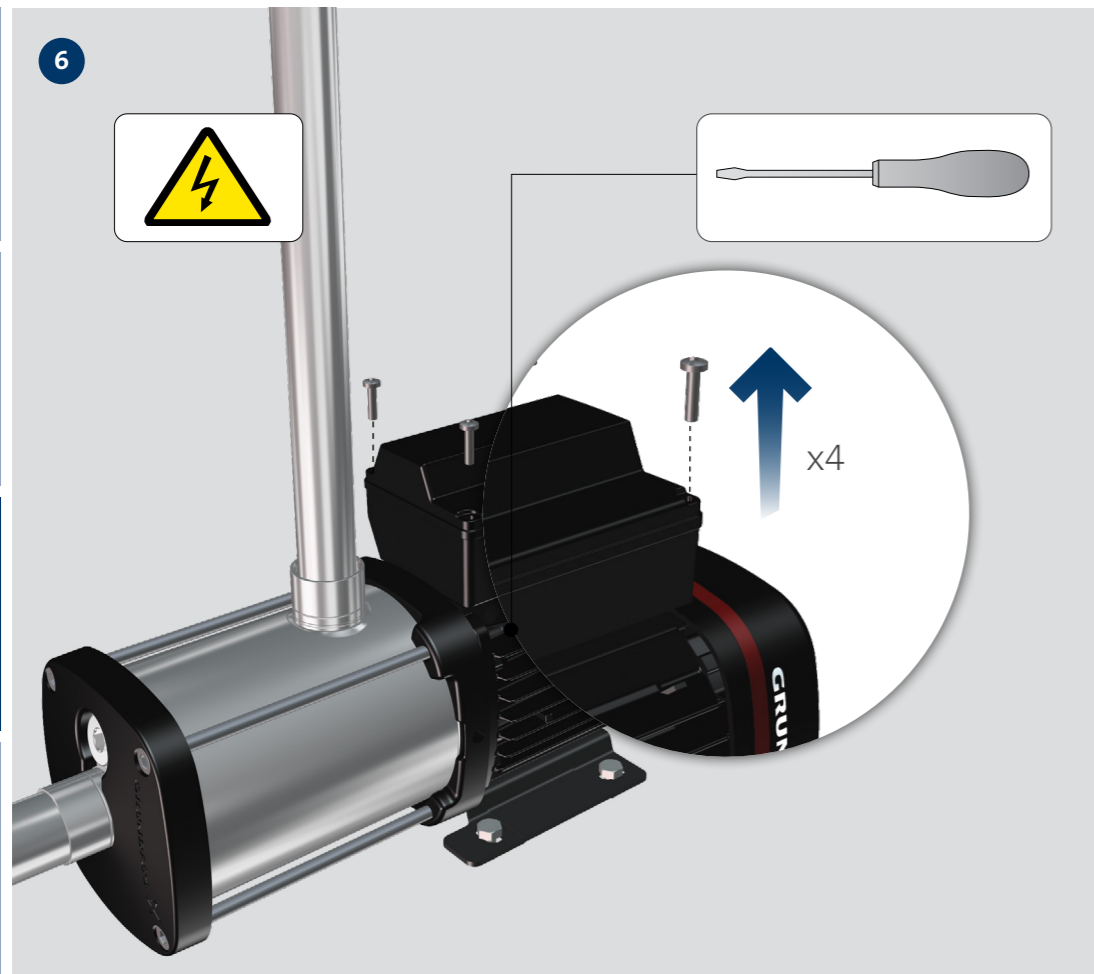
2

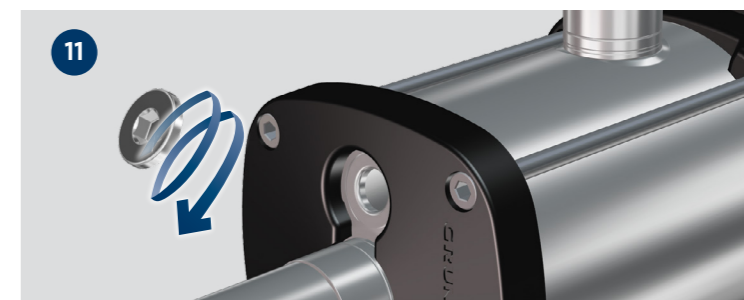
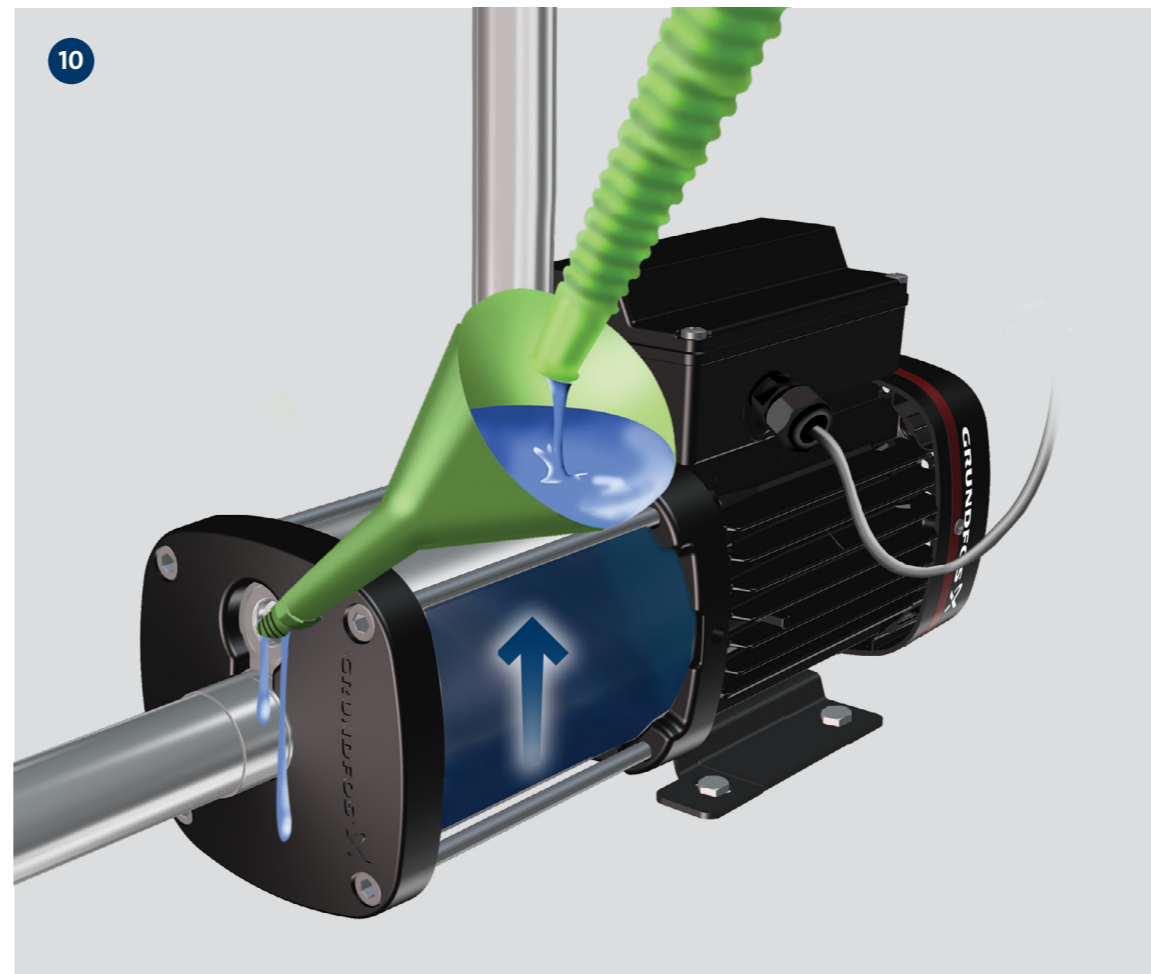
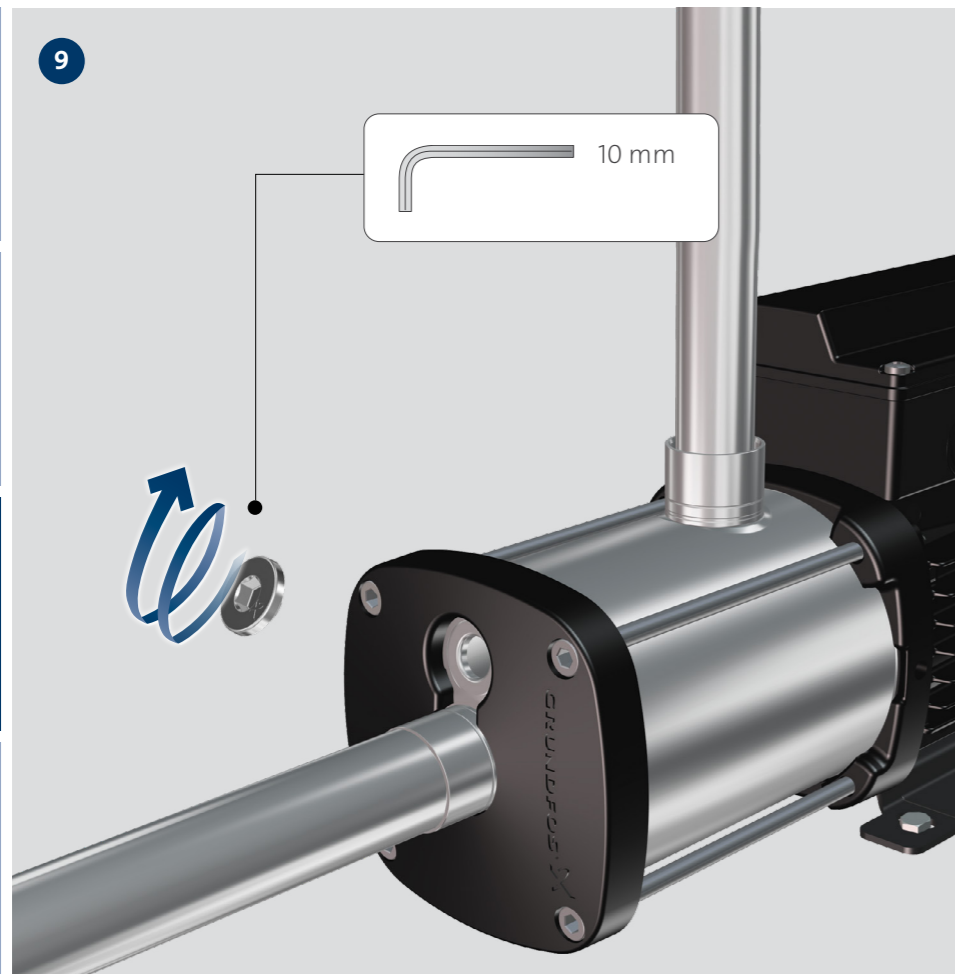
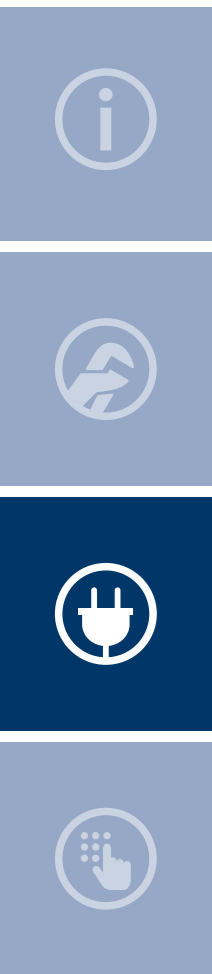


3





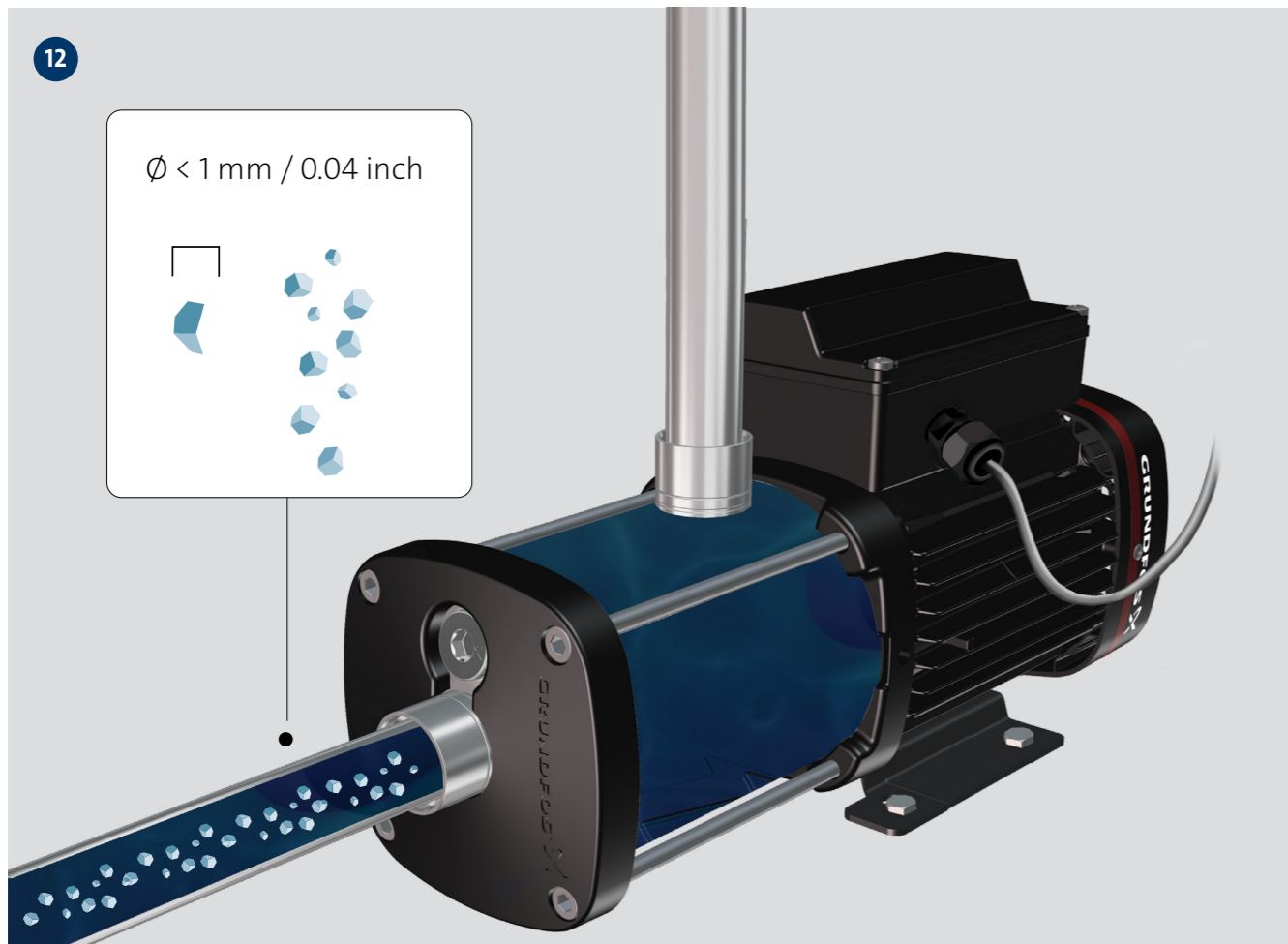






12

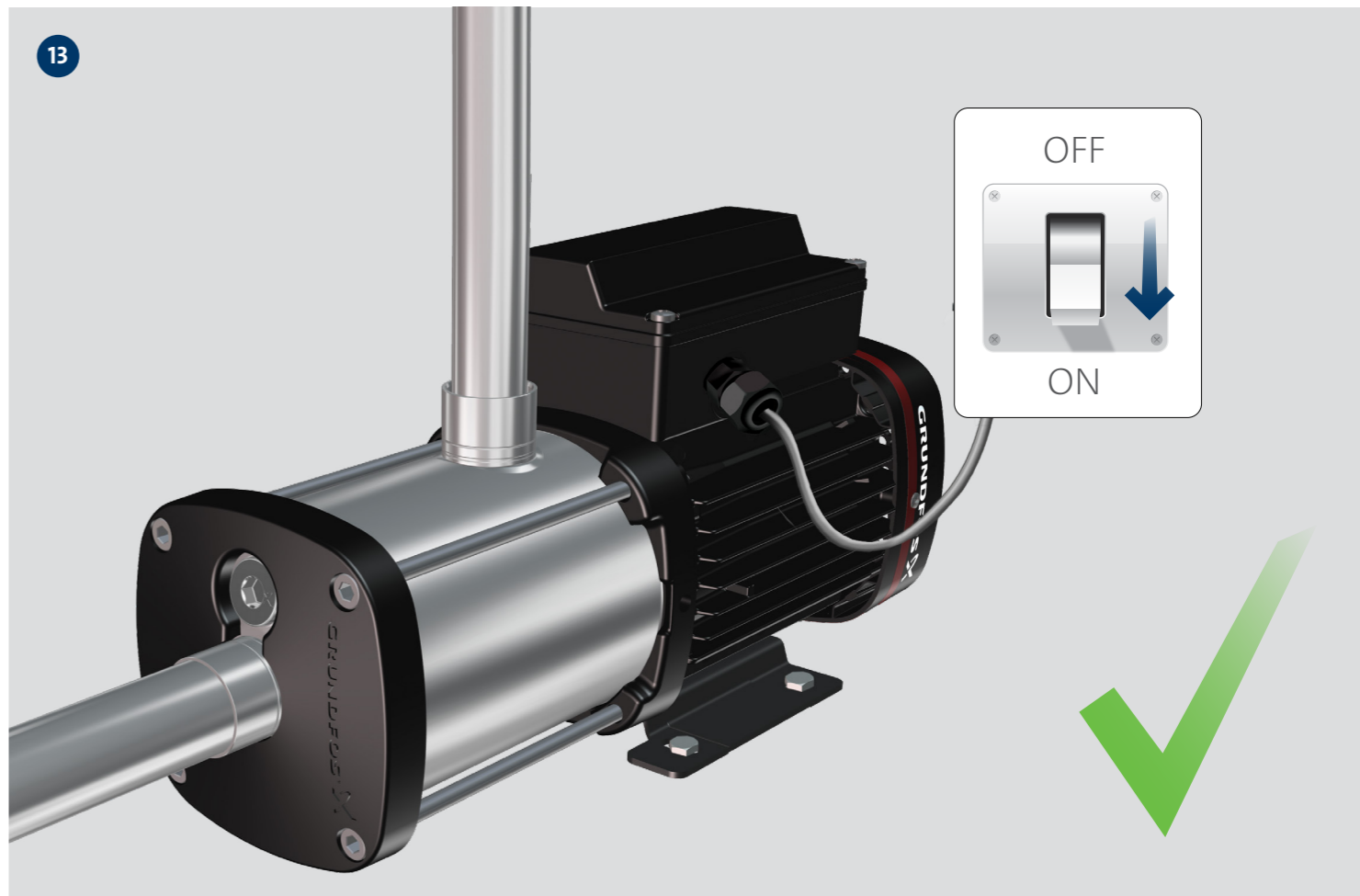
$\varnothing < 1 \text{ mm} / 0.04 \text{ inch}$



13

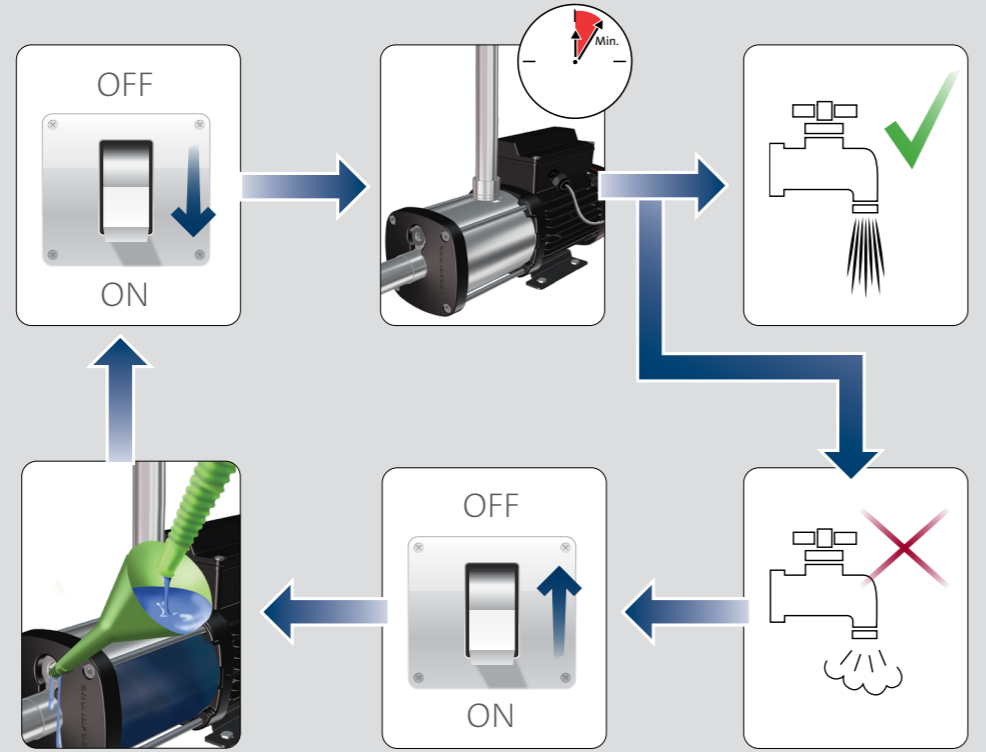
OFF

ON





14



i





98503799 12.2022

ECM: 1356488

GRUNDFOS Holding A/S
Poul Due Jensens Vej 7
DK-8850 Bjerringbro
Tel: +45 87 50 14 00
www.grundfos.com

GRUNDFOS 

The name Grundfos, the Grundfos logo and the pappeffekt pump innovate are registered trademarks owned by Grundfos Holding A/S or Grundfos A/S, Denmark. All rights reserved worldwide.