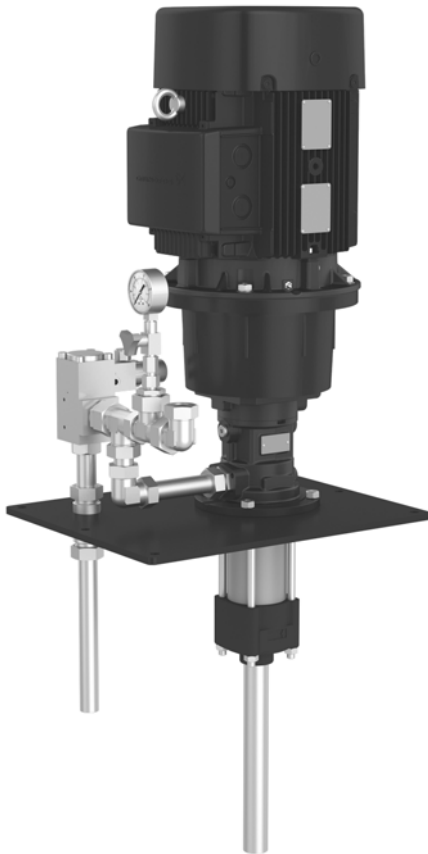


MTS pump system

MTS pump system, fully assembled, with MTS screw pump, mounting plate, pressure relief valve and piping.



TM05 4422 2312

Features and benefits

Fully integrated all-in-one system

All components, including valves, are preassembled to customer specifications.

Pump design

MTS pumps are screw pumps designed for pumping cooling lubricants and cutting oils for machine tool applications.

Long lifetime

Highly wear resistant, PVD coated spindles and special, hardened rotor housing extend the lifetime.

High-efficiency motor

IE2 motors are standard, and IE3 motors are optional.

Economical pump operation

- Pump efficiency above 80 %,
- low heat transfer into the coolant system,
- low cooling requirements.

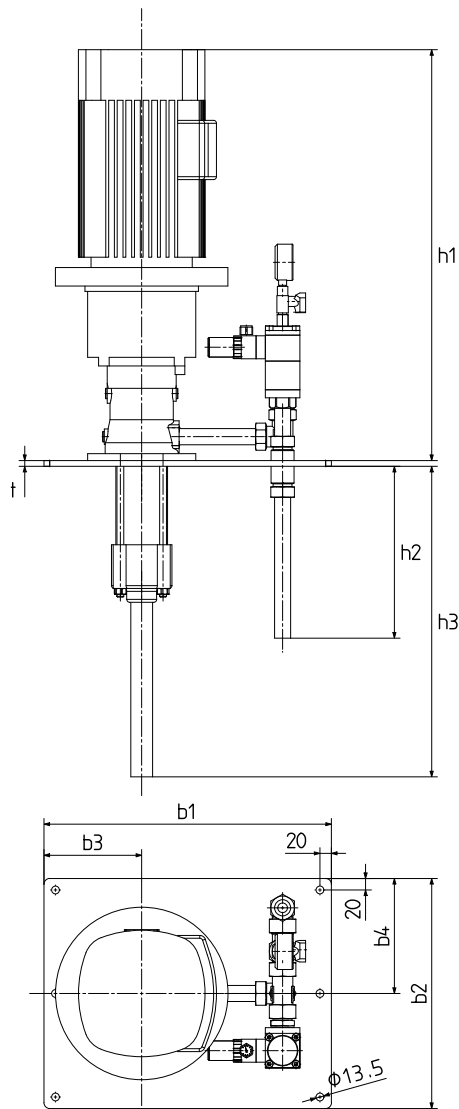
Noiseless

The design of MTS allows gentle, pulsation-free and low-noise pumping.

Wide pump range

- 7 pump sizes
- 16 versions.

Dimensional sketches



Dimensions

Pump type	Dimensions [mm]						
	t	h1	h2	h3	b1	b2	b3
MTS 20	10	*	250	**	500	400	170
MTS 40	10		290		500	400	170
MTS 80							
MTS 140							
MTS 210							
MTS 280							
MTS 440							

* See MTS data booklet
** On request




98271688 0712
ECM: 1093945

Pressure relief valves

Screw spindle pumps are positive-displacement pumps which must be pressure controlled in order to protect the motor and pipe system. The pumped liquid not needed is returned to the tank via the pressure relief valve. Selection of valves depends on the following factors:

- required pressure, flow rate and viscosity of the pumped liquid
- required valve adjustability/control.

The pressure relief valves below are especially designed for use in coolant applications.

Type	Description	
H	Manually operated, continuously adjustable pressure relief valve. • The valve working pressure can be adjusted by means of a hand wheel.	 TM05 4391 2212
P	Manually operated, continuously adjustable pressure relief valve with air pilot valve and solenoid valve for pressureless circulation. • The valve working pressure can be adjusted by means of a hand wheel. • Circulation with minimized pressure can be electrically activated. The valve is open at zero current and pressure.	 TM05 4390 2212
E	Electrically controlled, continuously adjustable pressure relief valve with proportional solenoid air pilot valve. • The vario valve type enables the setting of any pressure from 5 to 120 bar. For pressure regulation, the machine control sends an analogue signal (0-10 V). The pneumatic control pressure is changed in proportion to the analogue signal and regulates the working pressure. • The valve is open in case of power loss or loss of pressure.	 TM05 4392 2212

Customisation

The MTS pump system can be customised to fit your special needs. Please contact Grundfos.

The name Grundfos, the Grundfos logo, and the payoff Be–Think–Innovate are registered trademarks owned by Grundfos Management A/S or Grundfos A/S, Denmark. All rights reserved worldwide.

Subject to alterations.