



# NK/NKG INSTALLATION CHECK LIST

Client name: \_\_\_\_\_

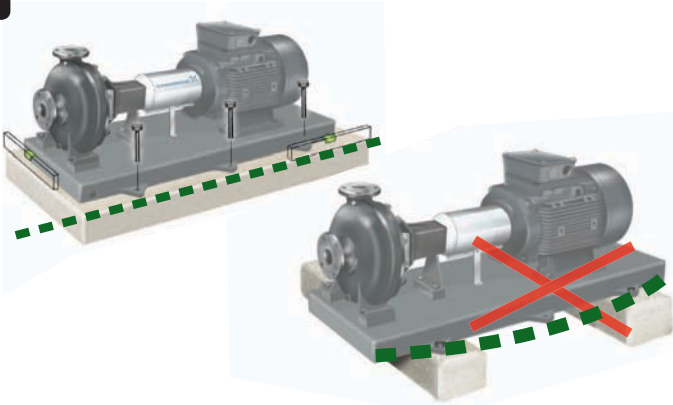
Type	GRUNDFOS		
Model	_____		
Q	m <sup>3</sup> /h	H	m
n	min <sup>-1</sup>		
p/t	bar/°C <sub>MAX</sub>		
CE 96145329			

5



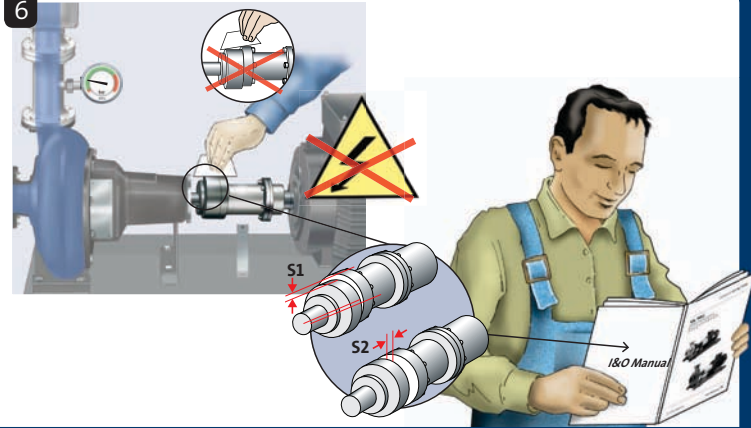
Date: \_\_\_\_\_ Sign & Company: \_\_\_\_\_

2



Date: \_\_\_\_\_ Sign & Company: \_\_\_\_\_

6



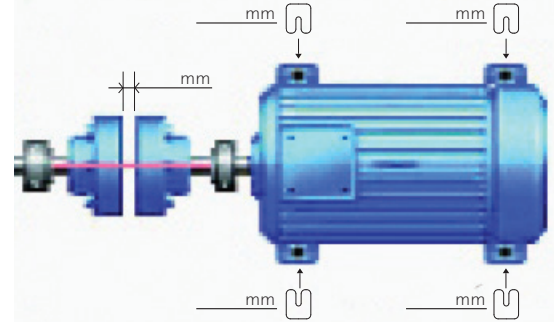
Date: \_\_\_\_\_ Sign & Company: \_\_\_\_\_

3



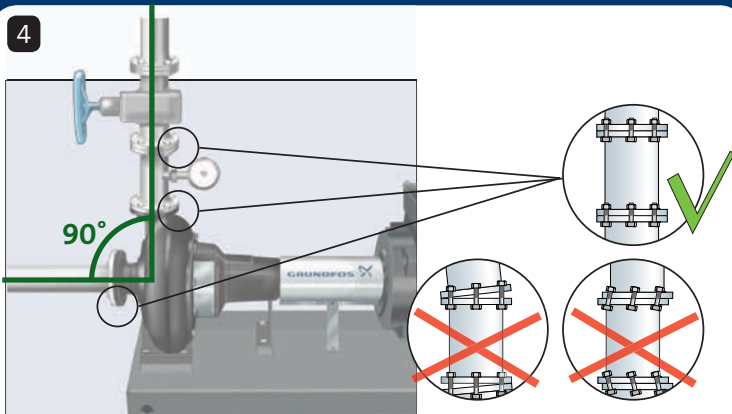
Date: \_\_\_\_\_ Sign & Company: \_\_\_\_\_

7



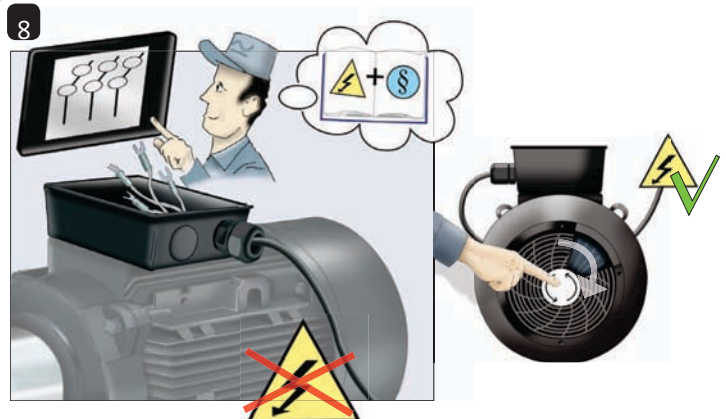
Date: \_\_\_\_\_ Sign & Company: \_\_\_\_\_

4



Date: \_\_\_\_\_ Sign & Company: \_\_\_\_\_

8



Date: \_\_\_\_\_ Sign & Company: \_\_\_\_\_