

77. SEG Autoadapt

50 Hz

Lid for electronic unit

Pos.	Description	Type	Standard 1-ph.	Ex 1-ph.	Standard 3-ph.	Ex 3-ph.
			0.9 - 1.5 kW	0.9 - 1.5 kW	0.9 - 4.0 kW	0.9 - 4.0 kW
			Kit No	96898085	96984145	96898086
16	O-ring	34.2 x 3.0	1	1	1	1
26a	O-ring	32.0 x 4.0	1	1	1	1
90a	Lid with electronic unit		1	1	1	1
90b	O-ring	180.0 x 4.0	1	1	1	1
287b	O-ring	20.2 x 3.0	1	1	1	1
287c	Set screw		1	1	1	1
-	Splice connector		4	4	3	3
-	Cable clip		1	1	1	1
-	Protection sleeve		1	1	1	1
-	Absorbent bag		2	2	2	2

Impeller

Pos.	Description/Kit No	SEG.40					SEG.50			
		0.9 kW	1.2 kW	1.5 kW	2.6 kW	3.0 kW	4.0 kW	2.6 kW	3.0 kW	4.0 kW
		96076115	96076116	96076117	96076118	96076119	96076120	99346032	99346046	99346048
9a	Key	1	1	1	1	1	1	1	1	1
49	Impeller	1	1	1	1	1	1	1	1	1
66	Lock washer	1	1	1	1	1	1	1	1	1
68	Adjustment nut	1	1	1	1	1	1	1	1	1
188a	Screw	1	1	1	1	1	1	1	1	1

O-ring

Pos.	Description	Type	0.9 - 1.5 kW		2.6 - 4.0 kW		
			Rubber type	NBR	FKM	NBR	FKM
			Kit No	96076124	96646061	96076125	96646062
198	O-ring	34.2 x 3.0	1	1	1	1	
26a	O-ring	32.0 x 4.0	1	-	1	1	
37	O-ring	164.5 x 3.0	1	1	-	-	
		204.0 x 3.0	-	-	1	1	
37a	O-ring	114.0 x 3.0	2	2	-	-	
		114.3 x 5.7	-	-	2	2	
90b	O-ring	180.0 x 4.0	-	1	-	1	
102	O-ring	16.0 x 1.5	1	1	-	-	
		17.3 x 2.4	-	-	1	1	
107	O-ring	47.0 x 3.0	1	1	-	-	
		90.0 x 4.0	-	-	1	1	
108	O-ring	50.0 x 3.0	1	1	1	1	
153a	O-ring					-	
153b	O-ring	28.0 x 2.0	1	1	1	1	
159	O-ring	32.0 x 2.0	1	1	-	-	
		37.0 x 2.0	1	1	-	-	
		52.0 x 3.0	-	-	1	1	
185	O-ring	31.0 x 2.0	1	-	1	-	
194	Seal washer		2	2	2	2	
Tool	Bush tomount shaft seal		1	1	-	-	

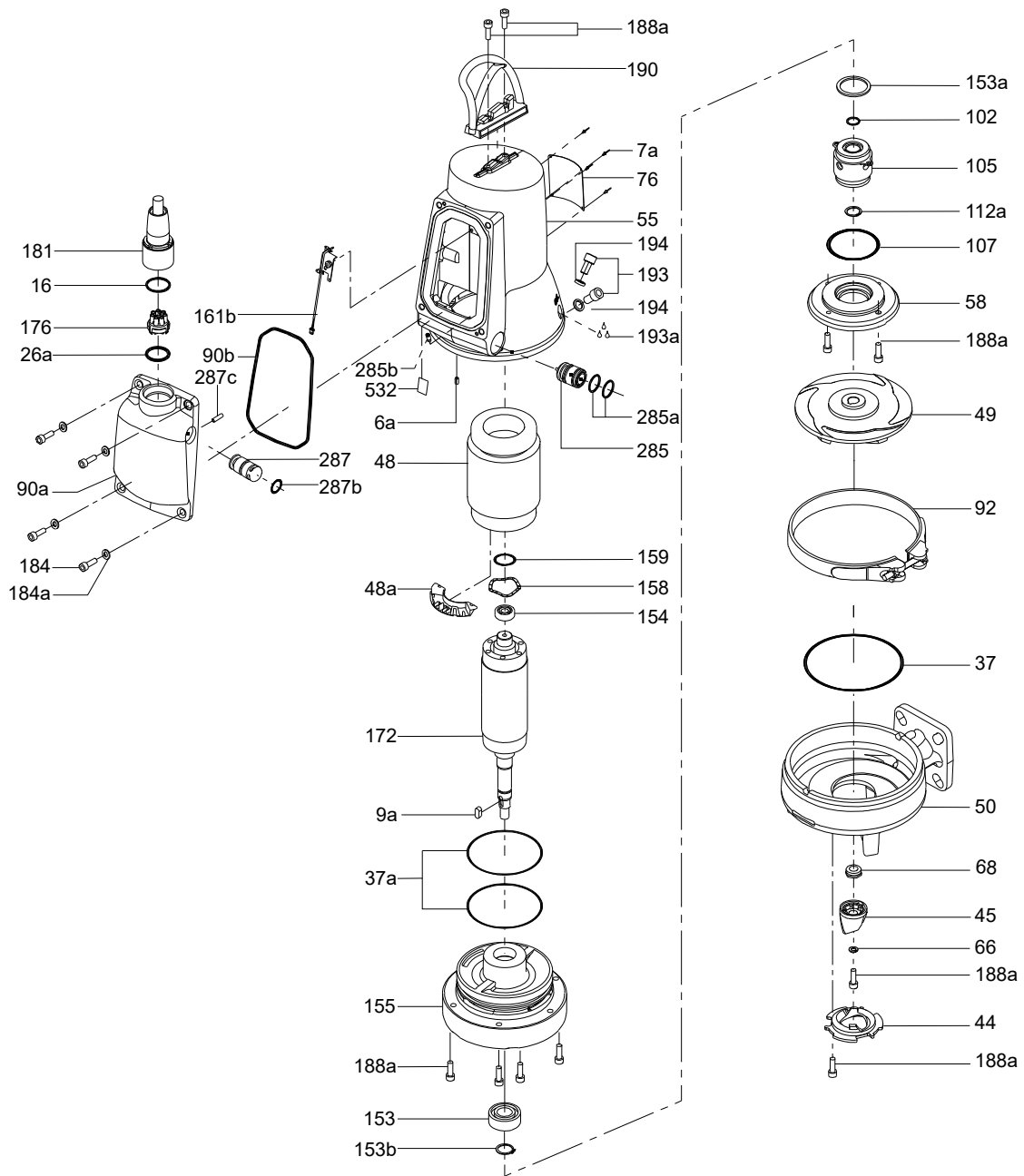
Sphere for hook-up

Pos.	Description	DN 40/Rp 1 1/2		DN 50/Rp 2		
		Type				
		Rubber type	NBR	FKM	NBR	FKM
		Kit No	96592033	96657776	96592034	96657778
-	Sphere for hook-up		1	1	1	1

Upper guide rail holder (UGRH)

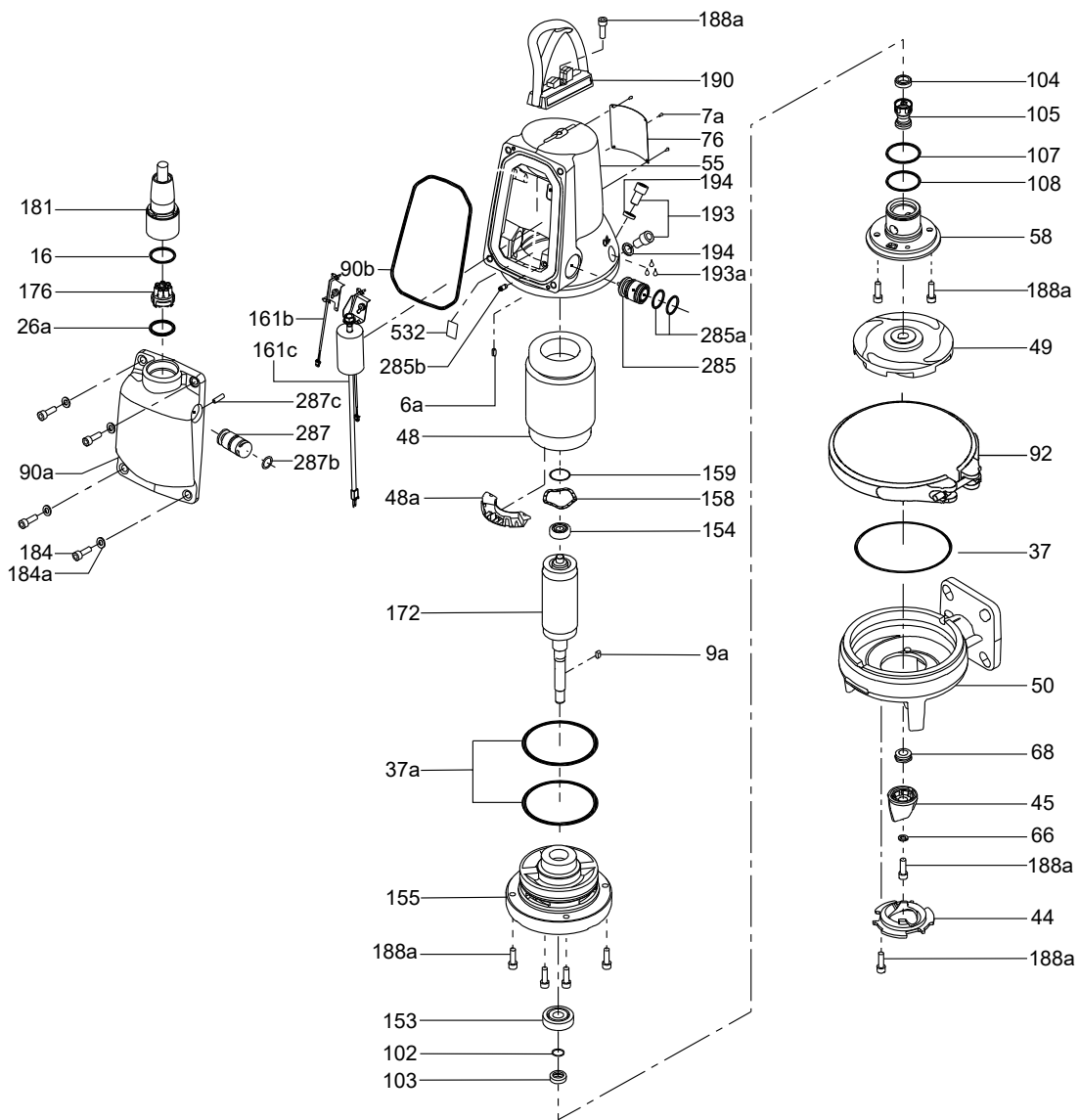
Pos.	Description/Kit No	
-	Upper guide rail holder 3/4"	1

2.6 - 4.0 kW



TM065770

0.9 - 1.5 kW



TM065750

Shaft seal

Pos.	Description	Type	0.9 - 1.5 kW		2.6 - 4.0 kW	
		Rubber type	BQQP	BQQV	BQQP	BQQV
		Kit No	96076122	96645160	96076123	96645275
9a	Key		1	1	1	1
37	O-ring	164.5 x 3.0	1	1	-	-
		204.0 x 3.0	-	-	1	1
58	Shaft seal retainer		1	1	-	-
66	Lock washer		1	1	1	1
102	O-ring	16.0 x 1.5	1	1	-	-
		17.3 x 2.4	-	-	1	1
103	Bush for seal ring		1	1	-	-
104	Seal ring		1	1	-	-
105b	Shaft seal		1	1	1	1
107	O-ring	47.0 x 3.0	1	1	-	-
		90.0 x 4.0	-	-	1	1
108	O-ring	50.0 x 3.0	-	1	-	-
112a	Retaining ring		-	-	1	1
188a	Screw		1	1	1	1
194	Seal washer		2	2	2	1
198	Bush for shaft seal		1	1	-	-

Clamp

Pos.	Description	Type	0.9 - 1.5 kW	2.6 - 4.0 kW
		Kit No	96592050	96592054
92	Clamp complete		1	1

Dry-running sensor

Pos.	Description	Type	Standard	Ex
		Kit No	96898083	96984131
90b	O-ring	180.0 x 4.0	1	1
285	Dry-running sensor		2	2
285a	O-ring	29.7 x 2.95	2	2
287c	Set screw		1	1

Grinder

Pos.	Type	SEG.40		SEG.50
		Standard	Heavy duty	High-flow
		Description/Kit No	96076121	96903344
44	Grinder ring	1	1	1
45	Grinder head	1	1	1
66	Lock washer	1	1	1
188a	Screw	1	1	1

Guide claw

Pos.	Description	Type	DN 40	
		Rubber type	NBR	FKM
		Kit No	96592055	96659162
-	Rubber seal		1	1
-	Guide claw		1	1

Level sensor

Pos.	Description	Type	Standard	Ex
		Kit No	96898082	96984130
90b	O-ring	180.0 x 4.0	1	1
287	Level sensor		1	1
287a	Protection plate		1	1
287b	O-ring	20.2 x 3.0	1	1
287c	Set screw		1	1

Lifting bracket

Pos.	Description	Type	0.9 - 1.5 kW	2.6 - 4.0 kW
		Kit No	96984147	96984148
188a	Screw		1	2
190	Lifting bracket		1	1

Bearing

Pos.	Description	Type	0.9 - 1.5 kW	2.6 - 4.0 kW
		Kit No	98682341	96690710
153	Bearing (lower)		1	1
154	Bearing (upper)		1	1

Connector plug (inner)

Pos.	Description/Kit No	96984144
16	O-ring	34.2 x 3.0 1
26a	O-ring	32.0 x 4.0 1
90b	O-ring	180.0 x 4.0 1
176	Connector (inner plug part)	1

Run capacitor

Pos.	Description	Type	Standard 1-phase and Ex
			0.9 - 1.2 kW
		Kit No	96898084
90b	O-ring	180.0 x 4.0	1



Pos.	Description	Type	Standard 1-phase and Ex	
			0.9 - 1.2 kW	
Kit No			96898084	
161c	Run capacitor and Pt1000 sensor with bracket		1	

SmartSeal (for guide claw)

Pos.	Description	DN 40		
		Type		
		Rubber type	NBR	FKM
Kit No		96592036	96659159	
-	SmartSeal		1	1

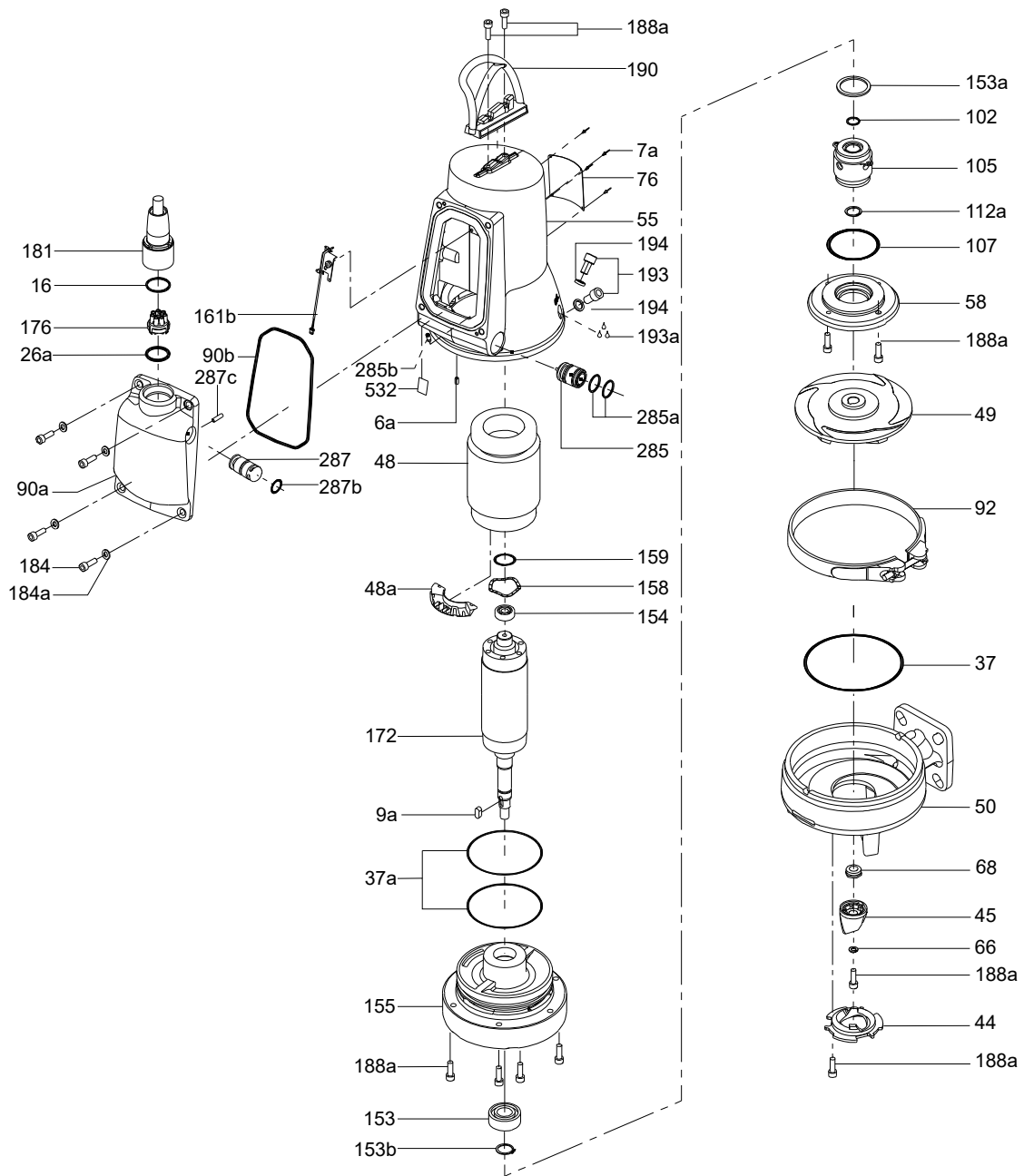
Shaft seal carrier

Pos.	Description/Kit No	SEG.50	
		99346051	
58	Shaft seal carrier	1	

Shaft with rotor

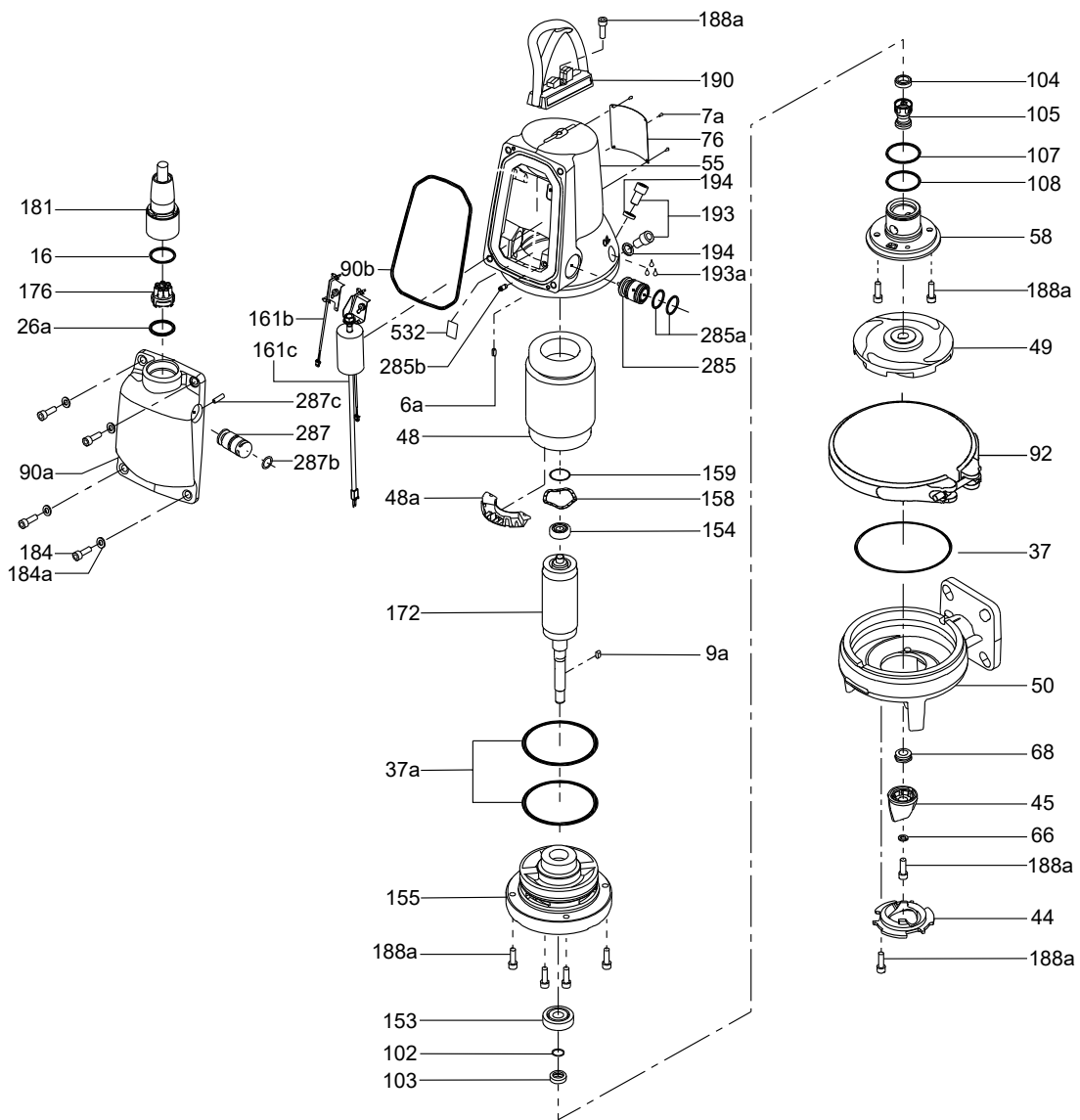
Pos.	Description	Type	SEG.50	
			2.6 kW	3.1 - 4.0 kW
			Kit No	
		99346054	99346058	
-	Shaft with rotor		1	1

2.6 - 4.0 kW



TM065770

0.9 - 1.5 kW



TM065750