

61.NKG

Model B

50/60 Hz

Contents of this chapter

Kit type

Shaft seal

Spacer ring for shaft seal

O-ring

Stuffing box, shaft sleeve and gland

Stuffing box, shaft guard and pipe

Shaft

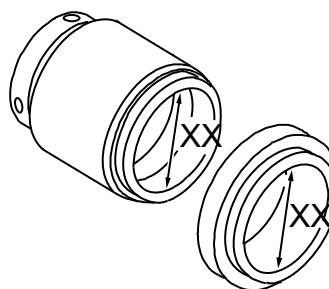
Bearings, spacer ring, V-ring and oil seal

Wear ring

Impeller

Nut, washer and key for impeller

Coupling



Shaft seal



Shaft seal designs

Content

Pos.	Description	BAQE	BAQV	BQQE	BQQV	BBQE	BBQV	DAQF	
105	Shaft seal	1	1	1	1	1	1	1	
Burgmann specification	Type	MG1/MG13/ XX-G6	MG1/MG13/ XX-G6	MG1/MG12/MG13/ XX-G6	MG1/MG12/MG13/ XX-G6	MG13/ XX-G6	MG13/ XX-G6	HJ92N/ XX-00	
	Material	Material code: A, B, C, D, E, F, G, H, I, J, K, M, N, P, S, T, U, W							
		AQ1E GG	AQ1V GG	Q7Q7E GG	Q7Q7V GG	BQ1E GG	BQ1V GG	AQ1V9 GG	
		Material code: L, R							
AQ1E MM	AQ1V MM	Q1Q1E MM	Q1Q1V MM	BQ1E MM	BQ1V MM	AQ1V9 MM			

Pos.	Description	DQQE	DQQV	DQQX	DQQK	AQQE	AQQX	AQQK	AQQV	AQAE	AQAV
105	Shaft seal	1	1	1	1	1	1	1	1	1	1
Burgmann specification	Type	HJ92N/ XX-00	HJ92N/ XX-00	HJ92N/ XX-00	HJ92N/ XX-00	M7N/ XX-00	M7N/ XX-00	M7N/ XX-00	M7N/ XX-00	M7N/ XX-00	M7N/ XX-00
	Material	Material code: A, B, C, D, E, F, G, H, I, J, K, M, N, P, S, T, U, W									
		Q6Q6E GG	Q6Q6V GG	Q6Q6X4 GG	Q6Q6K23 GG	Q1Q1E GG	Q1Q1X4 GG	Q1Q1K23 GG	Q1Q1V GG	Q1AE GG	Q1AV GG
		Material code: L, R									
Q6Q6E MM	Q6Q6V MM	Q6Q6X4MM	Q6Q6K23M M	Q1Q1E MM	Q1Q1X4MM	Q1Q1K23 MM	Q1Q1V MM	Q1AE MM	Q1AV MM		

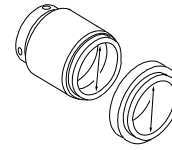
Pos.	Description	HBQV	HBQV/HBQV	HQQU/HBQV
105	Shaft seal	1	1	1
Burgmann specification	Type	CARTEX-SN/48-	CARTEX-DN/48-	CARTEX-DN/48-
		Material code: A, B, C, D, E, F, G, H, I, J, K, M, N, P, S, T, U, W		
	Material	BQ1V GG	BQ1V GG/BQ1V GG	Q1Q1U GG/BQ1V GG
		Material code: L, R		
		-	-	-

Note: XX = 28, 38, 48, 55 or 60. XX is the internal diameter of the shaft seal.

Shaft seal

Material code: A, B, C, D, E, F, G, H, I, J, K, M, N, P, S, T, U, W

The material code can be found in the type designation on the nameplate.



Shaft seal diameter

NKG 125-100-160 /160-142 H2 (F3) NKE O 2926

Pump type	Shaft seal dia.	BAQE		BAQV		BQQE			BQQV			BQQV ¹⁸⁾	
		MG1	MG13	MG1	MG13	MG1	MG12	MG13	MG1	MG12	MG13	MG13	
50-32-	125.1	28	97904582	99469500	97904583	96548353	97904585	97904589	98434904	97904586	97904591	98434905	98670789
	160.1	28	97904582	99469500	97904583	96548353	97904585	97904589	98434904	97904586	97904591	98434905	98670789
	200.1	28	97904582	99469500	97904583	96548353	97904585	97904589	98434904	97904586	97904591	98434905	98670789
	125	28	97904582	99469500	97904583	96548353	97904585	97904589	98434904	97904586	97904591	98434905	98670789
	160	28	97904582	99469500	97904583	96548353	97904585	97904589	98434904	97904586	97904591	98434905	98670789
	200	28	97904582	99469500	97904583	96548353	97904585	97904589	98434904	97904586	97904591	98434905	98670789
65-50-	125	28	97904582	99469500	97904583	96548353	97904585	97904589	98434904	97904586	97904591	98434905	98670789
	160	28	97904582	99469500	97904583	96548353	97904585	97904589	98434904	97904586	97904591	98434905	98670789
65-40-	200	28	97904582	99469500	97904583	96548353	97904585	97904589	98434904	97904586	97904591	98434905	98670789
	250	38	97904617	99469502	97904618	96548357	97904619	97904623	98434906	97904620	97904624	98434908	98670790
80-65-	315	38	97904617	99469502	97904618	96548357	97904619	97904623	98434906	97904620	97904624	98434908	98670790
	125	28	97904582	99469500	97904583	96548353	97904585	97904589	98434904	97904586	97904591	98434905	98670789
	160	28	97904582	99469500	97904583	96548353	97904585	97904589	98434904	97904586	97904591	98434905	98670789
80-50-	200	28	97904582	99469500	97904583	96548353	97904585	97904589	98434904	97904586	97904591	98434905	98670789
	250	38	97904617	99469502	97904618	96548357	97904619	97904623	98434906	97904620	97904624	98434908	98670790
	315	38	97904617	99469502	97904618	96548357	97904619	97904623	98434906	97904620	97904624	98434908	98670790
100-80-	125	28	97904582	99469500	97904583	96548353	97904585	97904589	98434904	97904586	97904591	98434905	98670789
	160	38	97904617	99469502	97904618	96548357	97904619	97904623	98434906	97904620	97904624	98434908	98670790
100-65-	200	38	97904617	99469502	97904618	96548357	97904619	97904623	98434906	97904620	97904624	98434908	98670790
	250	38	97904617	99469502	97904618	96548357	97904619	97904623	98434906	97904620	97904624	98434908	98670790
	315	48	97685469	99469498	97685472	96658791	97685475	97685485	98434909	97685477	97685486	98434941	98670801
125-80-	160	38	97904617	99469502	97904618	96548357	97904619	97904623	98434906	97904620	97904624	98434908	98670790
	200	38	97904617	99469502	97904618	96548357	97904619	97904623	98434906	97904620	97904624	98434908	98670790
	250	38	97904617	99469502	97904618	96548357	97904619	97904623	98434906	97904620	97904624	98434908	98670790
	315	48	97685469	99469498	97685472	96658791	97685475	97685485	98434909	97685477	97685486	98434941	98670801
	400.1	48	97685469	99469498	97685472	96658791	97685475	97685485	98434909	97685477	97685486	98434941	98670801
	400	48	97685469	99469498	97685472	96658791	97685475	97685485	98434909	97685477	97685486	98434941	98670801
125-100-	400 ¹⁸⁾ 9)	55	-	99469499	-	96658801	-	-	98434943	-	-	98434944	98670802
	160	38	97904617	99469502	97904618	96548357	97904619	97904623	98434906	97904620	97904624	98434908	98670790
	200	38	97904617	99469502	97904618	96548357	97904619	97904623	98434906	97904620	97904624	98434908	98670790
	250	48	97685469	99469498	97685472	96658791	97685475	97685485	98434909	97685477	97685486	98434941	98670801
	315	48	97685469	99469498	97685472	96658791	97685475	97685485	98434909	97685477	97685486	98434941	98670801
	400	48	97685469	99469498	97685472	96658791	97685475	97685485	98434909	97685477	97685486	98434941	98670801
150-125-	200	38	97904617	99469502	97904618	96548357	97904619	97904623	98434906	97904620	97904624	98434908	98670790
	250	48	97685469	99469498	97685472	96658791	97685475	97685485	98434909	97685477	97685486	98434941	98670801
	315	48	97685469	99469498	97685472	96658791	97685475	97685485	98434909	97685477	97685486	98434941	98670801
	400	48	97685469	99469498	97685472	96658791	97685475	97685485	98434909	97685477	97685486	98434941	98670801
	500	60	97685550	99469513	97685554	96658815	97685530	97685567	98434945	97685545	97685572	98434947	98670803

Pump type	Shaft seal dia.	BAQE		BAQV		BQQE			BQQV			BQQV ¹⁸⁾	
		MG1	MG13	MG1	MG13	MG1	MG12	MG13	MG1	MG12	MG13	MG13	
200-150-	200	38	97904617	99469502	97904618	96548357	97904619	97904623	98434906	97904620	97904624	98434908	98670790
	250	48	97685469	99469498	97685472	96658791	97685475	97685485	98434909	97685477	97685486	98434941	98670801
	315.1	55	97685548	99469499	97685552	96658801	97685528	97685565	98434943	97685542	97685570	98434944	98670802
	315.2	55	97685548	99469499	97685552	96658801	97685528	97685565	98434943	97685542	97685570	98434944	98670802
	315	55	97685548	99469499	97685552	96658801	97685528	97685565	98434943	97685542	97685570	98434944	98670802
	400	55	97685548	99469499	97685552	96658801	97685528	97685565	98434943	97685542	97685570	98434944	98670802
	500	60	97685550	99469513	97685554	96658815	97685530	97685567	98434945	97685545	97685572	98434947	98670803
250-200-	400	55	-	99469499	-	96658801	-	-	98434943	-	-	98434944	98670802
	450	55	-	99469499	-	96658801	-	-	98434943	-	-	98434944	98670802
300-250-	350	55	-	99469499	-	96658801	-	-	98434943	-	-	98434944	98670802
	400	55	-	99469499	-	96658801	-	-	98434943	-	-	98434944	98670802
	450	60	-	99469513	-	96658815	-	-	98434945	-	-	98434947	98670803
	500	60	-	99469513	-	96658815	-	-	98434945	-	-	98434947	98670803

¹⁸ PWIS-free shaft seal.

⁸⁾

¹⁸ For 2-pole model only.

⁹⁾

Pump type	Shaft seal dia.	BBQE			BBQV			BQBE	
		MG1	MG12	MG13	MG1	MG12	MG13	RMG13	
50-32-	125.1	28	97904587	97904592	96551963	97904588	97904593	97769885	96548351
	160.1	28	97904587	97904592	96551963	97904588	97904593	97769885	96548351
	200.1	28	97904587	97904592	96551963	97904588	97904593	97769885	96548351
	125	28	97904587	97904592	96551963	97904588	97904593	97769885	96548351
	160	28	97904587	97904592	96551963	97904588	97904593	97769885	96548351
	200	28	97904587	97904592	96551963	97904588	97904593	97769885	96548351
	250	38	97904621	97904625	96551928	97904622	97904626	97769887	96548356
65-50-	125	28	97904587	97904592	96551963	97904588	97904593	97769885	96548351
	160	28	97904587	97904592	96551963	97904588	97904593	97769885	96548351
65-40-	200	28	97904587	97904592	96551963	97904588	97904593	97769885	96548351
	250	38	97904621	97904625	96551928	97904622	97904626	97769887	96548356
80-65-	315	38	97904621	97904625	96551928	97904622	97904626	97769887	96548356
	125	28	97904587	97904592	96551963	97904588	97904593	97769885	96548351
80-50-	160	28	97904587	97904592	96551963	97904588	97904593	97769885	96548351
	200	28	97904587	97904592	96551963	97904588	97904593	97769885	96548351
100-80-	250	38	97904621	97904625	96551928	97904622	97904626	97769887	96548356
	315	38	97904621	97904625	96551928	97904622	97904626	97769887	96548356
100-65-	125	28	97904587	97904592	96551963	97904588	97904593	97769885	96548351
	160	38	97904621	97904625	96551928	97904622	97904626	97769887	96548356
125-80-	200	38	97904621	97904625	96551928	97904622	97904626	97769887	96548356
	250	38	97904621	97904625	96551928	97904622	97904626	97769887	96548356
125-80-	315	48	97685480	97685490	96658794	97685481	97685492	97769889	-
	400.1	48	97685480	97685490	96658794	97685481	97685492	97769889	-
	400	48	97685480	97685490	96658794	97685481	97685492	97769889	-
	400	48	97685480	97685490	96658794	97685481	97685492	97769889	-
	400 ¹⁹⁾	55	-	-	96658804	-	-	97769891	-

Pump type	Shaft seal dia.	BBQE			BBQV			BQBE	
		MG1	MG12	MG13	MG1	MG12	MG13	RMG13	
125-100-	160	38	97904621	97904625	96551928	97904622	97904626	97769887	96548356
	200	38	97904621	97904625	96551928	97904622	97904626	97769887	96548356
	250	48	97685480	97685490	96658794	97685481	97685492	97769889	-
	315	48	97685480	97685490	96658794	97685481	97685492	97769889	-
	400	48	97685480	97685490	96658794	97685481	97685492	97769889	-
150-125-	200	38	97904621	97904625	96551928	97904622	97904626	97769887	96548356
	250	48	97685480	97685490	96658794	97685481	97685492	97769889	-
	315	48	97685480	97685490	96658794	97685481	97685492	97769889	-
	400	48	97685480	97685490	96658794	97685481	97685492	97769889	-
	500	60	97685520	97685558	96658818	97685524	97685563	97769893	-
200-150-	200	38	97904621	97904625	96551928	97904622	97904626	97769887	96548356
	250	48	97685480	97685490	96658794	97685481	97685492	97769889	-
	315.1	55	97685525	97685556	96658804	97685522	97685560	97769891	-
	315.2	55	97685525	97685556	96658804	97685522	97685560	97769891	-
	315	55	97685525	97685556	96658804	97685522	97685560	97769891	-
	400	55	97685525	97685556	96658804	97685522	97685560	97769891	-
	500	60	97685520	97685558	96658818	97685524	97685563	97769893	-
250-200-	400	55	-	-	96658804	-	-	97769891	-
	450	55	-	-	96658804	-	-	97769891	-
300-250-	350	55	-	-	96658804	-	-	97769891	-
	400	55	-	-	96658804	-	-	97769891	-
	450	60	-	-	96658818	-	-	97769893	-
	500	60	-	-	96658818	-	-	97769893	-

¹⁹ For 2-pole model only.

0)

Pump type	Shaft seal dia.	DAQF	DQQE	DQQK	DQQV	DQQX	AQQE	AQQK	
		HJ92N	HJ977GN	HJ977GN	HJ977GN	HJ977GN	M7N	M7N	
50-32-	125.1	28	96548355	97769895	97769911	97769899	97769907	96551965	97769915
	160.1	28	96548355	97769895	97769911	97769899	97769907	96551965	97769915
	200.1	28	96548355	97769895	97769911	97769899	97769907	96551965	97769915
	125	28	96548355	97769895	97769911	97769899	97769907	96551965	97769915
	160	28	96548355	97769895	97769911	97769899	97769907	96551965	97769915
	200	28	96548355	97769895	97769911	97769899	97769907	96551965	97769915
	250	38	96548359	97769897	97769913	97769901	97769909	96551960	97769917
65-50-	125	28	96548355	97769895	97769911	97769899	97769907	96551965	97769915
	160	28	96548355	97769895	97769911	97769899	97769907	96551965	97769915
65-40-	200	28	96548355	97769895	97769911	97769899	97769907	96551965	97769915
	250	38	96548359	97769897	97769913	97769901	97769909	96551960	97769917
80-65-	125	28	96548355	97769895	97769911	97769899	97769907	96551965	97769915
	160	28	96548355	97769895	97769911	97769899	97769907	96551965	97769915
80-50-	200	28	96548355	97769895	97769911	97769899	97769907	96551965	97769915
	250	38	96548359	97769897	97769913	97769901	97769909	96551960	97769917
100-80-	125	28	96548355	97769895	97769911	97769899	97769907	96551965	97769915
	160	38	96548359	97769897	97769913	97769901	97769909	96551960	97769917
100-65-	200	38	96548359	97769897	97769913	97769901	97769909	96551960	97769917
	250	38	96548359	97769897	97769913	97769901	97769909	96551960	97769917
	315	48	96658796	97685509	97685516	97685511	97685514	96658799	97685504



Pump type	Shaft seal dia.	DAQF	DQQE	DQQK	DQQV	DQQX	AQQE	AQQK	
		HJ92N	HJ977GN	HJ977GN	HJ977GN	HJ977GN	M7N	M7N	
125-80-	160	38	96548359	97769897	97769913	97769901	97769909	96551960	97769917
	200	38	96548359	97769897	97769913	97769901	97769909	96551960	97769917
	250	38	96548359	97769897	97769913	97769901	97769909	96551960	97769917
	315	48	96658796	97685509	97685516	97685511	97685514	96658799	97685504
	400.1	48	96658796	97685509	97685516	97685511	97685514	96658799	97685504
	400	48	96658796	97685509	97685516	97685511	97685514	96658799	97685504
	400 ¹⁹⁾	55	96658807	97685596	97685608	97685600	97685604	96658810	97685588
125-100-	160	38	96548359	97769897	97769913	97769901	97769909	96551960	97769917
	200	38	96548359	97769897	97769913	97769901	97769909	96551960	97769917
	250	48	96658796	97685509	97685516	97685511	97685514	96658799	97685504
	315	48	96658796	97685509	97685516	97685511	97685514	96658799	97685504
	400	48	96658796	97685509	97685516	97685511	97685514	96658799	97685504
150-125-	200	38	96548359	97769897	97769913	97769901	97769909	96551960	97769917
	250	48	96658796	97685509	97685516	97685511	97685514	96658799	97685504
	315	48	96658796	97685509	97685516	97685511	97685514	96658799	97685504
	400	48	96658796	97685509	97685516	97685511	97685514	96658799	97685504
200-150-	200	38	96548359	97769897	97769913	97769901	97769909	96551960	97769917
	250	48	96658796	97685509	97685516	97685511	97685514	96658799	97685504
	315.1	55	96658807	97685596	97685608	97685600	97685604	96658810	97685588
200-150-	315.2	55	96658807	97685596	97685608	97685600	97685604	96658810	97685588
	315	55	96658807	97685596	97685608	97685600	97685604	96658810	97685588
	400	55	96658807	97685596	97685608	97685600	97685604	96658810	97685588
	500	60	96658820	97685598	97685610	97685602	97685606	96658823	97685590
	250-200-	200	38	96548359	97769897	97769913	97769901	97769909	96551960
250		48	96658796	97685509	97685516	97685511	97685514	96658799	97685504
315.1		55	96658807	97685596	97685608	97685600	97685604	96658810	97685588
315.2		55	96658807	97685596	97685608	97685600	97685604	96658810	97685588
250-200-	400	55	96658807	97685596	97685608	97685600	97685604	96658810	97685588
	450	55	96658807	97685596	97685608	97685600	97685604	96658810	97685588
	350	55	96658807	97685596	97685608	97685600	97685604	96658810	97685588
300-250-	400	55	96658807	97685596	97685608	97685600	97685604	96658810	97685588
	450	60	96658820	97685598	97685610	97685602	97685606	96658823	97685590
	500	60	96658820	97685598	97685610	97685602	97685606	96658823	97685590

¹⁹ For 2-pole model only.

1)

Pump type	Shaft seal dia.	AQQV	AQQX	AQAE	AQAV	HBQV	HBQV/HBQV	HQQU/HBQV	
		M7N	M7N	M7N	M7N	CARTEX-SN	CARTEX-DN	CARTEX-DN	
50-32-	125.1	28	96551967	97769903	96551964	96551966	97904597	97904598	97904599
	160.1	28	96551967	97769903	96551964	96551966	97904597	97904598	97904599
	200.1	28	96551967	97769903	96551964	96551966	97904597	97904598	97904599
	125	28	96551967	97769903	96551964	96551966	97904597	97904598	97904599
	160	28	96551967	97769903	96551964	96551966	97904597	97904598	97904599
65-50-	200	28	96551967	97769903	96551964	96551966	97904597	97904598	97904599
	250	38	96551962	97769905	96551929	96551961	97904629	97904630	97904631
	125	28	96551967	97769903	96551964	96551966	97904597	97904598	97904599
65-40-	160	28	96551967	97769903	96551964	96551966	97904597	97904598	97904599
	200	28	96551967	97769903	96551964	96551966	97904597	97904598	97904599
	250	38	96551962	97769905	96551929	96551961	97904629	97904630	97904631
80-65-	315	38	96551962	97769905	96551929	96551961	97904629	97904630	97904631
	125	28	96551967	97769903	96551964	96551966	97904597	97904598	97904599
80-50-	160	28	96551967	97769903	96551964	96551966	97904597	97904598	97904599
	200	28	96551967	97769903	96551964	96551966	97904597	97904598	97904599
	250	38	96551962	97769905	96551929	96551961	97904629	97904630	97904631
	315	38	96551962	97769905	96551929	96551961	97904629	97904630	97904631

Pump type	Shaft seal dia.	AQVQ	AQXQ	AQAE	AQAV	HBQV	HBQV/HBQV	HQQU/HBQV	
		M7N	M7N	M7N	M7N	CARTEX-SN	CARTEX-DN	CARTEX-DN	
100-80-	125	28	96551967	97769903	96551964	96551966	97904597	97904598	97904599
	160	38	96551962	97769905	96551929	96551961	97904629	97904630	97904631
100-65-	200	38	96551962	97769905	96551929	96551961	97904629	97904630	97904631
	250	38	96551962	97769905	96551929	96551961	97904629	97904630	97904631
	315	48	96658800	97685501	96658797	96658798	97685458	97685462	97685463
125-80-	160	38	96551962	97769905	96551929	96551961	97904629	97904630	97904631
	200	38	96551962	97769905	96551929	96551961	97904629	97904630	97904631
	250	38	96551962	97769905	96551929	96551961	97904629	97904630	97904631
	315	48	96658800	97685501	96658797	96658798	97685458	97685462	97685463
	400.1	48	96658800	97685501	96658797	96658798	97685458	97685462	97685463
	400	48	96658800	97685501	96658797	96658798	97685458	97685462	97685463
	400 ¹⁹²⁾	55	96658811	97685584	96658808	96658809	97685460	97685464	97685465
125-100-	160	38	96551962	97769905	96551929	96551961	97904629	97904630	97904631
	200	38	96551962	97769905	96551929	96551961	97904629	97904630	97904631
	250	48	96658800	97685501	96658797	96658798	97685458	97685462	97685463
	315	48	96658800	97685501	96658797	96658798	97685458	97685462	97685463
	400	48	96658800	97685501	96658797	96658798	97685458	97685462	97685463
150-125-	200	38	96551962	97769905	96551929	96551961	97904629	97904630	97904631
	250	48	96658800	97685501	96658797	96658798	97685458	97685462	97685463
	315	48	96658800	97685501	96658797	96658798	97685458	97685462	97685463
	400	48	96658800	97685501	96658797	96658798	97685458	97685462	97685463
200-150-	200	38	96551962	97769905	96551929	96551961	97904629	97904630	97904631
	250	48	96658800	97685501	96658797	96658798	97685458	97685462	97685463
	315.1	55	96658811	97685584	96658808	96658809	97685460	97685464	97685465
200-150-	315.2	55	96658811	97685584	96658808	96658809	97685460	97685464	97685465
	315	55	96658811	97685584	96658808	96658809	97685460	97685464	97685465
	400	55	96658811	97685584	96658808	96658809	97685460	97685464	97685465
	500	60	96658824	97685586	96658821	96658822	97685461	97685466	97685467
	400	55	96658811	97685584	96658808	96658809	-	-	-
250-200-	450	55	96658811	97685584	96658808	96658809	-	-	-
	350	55	96658811	97685584	96658808	96658809	-	-	-
300-250-	400	55	96658811	97685584	96658808	96658809	-	-	-
	450	60	96658824	97685586	96658821	96658822	-	-	-
	500	60	96658824	97685586	96658821	96658822	-	-	-

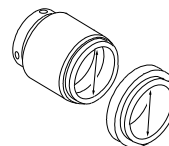
¹⁹ For 2-pole model only.

²⁾

Shaft seal

Material code: L, R

The material code can be found in the type designation on the nameplate.



Shaft seal diameter

NKG 125-100-160 /160-142 H2 F 3 (L) KE O 2926

Pump type	Shaft seal dia.	BQQE			BQQV			BQQV ¹⁹³⁾	
		MG1	MG12	MG13	MG1	MG12	MG13	MG13	
50-32-	125.1	28	97904603	97904608	96658826	97904604	97904609	96658828	98670804
	160.1	28	97904603	97904608	96658826	97904604	97904609	96658828	98670804
	200.1	28	97904603	97904608	96658826	97904604	97904609	96658828	98670804
	125	28	97904603	97904608	96658826	97904604	97904609	96658828	98670804
	160	28	97904603	97904608	96658826	97904604	97904609	96658828	98670804
	200	28	97904603	97904608	96658826	97904604	97904609	96658828	98670804
	250	38	97904635	97904640	96658837	97904637	97904641	96658839	98670805
65-50-	125	28	97904603	97904608	96658826	97904604	97904609	96658828	98670804
	160	28	97904603	97904608	96658826	97904604	97904609	96658828	98670804
65-40-	200	28	97904603	97904608	96658826	97904604	97904609	96658828	98670804
	250	38	97904635	97904640	96658837	97904637	97904641	96658839	98670805
	315	38	97904635	97904640	96658837	97904637	97904641	96658839	98670805
80-65-	125	28	97904603	97904608	96658826	97904604	97904609	96658828	98670804
	160	28	97904603	97904608	96658826	97904604	97904609	96658828	98670804
80-50-	200	28	97904603	97904608	96658826	97904604	97904609	96658828	98670804
	250	38	97904635	97904640	96658837	97904637	97904641	96658839	98670805
	315	38	97904635	97904640	96658837	97904637	97904641	96658839	98670805
100-80-	125	28	97904603	97904608	96658826	97904604	97904609	96658828	98670804
	160	38	97904635	97904640	96658837	97904637	97904641	96658839	98670805
100-65-	200	38	97904635	97904640	96658837	97904637	97904641	96658839	98670805
	250	38	97904635	97904640	96658837	97904637	97904641	96658839	98670805
	315	48	97685478	97685487	96658858	97685479	97685489	96658861	98670806
125-80-	160	38	97904635	97904640	96658837	97904637	97904641	96658839	98670805
	200	38	97904635	97904640	96658837	97904637	97904641	96658839	98670805
	250	38	97904635	97904640	96658837	97904637	97904641	96658839	98670805
	315	48	97685478	97685487	96658858	97685479	97685489	96658861	98670806
	400.1	48	-	-	96658858	-	-	96658861	98670806
	400	48	97685478	97685487	96658858	97685479	97685489	96658861	98670806
	400 ¹⁹⁴⁾	55	97685529	97685566	97769927	97685544	97685571	97769929	98670807
125-100-	160	38	97904635	97904640	96658837	97904637	97904641	96658839	98670805
	200	38	97904635	97904640	96658837	97904637	97904641	96658839	98670805
	250	48	97685478	97685487	96658858	97685479	97685489	96658861	98670806
	315	48	97685478	97685487	96658858	97685479	97685489	96658861	98670806
	400	48	97685478	97685487	96658858	97685479	97685489	96658861	98670806
150-125-	200	38	97904635	97904640	96658837	97904637	97904641	96658839	98670805
	250	48	97685478	97685487	96658858	97685479	97685489	96658861	98670806
	315	48	97685478	97685487	96658858	97685479	97685489	96658861	98670806
	400	48	97685478	97685487	96658858	97685479	97685489	96658861	98670806
	500	60	97685541	97685569	97769928	97685546	97685573	97769930	98670808

Pump type	Shaft seal dia.	BQQE			BQQV			BQQV ¹⁹³⁾	
		MG1	MG12	MG13	MG1	MG12	MG13	MG13	
200-150-	200	38	97904635	97904640	96658837	97904637	97904641	96658839	98670805
	250	48	97685478	97685487	96658858	97685479	97685489	96658861	98670806
	315.1	55	97685529	97685566	97769927	97685544	97685571	97769929	98670807
	315.2	55	97685529	97685566	97769927	97685544	97685571	97769929	98670807
	315	55	97685529	97685566	97769927	97685544	97685571	97769929	98670807
	400	55	97685529	97685566	97769927	97685544	97685571	97769929	98670807
	500	60	97685541	97685569	97769928	97685546	97685573	97769930	98670808
250-200-	400	55	-	-	-	-	-	-	-
	450	55	-	-	-	-	-	-	-
300-250-	350	55	-	-	-	-	-	-	-
	400	55	-	-	-	-	-	-	-
	450	60	-	-	-	-	-	-	-
	500	60	-	-	-	-	-	-	-

¹⁹ For 2-pole model only.

3)

¹⁹ PWIS-free shaft seal.

4)

Pump type	Shaft seal dia.	BBQE			BBQV			BQBE	GQQE	GQQV	DAQF	
		MG1	MG12	MG13	MG1	MG12	MG13	RMG13	MG13S	MG13S	HJ92N	
50-32-	125.1	28	97904605	97904610	96658829	97904606	97904611	97769886	96658830	-	-	96658831
	160.1	28	97904605	97904610	96658829	97904606	97904611	97769886	96658830	-	-	96658831
	200.1	28	97904605	97904610	96658829	97904606	97904611	97769886	96658830	-	-	96658831
	125	28	97904605	97904610	96658829	97904606	97904611	97769886	96658830	-	-	96658831
	160	28	97904605	97904610	96658829	97904606	97904611	97769886	96658830	-	-	96658831
	200	28	97904605	97904610	96658829	97904606	97904611	97769886	96658830	-	-	96658831
	250	38	97904638	97904642	96658850	97904639	97904643	97769888	96658830	-	-	96658852
65-50-	125	28	97904605	97904610	96658829	97904606	97904611	97769886	96658830	-	-	96658831
	160	28	97904605	97904610	96658829	97904606	97904611	97769886	96658830	-	-	96658831
65-40-	200	28	97904605	97904610	96658829	97904606	97904611	97769886	96658830	-	-	96658831
	250	38	97904638	97904642	96658850	97904639	97904643	97769888	96658851	-	-	96658852
	315	38	97904638	97904642	96658850	97904639	97904643	97769888	96658851	-	-	96658852
80-65-	125	28	97904605	97904610	96658829	97904606	97904611	97769886	96658830	-	-	96658831
	160	28	97904605	97904610	96658829	97904606	97904611	97769886	96658830	-	-	96658831
80-50-	200	28	97904605	97904610	96658829	97904606	97904611	97769886	96658830	-	-	96658831
	250	38	97904638	97904642	96658850	97904639	97904643	97769888	96658851	-	-	96658852
	315	38	97904638	97904642	96658850	97904639	97904643	97769888	96658851	-	-	96658852
100-80-	125	28	97904605	97904610	96658829	97904606	97904611	97769886	96658830	-	-	96658831
	160	38	97904638	97904642	96658850	97904639	97904643	97769888	96658851	-	-	96658852
100-65-	200	38	97904638	97904642	96658850	97904639	97904643	97769888	96658851	-	-	96658852
	250	38	97904638	97904642	96658850	97904639	97904643	97769888	96658851	-	-	96658852
	315	48	97685482	97685493	96658862	97685484	97685494	97769890	-	-	-	96658863
125-80-	160	38	97904638	97904642	96658850	97904639	97904643	97769888	96658851	-	-	96658852
	200	38	97904638	97904642	96658850	97904639	97904643	97769888	96658851	-	-	96658852
	250	38	97904638	97904642	96658850	97904639	97904643	97769888	96658851	-	-	96658852
	315	48	97685482	97685493	96658862	97685484	97685494	97769890	-	-	-	96658863
	400.1	48	-	-	96658862	-	-	97769890	-	-	-	96658863
	400	48	97685482	97685493	96658862	97685484	97685494	97769890	-	-	-	96658863
	400 ¹⁹⁵⁾	55	97685519	97685557	97769931	97685523	97685562	97769892	-	-	-	97536552
125-100-	160	38	97904638	97904642	96658850	97904639	97904643	97769888	96658851	-	-	96658852
	200	38	97904638	97904642	96658850	97904639	97904643	97769888	96658851	-	-	96658852
	250	48	97685482	97685493	96658862	97685484	97685494	97769890	-	-	-	96658863
	315	48	97685482	97685493	96658862	97685484	97685494	97769890	-	-	-	96658863
	400	48	97685482	97685493	96658862	97685484	97685494	97769890	-	-	-	96658863



Pump type	Shaft seal dia.	BBQE			BBQV			BQBE	GQQE	GQQV	DAQF	
		MG1	MG12	MG13	MG1	MG12	MG13	RMG13	MG13S	MG13S	HJ92N	
150-125-	200	38	97904638	97904642	96658850	97904639	97904643	97769888	96658851	-	-	96658852
	250	48	97685482	97685493	96658862	97685484	97685494	97769890	-	-	-	96658863
	315	48	97685482	97685493	96658862	97685484	97685494	97769890	-	-	-	96658863
	400	48	97685482	97685493	96658862	97685484	97685494	97769890	-	-	-	96658863
	500	60	97685521	97685559	97769932	97685527	97685564	97769894	-	-	-	97536595
200-150-	200	38	97904638	97904642	96658850	97904639	97904643	97769888	96658851	-	-	96658852
	250	48	97685482	97685493	96658862	97685484	97685494	97769890	-	-	-	96658863
	315.1	55	97685519	97685557	97769931	97685523	97685562	97769892	-	-	-	97536552
	315.2	55	97685519	97685557	97769931	97685523	97685562	97769892	-	-	-	97536552
	315	55	97685519	97685557	97769931	97685523	97685562	97769892	-	-	-	97536552
	400	55	97685519	97685557	97769931	97685523	97685562	97769892	-	-	-	97536552
	500	60	97685521	97685559	97769932	97685527	97685564	97769894	-	-	-	97536595
250-200-	400	55	-	-	-	-	-	-	-	-	-	-
	450	55	-	-	-	-	-	-	-	-	-	-
300-250-	350	55	-	-	-	-	-	-	-	-	-	-
	400	55	-	-	-	-	-	-	-	-	-	-
	450	60	-	-	-	-	-	-	-	-	-	-
500	60	-	-	-	-	-	-	-	-	-	-	

¹⁹ For 2-pole model only.
⁵⁾

Pump type	Shaft seal dia.	DQQE	DQQK	DQQV	DQQX	AQQE	AQQK	AQQV	AQQX	AQAE	AQAV	
		HJ977GN	HJ977GN	HJ977GN	HJ977GN	M7N	M7N	M7N	M7N	M7N	M7N	
50-32-	125.1	28	97769896	97769912	97769900	97769908	96658834	97769916	96658835	97769904	96658832	96658833
	160.1	28	97769896	97769912	97769900	97769908	96658834	97769916	96658835	97769904	96658832	96658833
	200.1	28	97769896	97769912	97769900	97769908	96658834	97769916	96658835	97769904	96658832	96658833
	125	28	97769896	97769912	97769900	97769908	96658834	97769916	96658835	97769904	96658832	96658833
	160	28	97769896	97769912	97769900	97769908	96658834	97769916	96658835	97769904	96658832	96658833
65-50-	200	28	97769896	97769912	97769900	97769908	96658834	97769916	96658835	97769904	96658832	96658833
	250	38	97769898	97769914	97769902	97769910	96658855	97769918	96658856	97769906	96658853	96658854
	125	28	97769896	97769912	97769900	97769908	96658834	97769916	96658835	97769904	96658832	96658833
65-40-	160	28	97769896	97769912	97769900	97769908	96658834	97769916	96658835	97769904	96658832	96658833
	200	28	97769896	97769912	97769900	97769908	96658834	97769916	96658835	97769904	96658832	96658833
80-65-	250	38	97769898	97769914	97769902	97769910	96658855	97769918	96658856	97769906	96658853	96658854
	315	38	97769898	97769914	97769902	97769910	96658855	97769918	96658856	97769906	96658853	96658854
80-50-	125	28	97769896	97769912	97769900	97769908	96658834	97769916	96658835	97769904	96658832	96658833
	160	28	97769896	97769912	97769900	97769908	96658834	97769916	96658835	97769904	96658832	96658833
	200	28	97769896	97769912	97769900	97769908	96658834	97769916	96658835	97769904	96658832	96658833
100-80-	250	38	97769898	97769914	97769902	97769910	96658855	97769918	96658856	97769906	96658853	96658854
	160	38	97769898	97769914	97769902	97769910	96658855	97769918	96658856	97769906	96658853	96658854
100-65-	200	38	97769898	97769914	97769902	97769910	96658855	97769918	96658856	97769906	96658853	96658854
	250	38	97769898	97769914	97769902	97769910	96658855	97769918	96658856	97769906	96658853	96658854
125-80-	315	48	97685510	97685518	97685513	97685515	96658866	97685505	96658867	97685502	96658864	96658865
	160	38	97769898	97769914	97769902	97769910	96658855	97769918	96658856	97769906	96658853	96658854
	200	38	97769898	97769914	97769902	97769910	96658855	97769918	96658856	97769906	96658853	96658854
	250	38	97769898	97769914	97769902	97769910	96658855	97769918	96658856	97769906	96658853	96658854
	315	48	97685510	97685518	97685513	97685515	96658866	97685505	96658867	97685502	96658864	96658865
	400.1	48	97685510	97685518	97685513	97685515	96658866	97685505	96658867	97685502	96658864	96658865
	400	48	97685510	97685518	97685513	97685515	96658866	97685505	96658867	97685502	96658864	96658865
400 ¹⁹⁶⁾	55	97685597	97685609	97685601	97685605	97536543	97685589	97536544	97685585	97769923	97769925	

Pump type	Shaft seal dia.	DQQE	DQQK	DQQV	DQQX	AQQE	AQQK	AQQV	AQQX	AQAE	AQAV	
		HJ977GN	HJ977GN	HJ977GN	HJ977GN	M7N	M7N	M7N	M7N	M7N	M7N	
125-100-	160	38	97769898	97769914	97769902	97769910	96658855	97769918	96658856	97769906	96658853	96658854
	200	38	97769898	97769914	97769902	97769910	96658855	97769918	96658856	97769906	96658853	96658854
	250	48	97685510	97685518	97685513	97685515	96658866	97685505	96658867	97685502	96658864	96658865
	315	48	97685510	97685518	97685513	97685515	96658866	97685505	96658867	97685502	96658864	96658865
	400	48	97685510	97685518	97685513	97685515	96658866	97685505	96658867	97685502	96658864	96658865
150-125-	200	38	97769898	97769914	97769902	97769910	96658855	97769918	96658856	97769906	96658853	96658854
	250	48	97685510	97685518	97685513	97685515	96658866	97685505	96658867	97685502	96658864	96658865
	315	48	97685510	97685518	97685513	97685515	96658866	97685505	96658867	97685502	96658864	96658865
	400	48	97685510	97685518	97685513	97685515	96658866	97685505	96658867	97685502	96658864	96658865
	500	60	97685599	97685611	97685603	97685607	97536585	97685591	97536586	97685587	97769924	97769926
200-150-	200	38	97769898	97769914	97769902	97769910	96658855	97769918	96658856	97769906	96658853	96658854
	250	48	97685510	97685518	97685513	97685515	96658866	97685505	96658867	97685502	96658864	96658865
	315.1	55	97685597	97685609	97685601	97685605	97536543	97685589	97536544	97685585	97769923	97769925
	315.2	55	97685597	97685609	97685601	97685605	97536543	97685589	97536544	97685585	97769923	97769925
	315	55	97685597	97685609	97685601	97685605	97536543	97685589	97536544	97685585	97769923	97769925
250-200-	400	55	97685597	97685609	97685601	97685605	97536543	97685589	97536544	97685585	97769923	97769925
	400	55	97685597	97685609	97685601	97685605	97536543	97685589	97536544	97685585	97769923	97769925
	500	60	97685599	97685611	97685603	97685607	97536585	97685591	97536586	97685587	97769924	97769926
	400	55	-	-	-	-	-	-	-	-	-	-
	450	55	-	-	-	-	-	-	-	-	-	-
300-250-	350	55	-	-	-	-	-	-	-	-	-	-
	400	55	-	-	-	-	-	-	-	-	-	-
	450	60	-	-	-	-	-	-	-	-	-	-
	500	60	-	-	-	-	-	-	-	-	-	-
	500	60	-	-	-	-	-	-	-	-	-	-

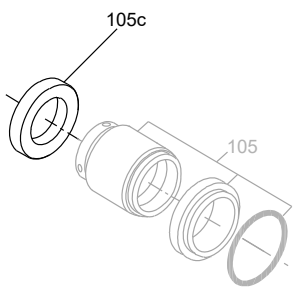
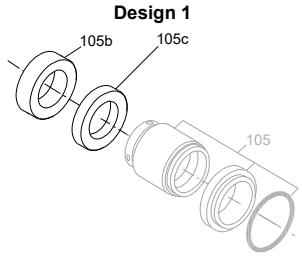
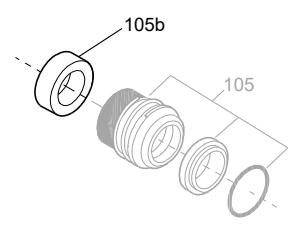
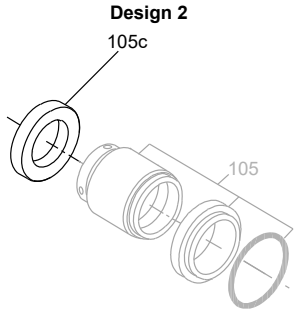
¹⁹ For 2-pole model only.
6)

Spacer ring for shaft seal

Shaft seal arrangement, "S"

NKG 50-32 -125 .1 A1 F 2 N V SBAQV


(pos. 105b and 105c)

28, 48, 55 and 60 mm	38 mm	
 <p>HJ92N, M7N, HJ977GN</p>	<p>Design 1</p>  <p>HJ92N, M7N, HJ977GN</p>  <p>MG13, RMG13</p>	<p>Design 2</p>  <p>HJ92N, M7N, HJ977GN</p>

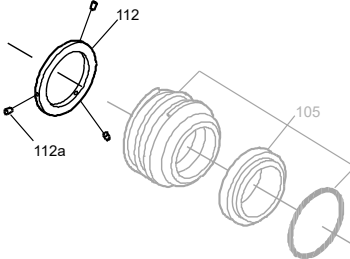
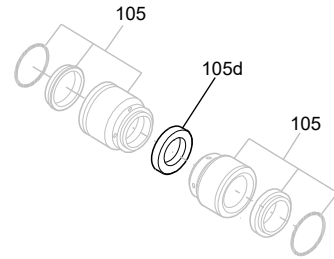
Pos.	Shaft seal diameter [mm]	Description	Length [mm]	Material code	
				A, B, C, D, E, F, G, H, K, M, N, P, S	I, J, L, R, T, U, W
105b	38	Spacer ring	15.5	96591277	96938601
	28		7.5	96938597	96938598
	38		10	96938599	96938600
105c	48		15	96938602	96938603
	55		22.5	96938604	96938605
	60		17.5	96938606	96938607
105b and 105c	38		15.5	96930797	96930799
		10			

38 mm spacer ring		
Pump type	Shaft seal dia.	Design
	125.1	-
	160.1	-
	200.1	-
50-32-	125	-
	160	-
	200	-
	250	2
65-50-	125	-
	160	-
	200	-
65-40-	250	2
	315	2
80-65-	125	-
	160	-
	200	-
80-50-	250	2
	315	1
100-80-	125	-
	160	2
	200	2
100-65-	250	1
	315	-
	160	2
	200	1
125-80-	250	1
	315	-
	400	-
	160	2
	200	1
125-100-	250	-
	315	-
	400	-
	200	1
	250	-
150-125-	315	-
	400	-
	500	-
	200	1
	250	-
200-150-	315.1	48/55
	315.2	48/55
	315	-
	400	-
	500	-
250-200-	400	-
	450	-
	350	-
300-250-	400	-
	450	-
	500	-

Shaft seal arrangements, "O" and "P"

NKG 125-100-160/160-142 H2 F 3 N KE  2926

(pos. 105d, 112 and 112a)

28, 38, 48, 55 and 60 mm	55 and 60 mm
	
MG1	HJ92N, M7N, HJ977GN

Spacer ring

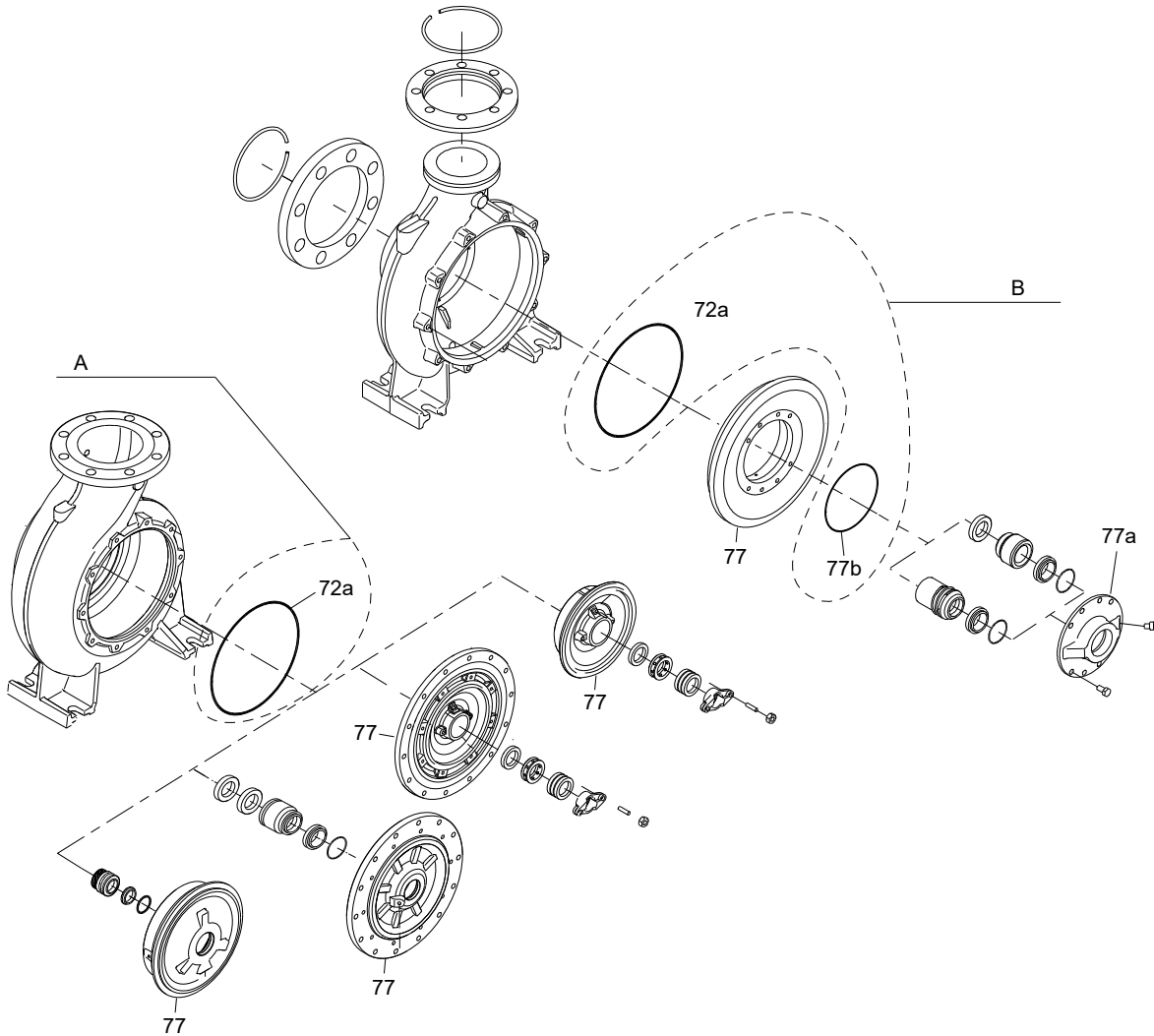
Pos.	Shaft seal diameter [mm]	Description	Length [mm]	Material code	
				A, B, C, D, E, F, G, H, K, M, N, P, S	I, J, L, R, T, U, W
112 + 112a	28	Spacer ring	8.5	97931570	97931570
	38		6	97931581	97931581
	48		5.5	97757584	97757584
	55		5.5	97757652	97757652
	60		5.5	97757653	97757653
105d	55		4	97757654	97757654
	60		2	97757655	97757655

O-ring

Shaft seal arrangement, single seal "S" and stuffing box "B"

NKG 50-32 -125 .1 A1 F 2 N V (S)BAQV

NKG 50-32 -125 .1 A1 F 2 N V (B)SNEA



TM046803

Pos.	Description
A	Example 1
B	Example 2

Content		
Pos.		
Kit 1	72a	1 x O-ring
Kit 2	77b	1 x O-ring

The O-ring materials can be found in the type designation on the nameplate.

Code	Material
E	EPDM
M	FEPS
K	FFKM
V	FKM
F	FXM
X	HNBR

Example 1 - pump with cover, pos. 77 onlyNKG 50-32 -125 .1 A1 F 2 N (V) S BAQV

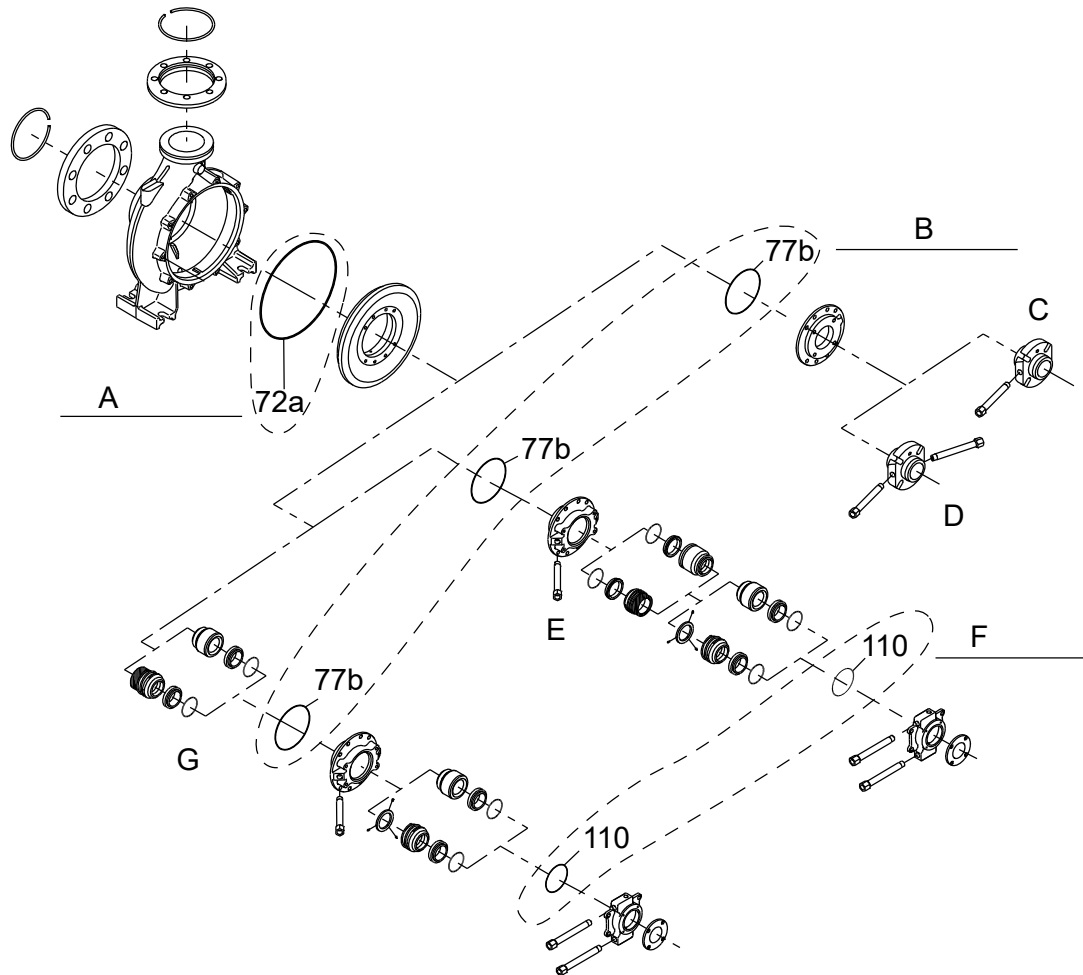
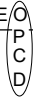
Code V describes a pump with O-ring kit 1 containing an FKM O-ring (V).

Example 2 - pump with cover, pos. 77 and 77aNKG 50-32 -125 .1 A1 F 2 N (V) S BAQV

Code V describes a pump with cover 77 and 77a with O-ring kit 1 + 2 containing FKM O-rings (V).

Shaft seal arrangements, "O", "P", "C" and "D"

NKG 125-100-160/160-142 H2 F 3 N KE 2926



Pos.	Description
A	O-ring kit 1
B	O-ring kit 2
C	Single cartridge
D	Double cartridge
E	Double seal, back to back
F	O-ring kit 3
G	Double seal, tandem

Content		
Pos.		
Kit 1	72a	1 x O-ring
Kit 2	77b	1 x O-ring
Kit 3	110	1 x O-ring

The O-ring materials can be found in the type designation on the nameplate.

TMO46798

Code	Material
E	EPDM
M	FEPS
K	FFKM
V	FKM
F	FXM
X	HNBR

Example 1

NKG 125-100-160/160-142 H2 F 3 N(F)_DC DAQF

Code with one letter describes a pump with O-ring kit 1 + 2.
Code F describes a pump with O-ring kit 1 + 2 of FXM (F).

Example 2

NKG 125-100-160/160-142 H2 F 3 N KE(O)_D2926

Code with two letters describes a pump with O-ring kit 1 + 2 + 3.
Code KE describes a pump with O-ring kit 1 + 2 of FFKM (K) and O-ring kit 3 of EPDM (E).

Pump type	O-ring kit 1 (pos. 72a)						
	E (EPDM)	M (FEPS)	K (FFKM)	V (FKM)	F (FXM)	X (HNBR)	
50-32-	125.1	97757659	97904673	97904674	97757697	97790022	97904675
	160.1	97757659	97904673	97904674	97757697	97790022	97904675
	200.1	97757671	97904679	97904691	97757698	97790080	97904692
	125	97757659	97904673	97904674	97757697	97790022	97904675
	160	97757659	97904673	97904674	97757697	97790022	97904675
	200	97757671	97904679	97904691	97757698	97790080	97904692
	250	97757672	97904676	97904677	97757699	97790081	97904678
65-50-	125	97757659	97904673	97904674	97757697	97790022	97904675
	160	97757659	97904673	97904674	97757697	97790022	97904675
65-40-	200	97757671	97904679	97904691	97757698	97790080	97904692
	250	97757672	97904676	97904677	97757699	97790081	97904678
80-65-	315	97757675	96887770	96887761	97757705	96887764	96887767
	125	97757659	97904673	97904674	97757697	97790022	97904675
	160	97757659	97904673	97904674	97757697	97790022	97904675
80-50-	200	97757671	97904679	97904691	97757698	97790080	97904692
	250	97757672	97904676	97904677	97757699	97790081	97904678
	315	97757675	96887770	96887761	97757705	96887764	96887767
100-80-	125	97757659	97904673	97904674	97757697	97790022	97904675
	160	97757659	97904673	97904674	97757697	97790022	97904675
100-65-	200	97757671	97904679	97904691	97757698	97790080	97904692
	250	97757673	96887769	96887760	97757703	96887763	96887766
125-80-	315	97757675	96887770	96887761	97757705	96887764	96887767
	160	97757659	97904673	97904674	97757697	97790022	97904675
	200	97757671	97904679	97904691	97757698	97790080	97904692
	250	97757673	96887769	96887760	97757703	96887763	96887766
	315	97757675	96887770	96887761	97757705	96887764	96887767
125-50-	400.1	97757676	96887771	96887762	97757707	96887765	96887768
	400	97757676	96887771	96887762	97757707	96887765	96887768

Pump type	O-ring kit 1 (pos. 72a)						
	E (EPDM)	M (FEPS)	K (FFKM)	V (FKM)	F (FXM)	X (HNBR)	
125-100-	160	97757659	97904673	97904674	97757697	97790022	97904675
	200	97757671	97904679	97904691	97757698	97790080	97904692
	250	97757673	96887769	96887760	97757703	96887763	96887766
	315	97757675	96887770	96887761	97757705	96887764	96887767
	400	97757676	96887771	96887762	97757707	96887765	96887768
150-125-	200	97757671	97904679	97904691	97757698	97790080	97904692
	250	97757673	96887769	96887760	97757703	96887763	96887766
	315	97757675	96887770	96887761	97757705	96887764	96887767
	400	97757676	96887771	96887762	97757707	96887765	96887768
	500	97757679	97536641	97536606	97757712	97536608	97536609
200-150-	200	97757671	97904679	97904691	97757698	97790080	97904692
	250	97757673	96887769	96887760	97757703	96887763	96887766
	315.1	97757675	96887770	96887761	97757705	96887764	96887767
	315.2	97757675	96887770	96887761	97757705	96887764	96887767
	315	97757675	96887770	96887761	97757705	96887764	96887767
	400	97757676	96887771	96887762	97757707	96887765	96887768
	500	97757679	97536641	97536606	97757712	97536608	97536609
250-200-	400	97757676	-	-	97757707	96887765	-
	450	97757677	-	-	97757708	97790102	-
300-250-	350	97757676	-	-	97757707	96887765	-
	400	97757676	-	-	97757707	96887765	-
	450	97757677	-	-	97757708	97790102	-
	500	97757679	-	-	97757712	97536608	-

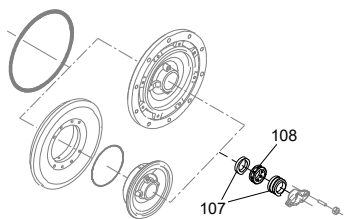
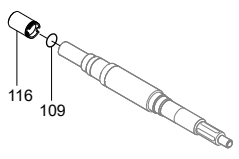
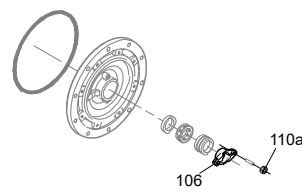
Pump type	O-ring kit 2 (pos. 77b)						
	E (EPDM)	M (FEPS)	K (FFKM)	V (FKM)	F (FXM)	X (HNBR)	
50-32-	125.1	97761203	97685619	97685617	97761204	97685616	97685618
	160.1	97761203	97685619	97685617	97761204	97685616	97685618
	200.1	97761203	97685619	97685617	97761204	97685616	97685618
	125	97761203	97685619	97685617	97761204	97685616	97685618
	160	97761203	97685619	97685617	97761204	97685616	97685618
	200	97761203	97685619	97685617	97761204	97685616	97685618
	250	97761203	97685619	97685617	97761204	97685616	97685618
65-50-	125	97761203	97685619	97685617	97761204	97685616	97685618
	160	97761203	97685619	97685617	97761204	97685616	97685618
65-40-	200	97761203	97685619	97685617	97761204	97685616	97685618
	250	97761203	97685619	97685617	97761204	97685616	97685618
	315	97761203	97685619	97685617	97761204	97685616	97685618
80-65-	125	97761203	97685619	97685617	97761204	97685616	97685618
	160	97761203	97685619	97685617	97761204	97685616	97685618
80-50-	200	97761203	97685619	97685617	97761204	97685616	97685618
	250	97761203	97685619	97685617	97761204	97685616	97685618
	315	97761203	97685619	97685617	97761204	97685616	97685618
100-80-	125	97761203	97685619	97685617	97761204	97685616	97685618
	160	97761203	97685619	97685617	97761204	97685616	97685618
100-65-	200	97761203	97685619	97685617	97761204	97685616	97685618
	250	97761203	97685619	97685617	97761204	97685616	97685618
	315	97757693	96887775	96887772	97757714	96887773	96887774

Pump type	O-ring kit 2 (pos. 77b)							
	E (EPDM)	M (FEPS)	K (FFKM)	V (FKM)	F (FXM)	X (HNBR)		
125-80-	160	97761203	97685619	97685617	97761204	97685616	97685618	
	200	97761203	97685619	97685617	97761204	97685616	97685618	
	250	97761203	97685619	97685617	97761204	97685616	97685618	
	315	97757693	96887775	96887772	97757714	96887773	96887774	
	400.1	97757693	96887775	96887772	97757714	96887773	96887774	
	400	97757693	96887775	96887772	97757714	96887773	96887774	
125-100-	160	97761203	97685619	97685617	97761204	97685616	97685618	
	200	97761203	97685619	97685617	97761204	97685616	97685618	
	250	97757693	96887775	96887772	97757714	96887773	96887774	
	315	97757693	96887775	96887772	97757714	96887773	96887774	
	400	97757693	96887775	96887772	97757714	96887773	96887774	
	500	97757693	96887775	96887772	97757714	96887773	96887774	
150-125-	200	97761203	97685619	97685617	97761204	97685616	97685618	
	250	97757693	96887775	96887772	97757714	96887773	96887774	
	315	97757693	96887775	96887772	97757714	96887773	96887774	
	400	97757693	96887775	96887772	97757714	96887773	96887774	
	500	97757693	96887775	96887772	97757714	96887773	96887774	
	500	97757693	96887775	96887772	97757714	96887773	96887774	
200-150-	200	97761203	97685619	97685617	97761204	97685616	97685618	
	250	97757693	96887775	96887772	97757714	96887773	96887774	
	315.1	97757693	96887775	96887772	97757714	96887773	96887774	
	315.2	97757693	96887775	96887772	97757714	96887773	96887774	
	315	97757693	96887775	96887772	97757714	96887773	96887774	
	400	97757693	96887775	96887772	97757714	96887773	96887774	
250-200-	400	-	-	-	-	-	-	
	450	-	-	-	-	-	-	
	300-250-	350	-	-	-	-	-	-
		400	-	-	-	-	-	-
		450	-	-	-	-	-	-
		500	-	-	-	-	-	-

Pump type	O-ring kit 3 (pos. 110)						
	E (EPDM)	M (FEPS)	K (FFKM)	V (FKM)	F (FXM)	X (HNBR)	
50-32-	125.1	97904663	97904671	97904668	97904666	97904667	97904669
	160.1	97904663	97904671	97904668	97904666	97904667	97904669
	200.1	97904663	97904671	97904668	97904666	97904667	97904669
	125	97904663	97904671	97904668	97904666	97904667	97904669
	160	97904663	97904671	97904668	97904666	97904667	97904669
	200	97904663	97904671	97904668	97904666	97904667	97904669
	250	97904647	97904660	97904650	97904648	97904649	97904659
65-50-	125	97904663	97904671	97904668	97904666	97904667	97904669
	160	97904663	97904671	97904668	97904666	97904667	97904669
65-40-	200	97904663	97904671	97904668	97904666	97904667	97904669
	250	97904647	97904660	97904650	97904648	97904649	97904659
	315	97904647	97904660	97904650	97904648	97904649	97904659
80-65-	125	97904663	97904671	97904668	97904666	97904667	97904669
	160	97904663	97904671	97904668	97904666	97904667	97904669
80-50-	200	97904663	97904671	97904668	97904666	97904667	97904669
	250	97904647	97904660	97904650	97904648	97904649	97904659
	315	97904647	97904660	97904650	97904648	97904649	97904659
100-80-	125	97904663	97904671	97904668	97904666	97904667	97904669
	160	97904647	97904660	97904650	97904648	97904649	97904659

Pump type	O-ring kit 3 (pos. 110)						
	E (EPDM)	M (FEPS)	K (FFKM)	V (FKM)	F (FXM)	X (HNBR)	
100-65-	200	97904647	97904660	97904650	97904648	97904649	97904659
	250	97904647	97904660	97904650	97904648	97904649	97904659
	315	97757691	97685614	97685615	97757713	97685612	97685613
125-80-	160	97904647	97904660	97904650	97904648	97904649	97904659
	200	97904647	97904660	97904650	97904648	97904649	97904659
	250	97904647	97904660	97904650	97904648	97904649	97904659
	315	97757691	97685614	97685615	97757713	97685612	97685613
	400.1	97757691	97685614	97685615	97757713	97685612	97685613
125-100-	400	97757691	97685614	97685615	97757713	97685612	97685613
	160	97904647	97904660	97904650	97904648	97904649	97904659
	200	97904647	97904660	97904650	97904648	97904649	97904659
	250	97757691	97685614	97685615	97757713	97685612	97685613
	315	97757691	97685614	97685615	97757713	97685612	97685613
150-125-	400	97757691	97685614	97685615	97757713	97685612	97685613
	200	97904647	97904660	97904650	97904648	97904649	97904659
	250	97757691	97685614	97685615	97757713	97685612	97685613
	315	97757691	97685614	97685615	97757713	97685612	97685613
	400	97757691	97685614	97685615	97757713	97685612	97685613
200-150-	500	97761203	97685619	97685617	97761204	97685616	97685618
	200	97904647	97904660	97904650	97904648	97904649	97904659
	250	97757691	97685614	97685615	97757713	97685612	97685613
	315.1	97757691	97685614	97685615	97757713	97685612	97685613
	315.2	97757691	97685614	97685615	97757713	97685612	97685613
250-200-	315	97761203	97685619	97685617	97761204	97685616	97685618
	400	97761203	97685619	97685617	97761204	97685616	97685618
	500	97761203	97685619	97685617	97761204	97685616	97685618
	400	-	-	-	-	-	-
	450	-	-	-	-	-	-
300-250-	350	-	-	-	-	-	-
	400	-	-	-	-	-	-
	450	-	-	-	-	-	-
	500	-	-	-	-	-	

Stuffing box, shaft sleeve and gland

Stuffing box	Shaft sleeve	Gland
 <p>107:Packing rings 108:1 x distribution ring (SNE/SNF)</p>	 <p>109:1 x O-ring 116:1 x shaft sleeve</p>	 <p>106:2 x gland 110a:2 x nut</p>

Pump type	Material code	A, B, C, D, E, F, G, H, S, T							
		Shaft seal arrangement	B						
			Stuffing box for cast iron pump				Shaft sleeve		Gland
			SNEA, SNEC, SNFA, SNFC	SNEB, SNED, SNFB, SNFD	SNOA, SNOC	SNOB, SNOD	E (EPDM)	V (FKM)	
Pump shaft diameter d5									
50-32-	125.1	24	96877095	96877097	96877099	96877101	96861484	98796245	96861467
	160.1	24	96877095	96877097	96877099	96877101	96861484	98796245	96861467
	200.1	24	96877095	96877097	96877099	96877101	96861484	98796245	96861467
	125	24	96877095	96877097	96877099	96877101	96861484	98796245	96861467
	160	24	96877095	96877097	96877099	96877101	96861484	98796245	96861467
	200	24	96877095	96877097	96877099	96877101	96861484	98796245	96861467
65-50-	125	24	96877095	96877097	96877099	96877101	96861484	98796245	96861467
	160	24	96877095	96877097	96877099	96877101	96861484	98796245	96861467
65-40-	200	24	96877095	96877097	96877099	96877101	96861484	98796245	96861467
	250	32	96877123	96877125	96877127	96877129	96861485	98796246	96861469
	315	32	96877123	96877125	96877127	96877129	96861485	98796246	96861469
80-65-	125	24	96877095	96877097	96877099	96877101	96861484	98796245	96861467
	160	24	96877095	96877097	96877099	96877101	96861484	98796245	96861467
80-50-	200	24	96877095	96877097	96877099	96877101	96861484	98796245	96861467
	250	32	96877123	96877125	96877127	96877129	96861485	98796246	96861469
	315	32	96877123	96877125	96877127	96877129	96861485	98796246	96861469
	315	42	98796172	98796173	98796176	98796177	98796233	98796160	98796251
100-80-	125	24	96877095	96877097	96877099	96877101	96861484	98796245	96861467
	160	32	96877123	96877125	96877127	96877129	96861485	98796246	96861469
	200	32	96877123	96877125	96877127	96877129	96861485	98796246	96861469
	250	32	96877123	96877125	96877127	96877129	96861485	98796246	96861469
	315	42	98796172	98796173	98796176	98796177	98796233	98796160	98796251
	400.1	42	98796172	98796173	98796176	98796177	98796233	98796160	98796251
125-80-	160	32	96877123	96877125	96877127	96877129	96861485	98796246	96861469
	200	32	96877123	96877125	96877127	96877129	96861485	98796246	96861469
	250	32	96877123	96877125	96877127	96877129	96861485	98796246	96861469
	315	42	98796172	98796173	98796176	98796177	98796233	98796160	98796251
	400	42	98796172	98796173	98796176	98796177	98796233	98796160	98796251
125-100-	160	32	96877123	96877125	96877127	96877129	96861485	98796246	96861469
	200	32	96877123	96877125	96877127	96877129	96861485	98796246	96861469
	250	42	98796172	98796173	98796176	98796177	98796233	98796160	98796251
	315	42	98796172	98796173	98796176	98796177	98796233	98796160	98796251
	400	42	98796172	98796173	98796176	98796177	98796233	98796160	98796251

Pump type	Material code	A, B, C, D, E, F, G, H, S, T							
	Shaft seal arrangement	B							
	Pump shaft diameter d5	Stuffing box for cast iron pump				Shaft sleeve		Gland	
		SNEA, SNEC, SNFA, SNFC	SNEB, SNED, SNFB, SNFD	SNOA, SNOC	SNOB, SNOD	E (EPDM)	V (FKM)		
150-125-	200	32	96877123	96877125	96877127	96877129	96861485	98796246	96861469
	250	42	98796172	98796173	98796176	98796177	98796233	98796160	98796251
	315	42	98796172	98796173	98796176	98796177	98796233	98796160	98796251
	400	42	98796172	98796173	98796176	98796177	98796233	98796160	98796251
	500	60	98796188	98796189	98796192	98796193	98796239	98796226	98796255
200-150-	200	32	96877123	96877125	96877127	96877129	96861485	98796246	96861469
	250	42	98796172	98796173	98796176	98796177	98796233	98796160	98796251
	315.1	48	98796180	98796181	98796184	98796185	98796236	98796223	98796253
	315.2	48	98796180	98796181	98796184	98796185	98796236	98796223	98796253
	315	48	98796180	98796181	98796184	98796185	98796236	98796223	98796253
	400	48	98796180	98796181	98796184	98796185	98796236	98796223	98796253
	500	60	98796188	98796189	98796192	98796193	98796239	98796226	98796255
250-200-	400	48	98796180	98796181	98796184	98796185	98796236	98796223	98796253
	450	48	98796180	98796181	98796184	98796185	98796236	98796223	98796253
300-250-	350	48	98796180	98796181	98796184	98796185	98796236	98796223	98796253
	400	48	98796180	98796181	98796184	98796185	98796236	98796223	98796253
	450	60	98796188	98796189	98796192	98796193	98796239	98796226	98796255
	500	60	98796188	98796189	98796192	98796193	98796239	98796226	98796255

¹⁹ For 2-pole model only.
7)

Pump type	Material code	I, J, K, M, N, P, U, W							
	Shaft seal arrangement	B							
	Pump shaft diameter d5	Stuffing box for 1.4408 pump				Shaft sleeve		Gland	
		SNEA, SNEC, SNFA, SNFC	SNEB, SNED, SNFB, SNFD	SNOA, SNOC	SNOB, SNOD	E (EPDM)	V (FKM)		
50-32-	125.1	24	98796196	98796197	96877099	96877101	98796242	98796229	98796247
	160.1	24	98796196	98796197	96877099	96877101	98796242	98796229	98796247
	200.1	24	98796196	98796197	96877099	96877101	98796242	98796229	98796247
	125	24	98796196	98796197	96877099	96877101	98796242	98796229	98796247
	160	24	98796196	98796197	96877099	96877101	98796242	98796229	98796247
	200	24	98796196	98796197	96877099	96877101	98796242	98796229	98796247
	250	32	98796200	98796201	96877127	96877129	98796244	98796231	98796249
65-50-	125	24	98796196	98796197	96877099	96877101	98796242	98796229	98796247
	160	24	98796196	98796197	96877099	96877101	98796242	98796229	98796247
65-40-	200	24	98796196	98796197	96877099	96877101	98796242	98796229	98796247
	250	32	98796200	98796201	96877127	96877129	98796244	98796231	98796249
	315	32	98796200	98796201	96877127	96877129	98796244	98796231	98796249
80-65-	125	24	98796196	98796197	96877099	96877101	98796242	98796229	98796247
	160	24	98796196	98796197	96877099	96877101	98796242	98796229	98796247
80-50-	200	24	98796196	98796197	96877099	96877101	98796242	98796229	98796247
	250	32	98796200	98796201	96877127	96877129	98796244	98796231	98796249
	315	32	98796200	98796201	96877127	96877129	98796244	98796231	98796249
100-80-	125	24	98796196	98796197	96877099	96877101	98796242	98796229	98796247
	160	32	98796200	98796201	96877127	96877129	98796244	98796231	98796249
100-65-	200	32	98796200	98796201	96877127	96877129	98796244	98796231	98796249
	250	32	98796200	98796201	96877127	96877129	98796244	98796231	98796249
	315	42	98796204	98796205	98796176	98796177	98796234	98796221	98796251

Pump type	Material code	I, J, K, M, N, P, U, W							
	Shaft seal arrangement	B							
	Pump shaft diameter d5	Stuffing box for 1.4408 pump				Shaft sleeve		Gland	
		SNEA, SNEC, SNFA, SNFC	SNEB, SNED, SNFB, SNFD	SNOA, SNOC	SNOB, SNOD	E (EPDM)	V (FKM)		
125-80-	160	32	98796200	98796201	96877127	96877129	98796244	98796231	98796249
	200	32	98796200	98796201	96877127	96877129	98796244	98796231	98796249
	250	32	98796200	98796201	96877127	96877129	98796244	98796231	98796249
	315	42	98796204	98796205	98796176	98796177	98796234	98796221	98796251
	400.1	42	98796204	98796205	98796176	98796177	98796234	98796221	98796251
	400	42	98796204	98796205	98796176	98796177	98796234	98796221	98796251
	400 ^{19B)}	48	98796208	98796209	98796184	98796185	98796237	98796224	98796253
125-100-	160	32	98796200	98796201	96877127	96877129	98796244	98796231	98796249
	200	32	98796200	98796201	96877127	96877129	98796244	98796231	98796249
	250	42	98796204	98796205	98796176	98796177	98796234	98796221	98796251
	315	42	98796204	98796205	98796176	98796177	98796234	98796221	98796251
	400	42	98796204	98796205	98796176	98796177	98796234	98796221	98796251
150-125-	200	32	98796200	98796201	96877127	96877129	98796244	98796231	98796249
	250	42	98796204	98796205	98796176	98796177	98796234	98796221	98796251
	315	42	98796204	98796205	98796176	98796177	98796234	98796221	98796251
	400	42	98796204	98796205	98796176	98796177	98796234	98796221	98796251
	500	60	98796212	98796213	98796192	98796193	98796240	98796227	98796255
200-150-	200	32	98796200	98796201	96877127	96877129	98796244	98796231	98796249
	250	42	98796204	98796205	98796176	98796177	98796234	98796221	98796251
	315.1	48	98796208	98796209	98796184	98796185	98796237	98796224	98796253
	315.2	48	98796208	98796209	98796184	98796185	98796237	98796224	98796253
	315	48	98796208	98796209	98796184	98796185	98796237	98796224	98796253
	400	48	98796208	98796209	98796184	98796185	98796237	98796224	98796253
	500	60	98796212	98796213	98796192	98796193	98796240	98796227	98796255
250-200-	400	48	98796208	98796209	98796184	98796185	98796237	98796224	98796253
	450	48	98796208	98796209	98796184	98796185	98796237	98796224	98796253
300-250-	350	48	98796208	98796209	98796184	98796185	98796237	98796224	98796253
	400	48	98796208	98796209	98796184	98796185	98796237	98796224	98796253
	450	60	98796212	98796213	98796192	98796193	98796240	98796227	98796255
	500	60	98796212	98796213	98796192	98796193	98796240	98796227	98796255

¹⁹ For 2-pole model only.
 B)

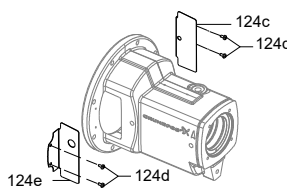
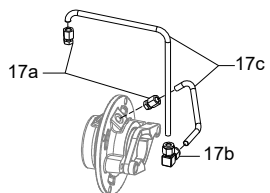
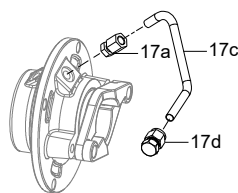
Pump type	Material code	L, R							
	Shaft seal arrangement	B							
	Pump shaft diameter d5	Stuffing box for 1.4517 pump				Shaft sleeve		Gland	
		SNEA, SNEC, SNFA, SNFC	SNEB, SNED, SNFB, SNFD	SNOA, SNOC	SNOB, SNOD	E (EPDM)	V (FKM)		
50-32-	125.1	24	98796196	98796197	96877099	96877101	98796243	98796230	98796248
	160.1	24	98796196	98796197	96877099	96877101	98796243	98796230	98796248
	200.1	24	98796196	98796197	96877099	96877101	98796243	98796230	98796248
	125	24	98796196	98796197	96877099	96877101	98796243	98796230	98796248
	160	24	98796196	98796197	96877099	96877101	98796243	98796230	98796248
	200	24	98796196	98796197	96877099	96877101	98796243	98796230	98796248
	250	32	98796200	98796201	96877127	96877129	98796232	98796159	98796250
65-50-	125	24	98796196	98796197	96877099	96877101	98796243	98796230	98796248
	160	24	98796196	98796197	96877099	96877101	98796243	98796230	98796248
65-40-	200	24	98796196	98796197	96877099	96877101	98796243	98796230	98796248
	250	32	98796200	98796201	96877127	96877129	98796232	98796159	98796250
	315	32	98796200	98796201	96877127	96877129	98796232	98796159	98796250

Pump type	Material code	Shaft seal arrangement	L, R							
			B							
			Pump shaft diameter d5	Stuffing box for 1.4517 pump				Shaft sleeve		Gland
				SNEA, SNEC, SNFA, SNFC	SNEB, SNED, SNFB, SNFD	SNOA, SNOC	SNOB, SNOD	E (EPDM)	V (FKM)	
80-65-	125	24	98796196	98796197	96877099	96877101	98796243	98796230	98796248	
	160	24	98796196	98796197	96877099	96877101	98796243	98796230	98796248	
80-50-	200	24	98796196	98796197	96877099	96877101	98796243	98796230	98796248	
	250	32	98796200	98796201	96877127	96877129	98796232	98796159	98796250	
	315	32	98796200	98796201	96877127	96877129	98796232	98796159	98796250	
100-80-	125	24	98796196	98796197	96877099	96877101	98796243	98796230	98796248	
	160	32	98796200	98796201	96877127	96877129	98796232	98796159	98796250	
100-65-	200	32	98796200	98796201	96877127	96877129	98796232	98796159	98796250	
	250	32	98796200	98796201	96877127	96877129	98796232	98796159	98796250	
	315	42	98796204	98796205	98796176	98796177	98796235	98796222	98796252	
125-80-	160	32	98796200	98796201	96877127	96877129	98796232	98796159	98796250	
	200	32	98796200	98796201	96877127	96877129	98796232	98796159	98796250	
	250	32	98796200	98796201	96877127	96877129	98796232	98796159	98796250	
	315	42	98796204	98796205	98796176	98796177	98796235	98796222	98796252	
	400.1	42	98796204	98796205	98796176	98796177	98796235	98796222	98796252	
	400	42	98796204	98796205	98796176	98796177	98796235	98796222	98796252	
	400 ¹⁹⁹⁾	48	98796208	98796209	98796184	98796185	98796238	98796225	98796254	
125-100-	160	32	98796200	98796201	96877127	96877129	98796232	98796159	98796250	
	200	32	98796200	98796201	96877127	96877129	98796232	98796159	98796250	
	250	42	98796204	98796205	98796176	98796177	98796235	98796222	98796252	
	315	42	98796204	98796205	98796176	98796177	98796235	98796222	98796252	
	400	42	98796204	98796205	98796176	98796177	98796235	98796222	98796252	
150-125-	200	32	98796200	98796201	96877127	96877129	98796232	98796159	98796250	
	250	42	98796204	98796205	98796176	98796177	98796235	98796222	98796252	
	315	42	98796204	98796205	98796176	98796177	98796235	98796222	98796252	
	400	42	98796204	98796205	98796176	98796177	98796235	98796222	98796252	
200-150-	500	60	98796212	98796213	98796192	98796193	98796241	98796228	98796256	
	200	32	98796200	98796201	96877127	96877129	98796232	98796159	98796250	
	250	42	98796204	98796205	98796176	98796177	98796235	98796222	98796252	
	315.1	48	98796208	98796209	98796184	98796185	98796238	98796225	98796254	
	315.2	48	98796208	98796209	98796184	98796185	98796238	98796225	98796254	
250-200-	315	48	98796208	98796209	98796184	98796185	98796238	98796225	98796254	
	400	48	98796208	98796209	98796184	98796185	98796238	98796225	98796254	
	500	60	98796212	98796213	98796192	98796193	98796241	98796228	98796256	
	400	48	98796208	98796209	98796184	98796185	98796238	98796225	98796254	
	450	48	98796208	98796209	98796184	98796185	98796238	98796225	98796254	
	350	48	98796208	98796209	98796184	98796185	98796238	98796225	98796254	
300-250-	400	48	98796208	98796209	98796184	98796185	98796238	98796225	98796254	
	450	60	98796212	98796213	98796192	98796193	98796241	98796228	98796256	
	500	60	98796212	98796213	98796192	98796193	98796241	98796228	98796256	

¹⁹ For 2-pole model only.

9)

Stuffing box, shaft guard and pipe

Shaft guard	Pipe SNE	Pipe SNF
 <p>Kit, shaft guard</p> <p>124c: 1 x shaft guard, left 124d: 4 x pan head screw 124e: 1 x shaft guard, right</p>	 <p>Kit, pipe SNE</p> <p>17a: 2 x male connector, R1/8" - 8 mm 17b: 1 x union elbow, 8 mm - 8 mm 17c: 2 x pipe</p>	 <p>Kit, pipe SNF</p> <p>17a: 1 x male connector, R1/8" - 8 mm 17c: 1 x pipe 17d: 1 x compression fitting, cap, 8 mm</p>

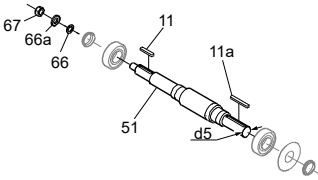
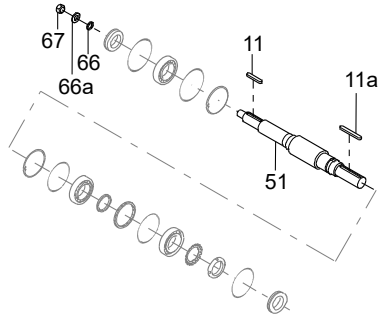
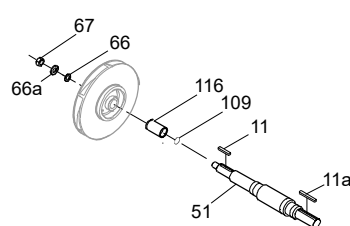
Pump type	Pump shaft diameter d5	Kit, shaft guard							Kit, pipe			
		Single shaft seal	Double shaft seal	Stuffing box shaft seal						Cast iron, stainless steel (1.4408) pump housing	SNE	SNF
				Cast iron pump housing			Stainless steel (1.4408, 1.4517) pump housing					
				SNO	SNE	SNF	SNO	SNE	SNF			
125.1	24	96809956	97904702	96809956	96809956	99089315	96809956	99089315	99089315			
125	24	96809956	97904702	96809956	96809956	99089315	96809956	99089315	99089315			
160.1	24	96809956	97904702	96809956	96809956	99089315	96809956	99089315	99089315			
50-32-	160	24	96809956	97904702	96809956	96809956	99089315	96809956	99089315	99089315		
200.1	24	96809956	97904702	96809956	96809956	99089315	96809956	99089315	99089315			
200	24	96809956	97904702	96809956	96809956	99089315	96809956	99089315	99089315			
250	32	96809959	97929236	96809959	96809959	99089317	96809959	99089317	99089317			
65-50-	125	24	96809956	97904702	96809956	96809956	99089315	96809956	99089315	99089315		
160	24	96809956	97904702	96809956	96809956	99089315	96809956	99089315	99089315			
200	24	96809956	97904702	96809956	96809956	99089315	96809956	99089315	99089315			
65-40-	250	32	96809959	97929236	96809959	96809959	99089317	96809959	99089317	99089317		
315	32	96809960	97929237	96809960	96809960	99089316	96809960	99089316	99089316			
80-65-	125	24	96809956	97904702	96809956	96809956	99089315	96809956	99089315	99089315		
160	24	96809956	97904702	96809956	96809956	99089315	96809956	99089315	99089315			
200	24	96809956	97904702	96809956	96809956	99089315	96809956	99089315	99089315			
80-50-	250	32	96809959	97929236	96809959	96809959	99089317	96809959	99089317	99089317		
315	32	96809960	97929237	96809960	96809960	99089316	96809960	99089316	99089316			
100-80-	125	24	96809956	97904702	96809956	96809956	99089315	96809956	99089315	99089315	99001051	99001056
160	32	96809959	97929236	96809959	96809959	99089317	96809959	99089317	99089317			
200	32	96809959	97929236	96809959	96809959	99089317	96809959	99089317	99089317			
100-65-	250	32	96809960	97929237	96809960	96809960	99089316	96809960	99089316	99089316		
315	42	96809961	96887370	96809961	96809961	99089323	96809961	99089323	99089323			
160	32	96809959	97929236	96809959	96809959	99089317	96809959	99089317	99089317			
200	32	96809960	97929237	96809960	96809960	99089316	96809960	99089316	99089316			
250	32	96809960	97929237	96809960	96809960	99089316	96809960	99089316	99089316			
125-80-	315	42	96809961	96887370	96809961	96809961	99089323	96809961	99089323	99089323		
400.1	42	96809961	96887370	96809961	96809961	99089323	96809961	99089323	99089323			
400	42	96809961	96887370	96809961	96809961	99089323	96809961	99089323	99089323			
400 ²⁰⁾	48	96809962	97536603	96809962	99089326	99089326	96809962	99089326	99089326			
160	32	96809959	97929236	96809959	96809959	99089317	96809959	99089317	99089317			
200	32	96809960	97929237	96809960	96809960	99089316	96809960	99089316	99089316			
125-100-	250	42	96809961	96887370	96809961	96809961	99089323	96809961	99089323	99089323		
315	42	96809961	96887370	96809961	96809961	99089323	96809961	99089323	99089323			
400	42	96809961	96887370	96809961	96809961	99089323	96809961	99089323	99089323			

Pump type	Pump shaft diameter d5	Kit, shaft guard								Kit, pipe		
		Single shaft seal	Double shaft seal	Stuffing box shaft seal						Cast iron, stainless steel (1.4408) pump housing		
				Cast iron pump housing			Stainless steel (1.4408, 1.4517) pump housing					
				SNO	SNE	SNF	SNO	SNE	SNF	SNE	SNF	
150-125-	200	32	96809960	97929237	96809960	96809960	99089316	96809960	99089316	99089316		
	250	42	96809961	96887370	96809961	96809961	99089323	96809961	99089323	99089323		
	315	42	96809961	96887370	96809961	96809961	99089323	96809961	99089323	99089323		
	400	42	96809961	96887370	96809961	96809961	99089323	96809961	99089323	99089323		
	500	60	96809962	97536603	96809962	99089326	99089326	96809962	99089326	99089326		
200-150-	200	32	96809960	97929237	96809960	96809960	99089316	96809960	99089316	99089316		
	250	42	96809961	96887370	96809961	96809961	99089323	96809961	99089323	99089323		
	315.1	48	96809962	97536603	96809962	99089326	99089326	96809962	99089326	99089326		
	315.2	48	96809962	97536603	96809962	99089326	99089326	96809962	99089326	99089326		
	315	48	96809962	97536603	96809962	99089326	99089326	96809962	99089326	99089326		
	400	48	96809962	97536603	96809962	99089326	99089326	96809962	99089326	99089326		
	500	60	96809962	97536603	96809962	99089326	99089326	96809962	99089326	99089326		
250-200-	400	48	96809962	97536603	96809962	99089325	99089325	96809962	99089326	99089326		
	450	48	96809962	97536603	96809962	99089325	99089325	96809962	99089326	99089326		
300-250-	350	48	96809962	97536603	96809962	99089325	99089325	96809962	99089326	99089326		
	400	48	96809962	97536603	96809962	99089325	99089325	96809962	99089326	99089326		
	450	60	96809962	97536603	96809962	99089325	99089325	96809962	99089325	99089325		
	500	60	96809962	97536603	96809962	99089325	99089325	96809962	99089325	99089325		

²⁰ Oversize pump.

⁰⁾

Shaft

Shaft, standard	Shaft, heavy-duty	Shaft, stuffing box
Pump version A1, A2, I1, I2, Y	Pump version G1, G2, H1, H2, J1, J2, K1, K2, W, Z	
		
11:1 x key 11a:1 x key 51:1 x shaft 66:1 x washer 66a:1 x lock washer 67:1 x nut	11:1 x key 11a:1 x key 51:1 x shaft 66:1 x washer 66a:1 x lock washer 67:1 x nut	11:1 x key 11a:1 x key 51:1 x shaft 66:1 x washer 66a:1 x lock washer 67:1 x nut 109:1 x O-ring 116:1 x shaft sleeve

The material codes for the shaft can be found in the type designation on the nameplate.

NKG 125-100/-160/160-142 (J1) F 3 (P) M E (P) 2926
 (1) (3) (2)

- (1) Pump version J1: pump without motor, with grease-lubricated heavy-duty standard bearing, standard coupling.
- (2) Shaft seal arrangement P: tandem, double seal.
- (3) Material code P: carbon-graphite filled PTFE (Graflon®).

			Shaft for mechanical shaft seal						
(1) Pump version			A1, A2, I1, I2, Y				G1,G2,H1,H2,J1,J2,K1,K2,W,Z		
(2) Shaft seal arrangement			S		O, P, C, D		S, O, P, C, D		
Pump type	Pump shaft diameter d5	(3) Material code	A, B, C, D, E, F, G, H, K, M, N, P, S	I, J, L, R, T, U, W	A, B, C, D, E, F, G, H, K, M, N, P, S	I, J, L, R, T, U, W	A, B, E, F	C, D, G, H, K, M, N, P, S	I, J, L, R, T, U, W
50-32-	125.1	24	96861517	96861518	96861517	96861518	98819588	97904696	97904697
	160.1	24	96861517	96861518	97904698	97904699	98819588	97904696	97904697
	200.1	24	96861517	96861518	97904698	97904699	98819588	97904696	97904697
50-32-	125	24	96861517	96861518	97904698	97904699	98819588	97904696	97904697
	160	24	96861517	96861518	97904698	97904699	98819588	97904696	97904697
	200	24	96861517	96861518	97904698	97904699	98819588	97904696	97904697
	250	32	99437338	99437339	99437338	99437339	98819680	97926898	97929231
65-50-	125	24	96861517	96861518	97904698	97904699	98819588	97904696	97904697
	160	24	96861517	96861518	97904698	97904699	98819588	97904696	97904697
	200	24	96861517	96861518	97904698	97904699	98819588	97904696	97904697
65-40-	250	32	96861520	96861521	97929232	97929233	98819680	97926898	97929231
	315	32	96861520	96861521	97929232	97929233	98819680	97926898	97929231
80-65-	125	24	96861517	96861518	97904698	97904699	98819588	97904696	97904697
	160	24	96861517	96861518	97904698	97904699	98819588	97904696	97904697
80-50-	200	24	96861517	96861518	97904698	97904699	98819588	97904696	97904697
	250	32	96861520	96861521	97929232	97929233	98819680	97926898	97929231
	315	32	96861520	96861521	97929232	97929233	98819680	97926898	97929231

			Shaft for mechanical shaft seal								
(1) Pump version			A1, A2, I1, I2, Y						G1,G2,H1,H2,J1,J2,K1,K2,W,Z		
(2) Shaft seal arrangement			S			O, P, C, D			S, O, P, C, D		
Pump type	Pump shaft diameter d5	(3) Material code	A, B, C, D, E, F, G, H, K, M, N, P, S	I, J, L, R, T, U, W	A, B, C, D, E, F, G, H, K, M, N, P, S	I, J, L, R, T, U, W	A, B, E, F	C, D, G, H, K, M, N, P, S	I, J, L, R, T, U, W		
100-80-	125	24	96861517	96861518	97904698	97904699	98819588	97904696	97904697		
	160	32	96861520	96861521	97929232	97929233	98819680	97926898	97929231		
100-65-	200	32	96861520	96861521	97929232	97929233	98819680	97926898	97929231		
	250	32	96861520	96861521	97929232	97929233	98819680	97926898	97929231		
	315	42	96861524	96861525	96861524	96861525	98819877	96887358	96887359		
125-80-	160	32	96861520	96861521	97929232	97929233	98819680	97926898	97929231		
	200	32	96861520	96861521	97929232	97929233	98819680	97926898	97929231		
	250	32	96861520	96861521	97929232	97929233	98819680	97926898	97929231		
	315	42	96861524	96861525	97739721	97739722	98819877	96887358	96887359		
	400.1	42	96861524	96861525	97739721	97739722	98819877	96887358	96887359		
	400	42	96861524	96861525	97739721	97739722	98819877	96887358	96887359		
	400 ²⁰⁾	48	96861526	96861527	97761156	97761157	98819883	97761116	97761152		
125-100-	160	32	96861520	96861521	97929232	97929233	98819680	97926898	97929231		
	200	32	96861520	96861521	97929232	97929233	98819680	97926898	97929231		
	250	42	96861524	96861525	97739721	97739722	98819877	96887358	96887359		
	315	42	96861524	96861525	97739721	97739722	98819877	96887358	96887359		
	400	42	96861524	96861525	97739721	97739722	98819877	96887358	96887359		
150-125-	200	32	96861520	96861521	97929232	97929233	98819680	97926898	97929231		
	250	42	96861524	96861525	97739721	97739722	98819877	96887358	96887359		
	315	42	96861524	96861525	97739721	97739722	98819877	96887358	96887359		
	400	42	96861524	96861525	97739721	97739722	98819877	96887358	96887359		
	500	60	96861528	96861529	97761158	97761159	98819888	97761154	97761155		
200-150-	200	32	96861520	96861521	97929232	97929233	98819680	97926898	97929231		
	250	42	96861524	96861525	97739721	97739722	98819877	96887358	96887359		
	315.1	48	96861526	96861527	96861526	96861527	98819883	97761116	97761152		
	315.2	48	96861526	96861527	97761156	97761157	98819883	97761116	97761152		
	315	48	96861526	96861527	97761156	97761157	98819883	97761116	97761152		
	400	48	96861526	96861527	97761156	97761157	98819883	97761116	97761152		
	500	60	96861528	96861529	96861528	96861529	98819888	97761154	97761155		
250-200-	400	48	96861526	96861527	-	-	98819883	97761116	97761152		
	450	48	96861526	96861527	-	-	98819883	97761116	97761152		
	350	48	96861526	96861527	-	-	98819883	97761116	97761152		
300-250-	400	48	96861526	96861527	-	-	98819883	97761116	97761152		
	450	60	96861528	96861529	-	-	98819888	97761154	97761155		
	500	60	96861528	96861529	-	-	98819888	97761154	97761155		

²⁰ For 2-pole model only.

1)

			Shaft for stuffing box						
(1) Pump version			A1, A2, I1, I2, Y1						
(2) Shaft seal arrangement			B						
Pump type	Pump shaft diameter d5	(3) Material code	A, B, E, F		C, D, G, H, K, M, N, P, S		I, J, L, R, T, U, W		
		Rubber code	V	E	V	E	V	E	
50-32-	125.1	24		98812953	96958259	98812954	98812962	98795674	98795698
	160.1	24		98812953	96958259	98812954	98812962	98795674	98795698
	200.1	24		98812953	96958259	98812954	98812962	98795674	98795698
	125	24		98812953	96958259	98812954	98812962	98795674	98795698
	160	24		98812953	96958259	98812954	98812962	98795674	98795698
	200	24		98812953	96958259	98812954	98812962	98795674	98795698
	250	32		99437347	99437341	99437348	99437349	99437344	99437345
65-50-	125	24		98812953	96958259	98812954	98812962	98795674	98795698
	160	24		98812953	96958259	98812954	98812962	98795674	98795698
65-40-	200	24		98812953	96958259	98812954	98812962	98795674	98795698
	250	32		98812957	96958261	98812958	98812960	98795675	98795699
	315	32		98812957	96958261	98812958	98812960	98795675	98795699
80-65-	125	24		98812953	96958259	98812954	98812962	98795674	98795698
	160	24		98812953	96958259	98812954	98812962	98795674	98795698
80-50-	200	24		98812953	96958259	98812954	98812962	98795674	98795698
	250	32		98812957	96958261	98812958	98812960	98795675	98795699
	315	32		98812957	96958261	98812958	98812960	98795675	98795699
100-80-	125	24		98812953	96958259	98812954	98812962	98795674	98795698
	160	32		98812957	96958261	98812958	98812960	98795675	98795699
100-65-	200	32		98812957	96958261	98812958	98812960	98795675	98795699
	250	32		98812957	96958261	98812958	98812960	98795675	98795699
	315	42		98795679	98795703	98795680	98795704	98795681	98795705
	160	32		98812957	96958261	98812958	98812960	98795675	98795699
	200	32		98812957	96958261	98812958	98812960	98795675	98795699
125-80-	250	32		98812957	96958261	98812958	98812960	98795675	98795699
	315	42		98795679	98795703	98795680	98795704	98795681	98795705
	400.1	42		98795679	98795703	98795680	98795704	98795681	98795705
	400	42		98795679	98795703	98795680	98795704	98795681	98795705
	400 ²⁰²⁾	48		98795682	98795706	98795683	98795707	98795684	98795708
	160	32		98812957	96958261	98812958	98812960	98795675	98795699
	200	32		98812957	96958261	98812958	98812960	98795675	98795699
125-100-	250	42		98795679	98795703	98795680	98795704	98795681	98795705
	315	42		98795679	98795703	98795680	98795704	98795681	98795705
	400	42		98795679	98795703	98795680	98795704	98795681	98795705
	200	32		98812957	96958261	98812958	98812960	98795675	98795699
	250	42		98795679	98795703	98795680	98795704	98795681	98795705
150-125-	315	42		98795679	98795703	98795680	98795704	98795681	98795705
	400	42		98795679	98795703	98795680	98795704	98795681	98795705
	500	60		98795685	98795709	98795686	98795710	98795687	98795711
	200	32		98812957	96958261	98812958	98812960	98795675	98795699
200-150-	250	42		98795679	98795703	98795680	98795704	98795681	98795705
	315.1	48		98795682	98795706	98795683	98795707	98795684	98795708
	315.2	48		98795682	98795706	98795683	98795707	98795684	98795708
	315	48		98795682	98795706	98795683	98795707	98795684	98795708
	400	48		98795682	98795706	98795683	98795707	98795684	98795708
	500	60		98795685	98795709	98795686	98795710	98795687	98795711
250-200-	400	48		98795682	98795706	98795683	98795707	98795684	98795708
	450	48		98795682	98795706	98795683	98795707	98795684	98795708

			Shaft for stuffing box						
(1) Pump version			A1, A2, I1, I2, Y1						
(2) Shaft seal arrangement			B						
Pump type	Pump shaft diameter d5	(3) Material code	A, B, E, F		C, D, G, H, K, M, N, P, S		I, J, L, R, T, U, W		
		Rubber code	V	E	V	E	V	E	
300-250-	350	48		98795682	98795706	98795683	98795707	98795684	98795708
	400	48		98795682	98795706	98795683	98795707	98795684	98795708
	450	60		98795685	98795709	98795686	98795710	98795687	98795711
	500	60		98795685	98795709	98795686	98795710	98795687	98795711

²⁰ For 2-pole model only.

²⁾

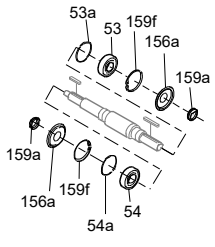
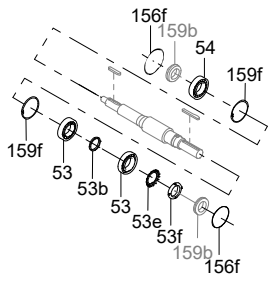
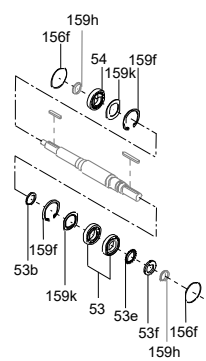
			Shaft for stuffing box						
(1) Pump version			G1, G2, H1, H2, J1, J2, K1, K2, W1, Z1						
(2) Shaft seal arrangement			B						
Pump type	Pump shaft diameter d5	(3) Material code	A, B, E, F		C, D, G, H, K, M, N, P, S		I, J, L, R, T, U, W		
		Rubber code	V	E	V	E	V	E	
50-32-	125.1	24		98922056	98922030	98795688	98795712	98795689	98795713
	160.1	24		98922056	98922030	98795688	98795712	98795689	98795713
	200.1	24		98922056	98922030	98795688	98795712	98795689	98795713
	125	24		98922056	98922030	98795688	98795712	98795689	98795713
	160	24		98922056	98922030	98795688	98795712	98795689	98795713
	200	24		98922056	98922030	98795688	98795712	98795689	98795713
65-50-	250	32		98922057	98922051	98795690	98795714	98795691	98795715
	125	24		98922056	98922030	98795688	98795712	98795689	98795713
65-40-	160	24		98922056	98922030	98795688	98795712	98795689	98795713
	200	24		98922056	98922030	98795688	98795712	98795689	98795713
80-65-	250	32		98922057	98922051	98795690	98795714	98795691	98795715
	315	32		98922057	98922051	98795690	98795714	98795691	98795715
	125	24		98922056	98922030	98795688	98795712	98795689	98795713
80-50-	160	24		98922056	98922030	98795688	98795712	98795689	98795713
	200	24		98922056	98922030	98795688	98795712	98795689	98795713
	250	32		98922057	98922051	98795690	98795714	98795691	98795715
100-80-	315	32		98922057	98922051	98795690	98795714	98795691	98795715
	125	24		98922056	98922030	98795688	98795712	98795689	98795713
	160	32		98922057	98922051	98795690	98795714	98795691	98795715
100-65-	200	32		98922057	98922051	98795690	98795714	98795691	98795715
	250	32		98922057	98922051	98795690	98795714	98795691	98795715
	315	42		98922058	98922052	98795692	98795716	98795693	98795717
125-80-	160	32		98922057	98922051	98795690	98795714	98795691	98795715
	200	32		98922057	98922051	98795690	98795714	98795691	98795715
	250	32		98922057	98922051	98795690	98795714	98795691	98795715
	315	42		98922058	98922052	98795692	98795716	98795693	98795717
	400.1	42		98922058	98922052	98795692	98795716	98795693	98795717
	400	42		98922058	98922052	98795692	98795716	98795693	98795717
	400 ²⁰³⁾	48		98922059	98922054	98795694	98795718	98795695	98795719
	160	32		98922057	98922051	98795690	98795714	98795691	98795715
	200	32		98922057	98922051	98795690	98795714	98795691	98795715
125-100-	250	42		98922058	98922052	98795692	98795716	98795693	98795717
	315	42		98922058	98922052	98795692	98795716	98795693	98795717
	400	42		98922058	98922052	98795692	98795716	98795693	98795717

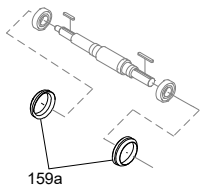
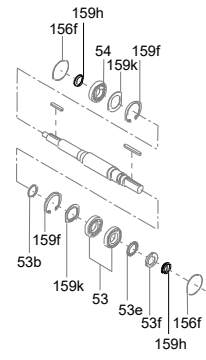


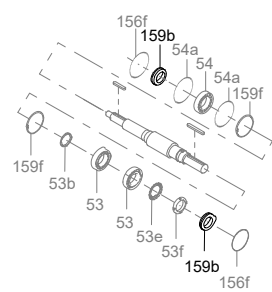
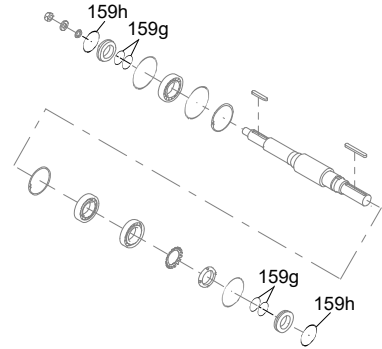
			Shaft for stuffing box					
(1) Pump version			G1, G2, H1, H2, J1, J2, K1, K2, W1, Z1					
(2) Shaft seal arrangement			B					
Pump type	Pump shaft diameter d5	(3)	A, B, E, F		C, D, G, H, K, M, N, P, S		I, J, L, R, T, U, W	
		Material code	V	E	V	E	V	E
		Rubber code						
150-125-	200	32	98922057	98922051	98795690	98795714	98795691	98795715
	250	42	98922058	98922052	98795692	98795716	98795693	98795717
	315	42	98922058	98922052	98795692	98795716	98795693	98795717
	400	42	98922058	98922052	98795692	98795716	98795693	98795717
	500	60	98922060	98922055	98795696	98795720	98795697	98795721
200-150-	200	32	98922057	98922051	98795690	98795714	98795691	98795715
	250	42	98922058	98922052	98795692	98795716	98795693	98795717
	315.1	48	98922059	98922054	98795694	98795718	98795695	98795719
	315.2	48	98922059	98922054	98795694	98795718	98795695	98795719
	315	48	98922059	98922054	98795694	98795718	98795695	98795719
	400	48	98922059	98922054	98795694	98795718	98795695	98795719
250-200-	500	60	98922060	98922055	98795696	98795720	98795697	98795721
	400	48	98922059	98922054	98795694	98795718	98795695	98795719
	450	48	98922059	98922054	98795694	98795718	98795695	98795719
300-250-	350	48	98922059	98922054	98795694	98795718	98795695	98795719
	400	48	98922059	98922054	98795694	98795718	98795695	98795719
	450	60	98922060	98922055	98795696	98795720	98795697	98795721
	500	60	98922060	98922055	98795696	98795720	98795697	98795721

²⁰ For 2-pole model only.
³⁾

Bearings, spacer ring, V-ring and oil seal

Bearing		
Pump version A1, A2, I1, I2, Y	Pump version H1, H2, K1, K2, Z	Pump version G1, G2, J1, J2, W
 <p>53/54:2 x bearing 53a/54a:2 x O-ring 156a:2 x bearing cover 159a:2 x V-ring 159f:2 x retaining ring</p>	 <p>53:2 x bearing 54:1 x bearing 53b:1 x inner spacer rings 53c:1 x outer spacer rings 156f:2 x O-ring for cover 159f:2 x retaining ring 53e:1 x lock washer 53f:1 x lock nut</p>	 <p>53:2 x bearing 54:1 x bearing 53b:1 x inner spacer rings 156f:2 x O-ring for cover 159f:2 x retaining ring 159k:2 x seal spacer 53e:1 x lock washer 53f:1 x lock nut</p>

V-ring	
Pump version A1, A2, I1, I2, Y	Pump version G1, G2, J1, J2, W
 <p>159a:2 x V-ring</p>	 <p>159h: 2 x V-ring</p>

Oil seal	O-ring
 <p>159b:1 x oil seal</p>	 <p>159g:2 x O-ring 159h:1 x O-ring</p>

The material code can be found in the type designation on the nameplate.

NKG 125-100-160 /160-142 H2 (F3) NKE O 2926

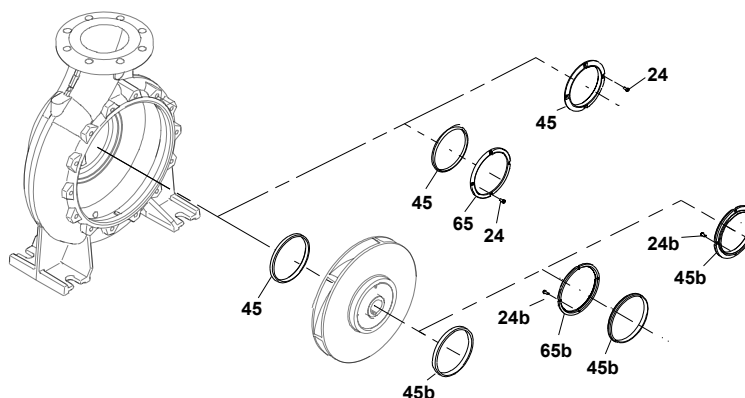
Pump type	Pump shaft diameter d5	Bearings				V-ring			Oil seal	O-ring	
		Standard	PWIS-free	Heavy-duty		Standard	PWIS-free	Heavy-duty			
		Pump version				Pump version					
		A1, A2, I1, I2, Y		H1, H2, K1, K2, Z	G1, G2, J1, J2, W	A1, A2, I1, I2, Y		G1, G2, J1, J2, W			
50-32-	125.1	24	96579599	98670821	97904646	98819587	96591314	98670822	98670823	97904700	97853765
	160.1	24	96579599	98670821	97904646	98819587	96591314	98670822	98670823	97904700	97853765
	200.1	24	96579599	98670821	97904646	98819587	96591314	98670822	98670823	97904700	97853765
	125	24	96579599	98670821	97904646	98819587	96591314	98670822	98670823	97904700	97853765
	160	24	96579599	98670821	97904646	98819587	96591314	98670822	98670823	97904700	97853765
	200	24	96579599	98670821	97904646	98819587	96591314	98670822	98670823	97904700	97853765
	250	32	96579599	98670821	97929249	98819679	96591314	98670822	98670822	97929234	97929235
65-50-	125	24	96579599	98670821	97904646	98819587	96591314	98670822	98670823	97904700	97853765
	160	24	96579599	98670821	97904646	98819587	96591314	98670822	98670823	97904700	97853765
65-40-	200	24	96579599	98670821	97904646	98819587	96591314	98670822	98670823	97904700	97853765
	250	32	95919873	98670814	97929249	98819679	96871238	98670824	98670822	97929234	97929235
	315	32	95919873	98670814	97929249	98819679	96871238	98670824	98670822	97929234	97929235
80-65-	125	24	96579599	98670821	97904646	98819587	96591314	98670822	98670823	97904700	97853765
	160	24	96579599	98670821	97904646	98819587	96591314	98670822	98670823	97904700	97853765
80-50-	200	24	96579599	98670821	97904646	98819587	96591314	98670822	98670823	97904700	97853765
	250	32	95919873	98670814	97929249	98819679	96871238	98670824	98670822	97929234	97929235
	315	32	95919873	98670814	97929249	98819679	96871238	98670824	98670822	97929234	97929235
100-80-	125	24	96579599	98670821	97904646	98819587	96591314	98670822	98670823	97904700	97853765
	160	32	95919873	98670814	97929249	98819679	96871238	98670824	98670822	97929234	97929235
100-65-	200	32	95919873	98670814	97929249	98819679	96871238	98670824	98670822	97929234	97929235
	250	32	95919873	98670814	97929249	98819679	96871238	98670824	98670822	97929234	97929235
	315	42	95919875	98670816	96887353	98819876	96871240	98670826	98670825	96887776	97527677
125-80-	160	32	95919873	98670814	97929249	98819679	96871238	98670824	98670822	97929234	97929235
	200	32	95919873	98670814	97929249	98819679	96871238	98670824	98670822	97929234	97929235
	250	32	95919873	98670814	97929249	98819679	96871238	98670824	98670822	97929234	97929235
	315	42	95919875	98670816	96887353	98819876	96871240	98670826	98670825	96887776	97527677
	400.1	42	95919875	98670816	96887353	98819876	96871240	98670826	98670825	96887776	97527677
	400	42	95919875	98670816	96887353	98819876	96871240	98670826	98670825	96887776	97527677
	400 ²⁰ ₄₎	48	95919876	98670817	97761201	98819882	96871241	98670827	98670827	97761180	97763478
125-100-	160	32	95919873	98670814	97929249	98819679	96871238	98670824	98670822	97929234	97929235
	200	32	95919873	98670814	97929249	98819679	96871238	98670824	98670822	97929234	97929235
	250	42	95919875	98670816	96887353	98819876	96871240	98670826	98670825	96887776	97527677
	315	42	95919875	98670816	96887353	98819876	96871240	98670826	98670825	96887776	97527677
	400	42	95919875	98670816	96887353	98819876	96871240	98670826	98670825	96887776	97527677
150-125-	200	32	95919873	98670814	97929249	98819679	96871238	98670824	98670822	97929234	97929235
	250	42	95919875	98670816	96887353	98819876	96871240	98670826	98670825	96887776	97527677
	315	42	95919875	98670816	96887353	98819876	96871240	98670826	98670825	96887776	97527677
	400	42	95919875	98670816	96887353	98819876	96871240	98670826	98670825	96887776	97527677
	500	60	95919878	98670819	97761201	98819882	96871242	98670828	98670827	97761180	97763478
200-150-	200	32	95919873	98670814	97929249	98819679	96871238	98670824	98670822	97929234	97929235
	250	42	95919875	98670816	96887353	98819876	96871240	98670826	98670825	96887776	97527677
	315.1	48	95919876	98670817	97761201	98819882	96871241	98670827	98670827	97761180	97763478
	315.2	48	95919876	98670817	97761201	98819882	96871241	98670827	98670827	97761180	97763478
	315	48	95919876	98670817	97761201	98819882	96871241	98670827	98670827	97761180	97763478
	400	48	95919876	98670817	97761201	98819882	96871241	98670827	98670827	97761180	97763478
500	60	95919878	98670819	97761201	98819882	96871242	98670828	98670827	97761180	97763478	

Pump type	Pump shaft diameter d5	Bearings				V-ring			Oil seal	O-ring	
		Standard	PWIS-free	Heavy-duty		Standard	PWIS-free	Heavy-duty			
		Pump version				Pump version					
		A1, A2, I1, I2, Y		H1, H2, K1, K2, Z	G1, G2, J1, J2, W	A1, A2, I1, I2, Y		G1, G2, J1, J2, W			
250-200-	400	48	95919876	98670817	97761201	98819882	96871241	98670827	98670827	97761180	97763478
	450	48	95919876	98670817	97761201	98819882	96871241	98670827	98670827	97761180	97763478
300-250-	350	48	95919876	98670817	97761201	98819882	96871241	98670827	98670827	97761180	97763478
	400	48	95919876	98670817	97761201	98819882	96871241	98670827	98670827	97761180	97763478
	450	60	95919878	98670819	97761201	98819882	96871242	98670828	98670827	97761180	97763478
	500	60	95919878	98670819	97761201	98819882	96871242	98670828	98670827	97761180	97763478

²⁰ For 2-pole model only.

⁴⁾

Wear ring



TM044731

Material code: A, B, C, D, E, F, G, H, S, T		Material code: I, N, P, R, W		Material code: I, K, L, M, U	
Pos. 45	Pos. 45b	Pos. 45	Pos. 45b	Pos. 45	Pos. 45b
45: 1 x wear ring	45b: 1 x wear ring	45: 1 x wear ring 65: 1 x wear ring retainer 24: 4 x screw	45b: 1 x wear ring 65b: 1 x wear ring retainer 24b: 4 x screw	45: 1 x wear ring 24: 4 x screw	45b: 1 x wear ring 24b: 4 x screw

Material code A, B, C, D, E, F, G, H, S, T (pump housing material cast iron)

The material code can be found in the type designation on the nameplate.

NKG 125-100-160 /160-142 H2 F 2 (A) KE O 2926

Pump type	Wear ring inner diameter [mm]		Wear ring material			
			Bronze/Brass A, B, C, D, E, F, G, H, S, T		GG A, B, C, D, E, F, G, H, S, T	
	Pos. 45	Pos. 45b	Pos. 45	Pos. 45b	Pos. 45	Pos. 45b
125-100-160	125.1		96810099	-	-	-
	160.1		96810098	-	-	-
	200.1		96810099	-	-	-
50-32-	125		96810099	-	-	-
	160		96810099	96810102	-	-
	200		96810099	96810102	-	-
	250		96810099	96810103	-	-
65-50-	125		96810100	96810102	-	-
	160		96810100	96810102	-	-
	200		96810100	96810102	-	-
65-40-	250		96810100	96810103	-	-
	315		96810102	96797628	-	-
80-65-	125		96810102	96810102	-	-
	160		96810102	96810102	-	-
80-50-	200		96810102	96810102	-	-
	250		96810102	96810103	-	-
	315		96810103	96797628	-	-
100-80-	125		96810103	96810102	-	-
	160		96810103	96810104	-	-
	200		96810103	96810104	-	-
100-65-	250		96810105	96797628	-	-
	315		96810105	96797628	-	-

Pump type	Wear ring inner diameter [mm]		Wear ring material					
			Bronze/Brass		GG			
	Pos. 45	Pos. 45b	A, B, C, D, E, F, G, H, S, T	Pos. 45	Pos. 45b	A, B, C, D, E, F, G, H, S, T	Pos. 45	Pos. 45b
125-80-	160		96810106	96810104	-	-	-	-
	200		96797626	96797628	-	-	-	-
	250		96797626	96797628	-	-	-	-
	315		96797626	96797628	-	-	-	-
	400		96797628	96810109	-	-	-	-
125-100-	160		96810107	96810104	-	-	-	-
	174	154	96810108	96797628	-	-	-	-
	200	154	96797628	96797628	-	-	-	-
	250		96797628	96797628	-	-	-	-
	315		96797628	96797628	-	-	-	-
150-125-	400		96810109	96810109	-	-	-	-
	200		96810108	96797628	-	-	-	-
	250		96810109	96810109	-	-	-	-
	315		96810109	96797628	-	-	-	-
	400		96810109	96810112	-	-	-	-
200-150-	200		96810110	96810109	-	-	-	-
	250	185	96810111	96810109	-	-	-	-
	250	185	96810109	96810109	-	-	-	-
	315.1		96810111	96810112	-	-	-	-
	315.2		96810111	96810112	-	-	-	-
250-200-	315		96810111	96810112	-	-	-	-
	400		96810112	96810112	-	-	-	-
	500		96810112	96810112	-	-	-	-
	400		96939611	96939611	96939606	96939609	96939606	96939609
	450		96939612	96939612	96939607	96939607	96939607	96939607
300-250-	350		96939613	96939615	96939608	96939607	96939608	96939607
	400		96939615	96939615	96939607	96939607	96939607	96939607
	450		96939614	96939614	96939607	96939607	96939607	96939607
500		96939615	96939615	96939610	96939610	96939610	96939610	

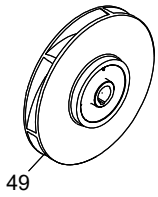
Material code I, J, K, L, M, N, P, R, W, U (pump housing material 1.4517 and 1.4408)

Pump type	Wear ring inner diameter [mm]		Material code				J, N, P, R, W				I, K, L, M, U			
			ACS approval		-		-		-		Yes			
	Wear ring material		Carbon-graphite-filled PTFE		Carbon-graphite-filled PTFE		1.4517		1.4517					
	Screw		1.4539		1.4401		1.4539		1.4401					
Pos. 45	Pos. 45b	Pos. 45	Pos. 45b	Pos. 45	Pos. 45b	Pos. 45	Pos. 45b	Pos. 45	Pos. 45b					
50-32-	125.1		96810113	96774200	96810114	96810117	96810134	96810138	96810135	96810139				
	160.1		97939262	96774200	97939263	96810117	97939264	96810138	97939265	96810139				
	200.1		97939262	96774200	97939263	96810117	97939264	96810138	97939265	96810139				
	125		96810113	96774200	96810114	96810117	96810134	96810138	96810135	96810139				
	160		96810113	96774200	96810114	96810117	96810134	96810138	96810135	96810139				
200		96810113	96774200	96810114	96810117	96810134	96810138	96810135	96810139					
250		96810113	96810120	96810114	96810121	96810134	96810142	96810135	96810143					
65-50-	125		96774200	96774200	96810117	96810117	96810138	96810138	96810139	96810139				
	160		96810115	96774200	96810116	96810117	96810136	96810138	96810137	96810139				

Pump type	Wear ring inner diameter [mm]		Material code				J, N, P, R, W				I, K, L, M, U			
			ACS approval		-		-		-		Yes			
			Wear ring material		Carbon-graphite-filled PTFE		Carbon-graphite-filled PTFE		1.4517		1.4517			
			Screw		1.4539		1.4401		1.4539		1.4401			
	Pos. 45	Pos. 45b	Pos. 45	Pos. 45b	Pos. 45	Pos. 45b	Pos. 45	Pos. 45b	Pos. 45	Pos. 45b				
65-40-	200		96810115	96774200	96810116	96810117	96810136	96810138	96810137	96810139				
	250		96810115	96810120	96810116	96810121	96810136	96810142	96810137	96810143				
	315		96774200	96810130	96810117	96810131	96810138	96810152	96810139	96810153				
80-65-	125		96810120	96774200	96810121	96810117	96810142	96810138	96810143	96810139				
	160		96774200	96774200	96810117	96810117	96810138	96810138	96810139	96810139				
80-50-	200		96774200	96774200	96810117	96810117	96810138	96810138	96810139	96810139				
	250		96774200	96810120	96810117	96810121	96810138	96810142	96810139	96810143				
	315		96810120	96810130	96810121	96810131	96810142	96810152	96810143	96810153				
100-80-	125		96810120	96774200	96810121	96810117	96810142	96810138	96810143	96810139				
	160		96810120	96810124	96810121	96810125	96810142	96810146	96810143	96810147				
100-65-	200		96810113	96810120	96810114	96810121	96810134	96810142	96810135	96810143				
	250		96810124	96810130	96810125	96810131	96810146	96810152	96810147	96810153				
	315		96810124	96810130	96810125	96810131	96810146	96810152	96810147	96810153				
125-80-	160		96810124	96810128	96810125	96810129	96810146	96810150	96810147	96810151				
	200		96810113	96810130	96810114	96810121	96810134	96810142	96810135	96810143				
	250		96810124	96810130	96810125	96810131	96810146	96810152	96810147	96810153				
	315		96810128	96810130	96810129	96810131	96810150	96810152	96810151	96810153				
	400.1		96810128	96810132	96810129	96810133	96810150	96810154	96810151	96810155				
	400		96810128	96810132	96810129	96810133	96810150	96810154	96810151	96810155				
125-100-	160		96810118	96810124	96810119	96810125	96810148	96810146	96810149	96810147				
	200		96810130	96810130	96810131	96810131	96810152	96810152	96810153	96810153				
	250		96810130	96810130	96810131	96810131	96810152	96810152	96810153	96810153				
	315		96810130	96810130	96810131	96810131	96810152	96810152	96810153	96810153				
	400		96810132	96810132	96810133	96810133	96810154	96810154	96810155	96810155				
150-125-	200	174	154	97939252	96810130	97939253	96810131	97939254	96810152	97939255	96810153			
	200	154	154	96810130	96810130	96810131	96810131	96810152	96810152	96810153	96810153			
	250			96810132	96810132	96810133	96810133	96810154	96810154	96810155	96810155			
	315			96810132	96810130	96810133	96810131	96810154	96810152	96810155	96810153			
	400			96810132	96810132	96810133	96810133	96810154	96810154	96810155	96810155			
	500			96810132	96810132	96810133	96810133	96810154	96810154	96810155	96810155			
200-150-	200			97939256	96810132	97939257	96810133	97939258	96810154	97939259	96810155			
	250	210	185	96887266	96810132	96887264	96810133	96887262	96810154	96887255	96810155			
	250	185	185	96810132	96810132	96810133	96810133	96810154	96810154	96810155	96810155			
	315.1			97739720	96887266	97739719	96887264	97739717	96887262	97739700	96887255			
	315.2			97739720	96887266	97739719	96887264	97739717	96887262	97739700	96887255			
	315			97739720	96887266	97739719	96887264	97739717	96887262	97739700	96887255			
	400			97739720	97739720	97739719	97739719	97739717	97739717	97739700	97739700			
	500			97739720	97739720	97739719	97739719	97739717	97739717	97739700	97739700			
250-200-	400			-	-	-	-	-	-	-	-			
	450			-	-	-	-	-	-	-	-			
300-250-	350			-	-	-	-	-	-	-	-			
	400			-	-	-	-	-	-	-	-			
	450			-	-	-	-	-	-	-	-			
	500			-	-	-	-	-	-	-	-			

Impeller

Impeller

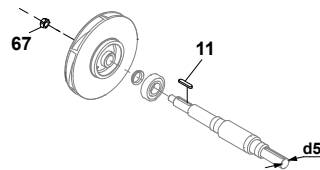


TM044729

Find the impeller in Grundfos Product Center, and contact your local sales company.

Nut, washer and key for impeller

Nut, washer and key for impeller



TM044782

Material code
A, B, C, D, E, F, G, H, K, M, N, P, S

11:1 x key

67:1 x nut

Material code
I, J, L, R, T, U, W

11:1 x key

67:1 x nut

The material code can be found in the type designation on the nameplate.

NKG 125-100-160 /160-142 H2 (F3) NKE O 2926

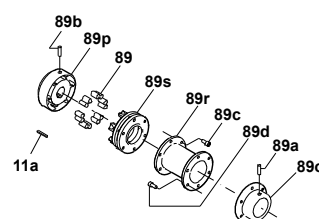
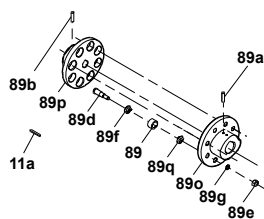
Pump type	Pump shaft dia.		Material code	
	d5	A, B, C, D, E, F, G, H, K, M, N, P, S	I, J, L, R, T, U, W	
	125.1	24	96939128	96939129
	160.1	24	96939128	96939129
	200.1	24	96939128	96939129
50-32-	125	24	96939128	96939129
	160	24	96939128	96939129
	200	24	96939128	96939129
	250	32	96939130	96939131
65-50-	125	24	96939128	96939129
	160	24	96939128	96939129
	200	24	96939128	96939129
65-40-	250	32	96939130	96939131
	315	32	96939130	96939131
80-65-	125	24	96939128	96939129
	160	24	96939128	96939129
	200	24	96939128	96939129
80-50-	250	32	96939130	96939131
	315	32	96939130	96939131
100-80-	125	24	96939128	96939129
	160	32	96939130	96939131
	200	32	96939130	96939131
100-65-	250	32	96939130	96939131
	315	42	96939132	96939133

Pump type	Pump shaft dia.	Material code		
		d5 A, B, C, D, E, F, G, H, K, M, N, P, S	I, J, L, R, T, U, W	
125-80-	160	32	96939130	96939131
	200	32	96939130	96939131
	250	32	96939130	96939131
	315	42	96939132	96939133
	400.1	42	96939132	96939133
	400	42	96939132	96939133
	400 ²⁰⁵⁾	48	96939134	96939135
125-100-	160	32	96939130	96939131
	200	32	96939130	96939131
	250	42	96939132	96939133
	315	42	96939132	96939133
	400	42	96939132	96939133
150-125-	200	32	96939130	96939131
	250	42	96939132	96939133
	315	42	96939132	96939133
200-150-	400	42	96939132	96939133
	500	60	96939137	96939138
	200	32	96939130	96939131
	250	42	96939132	96939133
	315.1	48	96939134	96939135
	315.2	48	96939134	96939135
	315	48	96939134	96939135
250-200-	400	48	96939134	96939135
	450	48	96939134	96939135
	350	48	96939134	96939135
300-250-	400	48	96939134	96939135
	450	60	96939137	96939138
	500	60	96939137	96939138

²⁰ For 2-pole model only

⁵⁾

Coupling



Grundfos standard coupling			Grundfos spacer coupling	
Coupling complete	Rubber	Bolts	Coupling complete	Rubber
89o:1 x male part 89p:1 x female part 89d:1 set of bolts/rubber parts 89a:1 x hexagon screw 89b:1 x hexagon screw 11a:1 x key	89: 1 set	89d:1 set of bolts 89f:1 set of washers 89q:1 set of washers 89g:1 set of lock washers 89e:1 set of nuts 89:1 set of rubber parts	89a:1 x set screw 89b:1 x set screw 89:1 set of rubber parts 89o:1 x coupling part, male 89s:1 x spacer ring 89p:1 x coupling part, female 89r:1 x spacer sleeve 89c:1 set of hexagon screws 89d:1 set of hexagon screws 11a:1 x key	89: 1 set

Pump type	Motor data								Shaft dia.		Grundfos standard coupling			Grundfos spacer coupling			
	Pole	Power [kW]		Frame size	Make	Pump	Motor	Coupling diameter	Coupling complete	Rubber	Bolts	Coupling diameter	Spacer length	Coupling complete	Rubber		
		50 Hz	60 Hz													[mm]	[mm]
50	32	125	2	1.1	-	90S	All	24	24	125	96848894	96789247	96809939	95	100	96579720	96480016
50	32	125	2	1.5	1.5	90S	All	24	24	125	96848894	96789247	96809939	95	100	96579720	96480016
50	32	125	2	2.2	2.2	90L	All	24	24	125	96848894	96789247	96809939	95	100	96579720	96480016
50	32	125	2	3	3	100L	All	24	28	140	96848895	96789247	96809940	95	100	96579722	96480016
50	32	125	2	-	4	112M	All	24	28	140	96848895	96789247	96809940	95	100	96579722	96480016
50	32	125	2	-	5.5	132S	All	24	38	160	96848896	96789247	96809941	95	100	96579726	96480016
50	32	125	4	0.25	0.25	71A	All	24	14	125	96848892	96789247	96809939	95	100	96579717	96480016
50	32	125	4	0.37	0.37	71B	All	24	14	125	96848892	96789247	96809939	95	100	96579717	96480016
50	32	125	4	-	0.55	80A	All	24	19	125	96848893	96789247	96809939	95	100	96579719	96480016
50	32	125	4	-	0.75	80B	All	24	19	125	96848893	96789247	96809939	95	100	96579719	96480016
50	32	160	2	2.2	-	90L	All	24	24	125	96848894	96789247	96809939	95	100	96579720	96480016
50	32	160	2	3	3	100L	All	24	28	140	96848895	96789247	96809940	95	100	96579722	96480016
50	32	160	2	4	4	112M	All	24	28	140	96848895	96789247	96809940	95	100	96579722	96480016
50	32	160	2	5.5	5.5	132S	All	24	38	160	96848896	96789247	96809941	95	100	96579726	96480016
50	32	160	2	-	7.5	132S	All	24	38	160	96848896	96789247	96809941	95	100	96579726	96480016
50	32	160	2	-	11	160M	All	24	42	180	96848897	96789247	96809941	95	100	96579731	96480016
50	32	160	4	0.25	-	71A	All	24	14	125	96848892	96789247	96809939	95	100	96579717	96480016
50	32	160	4	0.37	0.37	71B	All	24	14	125	96848892	96789247	96809939	95	100	96579717	96480016
50	32	160	4	0.55	0.55	80A	All	24	19	125	96848893	96789247	96809939	95	100	96579719	96480016
50	32	160	4	0.75	0.75	80B	All	24	19	125	96848893	96789247	96809939	95	100	96579719	96480016
50	32	160	4	-	1.1	90S	All	24	24	125	96848894	96789247	96809939	95	100	96579720	96480016
50	32	200	2	4	-	112M	All	24	28	140	96848895	96789247	96809940	95	100	96579722	96480016
50	32	200	2	5.5	5.5	132S	All	24	38	160	96848896	96789247	96809941	95	100	96579726	96480016
50	32	200	2	7.5	7.5	132S	All	24	38	160	96848896	96789247	96809941	95	100	96579726	96480016
50	32	200	2	11	11	160M	All	24	42	180	96848897	96789247	96809941	95	100	96579731	96480016
50	32	200	2	-	15	160M	All	24	42	180	96848897	96789247	96809941	95	100	96579731	96480016
50	32	200	2	-	18.5	160L	All	24	42	180	96848897	96789247	96809941	95	100	96579731	96480016
50	32	200	4	0.55	-	80A	All	24	19	125	96848893	96789247	96809939	95	100	96579719	96480016
50	32	200	4	0.75	0.75	80B	All	24	19	125	96848893	96789247	96809939	95	100	96579719	96480016
50	32	200	4	1.1	1.1	90S	All	24	24	125	96848894	96789247	96809939	95	100	96579720	96480016

Pump type	Motor data								Shaft dia.		Grundfos standard coupling				Grundfos spacer coupling			
	Pole	Power [kW]		Frame size	Make	Pump	Motor	Coupling diameter	Coupling complete	Rubber	Bolts	Coupling diameter	Spacer length	Coupling complete	Rubber			
		50 Hz	60 Hz													[mm]	[mm]	[mm]
80 65 160	2	11	11	160M	All	24	42	180	96848897	96789247	96809941	95	100	96579731	96480016			
80 65 160	2	15	15	160M	All	24	42	180	96848897	96789247	96809941	95	100	96579731	96480016			
80 65 160	2	-	18.5	160L	All	24	42	180	96848897	96789247	96809941	95	100	96579731	96480016			
80 65 160	2	-	22	180M	All	24	48	200	96848898	96789269	96809942	110	100	96579733	96480017			
80 65 160	4	0.55	-	80A	All	24	19	125	96848893	96789247	96809939	95	100	96579719	96480016			
80 65 160	4	0.75	-	80B	All	24	19	125	96848893	96789247	96809939	95	100	96579719	96480016			
80 65 160	4	1.1	1.1	90S	All	24	24	125	96848894	96789247	96809939	95	100	96579720	96480016			
80 65 160	4	1.5	1.5	90L	All	24	24	125	96848894	96789247	96809939	95	100	96579720	96480016			
80 65 160	4	2.2	2.2	100L	All	24	28	140	96848895	96789247	96809940	95	100	96579722	96480016			
80 65 160	4	-	3	100L	All	24	28	140	96848895	96789247	96809940	95	100	96579722	96480016			
100 65 200	2	11	-	160M	All	32	42	180	96848906	96789247	96809941	95	140	96579802	96480016			
100 65 200	2	15	-	160M	All	32	42	180	96848906	96789247	96809941	95	140	96579802	96480016			
100 65 200	2	18.5	18.5	160L	All	32	42	180	96848906	96789247	96809941	95	140	96579802	96480016			
100 65 200	2	22	22	180M	All	32	48	200	96848907	96789269	96809942	110	140	96579803	96480017			
100 65 200	2	30	30	200L	All	32	55	200	96848908	96789269	96809942	125	140	96579804	96480018			
100 65 200	2	37	37	200L	All	32	55	200	96848908	96789269	96809942	125	140	96579804	96480018			
100 65 200	2	-	45	225M	All	32	55	200	96848908	96789269	96809942	125	140	96579804	96480018			
100 65 200	2	-	55	250M	All	32	60	224	96848909	96789269	96809942	140	140	96579805	96480019			
100 65 200	4	1.5	-	90L	All	32	24	125	96848903	96789247	96809939	95	140	96579785	96480016			
100 65 200	4	2.2	-	100L	All	32	28	140	96848904	96789247	96809940	95	140	96579788	96480016			
100 65 200	4	3	3	100L	All	32	28	140	96848904	96789247	96809940	95	140	96579788	96480016			
100 65 200	4	4	4	112M	All	32	28	140	96848904	96789247	96809940	95	140	96579788	96480016			
100 65 200	4	-	5.5	132S	All	32	38	160	96848905	96789247	96809941	95	140	96579800	96480016			
100 65 200	4	-	7.5	132M	All	32	38	160	96848905	96789247	96809941	95	140	96579800	96480016			
100 65 250	2	30	-	200L	All	32	55	200	96848908	96789269	96809942	125	140	96579804	96480018			
100 65 250	2	37	-	200L	All	32	55	200	96848908	96789269	96809942	125	140	96579804	96480018			
100 65 250	2	45	45	225M	All	32	55	200	96848908	96789269	96809942	125	140	96579804	96480018			
100 65 250	2	55	55	250M	All	32	60	224	96848909	96789269	96809942	140	140	96579805	96480019			
100 65 250	2	75	75	280S	All	32	65	224	96848910	96789269	96809942	160	140	96579806	96480040			
100 65 250	2	-	90	280M	All	32	65	224	96848910	96789269	96809942	160	140	96579806	96480040			
100 65 250	2	-	110	315S	All	32	65	224	96848910	96789269	96809942	160	140	96579806	96480040			
100 65 250	4	3	-	100L	All	32	28	140	96848904	96789247	96809940	95	140	96579788	96480016			
100 65 250	4	4	-	112M	All	32	28	140	96848904	96789247	96809940	95	140	96579788	96480016			
100 65 250	4	5.5	5.5	132S	All	32	38	160	96848905	96789247	96809941	95	140	96579800	96480016			
100 65 250	4	7.5	7.5	132M	All	32	38	160	96848905	96789247	96809941	95	140	96579800	96480016			
100 65 250	4	-	11	160M	All	32	42	180	96848906	96789247	96809941	95	140	96579802	96480016			
100 65 250	4	-	15	160L	All	32	42	180	96848906	96789247	96809941	95	140	96579802	96480016			
100 65 315	2	55	-	250M	All	42	60	224	96848918	96789269	96809942	140	140	96861615	96480019			
100 65 315	2	75	-	280S	All	42	65	224	96848919	96789269	96809942	160	140	96861617	96480040			
100 65 315	2	90	90	280M	All	42	65	224	96848919	96789269	96809942	160	140	96861617	96480040			
100 65 315	2	110	110	315S	All	42	65	224	96848919	96789269	96809942	160	140	96861617	96480040			
100 65 315	2	-	132	315M	All	42	65	224	96848919	96789269	96809942	160	140	96861617	96480040			
100 65 315	2	-	160	315L	All	42	65	224	96848919	96789269	96809942	160	140	96861617	96480040			
100 65 315	2	-	200	315L	All	42	65	224	96848919	96789269	96809942	200	140	96861618	96796255			
100 65 315	4	5.5	-	132S	All	42	38	160	96848914	96789247	96809941	95	140	96861607	96480016			
100 65 315	4	7.5	7.5	132M	All	42	38	160	96848914	96789247	96809941	95	140	96861607	96480016			
100 65 315	4	11	11	160M	All	42	42	180	96848915	96789247	96809941	95	140	96861609	96480016			
100 65 315	4	15	15	160L	All	42	42	180	96848915	96789247	96809941	95	140	96861609	96480016			
100 65 315	4	-	18.5	180M	All	42	48	200	96848916	96789269	96809942	110	140	96861611	96480017			
100 65 315	4	-	22	180L	All	42	48	200	96848916	96789269	96809942	110	140	96861611	96480017			
100 80 125	2	4	-	112M	All	24	28	140	96848895	96789247	96809940	95	100	96579722	96480016			

Pump type	Motor data								Shaft dia.		Grundfos standard coupling				Grundfos spacer coupling			
	Pole	Power [kW]		Frame size	Make	Pump	Motor	Coupling diameter	Coupling complete	Rubber	Bolts	Coupling diameter	Spacer length	Coupling complete	Rubber			
		50 Hz	60 Hz													[mm]	[mm]	[mm]
125	80	250	2	-	110	315S	All	32	65	224	96848910	96789269	96809942	160	140	96579806	96480040	
125	80	250	2	-	132	315M	All	32	65	224	96848910	96789269	96809942	160	140	96579806	96480040	
125	80	250	2	-	160	315L	All	32	65	224	96848910	96789269	96809942	160	140	96579806	96480040	
125	80	250	4	5.5	-	132S	All	32	38	160	96848905	96789247	96809941	95	140	96579800	96480016	
125	80	250	4	7.5	7.5	132M	All	32	38	160	96848905	96789247	96809941	95	140	96579800	96480016	
125	80	250	4	11	11	160M	All	32	42	180	96848906	96789247	96809941	95	140	96579802	96480016	
125	80	250	4	-	15	160L	All	32	42	180	96848906	96789247	96809941	95	140	96579802	96480016	
125	80	250	4	-	18.5	180M	All	32	48	200	96848907	96789269	96809942	110	140	96579803	96480017	
125	80	315	2	90	-	280M	All	42	65	224	96848919	96789269	96809942	160	140	96861617	96480040	
125	80	315	2	110	-	315S	All	42	65	224	96848919	96789269	96809942	160	140	96861617	96480040	
125	80	315	2	132	132	315M	All	42	65	224	96848919	96789269	96809942	160	140	96861617	96480040	
125	80	315	2	160	160	315L	All	42	65	224	96848919	96789269	96809942	160	140	96861617	96480040	
125	80	315	2	200	200	315L	All	42	65	224	96848919	96789269	96809942	200	140	96861618	96796255	
125	80	315	2	-	250	355	MMG-E	42	75	250	96848921	96789274	96809943	180	140	96861623	96796254	
125	80	315	2	-	250	315	MMG-G, EFF1	42	70	250	96848920	96789274	96809943	180	140	96861620	96796254	
125	80	315	2	-	250	355	MMG-G, EFF2	42	75	250	96848921	96789274	96809943	180	140	96861623	96796254	
125	80	315	2	-	280	315L	Siemens	42	65	224	96848919	96789269	96809942	200	140	96861618	96796255	
125	80	315	4	11	-	160M	All	42	42	180	96848915	96789247	96809941	95	140	96861609	96480016	
125	80	315	4	15	-	160L	All	42	42	180	96848915	96789247	96809941	95	140	96861609	96480016	
125	80	315	4	18.5	18.5	180M	All	42	48	200	96848916	96789269	96809942	110	140	96861611	96480017	
125	80	315	4	22	22	180L	All	42	48	200	96848916	96789269	96809942	110	140	96861611	96480017	
125	80	315	4	-	30	200L	All	42	55	200	96848917	96789269	96809942	125	140	96861613	96480018	
125	80	315	4	-	37	225S	All	42	60	224	96848918	96789269	96809942	140	140	96861615	96480019	
125	80	315	4	-	45	225M	All	42	60	224	96848918	96789269	96809942	140	140	96861615	96480019	
125	80	400	2	200	0	315L	All	48	65	224	96848930	96789269	96809942	200	180	96861635	96796255	
125	80	400	2	250	0	315	All	48	65	224	96848930	96789269	96809942	200	180	96861635	96796255	
125	80	400	2	315	0	315	All	48	65	224	96848930	96789269	96809942	200	180	96861635	96796255	
125	80	400	4	18.5	-	180M	All	42	48	200	96848916	96789269	96809942	110	140	96861611	96480017	
125	80	400	4	22	-	180L	All	42	48	200	96848916	96789269	96809942	110	140	96861611	96480017	
125	80	400	4	30	30	200L	All	42	55	200	96848917	96789269	96809942	125	140	96861613	96480018	
125	80	400	4	37	37	225S	All	42	60	224	96848918	96789269	96809942	140	140	96861615	96480019	
125	80	400	4	45	45	225M	All	42	60	224	96848918	96789269	96809942	140	140	96861615	96480019	
125	80	400	4	-	55	250M	Siemens, MMG-E	42	65	224	96848919	96789269	96809942	160	140	96861617	96480040	
125	80	400	4	-	55	250S	MMG-G, EFF1 & EFF2	42	70	250	96848920	96789274	96809943	180	140	96861620	96796254	
125	80	400	4	-	75	280S	Siemens, MMG-E	42	75	250	96848921	96789274	96809943	180	140	96861623	96796254	
125	80	400	4	-	75	250M	MMG-G, EFF1 & EFF2	42	70	250	96848920	96789274	96809943	180	140	96861620	96796254	
125	80	400	4	-	90	280M	Siemens, MMG-E	42	75	250	96848921	96789274	96809943	180	140	96861623	96796254	
125	80	400	4	-	90	280S	MMG-G, EFF1 & EFF2	42	80	250	96848922	96789274	96809943	200	140	96861626	96796255	
125	80	400.1	2	132	0	315M	All	42	65	224	96848919	96789269	96809942	160	140	96861617	96480040	
125	80	400.1	2	160	0	315L	All	42	65	224	96848919	96789269	96809942	160	140	96861617	96480040	
125	80	400.1	2	200	0	315L	All	42	65	224	96848919	96789269	96809942	200	140	96861618	96796255	
125	80	400.1	2	250	0	315	All	42	65	224	96848919	96789269	96809942	200	140	96861618	96796255	
125	100	160	2	22	-	180M	All	32	48	200	96848907	96789269	96809942	110	140	96579803	96480017	
125	100	160	2	30	-	200L	All	32	55	200	96848908	96789269	96809942	125	140	96579804	96480018	
125	100	160	2	37	37	200L	All	32	55	200	96848908	96789269	96809942	125	140	96579804	96480018	
125	100	160	2	-	45	225M	All	32	55	200	96848908	96789269	96809942	125	140	96579804	96480018	
125	100	160	2	-	55	250M	All	32	60	224	96848909	96789269	96809942	140	140	96579805	96480019	

Pump type	Motor data								Shaft dia.		Grundfos standard coupling				Grundfos spacer coupling			
	Pole	Power [kW]		Frame size	Make	Pump	Motor	Coupling diameter	Coupling complete	Rubber	Bolts	Coupling diameter	Spacer length	Coupling complete	Rubber			
		50 Hz	60 Hz													[mm]	[mm]	[mm]
125 100 160	2	-	75	280S	All	32	65	224	96848910	96789269	96809942	160	140	96579806	96480040			
125 100 160	4	2.2	-	100L	All	32	28	140	96848904	96789247	96809940	95	140	96579788	96480016			
125 100 160	4	3	-	100L	All	32	28	140	96848904	96789247	96809940	95	140	96579788	96480016			
125 100 160	4	4	4	112M	All	32	28	140	96848904	96789247	96809940	95	140	96579788	96480016			
125 100 160	4	-	5.5	132S	All	32	38	160	96848905	96789247	96809941	95	140	96579800	96480016			
125 100 160	4	-	7.5	132M	All	32	38	160	96848905	96789247	96809941	95	140	96579800	96480016			
125 100 160	6	0.55	-	80B	All	32	19	125	96848902	96789247	96809939	95	140	96579783	96480016			
125 100 160	6	0.75	-	90S	All	32	24	125	96848903	96789247	96809939	95	140	96579785	96480016			
125 100 160	6	1.1	1.1	90L	All	32	24	125	96848903	96789247	96809939	95	140	96579785	96480016			
125 100 160	6	-	1.5	100L	All	32	28	140	96848904	96789247	96809940	95	140	96579788	96480016			
125 100 160	6	-	2.2	112M	All	32	28	140	96848904	96789247	96809940	95	140	96579788	96480016			
125 100 200	2	30	-	200L	All	32	55	200	96848908	96789269	96809942	125	140	96579804	96480018			
125 100 200	2	37	-	200L	All	32	55	200	96848908	96789269	96809942	125	140	96579804	96480018			
125 100 200	2	45	-	225M	All	32	55	200	96848908	96789269	96809942	125	140	96579804	96480018			
125 100 200	2	55	55	250M	All	32	60	224	96848909	96789269	96809942	140	140	96579805	96480019			
125 100 200	2	75	75	280S	All	32	65	224	96848910	96789269	96809942	160	140	96579806	96480040			
125 100 200	2	-	90	280M	All	32	65	224	96848910	96789269	96809942	160	140	96579806	96480040			
125 100 200	2	-	110	315S	All	32	65	224	96848910	96789269	96809942	160	140	96579806	96480040			
125 100 200	2	-	132	315M	All	32	65	224	96848910	96789269	96809942	160	140	96579806	96480040			
125 100 200	4	4	-	112M	All	32	28	140	96848904	96789247	96809940	95	140	96579788	96480016			
125 100 200	4	5.5	5.5	132S	All	32	38	160	96848905	96789247	96809941	95	140	96579800	96480016			
125 100 200	4	7.5	7.5	132M	All	32	38	160	96848905	96789247	96809941	95	140	96579800	96480016			
125 100 200	4	11	11	160M	All	32	42	180	96848906	96789247	96809941	95	140	96579802	96480016			
125 100 200	4	-	15	160L	All	32	42	180	96848906	96789247	96809941	95	140	96579802	96480016			
125 100 200	4	-	18.5	180M	All	32	48	200	96848907	96789269	96809942	110	140	96579803	96480017			
125 100 200	6	1.1	-	90L	All	32	24	125	96848903	96789247	96809939	95	140	96579785	96480016			
125 100 200	6	1.5	1.5	100L	All	32	28	140	96848904	96789247	96809940	95	140	96579788	96480016			
125 100 200	6	2.2	2.2	112M	All	32	28	140	96848904	96789247	96809940	95	140	96579788	96480016			
125 100 200	6	3	3	132SA	All	32	38	160	96848905	96789247	96809941	95	140	96579800	96480016			
125 100 200	6	-	4	132MA	All	32	38	160	96848905	96789247	96809941	95	140	96579800	96480016			
125 100 200	6	-	5.5	132MB	All	32	38	160	96848905	96789247	96809941	95	140	96579800	96480016			
125 100 250	2	55	-	250M	All	42	60	224	96848918	96789269	96809942	140	140	96861615	96480019			
125 100 250	2	75	-	280S	All	42	65	224	96848919	96789269	96809942	160	140	96861617	96480040			
125 100 250	2	90	-	280M	All	42	65	224	96848919	96789269	96809942	160	140	96861617	96480040			
125 100 250	2	110	110	315S	All	42	65	224	96848919	96789269	96809942	160	140	96861617	96480040			
125 100 250	2	132	132	315M	All	42	65	224	96848919	96789269	96809942	160	140	96861617	96480040			
125 100 250	2	-	160	315L	All	42	65	224	96848919	96789269	96809942	160	140	96861617	96480040			
125 100 250	2	-	200	315L	All	42	65	224	96848919	96789269	96809942	160	140	96861617	96480040			
125 100 250	2	-	250	355	MMG-E	42	75	250	96848921	96789274	96809943	180	140	96861623	96796254			
125 100 250	2	-	250	315	MMG-G, EFF1	42	70	250	96848920	96789274	96809943	180	140	96861620	96796254			
125 100 250	2	-	250	355	MMG-G, EFF2	42	75	250	96848921	96789274	96809943	180	140	96861623	96796254			
125 100 250	2	-	280	315L	Siemens	42	65	224	96848919	96789269	96809942	200	140	96861618	96796255			
125 100 250	4	7.5	-	132M	All	42	38	160	96848914	96789247	96809941	95	140	96861607	96480016			
125 100 250	4	11	-	160M	All	42	42	180	96848915	96789247	96809941	95	140	96861609	96480016			
125 100 250	4	15	15	160L	All	42	42	180	96848915	96789247	96809941	95	140	96861609	96480016			
125 100 250	4	18.5	18.5	180M	All	42	48	200	96848916	96789269	96809942	110	140	96861611	96480017			
125 100 250	4	-	22	180L	All	42	48	200	96848916	96789269	96809942	110	140	96861611	96480017			
125 100 250	4	-	30	200L	All	42	55	200	96848917	96789269	96809942	125	140	96861613	96480018			
125 100 250	6	2.2	-	112M	All	42	28	160	96848913	96789247	96809941	95	140	96861606	96480016			
125 100 250	6	3	-	132SA	All	42	38	160	96848914	96789247	96809941	95	140	96861607	96480016			
125 100 250	6	4	4	132MA	All	42	38	160	96848914	96789247	96809941	95	140	96861607	96480016			

Pump type	Motor data								Shaft dia.		Grundfos standard coupling				Grundfos spacer coupling			
	Pole	Power [kW]		Frame size	Make	Pump	Motor	Coupling diameter	Coupling complete	Rubber	Bolts	Coupling diameter	Spacer length	Coupling complete	Rubber			
		50 Hz	60 Hz													[mm]	[mm]	[mm]
125 100 250	6	5.5	5.5	132MB	All	42	38	160	96848914	96789247	96809941	95	140	96861607	96480016			
125 100 250	6	-	7.5	160M	All	42	42	180	96848915	96789247	96809941	95	140	96861609	96480016			
125 100 250	6	-	11	160L	All	42	42	180	96848915	96789247	96809941	95	140	96861609	96480016			
125 100 315	2	110	-	315S	All	42	65	224	96848919	96789269	96809942	160	140	96861617	96480040			
125 100 315	2	132	-	315M	All	42	65	224	96848919	96789269	96809942	160	140	96861617	96480040			
125 100 315	2	160	-	315L	All	42	65	224	96848919	96789269	96809942	160	140	96861617	96480040			
125 100 315	2	200	-	315L	All	42	65	224	96848919	96789269	96809942	160	140	96861617	96480040			
125 100 315	4	15	-	160L	All	42	42	180	96848915	96789247	96809941	95	140	96861609	96480016			
125 100 315	4	18.5	-	180M	All	42	48	200	96848916	96789269	96809942	110	140	96861611	96480017			
125 100 315	4	22	22	180L	All	42	48	200	96848916	96789269	96809942	110	140	96861611	96480017			
125 100 315	4	30	30	200L	All	42	55	200	96848917	96789269	96809942	125	140	96861613	96480018			
125 100 315	4	-	37	225S	All	42	60	224	96848918	96789269	96809942	140	140	96861615	96480019			
125 100 315	4	-	45	225M	All	42	60	224	96848918	96789269	96809942	140	140	96861615	96480019			
125 100 315	4	-	55	250M	Siemens, MMG-E	42	65	224	96848919	96789269	96809942	160	140	96861617	96480040			
125 100 315	4	-	55	250S	MMG-G, EFF1 & EFF2	42	70	250	96848920	96789274	96809943	180	140	96861620	96796254			
125 100 315	6	4	-	132MA	All	42	38	160	96848914	96789247	96809941	95	140	96861607	96480016			
125 100 315	6	5.5	-	132MB	All	42	38	160	96848914	96789247	96809941	95	140	96861607	96480016			
125 100 315	6	7.5	7.5	160M	All	42	42	180	96848915	96789247	96809941	95	140	96861609	96480016			
125 100 315	6	11	11	160L	All	42	42	180	96848915	96789247	96809941	95	140	96861609	96480016			
125 100 315	6	-	15	180L	All	42	48	200	96848916	96789269	96809942	110	140	96861611	96480017			
125 100 400	4	22	-	180L	All	42	48	200	96848916	96789269	96809942	110	140	96861611	96480017			
125 100 400	4	30	-	200L	All	42	55	200	96848917	96789269	96809942	125	140	96861613	96480018			
125 100 400	4	37	37	225S	All	42	60	224	96848918	96789269	96809942	140	140	96861615	96480019			
125 100 400	4	45	45	225M	All	42	60	224	96848918	96789269	96809942	140	140	96861615	96480019			
125 100 400	4	55	55	250M	Siemens, MMG-E	42	65	224	96848919	96789269	96809942	160	140	96861617	96480040			
125 100 400	4	55	55	250S	MMG-G, EFF1 & EFF2	42	70	250	96848920	96789274	96809943	180	140	96861620	96796254			
125 100 400	4	-	75	280S	Siemens, MMG-E	42	75	250	96848921	96789274	96809943	180	140	96861623	96796254			
125 100 400	4	-	75	250M	MMG-G, EFF1 & EFF2	42	70	250	96848920	96789274	96809943	180	140	96861620	96796254			
125 100 400	4	-	90	280M	Siemens, MMG-E	42	75	250	96848921	96789274	96809943	180	140	96861623	96796254			
125 100 400	4	-	90	280S	MMG-G, EFF1 & EFF2	42	80	250	96848922	96789274	96809943	200	140	96861626	96796255			
125 100 400	6	7.5	-	160M	All	42	42	180	96848915	96789247	96809941	95	140	96861609	96480016			
125 100 400	6	11	11	160L	All	42	42	180	96848915	96789247	96809941	95	140	96861609	96480016			
125 100 400	6	15	15	180L	All	42	48	200	96848916	96789269	96809942	110	140	96861611	96480017			
125 100 400	6	18.5	18.5	200LA	All	42	55	200	96848917	96789269	96809942	125	140	96861613	96480018			
125 100 400	6	-	22	200LB	All	42	55	200	96848917	96789269	96809942	125	140	96861613	96480018			
125 100 400	6	-	30	225M	All	42	60	224	96848918	96789269	96809942	140	140	96861615	96480019			
150 125 200	2	45	-	225M	All	32	55	200	96848908	96789269	96809942	125	140	96579804	96480018			
150 125 200	2	55	-	250M	All	32	60	224	96848909	96789269	96809942	140	140	96579805	96480019			
150 125 200	2	75	75	280S	All	32	65	224	96848910	96789269	96809942	160	140	96579806	96480040			
150 125 200	2	90	90	280S	All	32	65	224	96848910	96789269	96809942	160	140	96579806	96480040			
150 125 200	2	110	110	315S	All	32	65	224	96848910	96789269	96809942	160	140	96579806	96480040			
150 125 200	2	-	132	315M	All	32	65	224	96848910	96789269	96809942	160	140	96579806	96480040			
150 125 200	2	-	160	315L	All	32	65	224	96848910	96789269	96809942	160	140	96579806	96480040			
150 125 200	2	-	200	315L	All	32	65	224	96848910	96789269	96809942	160	140	96579806	96480040			
150 125 200	4	5.5	-	132S	All	32	38	160	96848905	96789247	96809941	95	140	96579800	96480016			
150 125 200	4	7.5	-	132M	All	32	38	160	96848905	96789247	96809941	95	140	96579800	96480016			

Pump type	Motor data								Shaft dia.		Grundfos standard coupling				Grundfos spacer coupling			
	Pole	Power [kW]		Frame size	Make	Pump	Motor	Coupling diameter	Coupling complete	Rubber	Bolts	Coupling diameter	Spacer length	Coupling complete	Rubber			
		50 Hz	60 Hz													[mm]	[mm]	[mm]
150 125 200	4	11	11	160M	All	32	42	180	96848906	96789247	96809941	95	140	96579802	96480016			
150 125 200	4	15	15	160L	All	32	42	180	96848906	96789247	96809941	95	140	96579802	96480016			
150 125 200	4	-	18.5	180M	All	32	48	200	96848907	96789269	96809942	110	140	96579803	96480017			
150 125 200	4	-	22	180L	All	32	48	200	96848907	96789269	96809942	110	140	96579803	96480017			
150 125 200	6	1.5	-	100L	All	32	28	140	96848904	96789247	96809940	95	140	96579788	96480016			
150 125 200	6	2.2	-	112M	All	32	28	140	96848904	96789247	96809940	95	140	96579788	96480016			
150 125 200	6	3	3	132SA	All	32	38	160	96848905	96789247	96809941	95	140	96579800	96480016			
150 125 200	6	4	4	132MA	All	32	38	160	96848905	96789247	96809941	95	140	96579800	96480016			
150 125 200	6	-	5.5	132MB	All	32	38	160	96848905	96789247	96809941	95	140	96579800	96480016			
150 125 200	6	-	7.5	160M	All	32	42	180	96848906	96789247	96809941	95	140	96579802	96480016			
150 125 250	2	90	-	280S	All	42	65	224	96848919	96789269	96809942	160	140	96861617	96480040			
150 125 250	2	110	-	315S	All	42	65	224	96848919	96789269	96809942	160	140	96861617	96480040			
150 125 250	2	132	-	315M	All	42	65	224	96848919	96789269	96809942	160	140	96861617	96480040			
150 125 250	2	160	160	315L	All	42	65	224	96848919	96789269	96809942	160	140	96861617	96480040			
150 125 250	2	200	200	315L	All	42	65	224	96848919	96789269	96809942	160	140	96861617	96480040			
150 125 250	2	-	250	355	MMG-E	42	75	250	96848921	96789274	96809943	180	140	96861623	96796254			
150 125 250	2	-	250	315	MMG-G, EFF1	42	70	250	96848920	96789274	96809943	180	140	96861620	96796254			
150 125 250	2	-	250	355	MMG-G, EFF2	42	75	250	96848921	96789274	96809943	180	140	96861623	96796254			
150 125 250	2	-	280	315L	Siemens	42	65	224	96848919	96789269	96809942	200	140	96861618	96796255			
150 125 250	2	-	315	355	MMG-E	42	75	250	96848921	96789274	96809943	200	140	96861624	96796255			
150 125 250	2	-	315	315	MMG-G, EFF1	42	70	250	96848920	96789274	96809943	200	140	96861621	96796255			
150 125 250	2	-	315	355	MMG-G, EFF2	42	75	250	96848921	96789274	96809943	200	140	96861624	96796255			
150 125 250	2	-	353	315L	Siemens	42	65	224	96848919	96789269	96809942	200	140	96861618	96796255			
150 125 250	4	11	-	160M	All	42	42	180	96848915	96789247	96809941	95	140	96861609	96480016			
150 125 250	4	15	-	160L	All	42	42	180	96848915	96789247	96809941	95	140	96861609	96480016			
150 125 250	4	18.5	18.5	180M	All	42	48	200	96848916	96789269	96809942	110	140	96861611	96480017			
150 125 250	4	22	22	180L	All	42	48	200	96848916	96789269	96809942	110	140	96861611	96480017			
150 125 250	4	30	30	200L	All	42	55	200	96848917	96789269	96809942	125	140	96861613	96480018			
150 125 250	4	-	37	225S	All	42	60	224	96848918	96789269	96809942	140	140	96861615	96480019			
150 125 250	4	-	45	225M	All	42	60	224	96848918	96789269	96809942	140	140	96861615	96480019			
150 125 250	6	3	-	132SA	All	42	38	160	96848914	96789247	96809941	95	140	96861607	96480016			
150 125 250	6	4	-	132MA	All	42	38	160	96848914	96789247	96809941	95	140	96861607	96480016			
150 125 250	6	5.5	5.5	132MB	All	42	38	160	96848914	96789247	96809941	95	140	96861607	96480016			
150 125 250	6	7.5	7.5	160M	All	42	42	180	96848915	96789247	96809941	95	140	96861609	96480016			
150 125 250	6	-	11	160L	All	42	42	180	96848915	96789247	96809941	95	140	96861609	96480016			
150 125 250	6	-	15	180L	All	42	48	200	96848916	96789269	96809942	110	140	96861611	96480017			
150 125 315	2	132	-	315M	All	42	65	224	96848919	96789269	96809942	160	140	96861617	96480040			
150 125 315	2	160	-	315L	All	42	65	224	96848919	96789269	96809942	160	140	96861617	96480040			
150 125 315	2	200	-	315L	All	42	65	224	96848919	96789269	96809942	160	140	96861617	96480040			
150 125 315	2	250	-	355	MMG-E	42	75	250	96848921	96789274	96809943	180	140	96861623	96796254			
150 125 315	2	250	-	315	MMG-G, EFF1	42	70	250	96848920	96789274	96809943	180	140	96861620	96796254			
150 125 315	2	250	-	355	MMG-G, EFF2	42	75	250	96848921	96789274	96809943	180	140	96861623	96796254			
150 125 315	2	250	-	315L	Siemens	42	65	224	96848919	96789269	96809942	200	140	96861618	96796255			
150 125 315	4	18.5	-	180M	All	42	48	200	96848916	96789269	96809942	110	140	96861611	96480017			
150 125 315	4	22	-	180L	All	42	48	200	96848916	96789269	96809942	110	140	96861611	96480017			
150 125 315	4	30	30	200L	All	42	55	200	96848917	96789269	96809942	125	140	96861613	96480018			
150 125 315	4	37	37	225S	All	42	60	224	96848918	96789269	96809942	140	140	96861615	96480019			
150 125 315	4	45	45	225M	All	42	60	224	96848918	96789269	96809942	140	140	96861615	96480019			
150 125 315	4	-	55	250M	Siemens, MMG-E	42	65	224	96848919	96789269	96809942	160	140	96861617	96480040			
150 125 315	4	-	55	250S	MMG-G, EFF1 & EFF2	42	70	250	96848920	96789274	96809943	180	140	96861620	96796254			

Pump type	Motor data							Shaft dia.		Grundfos standard coupling				Grundfos spacer coupling			
	Pole	Power [kW]		Frame size	Make	Pump	Motor	Coupling diameter	Coupling complete	Rubber	Bolts	Coupling diameter	Spacer length	Coupling complete	Rubber		
		50 Hz	60 Hz													[mm]	[mm]
150 125 315	4	-	75	280S	Siemens, MMG-E	42	75	250	96848921	96789274	96809943	180	140	96861623	96796254		
150 125 315	4	-	75	250M	MMG-G, EFF1& EFF2	42	70	250	96848920	96789274	96809943	180	140	96861620	96796254		
150 125 315	6	5.5	-	132MB	All	42	38	160	96848914	96789247	96809941	95	140	96861607	96480016		
150 125 315	6	7.5	7.5	160M	All	42	42	180	96848915	96789247	96809941	95	140	96861609	96480016		
150 125 315	6	11	11	160L	All	42	42	180	96848915	96789247	96809941	95	140	96861609	96480016		
150 125 315	6	15	15	180L	All	42	48	200	96848916	96789269	96809942	110	140	96861611	96480017		
150 125 315	6	-	18.5	200LA	All	42	55	200	96848917	96789269	96809942	125	140	96861613	96480018		
150 125 315	6	-	22	200LB	All	42	55	200	96848917	96789269	96809942	125	140	96861613	96480018		
150 125 400	4	37	-	225S	All	42	60	224	96848918	96789269	96809942	140	140	96861615	96480019		
150 125 400	4	45	-	225M	All	42	60	224	96848918	96789269	96809942	140	140	96861615	96480019		
150 125 400	4	55	55	250M	Siemens, MMG-E	42	65	224	96848919	96789269	96809942	160	140	96861617	96480040		
150 125 400	4	55	55	250S	MMG-G, EFF1 & EFF2	42	70	250	96848920	96789274	96809943	180	140	96861620	96796254		
150 125 400	4	75	75	280S	Siemens, MMG-E	42	75	250	96848921	96789274	96809943	180	140	96861623	96796254		
150 125 400	4	75	75	250M	MMG-G, EFF1 & EFF2	42	70	250	96848920	96789274	96809943	180	140	96861620	96796254		
150 125 400	4	90	90	280M	Siemens, MMG-E	42	75	250	96848921	96789274	96809943	180	140	96861623	96796254		
150 125 400	4	90	90	280S	MMG-G, EFF1 & EFF2	42	80	250	96848922	96789274	96809943	200	140	96861626	96796255		
150 125 400	4	-	110	315S	Siemens, MMG-E	42	80	250	96848922	96789274	96809943	200	140	96861626	96796255		
150 125 400	4	-	110	280M	MMG-G, EFF1 & EFF2	42	80	250	96848922	96789274	96809943	200	140	96861626	96796255		
150 125 400	4	-	132	315M	Siemens, MMG-E	42	80	250	96848922	96789274	96809943	200	140	96861626	96796255		
150 125 400	4	-	132	315S	MMG-G, EFF1 & EFF2	42	85	250	96848923	96789274	96809943	200	140	96861628	96796255		
150 125 400	6	11	-	160L	All	42	42	180	96848915	96789247	96809941	95	140	96861609	96480016		
150 125 400	6	15	-	180L	All	42	48	200	96848916	96789269	96809942	110	140	96861611	96480017		
150 125 400	6	18.5	18.5	200LA	All	42	55	200	96848917	96789269	96809942	125	140	96861613	96480018		
150 125 400	6	22	22	200LB	All	42	55	200	96848917	96789269	96809942	125	140	96861613	96480018		
150 125 400	6	30	30	225M	All	42	60	224	96848918	96789269	96809942	140	140	96861615	96480019		
150 125 400	6	-	37	250M	Siemens, MMG-E	42	65	224	96848919	96789269	96809942	160	140	96861617	96480040		
150 125 400	6	-	37	250S	MMG-G, EFF1 & EFF2	42	70	250	96848920	96789274	96809943	180	140	96861620	96796254		
150 125 400	6	-	45	280S	Siemens, MMG-E	42	75	250	96848921	96789274	96809943	180	140	96861623	96796254		
150 125 400	6	-	45	250M	MMG-G, EFF1 & EFF2	42	70	250	96848920	96789274	96809943	180	140	96861620	96796254		
150 125 500	4	55	-	250M	Siemens, MMG-E	60	65	224	96848940	96789269	96809942	160	180	96861648	96480040		
150 125 500	4	55	-	250S	MMG-G, EFF1 & EFF2	60	70	250	96848941	96789274	96809943	180	180	96861650	96796254		
150 125 500	4	75	-	280S	Siemens, MMG-E	60	75	250	96848942	96789274	96809943	180	180	96861651	96796254		
150 125 500	4	75	-	250M	MMG-G, EFF1 & EFF2	60	70	250	96848941	96789274	96809943	180	180	96861650	96796254		
150 125 500	4	90	-	280M	Siemens, MMG-E	60	75	250	96848942	96789274	96809943	180	180	96861651	96796254		
150 125 500	4	90	-	280S	MMG-G, EFF1 & EFF2	60	80	250	96848943	96789274	96809943	200	180	96861653	96796255		
150 125 500	4	110	110	315S	Siemens, MMG-E	60	80	250	96848943	96789274	96809943	200	180	96861653	96796255		

Pump type	Motor data							Shaft dia.		Grundfos standard coupling				Grundfos spacer coupling			
	Pole	Power [kW]		Frame size	Make	Pump	Motor	Coupling diameter	Coupling complete	Rubber	Bolts	Coupling diameter	Spacer length	Coupling complete	Rubber		
		50 Hz	60 Hz													[mm]	[mm]
150 125 500	4	110	110	280M	MMG-G, EFF1 & EFF2	60	80	250	96848943	96789274	96809943	200	180	96861653	96796255		
150 125 500	4	132	132	315M	Siemens, MMG-E	60	80	250	96848943	96789274	96809943	200	180	96861653	96796255		
150 125 500	4	132	132	315S	MMG-G, EFF1 & EFF2	60	85	250	96848944	96789274	96809943	225	180	96861654	96796259		
150 125 500	4	160	160	315M	Siemens, MMG-E	60	80	250	96848943	96789274	96809943	200	180	96861653	96796255		
150 125 500	4	160	160	315M	MMG-G, EFF1 & EFF2	60	85	250	96848944	96789274	96809943	225	180	96861654	96796259		
150 125 500	4	-	200	315L	Siemens, MMG-E	60	80	250	96848943	96789274	96809943	200	180	96861653	96796255		
150 125 500	4	-	200	315M	MMG-G, EFF1 & EFF2	60	85	250	96848944	96789274	96809943	225	180	96861654	96796259		
150 125 500	4	-	250	315C	MMG-G, EFF1	60	95	250	96848945	96789274	96809943	225	180	96861656	96796259		
150 125 500	4	-	250	355M	MMG-G, EFF2	60	95	250	96848945	96789274	96809943	225	180	96861656	96796259		
150 125 500	4	-	250	355M	MMG-E	60	95	250	96848945	96789274	96809943	225	180	96861656	96796259		
150 125 500	4	-	288	315L	Siemens	60	85	250	96848944	96789274	96809943	225	180	96861654	96796259		
150 125 500	4	-	315	315D	MMG-G, EFF1	60	95	250	96848945	96789274	96809943	250	180	96861657	96796260		
150 125 500	4	-	315	355L	MMG-G, EFF2	60	95	250	96848945	96789274	96809943	250	180	96861657	96796260		
150 125 500	4	-	315	355L	MMG-E	60	95	250	96848945	96789274	96809943	250	180	96861657	96796260		
150 125 500	4	-	362	315L	Siemens	60	85	250	96848944	96789274	96809943	250	180	96861655	96796260		
150 125 500	6	18.5	-	200LA	All	60	55	200	96848938	96789269	96809942	140	180	96861646	96480019		
150 125 500	6	22	-	200LB	All	60	55	200	96848938	96789269	96809942	140	180	96861646	96480019		
150 125 500	6	30	-	225M	All	60	60	224	96848939	96789269	96809942	140	180	96861647	96480019		
150 125 500	6	37	37	250M	Siemens, MMG-E	60	65	224	96848940	96789269	96809942	160	180	96861648	96480040		
150 125 500	6	37	37	250S	MMG-G, EFF1 & EFF2	60	70	250	96848941	96789274	96809943	180	180	96861650	96796254		
150 125 500	6	45	45	280S	Siemens, MMG-E	60	75	250	96848942	96789274	96809943	180	180	96861651	96796254		
150 125 500	6	45	45	250M	MMG-G, EFF1 & EFF2	60	70	250	96848941	96789274	96809943	180	180	96861650	96796254		
150 125 500	6	55	55	280M	Siemens, MMG-E	60	75	250	96848942	96789274	96809943	180	180	96861651	96796254		
150 125 500	6	55	55	280S	MMG-G, EFF1 & EFF2	60	80	250	96848943	96789274	96809943	200	180	96861653	96796255		
150 125 500	6	-	75	315S	Siemens, MMG-E	60	80	250	96848943	96789274	96809943	200	180	96861653	96796255		
150 125 500	6	-	75	280M	MMG-G, EFF1 & EFF2	60	80	250	96848943	96789274	96809943	200	180	96861653	96796255		
150 125 500	6	-	90	315M	Siemens, MMG-E	60	80	250	96848943	96789274	96809943	200	180	96861653	96796255		
150 125 500	6	-	90	315S	MMG-G, EFF1 & EFF2	60	85	250	96848944	96789274	96809943	225	180	96861654	96796259		
200 150 200	2	75	-	280S	All	32	65	224	96848910	96789269	96809942	160	180	96861602	96480040		
200 150 200	2	90	-	280M	All	32	65	224	96848910	96789269	96809942	160	180	96861602	96480040		
200 150 200	2	110	110	315S	All	32	65	224	96848910	96789269	96809942	160	180	96861602	96480040		
200 150 200	2	-	132	315M	All	32	65	224	96848910	96789269	96809942	160	180	96861602	96480040		
200 150 200	2	-	160	315L	All	32	65	224	96848910	96789269	96809942	160	180	96861602	96480040		
200 150 200	2	-	200	315L	All	32	65	224	96848910	96789269	96809942	160	180	96861602	96480040		
200 150 200	4	7.5	-	132M	All	32	38	160	96848905	96789247	96809941	110	180	96861593	96480017		
200 150 200	4	11	-	160M	All	32	42	180	96848906	96789247	96809941	110	180	96861594	96480017		
200 150 200	4	15	15	160L	All	32	42	180	96848906	96789247	96809941	110	180	96861594	96480017		
200 150 200	4	-	18.5	180M	All	32	48	200	96848907	96789269	96809942	110	180	96861596	96480017		
200 150 200	4	-	22	180L	All	32	48	200	96848907	96789269	96809942	110	180	96861596	96480017		
200 150 200	6	2.2	-	112M	All	32	28	140	96848904	96789247	96809940	110	180	96861592	96480017		

Pump type	Motor data								Shaft dia.		Grundfos standard coupling				Grundfos spacer coupling			
	Pole	Power [kW]		Frame size	Make	Pump	Motor	Coupling diameter	Coupling complete	Rubber	Bolts	Coupling diameter	Spacer length	Coupling complete	Rubber			
		50 Hz	60 Hz													[mm]	[mm]	[mm]
200 150 200	6	3	-	132SA	All	32	38	160	96848905	96789247	96809941	110	180	96861593	96480017			
200 150 200	6	4	4	132MA	All	32	38	160	96848905	96789247	96809941	110	180	96861593	96480017			
200 150 200	6	-	5.5	132MB	All	32	38	160	96848905	96789247	96809941	110	180	96861593	96480017			
200 150 200	6	-	7.5	160M	All	32	42	180	96848906	96789247	96809941	110	180	96861594	96480017			
200 150 250	2	132	-	315M	All	42	65	224	96848919	96789269	96809942	200	180	96861619	96796255			
200 150 250	2	160	-	315L	All	42	65	224	96848919	96789269	96809942	200	180	96861619	96796255			
200 150 250	2	200	-	315L	All	42	65	224	96848919	96789269	96809942	200	180	96861619	96796255			
200 150 250	2	250	250	355	MMG-E	42	75	250	96848921	96789274	96809943	200	180	96861625	96796255			
200 150 250	2	250	250	315	MMG-G, EFF1	42	70	250	96848920	96789274	96809943	200	180	96861622	96796255			
200 150 250	2	250	250	355	MMG-G, EFF2	42	75	250	96848921	96789274	96809943	200	180	96861625	96796255			
200 150 250	2	250	280	315L	Siemens	42	65	224	96848919	96789269	96809942	200	180	96861619	96796255			
200 150 250	2	-	315	355	MMG-E	42	75	250	96848921	96789274	96809943	200	180	96861625	96796255			
200 150 250	2	-	315	315	MMG-G, EFF1	42	70	250	96848920	96789274	96809943	200	180	96861622	96796255			
200 150 250	2	-	315	355	MMG-G, EFF2	42	75	250	96848921	96789274	96809943	200	180	96861625	96796255			
200 150 250	2	-	353	315L	Siemens	42	65	224	96848919	96789269	96809942	200	180	96861619	96796255			
200 150 250	4	15	-	160L	All	42	42	180	96848915	96789247	96809941	110	180	96861610	96480017			
200 150 250	4	18.5	-	180M	All	42	48	200	96848916	96789269	96809942	110	180	96861612	96480017			
200 150 250	4	22	-	180L	All	42	48	200	96848916	96789269	96809942	110	180	96861612	96480017			
200 150 250	4	30	30	200L	All	42	55	200	96848917	96789269	96809942	125	180	96861614	96480018			
200 150 250	4	37	37	225S	All	42	60	224	96848918	96789269	96809942	140	180	96861616	96480019			
200 150 250	4	45	45	225M	All	42	60	224	96848918	96789269	96809942	140	180	96861616	96480019			
200 150 250	4	-	55	250M	Siemens, MMG-E	42	65	224	96848919	96789269	96809942	200	180	96861619	96796255			
200 150 250	4	-	55	250S	MMG-G, EFF1 & EFF2	42	70	250	96848920	96789274	96809943	200	180	96861622	96796255			
200 150 250	4	-	75	280S	Siemens, MMG-E	42	75	250	96848921	96789274	96809943	200	180	96861625	96796255			
200 150 250	4	-	75	250M	MMG-G, EFF1 & EFF2	42	70	250	96848920	96789274	96809943	200	180	96861622	96796255			
200 150 250	6	5.5	-	132MB	All	42	38	160	96848914	96789247	96809941	110	180	96861608	96480017			
200 150 250	6	7.5	-	160M	All	42	42	180	96848915	96789247	96809941	110	180	96861610	96480017			
200 150 250	6	11	11	160L	All	42	42	180	96848915	96789247	96809941	110	180	96861610	96480017			
200 150 250	6	-	15	180L	All	42	48	200	96848916	96789269	96809942	110	180	96861612	96480017			
200 150 250	6	-	18.5	200LA	All	42	55	200	96848917	96789269	96809942	125	180	96861614	96480018			
200 150 315	2	250	-	355	MMG-E	48	75	250	96848932	96789274	96809943	180	180	96861638	96796254			
200 150 315	2	250	-	315	MMG-G, EFF1	48	70	250	96848931	96789274	96809943	180	180	96861636	96796254			
200 150 315	2	250	-	355	MMG-G, EFF2	48	75	250	96848932	96789274	96809943	180	180	96861638	96796254			
200 150 315	2	250	-	315L	Siemens	48	65	224	96848930	96789269	96809942	200	180	96861635	96796255			
200 150 315	2	315	-	355	MMG-E	48	75	250	96848932	96789274	96809943	200	180	96861639	96796255			
200 150 315	2	315	-	315	MMG-G, EFF1	48	70	250	96848931	96789274	96809943	200	180	96861637	96796255			
200 150 315	2	315	-	355	MMG-G, EFF2	48	75	250	96848932	96789274	96809943	200	180	96861639	96796255			
200 150 315	2	315	-	315L	Siemens	48	65	224	96848930	96789269	96809942	200	180	96861635	96796255			
200 150 315	2	355	-	355	MMG-G, EFF1	48	70	250	96848931	96789274	96809943	200	180	96861637	96796255			
200 150 315	2	355	-	355	Siemens	48	75	250	96848932	96789274	96809943	200	180	96861639	96796255			
200 150 315.1	2	355	398	355L	Siemens	48	65	224	96848930	96789269	96809942	200	180	96861635	96796255			
200 150 315.1	2	355	0	355L	MMG-E	48	75	250	96848932	96789274	96809943	180	180	96861638	96796254			
200 150 315.1	2	355	0	355	MMG-G EFF1 & EFF2	48	70	250	96848931	96789274	96809943	180	180	96861636	96796254			
200 150 315.1	2	315	353	315	Siemens	48	65	224	96848930	96789269	96809942	200	180	96861635	96796255			
200 150 315.1	2	315	-	355	MMG-E	48	75	250	96848932	96789274	96809943	200	180	96861639	96796255			
200 150 315.1	2	315	-	315	MMG-G, EFF1	48	70	250	96848931	96789274	96809943	200	180	96861637	96796255			
200 150 315.1	2	315	-	355	MMG-G, EFF2	48	75	250	96848932	96789274	96809943	200	180	96861639	96796255			
200 150 315.1	2	250	-	315	MMG-E	48	75	250	96848932	96789274	96809943	180	180	96861638	96796254			

Pump type	Motor data							Shaft dia.		Grundfos standard coupling				Grundfos spacer coupling			
	Pole	Power [kW]		Frame size	Make	Pump	Motor	Coupling diameter	Coupling complete	Rubber	Bolts	Coupling diameter	Spacer length	Coupling complete	Rubber		
		50 Hz	60 Hz													[mm]	[mm]
200 150 315.1	2	250	-	315	MMG-G, EFF1	48	70	250	96848931	96789274	96809943	180	180	96861636	96796254		
200 150 315.1	2	250	-	315	MMG-G, EFF2	48	75	250	96848932	96789274	96809943	180	180	96861638	96796254		
200 150 315.1	2	250	-	315	Siemens	48	65	224	96848930	96789269	96809942	200	180	96861635	96796255		
200 150 315.1	2	200	-	315L	All	48	65	224	96848930	96789269	96809942	200	180	96861635	96796255		
200 150 315.1	2	160	-	315L	All	48	65	224	96848930	96789269	96809942	200	180	96861635	96796255		
200 150 315	4	37	-	225S	All	48	60	224	96848929	96789269	96809942	140	180	96861633	96480019		
200 150 315	4	45	-	225M	All	48	60	224	96848929	96789269	96809942	140	180	96861633	96480019		
200 150 315	4	55	55	250M	Siemens, MMG-E	48	65	224	96848930	96789269	96809942	160	180	96861634	96480040		
200 150 315	4	55	55	250S	MMG-G, EFF1 & EFF2	48	70	250	96848931	96789274	96809943	180	180	96861636	96796254		
200 150 315	4	75	75	280S	Siemens, MMG-E	48	75	250	96848932	96789274	96809943	180	180	96861638	96796254		
200 150 315	4	75	75	250M	MMG-G, EFF1 & EFF2	48	70	250	96848931	96789274	96809943	180	180	96861636	96796254		
200 150 315	4	90	90	280M	Siemens, MMG-E	48	75	250	96848932	96789274	96809943	180	180	96861638	96796254		
200 150 315	4	90	90	280S	MMG-G, EFF1 & EFF2	48	80	250	96848933	96789274	96809943	200	180	96861640	96796255		
200 150 315	4	-	110	315S	Siemens, MMG-E	48	80	250	96848933	96789274	96809943	200	180	96861640	96796255		
200 150 315	4	-	110	280M	MMG-G, EFF1 & EFF2	48	80	250	96848933	96789274	96809943	200	180	96861640	96796255		
200 150 315	4	-	132	315M	Siemens, MMG-E	48	80	250	96848933	96789274	96809943	200	180	96861640	96796255		
200 150 315	4	-	132	315S	MMG-G, EFF1 & EFF2	48	85	250	96848934	96789274	96809943	225	180	96861641	96796259		
200 150 315	6	11	-	160L	All	48	42	180	96848926	96789247	96809941	110	180	96861630	96480017		
200 150 315	6	15	-	180L	All	48	48	200	96848927	96789269	96809942	110	180	96861631	96480017		
200 150 315	6	18.5	18.5	200LA	All	48	55	200	96848928	96789269	96809942	125	180	96861632	96480018		
200 150 315	6	22	22	200LB	All	48	55	200	96848928	96789269	96809942	125	180	96861632	96480018		
200 150 315	6	30	30	225M	All	48	60	224	96848929	96789269	96809942	140	180	96861633	96480019		
200 150 315	6	-	37	250M	Siemens, MMG-E	48	65	224	96848930	96789269	96809942	160	180	96861634	96480040		
200 150 315	6	-	37	250S	MMG-G, EFF1 & EFF2	48	70	250	96848931	96789274	96809943	180	180	96861636	96796254		
200 150 400	4	55	-	250M	Siemens, MMG-E	48	65	224	96848930	96789269	96809942	160	180	96861634	96480040		
200 150 400	4	55	-	250S	MMG-G, EFF1 & EFF2	48	70	250	96848931	96789274	96809943	180	180	96861636	96796254		
200 150 400	4	75	-	280S	Siemens, MMG-E	48	75	250	96848932	96789274	96809943	180	180	96861638	96796254		
200 150 400	4	75	-	250M	MMG-G, EFF1 & EFF2	48	70	250	96848931	96789274	96809943	180	180	96861636	96796254		
200 150 400	4	90	90	280M	Siemens, MMG-E	48	75	250	96848932	96789274	96809943	180	180	96861638	96796254		
200 150 400	4	90	90	280S	MMG-G, EFF1 & EFF2	48	80	250	96848933	96789274	96809943	200	180	96861640	96796255		
200 150 400	4	110	110	315S	Siemens, MMG-E	48	80	250	96848933	96789274	96809943	200	180	96861640	96796255		
200 150 400	4	110	110	280M	MMG-G, EFF1 & EFF2	48	80	250	96848933	96789274	96809943	200	180	96861640	96796255		
200 150 400	4	132	132	315M	Siemens, MMG-E	48	80	250	96848933	96789274	96809943	200	180	96861640	96796255		
200 150 400	4	132	132	315S	MMG-G, EFF1 & EFF2	48	85	250	96848934	96789274	96809943	225	180	96861641	96796259		
200 150 400	4	160	160	315M	Siemens, MMG-E	48	80	250	96848933	96789274	96809943	200	180	96861640	96796255		

Pump type	Motor data							Shaft dia.		Grundfos standard coupling				Grundfos spacer coupling			
	Pole	Power [kW]		Frame size	Make	Pump	Motor	Coupling diameter	Coupling complete	Rubber	Bolts	Coupling diameter	Spacer length	Coupling complete	Rubber		
		50 Hz	60 Hz													[mm]	[mm]
200 150 400	4	160	160	315M	MMG-G, EFF1 & EFF2	48	85	250	96848934	96789274	96809943	225	180	96861641	96796259		
200 150 400	4	-	200	315L	Siemens, MMG-E	48	80	250	96848933	96789274	96809943	200	180	96861640	96796255		
200 150 400	4	-	200	315M	MMG-G, EFF1 & EFF2	48	85	250	96848934	96789274	96809943	225	180	96861641	96796259		
200 150 400	4	-	250	315C	MMG-G, EFF1	48	95	250	96848935	96789274	96809943	250	180	96861643	96796260		
200 150 400	4	-	250	355M	MMG-G, EFF2	48	95	250	96848935	96789274	96809943	250	180	96861643	96796260		
200 150 400	4	-	250	355M	MMG-E	48	95	250	96848935	96789274	96809943	250	180	96861643	96796260		
200 150 400	4	-	288	315L	Siemens	48	85	250	96848934	96789274	96809943	250	180	96861642	96796260		
200 150 400	6	18.5	-	200LA	All	48	55	200	96848928	96789269	96809942	125	180	96861632	96480018		
200 150 400	6	22	22	200LB	All	48	55	200	96848928	96789269	96809942	125	180	96861632	96480018		
200 150 400	6	30	30	225M	All	48	60	224	96848929	96789269	96809942	140	180	96861633	96480019		
200 150 400	6	37	37	250M	Siemens, MMG-E	48	65	224	96848930	96789269	96809942	160	180	96861634	96480040		
200 150 400	6	37	37	250S	MMG-G, EFF1 & EFF2	48	70	250	96848931	96789274	96809943	180	180	96861636	96796254		
200 150 400	6	45	45	280S	Siemens, MMG-E	48	75	250	96848932	96789274	96809943	180	180	96861638	96796254		
200 150 400	6	45	45	250M	MMG-G, EFF1 & EFF2	48	70	250	96848931	96789274	96809943	180	180	96861636	96796254		
200 150 400	6	-	55	280M	Siemens, MMG-E	48	75	250	96848932	96789274	96809943	180	180	96861638	96796254		
200 150 400	6	-	55	280S	MMG-G, EFF1 & EFF2	48	80	250	96848933	96789274	96809943	200	180	96861640	96796255		
200 150 400	6	-	75	315S	Siemens, MMG-E	48	80	250	96848933	96789274	96809943	200	180	96861640	96796255		
200 150 400	6	-	75	280M	MMG-G, EFF1 & EFF2	48	80	250	96848933	96789274	96809943	200	180	96861640	96796255		
200 150 500	4	132	-	315M	Siemens, MMG-E	60	80	250	96848943	96789274	96809943	200	180	96861653	96796255		
200 150 500	4	132	-	315S	MMG-G, EFF1 & EFF2	60	85	250	96848944	96789274	96809943	225	180	96861654	96796259		
200 150 500	4	160	-	315M	Siemens, MMG-E	60	80	250	96848943	96789274	96809943	200	180	96861653	96796255		
200 150 500	4	160	-	315M	MMG-G, EFF1 & EFF2	60	85	250	96848944	96789274	96809943	225	180	96861654	96796259		
200 150 500	4	200	200	315L	Siemens, MMG-E	60	80	250	96848943	96789274	96809943	200	180	96861653	96796255		
200 150 500	4	200	200	315M	MMG-G, EFF1 & EFF2	60	85	250	96848944	96789274	96809943	225	180	96861654	96796259		
200 150 500	4	250	250	315C	MMG-G, EFF1	60	95	250	96848945	96789274	96809943	225	180	96861656	96796259		
200 150 500	4	250	250	355M	MMG-G, EFF2	60	95	250	96848945	96789274	96809943	225	180	96861656	96796259		
200 150 500	4	250	250	355M	MMG-E	60	95	250	96848945	96789274	96809943	225	180	96861656	96796259		
200 150 500	4	250	288	315L	Siemens	60	85	250	96848944	96789274	96809943	225	180	96861654	96796259		
200 150 500	4	-	315	315D	MMG-G, EFF1	60	95	250	96848945	96789274	96809943	250	180	96861657	96796260		
200 150 500	4	-	315	355L	MMG-G, EFF2	60	95	250	96848945	96789274	96809943	250	180	96861657	96796260		
200 150 500	4	-	315	355L	MMG-E	60	95	250	96848945	96789274	96809943	250	180	96861657	96796260		
200 150 500	4	-	362	315L	Siemens	60	85	250	96848944	96789274	96809943	250	180	96861655	96796260		
200 150 500	6	37	-	250M	Siemens, MMG-E	60	65	224	96848940	96789269	96809942	160	180	96861648	96480040		
200 150 500	6	37	-	250S	MMG-G, EFF1 & EFF2	60	70	250	96848941	96789274	96809943	180	180	96861650	96796254		
200 150 500	6	45	-	280S	Siemens, MMG-E	60	75	250	96848942	96789274	96809943	180	180	96861651	96796254		
200 150 500	6	45	-	250M	MMG-G, EFF1 & EFF2	60	70	250	96848941	96789274	96809943	180	180	96861650	96796254		

Pump type	Motor data							Shaft dia.		Grundfos standard coupling				Grundfos spacer coupling			
	Pole	Power [kW]		Frame size	Make	Pump	Motor	Coupling diameter	Coupling complete	Rubber	Bolts	Coupling diameter	Spacer length	Coupling complete	Rubber		
		50 Hz	60 Hz													[mm]	[mm]
200 150 500	6	55	55	280M	Siemens, MMG-E	60	75	250	96848942	96789274	96809943	180	180	96861651	96796254		
200 150 500	6	55	55	280S	MMG-G, EFF1 & EFF2	60	80	250	96848943	96789274	96809943	200	180	96861653	96796255		
200 150 500	6	75	75	315S	Siemens, MMG-E	60	80	250	96848943	96789274	96809943	200	180	96861653	96796255		
200 150 500	6	75	75	280M	MMG-G, EFF1 & EFF2	60	80	250	96848943	96789274	96809943	200	180	96861653	96796255		
200 150 500	6	-	90	315M	Siemens, MMG-E	60	80	250	96848943	96789274	96809943	200	180	96861653	96796255		
200 150 500	6	-	90	315S	MMG-G, EFF1 & EFF2	60	85	250	96848944	96789274	96809943	225	180	96861654	96796259		
200 150 500	6	-	110	315M	Siemens	60	80	250	96848943	96789274	96809943	200	180	96861653	96796255		
200 150 500	6	-	110	315L	MMG-E	60	80	250	96848943	96789274	96809943	200	180	96861653	96796255		
200 150 500	6	-	110	315M	MMG-G, EFF1 & EFF2	60	85	250	96848944	96789274	96809943	225	180	96861654	96796259		
200 150 500	6	-	132	315L	Siemens, MMG-E	60	80	250	96848943	96789274	96809943	200	180	96861653	96796255		
200 150 500	6	-	132	315M	MMG-G, EFF1 & EFF2	60	85	250	96848944	96789274	96809943	225	180	96861654	96796259		
250 200 400	4	37	-	225S	All	48	60	224	96848929	96789269	96809942	140	180	96861633	96480019		
250 200 400	4	45	-	225M	All	48	60	224	96848929	96789269	96809942	140	180	96861633	96480019		
250 200 400	4	55	55	250M	Siemens, MMG-E	48	65	224	96848930	96789269	96809942	160	180	96861634	96480040		
250 200 400	4	55	55	250SC	MMG-G, EFF1 & EFF2	48	70	250	96848931	96789274	96809943	180	180	96861636	96796254		
250 200 400	4	75	75	280S	Siemens, MMG-E	48	75	250	96848932	96789274	96809943	180	180	96861638	96796254		
250 200 400	4	75	75	250MC	MMG-G, EFF1 & EFF2	48	70	250	96848931	96789274	96809943	180	180	96861636	96796254		
250 200 400	4	90	90	280M	Siemens, MMG-E	48	75	250	96848932	96789274	96809943	180	180	96861638	96796254		
250 200 400	4	90	90	280S	MMG-G, EFF1 & EFF2	48	80	250	96848933	96789274	96809943	200	180	96861640	96796255		
250 200 400	4	110	110	315S	Siemens, MMG-E	48	80	250	96848933	96789274	96809943	200	180	96861640	96796255		
250 200 400	4	110	110	280M	MMG-G, EFF1 & EFF2	48	80	250	96848933	96789274	96809943	200	180	96861640	96796255		
250 200 400	4	132	132	315M	Siemens, MMG-E	48	80	250	96848933	96789274	96809943	200	180	96861640	96796255		
250 200 400	4	132	132	315S	MMG-G, EFF1 & EFF2	48	85	250	96848934	96789274	96809943	225	180	96861641	96796259		
250 200 400	4	-	160	315M	Siemens, MMG-E	48	80	250	96848933	96789274	96809943	200	180	96861640	96796255		
250 200 400	4	-	160	315M	MMG-G, EFF1 & EFF2	48	85	250	96848934	96789274	96809943	225	180	96861641	96796259		
250 200 400	4	-	200	315L	Siemens, MMG-E	48	80	250	96848933	96789274	96809943	200	180	96861640	96796255		
250 200 400	4	-	200	315M	MMG-G, EFF1 & EFF2	48	85	250	96848934	96789274	96809943	225	180	96861641	96796259		
250 200 400	6	15	-	180L	All	48	48	200	96848927	96789269	96809942	110	180	96861631	96480017		
250 200 400	6	18.5	-	200L	All	48	55	200	96848928	96789269	96809942	125	180	96861632	96480018		
250 200 400	6	22	22	200L	All	48	55	200	96848928	96789269	96809942	125	180	96861632	96480018		
250 200 400	6	30	30	225M	All	48	60	224	96848929	96789269	96809942	140	180	96861633	96480019		
250 200 400	6	37	37	250M	Siemens, MMG-E	48	65	224	96848930	96789269	96809942	160	180	96861634	96480040		
250 200 400	6	37	37	250S	MMG-G, EFF1 & EFF2	48	70	250	96848931	96789274	96809943	180	180	96861636	96796254		
250 200 400	6	-	45	280S	Siemens, MMG-E	48	75	250	96848932	96789274	96809943	180	180	96861638	96796254		

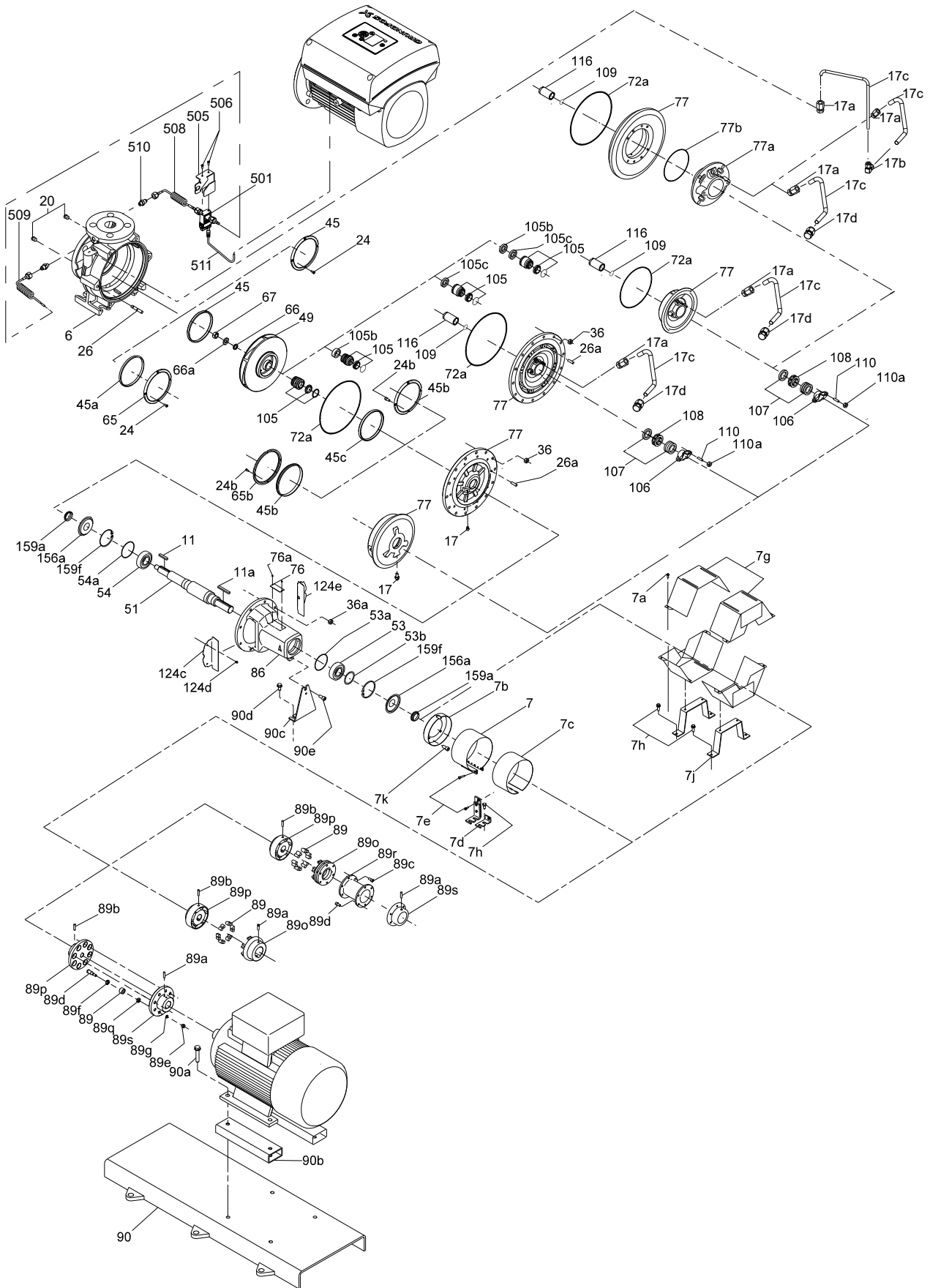
Pump type	Motor data							Shaft dia.		Grundfos standard coupling				Grundfos spacer coupling			
	Pole	Power [kW]		Frame size	Make	Pump	Motor	Coupling diameter	Coupling complete	Rubber	Bolts	Coupling diameter	Spacer length	Coupling complete	Rubber		
		50 Hz	60 Hz													[mm]	[mm]
250 200 400	6	-	45	250M	MMG-G, EFF1 & EFF2	48	70	250	96848931	96789274	96809943	180	180	96861636	96796254		
250 200 400	6	-	55	280M	Siemens, MMG-E	48	75	250	96848932	96789274	96809943	180	180	96861638	96796254		
250 200 400	6	-	55	280S	MMG-G, EFF1 & EFF2	48	80	250	96848933	96789274	96809943	200	180	96861640	96796255		
250 200 450	4	75	75	280S	Siemens, MMG-E	48	75	250	96848932	96789274	96809943	180	180	96861638	96796254		
250 200 450	4	75	75	250MC	MMG-G, EFF1 & EFF2	48	70	250	96848931	96789274	96809943	180	180	96861636	96796254		
250 200 450	4	90	90	280M	Siemens, MMG-E	48	75	250	96848932	96789274	96809943	180	180	96861638	96796254		
250 200 450	4	90	90	280S	MMG-G, EFF1 & EFF2	48	80	250	96848933	96789274	96809943	200	180	96861640	96796255		
250 200 450	4	110	110	315S	Siemens, MMG-E	48	80	250	96848933	96789274	96809943	200	180	96861640	96796255		
250 200 450	4	110	110	280M	MMG-G, EFF1 & EFF2	48	80	250	96848933	96789274	96809943	200	180	96861640	96796255		
250 200 450	4	132	132	315M	Siemens, MMG-E	48	80	250	96848933	96789274	96809943	200	180	96861640	96796255		
250 200 450	4	132	132	315S	MMG-G, EFF1 & EFF2	48	85	250	96848934	96789274	96809943	225	180	96861641	96796259		
250 200 450	4	160	160	315M	Siemens, MMG-E	48	80	250	96848933	96789274	96809943	200	180	96861640	96796255		
250 200 450	4	160	160	315M	MMG-G, EFF1 & EFF2	48	85	250	96848934	96789274	96809943	225	180	96861641	96796259		
250 200 450	4	-	200	315L	Siemens, MMG-E	48	80	250	96848933	96789274	96809943	200	180	96861640	96796255		
250 200 450	4	-	200	315M	MMG-G, EFF1 & EFF2	48	85	250	96848934	96789274	96809943	225	180	96861641	96796259		
250 200 450	4	-	288	315L	Siemens	48	85	250	96848934	96789274	96809943	225	180	96861641	96796259		
250 200 450	4	-	250	355M	MMG-E	48	95	250	96848935	96789274	96809943	250	180	96861643	96796260		
250 200 450	4	-	250	315C	MMG-G, EFF1	48	95	250	96848935	96789274	96809943	250	180	96861643	96796260		
250 200 450	4	-	250	355M	MMG-G, EFF2	48	95	250	96848935	96789274	96809943	250	180	96861643	96796260		
250 200 450	6	18.5	-	200L	All	48	55	200	96848928	96789269	96809942	125	180	96861632	96480018		
250 200 450	6	22	-	200L	All	48	55	200	96848928	96789269	96809942	125	180	96861632	96480018		
250 200 450	6	30	-	225M	All	48	60	224	96848929	96789269	96809942	140	180	96861633	96480019		
250 200 450	6	37	37	250M	Siemens, MMG-E	48	65	224	96848930	96789269	96809942	160	180	96861634	96480040		
250 200 450	6	37	37	250S	MMG-G, EFF1 & EFF2	48	70	250	96848931	96789274	96809943	180	180	96861636	96796254		
250 200 450	6	45	45	280S	Siemens, MMG-E	48	75	250	96848932	96789274	96809943	180	180	96861638	96796254		
250 200 450	6	45	45	250M	MMG-G, EFF1 & EFF2	48	70	250	96848931	96789274	96809943	180	180	96861636	96796254		
250 200 450	6	-	55	280M	Siemens, MMG-E	48	75	250	96848932	96789274	96809943	180	180	96861638	96796254		
250 200 450	6	-	55	280S	MMG-G, EFF1 & EFF2	48	80	250	96848933	96789274	96809943	200	180	96861640	96796255		
250 200 450	6	-	75	315S	Siemens, MMG-E	48	80	250	96848933	96789274	96809943	200	180	96861640	96796255		
250 200 450	6	-	75	280M	MMG-G, EFF1 & EFF2	48	80	250	96848933	96789274	96809943	200	180	96861640	96796255		
250 200 450	6	-	90	315M	Siemens, MMG-E	48	80	250	96848933	96789274	96809943	200	180	96861640	96796255		
250 200 450	6	-	90	315S	MMG-G, EFF1 & EFF2	48	85	250	96848934	96789274	96809943	225	180	96861641	96796259		
300 250 350	4	37	-	225S	All	48	60	224	96848929	96789269	96809942	140	180	96861633	96480019		
300 250 350	4	45	-	225M	All	48	60	224	96848929	96789269	96809942	140	180	96861633	96480019		

Pump type	Motor data							Shaft dia.		Grundfos standard coupling				Grundfos spacer coupling			
	Pole	Power [kW]		Frame size	Make	Pump	Motor	Coupling diameter	Coupling complete	Rubber	Bolts	Coupling diameter	Spacer length	Coupling complete	Rubber		
		50 Hz	60 Hz													[mm]	[mm]
300 250 350	4	55	-	250M	Siemens, MMG-E	48	65	224	96848930	96789269	96809942	160	180	96861634	96480040		
300 250 350	4	55	-	250SC	MMG-G, EFF1 & EFF2	48	70	250	96848931	96789274	96809943	180	180	96861636	96796254		
300 250 350	4	75	75	280S	Siemens, MMG-E	48	75	250	96848932	96789274	96809943	180	180	96861638	96796254		
300 250 350	4	75	75	250MC	MMG-G, EFF1 & EFF2	48	70	250	96848931	96789274	96809943	180	180	96861636	96796254		
300 250 350	4	90	90	280M	Siemens, MMG-E	48	75	250	96848932	96789274	96809943	180	180	96861638	96796254		
300 250 350	4	90	90	280S	MMG-G, EFF1 & EFF2	48	80	250	96848933	96789274	96809943	200	180	96861640	96796255		
300 250 350	4	-	110	315S	Siemens, MMG-E	48	80	250	96848933	96789274	96809943	200	180	96861640	96796255		
300 250 350	4	-	110	280M	MMG-G, EFF1 & EFF2	48	80	250	96848933	96789274	96809943	200	180	96861640	96796255		
300 250 350	4	-	132	315M	Siemens, MMG-E	48	80	250	96848933	96789274	96809943	200	180	96861640	96796255		
300 250 350	4	-	132	315S	MMG-G, EFF1 & EFF2	48	85	250	96848934	96789274	96809943	225	180	96861641	96796259		
300 250 350	6	11	-	160L	All	48	42	0	0	0	0	0	180	0	0		
300 250 350	6	15	-	180L	All	48	48	200	96848927	96789269	96809942	110	180	96861631	96480017		
300 250 350	6	18.5	-	200L	All	48	55	200	96848928	96789269	96809942	125	180	96861632	96480018		
300 250 350	6	22	22	200L	All	48	55	200	96848928	96789269	96809942	125	180	96861632	96480018		
300 250 350	6	-	30	225M	All	48	60	224	96848929	96789269	96809942	140	180	96861633	96480019		
300 250 350	6	-	37	250M	Siemens, MMG-E	48	65	224	96848930	96789269	96809942	160	180	96861634	96480040		
300 250 350	6	-	37	250S	MMG-G, EFF1 & EFF2	48	70	250	96848931	96789274	96809943	180	180	96861636	96796254		
300 250 350	6	-	45	280S	Siemens, MMG-E	48	75	250	96848932	96789274	96809943	180	180	96861638	96796254		
300 250 350	6	-	45	250M	MMG-G, EFF1 & EFF2	48	70	250	96848931	96789274	96809943	180	180	96861636	96796254		
300 250 400	4	45	-	225M	All	48	60	224	96848929	96789269	96809942	140	180	96861633	96480019		
300 250 400	4	55	-	250M	Siemens, MMG-E	48	65	224	96848930	96789269	96809942	160	180	96861634	96480040		
300 250 400	4	55	-	250SC	MMG-G, EFF1 & EFF2	48	70	250	96848931	96789274	96809943	180	180	96861636	96796254		
300 250 400	4	75	75	280S	Siemens, MMG-E	48	75	250	96848932	96789274	96809943	180	180	96861638	96796254		
300 250 400	4	75	75	250MC	MMG-G, EFF1 & EFF2	48	70	250	96848931	96789274	96809943	180	180	96861636	96796254		
300 250 400	4	90	90	280M	Siemens, MMG-E	48	75	250	96848932	96789274	96809943	180	180	96861638	96796254		
300 250 400	4	90	90	280S	MMG-G, EFF1 & EFF2	48	80	250	96848933	96789274	96809943	200	180	96861640	96796255		
300 250 400	4	110	110	315S	Siemens, MMG-E	48	80	250	96848933	96789274	96809943	200	180	96861640	96796255		
300 250 400	4	110	110	280M	MMG-G, EFF1 & EFF2	48	80	250	96848933	96789274	96809943	200	180	96861640	96796255		
300 250 400	4	132	132	315M	Siemens, MMG-E	48	80	250	96848933	96789274	96809943	200	180	96861640	96796255		
300 250 400	4	132	132	315S	MMG-G, EFF1 & EFF2	48	85	250	96848934	96789274	96809943	225	180	96861641	96796259		
300 250 400	4	160	160	315M	Siemens, MMG-E	48	80	250	96848933	96789274	96809943	200	180	96861640	96796255		
300 250 400	4	160	160	315M	MMG-G, EFF1 & EFF2	48	85	250	96848934	96789274	96809943	225	180	96861641	96796259		
300 250 400	4	-	200	315L	Siemens, MMG-E	48	80	250	96848933	96789274	96809943	200	180	96861640	96796255		

Pump type	Motor data							Shaft dia.		Grundfos standard coupling				Grundfos spacer coupling			
	Pole	Power [kW]		Frame size	Make	Pump	Motor	Coupling diameter	Coupling complete	Rubber	Bolts	Coupling diameter	Spacer length	Coupling complete	Rubber		
		50 Hz	60 Hz													[mm]	[mm]
300 250 400	4	-	200	315M	MMG-G, EFF1 & EFF2	48	85	250	96848934	96789274	96809943	225	180	96861641	96796259		
300 250 400	4	-	288	315L	Siemens	48	85	250	96848934	96789274	96809943	225	180	96861641	96796259		
300 250 400	4	-	250	355M	MMG-E	48	95	250	96848935	96789274	96809943	250	180	96861643	96796260		
300 250 400	4	-	250	315C	MMG-G, EFF1	48	95	250	96848935	96789274	96809943	250	180	96861643	96796260		
300 250 400	4	-	250	355M	MMG-G, EFF2	48	95	250	96848935	96789274	96809943	250	180	96861643	96796260		
300 250 400	6	15	-	180L	All	48	48	200	96848927	96789269	96809942	110	180	96861631	96480017		
300 250 400	6	18.5	-	200L	All	48	55	200	96848928	96789269	96809942	125	180	96861632	96480018		
300 250 400	6	22	-	200L	All	48	55	200	96848928	96789269	96809942	125	180	96861632	96480018		
300 250 400	6	30	-	225M	All	48	60	224	96848929	96789269	96809942	140	180	96861633	96480019		
300 250 400	6	37	37	250M	Siemens, MMG-E	48	65	224	96848930	96789269	96809942	160	180	96861634	96480040		
300 250 400	6	37	37	250S	MMG-G, EFF1 & EFF2	48	70	250	96848931	96789274	96809943	180	180	96861636	96796254		
300 250 400	6	45	45	280S	Siemens, MMG-E	48	75	250	96848932	96789274	96809943	180	180	96861638	96796254		
300 250 400	6	45	45	250M	MMG-G, EFF1 & EFF2	48	70	250	96848931	96789274	96809943	180	180	96861636	96796254		
300 250 400	6	-	55	280M	Siemens, MMG-E	48	75	250	96848932	96789274	96809943	180	180	96861638	96796254		
300 250 400	6	-	55	280S	MMG-G, EFF1 & EFF2	48	80	250	96848933	96789274	96809943	200	180	96861640	96796255		
300 250 400	6	-	75	315S	Siemens, MMG-E	48	80	250	96848933	96789274	96809943	200	180	96861640	96796255		
300 250 400	6	-	75	280M	MMG-G, EFF1 & EFF2	48	80	250	96848933	96789274	96809943	200	180	96861640	96796255		
300 250 400	6	-	90	315M	Siemens, MMG-E	48	80	250	96848933	96789274	96809943	200	180	96861640	96796255		
300 250 400	6	-	90	315S	MMG-G, EFF1 & EFF2	48	85	250	96848934	96789274	96809943	225	180	96861641	96796259		
300 250 450	4	75	-	280S	Siemens, MMG-E	60	75	250	96848942	96789274	96809943	180	180	96861651	96796254		
300 250 450	4	75	-	250M	MMG-G, EFF1 & EFF2	60	70	250	96848941	96789274	96809943	180	180	96861650	96796254		
300 250 450	4	90	-	280M	Siemens, MMG-E	60	75	250	96848942	96789274	96809943	180	180	96861651	96796254		
300 250 450	4	90	-	280S	MMG-G, EFF1 & EFF2	60	80	250	96848943	96789274	96809943	200	180	96861653	96796255		
300 250 450	4	110	110	315S	Siemens, MMG-E	60	80	250	96848943	96789274	96809943	200	180	96861653	96796255		
300 250 450	4	110	110	280M	MMG-G, EFF1 & EFF2	60	80	250	96848943	96789274	96809943	200	180	96861653	96796255		
300 250 450	4	132	132	315M	Siemens, MMG-E	60	80	250	96848943	96789274	96809943	200	180	96861653	96796255		
300 250 450	4	132	132	315S	MMG-G, EFF1 & EFF2	60	85	250	96848944	96789274	96809943	225	180	96861654	96796259		
300 250 450	4	160	160	315M	Siemens, MMG-E	60	80	250	96848943	96789274	96809943	200	180	96861653	96796255		
300 250 450	4	160	160	315M	MMG-G, EFF1 & EFF2	60	85	250	96848944	96789274	96809943	225	180	96861654	96796259		
300 250 450	4	200	200	315L	Siemens, MMG-E	60	80	250	96848943	96789274	96809943	200	180	96861653	96796255		
300 250 450	4	200	200	315M	MMG-G, EFF1 & EFF2	60	85	250	96848944	96789274	96809943	225	180	96861654	96796259		
300 250 450	4	-	288	315L	Siemens	60	85	250	96848944	96789274	96809943	225	180	96861654	96796259		
300 250 450	4	-	250	355M	MMG-E	60	95	250	96848945	96789274	96809943	250	180	96861657	96796260		
300 250 450	4	-	250	315C	MMG-G, EFF1	60	95	250	96848945	96789274	96809943	250	180	96861657	96796260		
300 250 450	4	-	250	355M	MMG-G, EFF2	60	95	250	96848945	96789274	96809943	250	180	96861657	96796260		
300 250 450	4	-	362	315L	Siemens	60	85	250	96848944	96789274	96809943	225	180	96861654	96796259		

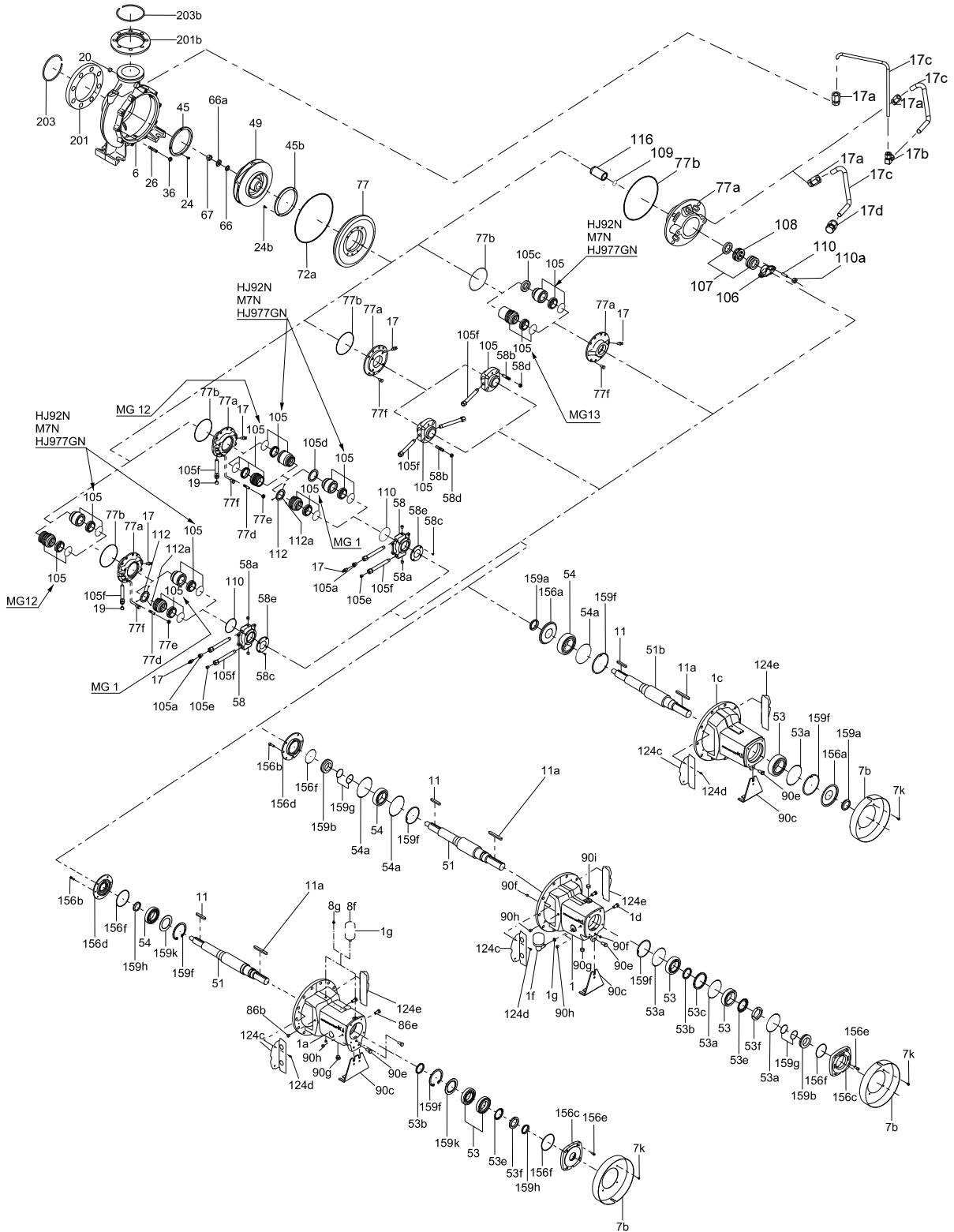
Pump type	Motor data								Shaft dia.		Grundfos standard coupling				Grundfos spacer coupling			
	Pole	Power [kW]		Frame size	Make	Pump	Motor	Coupling diameter	Coupling complete	Rubber	Bolts	Coupling diameter	Spacer length	Coupling complete	Rubber			
		50 Hz	60 Hz													[mm]	[mm]	[mm]
300 250 450	4	-	315	355L	MMG-E	60	95	250	96848945	96789274	96809943	250	180	96861657	96796260			
300 250 450	4	-	315	315D	MMG-G, EFF1	60	95	250	96848945	96789274	96809943	250	180	96861657	96796260			
300 250 450	4	-	315	355L	MMG-G, EFF2	60	95	250	96848945	96789274	96809943	250	180	96861657	96796260			
300 250 450	6	18.5	-	200L	All	60	55	200	96848938	96789269	96809942	140	180	96861646	96480019			
300 250 450	6	22	-	200L	All	60	55	200	96848938	96789269	96809942	140	180	96861646	96480019			
300 250 450	6	30	-	225M	All	60	60	224	96848939	96789269	96809942	140	180	96861647	96480019			
300 250 450	6	37	37	250M	Siemens, MMG-E	60	65	224	96848940	96789269	96809942	160	180	96861648	96480040			
300 250 450	6	37	37	250S	MMG-G, EFF1 & EFF2	60	70	250	96848941	96789274	96809943	180	180	96861650	96796254			
300 250 450	6	45	45	280S	Siemens, MMG-E	60	75	250	96848942	96789274	96809943	180	180	96861651	96796254			
300 250 450	6	45	45	250M	MMG-G, EFF1 & EFF2	60	70	250	96848941	96789274	96809943	180	180	96861650	96796254			
300 250 450	6	55	55	280M	Siemens, MMG-E	60	75	250	96848942	96789274	96809943	180	180	96861651	96796254			
300 250 450	6	55	55	280S	MMG-G, EFF1 & EFF2	60	80	250	96848943	96789274	96809943	200	180	96861653	96796255			
300 250 450	6	-	75	315S	Siemens, MMG-E	60	80	250	96848943	96789274	96809943	200	180	96861653	96796255			
300 250 450	6	-	75	280M	MMG-G, EFF1 & EFF2	60	80	250	96848943	96789274	96809943	200	180	96861653	96796255			
300 250 450	6	-	90	315M	Siemens, MMG-E	60	80	250	96848943	96789274	96809943	200	180	96861653	96796255			
300 250 450	6	-	90	315S	MMG-G, EFF1 & EFF2	60	85	250	96848944	96789274	96809943	225	180	96861654	96796259			
300 250 450	6	-	110	315M	Siemens	60	80	250	96848943	96789274	96809943	200	180	96861653	96796255			
300 250 450	6	-	110	315L	MMG-E	60	80	250	96848943	96789274	96809943	200	180	96861653	96796255			
300 250 450	6	-	110	315M	MMG-G, EFF1 & EFF2	60	85	250	96848944	96789274	96809943	225	180	96861654	96796259			
300 250 500	4	160	-	315M	Siemens, MMG-E	60	80	250	96848943	96789274	96809943	200	180	96861653	96796255			
300 250 500	4	160	-	315M	MMG-G, EFF1 & EFF2	60	85	250	96848944	96789274	96809943	225	180	96861654	96796259			
300 250 500	4	200	-	315L	Siemens, MMG-E	60	80	250	96848943	96789274	96809943	200	180	96861653	96796255			
300 250 500	4	200	-	315M	MMG-G, EFF1 & EFF2	60	85	250	96848944	96789274	96809943	225	180	96861654	96796259			
300 250 500	4	250	-	315L	Siemens	60	85	250	96848944	96789274	96809943	225	180	96861654	96796259			
300 250 500	4	250	-	355M	MMG-E	60	95	250	96848945	96789274	96809943	250	180	96861657	96796260			
300 250 500	4	250	-	315C	MMG-G, EFF1	60	95	250	96848945	96789274	96809943	250	180	96861657	96796260			
300 250 500	4	250	-	355M	MMG-G, EFF2	60	95	250	96848945	96789274	96809943	250	180	96861657	96796260			
300 250 500	4	315	-	315L	Siemens	60	85	250	96848944	96789274	96809943	225	180	96861654	96796259			
300 250 500	4	315	-	355L	MMG-E	60	95	250	96848945	96789274	96809943	250	180	96861657	96796260			
300 250 500	4	315	-	315D	MMG-G, EFF1	60	95	250	96848945	96789274	96809943	250	180	96861657	96796260			
300 250 500	4	315	-	355L	MMG-G, EFF2	60	95	250	96848945	96789274	96809943	250	180	96861657	96796260			
300 250 500	6	45	-	280S	Siemens, MMG-E	60	75	250	96848942	96789274	96809943	180	180	96861651	96796254			
300 250 500	6	45	-	250M	MMG-G, EFF1 & EFF2	60	70	250	96848941	96789274	96809943	180	180	96861650	96796254			
300 250 500	6	55	-	280M	Siemens, MMG-E	60	75	250	96848942	96789274	96809943	180	180	96861651	96796254			
300 250 500	6	55	-	280S	MMG-G, EFF1 & EFF2	60	80	250	96848943	96789274	96809943	200	180	96861653	96796255			
300 250 500	6	75	75	315S	Siemens, MMG-E	60	80	250	96848943	96789274	96809943	200	180	96861653	96796255			
300 250 500	6	75	75	280M	MMG-G, EFF1 & EFF2	60	80	250	96848943	96789274	96809943	200	180	96861653	96796255			

Pump type	Motor data							Shaft dia.		Grundfos standard coupling				Grundfos spacer coupling			
	Pole	Power [kW]		Frame size	Make	Pump	Motor	Coupling diameter	Coupling complete	Rubber	Bolts	Coupling diameter	Spacer length	Coupling complete	Rubber		
		50 Hz	60 Hz													[mm]	[mm]
300 250 500	6	90	90	315M	Siemens, MMG-E	60	80	250	96848943	96789274	96809943	200	180	96861653	96796255		
300 250 500	6	90	90	315S	MMG-G, EFF1 & EFF2	60	85	250	96848943	96789274	96809943	200	180	96861653	96796255		
300 250 500	6	-	110	315M	Siemens	60	80	250	96848943	96789274	96809943	200	180	96861653	96796255		
300 250 500	6	-	110	315L	MMG-E	60	80	250	96848943	96789274	96809943	200	180	96861653	96796255		
300 250 500	6	-	110	315M	MMG-G, EFF1 & EFF2	60	85	250	96848944	96789274	96809943	225	180	96861654	96796259		
300 250 500	6	-	132	315L	Siemens, MMG-E	60	80	250	96848943	96789274	96809943	200	180	96861653	96796255		
300 250 500	6	-	132	315M	MMG-G, EFF1 & EFF2	60	85	250	96848944	96789274	96809943	225	180	96861654	96796259		
300 250 500	6	-	160	315L	Siemens	60	80	250	96848943	96789274	96809943	200	180	96861653	96796255		
300 250 500	6	-	160	355M	MMG-E	60	95	250	96848945	96789274	96809943	250	180	96861657	96796260		
300 250 500	6	-	160	315C	MMG-G, EFF1	60	95	250	96848945	96789274	96809943	250	180	96861657	96796260		



Exploded view

TM034895



TM049572

Exploded view, NKG single and double mechanical seal, stuffing box, oil-lubricated and grease-lubricated bearing bracket