

57.NBG

Model B

50/60 Hz

Contents of this chapter

Kit type

- [Shaft seal](#)

- [Spacer ring for shaft seal \(pos. 105b and 105c\)](#)

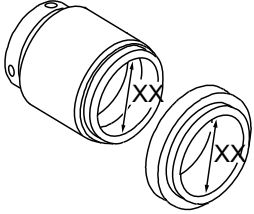
- [O-ring](#)

- [Shaft](#)

- [Wear ring](#)

- [Impeller](#)

- [Nut, washer and key for impeller](#)



Shaft seal designs

Content

Pos.	Description	BAQE	BAQV	BQQE	BQQV	BBQE	BBQV	GQQE	GQQV	DAQF	
105	Shaft seal	1	1	1	1	1	1	1	1	1	
Burgmann specification	Type	MG13/ XX-G6	MG13/ XX-G6	MG13/ XX-G6	MG13/ XX-G6	MG13/ XX-G6	MG13/ XX-G6	MG13S50/ XX-G6	MG13S50/ XX-G6	HJ92N/ XX-00	
	Material code: A, B, C, D, E, F, G, H, I, J, K, M, N, P, S, T, U, W										
	Material		AQ1E GG	AQ1V GG	Q7Q7E GG	Q7Q7V GG	BQ1E GG	BQ1V GG	Q1Q1E GG	Q1Q1V GG	AQ1V9 GG
		Material code: L, R									
		AQ1E MM	AQ1V MM	Q1Q1E MM	Q1Q1V MM	BQ1E MM	BQ1V MM	Q1Q1E MM	Q1Q1V MM	AQ1V9 MM	

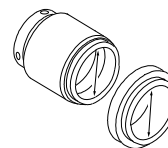
Pos.	Description	DQQE	DQQV	DQQX	DQQK	AQQE	AQQX	AQQK	AQQV	AQAE	AQAV	
105	Shaft seal	1	1	1	1	1	1	1	1	1	1	
Burgmann specification	Type	HJ92N/ XX-00	HJ92N/ XX-00	HJ92N/ XX-00	HJ92N/ XX-00	M7N/ XX-00	M7N/ XX-00	M7N/ XX-00	M7N/ XX-00	M7N/ XX-00	M7N/ XX-00	
	Material code: A, B, C, D, E, F, G, H, I, J, K, M, N, P, S, T, U, W											
	Material		Q6Q6E GG	Q6Q6V GG	Q6Q6X4 GG	Q6Q6K23 GG	Q1Q1E GG	Q1Q1X4 GG	Q1Q1K23 GG	Q1Q1V GG	Q1AE GG	Q1AV GG
		Material code: L, R										
		Q6Q6E MM	Q6Q6V MM	Q6Q6X4MM	Q6Q6K23M M	Q1Q1E MM	Q1Q1X4MM	Q1Q1K23 MM	Q1Q1V MM	Q1AE MM	Q1AV MM	

Note: XX = 28, 38, 48, 55 or 60. XX is the internal diameter of the shaft seal.

Shaft seal

Material code: A, B, C, D, E, F, G, H, I, J, K, M, N, P, S, T, U, W

The material code can be found in the type designation on the nameplate.



Shaft seal diameter

NBG 50-32 -125 .1 /142 A -F (A)-BAQE

Pump type	Shaft seal dia.	BAQE	BAQV	BQQE	BQQV	BQQV ¹⁵³⁾	BBQE	BBQV	BQBE	
		MG13	MG13	MG13	MG13	MG13	MG13	MG13	RMG13	
50-32-	125.1	28	96488302	96548353	98434904	98434905	98670789	96551963	97769885	96548351
	160.1	28	96488302	96548353	98434904	98434905	98670789	96551963	97769885	96548351
	200.1	28	96488302	96548353	98434904	98434905	98670789	96551963	97769885	96548351
	125	28	96488302	96548353	98434904	98434905	98670789	96551963	97769885	96548351
	160	28	96488302	96548353	98434904	98434905	98670789	96551963	97769885	96548351
	200	28	96488302	96548353	98434904	98434905	98670789	96551963	97769885	96548351
	250	38	96537605	96548357	98434906	98434908	98670790	96551928	97769887	96548356
65-50-	125	28	96488302	96548353	98434904	98434905	98670789	96551963	97769885	96548351
	160	28	96488302	96548353	98434904	98434905	98670789	96551963	97769885	96548351
65-40-	200	28	96488302	96548353	98434904	98434905	98670789	96551963	97769885	96548351
	250	38	96537605	96548357	98434906	98434908	98670790	96551928	97769887	96548356
	315	38	96537605	96548357	98434906	98434908	98670790	96551928	97769887	96548356
80-65-	125	28	96488302	96548353	98434904	98434905	98670789	96551963	97769885	96548351
	160	28	96488302	96548353	98434904	98434905	98670789	96551963	97769885	96548351
80-50-	200	28	96488302	96548353	98434904	98434905	98670789	96551963	97769885	96548351
	250	38	96537605	96548357	98434906	98434908	98670790	96551928	97769887	96548356
	315	38	96537605	96548357	98434906	98434908	98670790	96551928	97769887	96548356
100-80-	125	28	96488302	96548353	98434904	98434905	98670789	96551963	97769885	96548351
	160	38	96537605	96548357	98434906	98434908	98670790	96551928	97769887	96548356
100-65-	200	38	96537605	96548357	98434906	98434908	98670790	96551928	97769887	96548356
	250	38	96537605	96548357	98434906	98434908	98670790	96551928	97769887	96548356
	315	48	96306472	96658791	98434909	98434941	98670801	96658794	97769889	-
125-80-	160	38	96537605	96548357	98434906	98434908	98670790	96551928	97769887	96548356
	200	38	96537605	96548357	98434906	98434908	98670790	96551928	97769887	96548356
	250	38	96537605	96548357	98434906	98434908	98670790	96551928	97769887	96548356
	315	48	96306472	96658791	98434909	98434941	98670801	96658794	97769889	-
	400.1	48	96306472	96658791	98434909	98434941	98670801	96658794	97769889	-
	400	48	96306472	96658791	98434909	98434941	98670801	96658794	97769889	-
	400 ¹⁵⁴⁾	55	96306475	96658801	98434943	98434944	98670802	96658804	97769891	-
125-100-	160	38	96537605	96548357	98434906	98434908	98670790	96551928	97769887	96548356
	200	38	96537605	96548357	98434906	98434908	98670790	96551928	97769887	96548356
	250	48	96306472	96658791	98434909	98434941	98670801	96658794	97769889	-
	315	48	96306472	96658791	98434909	98434941	98670801	96658794	97769889	-
	400	48	96306472	96658791	98434909	98434941	98670801	96658794	97769889	-
150-125-	200	38	96537605	96548357	98434906	98434908	98670790	96551928	97769887	96548356
	250	48	96306472	96658791	98434909	98434941	98670801	96658794	97769889	-
	315	48	96306472	96658791	98434909	98434941	98670801	96658794	97769889	-
	400	48	96306472	96658791	98434909	98434941	98670801	96658794	97769889	-
	500	60	96658812	96658815	98434945	98434947	98670803	96658818	97769893	-

Pump type	Shaft seal dia.	BAQE	BAQV	BQQE	BQQV	BQQV ¹⁵⁾	BBQE	BBQV	BQBE	
		MG13	MG13	MG13	MG13	MG13	MG13	MG13	RMG13	
200-150-	200	38	96537605	96548357	98434906	98434908	98670790	96551928	97769887	96548356
	250	48	96306472	96658791	98434909	98434941	98670801	96658794	97769889	-
	315.1	55	96306475	96658801	98434943	98434944	98670802	96658804	97769891	-
	315.2	55	96306475	96658801	98434943	98434944	98670802	96658804	97769891	-
	315	55	96306475	96658801	98434943	98434944	98670802	96658804	97769891	-
	400	55	96306475	96658801	98434943	98434944	98670802	96658804	97769891	-
	500	60	96658812	96658815	98434945	98434947	98670803	96658818	97769893	-
250-200-	400	55	96306475	96658801	98434943	98434944	98670802	96658804	97769891	-
	450	55	96306475	96658801	98434943	98434944	98670802	96658804	97769891	-
300-250-	350	55	96306475	96658801	98434943	98434944	98670802	96658804	97769891	-
	400	55	96306475	96658801	98434943	98434944	98670802	96658804	97769891	-
	450	60	96658812	96658815	98434945	98434947	98670803	96658818	97769893	-
	500	60	96658812	96658815	98434945	98434947	98670803	96658818	97769893	-

¹⁵ PWIS-free shaft seal.

3)

¹⁵ For 2-pole model only.

4)

Pump type	Shaft seal dia.	GQQE	GQQV	DAQF	DQQE	DQQK	DQQV	DQQX	
		MG13S	MG13S	HJ92N	HJ977GN	HJ977GN	HJ977GN	HJ977GN	
50-32-	125.1	28	96488303	96504870	96548355	97769895	97769911	97769899	97769907
	160.1	28	96488303	96504870	96548355	97769895	97769911	97769899	97769907
	200.1	28	96488303	96504870	96548355	97769895	97769911	97769899	97769907
	125	28	96488303	96504870	96548355	97769895	97769911	97769899	97769907
	160	28	96488303	96504870	96548355	97769895	97769911	97769899	97769907
	200	28	96488303	96504870	96548355	97769895	97769911	97769899	97769907
	250	38	96537606	96537608	96548359	97769897	97769913	97769901	97769909
65-50-	125	28	96488303	96504870	96548355	97769895	97769911	97769899	97769907
	160	28	96488303	96504870	96548355	97769895	97769911	97769899	97769907
65-40-	200	28	96488303	96504870	96548355	97769895	97769911	97769899	97769907
	250	38	96537606	96537608	96548359	97769897	97769913	97769901	97769909
	315	38	96537606	96537608	96548359	97769897	97769913	97769901	97769909
80-65-	125	28	96488303	96504870	96548355	97769895	97769911	97769899	97769907
	160	28	96488303	96504870	96548355	97769895	97769911	97769899	97769907
80-50-	200	28	96488303	96504870	96548355	97769895	97769911	97769899	97769907
	250	38	96537606	96537608	96548359	97769897	97769913	97769901	97769909
	315	38	96537606	96537608	96548359	97769897	97769913	97769901	97769909
100-80-	125	28	96488303	96504870	96548355	97769895	97769911	97769899	97769907
	160	38	96537606	96537608	96548359	97769897	97769913	97769901	97769909
100-65-	200	38	96537606	96537608	96548359	97769897	97769913	97769901	97769909
	250	38	96537606	96537608	96548359	97769897	97769913	97769901	97769909
	315	48	96306474	96658793	96658796	97685509	97685516	97685511	97685514
125-80-	160	38	96537606	96537608	96548359	97769897	97769913	97769901	97769909
	200	38	96537606	96537608	96548359	97769897	97769913	97769901	97769909
	250	38	96537606	96537608	96548359	97769897	97769913	97769901	97769909
	315	48	96306474	96658793	96658796	97685509	97685516	97685511	97685514
	400.1	48	96306474	96658793	96658796	97685509	97685516	97685511	97685514
	400	48	96306474	96658793	96658796	97685509	97685516	97685511	97685514
	400 ¹⁵⁾	55	96306477	96658803	96658807	97685596	97685608	97685600	97685604
125-100-	160	38	96537606	96537608	96548359	97769897	97769913	97769901	97769909
	200	38	96537606	96537608	96548359	97769897	97769913	97769901	97769909
	250	48	96306474	96658793	96658796	97685509	97685516	97685511	97685514
	315	48	96306474	96658793	96658796	97685509	97685516	97685511	97685514
	400	48	96306474	96658793	96658796	97685509	97685516	97685511	97685514
	400	48	96306474	96658793	96658796	97685509	97685516	97685511	97685514

Pump type	Shaft seal dia.	GQQE	GQQV	DAQF	DQQE	DQQK	DQQV	DQQX	
		MG13S	MG13S	HJ92N	HJ977GN	HJ977GN	HJ977GN	HJ977GN	
150-125-	200	38	96537606	96537608	96548359	97769897	97769913	97769901	97769909
	250	48	96306474	96658793	96658796	97685509	97685516	97685511	97685514
	315	48	96306474	96658793	96658796	97685509	97685516	97685511	97685514
	400	48	96306474	96658793	96658796	97685509	97685516	97685511	97685514
	500	60	96658814	96658817	96658820	97685598	97685610	97685602	97685606
200-150-	200	38	96537606	96537608	96548359	97769897	97769913	97769901	97769909
	250	48	96306474	96658793	96658796	97685509	97685516	97685511	97685514
	315.1	55	96306477	96658803	96658807	97685596	97685608	97685600	97685604
	315.2	55	96306477	96658803	96658807	97685596	97685608	97685600	97685604
	315	55	96306477	96658803	96658807	97685596	97685608	97685600	97685604
	400	55	96306477	96658803	96658807	97685596	97685608	97685600	97685604
250-200-	400	55	96306477	96658803	96658807	97685596	97685608	97685600	97685604
	450	55	96306477	96658803	96658807	97685596	97685608	97685600	97685604
	350	55	96306477	96658803	96658807	97685596	97685608	97685600	97685604
300-250-	400	55	96306477	96658803	96658807	97685596	97685608	97685600	97685604
	450	60	96658814	96658817	96658820	97685598	97685610	97685602	97685606
	500	60	96658814	96658817	96658820	97685598	97685610	97685602	97685606

¹⁵ For 2-pole model only.
⁵⁾

Pump type	Shaft seal dia.	AQQE	AQQK	AQQV	AQQX	AQAE	AQAV	
		M7N	M7N	M7N	M7N	M7N	M7N	
50-32-	125.1	28	96551965	97769915	96551967	97769903	96551964	96551966
	160.1	28	96551965	97769915	96551967	97769903	96551964	96551966
	200.1	28	96551965	97769915	96551967	97769903	96551964	96551966
	125	28	96551965	97769915	96551967	97769903	96551964	96551966
	160	28	96551965	97769915	96551967	97769903	96551964	96551966
	200	28	96551965	97769915	96551967	97769903	96551964	96551966
	250	38	96551960	97769917	96551962	97769905	96551929	96551961
65-50-	125	28	96551965	97769915	96551967	97769903	96551964	96551966
	160	28	96551965	97769915	96551967	97769903	96551964	96551966
65-40-	200	28	96551965	97769915	96551967	97769903	96551964	96551966
	250	38	96551960	97769917	96551962	97769905	96551929	96551961
	315	38	96551960	97769917	96551962	97769905	96551929	96551961
80-65-	125	28	96551965	97769915	96551967	97769903	96551964	96551966
	160	28	96551965	97769915	96551967	97769903	96551964	96551966
80-50-	200	28	96551965	97769915	96551967	97769903	96551964	96551966
	250	38	96551960	97769917	96551962	97769905	96551929	96551961
	315	38	96551960	97769917	96551962	97769905	96551929	96551961
100-80-	125	28	96551965	97769915	96551967	97769903	96551964	96551966
	160	38	96551960	97769917	96551962	97769905	96551929	96551961
100-65-	200	38	96551960	97769917	96551962	97769905	96551929	96551961
	250	38	96551960	97769917	96551962	97769905	96551929	96551961
125-80-	315	48	96658799	97685504	96658800	97685501	96658797	96658798
	160	38	96551960	97769917	96551962	97769905	96551929	96551961
	200	38	96551960	97769917	96551962	97769905	96551929	96551961
	250	38	96551960	97769917	96551962	97769905	96551929	96551961
	315	48	96658799	97685504	96658800	97685501	96658797	96658798
	400.1	48	96658799	97685504	96658800	97685501	96658797	96658798
	400	48	96658799	97685504	96658800	97685501	96658797	96658798
	400 ¹⁵⁶⁾	55	96658810	97685588	96658811	97685584	96658808	96658809

Pump type	Shaft seal dia.	AQQE	AQQK	AQQV	AQQX	AQAE	AQAV	
		M7N	M7N	M7N	M7N	M7N	M7N	
125-100-	160	38	96551960	97769917	96551962	97769905	96551929	96551961
	200	38	96551960	97769917	96551962	97769905	96551929	96551961
	250	48	96658799	97685504	96658800	97685501	96658797	96658798
	315	48	96658799	97685504	96658800	97685501	96658797	96658798
	400	48	96658799	97685504	96658800	97685501	96658797	96658798
150-125-	200	38	96551960	97769917	96551962	97769905	96551929	96551961
	250	48	96658799	97685504	96658800	97685501	96658797	96658798
	315	48	96658799	97685504	96658800	97685501	96658797	96658798
	400	48	96658799	97685504	96658800	97685501	96658797	96658798
	500	60	96658823	97685590	96658824	97685586	96658821	96658822
200-150-	200	38	96551960	97769917	96551962	97769905	96551929	96551961
	250	48	96658799	97685504	96658800	97685501	96658797	96658798
	315.1	55	96658810	97685588	96658811	97685584	96658808	96658809
	315.2	55	96658810	97685588	96658811	97685584	96658808	96658809
	315	55	96658810	97685588	96658811	97685584	96658808	96658809
	400	55	96658810	97685588	96658811	97685584	96658808	96658809
	500	60	96658823	97685590	96658824	97685586	96658821	96658822
250-200-	400	55	96658810	97685588	96658811	97685584	96658808	96658809
	450	55	96658810	97685588	96658811	97685584	96658808	96658809
300-250-	350	55	96658810	97685588	96658811	97685584	96658808	96658809
	400	55	96658810	97685588	96658811	97685584	96658808	96658809
	450	60	96658823	97685590	96658824	97685586	96658821	96658822
	500	60	96658823	97685590	96658824	97685586	96658821	96658822

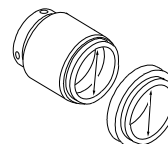
¹⁵ For 2-pole model only.

6)

Shaft seal

Material code: L, R

The material code can be found in the type designation on the nameplate



Shaft seal diameter

NBG 50-32-125.1/140 A-F-L-BAQE

Pump type	Shaft seal dia.		BAQE	BAQV	BQQE	BQQV	BQQV ¹⁵⁷⁾	BBQE	BBQV	BQBE
			MG13	MG13	MG13	MG13	MG13	MG13	MG13	RMG13
50-32-	125.1	28	96658825	96658827	96658826	96658828	98670804	96658829	97769886	96658830
	160.1	28	96658825	96658827	96658826	96658828	98670804	96658829	97769886	96658830
	200.1	28	96658825	96658827	96658826	96658828	98670804	96658829	97769886	96658830
	125	28	96658825	96658827	96658826	96658828	98670804	96658829	97769886	96658830
	160	28	96658825	96658827	96658826	96658828	98670804	96658829	97769886	96658830
	200	28	96658825	96658827	96658826	96658828	98670804	96658829	97769886	96658830
	250	38	96658836	96658838	96658837	96658839	98670805	96658850	97769888	96658851
65-50-	125	28	96658825	96658827	96658826	96658828	98670804	96658829	97769886	96658830
	160	28	96658825	96658827	96658826	96658828	98670804	96658829	97769886	96658830
65-40-	200	28	96658825	96658827	96658826	96658828	98670804	96658829	97769886	96658830
	250	38	96658836	96658838	96658837	96658839	98670805	96658850	97769888	96658851
	315	38	96658836	96658838	96658837	96658839	98670805	96658850	97769888	96658851
80-65-	125	28	96658825	96658827	96658826	96658828	98670804	96658829	97769886	96658830
	160	28	96658825	96658827	96658826	96658828	98670804	96658829	97769886	96658830
80-50-	200	28	96658825	96658827	96658826	96658828	98670804	96658829	97769886	96658830
	250	38	96658836	96658838	96658837	96658839	98670805	96658850	97769888	96658851
	315	38	96658836	96658838	96658837	96658839	98670805	96658850	97769888	96658851
100-80-	125	28	96658825	96658827	96658826	96658828	98670804	96658829	97769886	96658830
	160	38	96658836	96658838	96658837	96658839	98670805	96658850	97769888	96658851
100-65-	200	38	96658836	96658838	96658837	96658839	98670805	96658850	97769888	96658851
	250	38	96658836	96658838	96658837	96658839	98670805	96658850	97769888	96658851
	315	48	96658857	96658860	96658858	96658861	98670806	96658862	97769890	-
125-80-	160	38	96658836	96658838	96658837	96658839	98670805	96658850	97769888	96658851
	200	38	96658836	96658838	96658837	96658839	98670805	96658850	97769888	96658851
	250	38	96658836	96658838	96658837	96658839	98670805	96658850	97769888	96658851
	315	48	96658857	96658860	96658858	96658861	98670806	96658862	97769890	-
	400.1	48	96658857	96658860	96658858	96658861	98670806	96658862	97769890	-
	400	48	96658857	96658860	96658858	96658861	98670806	96658862	97769890	-
	400 ¹⁵⁸⁾	55	97769919	97769921	97769927	97769929	98670807	97769931	97769892	-
	160	38	96658836	96658838	96658837	96658839	98670805	96658850	97769888	96658851
125-100-	200	38	96658836	96658838	96658837	96658839	98670805	96658850	97769888	96658851
	250	48	96658857	96658860	96658858	96658861	98670806	96658862	97769890	-
	315	48	96658857	96658860	96658858	96658861	98670806	96658862	97769890	-
	400	48	96658857	96658860	96658858	96658861	98670806	96658862	97769890	-
150-125-	200	38	96658836	96658838	96658837	96658839	98670805	96658850	97769888	96658851
	250	48	96658857	96658860	96658858	96658861	98670806	96658862	97769890	-
	315	48	96658857	96658860	96658858	96658861	98670806	96658862	97769890	-
	400	48	96658857	96658860	96658858	96658861	98670806	96658862	97769890	-
	500	60	97769920	97769922	97769928	97769930	98670808	97769932	97769894	-

Pump type	Shaft seal dia.	BAQE	BAQV	BQQE	BQQV	BQQV ¹⁵⁾	BBQE	BBQV	BQBE	
		MG13	MG13	MG13	MG13	MG13	MG13	MG13	RMG13	
200-150-	200	38	96658836	96658838	96658837	96658839	98670805	96658850	97769888	96658851
	250	48	96658857	96658860	96658858	96658861	98670806	96658862	97769890	-
	315.1	55	97769919	97769921	97769927	97769929	98670807	97769931	97769892	-
	315.2	55	97769919	97769921	97769927	97769929	98670807	97769931	97769892	-
	315	55	97769919	97769921	97769927	97769929	98670807	97769931	97769892	-
	400	55	97769919	97769921	97769927	97769929	98670807	97769931	97769892	-
	500	60	97769920	97769922	97769928	97769930	98670808	97769932	97769894	-
250-200-	400	55	-	-	-	-	-	-	-	-
	450	55	-	-	-	-	-	-	-	-
300-250-	350	55	-	-	-	-	-	-	-	-
	400	55	-	-	-	-	-	-	-	-
	450	60	-	-	-	-	-	-	-	-
	500	60	-	-	-	-	-	-	-	-

¹⁵ PWIS-free shaft seal.

7)

¹⁵ For 2-pole model only.

8)

Pump type	Shaft seal dia.	GQQE	GQQV	DAQF	DQQE	DQQK	DQQV	DQQX	
		MG13S	MG13S	HJ92N	HJ977GN	HJ977GN	HJ977GN	HJ977GN	
50-32-	125.1	28	-	-	96658831	97769896	97769912	97769900	97769908
	160.1	28	-	-	96658831	97769896	97769912	97769900	97769908
	200.1	28	-	-	96658831	97769896	97769912	97769900	97769908
	125	28	-	-	96658831	97769896	97769912	97769900	97769908
	160	28	-	-	96658831	97769896	97769912	97769900	97769908
	200	28	-	-	96658831	97769896	97769912	97769900	97769908
	250	38	-	-	96658852	97769898	97769914	97769902	97769910
65-50-	125	28	-	-	96658831	97769896	97769912	97769900	97769908
	160	28	-	-	96658831	97769896	97769912	97769900	97769908
65-40-	200	28	-	-	96658831	97769896	97769912	97769900	97769908
	250	38	-	-	96658852	97769898	97769914	97769902	97769910
	315	38	-	-	96658852	97769898	97769914	97769902	97769910
80-65-	125	28	-	-	96658831	97769896	97769912	97769900	97769908
	160	28	-	-	96658831	97769896	97769912	97769900	97769908
80-50-	200	28	-	-	96658831	97769896	97769912	97769900	97769908
	250	38	-	-	96658852	97769898	97769914	97769902	97769910
	315	38	-	-	96658852	97769898	97769914	97769902	97769910
100-80-	125	28	-	-	96658831	97769896	97769912	97769900	97769908
	160	38	-	-	96658852	97769898	97769914	97769902	97769910
100-65-	200	38	-	-	96658852	97769898	97769914	97769902	97769910
	250	38	-	-	96658852	97769898	97769914	97769902	97769910
	315	48	-	-	96658863	97685510	97685518	97685513	97685515
125-80-	160	38	-	-	96658852	97769898	97769914	97769902	97769910
	200	38	-	-	96658852	97769898	97769914	97769902	97769910
	250	38	-	-	96658852	97769898	97769914	97769902	97769910
	315	48	-	-	96658863	97685510	97685518	97685513	97685515
	400.1	48	-	-	96658863	97685510	97685518	97685513	97685515
	400	48	-	-	96658863	97685510	97685518	97685513	97685515
	400 ¹⁵⁹⁾	55	-	-	97536552	97685597	97685609	97685601	97685605
125-100-	160	38	-	-	96658852	97769898	97769914	97769902	97769910
	200	38	-	-	96658852	97769898	97769914	97769902	97769910
	250	48	-	-	96658863	97685510	97685518	97685513	97685515
	315	48	-	-	96658863	97685510	97685518	97685513	97685515
	400	48	-	-	96658863	97685510	97685518	97685513	97685515

Pump type	Shaft seal dia.	GQQE	GQQV	DAQF	DQQE	DQQK	DQQV	DQQX	
		MG13S	MG13S	HJ92N	HJ977GN	HJ977GN	HJ977GN	HJ977GN	
150-125-	200	38	-	-	96658852	97769898	97769914	97769902	97769910
	250	48	-	-	96658863	97685510	97685518	97685513	97685515
	315	48	-	-	96658863	97685510	97685518	97685513	97685515
	400	48	-	-	96658863	97685510	97685518	97685513	97685515
	500	60	-	-	97536595	97685599	97685611	97685603	97685607
200-150-	200	38	-	-	96658852	97769898	97769914	97769902	97769910
	250	48	-	-	96658863	97685510	97685518	97685513	97685515
	315.1	55	-	-	97536552	97685597	97685609	97685601	97685605
	315.2	55	-	-	97536552	97685597	97685609	97685601	97685605
	315	55	-	-	97536552	97685597	97685609	97685601	97685605
	400	55	-	-	97536552	97685597	97685609	97685601	97685605
250-200-	400	55	-	-	-	-	-	-	-
	450	55	-	-	-	-	-	-	-
	350	55	-	-	-	-	-	-	-
300-250-	400	55	-	-	-	-	-	-	-
	450	60	-	-	-	-	-	-	-
	500	60	-	-	-	-	-	-	-

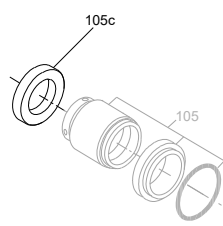
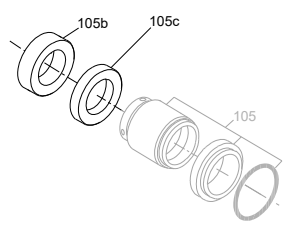
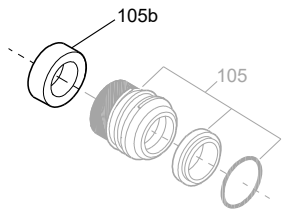
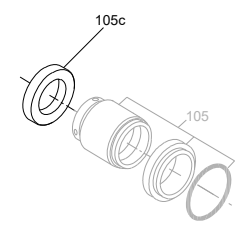
¹⁵ For 2-pole model only.
9)

Pump type	Shaft seal dia.	AQQE	AQQK	AQQV	AQQX	AQAE	AQAV	
		M7N	M7N	M7N	M7N	M7N	M7N	
50-32-	125.1	28	96658834	97769916	96658835	97769904	96658832	96658833
	160.1	28	96658834	97769916	96658835	97769904	96658832	96658833
	200.1	28	96658834	97769916	96658835	97769904	96658832	96658833
	125	28	96658834	97769916	96658835	97769904	96658832	96658833
	160	28	96658834	97769916	96658835	97769904	96658832	96658833
	200	28	96658834	97769916	96658835	97769904	96658832	96658833
	250	38	96658855	97769918	96658856	97769906	96658853	96658854
65-50-	125	28	96658834	97769916	96658835	97769904	96658832	96658833
	160	28	96658834	97769916	96658835	97769904	96658832	96658833
65-40-	200	28	96658834	97769916	96658835	97769904	96658832	96658833
	250	38	96658855	97769918	96658856	97769906	96658853	96658854
	315	38	96658855	97769918	96658856	97769906	96658853	96658854
80-65-	125	28	96658834	97769916	96658835	97769904	96658832	96658833
	160	28	96658834	97769916	96658835	97769904	96658832	96658833
80-50-	200	28	96658834	97769916	96658835	97769904	96658832	96658833
	250	38	96658855	97769918	96658856	97769906	96658853	96658854
	315	38	96658855	97769918	96658856	97769906	96658853	96658854
100-80-	125	28	96658834	97769916	96658835	97769904	96658832	96658833
	160	38	96658855	97769918	96658856	97769906	96658853	96658854
100-65-	200	38	96658855	97769918	96658856	97769906	96658853	96658854
	250	38	96658855	97769918	96658856	97769906	96658853	96658854
	315	48	96658866	97685505	96658867	97685502	96658864	96658865
125-80-	160	38	96658855	97769918	96658856	97769906	96658853	96658854
	200	38	96658855	97769918	96658856	97769906	96658853	96658854
	250	38	96658855	97769918	96658856	97769906	96658853	96658854
	315	48	96658866	97685505	96658867	97685502	96658864	96658865
	400.1	48	96658866	97685505	96658867	97685502	96658864	96658865
	400	48	96658866	97685505	96658867	97685502	96658864	96658865
	400 ¹⁶⁰⁾	55	97536543	97685589	97536544	97685585	97769923	97769925

Pump type	Shaft seal dia.	AQQE	AQQK	AQQV	AQQX	AQAE	AQAV	
		M7N	M7N	M7N	M7N	M7N	M7N	
125-100-	160	38	96658855	97769918	96658856	97769906	96658853	96658854
	200	38	96658855	97769918	96658856	97769906	96658853	96658854
	250	48	96658866	97685505	96658867	97685502	96658864	96658865
	315	48	96658866	97685505	96658867	97685502	96658864	96658865
	400	48	96658866	97685505	96658867	97685502	96658864	96658865
150-125-	200	38	96658855	97769918	96658856	97769906	96658853	96658854
	250	48	96658866	97685505	96658867	97685502	96658864	96658865
	315	48	96658866	97685505	96658867	97685502	96658864	96658865
	400	48	96658866	97685505	96658867	97685502	96658864	96658865
	500	60	97536585	97685591	97536586	97685587	97769924	97769926
200-150-	200	38	96658855	97769918	96658856	97769906	96658853	96658854
	250	48	96658866	97685505	96658867	97685502	96658864	96658865
	315.1	55	97536543	97685589	97536544	97685585	97769923	97769925
	315.2	55	97536543	97685589	97536544	97685585	97769923	97769925
	315	55	97536543	97685589	97536544	97685585	97769923	97769925
	400	55	97536543	97685589	97536544	97685585	97769923	97769925
	500	60	97536585	97685591	97536586	97685587	97769924	97769926
250-200-	400	55	-	-	-	-	-	-
	450	55	-	-	-	-	-	-
300-250-	350	55	-	-	-	-	-	-
	400	55	-	-	-	-	-	-
	450	60	-	-	-	-	-	-
	500	60	-	-	-	-	-	-

¹⁶ For 2-pole model only.
⁰⁾

Spacer ring for shaft seal (pos. 105b and 105c)

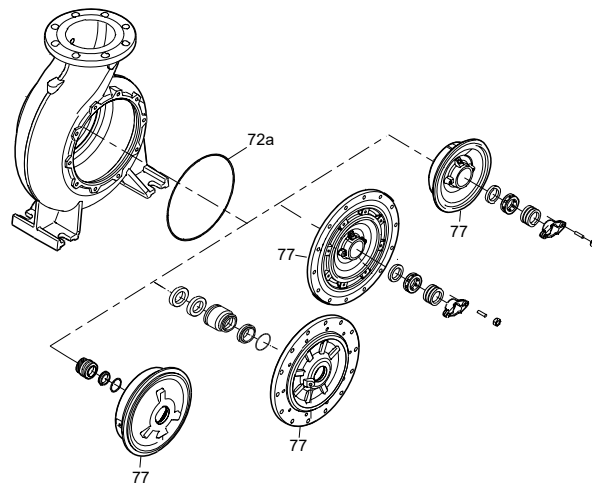
28, 48, 55 and 60 mm	38 mm	
 <p>105c</p> <p>105</p> <p>HJ92N, M7N</p>	<p>Design 1</p>  <p>105b 105c</p> <p>105</p> <p>HJ92N, M7N, HJ977GN</p>  <p>105b</p> <p>105</p> <p>MG13 RMG13</p>	<p>Design 2</p>  <p>105c</p> <p>105</p> <p>HJ92N, M7N, HJ977GN</p>

Spacer ring

Pos.	Shaft seal diameter [mm]	Description	Length [mm]	Material code	
				A, B, C, D, E, F, G, H, K, M, N, P, S	I, J, L, R, T, U, W
105b	38	Spacer ring	15.5	96591277	96938601
	28		7.5	96938597	96938598
	38		10	96938599	96938600
	48		15	96938602	96938603
105c	48	Spacer ring	15	96938602	96938603
	55		22.5	96938604	96938605
	60		17.5	96938606	96938607
105b and 1050c	38	Spacer ring	15.5	96930797	96930799
			10		

38 mm spacer ring			
Pump type	Shaft seal dia.	Design	
50-32-	125.1	28	-
	160.1	28	-
	200.1	28	-
	125	28	-
	160	28	-
	200	28	-
	250	38	2
65-50-	125	28	-
	160	28	-
65-40-	200	28	-
	250	38	2
	315	38	2
80-65-	125	28	-
	160	28	-
80-50-	200	28	-
	250	38	2
	315	38	1
100-80-	125	28	-
	160	38	2
100-65-	200	38	2
	250	38	1
	315	48	-
125-80-	160	38	2
	200	38	1
	250	38	1
	315	48	-
	400	48	-
125-100-	160	38	2
	200	38	1
	250	48	-
	315	48	-
150-125-	400	48	-
	200	38	1
	250	48	-
	315	48	-
	400	48	-
200-150-	500	60	-
	200	38	1
	250	48	-
	315.1	48/55	-
	315.2	48/55	-
250-200-	315	55	-
	400	55	-
	500	60	-
	400	48	-
300-250-	450	48	-
	350	48	-
	400	48	-
	450	60	-
	500	60	-

O-ring



TM047046

O-ring	
Pos.	Content
72a	1 x O-ring

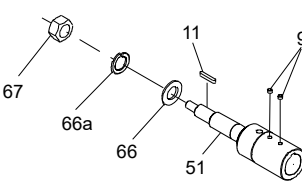
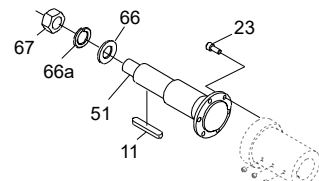
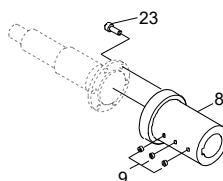
NK 32-125.1/142 A1-F-L-BAQE

The O-ring materials can be found in the type designation on the nameplate.

Code	Material
E	EPDM
M	FEPS
K	FFKM
V	FKM
F	FXM
X	HNBR

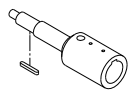
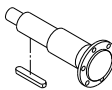
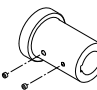
Pump type	O-ring kit 1 (pos. 72a)						
	E (EPDM)	M (FEPS)	K (FFKM)	V (FKM)	F (FXM)	X (HNBR)	
50-32-	125.1	97757659	97904673	97904674	97757697	97790022	97904675
	160.1	97757659	97904673	97904674	97757697	97790022	97904675
	200.1	97757671	97904679	97904691	97757698	97790080	97904692
	125	97757659	97904673	97904674	97757697	97790022	97904675
	160	97757659	97904673	97904674	97757697	97790022	97904675
	200	97757671	97904679	97904691	97757698	97790080	97904692
	250	97757672	97904676	97904677	97757699	97790081	97904678
65-50-	125	97757659	97904673	97904674	97757697	97790022	97904675
	160	97757659	97904673	97904674	97757697	97790022	97904675
65-40-	200	97757671	97904679	97904691	97757698	97790080	97904692
	250	97757672	97904676	97904677	97757699	97790081	97904678
80-65-	125	97757659	97904673	97904674	97757697	97790022	97904675
	160	97757659	97904673	97904674	97757697	97790022	97904675
80-50-	200	97757671	97904679	97904691	97757698	97790080	97904692
	250	97757672	97904676	97904677	97757699	97790081	97904678
100-80-	125	97757659	97904673	97904674	97757697	97790022	97904675
	160	97757659	97904673	97904674	97757697	97790022	97904675
100-65-	200	97757671	97904679	97904691	97757698	97790080	97904692
	250	97757673	96887769	96887760	97757703	96887763	96887766
125-80-	160	97757659	97904673	97904674	97757697	97790022	97904675
	200	97757671	97904679	97904691	97757698	97790080	97904692
125-100-	250	97757673	96887769	96887760	97757703	96887763	96887766
	315	97757675	96887770	96887761	97757705	96887764	96887767
150-125-	400	97757676	96887771	96887762	97757707	96887765	96887768
	160	97757659	97904673	97904674	97757697	97790022	97904675
200-150-	200	97757671	97904679	97904691	97757698	97790080	97904692
	250	97757673	96887769	96887760	97757703	96887763	96887766
250-200-	315	97757675	96887770	96887761	97757705	96887764	96887767
	400	97757676	96887771	96887762	97757707	96887765	96887768
300-250-	500	97757679	97536641	97536606	97757712	97536608	97536609
	400	97757676	-	-	97757707	96887765	-
300-250-	450	97757677	-	-	97757708	97790102	-
	350	97757676	-	-	97757707	96887765	-
300-250-	400	97757676	-	-	97757707	96887765	-
	450	97757677	-	-	97757708	97790102	-
300-250-	500	97757679	-	-	97757712	97536608	-

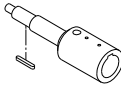
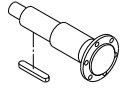
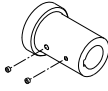
Shaft

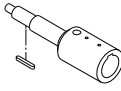
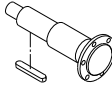
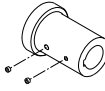
Stub shaft	Pump shaft	Motor bush
		
67: 1 x nut 66a: 1 x spring washer 66: 1 x washer 11: 1 x key 9: 2 x fixing screws 51: 1 x shaft (stub shaft)	67: 1 x nut 66a: 1 x spring washer 66: 1 x washer 11: 1 x key 23: 6/8 x screws 51: 1 x shaft (split shaft)	9: 2/3 x fixing screw 23: 6/8 x screws 8a: 1 x motor bush

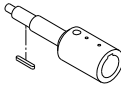
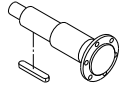
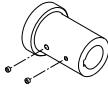
The material code can be found in the type designation on the nameplate.

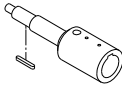
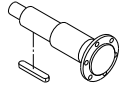
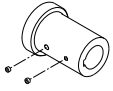
NBG 50-32 -125 .1 /142 A -F(A)-BAQE

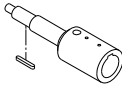
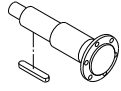
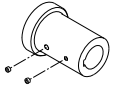
Pump type	Motor						Stub shaft	Split shaft			Motor bush
	Poles	Power [kW]	Frame size	Make							
					50 Hz	60 Hz	Material code				
						A, B, C, D, E, F, G, H, S	A, B, C, D, E, F, G, H, S	K, M, N, P	I, J, L, R, T, U, W		
50	32	125	2	1.1	-	90S	96039351	-	96847108	96847110	96810018
50	32	125	2	1.5	1.5	90S	96039351	-	96847108	96847110	96810018
50	32	125	2	2.2	2.2	90L	96039351	-	96847108	96847110	96810018
50	32	125	2	3.0	3.0	100L	96039352	-	96847108	96847110	96810019
50	32	125	2	-	4.0	112M	96039352	-	96847108	96847110	96810019
50	32	125	2	-	5.5	132S	96039353	-	96847108	96847110	96810020
50	32	125	4	0.25	0.25	71A	96039349	-	96847108	96847110	96810016
50	32	125	4	0.37	0.37	71B	96039349	-	96847108	96847110	96810016
50	32	125	4	-	0.55	80A	96039350	-	96847108	96847110	96810017
50	32	125	4	-	0.75	80B	96039350	-	96847108	96847110	96810017
50	32	160	2	2.2	-	90L	96039351	-	96847108	96847110	96810018
50	32	160	2	3.0	3.0	100L	96039352	-	96847108	96847110	96810019
50	32	160	2	4.0	4.0	112M	96039352	-	96847108	96847110	96810019
50	32	160	2	5.5	5.5	132S	96039353	-	96847108	96847110	96810020
50	32	160	2	-	7.5	132S	96039353	-	96847108	96847110	96810020
50	32	160	2	-	11	160M	96039354	-	96847108	96847110	96810021
50	32	160	4	0.25	-	71A	96039349	-	96847108	96847110	96810016
50	32	160	4	0.37	0.37	71B	96039349	-	96847108	96847110	96810016
50	32	160	4	0.55	0.55	80A	96039350	-	96847108	96847110	96810017
50	32	160	4	0.75	0.75	80B	96039350	-	96847108	96847110	96810017
50	32	160	4	-	1.1	90S	96039351	-	96847108	96847110	96810018
50	32	200	2	4.0	-	112M	96039352	-	96847108	96847110	96810019
50	32	200	2	5.5	5.5	132S	96039353	-	96847108	96847110	96810020
50	32	200	2	7.5	7.5	132S	96039353	-	96847108	96847110	96810020
50	32	200	2	-	15	160M	96039354	-	96847108	96847110	96810021
50	32	200	2	-	18.5	160L	96039354	-	96847108	96847110	96810021
50	32	200	2	11	11	160M	96039354	-	96847108	96847110	96810021
50	32	200	4	0.55	-	80A	96039350	-	96847108	96847110	96810017
50	32	200	4	0.75	0.75	80B	96039350	-	96847108	96847110	96810017

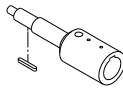
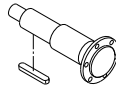
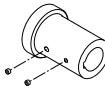
Pump type	Motor						Stub shaft	Split shaft	Motor bush		
	Poles	Power [kW]		Frame size	Make	Material code					
		50 Hz	60 Hz							A, B, C, D, E, F, G, H, S	A, B, C, D, E, F, G, H, S
50	32	200	4	1.1	1.1	90S	96039351	-	96847108	96847110	96810018
50	32	200	4	1.5	1.5	90L	96039351	-	96847108	96847110	96810018
50	32	200	4	-	2.2	100L	96039352	-	96847108	96847110	96810019
50	32	250	2	5.5	5.5	132S	-	96847113	96847113	96847114	96810020
50	32	250	2	7.5	7.5	132S	-	96847113	96847113	96847114	96810020
50	32	250	2	-	18.5	160L	-	96847113	96847113	96847114	96810021
50	32	250	2	11.0	11	160M	-	96847113	96847113	96847114	96810021
50	32	250	2	15.0	15	160M	-	96847113	96847113	96847114	96810021
50	32	250	2	-	22	180M	-	96847113	96847113	96847114	96306481
50	32	250	2	-	30	200L	-	96847113	96847113	96847114	96306482
50	32	250	4	0.75	-	80B	-	96847113	96847113	96847114	96810017
50	32	250	4	1.1	1.1	90S	-	96847113	96847113	96847114	96810018
50	32	250	4	1.5	1.5	90L	-	96847113	96847113	96847114	96810018
50	32	250	4	2.2	2.2	100L	-	96847113	96847113	96847114	96810019
50	32	250	4	-	3.0	100L	-	96847113	96847113	96847114	96810019
50	32	125.1	2	0.75	-	80A	96039350	-	96847108	96847110	96810017
50	32	125.1	2	1.1	1.1	90S	96039351	-	96847108	96847110	96810018
50	32	125.1	2	1.5	1.5	90S	96039351	-	96847108	96847110	96810018
50	32	125.1	2	2.2	2.2	90L	96039351	-	96847108	96847110	96810018
50	32	125.1	2	-	3.0	100L	96039352	-	96847108	96847110	96810019
50	32	125.1	2	-	4.0	112M	96039352	-	96847108	96847110	96810019
50	32	125.1	4	0.25	0.25	71A	96039349	-	96847108	96847110	96810016
50	32	125.1	4	0.37	0.37	71B	96039349	-	96847108	96847110	96810016
50	32	125.1	4	-	0.55	80A	96039350	-	96847108	96847110	96810017
50	32	160.1	2	1.5	-	90S	96039351	-	96847108	96847110	96810018
50	32	160.1	2	2.2	2.2	90L	96039351	-	96847108	96847110	96810018
50	32	160.1	2	3.0	3.0	100L	96039352	-	96847108	96847110	96810019
50	32	160.1	2	4.0	4.0	112M	96039352	-	96847108	96847110	96810019
50	32	160.1	2	-	5.5	132S	96039353	-	96847108	96847110	96810020
50	32	160.1	2	-	7.5	132S	96039353	-	96847108	96847110	96810020
50	32	160.1	4	0.25	-	71A	96039349	-	96847108	96847110	96810016
50	32	160.1	4	0.37	0.37	71B	96039349	-	96847108	96847110	96810016
50	32	160.1	4	0.55	0.55	80A	96039350	-	96847108	96847110	96810017
50	32	160.1	4	-	0.75	80B	96039350	-	96847108	96847110	96810017
50	32	200.1	2	3.0	-	100L	96039352	-	96847108	96847110	96810019
50	32	200.1	2	4.0	4.0	112M	96039352	-	96847108	96847110	96810019
50	32	200.1	2	5.5	5.5	132S	96039353	-	96847108	96847110	96810020
50	32	200.1	2	7.5	7.5	132S	96039353	-	96847108	96847110	96810020
50	32	200.1	2	-	11	160M	96039354	-	96847108	96847110	96810021
50	32	200.1	4	0.37	-	71B	-	96847108	96847108	96847110	96810016
50	32	200.1	4	0.55	0.55	80A	96039350	-	96847108	96847110	96810017
50	32	200.1	4	0.75	0.75	80B	96039350	-	96847108	96847110	96810017
50	32	200.1	4	-	1.1	90S	96039351	-	96847108	96847110	96810018
50	32	200.1	4	-	1.5	90L	96039351	-	96847108	96847110	96810018
65	40	200	2	5.5	-	132S	96039353	-	96847108	96847110	96810020
65	40	200	2	7.5	-	132S	96039353	-	96847108	96847110	96810020
65	40	200	2	11.0	11	160M	96039354	-	96847108	96847110	96810021
65	40	200	2	15.0	15	160M	96039354	-	96847108	96847110	96810021
65	40	200	2	-	18.5	160L	96039354	-	96847108	96847110	96810021

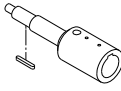
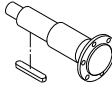
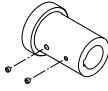
Pump type	Motor					Stub shaft	Split shaft	Motor bush			
	Poles	Power [kW]		Frame size	Make						
		50 Hz	60 Hz			Material code					
		A, B, C, D, E, F, G, H, S	A, B, C, D, E, F, G, H, S	K, M, N, P	I, J, L, R, T, U, W						
65	40	200	2	-	22	180M	96039355	-	96847108	96847110	96306481
65	40	200	2	-	30	200L	96039356	-	96847108	96847110	96306482
65	40	200	4	0.75	-	80B	96039350	-	96847108	96847110	96810017
65	40	200	4	1.1	1.1	90S	96039351	-	96847108	96847110	96810018
65	40	200	4	1.5	1.5	90L	96039351	-	96847108	96847110	96810018
65	40	200	4	2.2	2.2	100L	96039352	-	96847108	96847110	96810019
65	40	200	4	-	3.0	100L	96039352	-	96847108	96847110	96810019
65	40	250	2	11.0	-	160M	-	96847113	96847113	96847114	96810021
65	40	250	2	15.0	15	160M	-	96847113	96847113	96847114	96810021
65	40	250	2	18.5	18.5	160L	-	96847113	96847113	96847114	96810021
65	40	250	2	22	22	180M	-	96847113	96847113	96847114	96306481
65	40	250	2	30	30	200L	-	96847113	96847113	96847114	96306482
65	40	250	2	-	37	200L	-	96847113	96847113	96847114	96306482
65	40	250	4	1.5	-	90L	-	96847113	96847113	96847114	96810018
65	40	250	4	2.2	2.2	100L	-	96847113	96847113	96847114	96810019
65	40	250	4	3.0	3.0	100L	-	96847113	96847113	96847114	96810019
65	40	250	4	-	4.0	112M	-	96847113	96847113	96847114	96810019
65	40	250	4	-	5.5	132S	-	96847113	96847113	96847114	96810020
65	40	315	2	22	-	180M	96039360	-	96847117	96847118	96306481
65	40	315	2	30	-	200L	96039361	-	96847117	96847118	96306482
65	40	315	2	37	37	200L	96039361	-	96847117	96847118	96306482
65	40	315	2	45	45	225M	96537610	-	96847117	96847118	96810022
65	40	315	2	-	55	250M	-	-	96847117	96847118	96306483
65	40	315	2	-	75	280S	-	-	96847117	96847118	96306484
65	40	315	2	-	90	280M	-	-	96847117	96847118	96306484
65	40	315	4	3.0	-	100L	-	96847117	96847117	96847118	96810019
65	40	315	4	4.0	-	112M	-	96847117	96847117	96847118	96810019
65	40	315	4	5.5	5.5	132S	96039358	-	96847117	96847118	96810020
65	40	315	4	7.5	7.5	132S	96039358	-	96847117	96847118	96810020
65	40	315	4	-	11	160M	96039359	-	96847117	96847118	96810021
65	50	125	2	1.5	-	90S	96039351	-	96847108	96847110	96810018
65	50	125	2	2.2	-	90L	96039351	-	96847108	96847110	96810018
65	50	125	2	3.0	3.0	100L	96039352	-	96847108	96847110	96810019
65	50	125	2	4.0	4.0	112M	96039352	-	96847108	96847110	96810019
65	50	125	2	5.5	5.5	132S	96039353	-	96847108	96847110	96810020
65	50	125	2	-	7.5	132S	96039353	-	96847108	96847110	96810020
65	50	125	2	-	11	160M	96039354	-	96847108	96847110	96810021
65	50	125	4	0.25	-	71A	96039349	-	96847108	96847110	96810016
65	50	125	4	0.37	0.37	71B	96039349	-	96847108	96847110	96810016
65	50	125	4	0.55	0.55	80A	96039350	-	96847108	96847110	96810017
65	50	125	4	-	0.75	80B	96039350	-	96847108	96847110	96810017
65	50	125	4	-	1.1	90S	96039351	-	96847108	96847110	96810018
65	50	160	2	4.0	-	112M	96039352	-	96847108	96847110	96810019
65	50	160	2	5.5	5.5	132S	96039353	-	96847108	96847110	96810020
65	50	160	2	7.5	7.5	132S	96039353	-	96847108	96847110	96810020
65	50	160	2	11.0	11	160M	96039354	-	96847108	96847110	96810021
65	50	160	2	-	15	160M	96039354	-	96847108	96847110	96810021
65	50	160	4	0.37	-	71B	96039349	-	96847108	96847110	96810016
65	50	160	4	0.55	0.55	80A	96039350	-	96847108	96847110	96810017

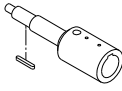
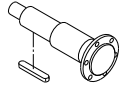
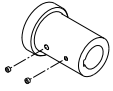
Pump type	Motor							Stub shaft	Split shaft	Motor bush	
	Poles	Power [kW]		Frame size	Make	Material code					
		50 Hz	60 Hz							A, B, C, D, E, F, G, H, S	A, B, C, D, E, F, G, H, S
65	50	160	4	0.75	0.75	80B	96039350	-	96847108	96847110	96810017
65	50	160	4	1.1	1.1	90S	96039351	-	96847108	96847110	96810018
65	50	160	4	-	1.5	90L	96039351	-	96847108	96847110	96810018
65	50	160	4	-	2.2	100L	96039352	-	96847108	96847110	96810019
80	50	200	2	11.0	-	160M	96039354	-	96847108	96847110	96810021
80	50	200	2	15.0	15	160M	96039354	-	96847108	96847110	96810021
80	50	200	2	18.5	18.5	160L	96039354	-	96847108	96847110	96810021
80	50	200	2	22	22	180M	96039355	-	96847108	96847110	96306481
80	50	200	2	-	30	200L	96039356	-	96847108	96847110	96306482
80	50	200	2	-	37	200L	96039356	-	96847108	96847110	96306482
80	50	200	4	1.1	-	90S	96039351	-	96847108	96847110	96810018
80	50	200	4	1.5	-	90L	96039351	-	96847108	96847110	96810018
80	50	200	4	2.2	2.2	100L	96039352	-	96847108	96847110	96810019
80	50	200	4	3.0	3.0	100L	96039352	-	96847108	96847110	96810019
80	50	200	4	-	4.0	112M	96039352	-	96847108	96847110	96810019
80	50	200	4	-	5.5	132S	96039353	-	96847108	96847110	96810020
80	50	250	2	15.0	-	160M	-	96847113	96847113	96847114	96810021
80	50	250	2	18.5	-	160L	-	96847113	96847113	96847114	96810021
80	50	250	2	22	-	180M	-	96847113	96847113	96847114	96306481
80	50	250	2	30	30	200L	-	96847113	96847113	96847114	96306482
80	50	250	2	37	37	200L	-	96847113	96847113	96847114	96306482
80	50	250	4	2.2	-	100L	-	96847113	96847113	96847114	96810019
80	50	250	4	3.0	-	100L	-	96847113	96847113	96847114	96810019
80	50	250	4	4.0	4.0	112M	-	96847113	96847113	96847114	96810019
80	50	250	4	-	5.5	132S	-	96847113	96847113	96847114	96810020
80	50	250	4	-	7.5	132M	-	96847113	96847113	96847114	96810020
80	50	315	2	30	-	200L	96039361	-	96847117	96847118	96306482
80	50	315	2	37	-	200L	96039361	-	96847117	96847118	96306482
80	50	315	2	45	-	225M	96537610	-	96847117	96847118	96810022
80	50	315	2	55	-	250M	-	96847121	96847121	96847123	96306483
80	50	315	2	75	75	280S	-	-	96847121	96847123	96306484
80	50	315	2	-	90	280M	-	-	96847121	96847123	96306484
80	50	315	2	-	110	315S	-	-	96847121	96847123	96306484
80	50	315	4	4.0	-	112M	-	96847117	96847117	96847118	96810019
80	50	315	4	5.5	5.5	132S	96039358	-	96847117	96847118	96810020
80	50	315	4	7.5	7.5	132M	96039358	-	96847117	96847118	96810020
80	50	315	4	11	11	160M	96039359	-	96847117	96847118	96810021
80	50	315	4	-	15	160L	96039359	-	96847117	96847118	96810021
80	65	125	2	3.0	-	100L	96039352	-	96847108	96847110	96810019
80	65	125	2	4.0	4.0	112M	96039352	-	96847108	96847110	96810019
80	65	125	2	5.5	5.5	132S	96039353	-	96847108	96847110	96810020
80	65	125	2	7.5	7.5	132S	96039353	-	96847108	96847110	96810020
80	65	125	2	-	11	160M	96039354	-	96847108	96847110	96810021
80	65	125	2	-	15	160M	96039354	-	96847108	96847110	96810021
80	65	125	4	0.37	-	71B	96039349	-	96847108	96847110	96810016
80	65	125	4	0.55	0.55	80A	96039350	-	96847108	96847110	96810017
80	65	125	4	0.75	0.75	80B	96039350	-	96847108	96847110	96810017
80	65	125	4	1.1	1.1	90S	96039351	-	96847108	96847110	96810018
80	65	125	4	-	1.5	90L	96039351	-	96847108	96847110	96810018

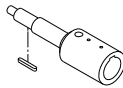
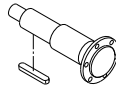
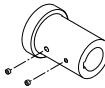
Pump type	Motor							Stub shaft	Split shaft	Motor bush	
	Poles	Power [kW]		Frame size	Make						
		50 Hz	60 Hz								Material code
		A, B, C, D, E, F, G, H, S	A, B, C, D, E, F, G, H, S	K, M, N, P	I, J, L, R, T, U, W						
80	65	160	2	5.5	-	132S	96039353	-	96847108	96847110	96810020
80	65	160	2	7.5	7.5	132S	96039353	-	96847108	96847110	96810020
80	65	160	2	11.0	11	160M	96039354	-	96847108	96847110	96810021
80	65	160	2	15.0	15	160M	96039354	-	96847108	96847110	96810021
80	65	160	2	-	18.5	160L	96039354	-	96847108	96847110	96810021
80	65	160	2	-	22	180M	-	96847108	96847108	96847110	96306481
80	65	160	4	0.55	-	80A	96039350	-	96847108	96847110	96810017
80	65	160	4	0.75	-	80B	96039350	-	96847108	96847110	96810017
80	65	160	4	1.1	1.1	90S	96039351	-	96847108	96847110	96810018
80	65	160	4	1.5	1.5	90L	96039351	-	96847108	96847110	96810018
80	65	160	4	2.2	2.2	100L	96039352	-	96847108	96847110	96810019
80	65	160	4	-	3.0	100L	96039352	-	96847108	96847110	96810019
100	65	200	2	11.0	-	160M	-	96847113	96847113	96847114	96810021
100	65	200	2	15.0	-	160M	-	96847113	96847113	96847114	96810021
100	65	200	2	18.5	18.5	160L	-	96847113	96847113	96847114	96810021
100	65	200	2	22	22	180M	-	96847113	96847113	96847114	96306481
100	65	200	2	30	30	200L	-	96847113	96847113	96847114	96306482
100	65	200	2	37	37	200L	-	96847113	96847113	96847114	96306482
100	65	200	4	1.5	-	90L	-	96847113	96847113	96847114	96810018
100	65	200	4	2.2	-	100L	-	96847113	96847113	96847114	96810019
100	65	200	4	3.0	3.0	100L	-	96847113	96847113	96847114	96810019
100	65	200	4	4.0	4.0	112M	-	96847113	96847113	96847114	96810019
100	65	200	4	-	5.5	132S	-	96847113	96847113	96847114	96810020
100	65	200	4	-	7.5	132M	-	96847113	96847113	96847114	96810020
100	65	250	2	30	-	200L	96039361	-	96847117	96847118	96306482
100	65	250	2	37	-	200L	96039361	-	96847117	96847118	96306482
100	65	250	2	45	45	225M	96537610	-	96847117	96847118	96810022
100	65	250	2	55	55	250M	-	96847121	96847121	96847123	96306483
100	65	250	2	75	75	280S	-	96847121	96847121	96847123	96306484
100	65	250	2	-	90	280M	-	96847121	96847121	96847123	96306484
100	65	250	2	-	110	315S	-	96847121	96847121	96847123	96306484
100	65	250	4	3.0	-	100L	96039357	-	96847117	96847118	96810019
100	65	250	4	4.0	-	112M	96039357	-	96847117	96847118	96810019
100	65	250	4	5.5	5.5	132S	96039358	-	96847117	96847118	96810020
100	65	250	4	7.5	7.5	132M	96039358	-	96847117	96847118	96810020
100	65	250	4	-	11	160M	96039359	-	96847117	96847118	96810021
100	65	250	4	-	15	160L	96039359	-	96847117	96847118	96810021
100	65	315	2	55	-	250M	-	96306479	96306479	96847125	96306483
100	65	315	2	75	-	280S	-	96306479	96306479	96847125	96306484
100	65	315	2	90	-	280M	-	96306479	96306479	96847125	96306484
100	65	315	2	110	-	315S	-	96306479	96306479	96847125	96306484
100	65	315	2		132	315M	-	-	96306479	96847125	96306484
100	65	315	2		160	315L	-	-	96306479	96847125	96306484
100	65	315	2		200	315L	-	-	96306479	96847125	96306484
100	65	315	4	5.5	-	132S	-	96306478	96306478	96847124	96810020
100	65	315	4	7.5	7.5	132M	-	96306478	96306478	96847124	96810020
100	65	315	4	11.0	11	160M	-	96306478	96306478	96847124	96810021
100	65	315	4	15.0	15	160L	-	96306478	96306478	96847124	96810021
100	65	315	4	-	18.5	180M	-	96306478	96306478	96847124	96306481

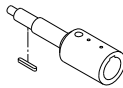
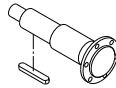
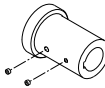
Pump type	Motor						Stub shaft	Split shaft	Motor bush		
	Poles	Power [kW]		Frame size	Make	Material code					
		50 Hz	60 Hz							A, B, C, D, E, F, G, H, S	A, B, C, D, E, F, G, H, S
100	65	315	4	-	22	180L	-	96306478	96306478	96847124	96306481
100	80	125	2	4.0	-	112M	96039352	-	96847108	96847110	96810019
100	80	125	2	5.5	-	132S	96039353	-	96847108	96847110	96810020
100	80	125	2	7.5	7.5	132S	96039353	-	96847108	96847110	96810020
100	80	125	2	11	11	160M	96039354	-	96847108	96847110	96810021
100	80	125	2	-	15	160M	96039354	-	96847108	96847110	96810021
100	80	125	2	-	18.5	160L	96039354	-	96847108	96847110	96810021
100	80	125	4	0.55	-	80A	96039350	-	96847108	96847110	96810017
100	80	125	4	0.75	-	80B	96039350	-	96847108	96847110	96810017
100	80	125	4	1.1	1.1	90S	96039351	-	96847108	96847110	96810018
100	80	125	4	-	1.5	90L	96039351	-	96847108	96847110	96810018
100	80	125	4	-	2.2	100L	96039352	-	96847108	96847110	96810019
100	80	160	2	7.5	-	132S	-	96847113	96847113	96847114	96810020
100	80	160	2	11.0	11.0	160M	-	96847113	96847113	96847114	96810021
100	80	160	2	15.0	15.0	160M	-	96847113	96847113	96847114	96810021
100	80	160	2	18.5	18.5	160L	-	96847113	96847113	96847114	96810021
100	80	160	2	-	22	180M	-	96847113	96847113	96847114	96306481
100	80	160	2	-	30	200L	-	96847113	96847113	96847114	96306482
100	80	160	4	0.75	-	80B	-	96847113	96847113	96847114	96810017
100	80	160	4	1.1	1.1	90S	-	96847113	96847113	96847114	96810018
100	80	160	4	1.5	1.5	90L	-	96847113	96847113	96847114	96810018
100	80	160	4	2.2	2.2	100L	-	96847113	96847113	96847114	96810019
100	80	160	4	-	3.0	100L	-	96847113	96847113	96847114	96810019
100	80	160	4	-	4.0	112M	-	96847113	96847113	96847114	96810019
125	80	160	2	11	-	160M	-	96847113	96847113	96847114	96810021
125	80	160	2	15	-	160M	-	96847113	96847113	96847114	96810021
125	80	160	2	18.5	-	160L	-	96847113	96847113	96847114	96810021
125	80	160	2	22	22	180M	-	96847113	96847113	96847114	96306481
125	80	160	2	30	30	200L	-	96847113	96847113	96847114	96306482
125	80	160	2	-	37	200L	-	96847113	96847113	96847114	96306482
125	80	160	4	1.5	-	90L	-	96847113	96847113	96847114	96810018
125	80	160	4	2.2	-	100L	-	96847113	96847113	96847114	96810019
125	80	160	4	3.0	3.0	100L	-	96847113	96847113	96847114	96810019
125	80	160	4	4.0	4.0	112M	-	96847113	96847113	96847114	96810019
125	80	160	4	-	5.5	132S	-	96847113	96847113	96847114	96810020
125	80	200	2	22	-	180M	96039360	-	96847117	96847118	96306481
125	80	200	2	30	-	200L	96039361	-	96847117	96847118	96306482
125	80	200	2	37	37	200L	96039361	-	96847117	96847118	96306482
125	80	200	2	45	45	225M	96537610	-	96847117	96847118	96810022
125	80	200	2	55	55	250M	-	96847121	96847121	96847123	96306483
125	80	200	2	-	75	280S	-	96847121	96847121	96847123	96306484
125	80	200	2	-	90	280M	-	96847121	96847121	96847123	96306484
125	80	200	4	2.2	-	100L	-	96847117	96847117	96847118	96810019
125	80	200	4	3.0	-	100L	-	96847117	96847117	96847118	96810019
125	80	200	4	4.0	4.0	112M	-	96847117	96847117	96847118	96810019
125	80	200	4	5.5	5.5	132S	96039358	-	96847117	96847118	96810020
125	80	200	4	7.5	7.5	132M	96039358	-	96847117	96847118	96810020
125	80	200	4	-	11	160M	96039359	-	96847117	96847118	96810021
125	80	250	2	45	-	225M	96537610	-	96847117	96847118	96810022

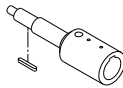
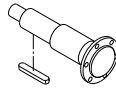
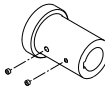
Pump type	Motor						Stub shaft	Split shaft	Motor bush			
	Poles	Power [kW]		Frame size	Make	Material code						
		50 Hz	60 Hz				A, B, C, D, E, F, G, H, S	A, B, C, D, E, F, G, H, S	K, M, N, P	I, J, L, R, T, U, W		
125	80	250	2	55	-	250M	-	96847121	96847121	96847123	96306483	
125	80	250	2	75	75	280S	-	96847121	96847121	96847123	96306484	
125	80	250	2	90	90	280M	-	96847121	96847121	96847123	96306484	
125	80	250	2	-	110	315S	-	96847121	96847121	96847123	96306484	
125	80	250	2	-	132	315M	-	96847121	96847121	96847123	96306484	
125	80	250	2	-	160	315L	-	96847121	96847121	96847123	96306484	
125	80	250	4	5.5	-	132S	96039358	-	96847117	96847118	96810020	
125	80	250	4	7.5	7.5	132M	96039358	-	96847117	96847118	96810020	
125	80	250	4	11.0	11	160M	96039359	-	96847117	96847118	96810021	
125	80	250	4	-	15	160L	96039359	-	96847117	96847118	96810021	
125	80	250	4	-	18.5	180M	96039360	-	96847117	96847118	96306481	
125	80	315	2	90	-	280M	-	96306479	96306479	96847125	96306484	
125	80	315	2	110	-	315S	-	96306479	96306479	96847125	96306484	
125	80	315	2	132	132	315M	-	96306479	96306479	96847125	96306484	
125	80	315	2	160	160	315L	-	96306479	96306479	96847125	96306484	
125	80	315	2	200	200	315L	-	-	96306479	96847125	96306484	
125	80	315	4	11.0	-	160M	-	96306478	96306478	96847124	96810021	
125	80	315	4	15.0	-	160L	-	96306478	96306478	96847124	96810021	
125	80	315	4	18.5	18.5	180M	-	96306478	96306478	96847124	96306481	
125	80	315	4	22	22	180L	-	96306478	96306478	96847124	96306481	
125	80	315	4	-	30	200L	-	96306478	96306478	96847124	96306482	
125	80	315	4	-	37	225S	-	96306479	96306479	96847125	96306483	
125	80	315	4	-	45	225M	-	96306479	96306479	96847125	96306483	
125	80	400	4	18.5	-	180M	-	96306478	96306478	96847124	96306481	
125	80	400	4	22	-	180L	-	96306478	96306478	96847124	96306481	
125	80	400	4	30	30	200L	-	96306478	96306478	96847124	96306482	
125	80	400	4	37	37	225S	-	96306479	96306479	96847125	96306483	
125	80	400	4	45	45	225M	-	96306479	96306479	96847125	96306483	
125	80	400	4	-	55	250M	Siemens, MMG-E	-	96306479	96306479	96847125	96306484
125	80	400	4	-	55	250M	MMG-G, EFF1 & EFF2	-	96306479	96306479	96847125	96810023
125	80	400	4	-	75	280S	Siemens, MMG-E	-	96306479	96306479	96847125	96306485
125	80	400	4	-	75	280S	MMG-G, EFF1 & EFF2	-	96306479	96306479	96847125	96810023
125	80	400	4	-	90	280M	Siemens, MMG-E	-	96306479	96306479	96847125	96306485
125	80	400	4	-	90	280M	MMG-G, EFF1 & EFF2	-	96306479	96306479	96847125	96306486
125	80	400.1	2	132	-	315M	-	-	96306479	96847125	96306484	
125	80	400.1	2	160	-	315L	-	-	96306479	96847125	96306484	
125	80	400.1	2	200	-	315L	-	-	96306479	96847125	96306484	
125	100	160	2	22	-	180M	-	96847113	96847113	96847114	96306481	
125	100	160	2	30	-	200L	-	96847113	96847113	96847114	96306482	
125	100	160	2	37	37	200L	-	96847113	96847113	96847114	96306482	
125	100	160	4	2.2	-	100L	-	96847113	96847113	96847114	96810019	
125	100	160	4	3.0	-	100L	-	96847113	96847113	96847114	96810019	
125	100	160	4	4.0	4.0	112M	-	96847113	96847113	96847114	96810019	
125	100	160	4	-	5.5	132S	-	96847113	96847113	96847114	96810020	
125	100	160	4	-	7.5	132M	-	96847113	96847113	96847114	96810020	
125	100	160	6	0.55	-	80B	-	96847113	96847113	96847114	96810017	
125	100	160	6	0.75	-	90S	-	96847113	96847113	96847114	96810018	
125	100	160	6	1.1	1.1	90L	-	96847113	96847113	96847114	96810018	
125	100	160	6	-	1.5	100L	-	96847113	96847113	96847114	96810019	

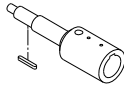
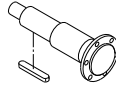
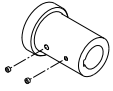
Pump type	Motor						Stub shaft	Split shaft	Motor bush
	Poles	Power [kW]		Frame size	Make	Material code			
		50 Hz	60 Hz						
125 100 160	6	-	2.2	112M	-	96847113	96847113	96847114	96810019
125 100 200	2	30	-	200L	96039361	-	96847117	96847118	96306482
125 100 200	2	37	-	200L	96039361	-	96847117	96847118	96306482
125 100 200	2	45	-	225M	96537610	-	96847117	96847118	96810022
125 100 200	2	55	55	250M	-	96847121	96847121	96847123	96306483
125 100 200	2	75	75	280S	-	96847121	96847121	96847123	96306484
125 100 200	2	-	90	280M	-	96847121	96847121	96847123	96306484
125 100 200	2	-	110	315S	-	96847121	96847121	96847123	96306484
125 100 200	2	-	132	315M	-	96847121	96847121	96847123	96306484
125 100 200	4	4.0	-	112M	-	96847117	96847117	96847118	96810019
125 100 200	4	5.5	5.5	132S	96039358	-	96847117	96847118	96810020
125 100 200	4	7.5	7.5	132M	96039358	-	96847117	96847118	96810020
125 100 200	4	11.0	11	160M	96039359	-	96847117	96847118	96810021
125 100 200	4	-	15	160L	96039359	-	96847117	96847118	96810021
125 100 200	4	-	18.5	180M	96039360	-	96847117	96847118	96306481
125 100 200	6	1.1	-	90L	-	96847117	96847117	96847118	96810018
125 100 200	6	1.5	1.5	100L	-	96847117	96847117	96847118	96810019
125 100 200	6	2.2	2.2	112M	-	96847117	96847117	96847118	96810019
125 100 200	6	3.0	3.0	132SA	96039358	-	96847117	96847118	96810020
125 100 200	6	-	4.0	132MA	96039358	-	96847117	96847118	96810020
125 100 200	6	-	5.5	132MB	96039358	-	96847117	96847118	96810020
125 100 250	2	55	-	250M	-	96306479	96306479	96847125	96306483
125 100 250	2	75	-	280S	-	96306479	96306479	96847125	96306484
125 100 250	2	90	-	280M	-	96306479	96306479	96847125	96306484
125 100 250	2	110	110	315S	-	96306479	96306479	96847125	96306484
125 100 250	2	132	132	315M	-	96306479	96306479	96847125	96306484
125 100 250	2	-	160	315L	-	96306479	96306479	96847125	96306484
125 100 250	2	-	200	315L	-	96306479	96306479	96847125	96306484
125 100 250	4	7.5	-	132M	-	96306478	96306478	96847124	96810020
125 100 250	4	18.5	18.5	180M	-	96306478	96306478	96847124	96306481
125 100 250	4	-	22	180L	-	96306478	96306478	96847124	96306481
125 100 250	4	-	30	200L	-	96306478	96306478	96847124	96306482
125 100 250	4	11.0	-	160M	-	96306478	96306478	96847124	96810021
125 100 250	4	15.0	15	160L	-	96306478	96306478	96847124	96810021
125 100 250	6	2.2	-	112M	-	96306478	96306478	96847124	96810019
125 100 250	6	3.0	-	132SA	-	96306478	96306478	96847124	96810020
125 100 250	6	4.0	4.0	132MA	-	96306478	96306478	96847124	96810020
125 100 250	6	5.5	5.5	132MB	-	96306478	96306478	96847124	96810020
125 100 250	6	-	7.5	160M	-	96306478	96306478	96847124	96810021
125 100 250	6	-	11	160L	-	96306478	96306478	96847124	96810021
125 100 315	2	110	-	315S	-	96306479	96306479	96847125	96306484
125 100 315	2	132	-	315M	-	96306479	96306479	96847125	96306484
125 100 315	2	160	-	315L	-	96306479	96306479	96847125	96306484
125 100 315	2	200	-	315L	-	96306479	96306479	96847125	96306484
125 100 315	4	18.5	-	180M	-	96306478	96306478	96847124	96306481
125 100 315	4	22	22	180L	-	96306478	96306478	96847124	96306481
125 100 315	4	30	30	200L	-	96306478	96306478	96847124	96306482
125 100 315	4	-	37	225S	-	96306479	96306479	96847125	96306483
125 100 315	4	-	45	225M	-	96306479	96306479	96847125	96306483

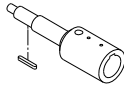
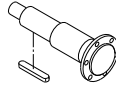
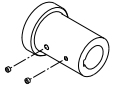
Pump type	Motor								Stub shaft	Split shaft	Motor bush	
	Poles	Power [kW]		Frame size	Make							
		50 Hz	60 Hz									Material code
		A, B, C, D, E, F, G, H, S	A, B, C, D, E, F, G, H, S	K, M, N, P	I, J, L, R, T, U, W							
125	100	315	4	-	55	250M	Siemens, MMG-E	-	96306479	96306479	96847125	96306484
125	100	315	4	-	55	250M	MMG-G, EFF1 & EFF2	-	96306479	96306479	96847125	96810023
125	100	315	4	15.0	-	160L		-	96306478	96306478	96847124	96810021
125	100	315	6	4.0	-	132MA		-	96306478	96306478	96847124	96810020
125	100	315	6	5.5	-	132MB		-	96306478	96306478	96847124	96810020
125	100	315	6	7.5	7.5	160M		-	96306478	96306478	96847124	96810021
125	100	315	6	-	15	180L		-	96306478	96306478	96847124	96306481
125	100	315	6	11.0	11	160L		-	96306478	96306478	96847124	96810021
125	100	400	4	22	-	180L		-	96306478	96306478	96847124	96306481
125	100	400	4	30	-	200L		-	96306478	96306478	96847124	96306482
125	100	400	4	37	37	225S		-	96306479	96306479	96847125	96306483
125	100	400	4	45	45	225M		-	96306479	96306479	96847125	96306483
125	100	400	4	55	55	250M		-	96306479	96306479	96847125	96306484
125	100	400	4	55	55	250M		-	96306479	96306479	96847125	96810023
125	100	400	4	-	75	280S		-	96306479	96306479	96847125	96306485
125	100	400	4	-	75	280S		-	96306479	96306479	96847125	96306486
125	100	400	4	-	90	280M		-	96306479	96306479	96847125	96306485
125	100	400	4	-	90	280M		-	96306479	96306479	96847125	96306486
125	100	400	6	7.5	-	160M		-	96306478	96306478	96847124	96810021
125	100	400	6	11.0	11	160L		-	96306478	96306478	96847124	96810021
125	100	400	6	15.0	15	180L		-	96306478	96306478	96847124	96306481
125	100	400	6	18.5	18.5	200LA		-	96306478	96306478	96847124	96306482
125	100	400	6	-	22	200LB		-	96306478	96306478	96847124	96306482
125	100	400	6	-	30	225M		-	96306479	96306479	96847125	96306483
150	125	200	2	45	-	225M		96537610	-	96847117	96847118	96810022
150	125	200	2	55	-	250M		-	96847121	96847121	96847123	96306483
150	125	200	2	75	75	280S		-	96847121	96847121	96847123	96306484
150	125	200	2	90	90	280S		-	96847121	96847121	96847123	96306484
150	125	200	2	110	110	315S		-	96847121	96847121	96847123	96306484
150	125	200	2	-	132	315M		-	96847121	96847121	96847123	96306484
150	125	200	2	-	160	315L		-	96847121	96847121	96847123	96306484
150	125	200	2	-	200	315L		-	96847121	96847121	96847123	96306484
150	125	200	4	5.5	-	132S		96039358	-	96847117	96847118	96810020
150	125	200	4	7.5	-	132M		96039358	-	96847117	96847118	96810020
150	125	200	4	11.0	11	160M		96039359	-	96847117	96847118	96810021
150	125	200	4	15.0	15	160L		96039359	-	96847117	96847118	96810021
150	125	200	4	-	18.5	180M		96039360	-	96847117	96847118	96306481
150	125	200	4	-	22	180L		96039360	-	96847117	96847118	96306481
150	125	200	6	1.5	-	100L		-	96847117	96847117	96847118	96810019
150	125	200	6	2.2	-	112M		-	96847117	96847117	96847118	96810019
150	125	200	6	3.0	3.0	132SA		96039358	-	96847117	96847118	96810020
150	125	200	6	4.0	4.0	132MA		96039358	-	96847117	96847118	96810020
150	125	200	6	-	5.5	132MB		96039358	-	96847117	96847118	96810020
150	125	200	6	-	7.5	160M		96039359	-	96847117	96847118	96810021
150	125	250	2	90	-	280S		-	96306479	96306479	96847125	96306484
150	125	250	2	110	-	315S		-	96306479	96306479	96847125	96306484
150	125	250	2	132	-	315M		-	96306479	96306479	96847125	96306484
150	125	250	2	160	160	315L		-	96306479	96306479	96847125	96306484
150	125	250	2	200	200	315L		-	96306479	96306479	96847125	96306484

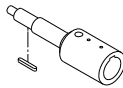
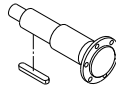
Pump type	Motor			Stub shaft		Split shaft			Motor bush
	Poles	Power [kW]		Frame size	Make				
		50 Hz	60 Hz						
		A, B, C, D, E, F, G, H, S	A, B, C, D, E, F, G, H, S	K, M, N, P	I, J, L, R, T, U, W				
150 125 250	4	18.5	18.5	180M	-	96306478	96306478	96847124	96306481
150 125 250	4	22	22	180L	-	96306478	96306478	96847124	96306481
150 125 250	4	30	30	200L	-	96306478	96306478	96847124	96306482
150 125 250	4	-	37	225S	-	96306479	96306479	96847125	96306483
150 125 250	4	-	45	225M	-	96306479	96306479	96847125	96306483
150 125 250	4	11.0	-	160M	-	96306478	96306478	96847124	96810021
150 125 250	4	15.0	-	160L	-	96306478	96306478	96847124	96810021
150 125 250	6	3.0	-	132SA	-	96306478	96306478	96847124	96810020
150 125 250	6	4.0	-	132MA	-	96306478	96306478	96847124	96810020
150 125 250	6	5.5	5.5	132MB	-	96306478	96306478	96847124	96810020
150 125 250	6	7.5	7.5	160M	-	96306478	96306478	96847124	96810021
150 125 250	6	-	11	160L	-	96306478	96306478	96847124	96810021
150 125 250	6	-	15	180L	-	96306478	96306478	96847124	96306481
150 125 315	2	132	-	315M	-	96306479	96306479	96847125	96306484
150 125 315	2	160	-	315L	-	96306479	96306479	96847125	96306484
150 125 315	2	200	-	315L	-	96306479	96306479	96847125	96306484
150 125 315	4	18.5	-	180M	-	96306478	96306478	96847124	96306481
150 125 315	4	22	-	180L	-	96306478	96306478	96847124	96306481
150 125 315	4	30	30	200L	-	96306478	96306478	96847124	96306482
150 125 315	4	37	37	225S	-	96306479	96306479	96847125	96306483
150 125 315	4	45	45	225M	-	96306479	96306479	96847125	96306483
150 125 315	4	-	55	250M	Siemens, MMG-E	96306479	96306479	96847125	96306484
150 125 315	4	-	55	250M	MMG-G, EFF1 & EFF2	96306479	96306479	96847125	96810023
150 125 315	4	-	75	280S	Siemens, MMG-E	96306479	96306479	96847125	96306485
150 125 315	4	-	75	280S	MMG-G, EFF1 & EFF2	96306479	96306479	96847125	96810023
150 125 315	6	5.5	-	132MB	-	96306478	96306478	96847124	96810020
150 125 315	6	7.5	7.5	160M	-	96306478	96306478	96847124	96810021
150 125 315	6	-	18.5	200LA	Siemens	96306478	96306478	96847124	96306482
150 125 315	6	-	22	200LB	Siemens	96306478	96306478	96847124	96306482
150 125 315	6	11.0	11	160L	-	96306478	96306478	96847124	96810021
150 125 315	6	15.0	15	180L	-	96306478	96306478	96847124	96306481
150 125 400	4	37	-	225S	-	96306479	96306479	96847125	96306483
150 125 400	4	45	-	225M	-	96306479	96306479	96847125	96306483
150 125 400	4	55	55	250M	Siemens, MMG-E	96306479	96306479	96847125	96306484
150 125 400	4	55	55	250M	MMG-G, EFF1 & EFF2	96306479	96306479	96847125	96810023
150 125 400	4	75	75	280S	Siemens, MMG-E	96306479	96306479	96847125	96306485
150 125 400	4	75	75	280S	MMG-G, EFF1 & EFF2	96306479	96306479	96847125	96810023
150 125 400	4	90	90	280M	Siemens, MMG-E	96306479	96306479	96847125	96306485
150 125 400	4	90	90	280M	MMG-G, EFF1 & EFF2	96306479	96306479	96847125	96306486
150 125 400	4	-	110	315S	Siemens, MMG-E	96306479	96306479	96847125	96306486
150 125 400	4	-	110	315S	MMG-G, EFF1 & EFF2	96306479	96306479	96847125	96306486
150 125 400	4	-	132	315M	Siemens, MMG-E	96306479	96306479	96847125	96306486
150 125 400	4	-	132	315M	MMG-G, EFF1 & EFF2	96306479	96306479	96847125	96306487
150 125 400	6	18.5	18.5	200LA	Siemens	96306478	96306478	96847124	96306482
150 125 400	6	22	22	200LB	Siemens	96306478	96306478	96847124	96306482
150 125 400	6	30	30	225M	Siemens	96306479	96306479	96847125	96306483
150 125 400	6	-	37	250M	Siemens	96306479	96306479	96847125	96306484
150 125 400	6	-	37	250M	MMG-G, EFF1 & EFF2	96306479	96306479	96847125	96810023
150 125 400	6	-	45	280S	Siemens, MMG-E	96306479	96306479	96847125	96306485

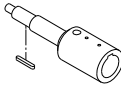
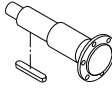
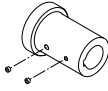
Pump type	Motor							Stub shaft	Split shaft	Motor bush		
	Poles	Power [kW]		Frame size	Make							
		50 Hz	60 Hz								Material code	
		A, B, C, D, E, F, G, H, S	A, B, C, D, E, F, G, H, S	K, M, N, P	I, J, L, R, T, U, W							
150	125	400	6	-	45	280S	MMG-G, EFF1 & EFF2	-	96306479	96306479	96847125	96306486
150	125	400	6	11.0	-	160L		-	96306478	96306478	96847124	96810021
150	125	400	6	15.0	-	180L		-	96306478	96306478	96847124	96306481
150	125	500	4	55	-	250M	Siemens, MMG-E	-	96847130	96847130	96847130	96306484
150	125	500	4	55	-	250M	MMG-G, EFF1 & EFF2	-	96847130	96847130	96847130	96810023
150	125	500	4	75	-	280S	Siemens, MMG-E	-	96847130	96847130	96847130	96306485
150	125	500	4	75	-	280S	MMG-G, EFF1 & EFF2	-	96847130	96847130	96847130	96810023
150	125	500	4	90	-	280M	Siemens, MMG-E	-	96847130	96847130	96847130	96306485
150	125	500	4	90	-	280M	MMG-G, EFF1 & EFF2	-	96847130	96847130	96847130	96306486
150	125	500	4	110	110	315S	Siemens, MMG-E	-	96847130	96847130	96847130	96306486
150	125	500	4	110	110	315S	MMG-G, EFF1 & EFF2	-	96847130	96847130	96847130	96306486
150	125	500	4	132	132	315M	Siemens, MMG-E	-	96847130	96847130	96847130	96306486
150	125	500	4	132	132	315M	MMG-G, EFF1 & EFF2	-	96847130	96847130	96847130	96306487
150	125	500	4	160	160	315M	Siemens, MMG-E	-	96847130	96847130	96847130	96306486
150	125	500	4	160	160	315M	MMG-G, EFF1 & EFF2	-	96847130	96847130	96847130	96306487
150	125	500	4	-	200	315L	Siemens, MMG-E	-	96847130	96847130	96847130	96306486
150	125	500	4	-	200	315L	MMG-G, EFF1 & EFF2	-	96847130	96847130	96847130	96306487
150	125	500	6	18.5	-	200LA	Siemens	-	96847128	96847128	96847128	96306482
150	125	500	6	22	-	200LB	Siemens	-	96847128	96847128	96847128	96306482
150	125	500	6	30	-	225M	Siemens	-	96847130	96847130	96847130	96306483
150	125	500	6	37	37	250M	Siemens	-	96847130	96847130	96847130	96306484
150	125	500	6	37	37	250M	MMG-G, EFF1 & EFF2	-	96847130	96847130	96847130	96810023
150	125	500	6	45	45	280S	Siemens, MMG-E	-	96847130	96847130	96847130	96306485
150	125	500	6	45	45	280S	MMG-G, EFF1 & EFF2	-	96847130	96847130	96847130	96306486
150	125	500	6	55	55	280M	Siemens, MMG-E	-	96847130	96847130	96847130	96306485
150	125	500	6	55	55	280M	MMG-G (TECO)	-	96847130	96847130	96847130	96306486
150	125	500	6	-	75	315S	Siemens, MMG-E	-	96847130	96847130	96847130	96306487
150	125	500	6	-	75	280M	MMG-G (TECO)	-	96847130	96847130	96847130	96306487
150	125	500	6	-	75	280M	MMG-G (TECO)	-	96847130	96847130	96847130	96306487
150	125	500	6	-	90	315MA	Siemens, MMG-E	-	96847130	96847130	96847130	96306486
150	125	500	6	-	90	315MA	MMG-G, EFF1 & EFF2	-	96847130	96847130	96847130	96306487
200	150	200	2	75	-	280S		-	96847121	96847121	96847123	96306484
200	150	200	2	90	-	280M		-	96847121	96847121	96847123	96306484
200	150	200	2	110	110	315S		-	96847121	96847121	96847123	96306484
200	150	200	2	-	132	315M		-	96847121	96847121	96847123	96306484
200	150	200	2	-	160	315L		-	96847121	96847121	96847123	96306484
200	150	200	2	-	200	315L		-	96847121	96847121	96847123	96306484
200	150	200	4	7.5	-	132M		96039358	-	96847117	96847118	96810020
200	150	200	4	11.0	-	160M		96039359	-	96847117	96847118	96810021
200	150	200	4	15.0	15	160L		96039359	-	96847117	96847118	96810021
200	150	200	4	-	18.5	180M		96039360	-	96847117	96847118	96306481
200	150	200	4	-	22	180L		96039360	-	96847117	96847118	96306481
200	150	200	6	2.2	-	112M		-	96847117	96847117	96847118	96810019
200	150	200	6	3.0	-	132SA		96039358	-	96847117	96847118	96810020
200	150	200	6	4.0	4.0	132MA		96039358	-	96847117	96847118	96810020
200	150	200	6	-	5.5	132MB		96039358	-	96847117	96847118	96810020
200	150	200	6	-	7.5	160M		96039359	-	96847117	96847118	96810021
200	150	250	2	132	-	315M		-	96306479	96306479	96847125	96306484
200	150	250	2	160	-	315L		-	96306479	96306479	96847125	96306484

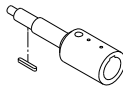
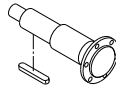
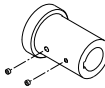
Pump type	Motor							Stub shaft	Split shaft	Motor bush	
	Poles	Power [kW]		Frame size	Make						
		50 Hz	60 Hz								Material code
		A, B, C, D, E, F, G, H, S	A, B, C, D, E, F, G, H, S	K, M, N, P	I, J, L, R, T, U, W						
200	150	250	2	200	-	315L	-	96306479	96306479	96847125	96306484
200	150	250	4	18.5	-	180M	-	96306478	96306478	96847124	96306481
200	150	250	4	22	-	180L	-	96306478	96306478	96847124	96306481
200	150	250	4	30	30	200L	-	96306478	96306478	96847124	96306482
200	150	250	4	37	37	225S	-	96306479	96306479	96847125	96306483
200	150	250	4	45	45	225M	-	96306479	96306479	96847125	96306483
200	150	250	4	-	55	250M	Siemens, MMG-E	96306479	96306479	96847125	96306484
200	150	250	4	-	55	250M	MMG-G, EFF1 & EFF2	96306479	96306479	96847125	96810023
200	150	250	4	-	75	280S	Siemens, MMG-E	96306479	96306479	96847125	96306485
200	150	250	4	-	75	280S	MMG-G, EFF1 & EFF2	96306479	96306479	96847125	96810023
200	150	250	4	15.0	-	160L	-	96306478	96306478	96847124	96810021
200	150	250	6	5.5	-	132MB	-	96306478	96306478	96847124	96810020
200	150	250	6	7.5	-	160M	-	96306478	96306478	96847124	96810021
200	150	250	6	-	15	180L	-	96306478	96306478	96847124	96306481
200	150	250	6	-	18.5	200LA	Siemens	96306478	96306478	96847124	96306482
200	150	250	6	11.0	11	160L	-	96306478	96306478	96847124	96810021
200	150	315	4	37	-	225S	-	96306480	96306480	96847127	96306483
200	150	315	4	45	-	225M	-	96306480	96306480	96847127	96306483
200	150	315	4	55	55	250M	Siemens, MMG-E	96306480	96306480	96847127	96306484
200	150	315	4	55	55	250M	MMG-G, EFF1 & EFF2	96306480	96306480	96847127	96810023
200	150	315	4	75	75	280S	Siemens, MMG-E	96306480	96306480	96847127	96306485
200	150	315	4	75	75	280S	MMG-G, EFF1 & EFF2	96306480	96306480	96847127	96810023
200	150	315	4	90	90	280M	Siemens, MMG-E	96306480	96306480	96847127	96306485
200	150	315	4	90	90	280M	MMG-G, EFF1 & EFF2	96306480	96306480	96847127	96306486
200	150	315	4	-	110	315S	Siemens, MMG-E	96306480	96306480	96847127	96306486
200	150	315	4	-	110	315S	MMG-G, EFF1 & EFF2	96306480	96306480	96847127	96306486
200	150	315	4	-	132	315M	Siemens, MMG-E	96306480	96306480	96847127	96306486
200	150	315	4	-	132	315M	MMG-G, EFF1 & EFF2	96306480	96306480	96847127	96306487
200	150	315	6	18.5	18.5	200LA	Siemens	96306488	96306488	96847126	96306482
200	150	315	6	22	22	200LB	Siemens	96306488	96306488	96847126	96306482
200	150	315	6	30	30	225M	Siemens	96306480	96306480	96847127	96306483
200	150	315	6	-	37	250M	Siemens	96306480	96306480	96847127	96306484
200	150	315	6	-	37	250M	MMG-G, EFF1 & EFF2	96306480	96306480	96847127	96810023
200	150	315	6	11.0	-	160L	-	96306488	96306488	96847126	96810021
200	150	315	6	15.0	-	180L	-	96306488	96306488	96847126	96306481
200	150	315.1	2	200	-	315L	-	96306480	96306480	96847127	96306484
200	150	315.1	2	160	-	315L	-	96306480	96306480	96847127	96306484
200	150	315.1	4	-	75	280S	-	96306480	96306480	96847127	96306485
200	150	315.1	4	-	55	250M	-	96306480	96306480	96847127	96306484
200	150	315.1	4	45	45	225M	-	96306480	96306480	96847127	96306483
200	150	315.1	4	37	37	225S	-	96306480	96306480	96847127	96306483
200	150	315.1	4	30	30	200L	-	96306488	96306488	96847126	96306482
200	150	315.1	4	22	-	180L	-	96306488	96306488	96847126	96306481
200	150	315.1	4	18.5	-	180M	-	96306488	96306488	96847126	96306481
200	150	315.1	6	-	22	200L	-	96306488	96306488	96847126	96306482
200	150	315.1	6	-	18.5	200L	-	96306488	96306488	96847126	96306482
200	150	315.1	6	15	15	180L	-	96306488	96306488	96847126	96306481
200	150	315.1	6	11	11	160L	-	96306488	96306488	96847126	96810021
200	150	315.1	6	7.5	7.5	160M	-	96306488	96306488	96847126	96810021

Pump type	Motor						Stub shaft	Split shaft	Motor bush		
	Poles	Power [kW]		Frame size	Make	Material code					
		50 Hz	60 Hz							A, B, C, D, E, F, G, H, S	A, B, C, D, E, F, G, H, S
200	150	315.1	6	5.5	-	132M	-	96306478	96306478	96847124	96810020
200	150	315.2	2	200	200	315L	-	96306480	96306480	96847127	96306484
200	150	315.2	2	160	160	315L	-	96306480	96306480	96847127	96306484
200	150	315.2	4	75	75	280S	-	96306480	96306480	96847127	96306485
200	150	315.2	4	55	55	250M	-	96306480	96306480	96847127	96306484
200	150	315.2	4	45	45	225M	-	96306480	96306480	96847127	96306483
200	150	315.2	4	37	37	225S	-	96306480	96306480	96847127	96306483
200	150	315.2	4	30	-	200L	-	96306488	96306488	96847126	96306482
200	150	315.2	4	22	-	180L	-	96306488	96306488	96847126	96306481
200	150	315.2	6	-	22	200L	-	96306488	96306488	96847126	96306482
200	150	315.2	6	18.5	18.5	200L	-	96306488	96306488	96847126	96306482
200	150	315.2	6	15	15	180L	-	96306488	96306488	96847126	96306481
200	150	315.2	6	11	11	160L	-	96306488	96306488	96847126	96810021
200	150	315.2	6	7.5	-	160M	-	96306488	96306488	96847126	96810021
200	150	400	4	55	-	250M	Siemens, MMG-E	96306480	96306480	96847127	96306484
200	150	400	4	55	-	250M	MMG-G, EFF1 & EFF2	96306480	96306480	96847127	96810023
200	150	400	4	75	-	280S	Siemens, MMG-E	96306480	96306480	96847127	96306485
200	150	400	4	75	-	280S	MMG-G, EFF1 & EFF2	96306480	96306480	96847127	96810023
200	150	400	4	90	90	280M	Siemens, MMG-E	96306480	96306480	96847127	96306485
200	150	400	4	90	90	280M	MMG-G, EFF1 & EFF2	96306480	96306480	96847127	96306486
200	150	400	4	110	110	315S	Siemens, MMG-E	96306480	96306480	96847127	96306486
200	150	400	4	110	110	315S	MMG-G, EFF1 & EFF2	96306480	96306480	96847127	96306486
200	150	400	4	132	132	315M	Siemens, MMG-E	96306480	96306480	96847127	96306486
200	150	400	4	132	132	315M	MMG-G, EFF1 & EFF2	96306480	96306480	96847127	96306487
200	150	400	4	160	160	315M	Siemens, MMG-E	96306480	96306480	96847127	96306486
200	150	400	4	160	160	315M	MMG-G, EFF1 & EFF2	96306480	96306480	96847127	96306487
200	150	400	4	-	200	315L	Siemens, MMG-E	96306480	96306480	96847127	96306486
200	150	400	4	-	200	315L	MMG-G, EFF1 & EFF2	96306480	96306480	96847127	96306487
200	150	400	6	18.5	-	200LA	Siemens	96306488	96306488	96847126	96306482
200	150	400	6	22	22	200LB	Siemens	96306488	96306488	96847126	96306482
200	150	400	6	30	30	225M	Siemens	96306480	96306480	96847127	96306483
200	150	400	6	37	37	250M	Siemens	96306480	96306480	96847127	96306484
200	150	400	6	37	37	250M	MMG-G, EFF1 & EFF2	96306480	96306480	96847127	96810023
200	150	400	6	45	45	280S	Siemens, MMG-E	96306480	96306480	96847127	96306485
200	150	400	6	45	45	280S	MMG-G, EFF1 & EFF2	96306480	96306480	96847127	96306486
200	150	400	6	-	55	280M	Siemens, MMG-E	96306480	96306480	96847127	96306485
200	150	400	6	-	55	280M	MMG-G (TECO)	96306480	96306480	96847127	96306486
200	150	400	6	-	75	315S	Siemens, MMG-E	96847130	96847130	96847130	96306487
200	150	400	6	-	75	280M	MMG-G (TECO)	96306480	96306480	96847127	96306487
200	150	400	6	-	75	280M	MMG-G (TECO)	96306480	96306480	96847127	96306487
200	150	500	4	132	-	315M	Siemens, MMG-E	96847130	96847130	96847130	96306486
200	150	500	4	132	-	315M	MMG-G, EFF1 & EFF2	96847130	96847130	96847130	96306487
200	150	500	4	160	-	315M	Siemens, MMG-E	96847130	96847130	96847130	96306486
200	150	500	4	160	-	315M	MMG-G, EFF1 & EFF2	96847130	96847130	96847130	96306487
200	150	500	4	200	200	315L	Siemens, MMG-E	96847130	96847130	96847130	96306486
200	150	500	4	200	200	315L	MMG-G, EFF1 & EFF2	96847130	96847130	96847130	96306487
200	150	500	6	37	-	250M	Siemens	96847130	96847130	96847130	96306484
200	150	500	6	37	-	250M	MMG-G, EFF1 & EFF2	96847130	96847130	96847130	96810023
200	150	500	6	45	-	280S	Siemens, MMG-E	96847130	96847130	96847130	96306485

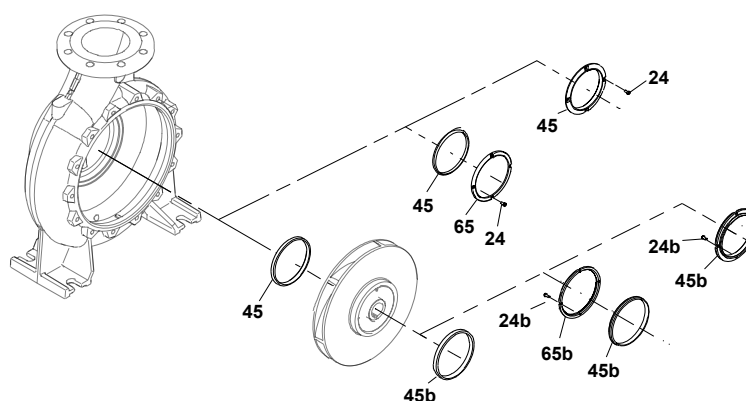
Pump type			Motor					Stub shaft	Split shaft	Motor bush		
			Poles	Power [kW]		Frame size	Make	Material code				
				50 Hz	60 Hz							A, B, C, D, E, F, G, H, S
200	150	500	6	45	-	280S	MMG-G, EFF1 & EFF2	-	96847130	96847130	96847130	96306486
200	150	500	6	55	55	280M	Siemens, MMG-E	-	96847130	96847130	96847130	96306485
200	150	500	6	55	55	280M	MMG-G (TECO)	-	96847130	96847130	96847130	96306486
200	150	500	6	75	75	280M	MMG-G (TECO)	-	96847130	96847130	96847130	96306487
200	150	500	6	75	75	280M	MMG-G (TECO)	-	96847130	96847130	96847130	96306487
200	150	500	6	-	90	315MA	Siemens, MMG-E	-	96847130	96847130	96847130	96306486
200	150	500	6	-	90	315MA	MMG-G, EFF1 & EFF2	-	96847130	96847130	96847130	96306487
200	150	500	6	-	110	315MB	Siemens, MMG-E	-	96847130	96847130	96847130	96306486
200	150	500	6	-	110	315MB	MMG-G, EFF1 & EFF2	-	96847130	96847130	96847130	96306487
200	150	500	6	-	132	315L	Siemens, MMG-E	-	96847130	96847130	96847130	96306486
200	150	500	6	-	132	315L	MMG-G, EFF1 & EFF2	-	96847130	96847130	96847130	96306487
250	200	400	4	37	-	225S		-	96306480	-	-	96306483
250	200	400	4	45	-	225M		-	96306480	-	-	96306483
250	200	400	4	55	55	250M	Siemens, MMG-E	-	96306480	-	-	96306484
250	200	400	4	55	55	250SC	MMG-G, EFF1 & EFF2	-	96306480	-	-	96810023
250	200	400	4	75	75	280S	Siemens, MMG-E	-	96306480	-	-	96306485
250	200	400	4	75	75	250MC	MMG-G, EFF1 & EFF2	-	96306480	-	-	96810023
250	200	400	4	90	90	280M	Siemens, MMG-E	-	96306480	-	-	96306485
250	200	400	4	90	90	280S	MMG-G, EFF1 & EFF2	-	96306480	-	-	96306486
250	200	400	4	110	110	315S	Siemens, MMG-E	-	96306480	-	-	96306486
250	200	400	4	110	110	280M	MMG-G, EFF1 & EFF2	-	96306480	-	-	96306487
250	200	400	4	132	132	315M	Siemens, MMG-E	-	96306480	-	-	96306486
250	200	400	4	132	132	315S	MMG-G, EFF1 & EFF2	-	96306480	-	-	96306487
250	200	400	4	-	160	315L	Siemens, MMG-E	-	96306480	-	-	96306486
250	200	400	4	-	160	315M	MMG-G, EFF1 & EFF2	-	96306480	-	-	96306487
250	200	400	4	-	200	315L	Siemens, MMG-E	-	96306480	-	-	96306486
250	200	400	4	-	200	315M	MMG-G, EFF1 & EFF2	-	96306480	-	-	96306487
250	200	400	6	15	-	180L		-	96306488	-	-	96306481
250	200	400	6	18.5	-	200L		-	96306488	-	-	96306482
250	200	400	6	22	22	200L		-	96306488	-	-	96306482
250	200	400	6	30	30	225M		-	96306480	-	-	96306483
250	200	400	6	37	37	250M		-	96306480	-	-	96306484
250	200	400	6	37	37	250S		-	96306480	-	-	96810023
250	200	400	6	-	45	280S	Siemens, MMG-E	-	96306480	-	-	96306485
250	200	400	6	-	45	250M	MMG-G, EFF1 & EFF2	-	96306480	-	-	96810023
250	200	400	6	-	55	280M	Siemens, MMG-E	-	96306480	-	-	96306485
250	200	400	6	-	55	280S	MMG-G, EFF1 & EFF2	-	96306480	-	-	96306486
250	200	450	4	75	75	280S	Siemens, MMG-E	-	96306480	-	-	96306485
250	200	450	4	75	75	250MC	MMG-G, EFF1 & EFF2	-	96306480	-	-	96810023
250	200	450	4	90	90	280M	Siemens, MMG-E	-	96306480	-	-	96306485
250	200	450	4	90	90	280S	MMG-G, EFF1 & EFF2	-	96306480	-	-	96306486
250	200	450	4	110	110	315S	Siemens, MMG-E	-	96306480	-	-	96306486
250	200	450	4	110	110	280M	MMG-G, EFF1 & EFF2	-	96306480	-	-	96306486
250	200	450	4	132	132	315M	Siemens, MMG-E	-	96306480	-	-	96306486
250	200	450	4	132	132	315S	MMG-G, EFF1 & EFF2	-	96306480	-	-	96306487
250	200	450	4	160	160	315L	Siemens, MMG-E	-	96306480	-	-	96306486
250	200	450	4	160	160	315M	MMG-G, EFF1 & EFF2	-	96306480	-	-	96306487
250	200	450	4	-	200	315L	Siemens, MMG-E	-	96306480	-	-	96306486
250	200	450	4	-	200	315M	MMG-G, EFF1 & EFF2	-	96306480	-	-	96306487

Pump type	Motor							Stub shaft	Split shaft			Motor bush
	Poles	Power [kW]		Frame size	Make							
		50 Hz	60 Hz					Material code				
		A, B, C, D, E, F, G, H, S	A, B, C, D, E, F, G, H, S	K, M, N, P	I, J, L, R, T, U, W							
250	200	450	4	-	288	315L	Siemens	-	96306480	-	-	96306487
250	200	450	4	-	250	355M	MMG-E	-	96306480	-	-	96810026
250	200	450	4	-	250	315C	MMG-G, EFF1 & EFF2	-	96306480	-	-	96810026
250	200	450	6	18.5	-	200L		-	96306488	-	-	96306482
250	200	450	6	22	-	200L		-	96306488	-	-	96306482
250	200	450	6	30	-	225M		-	96306480	-	-	96306483
250	200	450	6	37	37	250M	Siemens, MMG-E	-	96306480	-	-	96306484
250	200	450	6	37	37	250S	MMG-G, EFF1 & EFF2	-	96306480	-	-	96810023
250	200	450	6	45	45	280S	Siemens, MMG-E	-	96306480	-	-	96306485
250	200	450	6	45	45	250M	MMG-G, EFF1 & EFF2	-	96306480	-	-	96810023
250	200	450	6	-	55	280M	Siemens, MMG-E	-	96306480	-	-	96306485
250	200	450	6	-	55	280S	MMG-G, EFF1 & EFF2	-	96306480	-	-	96306486
250	200	450	6	-	75	315S	Siemens, MMG-E	-	96306480	-	-	96306486
250	200	450	6	-	75	280M	MMG-G, EFF1 & EFF2	-	96306480	-	-	96306486
250	200	450	6	-	90	315M	Siemens, MMG-E	-	96306480	-	-	96306486
250	200	450	6	-	90	315S	MMG-G, EFF1 & EFF2	-	96306480	-	-	96306487
300	250	350	4	37	-	225S		-	96306480	-	-	96306483
300	250	350	4	45	-	225M		-	96306480	-	-	96306483
300	250	350	4	55	-	250M		-	96306480	-	-	96306484
300	250	350	4	55	-	250SC		-	96306480	-	-	96810023
300	250	350	4	75	75	280S	Siemens, MMG-E	-	96306480	-	-	96306485
300	250	350	4	75	75	250MC	MMG-G, EFF1 & EFF2	-	96306480	-	-	96810023
300	250	350	4	90	90	280M	Siemens, MMG-E	-	96306480	-	-	96306485
300	250	350	4	90	90	280S	MMG-G, EFF1 & EFF2	-	96306480	-	-	96306486
300	250	350	4	-	110	315S	Siemens, MMG-E	-	96306480	-	-	96306486
300	250	350	4	-	110	280M	MMG-G, EFF1 & EFF2	-	96306480	-	-	96306486
300	250	350	4	-	132	315M	Siemens, MMG-E	-	96306480	-	-	96306486
300	250	350	4	-	132	315S	MMG-G, EFF1 & EFF2	-	96306480	-	-	96306487
300	250	350	6	11	-	160L		-	96306488	-	-	96810021
300	250	350	6	15	-	180L		-	96306488	-	-	96306481
300	250	350	6	18.5	-	200L		-	96306488	-	-	96306482
300	250	350	6	22	22	200L		-	96306488	-	-	96306482
300	250	350	6	-	30	225M		-	96306480	-	-	96306483
300	250	350	6	-	37	250M	Siemens, MMG-E	-	96306480	-	-	96306484
300	250	350	6	-	37	250S	MMG-G, EFF1 & EFF2	-	96306480	-	-	96810023
300	250	350	6	-	45	280S	Siemens, MMG-E	-	96306480	-	-	96306485
300	250	350	6	-	45	250M	MMG-G, EFF1 & EFF2	-	96306480	-	-	96810023
300	250	400	4	45	-	225M		-	96306480	-	-	96306483
300	250	400	4	55	-	250M	Siemens, MMG-E	-	96306480	-	-	96306484
300	250	400	4	55	-	250SC	MMG-G, EFF1 & EFF2	-	96306480	-	-	96810023
300	250	400	4	75	75	280S	Siemens, MMG-E	-	96306480	-	-	96306485
300	250	400	4	75	75	250MC	MMG-G, EFF1 & EFF2	-	96306480	-	-	96810023
300	250	400	4	90	90	280M	Siemens, MMG-E	-	96306480	-	-	96306485
300	250	400	4	90	90	280S	MMG-G, EFF1 & EFF2	-	96306480	-	-	96306486
300	250	400	4	110	110	315S	Siemens, MMG-E	-	96306480	-	-	96306486
300	250	400	4	110	110	280M	MMG-G, EFF1 & EFF2	-	96306480	-	-	96306486
300	250	400	4	132	132	315M	Siemens, MMG-E	-	96306480	-	-	96306486
300	250	400	4	132	132	315S	MMG-G, EFF1 & EFF2	-	96306480	-	-	96306487
300	250	400	4	160	160	315L	Siemens, MMG-E	-	96306480	-	-	96306486

Pump type	Motor								Stub shaft	Split shaft	Motor bush	
	Poles	Power [kW]		Frame size	Make							
		50 Hz	60 Hz									Material code
		A, B, C, D, E, F, G, H, S	A, B, C, D, E, F, G, H, S	K, M, N, P	I, J, L, R, T, U, W							
300	250	400	4	160	160	315M	MMG-G, EFF1 & EFF2	-	96306480	-	-	96306487
300	250	400	4	-	200	315L	Siemens, MMG-E	-	96306480	-	-	96306486
300	250	400	4	-	200	315M	MMG-G, EFF1 & EFF2	-	96306480	-	-	96306487
300	250	400	4	-	288	315L	Siemens	-	96306480	-	-	96306487
300	250	400	4	-	250	355M	MMG-E	-	96306480	-	-	96810026
300	250	400	4	-	250	315C	MMG-G, EFF1 & EFF2	-	96306480	-	-	96810026
300	250	400	6	15	-	180L		-	96306488	-	-	96306481
300	250	400	6	18.5	-	200L		-	96306488	-	-	96306482
300	250	400	6	22	-	200L		-	96306488	-	-	96306482
300	250	400	6	30	30	225M		-	96306480	-	-	96306483
300	250	400	6	37	37	250M	Siemens, MMG-E	-	96306480	-	-	96306484
300	250	400	6	37	37	250S	MMG-G, EFF1 & EFF2	-	96306480	-	-	96810023
300	250	400	6	45	45	280S	Siemens, MMG-E	-	96306480	-	-	96306485
300	250	400	6	45	45	250M	MMG-G, EFF1 & EFF2	-	96306480	-	-	96810023
300	250	400	6	-	55	280M	Siemens, MMG-E	-	96306480	-	-	96306485
300	250	400	6	-	55	280S	MMG-G, EFF1 & EFF2	-	96306480	-	-	96306486
300	250	400	6	-	75	315S	Siemens, MMG-E	-	96306480	-	-	96306486
300	250	400	6	-	75	280M	MMG-G, EFF1 & EFF2	-	96306480	-	-	96306486
300	250	400	6	-	90	315M	Siemens, MMG-E	-	96306480	-	-	96306486
300	250	400	6	-	90	315S	MMG-G, EFF1 & EFF2	-	96306480	-	-	96306487
300	250	450	4	75	-	280S	Siemens, MMG-E	-	96847130	-	-	96306485
300	250	450	4	75	-	250M	MMG-G, EFF1 & EFF2	-	96847130	-	-	96810023
300	250	450	4	90	-	280M	Siemens, MMG-E	-	96847130	-	-	96306485
300	250	450	4	90	-	280S	MMG-G, EFF1 & EFF2	-	96847130	-	-	96306486
300	250	450	4	110	110	315S	Siemens, MMG-E	-	96847130	-	-	96306486
300	250	450	4	110	110	280M	MMG-G, EFF1 & EFF2	-	96847130	-	-	96306486
300	250	450	4	132	132	315M	Siemens, MMG-E	-	96847130	-	-	96306486
300	250	450	4	132	132	315S	MMG-G, EFF1 & EFF2	-	96847130	-	-	96306487
300	250	450	4	160	160	315L	Siemens, MMG-E	-	96847130	-	-	96306486
300	250	450	4	160	160	315M	MMG-G, EFF1 & EFF2	-	96847130	-	-	96306487
300	250	450	4	200	200	315L	Siemens, MMG-E	-	96847130	-	-	96306486
300	250	450	4	200	200	315M	MMG-G, EFF1 & EFF2	-	96847130	-	-	96306487
300	250	450	4	-	288	315L	Siemens	-	96306480	-	-	96306487
300	250	450	4	-	250	355M	MMG-E	-	96306480	-	-	96810026
300	250	450	4	-	250	315C	MMG-G, EFF1 & EFF2	-	96306480	-	-	96810026
300	250	450	4	-	362	315L	Siemens	-	96847130	-	-	96306487
300	250	450	4	-	315	355L	MMG-E	-	96847130	-	-	96810026
300	250	450	4	-	315	315D	MMG-G, EFF1 & EFF2	-	96847130	-	-	96810026
300	250	450	6	18.5	-	200L		-	96847130	-	-	96306482
300	250	450	6	22	-	200L		-	96847130	-	-	96306482
300	250	450	6	30	-	225M		-	96847130	-	-	96306483
300	250	450	6	37	37	250M	Siemens, MMG-E	-	96847130	-	-	96306484
300	250	450	6	37	37	250S	MMG-G, EFF1 & EFF2	-	96847130	-	-	96810023
300	250	450	6	45	45	280S	Siemens, MMG-E	-	96847130	-	-	96306485
300	250	450	6	45	45	250M	MMG-G, EFF1 & EFF2	-	96847130	-	-	96810023
300	250	450	6	55	55	280M	Siemens, MMG-E	-	96847130	-	-	96306485
300	250	450	6	55	55	280S	MMG-G, EFF1 & EFF2	-	96847130	-	-	96306486
300	250	450	6	-	75	315S	Siemens, MMG-E	-	96847130	-	-	96306486
300	250	450	6	-	75	280M	MMG-G, EFF1 & EFF2	-	96847130	-	-	96306486

Pump type	Motor							Stub shaft	Split shaft	Motor bush		
	Poles	Power [kW]		Frame size	Make							
		50 Hz	60 Hz								Material code	
		A, B, C, D, E, F, G, H, S	A, B, C, D, E, F, G, H, S	K, M, N, P	I, J, L, R, T, U, W							
300	250	450	6	-	90	315M	Siemens, MMG-E	-	96847130	-	-	96306486
300	250	450	6	-	90	315S	MMG-G, EFF1 & EFF2	-	96847130	-	-	96306487
300	250	450	6	-	110	315L	Siemens, MMG-E	-	96847130	-	-	96306486
300	250	450	6	-	110	315M	MMG-G, EFF1 & EFF2	-	96847130	-	-	96306487
300	250	500	4	160	-	315L	Siemens, MMG-E	-	96847130	-	-	96306486
300	250	500	4	160	-	315M	MMG-G, EFF1 & EFF2	-	96847130	-	-	96306487
300	250	500	4	200	-	315L	Siemens, MMG-E	-	96847130	-	-	96306486
300	250	500	4	200	-	315M	MMG-G, EFF1 & EFF2	-	96847130	-	-	96306487
300	250	500	4	-	288	315	Siemens	-	96847130	-	-	96306487
300	250	500	4	-	250	355M	MMG-E	-	96847130	-	-	96810026
300	250	500	4	-	250	315C	MMG-G, EFF1 & EFF2	-	96847130	-	-	96810026
300	250	500	4	-	362	315	Siemens	-	96847130	-	-	96306487
300	250	500	4	-	315	355L	MMG-E	-	96847130	-	-	96810026
300	250	500	4	-	408	355	Siemens	-	96847130	-	-	96810026
300	250	500	4	-	460	355	Siemens	-	96847130	-	-	96810026
300	250	500	6	45	-	280S	Siemens, MMG-E	-	96847130	-	-	96306485
300	250	500	6	45	-	250M	MMG-G, EFF1 & EFF2	-	96847130	-	-	96810023
300	250	500	6	55	-	280M	Siemens, MMG-E	-	96847130	-	-	96306485
300	250	500	6	55	-	280S	MMG-G, EFF1 & EFF2	-	96847130	-	-	96306486
300	250	500	6	75	75	315S	Siemens, MMG-E	-	96847130	-	-	96306486
300	250	500	6	75	75	280M	MMG-G, EFF1 & EFF2	-	96847130	-	-	96306486
300	250	500	6	90	90	315M	Siemens, MMG-E	-	96847130	-	-	96306486
300	250	500	6	90	90	315S	MMG-G, EFF1 & EFF2	-	96847130	-	-	96306487
300	250	500	6	-	110	315L	Siemens, MMG-E	-	96847130	-	-	96306486
300	250	500	6	-	110	315M	MMG-G, EFF1 & EFF2	-	96847130	-	-	96306487
300	250	500	6	-	132	315L	Siemens, MMG-E	-	96847130	-	-	96306486
300	250	500	6	-	132	315M	MMG-G, EFF1 & EFF2	-	96847130	-	-	96306487
300	250	500	6	-	160	315L	Siemens	-	96847130	-	-	96306486
300	250	500	6	-	160	355M	MMG-E	-	96847130	-	-	96306486
300	250	500	6	-	160	315C	MMG-G, EFF1 & EFF2	-	96847130	-	-	96810026

Wear ring



TM044731

Material code: A, B, C, D, E, F, G, H, S, T		Material code: J, N, P, R, W		Material code: I, K, L, M, U	
Pos. 45	Pos. 45b	Pos. 45	Pos. 45b	Pos. 45	Pos. 45b
45: 1 x wear ring	45b: 1 x wear ring	45: 1 x wear ring 65: 1 x wear ring retainer 24: 4 x screw	45b: 1 x wear ring 65b: 1 x wear ring retainer 24b: 4 x screw	45: 1 x wear ring 24: 4 x screw	45b: 1 x wear ring 24b: 4 x screw

Material code A, B, C, D, E, F, G, H, S, T (pump housing material cast iron)

The material code can be found in the type designation on the nameplate.

NBG 50-32 -125 .1 /142 A -F(A)-BAQE

Pump type	Wear ring inner diameter [mm]	Wear ring material				
		Bronze/Brass		GG		
		A, B, C, D, E, F, G, H, S, T	A, B, C, D, E, F, G, H, S, T	A, B, C, D, E, F, G, H, S, T	A, B, C, D, E, F, G, H, S, T	
Pos. 45	Pos. 45b	Pos. 45	Pos. 45b	Pos. 45	Pos. 45b	
50-32-	125.1	96810099	-	-	-	-
	160.1	96810098	-	-	-	-
	200.1	96810099	-	-	-	-
	125	96810099	-	-	-	-
	160	96810099	96810102	-	-	-
	200	96810099	96810102	-	-	-
	250	96810099	96810103	-	-	-
65-50-	125	96810100	96810102	-	-	-
	160	96810100	96810102	-	-	-
	200	96810100	96810102	-	-	-
65-40-	250	96810100	96810103	-	-	-
	315	96810102	96797628	-	-	-
80-65-	125	96810102	96810102	-	-	-
	160	96810102	96810102	-	-	-
	200	96810102	96810102	-	-	-
80-50-	250	96810102	96810103	-	-	-
	315	96810103	96797628	-	-	-
100-80-	125	96810103	96810102	-	-	-
	160	96810103	96810104	-	-	-

Pump type	Wear ring inner diameter [mm]		Wear ring material				
			Bronze/Brass		GG		
	Pos. 45	Pos. 45b	A, B, C, D, E, F, G, H, S, T	A, B, C, D, E, F, G, H, S, T	Pos. 45	Pos. 45b	
100-65-	200		96810103	96810104	-	-	
	250		96810105	96797628	-	-	
	315		96810105	96797628	-	-	
125-80-	160		96810106	96810104	-	-	
	200		96797626	96797628	-	-	
	250		96797626	96797628	-	-	
	315		96797626	96797628	-	-	
125-100-	160		96810107	96810104	-	-	
	200	174	154	96810108	96797628	-	-
	200	154	154	96797628	96797628	-	-
	250			96797628	96797628	-	-
	315			96797628	96797628	-	-
150-125-	400			96810109	96810109	-	-
	200			96810108	96797628	-	-
	250			96810109	96810109	-	-
	315			96810109	96797628	-	-
	400			96810109	96810109	-	-
200-150-	500			96810109	96810112	-	-
	200			96810110	96810109	-	-
	250	210	185	96810111	96810109	-	-
	250	185	185	96810109	96810109	-	-
	315.1			96810111	96810112	-	-
	315.2			96810111	96810112	-	-
250-200-	315			96810111	96810112	-	-
	400			96810112	96810112	-	-
	500			96810112	96810112	-	-
	400			96939611	96939611	96939606	96939609
300-250-	450			96939612	96939612	96939607	96939607
	350			96939613	96939615	96939608	96939607
	400			96939615	96939615	96939607	96939607
	450			96939614	96939614	96939607	96939607
	500			96939615	96939615	96939610	96939610

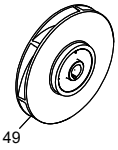
Note: Oversize pumps use the same wear ring as standard pumps.

Material code I, J, K, L, M, N, P, R, W, U (pump housing material 1.4517 and 1.4408)

Pump type	Wear ring inner diameter [mm]		Material code				Material code					
			J, N, P, R, W				I, K, L, M, U					
			ACS approval		-		-		-		Yes	
			Wear ring material	Carbon-graphite-filled PTFE	Carbon-graphite-filled PTFE	Carbon-graphite-filled PTFE	1.4517	1.4517	1.4517	1.4517		
Screw		1.4539		1.4401		1.4539		1.4401				
	Pos. 45	Pos. 45b	Pos. 45	Pos. 45b	Pos. 45	Pos. 45b	Pos. 45	Pos. 45b	Pos. 45	Pos. 45b		
50-32 -	125.1		96810113	96774200	96810114	96810117	96810134	96810138	96810135	96810139		
	160.1		97939262	96774200	97939263	96810117	97939264	96810138	97939265	96810139		
	200.1		97939262	96774200	97939263	96810117	97939264	96810138	97939265	96810139		
	125		96810113	96774200	96810114	96810117	96810134	96810138	96810135	96810139		
	160		96810113	96774200	96810114	96810117	96810134	96810138	96810135	96810139		
	200		96810113	96774200	96810114	96810117	96810134	96810138	96810135	96810139		
	250		96810113	96810120	96810114	96810121	96810134	96810142	96810135	96810143		
65-50-	125		96774200	96774200	96810117	96810117	96810138	96810138	96810139	96810139		
	160		96810115	96774200	96810116	96810117	96810136	96810138	96810137	96810139		
65-40-	200		96810115	96774200	96810116	96810117	96810136	96810138	96810137	96810139		
	250		96810115	96810120	96810116	96810121	96810136	96810142	96810137	96810143		
80-65-	315		96774200	96810130	96810117	96810131	96810138	96810152	96810139	96810153		
	125		96810120	96774200	96810121	96810117	96810142	96810138	96810143	96810139		
80-50-	160		96774200	96774200	96810117	96810117	96810138	96810138	96810139	96810139		
	200		96774200	96774200	96810117	96810117	96810138	96810138	96810139	96810139		
100-80-	250		96774200	96810120	96810117	96810121	96810138	96810142	96810139	96810143		
	315		96810120	96810130	96810121	96810131	96810142	96810152	96810143	96810153		
100-65-	125		96810120	96774200	96810121	96810117	96810142	96810138	96810143	96810139		
	160		96810120	96810124	96810121	96810125	96810142	96810146	96810143	96810147		
125-80-	200		96810113	96810120	96810114	96810121	96810134	96810142	96810135	96810143		
	250		96810124	96810130	96810125	96810131	96810146	96810152	96810147	96810153		
125-100-	315		96810124	96810130	96810125	96810131	96810146	96810152	96810147	96810153		
	160		96810124	96810128	96810125	96810129	96810146	96810150	96810147	96810151		
150-125-	200		96810113	96810130	96810114	96810121	96810134	96810142	96810135	96810143		
	250		96810124	96810130	96810125	96810131	96810146	96810152	96810147	96810153		
200-150-	315		96810128	96810130	96810129	96810131	96810150	96810152	96810151	96810153		
	400.1		96810128	96810132	96810129	96810133	96810150	96810154	96810151	96810155		
200-150-	400		96810128	96810132	96810129	96810133	96810150	96810154	96810151	96810155		
	160		96810118	96810124	96810119	96810125	96810148	96810146	96810149	96810147		
200-150-	200		96810130	96810130	96810131	96810131	96810152	96810152	96810153	96810153		
	250		96810130	96810130	96810131	96810131	96810152	96810152	96810153	96810153		
200-150-	315		96810130	96810130	96810131	96810131	96810152	96810152	96810153	96810153		
	400		96810132	96810132	96810133	96810133	96810154	96810154	96810155	96810155		
200-150-	200	174 154	97939252	96810130	97939253	96810131	97939254	96810152	97939255	96810153		
	200	154 154	96810130	96810130	96810131	96810131	96810152	96810152	96810153	96810153		
200-150-	250		96810132	96810132	96810133	96810133	96810154	96810154	96810155	96810155		
	315		96810132	96810130	96810133	96810131	96810154	96810152	96810155	96810153		
200-150-	400		96810132	96810132	96810133	96810133	96810154	96810154	96810155	96810155		
	500		96810132	96810132	96810133	96810133	96810154	96810154	96810155	96810155		
200-150-	200		97939256	96810132	97939257	96810133	97939258	96810154	97939259	96810155		
	250	210 185	96887266	96810132	96887264	96810133	96887262	96810154	96887255	96810155		
200-150-	250	185 185	96810132	96810132	96810133	96810133	96810154	96810154	96810155	96810155		
	315.1		97739720	96887266	97739719	96887264	97739717	96887262	97739700	96887255		
200-150-	315.2		97739720	96887266	97739719	96887264	97739717	96887262	97739700	96887255		
	315		97739720	96887266	97739719	96887264	97739717	96887262	97739700	96887255		
200-150-	400		97739720	97739720	97739719	97739719	97739717	97739717	97739700	97739700		
	500		97739720	97739720	97739719	97739719	97739717	97739717	97739700	97739700		

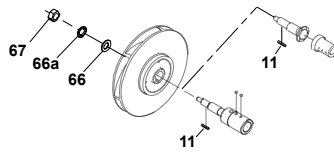
Pump type	Wear ring inner diameter [mm]	Material code				J, N, P, R, W				I, K, L, M, U			
		ACS approval		-		-		-		Yes			
		Wear ring material	Carbon-graphite-filled PTFE	Carbon-graphite-filled PTFE	Carbon-graphite-filled PTFE	1.4517	1.4517						
		Screw	1.4539	1.4401	1.4539	1.4401							
Pos. 45	Pos. 45b	Pos. 45	Pos. 45b	Pos. 45	Pos. 45b	Pos. 45	Pos. 45b	Pos. 45	Pos. 45b				
250-200-	400	-	-	-	-	-	-	-	-	-			
	450	-	-	-	-	-	-	-	-	-			
300-250-	350	-	-	-	-	-	-	-	-	-			
	400	-	-	-	-	-	-	-	-	-			
	450	-	-	-	-	-	-	-	-	-			
	500	-	-	-	-	-	-	-	-	-			

Impeller



Find the impeller in Grundfos Product Center, and contact your local sales company.

Nut, washer and key for impeller



TM0044730

Material code:

A, B, C, D, E, F, G, H, K, M, N, P, S

11:1 x key

67:1 x nut

66a:1 x lock washer

66:1 x washer

Material code:

I, J, L, R, T, U, W

11:1 x key

67:1 x nut

66a:1 x lock washer

66:1 x washer

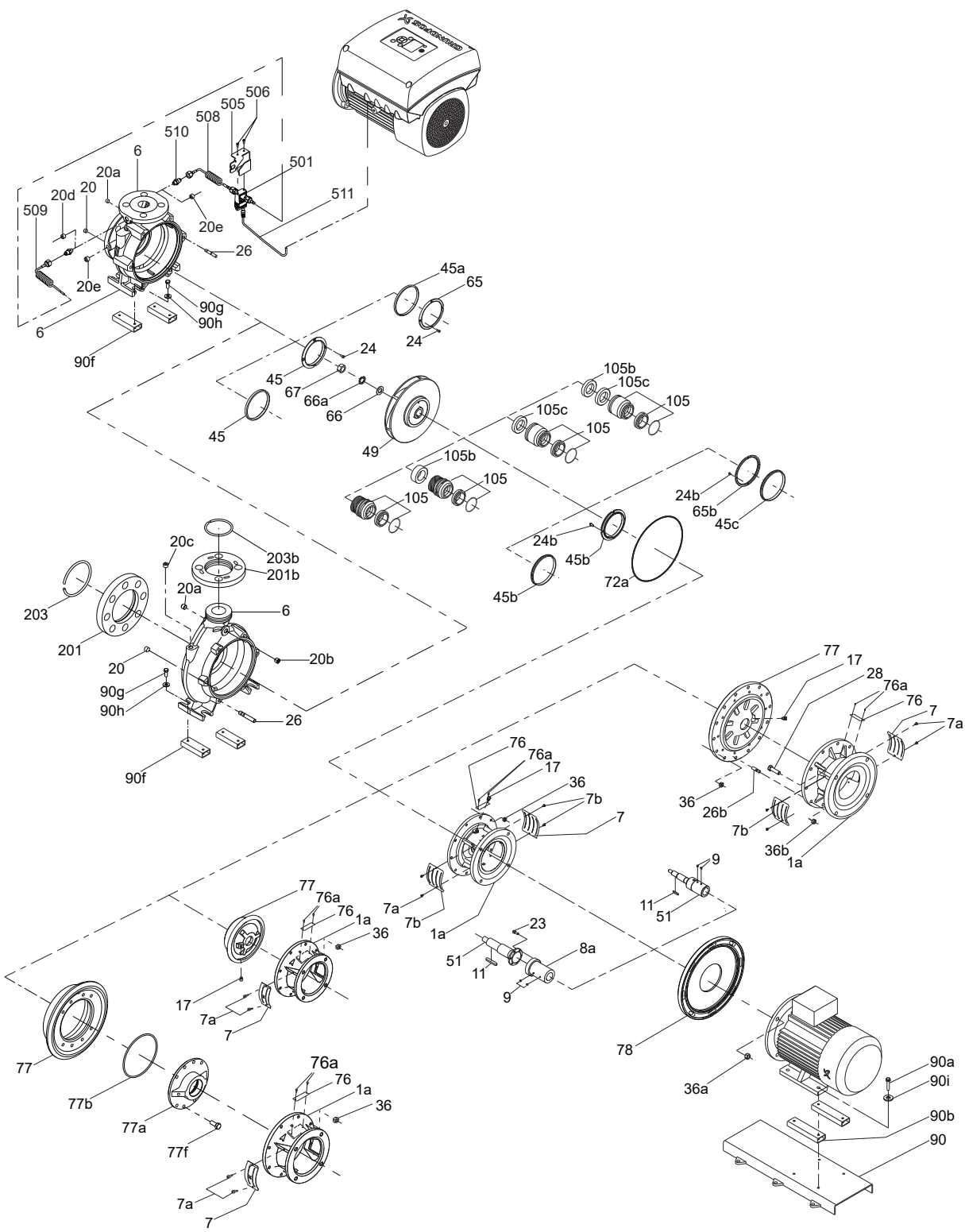
The material code can be found in the type designation on the nameplate.

NBG 50-32 -125 .1 /142 A -F-A-BAQE

Pump type	Shaft seal dia.	Material code		
		A, B, C, D, E, F, G, H, K, M, N, P, S	I, J, L, R, T, U, W	
50-32-	125.1	28	96939128	96939129
	160.1	28	96939128	96939129
	200.1	28	96939128	96939129
	125	28	96939128	96939129
	160	28	96939128	96939129
	200	28	96939128	96939129
	250	38	96939130	96939131
65-50-	125	28	96939128	96939129
	160	28	96939128	96939129
65-40-	200	28	96939128	96939129
	250	38	96939130	96939131
80-65-	315	38	96939130	96939131
	125	28	96939128	96939129
80-50-	160	28	96939128	96939129
	200	28	96939128	96939129
100-80-	250	38	96939130	96939131
	315	38	96939130	96939131
100-65-	125	28	96939128	96939129
	160	38	96939130	96939131
125-80-	200	38	96939130	96939131
	250	38	96939130	96939131
	315	48	96939132	96939133
	160	38	96939130	96939131
	200	38	96939130	96939131
125-100-	250	38	96939130	96939131
	315	48	96939132	96939133
	400	48	96939132	96939133
	400 ¹⁶⁾	55	96939134	96939135
	160	38	96939130	96939131
150-125-	200	38	96939130	96939131
	250	48	96939132	96939133
	315	48	96939132	96939133
	400	48	96939132	96939133
200-150-	500	60	96939137	96939138
	200	38	96939130	96939131
	250	48	96939132	96939133
	315.1	55	96939134	96939135
	315.2	55	96939134	96939135
250-200-	315	55	96939134	96939135
	400	55	96939134	96939135
	500	60	96939137	96939138
	400	55	96939134	96939135
300-250-	450	55	96939134	96939135
	350	55	96939134	96939135
	400	55	96939134	96939135
300-250-	450	60	96939137	96939138
	500	60	96939137	96939138

¹⁶ For 2-pole model only.

1)



TM036013

Exploded view