

32. Hydro Multi-E

50/60 Hz

Controller card

Not applicable for Hydro Multi-E systems fitted with permanent-magnet MGE motors.

Pos.	Description	1ph	3ph
	Kit No	97959292	96086148
-	PC board	1	1

GENibus card, external

Pos.	Description / Kit No	
-	PC board	96020339
		1

GENibus card, internal

Not applicable for Hydro Multi-E systems fitted with permanent-magnet MGE motors.

O-ring and gasket

Pos.	Description	Type	CM1/3	CM5	CM10	CM15
			Kit No	97896843	97896844	97896845
414	O-ring for pump (inlet/outlet)	EPDM	1	1	1	1
415	Gasket for PJE coupling	EPDM	1	1	1	1
416	Gasket for manifold	EPDM	-	-	1	1

Sensor

Pos.	Description	1 bar	6 bar	10 bar	16 bar
		Kit No	96637449	96637451	96637452
461	Pressure sensor 4-20 mA	1	1	1	1

Pressure gauge

Pos.	Description	10 bar	16 bar
		Kit No	97896856
462	Pressure gauge	1	1

Pos.	Description / Kit No	96086146
-	PC board	1

Level switch

Pos.	Description / Kit No	010184
1	Level switch, 5 m cable	1

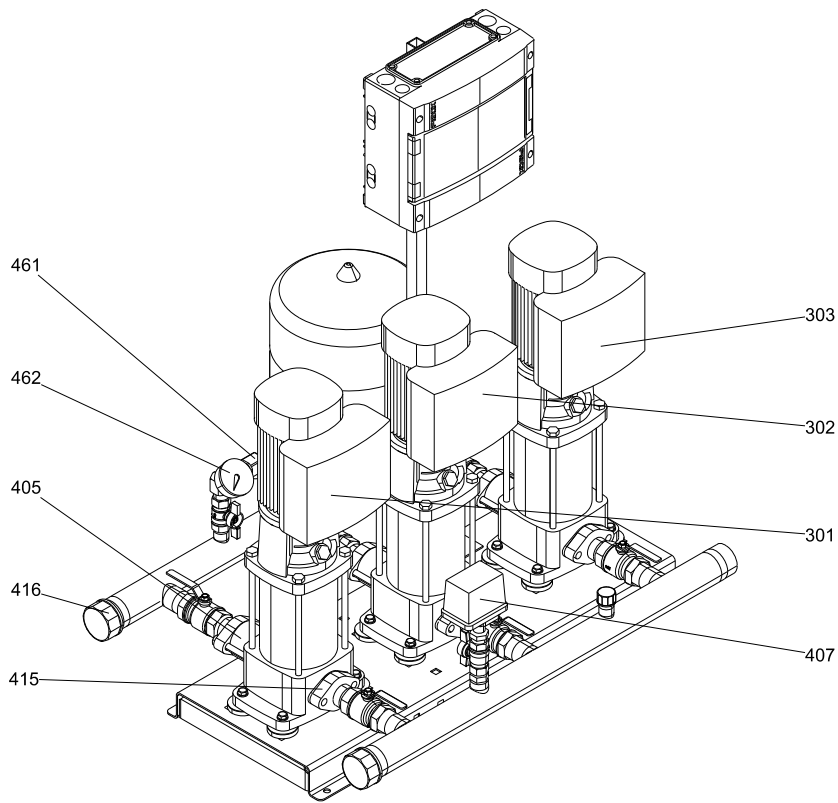
Non-return valve

Pos.	Description	DN 32	DN 40	DN 50
		Kit No	96637443	96637444
405	Non-return valve	1	1	1

Pressure switch

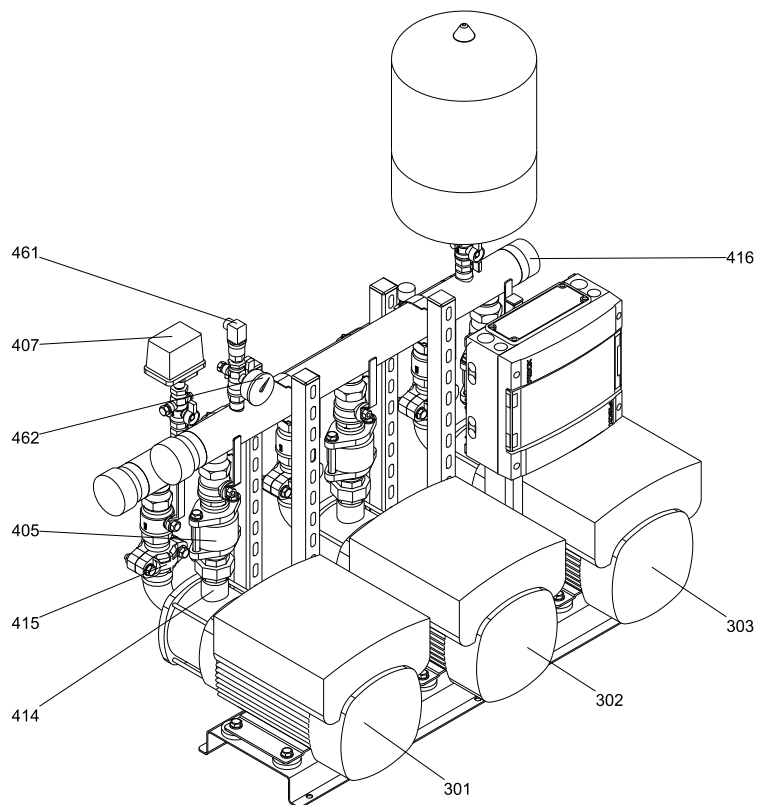
Pos.	Description	1 bar
		Kit No
407	Pressure switch, 1-phase 2-pole	1

Hydro Multi-E with CR(I)E pumps



TM052353

Hydro Multi-E with CME pumps



TM052210