

25. DP, EF AUTO ADAPT

50 Hz

Clamp

Pos.	Type	0.6-1.5 kW	2.6 kW
92	Kit No	96592050	96592054

Impeller

Pos.	Description	EF				DP		
		0.6 kW	0.9 kW	1.1 kW	1.5 kW	0.9 kW	1.5 kW	2.6 kW
		Kit No	96115101	96115109	96115102	96115103	96115104	96115105
9a	Key	1	1	1	1	1	1	1
49	Impeller	1	1	1	1	1	1	1
188a	Screw	1	1	1	1	1	1	1

O-ring

Pos.	Description	0.6 - 1.5 kW		2.6 kW	
		NBR	FKM	NBR	FKM
		Kit No	96115107	96646049	96115108
26a	O-ring	1	1	1	1
37	O-ring	1	1	1	1
37a	O-ring	2	2	2	2
102	O-ring	2	2	2	2
107	O-ring	1	1	1	1
159	O-ring	1	1	1	1
185	O-ring	1	1	1	1
187	O-ring	1	1	1	1
194	Sealing washer	2	2	2	2
198	O-ring	1	1	1	1
532	Silica gel	1	1	1	1

Shaft seal

Pos.	Description	0.6-1.5 kW		2.6 kW	
		BQQP	BQQV	BQQP	BQQV
		Kit No	96106536	96645161	96076123
9a	Key	1	1	1	1
58	Shaft seal retainer	1	1	-	-
66	Lock washer	1	1	1	1
105a	Shaft seal cartridge	1	1	1	1
106	O-ring	-	-	2	2
107	O-ring	2	2	1	1
112a	Retaining ring	-	-	1	1
153a	Retaining ring	-	-	1	1
188a	Screw	1	1	1	1
194	Sealing washer	2	2	2	2

SmartSeal

Pos.	Description	Rp 2"/NPT 2"		DN 65		DN 65/80	
		Rubber type	NBR	NBR	FKM	NBR	FKM
		Kit No	97771488	96575022	96659160	96575023	96659161
-	SmartSeal for guide shoe	1	1	1	1	1	

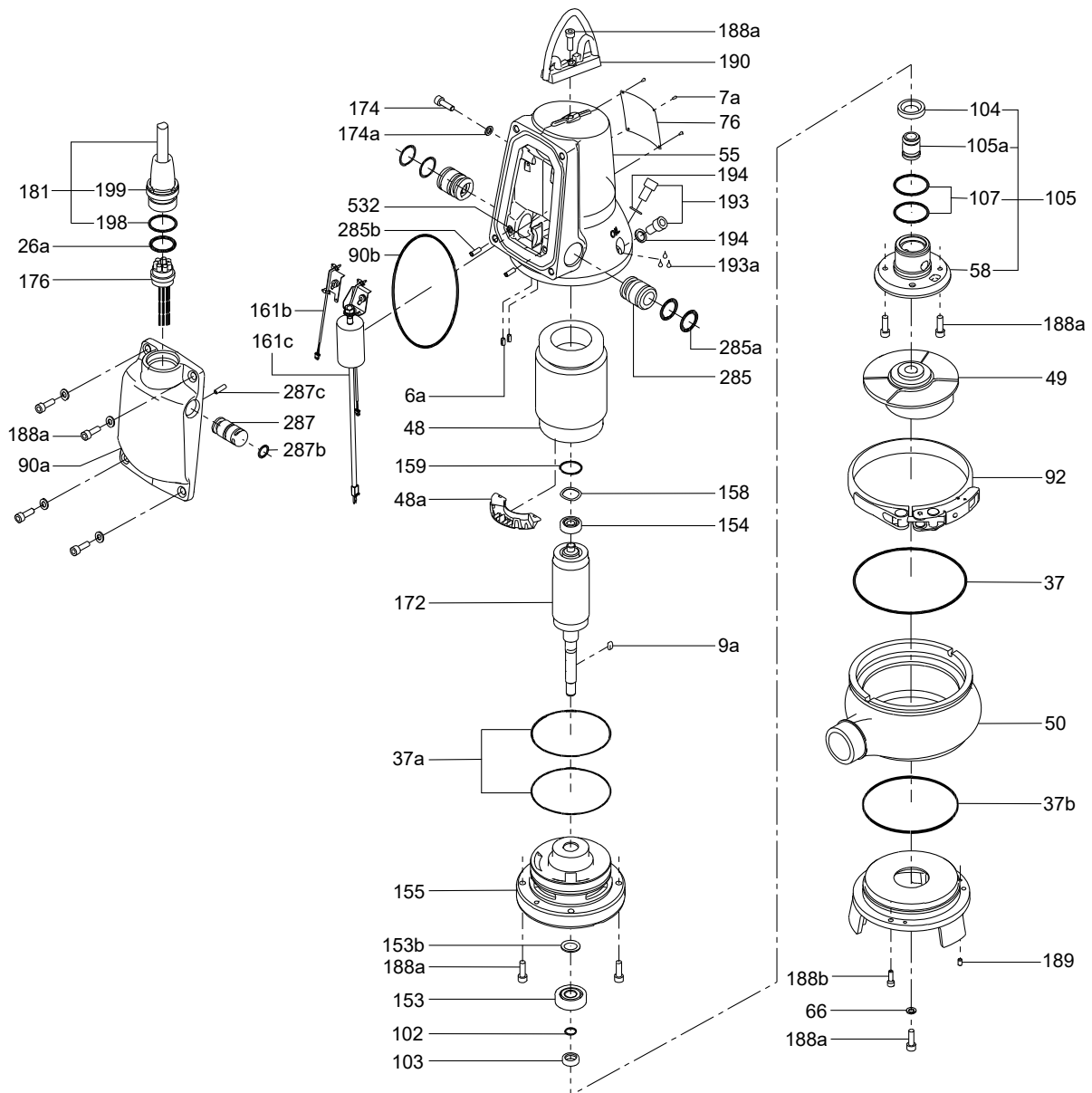
Sphere for hook-up

Description		DN 50/Rp 2"	
Pos.	Rubber type	NBR	FKM
	Kit No	96592034	96657778
-	Sphere for hook-up	1	1

Upper guide rail holder

Description		DN 40/Rp 2"	DN 65/80
Pos.	Kit No	96829356	96592037
-	Upper guide rail holder	1	1

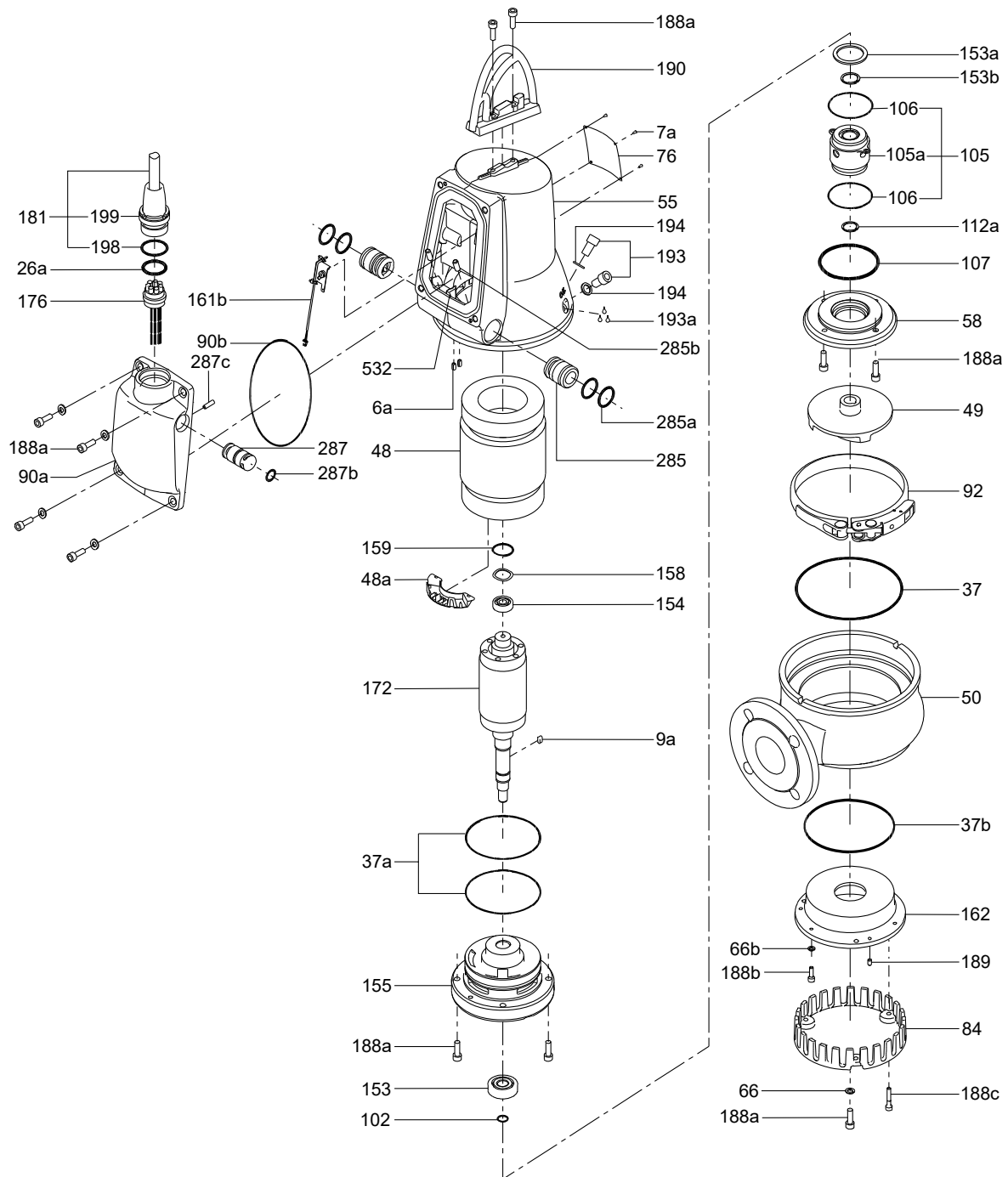
EF 0.6 - 1.5 kW



DP, EF AUTO ADAPT

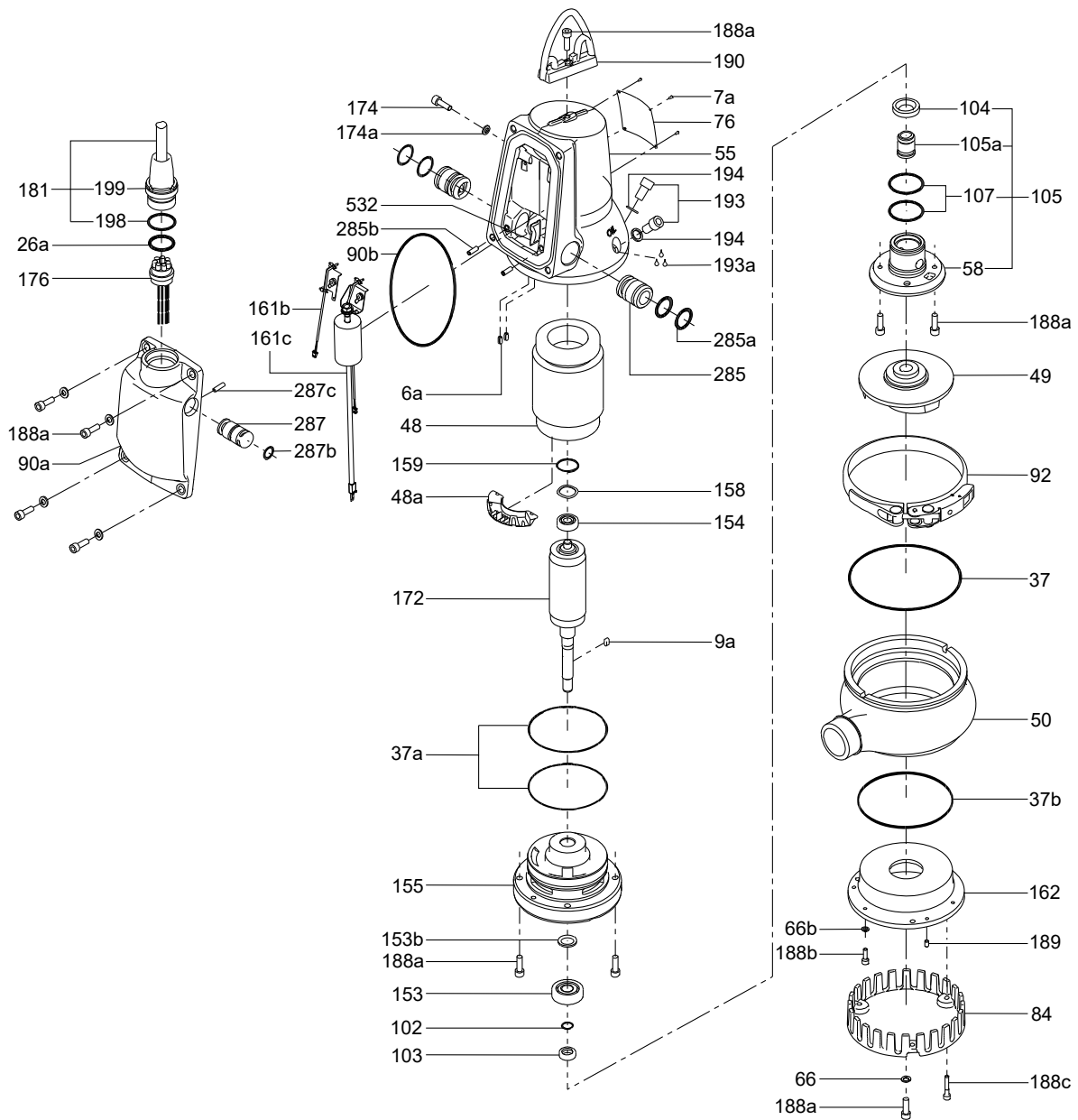
TM044870

DP 2.6 kW



TM044869

DP 0.9 - 1.5 kW



DP, EF AUTO ADAPT

TM044868

Bearing

Pos.	Description	Type	0.6-1.5 kW	2.6 kW
		Kit No	96882345	96690707
153	Bearing		1	1
154	Bearing		1	1

Cable

Pos.	Description	Length	10		15		20		25	
		Type	Standard	Ex	Standard	Ex	Standard	Ex	Standard	Ex
181	Cable		96591649	96689976	96659473	96689977	96591660	96689978	96689953	96689979

Capacitor and bracket

Pos.	Description	Type	Standard 1-ph.
		Kit No	96898084
161c	Capacitor and sensor with bracket		1
90b	O-ring		1

Dry-running sensor

Pos.	Description	Type	Standard	Ex
		Kit No	96898083	96984131
90b	O-ring		2	2
285	Dry-running sensor		1	1
285a	O-ring		1	1
285b	Set screw for sensor housing		1	1

Electronic controller

Pos.	Description	Type	Standard 1-phase	Ex 1-phase	Standard 3-phase	Ex 3-phase
		2-pole	0.6-1.1 kW	0.6-1.1 kW	0.6-4 kW	0.6-4 kW
		Kit No	96898085	96984145	96898086	96984146
26a	O-ring 32 x 4		1	1	1	1
90a	Electronic unit		1	1	1	1
90b	O-ring 180 x 4		1	1	1	1
198	O-ring 34 x 3		1	1	1	1
287b	O-ring 20 x 3		1	1	1	1
287c	Screw for sensor housing		1	1	1	1

Guide shoe

Pos.	Description	Outlet	Rp 2"	DN 65		DN 65/80	
		Rubber type	NBR	NBR	FKM	NBR	FKM
		Kit No	97771479	96692327	96692330	96692331	96692332
-	Rubber seal for guide shoe		1	1	1	1	1
-	Guide shoe		1	1	1	1	1

Level sensor

Pos.	Description	Type	Standard	Ex
		Kit No	96898082	96984130
90b	O-ring		1	1
287	Level sensor		1	1
287b	O-ring		1	1
287c	Set screw for sensor housing		1	1

Lifting bracket

Pos.	Description	Type	0.6-1.5 kW	2.6 kW
		Kit No	96690420	96690428
188a	Screw		1	2
190	Lifting bracket		1	1

Power plug

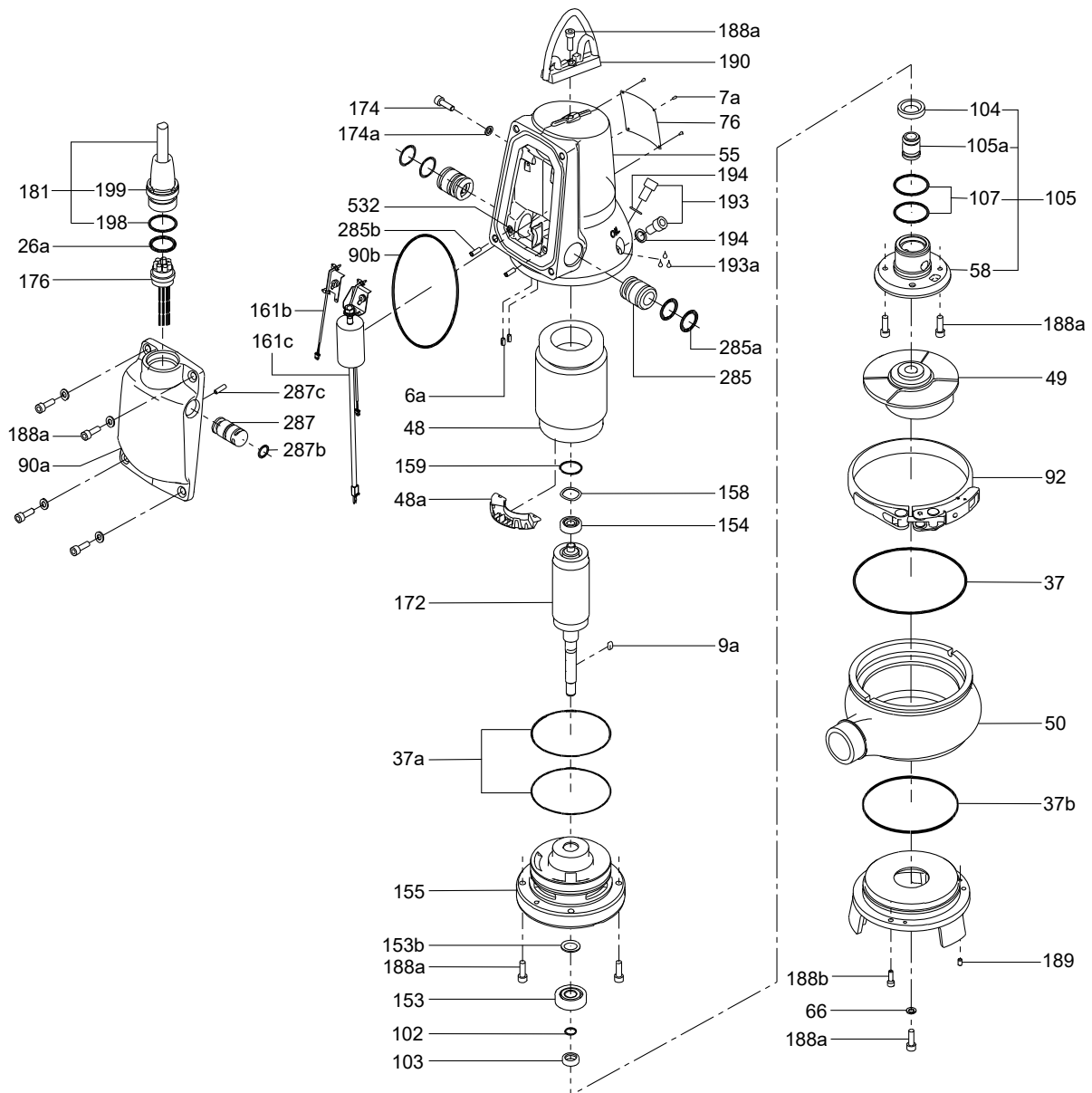
Pos.	Description	Type	Standard & Ex
		Kit No	96984144
26a	O-ring		1
90b	O-ring		1
176	Plug for power cable		1
198	O-ring		1

PT1000 with bracket

Pos.	Description	Type	Standard 3-ph. & Ex
		Kit No	97698437
161b	PT1000 sensor with bracket		1
90b	O-ring		1



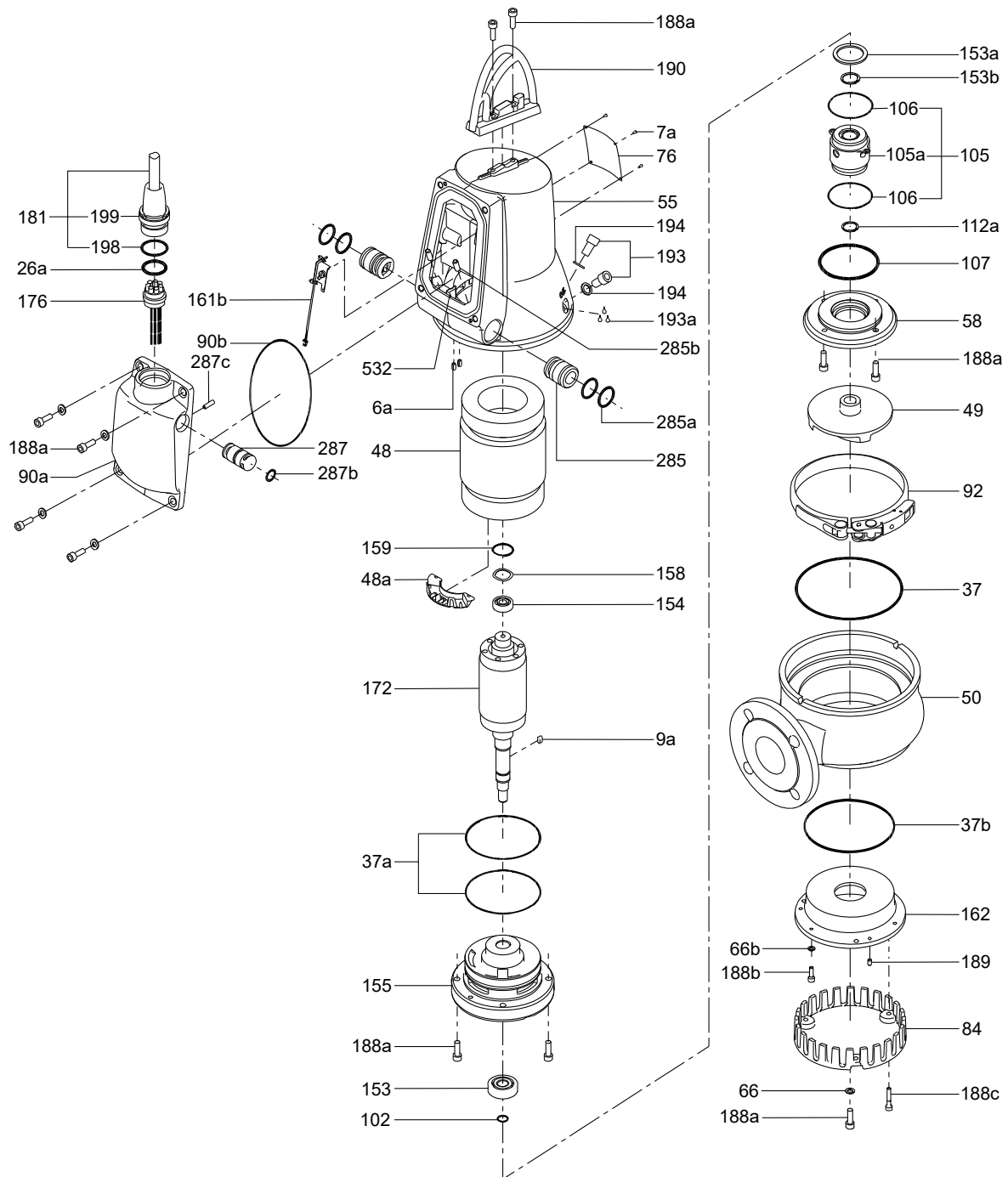
EF 0.6 - 1.5 kW



DP, EF AUTO ADAPT

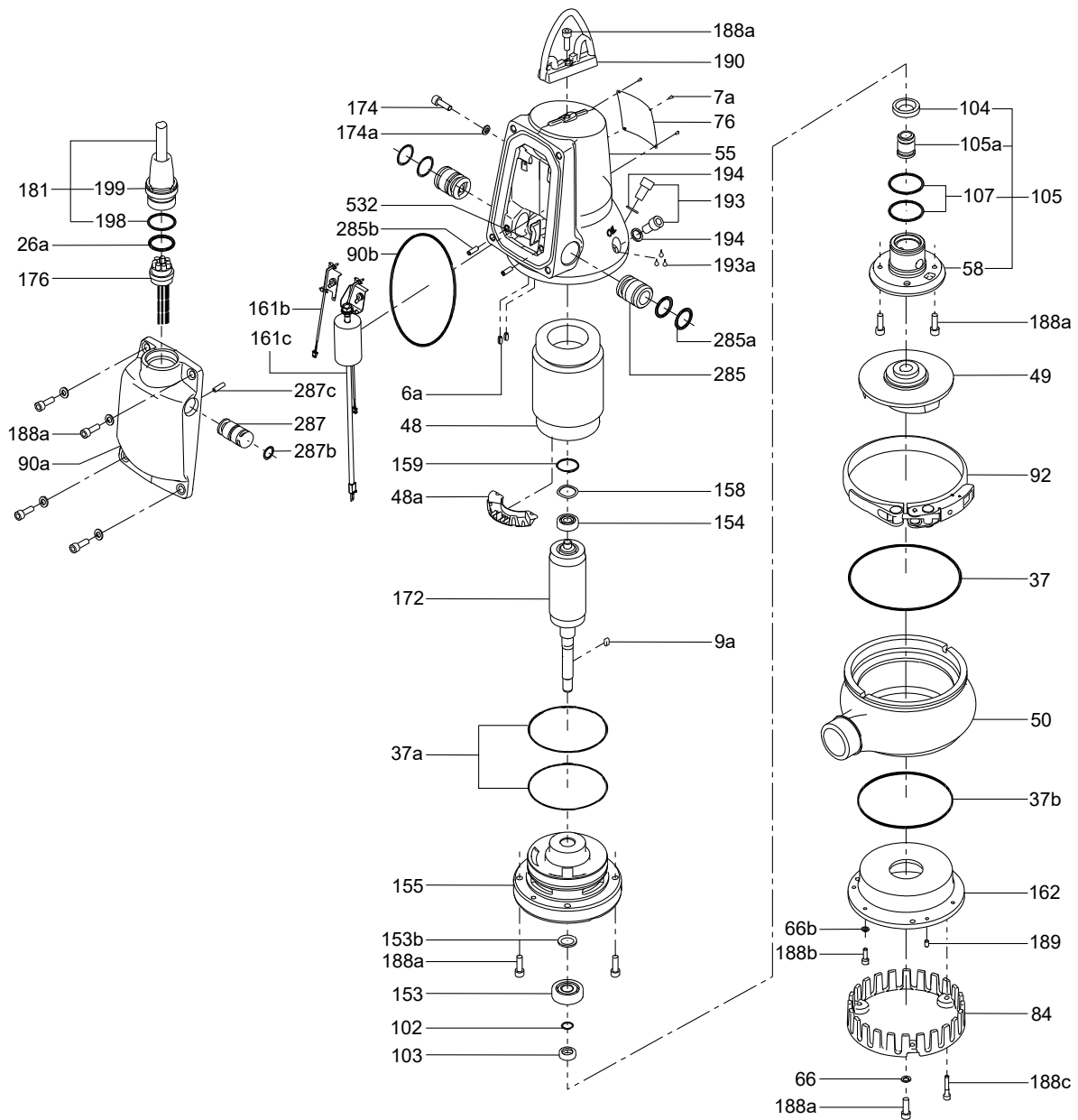
TM044870

DP 2.6 kW



TM044869

DP 0.9 - 1.5 kW



DP, EF AUTO ADAPT

TM044868