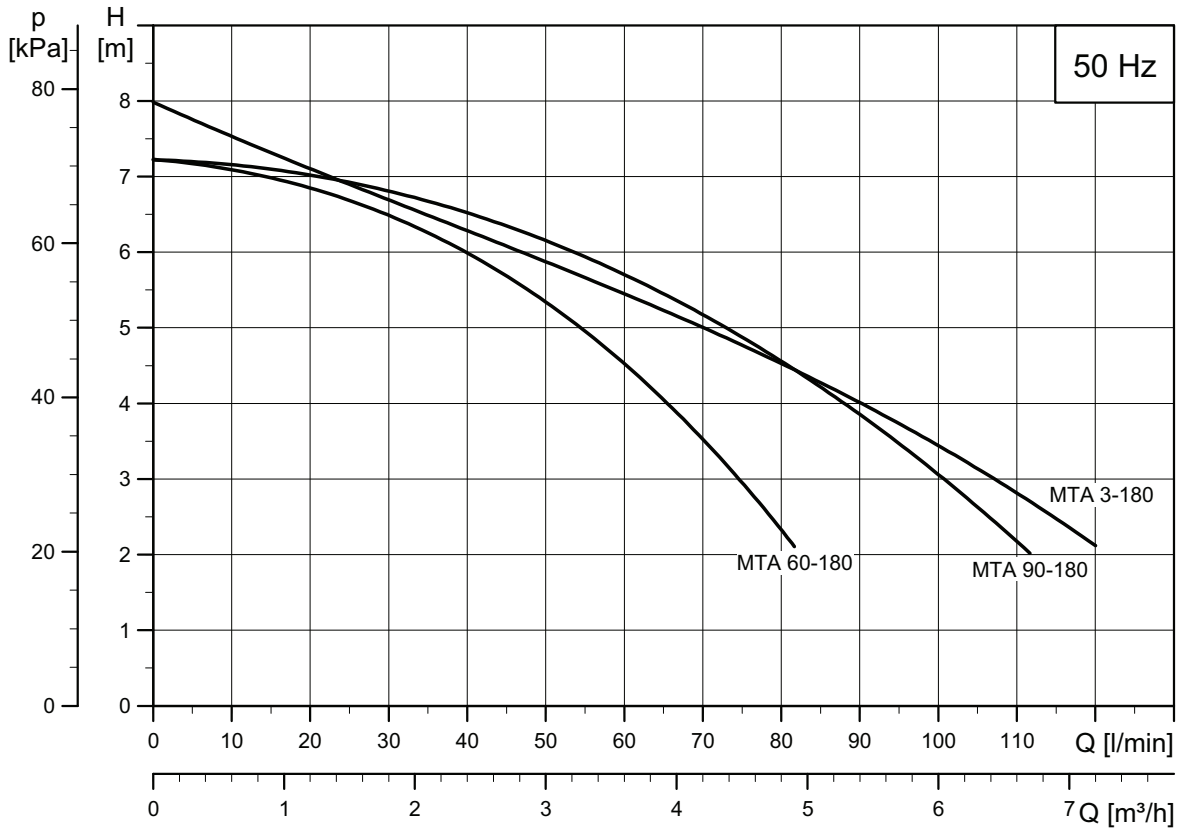


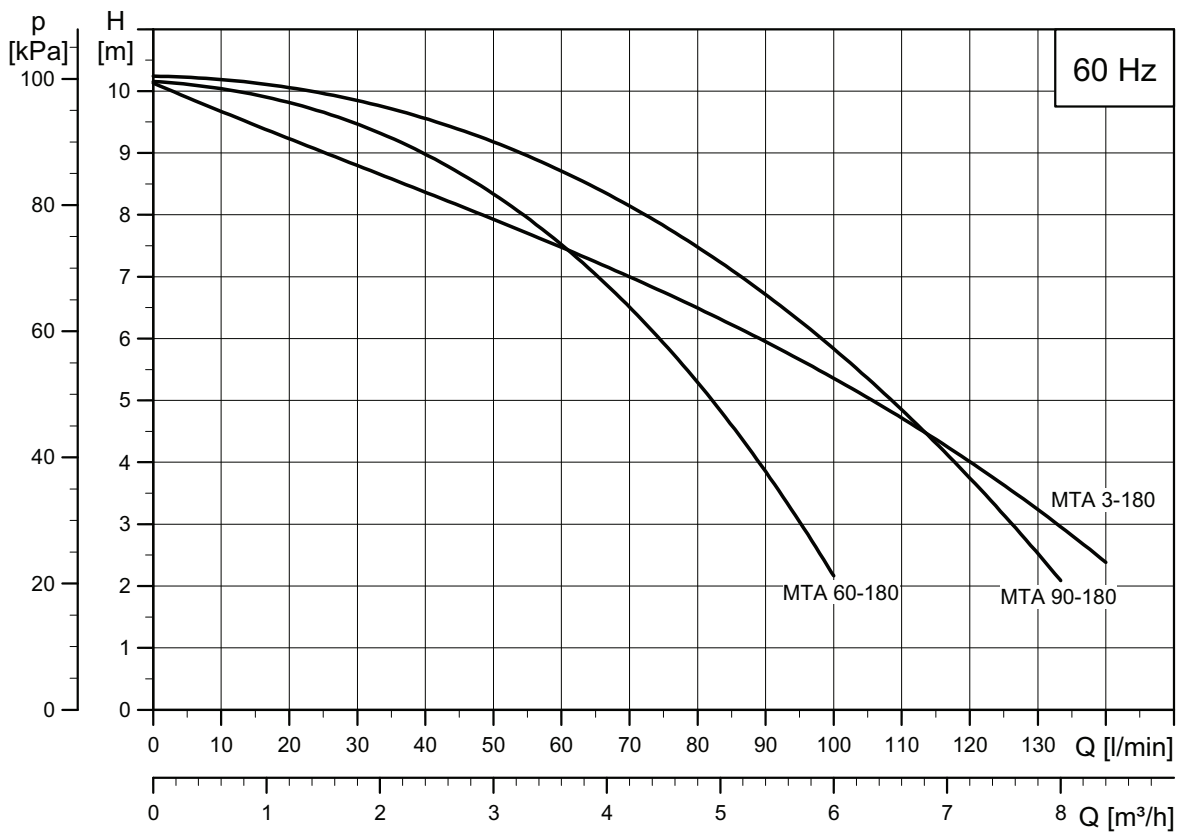
MTA (old) → MTA (new)

Conversion of old MTA pump types to new MTA pump types
50 / 60 Hz

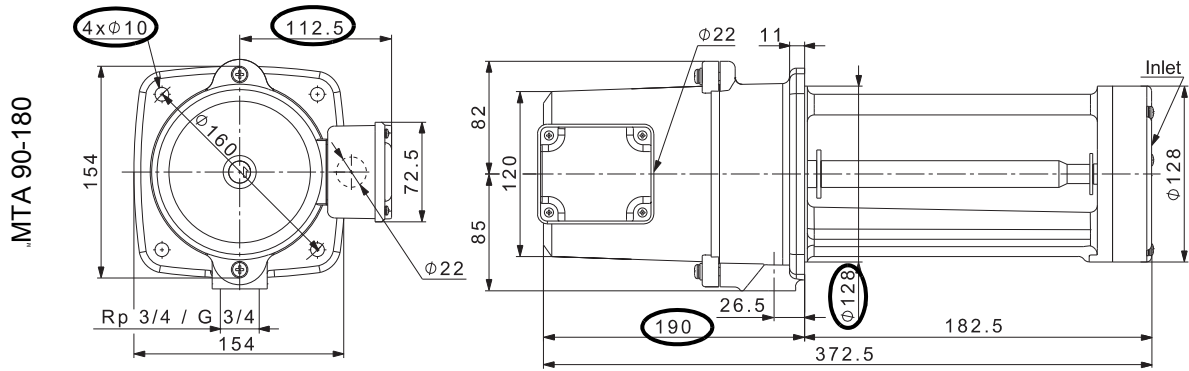




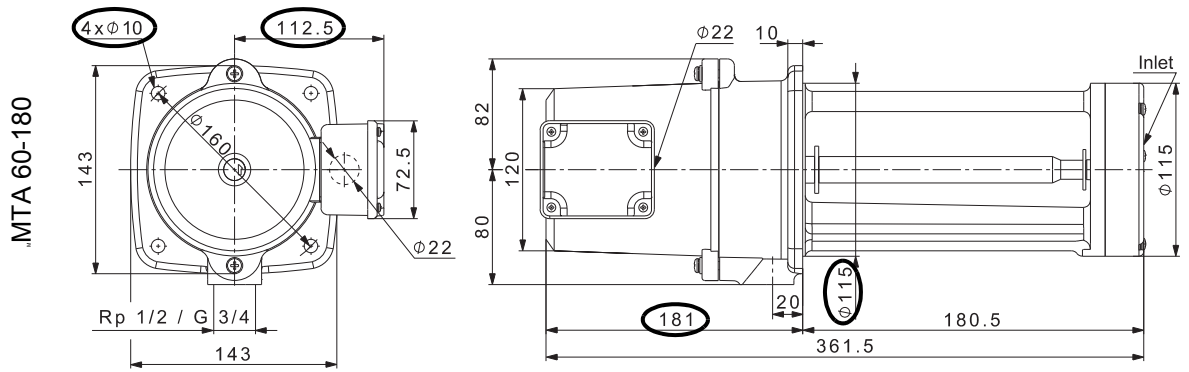
TM05 2372 5011



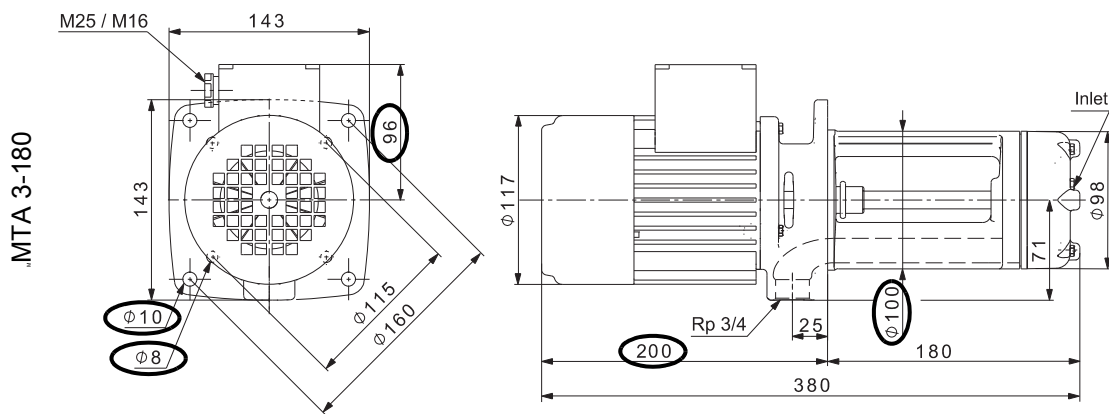
TM05 2375 5011



TM05 2336 4911

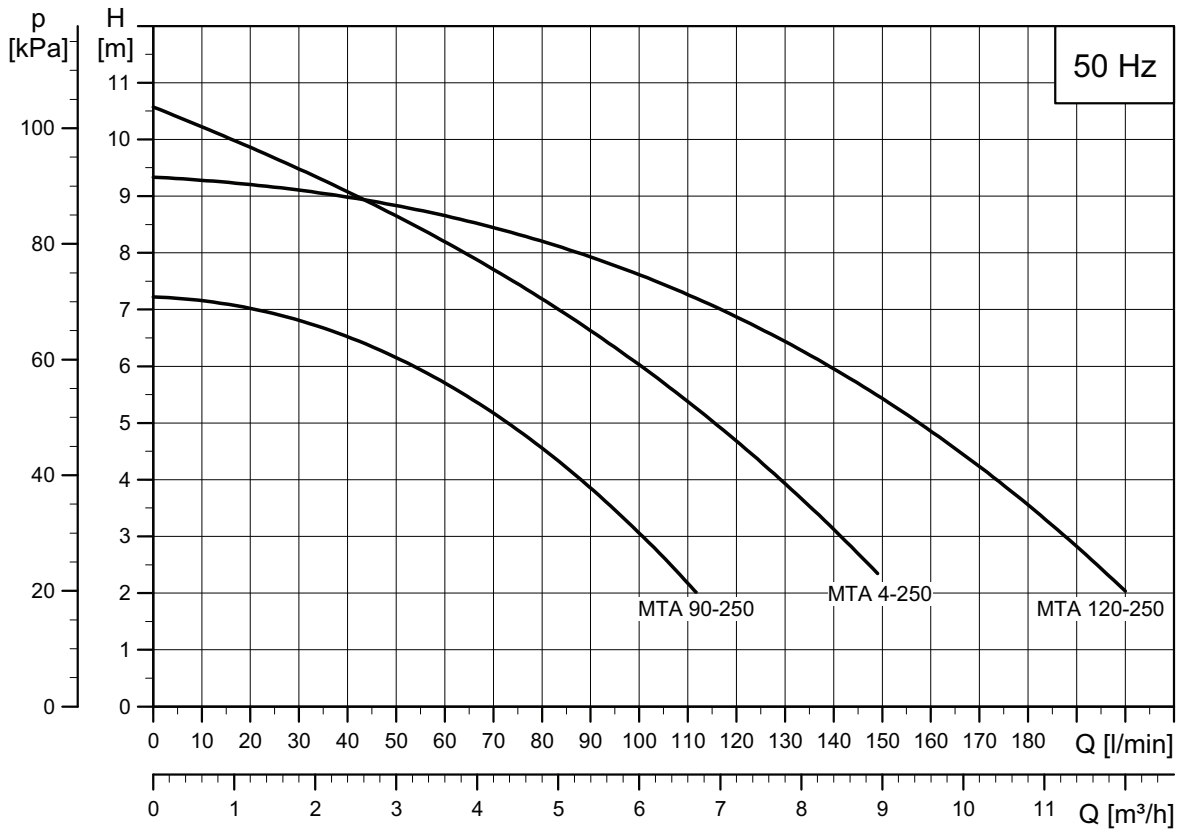


TM05 2329 4911

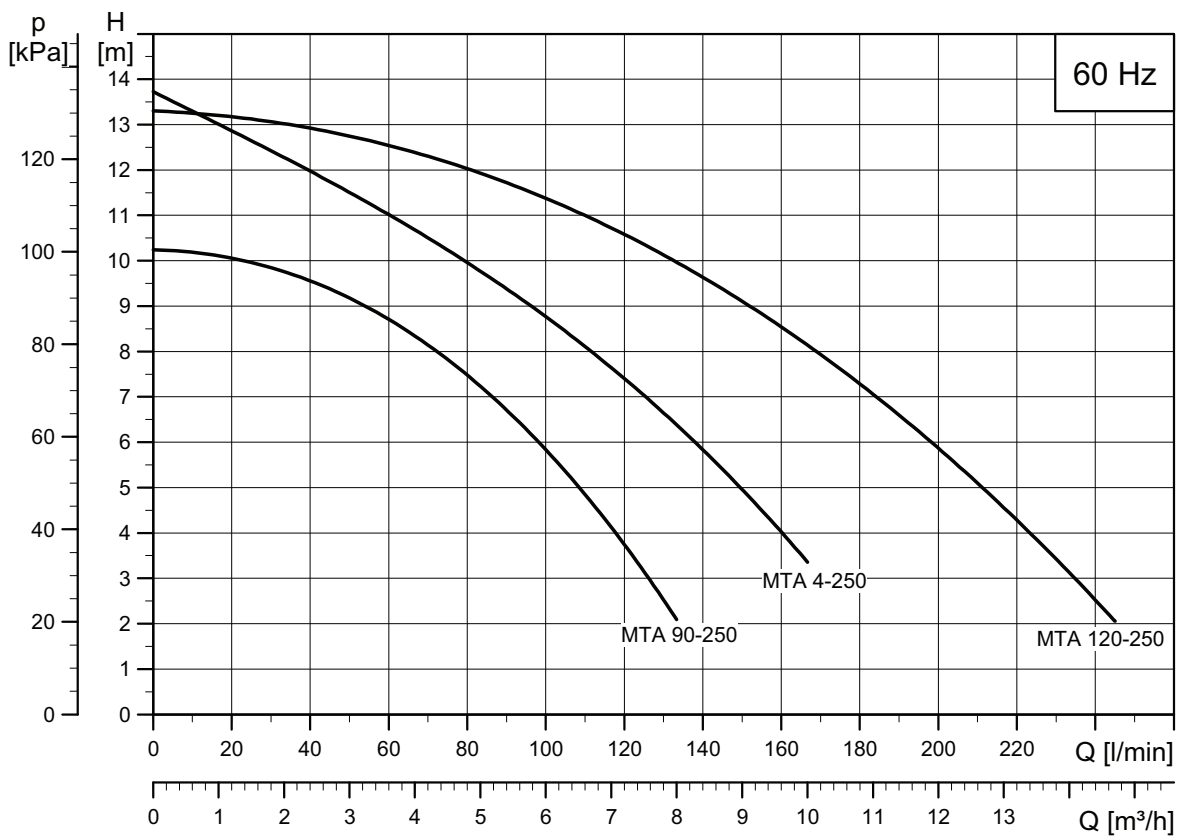


TM05 2340 4911

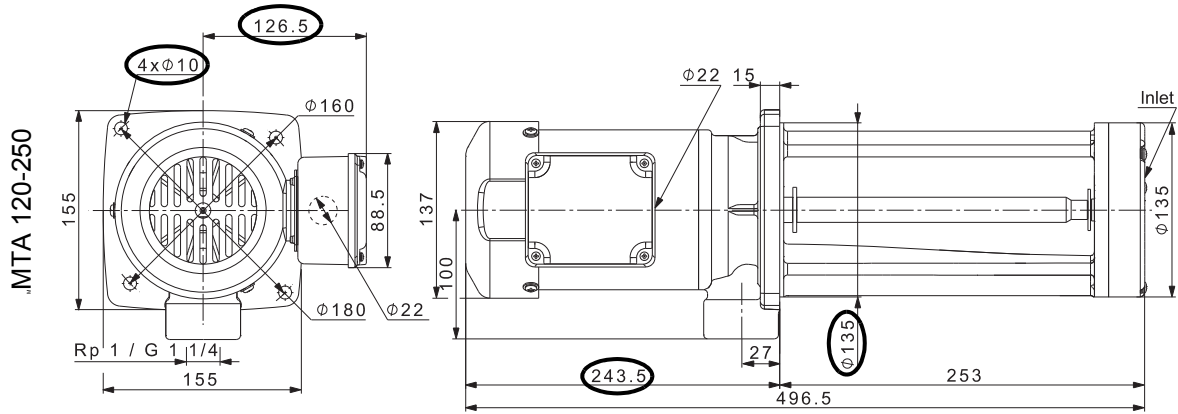
Note: Pay extra attention to the encircled dimensions.
For electrical data, please refer to the MTA data booklet.



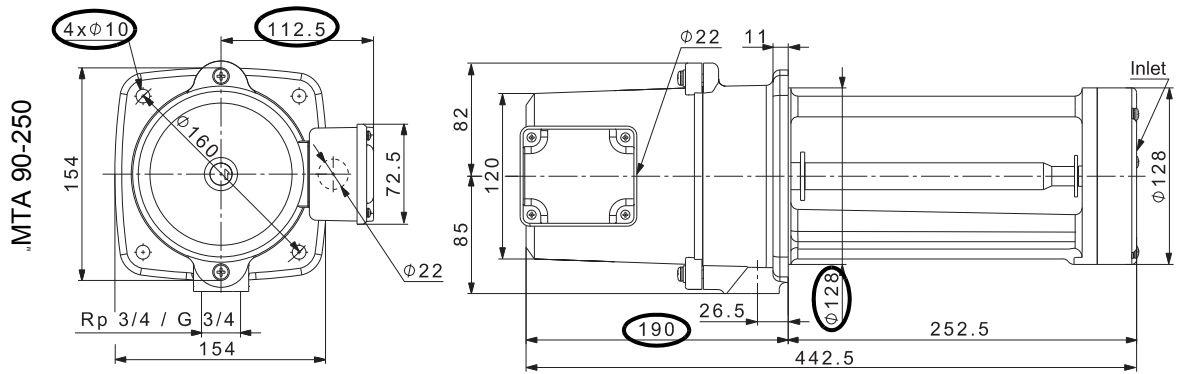
TM05 2373 5011



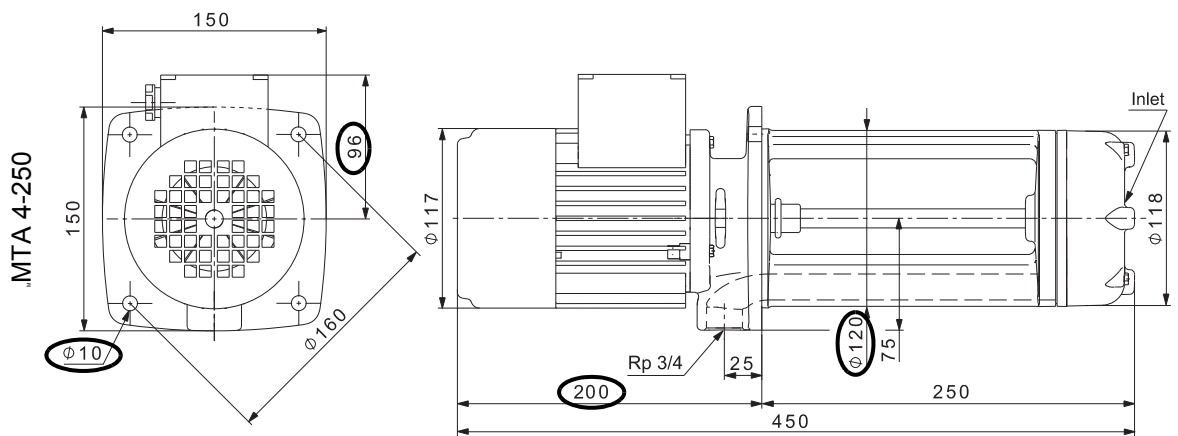
TM05 2376 5011



TM05 2338 4911

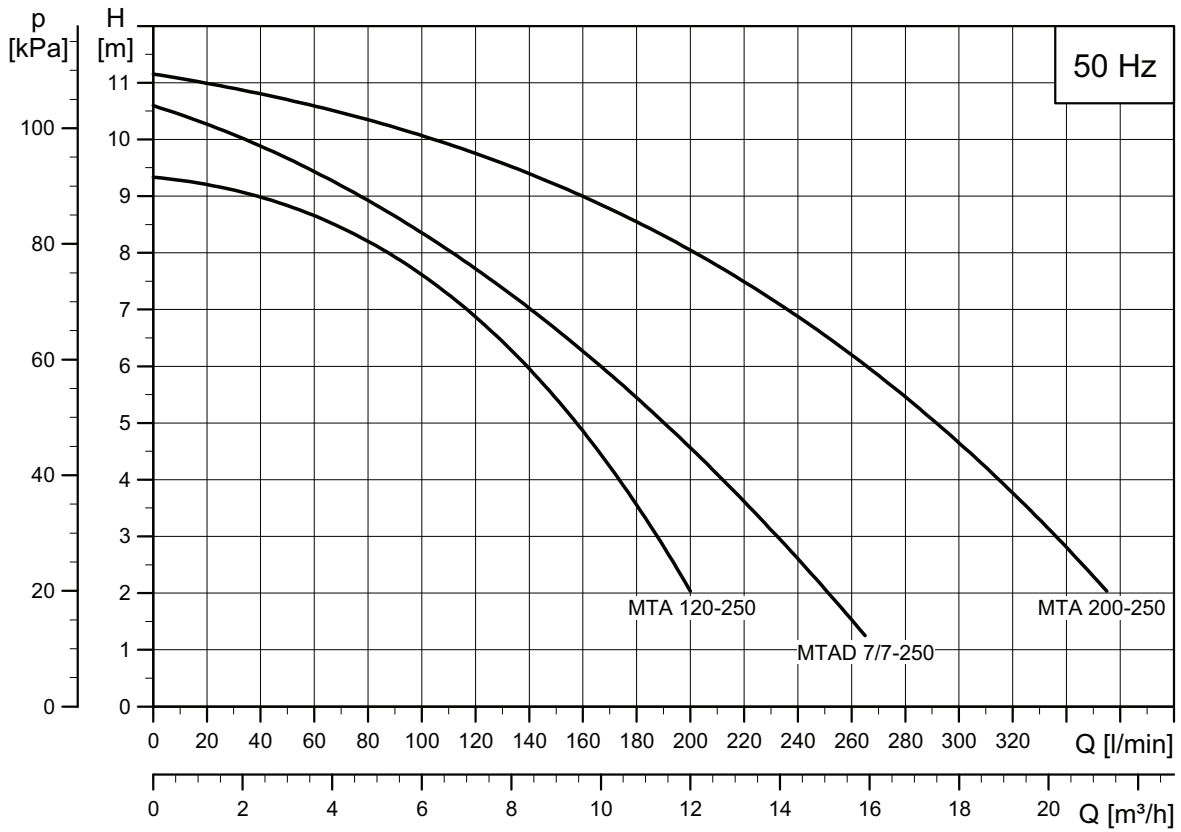


TM05 2337 4911

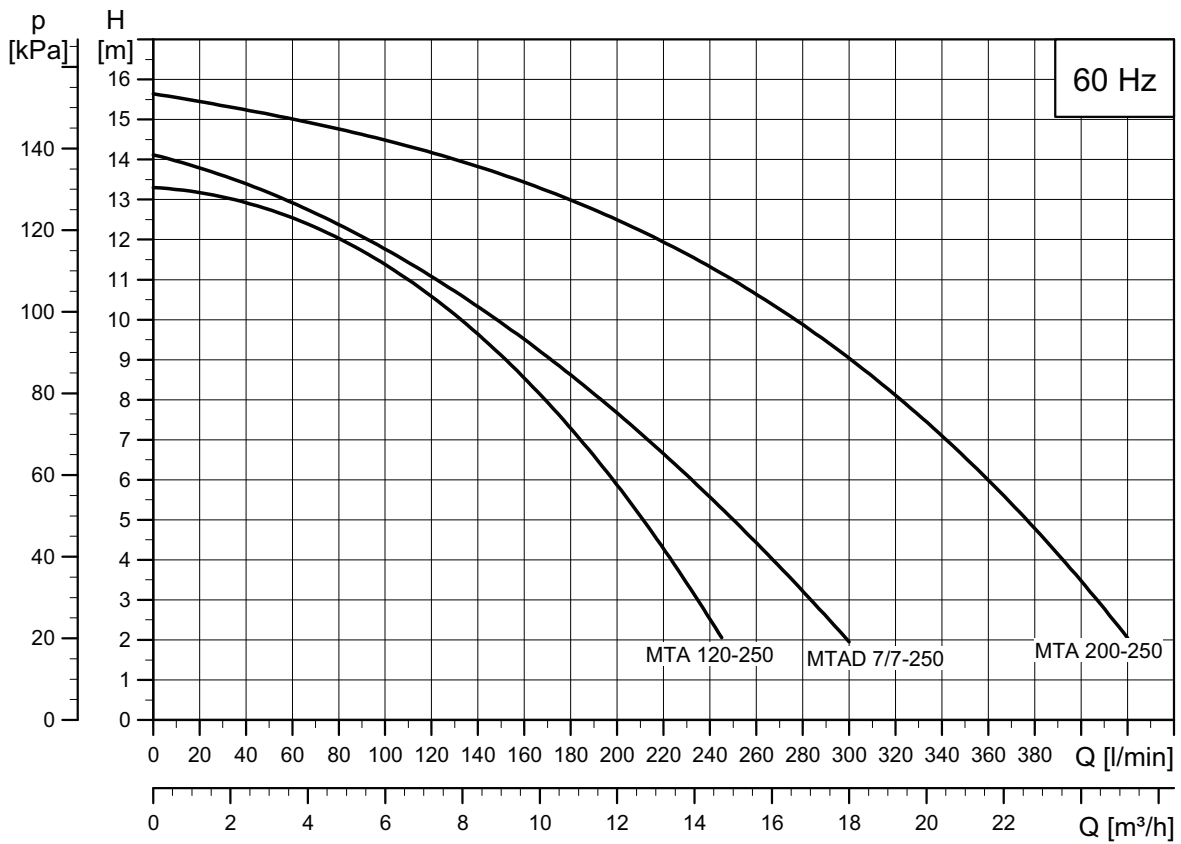


TM05 2341 4911

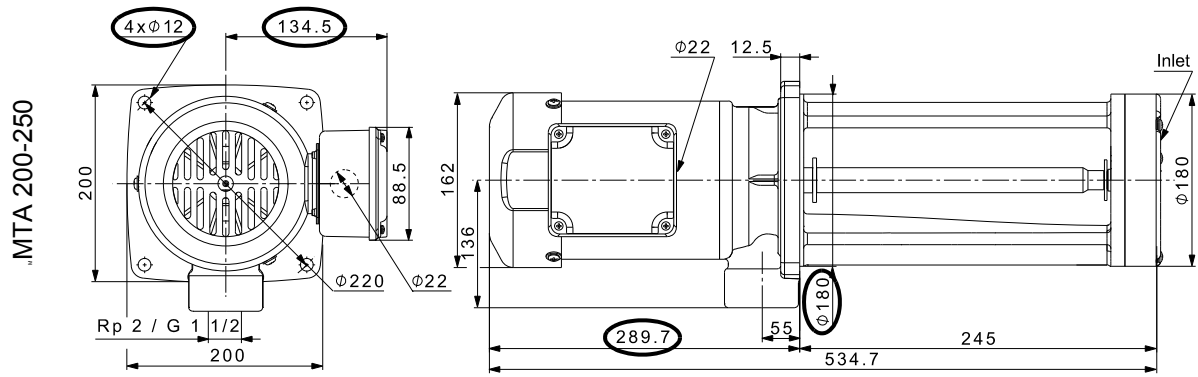
Note: Pay extra attention to the encircled dimensions.
For electrical data, please refer to the MTA data booklet.



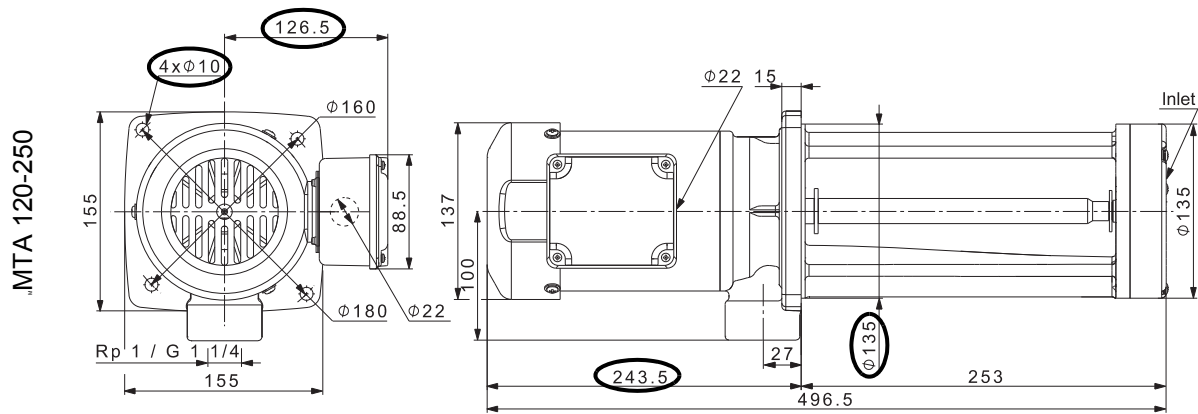
TM05 2374 5011



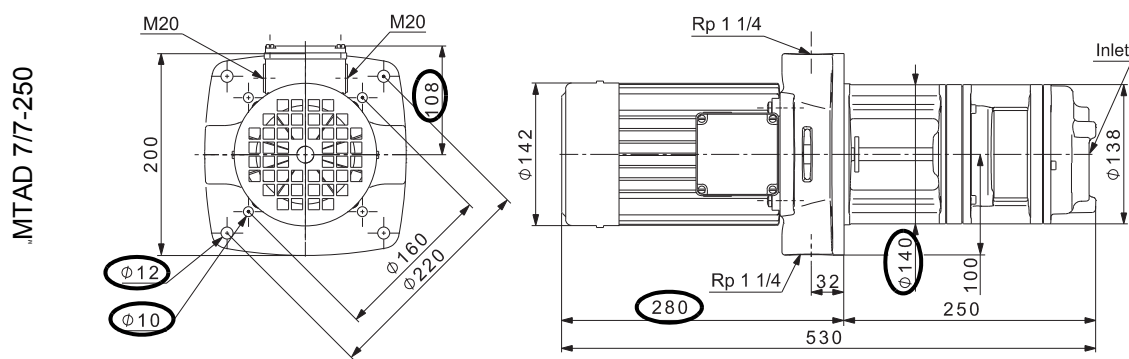
TM05 2377 5011



TM05 2339 4911



TM05 2338 4911



TM05 2342 4911

Note: Pay extra attention to the encircled dimensions.
For electrical data, please refer to the MTA data booklet.

98134369 1211

GB

ECM: 1086338

The name Grundfos, the Grundfos logo, and the payoff Be-Think-Innovate are registered trademarks owned by Grundfos Management A/S or Grundfos A/S, Denmark. All rights reserved worldwide.