

3. AP, APG

AP10

50 Hz, Models A and B

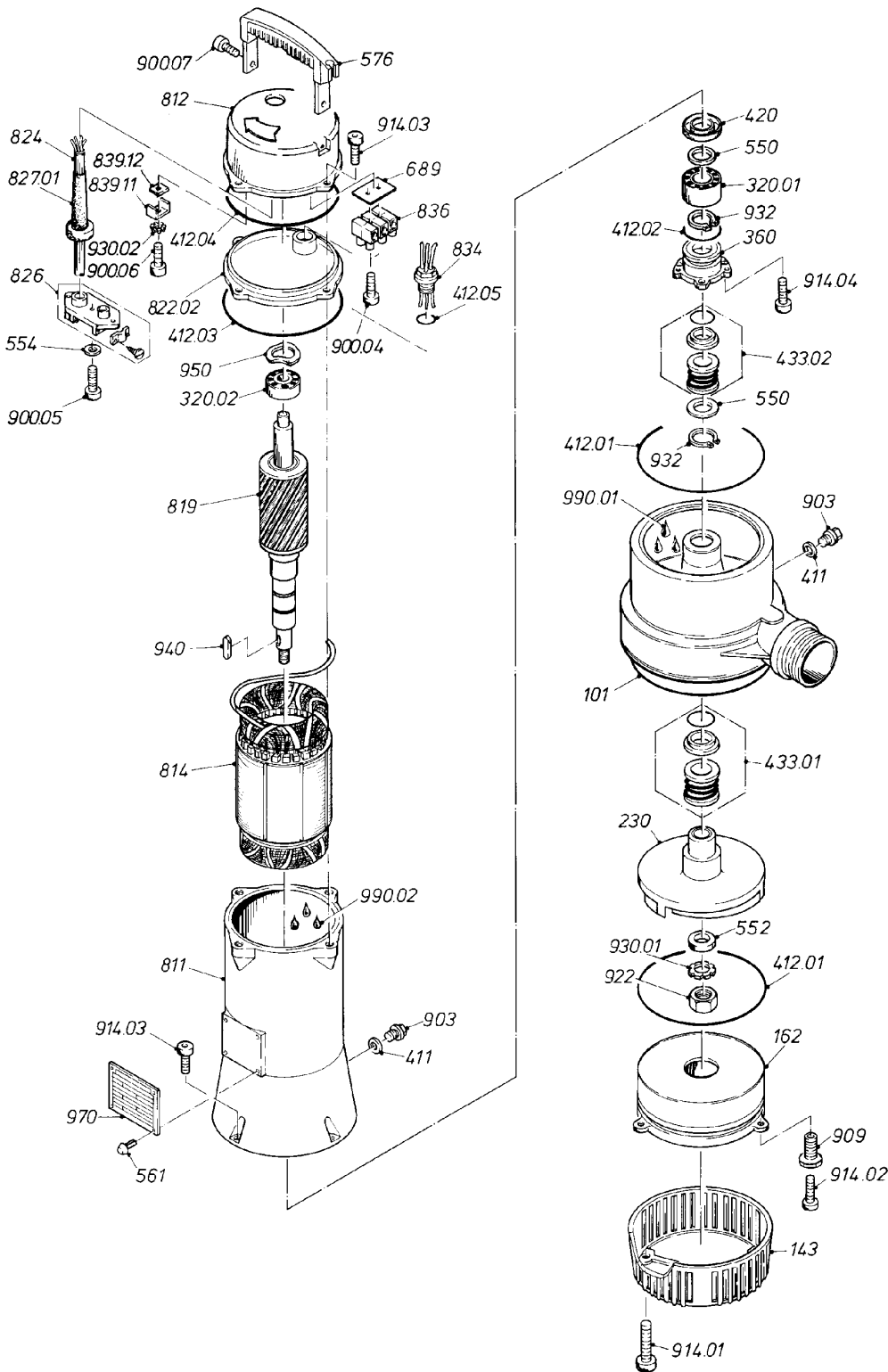
Wear parts

Pos.	Description
42V/433	1 shaft seal kit complete
412	1 O-ring kit
826	1 cable entry kit

Pump type	Model A	Model B
AP10.50.12.Ex	96003696	96007178
AP10.65.21	96003302	96007164

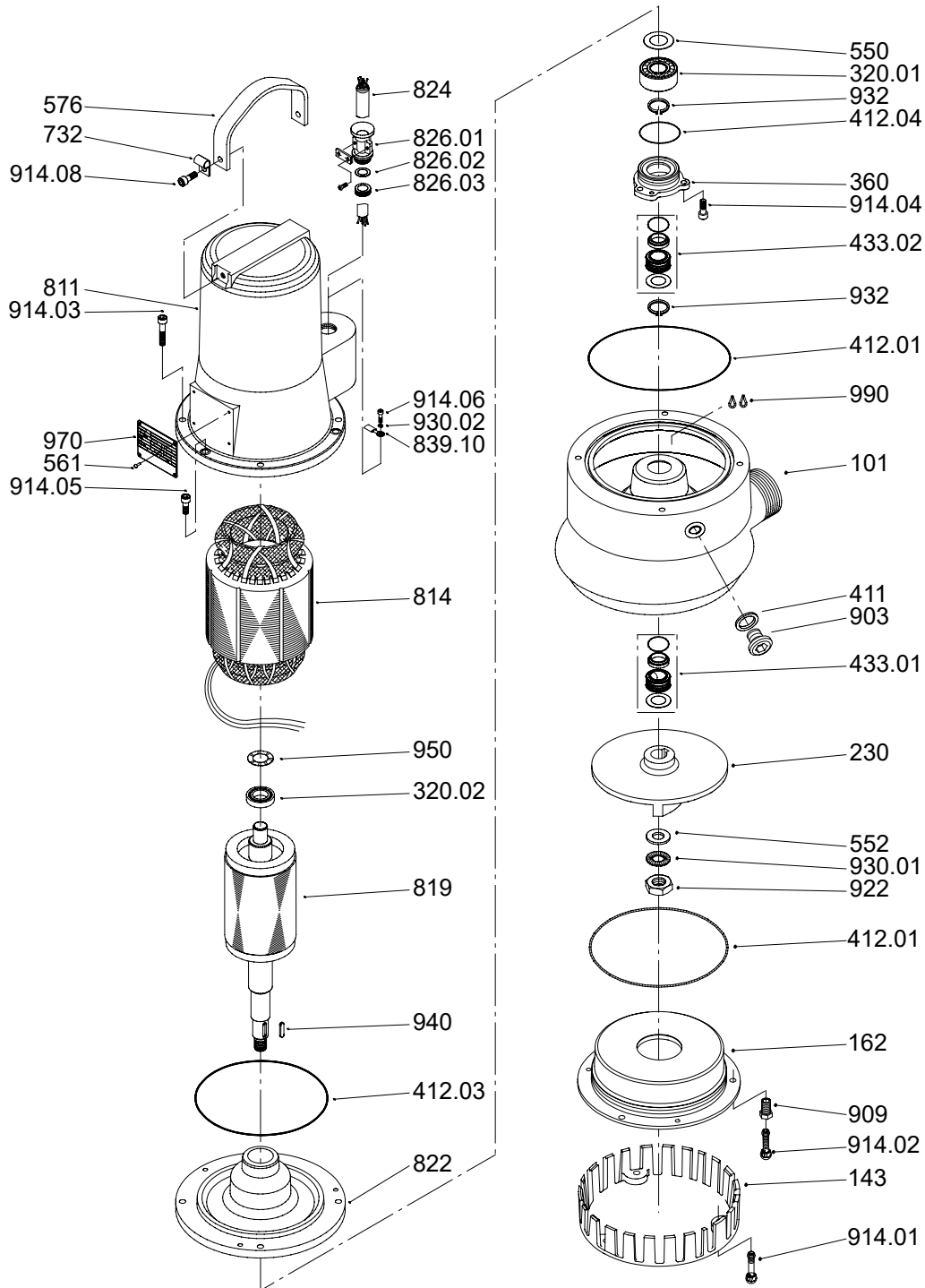
Oil	
1 litre non-toxic oil, type Shell Ondina 15	96586753

Model A



TM001961

Model B



TM012537

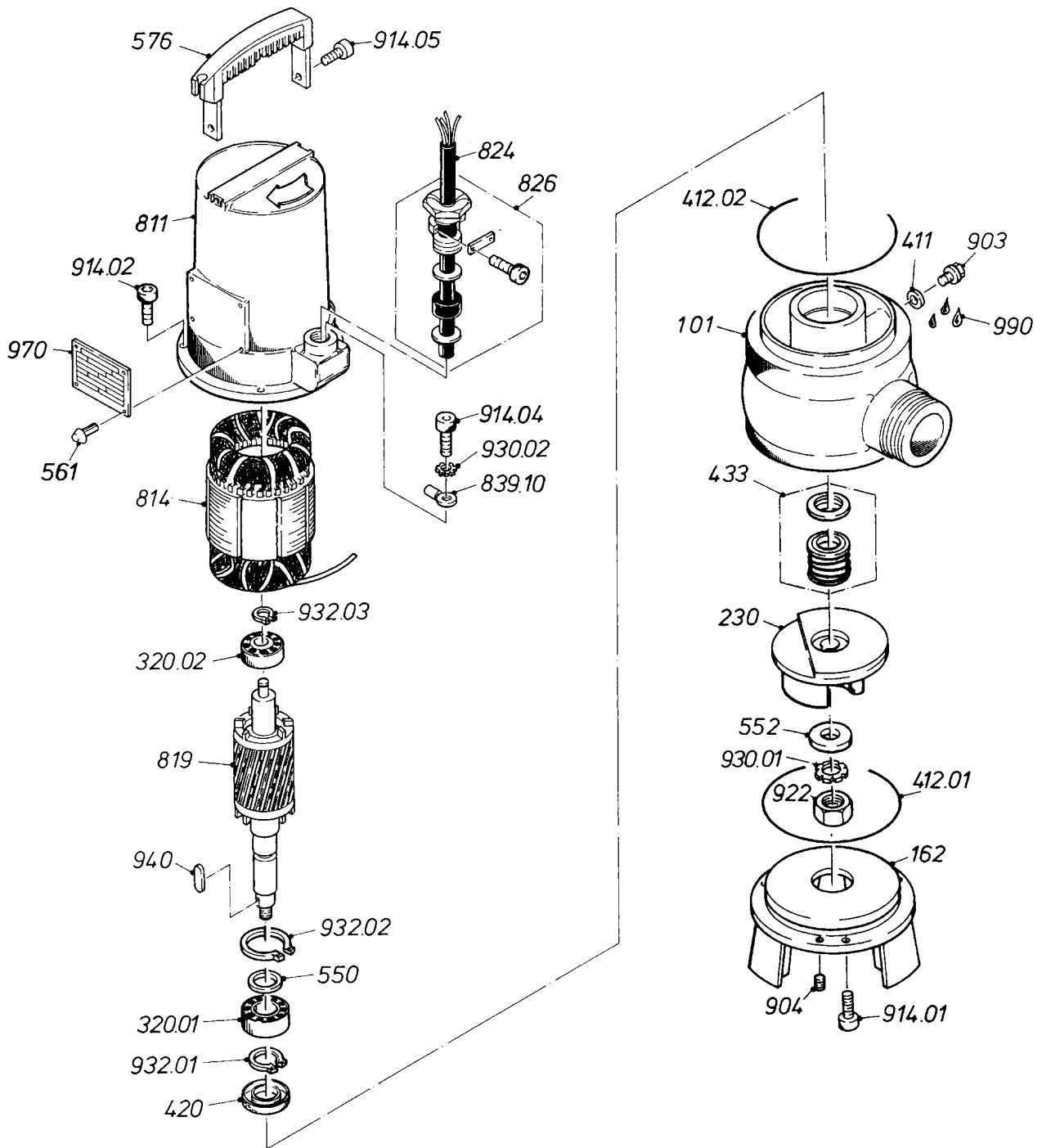
AP30**50/60 Hz, Models A and B****Wear parts**

Pos.	Description
420/433	1 shaft seal kit complete
412	1 O-ring kit
826	1 cable entry kit

Pump type	Model A	Model B
Non-explosion-proof pumps, 50 Hz	96003300	96003300
Explosion-proof pumps, 50 Hz	96003696	96007178
Non-explosion-proof pumps, 60 Hz	96003300	96003300

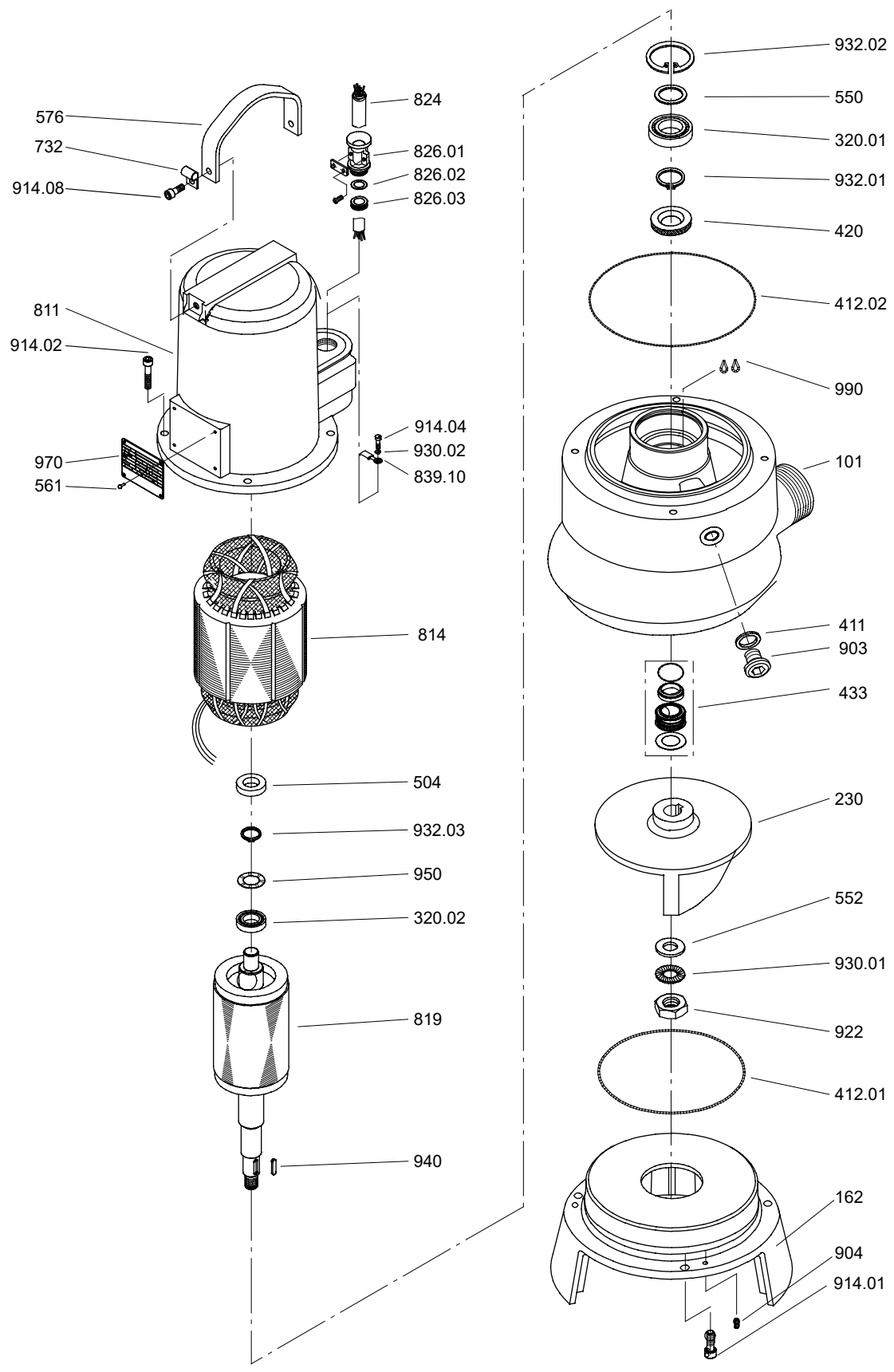
Oil		
1 litre non-toxic oil, type Shell Ondina 15		96586753

Model A



TM001963

Model B



TM012549

AP51**50 Hz****Wear parts**

Pos.	Description
420/433	1 shaft seal kit complete
412	1 O-ring kit
826	1 cable entry kit

Pump type	Model A	Model B
50 Hz		
AP51.65.07	96003300	96003300
AP51.65.12	96003300	96003300
AP51.65.17	96003302	96007164
AP51.65.17.3 ¹⁾	96003692	96007175
AP51.65.22.3	96003302	96007164
AP51.65.22.3 ¹⁾	96003692	96007175
AP51.65.22.3.EX	96003303	96007165
60 Hz		
AP51.65.09	96003300	96003300
AP51.65.13	96003300	96003300
AP51.65.14	96003300	96003300
AP51.65.15.3	96003300	96003300
AP51.65.15.3 V	96003302	96007164
AP51.65.22	96003302	96007164
AP51.65.23	96003302	96007164
AP51.65.34	96003691	96007164
AP51.65.35	96003691	96007164
AP51.65.36	96003691	96007164

¹⁾ With temperature sensors in the motor windings.

Oil

1 litre non-toxic oil, type Shell Ondina 15	96586753
---	----------

Thermal contact for three-phase motors

Thermal contact	96005389
-----------------	----------

Including three thermal switches for 140 °C and tape (class F)

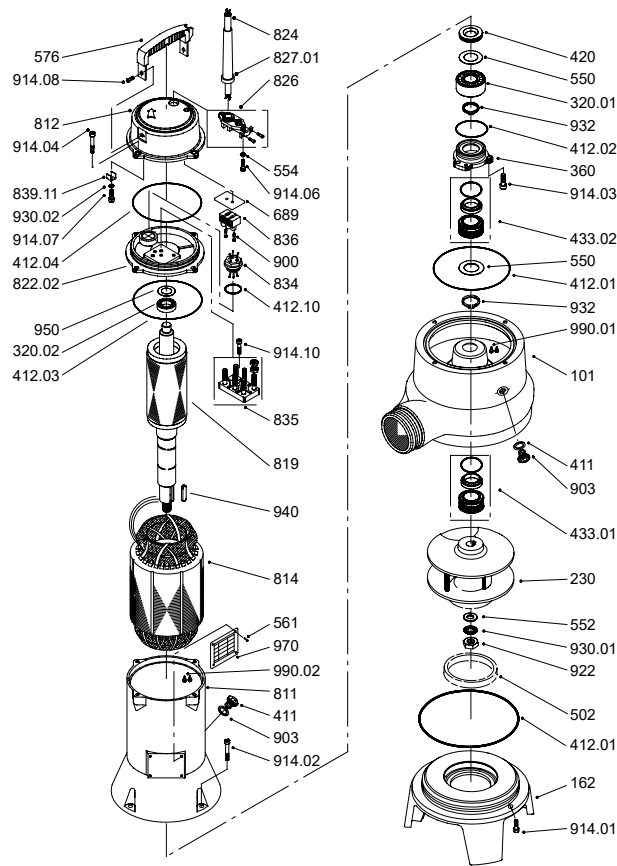
Control box

Product numbers for control boxes include these parts:

AP51.xx.xx.xA:	1 control box 10 m cable for float switch 1 float switch.
Other pumps:	1 control box (without relays for float switch).

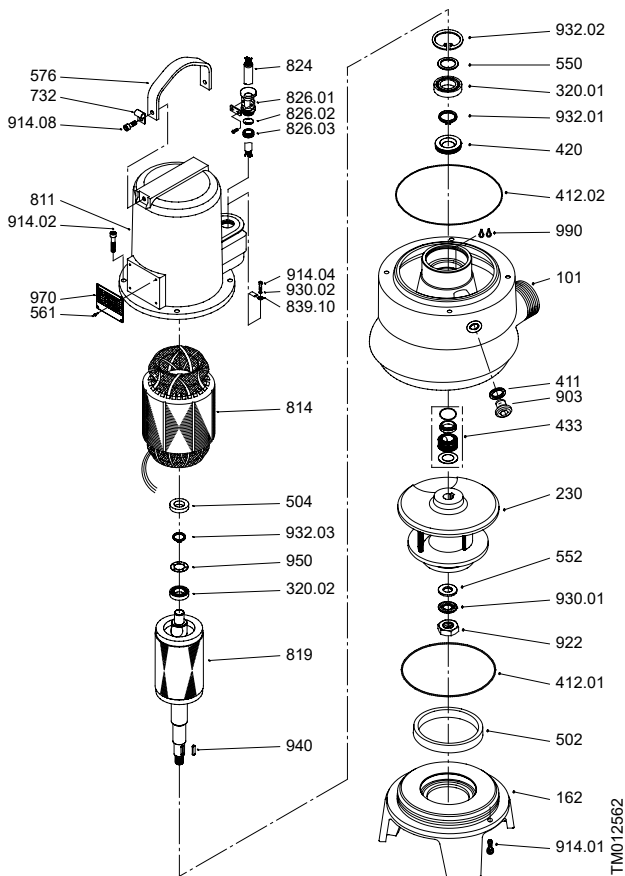
Pump type	Voltage (V)	Control box	Schuko plug	CEE plug
AP51.65.07	1 x 230			
AP51.65.07.A1	1 x 230			
AP51.65.07.A1	1 x 230		•	
AP51.65.07.A3	3 x 400			
AP51.65.07.A3	3 x 230			
AP51.65.07.A3	3 x 400			•
AP51.65.09.1	1 x 230			
AP51.65.09.A1	1 x 230			
AP51.65.12.1	1 x 230			
AP51.65.12.A1	1 x 230			
AP51.65.12.A1	1 x 230		•	
AP51.65.12.A3	3 x 400			
AP51.65.12.A3	3 x 230			
AP51.65.12.A3	3 x 400			•
AP51.65.13.1	1 x 230			
AP51.65.13.A1	1 x 230			
AP51.65.14.1V	1 x 230			
AP51.65.14.A1V	1 x 230			

AP51.65.17-23, model A



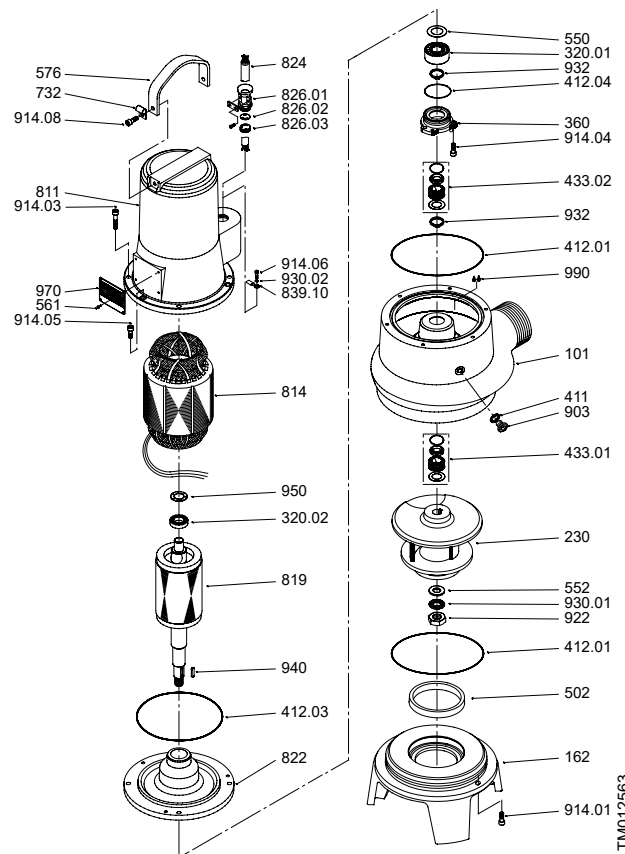
TM007135

AP51.65.07-12, model B



TM012562

AP51.65.17-22, model B



TM012563

AP65

Wear parts

Pos.	Description
433	1 shaft seal kit complete
412	1 O-ring kit
826	1 cable entry kit

Pump type	Wear parts
AP65.65.09.1.V	96003300
AP65.65.09.3.V	96003300
AP65.65.12.3.V	96003300
AP65.65.12.1.V	96003300

	With moisture sensors	Without moisture sensors
AP65.100.24.V	96007162	96007162
AP65.100.32.V	96007162	96007162
AP65.100.45.V	96007162	96007162
AP65.100.61.V	96007162	96007162
AP65.100.130.V	96003818	96003817
AP65.100.24.V.Ex	96007162	96007162
AP65.100.32.V.Ex	96007162	96007162
AP65.100.45.V.Ex	96007162	96007162
AP65.100.61.V.Ex	96007162	96007162
AP65.100.130.V.Ex	96003821	96003820

Oil

1 litre non-toxic oil, type Shell Ondina 15	96586753
---	----------

Thermal contact for three-phase motors

Thermal contact	96005389
-----------------	----------

Including three thermal switches for 140 °C and tape (class F)

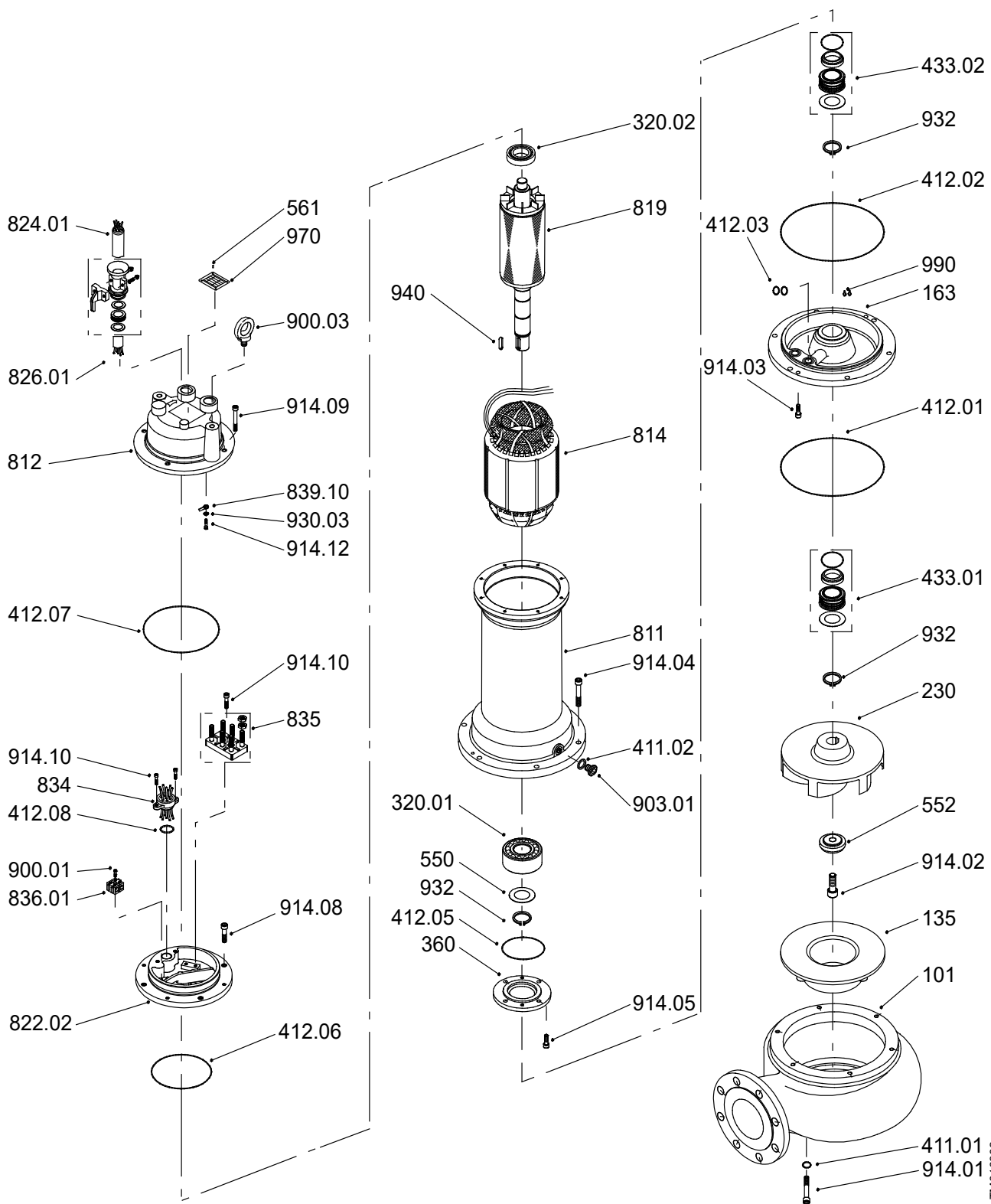
Control box

Product numbers of control boxes include these parts:

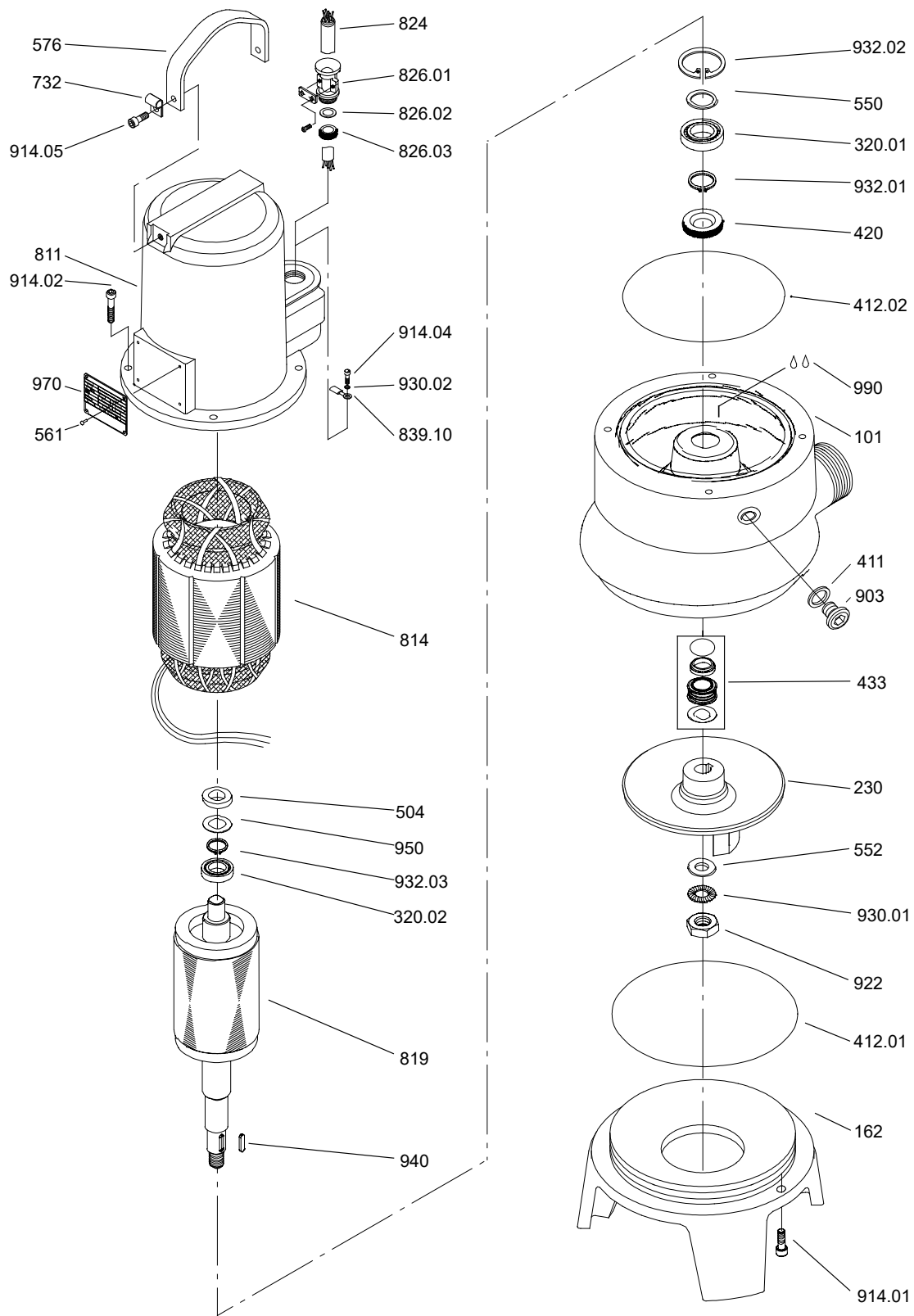
- 1 control box
- 10 m cable for float switch
- 1 float switch.

Pump type	Voltage (V)	Control box	Schuko plug	CEE plug
AP65.65.09.A1.V	1 x 230		•	
AP65.65.09.A3.V	3 x 230			•
AP65.65.09.A3.V	3 x 400			•
AP65.65.12.A1.V	1 x 230		•	
AP65.65.12.A3.V	3 x 230			•
AP65.65.12.A3.V	3 x 400			•

AP65



TM016302



TM012134

AP70**50 Hz, Models A and B****Wear parts**

Pos.	Description
433	1 shaft seal kit complete
412	1 O-ring kit
826	1 cable entry kit

Pump type	Model A	Model B
AP70.80.09.3	96003304	96007166
AP70.80.09.3 ²⁾	96003693	96007176
AP70.80.09.3.Ex	96003305	96007167
AP70.80.13.3	96003304	96007166
AP70.80.13.3 ²⁾	96003693	96007176
AP70.80.13.3.Ex	96003305	96007167
AP70.80.19.3	96003306	96007168
AP70.80.19.3 ²⁾	96003694	96007177
AP70.80.19.3.Ex	96003307	96007163
AP70.80.24.3	96003306	96007168
AP70.80.24.3 ²⁾	96003694	96007177
AP70.80.24.3.Ex	96003307	96007163

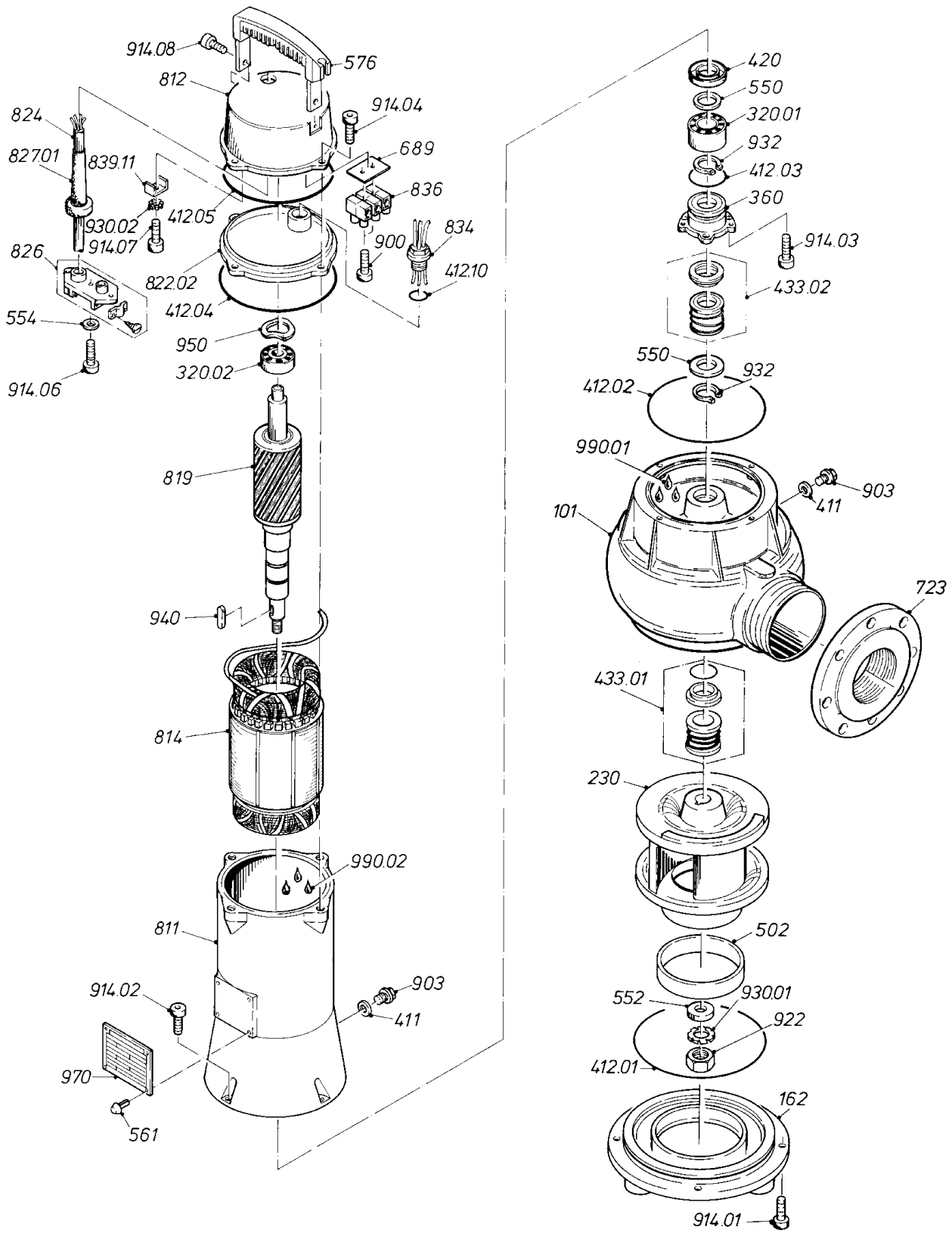
²⁾ With temperature sensors in the motor windings.

Oil	
1 litre non-toxic oil, type Shell Ondina 15	96586753

Thermal contact for three-phase motors	
Thermal contact	96005389

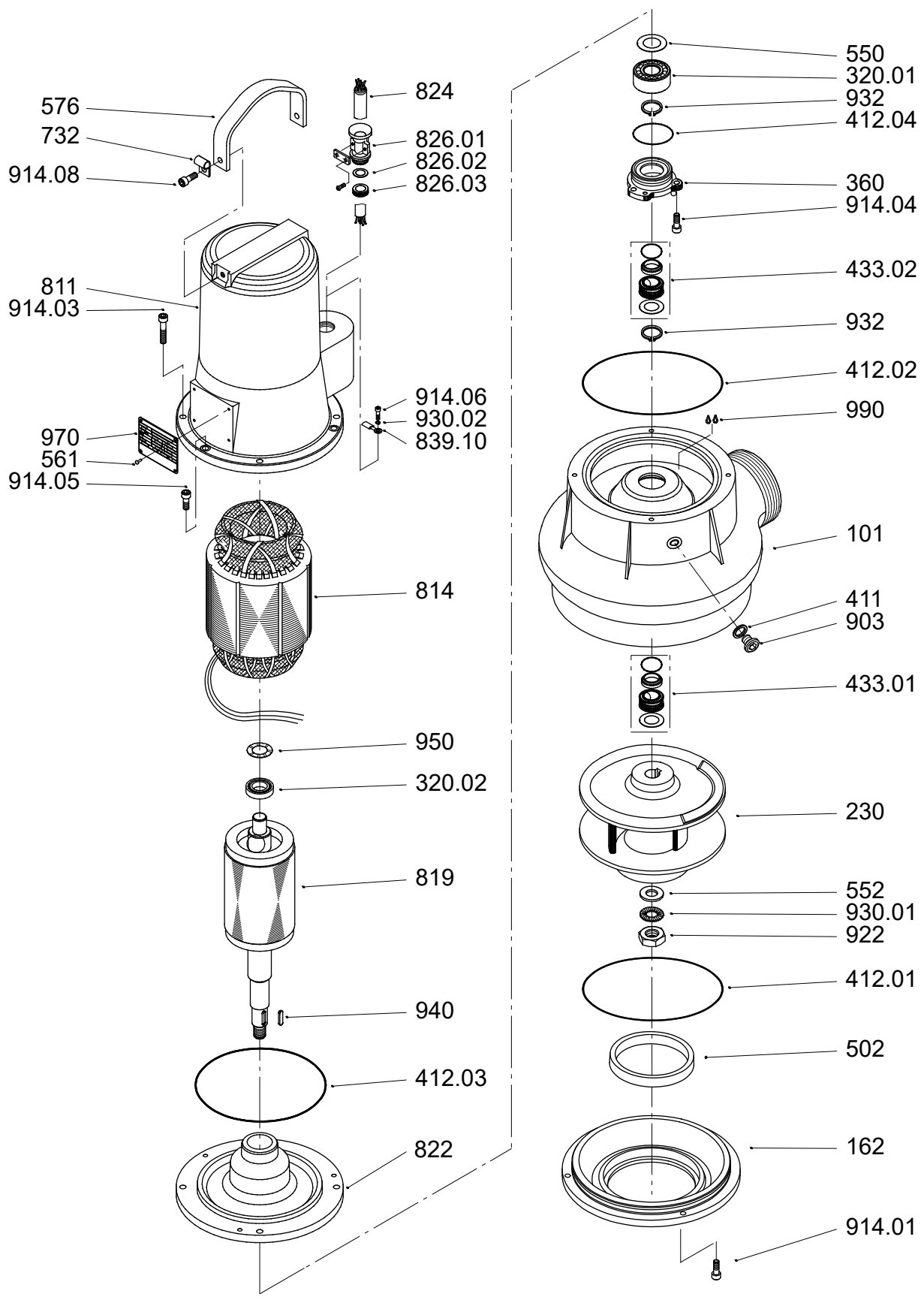
Including three thermal switches for 140 °C and tape (class F)

AP70.80.09-13, model A



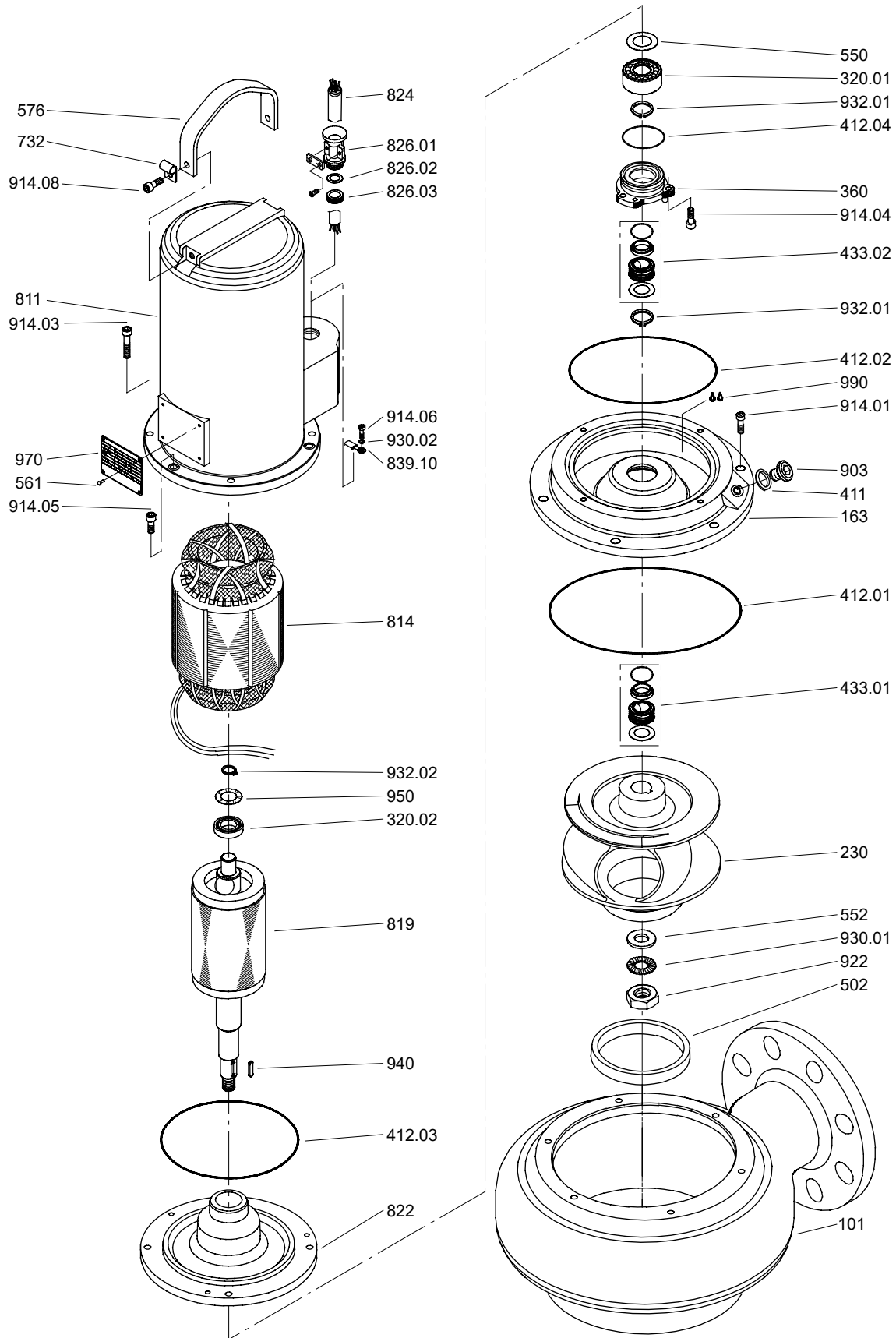
TM001973

AP70.80.09-13, model B



TM012577

AP70.80.19-24, model B



TM012578

AP80**50/60 Hz****Wear parts**

Pos.	Description
411	Cable entry
412	O-rings
433	Shaft seal
502	Neck ring
826	Cable entry (only 60 Hz)
903	Oil-filling screw (only 50 Hz)

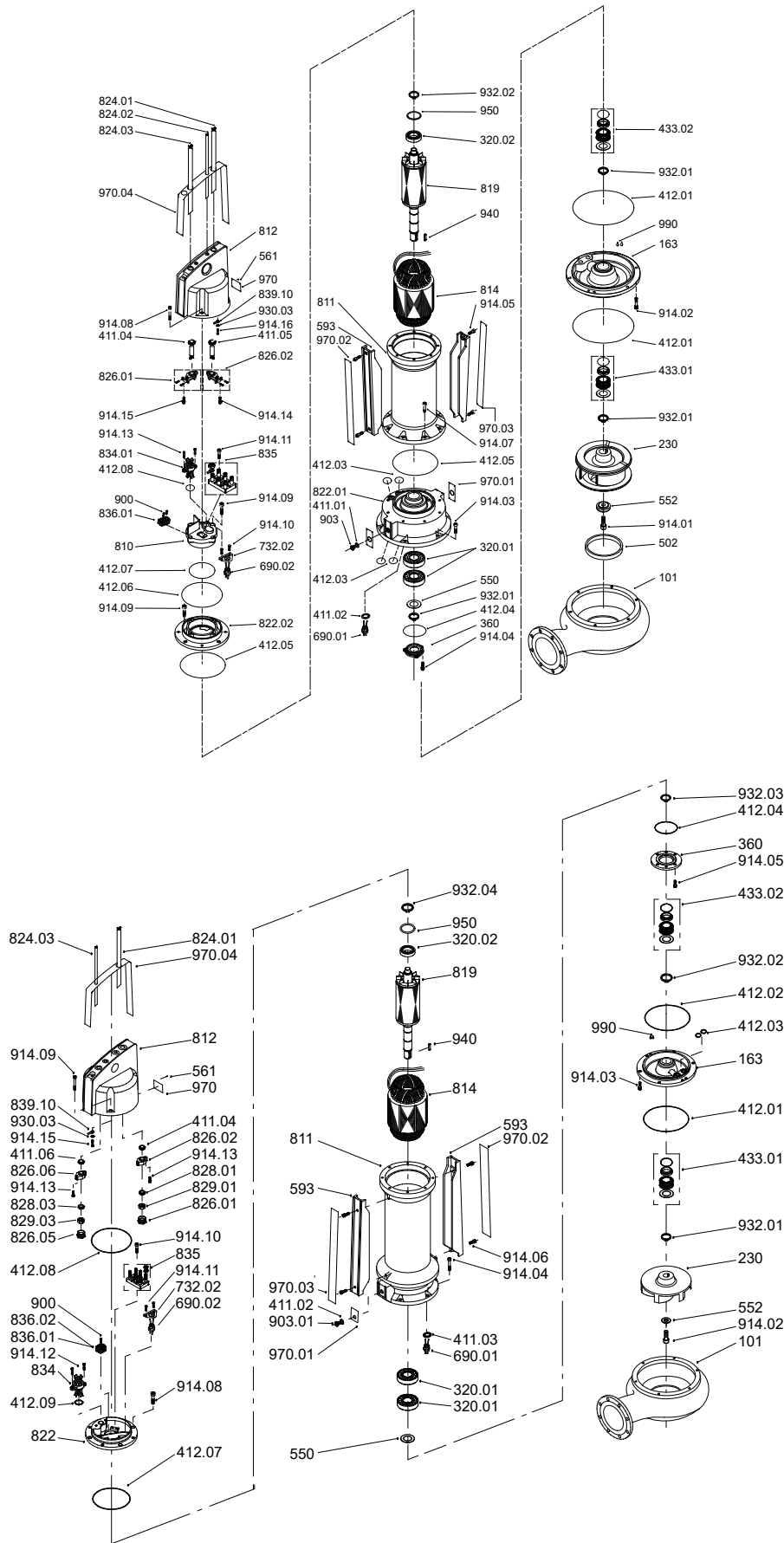
50 Hz

Pump type	With moisture sensors	Without moisture sensors	Dry installation D	Dry horizontal installation DH
AP80.100.107	96005378	96005377	96005379	96005379
AP80.150.250	96004008	96004008	96004009	96004009
AP80.150.300	96004008	96004008	96004009	96004009
AP80.150.330	96004008	96004008	96004009	96004009
AP80.150.350	96004014	96004014	96004015	96004015
AP80.150.370	96004014	96004014	96004015	96004015
AP80.150.450	96004014	96004014	96004015	96004015
AP80.100.107.Ex	96005380	96005377	96005381	96005381
AP80.150.250.Ex	96004008	96004008	96004009	96004009
AP80.150.300.Ex	96004008	96004008	96004009	96004009
AP80.150.330.Ex	96004008	96004008	96004009	96004009
AP80.150.350.Ex	96004014	96004014	96004015	96004015
AP80.150.370.Ex	96004014	96004014	96004015	96004015
AP80.150.450.Ex	96004014	96004014	96004015	96004015

60 Hz

Pump type	3 x 230 V	3 x 380 V	3 x 440 V	3 x 460 V
AP80.100.15	96005368	96005368	96005368	96005368
AP80.100.21	96005368	96005368	96005368	96005368
AP80.100.27	96005368	96005368	96005368	96005368
AP80.100.35	96005368	96005368	96005368	96005368
AP80.100.47	96005368	96005368	96005368	96005368
AP80.100.65	96005369	96005370	96005370	96005370
AP80.100.74	96005369	96005370	96005370	96005370
AP80.100.87	96005371	96005372	96005372	96005372
AP80.100.107	96005373	96005371	96005372	96005372

AP80



TM011734

TM016184

With vortex impeller

Pos.	Description
411	Cable entry
412	O-rings
433	shaft seal
826	Cable entry
828	Sealing ring (only: 96005382 - 88)

50 Hz

Pump type	Non-explosion-proof version		Explosion-proof version	
AP80.80.10.V	96005375		96005376	
AP80.80.13.V	96005375		96005376	
AP80.80.20.V	96005375		96005376	
AP80.80.26.V	96005375		96005376	
Pump type	With moisture sensors	Without moisture sensors	Dry installation D	Dry horizontal installation DH
AP80.80.48.V	96005378	96005377	96005379	96005379
AP80.80.65.V	96005378	96005377	96005379	96005379
AP80.80.92.V	96005378	96005377	96005379	96005379
AP80.80.107.V	96005378	96005377	96005379	96005379
AP80.80.160.V	96005383	96005382	96005385	96005385
AP80.80.190.V	96005383	96005382	96005385	96005385
AP80.80.250.V	96005384	96005382	96005386	96005386
AP80.80.48.V.Ex	96005380	96005377	96005381	96005381
AP80.80.65.V.Ex	96005380	96005377	96005381	96005381
AP80.80.92.V.Ex	96005380	96005377	96005381	96005381
AP80.80.107.V.Ex	96005380	96005377	96005381	96005381
AP80.80.160.V.Ex	96005387	96005387	96005388	96005388
AP80.80.190.V.Ex	96005387	96005387	96005388	96005388
AP80.80.250.V.Ex	96005387	96005387	96005388	96005388

Oil

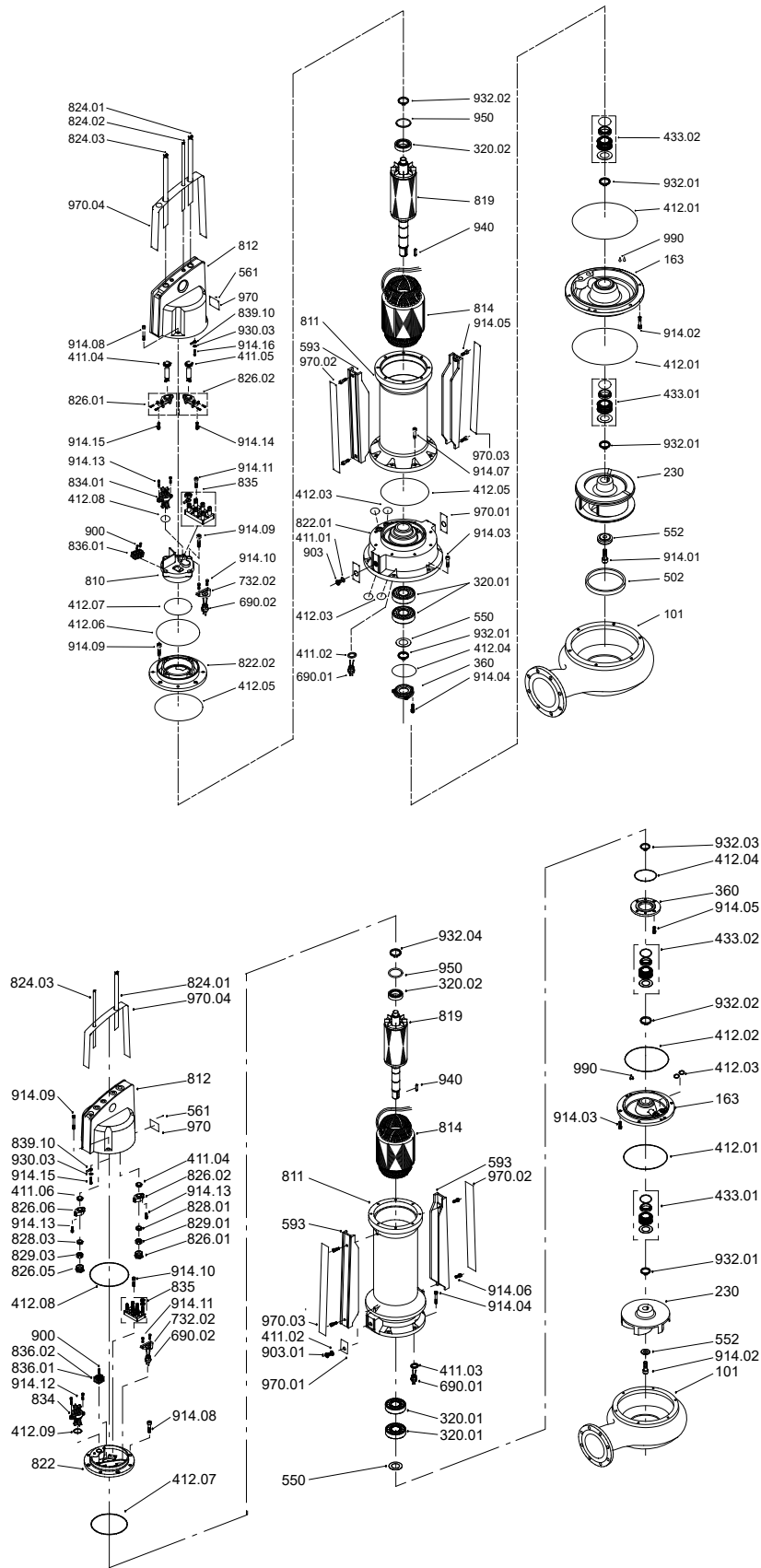
1 litre non-toxic oil, type Shell Ondina 15	96586753
---	----------

Thermal contact for three-phase motors

Thermal contact	96005389
-----------------	----------

Including three thermal switches for 140 °C and tape (class F)

AP80



TM011734

TM016184

AP100

50 Hz

Wear parts

Up to: AP100.150.170		From: AP100.150.220	
Pos.	Description	Pos.	Description
412	1 O-ring kit	411	1 rubber bush for cable entry
433.01	1 shaft seal kit complete	412	1 O-ring kit
433.02	1 secondary shaft seal kit	433	1 shaft seal kit complete
502	Neck ring	433	1 secondary shaft seal kit
826	1 cable entry	502	1 neck ring
		903	1 oil-filling screw

Pump type	With moisture sensors	Without moisture sensors	Dry installation D	Dry horizontal installation DH
AP100.100.24	96007162	96007162	96002277	96002277
AP100.100.32	96007162	96007162	96002278	96002278
AP100.100.45	96007162	96007162	96002278	96002278
AP100.100.54	96007162	96007162	96002278	96002278
AP100.100.61	96007162	96007162	96002278	96002278
AP100.100.80	96003818	96003816	96003819	96003819
AP100.100.115	96003818	96003817	96003819	96003819
AP100.100.130	96003818	96003817	96003819	96003819
AP100.100.135	96003818	96003817	96003819	96003819
AP100.150.80	96003818	96003816	96003819	96003819
AP100.150.115	96003818	96003817	96003819	96003819
AP100.150.130	96003818	96003817	96003819	96003819
AP100.150.170	96003818	96003817	96003819	96003819
AP100.150.220	96004008	96004008	96004009	96004009
AP100.150.260	96004008	96004008	96004009	96004009
AP100.150.300	96004008	96004008	96004009	96004009
AP100.150.330	96004008	96004008	96004009	96004009
AP100.200.170	96004010	96004010	96004011	96004011
AP100.200.200	96004010	96004010	96004011	96004011
AP100.200.220	96004010	96004010	96004011	96004011
AP100.200.250	96004010	96004010	96004011	96004011
AP100.100.24.Ex	96007162	96007162	96002279	96002279
AP100.100.32.Ex	96007162	96007162	96002280	96002280
AP100.100.45.Ex	96007162	96007162	96002280	96002280
AP100.100.54.Ex	96007162	96007162	96002280	96002280
AP100.100.61.Ex	96007162	96007162	96002280	96002280
AP100.100.80.Ex	96003821	96003820	96003822	96003822
AP100.100.115.Ex	96003821	96003820	96003822	96003822
AP100.100.130.Ex	96003821	96003820	96003822	96003822
AP100.100.135.Ex	96003821	96003820	96003822	96003822
AP100.150.80.Ex	96003821	96003820	96003822	96003822
AP100.150.115.Ex	96003821	96003820	96003822	96003822
AP100.150.130.Ex	96003821	96003820	96003822	96003822
AP100.150.170.Ex	96003821	96003820	96003822	96003822
AP100.150.220.Ex	96004008	96004008	96004009	96004009
AP100.150.260.Ex	96004008	96004008	96004009	96004009
AP100.150.300.Ex	96004008	96004008	96004009	96004009
AP100.150.330.Ex	96004008	96004008	96004009	96004009
AP100.200.170.Ex	96004010	96004010	96004011	96004011

Pump type	With moisture sensors	Without moisture sensors	Dry installation D	Dry horizontal installation DH
AP100.200.200.Ex	96004010	96004010	96004011	96004011
AP100.200.220.Ex	96004010	96004010	96004011	96004011
AP100.200.250.Ex	96004010	96004010	96004011	96004011

Oil

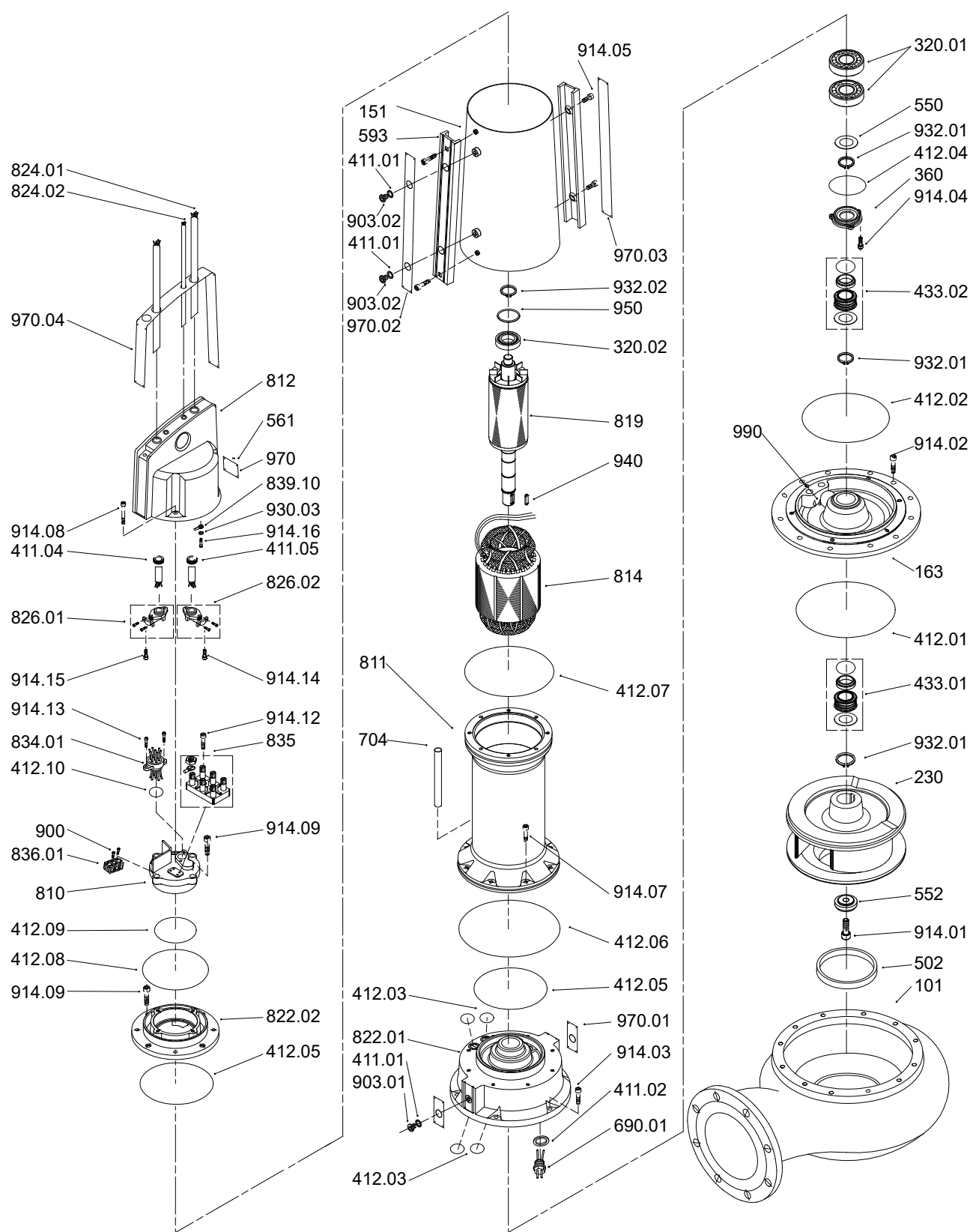
1 litre non-toxic oil, type Shell Ondina 15	96586753
---	----------

Thermal contact for three-phase motors

Thermal contact	96005389
-----------------	----------

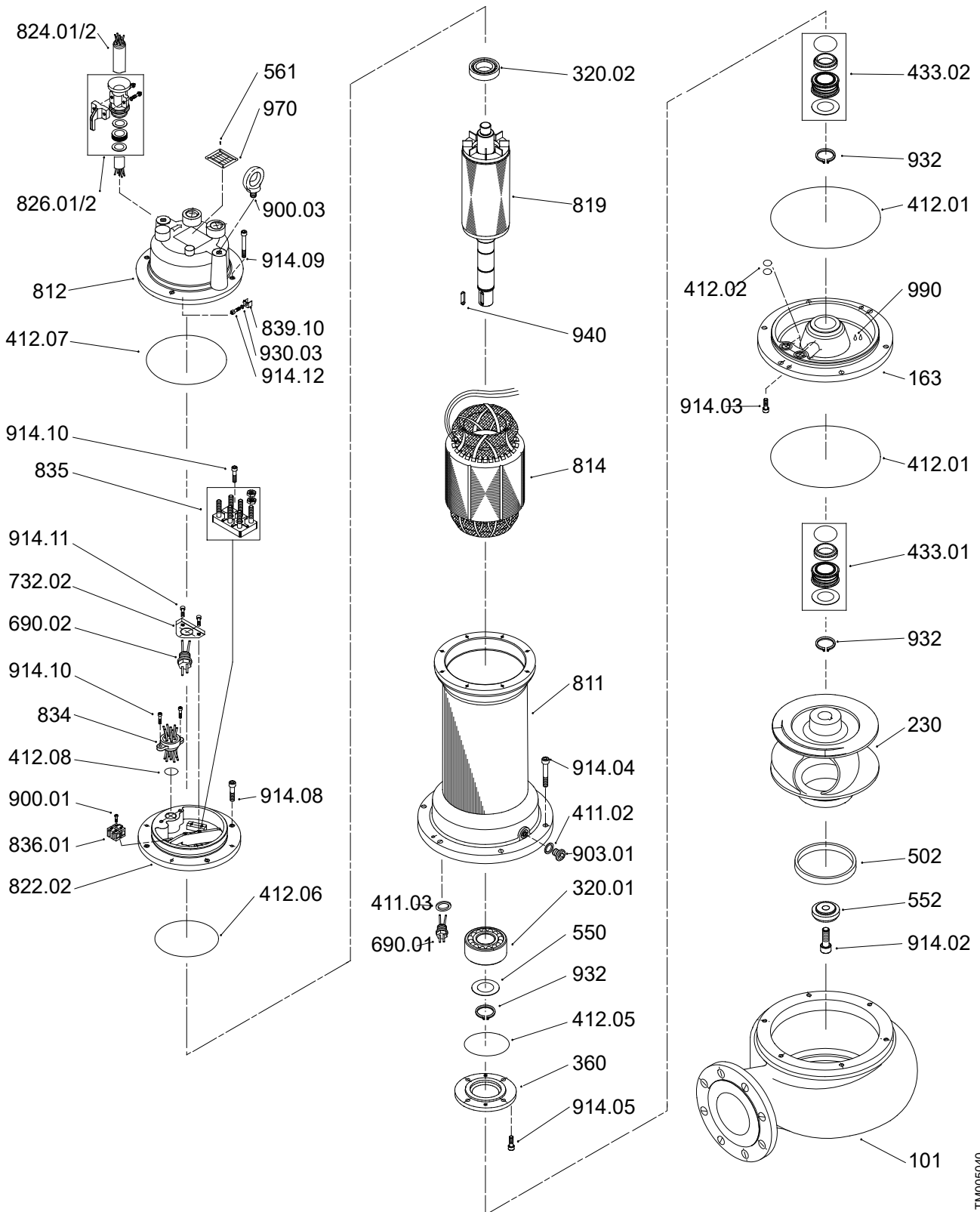
Including three thermal switches for 140 °C and tape (class F)

AP100.200/130.250xxx



TM011731

AP100



TM005040

AP130**Wear parts**

Pos.	Description
411	1 rubber bush for cable entry
412	1 O-ring kit
433.01	1 shaft seal kit complete
433.02	1 secondary shaft seal kit
502	1 neck ring
903	1 oil-filling screw

Pump type	With moisture sensors	Without moisture sensors	Dry installation D	Dry horizontal installation DH
AP130.250.170	96004012	96004012	96004013	96004013
AP130.250.200	96004012	96004012	96004013	96004013
AP130.250.220	96004012	96004012	96004013	96004013
AP130.250.250	96004012	96004012	96004013	96004013
AP130.250.300	96004016	96004016	96004017	96004017
AP130.250.350	96004016	96004016	96004017	96004017
AP130.250.170.Ex	96004012	96004012	96004013	96004013
AP130.250.200.Ex	96004012	96004012	96004013	96004013
AP130.250.220.Ex	96004012	96004012	96004013	96004013
AP130.250.250.Ex	96004012	96004012	96004013	96004013
AP130.250.300.Ex	96004016	96004016	96004017	96004017
AP130.250.350.Ex	96004016	96004016	96004017	96004017

Oil

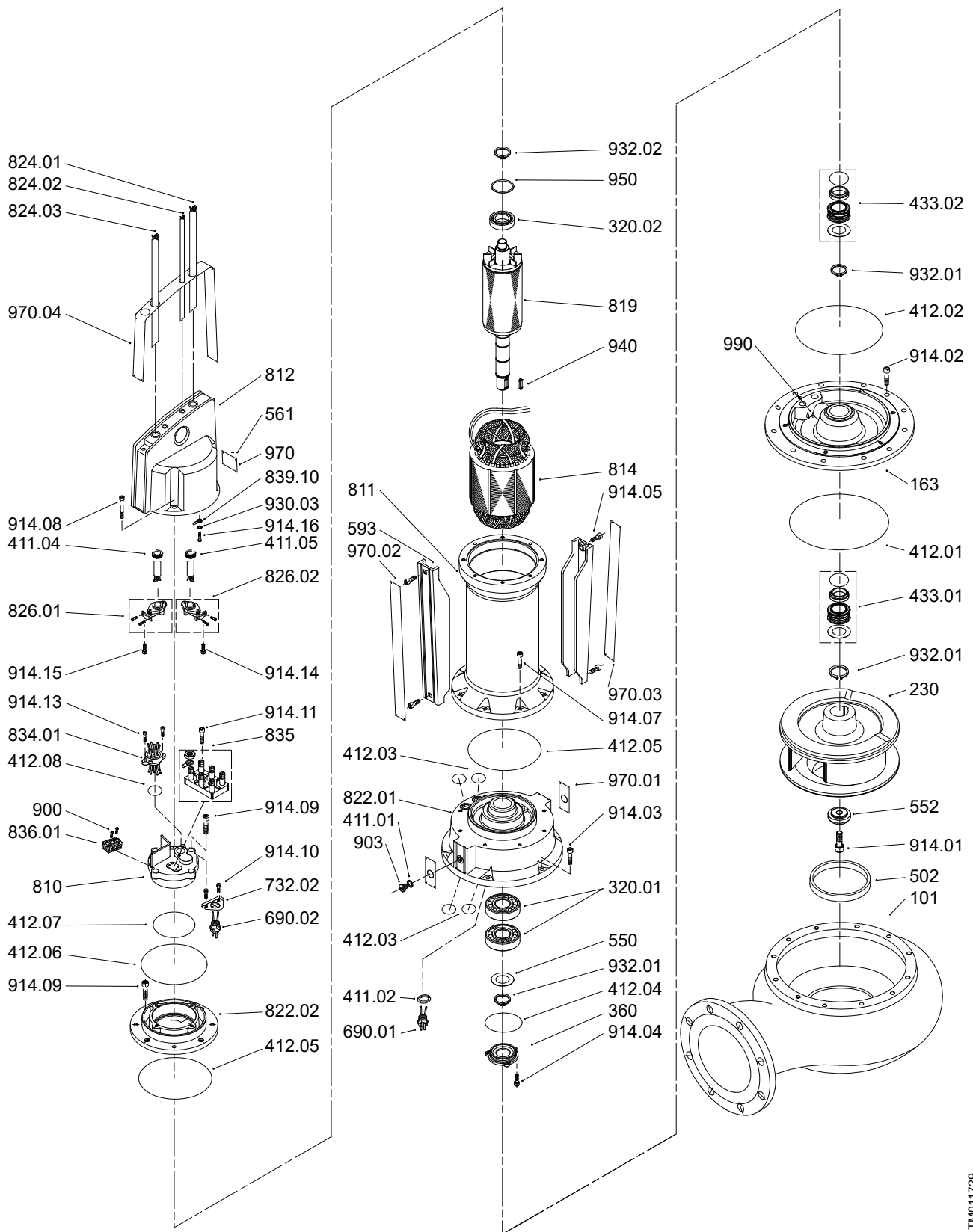
1 litre non-toxic oil, type Shell Ondina 15	96586753
---	----------

Thermal contact for three-phase motors

Thermal contact for three-phase motors	
Thermal contact	96005389

Including three thermal switches for 140 °C and tape (class F)

AP130



TM011729

APG**50/60 Hz, Models A and B****Wear parts**

Pos.	Description
420/433	1 shaft seal kit complete
412	1 O-ring kit
826	1 cable entry kit

Pump type	Model A	Model B
50 Hz		
APG.50.09	96003308	96007169
APG.50.11	96003308	96003308
APG.50.09.3.Ex, 11.1.Ex	96003696	96007178
APG.50.17, 18, 19	96003309	96007170
APG.50.19.3.Ex	96003310	96007171
APG.50.31	96003311	96007172
APG.50.31.3.Ex	96003307	96007171
60 Hz		
APG.50.11	96003308	96007169
APG.50.12	96003308	96003308
APG.50.18, 19	96003309	96007170
APG.50.29, 33	96003311	96007172

Control box

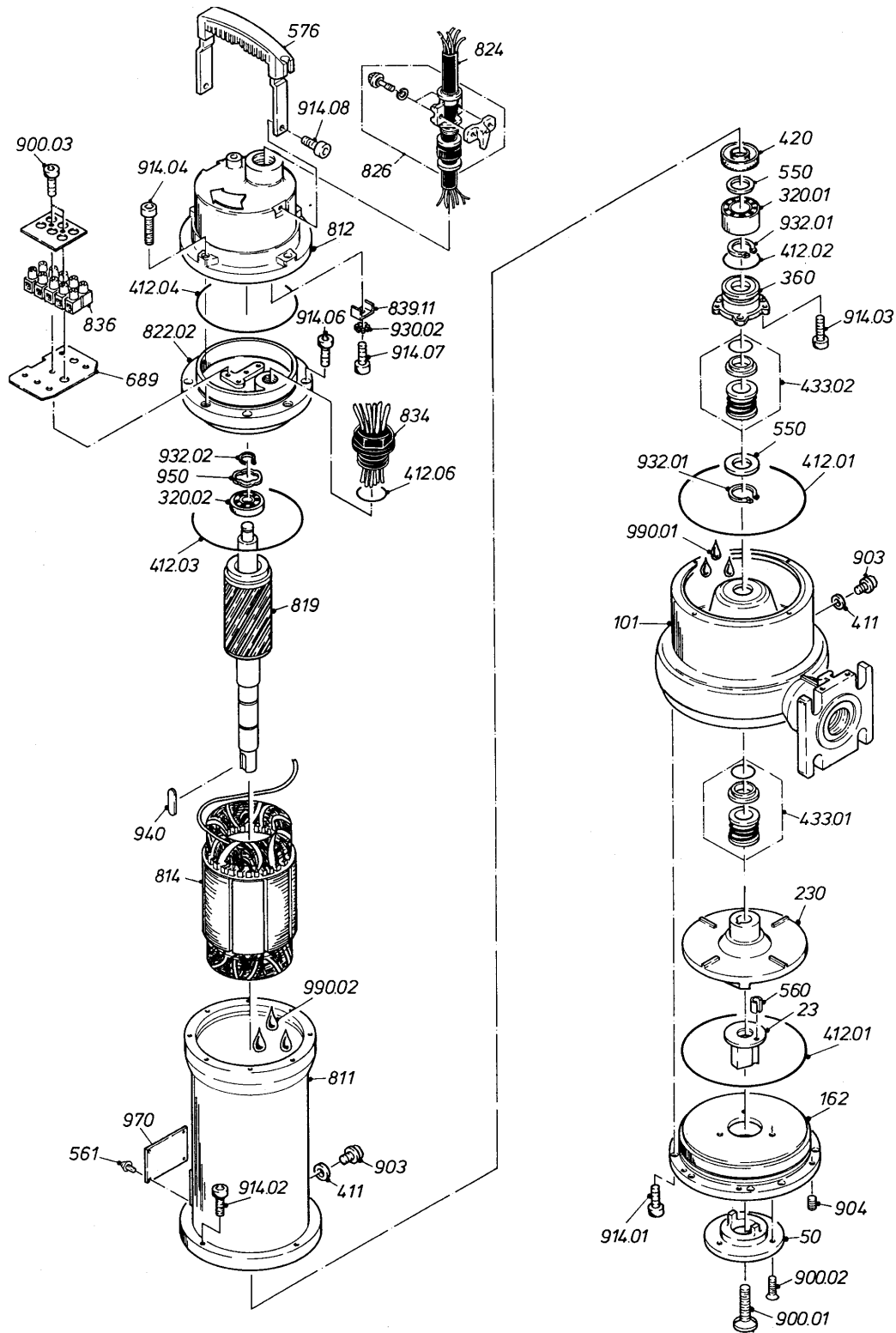
Product numbers of control boxes include these parts:

AP30.xx.xx.xA:	1 control box 10 m cable for float switch 1 float switch.
Other pumps:	1 control box (without relays for float switch).

Pump type	Voltage (V)	Control box	Schuko plug	CEE plug
50 Hz				
APG.50.09.A3	3 x 400			•
APG.50.09.A3	3 x 400			
APG.50.09.A3	3 x 230			
APG.50.11.1	1 x 230			
APG.50.11.1.A1	1 x 230			
APG.50.11.1.A1	1 x 230		•	
APG.50.18.1	1 x 230		•	
APG.50.18.1.A1	1 x 230			
APG.50.18.1.A1	1 x 230		•	
60 Hz				
APG.50.12.1	1 x 230			
APG.50.12.1.A1	1 x 230			
APG.50.18.1	1 x 230			
APG.50.18.A1	1 x 230			•
APG.50.30.1	1 x 230			
APG.50.30.A1	1 x 230			
APG.50.33.1	1 x 230			
APG.50.33.A1	1 x 230			

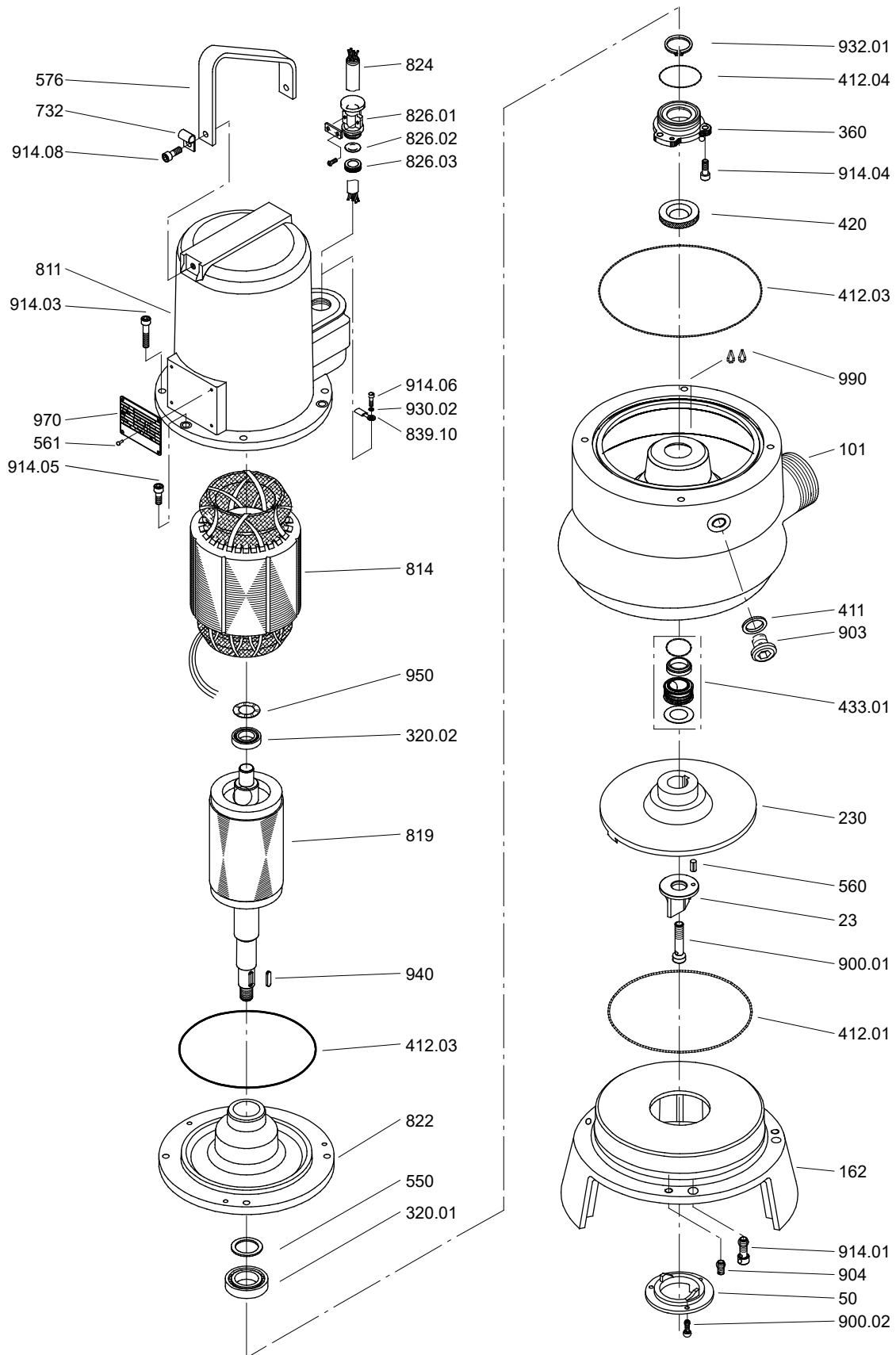
Oil	
1 litre non-toxic oil, type Shell Ondina 15	96586753
Thermal contact for three-phase motors	
Thermal contact	96005389

APG50.29-33, model A



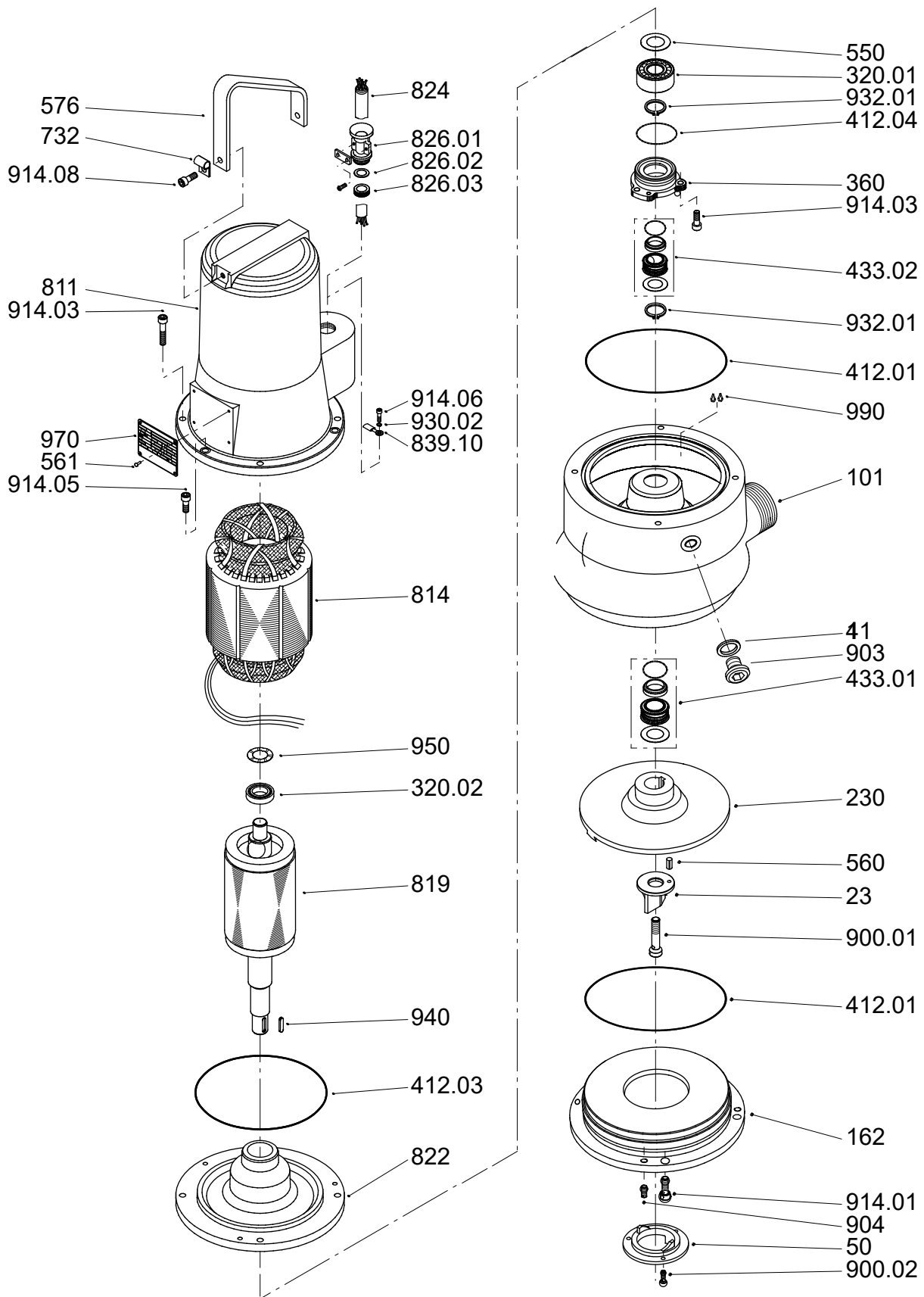
TM001987

APG50.09-11, model B



TM012591

APG50.17-18-19, model B



TM012593

APG**50 Hz****Wear parts**

Pos.	Description
23	1 cutter kit
433	1 shaft seal kit complete
412	1 O-ring kit
826	1 cable entry kit

Pump type

50 Hz	
APG.50.48.3.	96843315
APG.50.48.3.Ex	96843315
APg.50.65.3.	96843315
APG.50.65.3.Ex	96843315
APG.50.92.3.	96843315
APG.50.92.3.Ex	96843315

Moisture relay

Moisture relay	98123045
----------------	----------

Thermistor relay

Thermistor relay	98123042
------------------	----------

Thermal contact for three-phase motors

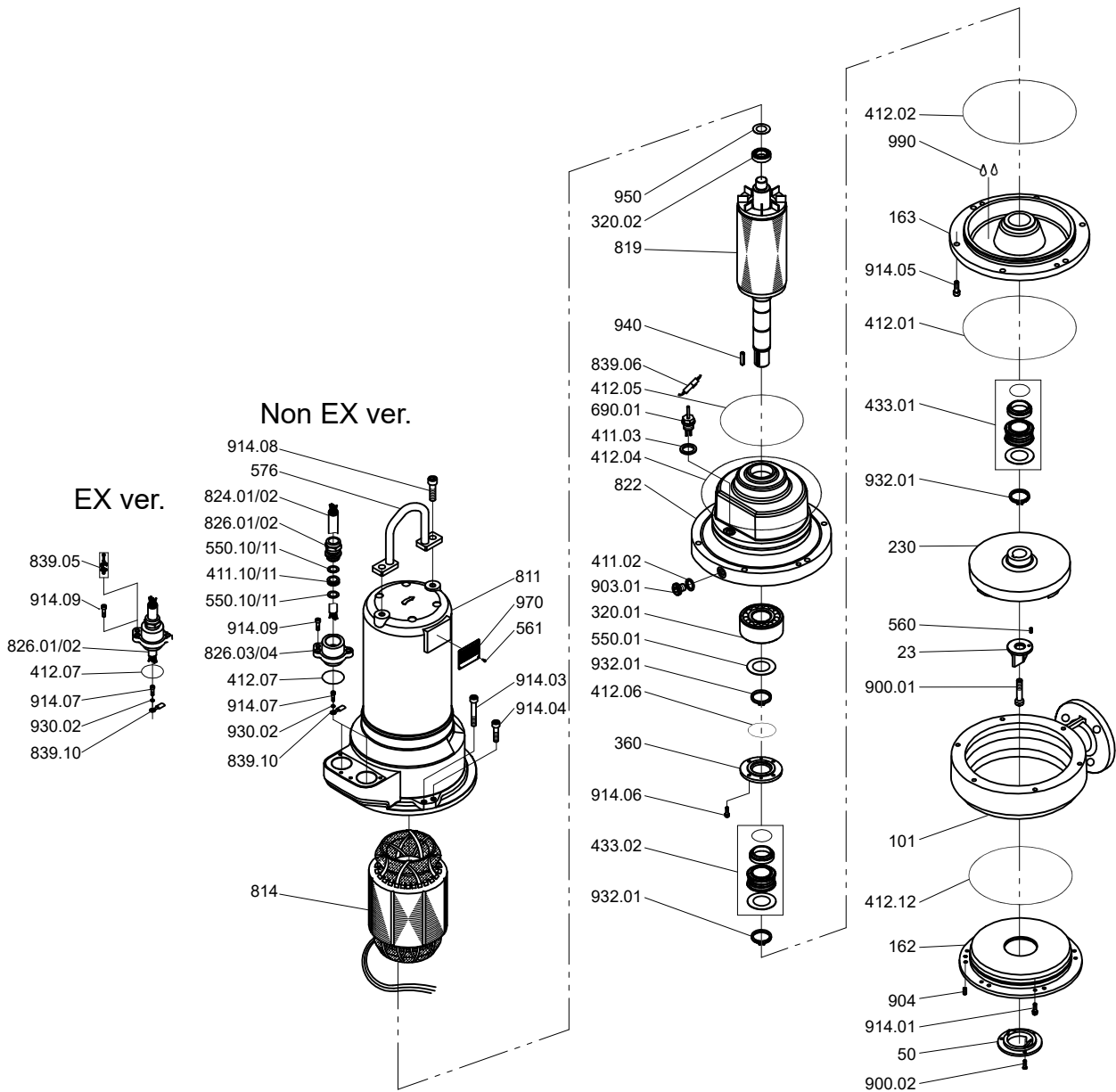
Thermal contact	96005389
-----------------	----------

Including three thermal switches for 140 °C and tape (class F)

Oil

1 litre non-toxic oil, type Shell Ondina 15	96586753
---	----------

APG.50.48-65-92



TM052277