

59. NK

Model A

50/60 Hz

(for product numbers Kx xx xx xx)

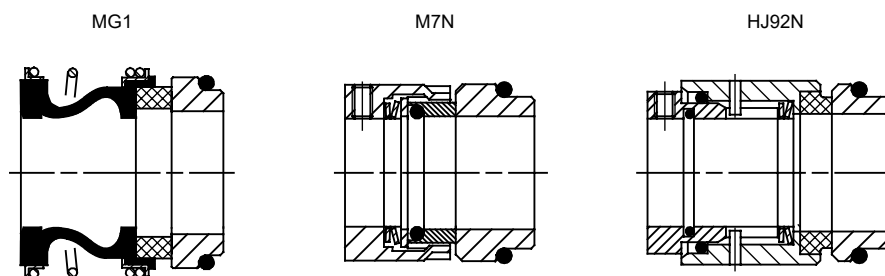
Mechanical shaft seals, pos. 4200 and 4201

Nominal diameter [mm]			Variant code/kit No						
Shaft		Sleeve	type/material						
d5	d3	d7	AQAV	AQVQ	AQQE	DQQE	DQQV	GQQE	GQQV
24	28		96433665	96433669	96433673	96433681	96433685	96433689	96433693
32	38		96433666	96433670	96433674	96433682	96433686	96591636	96433694
42	48		96433667	96433671	96433675	96433683	96433687	96433691	96433695
55*		65	96433668	96433672	96433676	96433684	96433688	96433692	96433696
Burgmann specification									
• Type			M7N/DW-00	M7N/DW-00	M7N/DW-00	HJ92N/DW	HJ92N/DW	MG1/DW-G6	MG1/DW-G6
Material			QAVGG	QQVGG	QQEGG	QQEGG	QQVGG	QQEGG	QQVGG

Nominal diameter [mm]			Variant code/kit No					
Shaft		Sleeve	type/material					
d5	d3	d7	BAQE	DAQF	BQQE	BQQV	BAQV	AQAE
24	28		96029201	96505023	96549071	96549064	96549065	96587315
32	38		96591630	96505022	96549072	96549066	96549067	96587316
42	48		96591237	96504926	96587317	96549069	96587314	96549070
55*		65	96591633	96504927	96422160	96029558	96029562	96029572
Burgmann specification								
• Type			MG1/DW-G6	HJ92N/DW	MG1/DW-G6	MG1/DW-G6	MG1/DW-G6	M7N/DV-00
Material			AQ1EGG	AQIM2GG		Q1Q1VGG	AQ1VGG	

- MG, a rubber bellows seal.
 - M7N, an O-ring seal.
 - HJ92N, a balanced O-ring seal on a smooth shaft.
- * Sleeves are used for this shaft size.

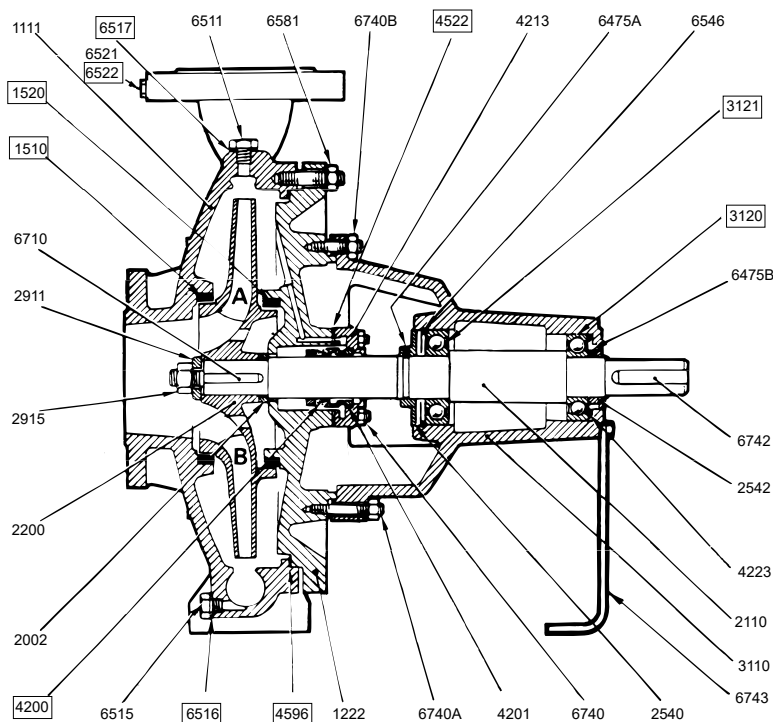
Drawings of shaft seal types



TMO19228

Stuffing box, pos. 4130 (gland packing with shaft sleeve)

Nominal diameter [mm]		Type/kit No				Ring diameter [mm]
Shaft	Sleeve	SNE	SNO	SNF	SKO	
d5	d7					
24	35	96029222	96029223	96029224	96029225	8 x 8
32	45	96029226	96029227	96029228	96029229	10 x 10
42	55	96029230	96029231	96029232	96029233	10 x 10
55	65	96029234	96029235	96029236	96029237	12 x 12
Number of rings		4	5	4	4	
Specification		Buraflon 5846/16 bar: -30 to +120 °C		Thermoflons 6230S/16 bar: -30 to +160 °C		



TM009796

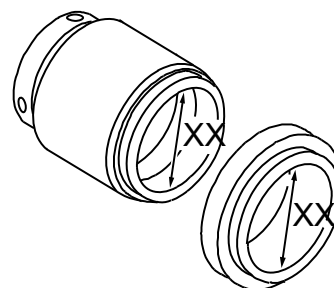
The numbers with rectangle outside represent as recommended spare part.

Pos.	Description	Pos.	Description	Pos.	Description
1111	Pump casing	3120	Ball bearing	6516	Gasket
1222	Seal box	3121	Ball bearing	6517	Gasket
1510	Neck ring	4200	Rotating seal ring	6521	Pressure tapping plug
1520	Neck ring	4201	Stationary seat	6522	Gasket
2002	Spacing pipe	4213	Cover for seal	6546	Retaining ring
2110	Shaft	4223	Elastic washer	6581	Stud + nut
2200	Impeller	4522	Gasket for cover	6710	Impeller key
2540	Thrower	4596	Gasket for pump	6740	Stud + nut
2542	Thrower	6475A	Thrower screw	6740A	Stud + nut
2911	Impeller washer	6475B	Thrower screw	6740B	Stud + nut
2915	Lock nut	6511	Priming plug	6742	Coupling key
3110	Bearing housing	6515	Drain plug	6743	Foot

Model B

Contents of this chapter

Kit type	Page
Shaft seal	59.3 Shaft seal
Spacer ring for shaft seal	59.5 Spacer ring for shaft seal
O-ring	59.7 O-ring
Stuffing box, shaft sleeve and gland	59.8 Stuffing box, shaft sleeve and gland
Stuffing box, shaft guard and pipe	59.9 Stuffing box, shaft guard and pipe
Shaft, bearings, spacer ring and V-ring	59.10 Shaft, bearings, spacer ring and V-ring
Wear ring	59.11 Wear ring
Impeller	59.12 Impeller
Nut, washer and key for impeller	59.13 Nut, washer and key for impeller
Coupling, Grundfos standard coupling and flender spacer coupling	59.14 Coupling
Coupling, flender standard coupling	59.15 Flender standard coupling
Sensor for NKE Series 2000	59.16 Sensor for NKE Series 2000



TM046827

Shaft seal		
MG13/RMG13	HJ92N/HJ977	M7N

Shaft seal designs

Content

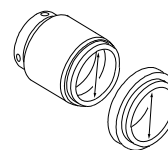
Pos.	Description	BAQE	BAQV	BQQE	BQQV	BBQE	BBQV	GQQE	GQQV	DAQF	
105	Shaft seal	1	1	1	1	1	1	1	1	1	
Burgmann specification	Type	MG13/ XX-G6	MG13/ XX-G6	MG13/ XX-G6	MG13/ XX-G6	MG13/ XX-G6	MG13/ XX-G6	MG13S50/ XX-G6	MG13S50/ XX-G6	HJ92N/ XX-00	
	Material	Material code: A, B, C, D, E, F, G, H, I, J, K, M, N, P, S, T, U, W									
		AQ1E GG	AQ1V GG	Q7Q7E GG	Q7Q7V GG	BQ1E GG	BQ1V GG	Q1Q1E GG	Q1Q1V GG	AQ1V9 GG	
		Material code: L, R									
AQ1E MM	AQ1V MM	Q1Q1E MM	Q1Q1V MM	BQ1E MM	BQ1V MM	Q1Q1E MM	Q1Q1V MM	AQ1V9 MM			
Pos.	Description	DQQE	DQQV	DQQX	DQQK	AQQE	AQQX	AQQK	AQQV	AQAE	AQAV
105	Shaft seal	1	1	1	1	1	1	1	1	1	1
Burgmann specification	Type	HJ92N/ XX-00	HJ92N/ XX-00	HJ92N/ XX-00	HJ92N/ XX-00	M7N/ XX-00	M7N/ XX-00	M7N/ XX-00	M7N/ XX-00	M7N/ XX-00	M7N/ XX-00
	Material	Material code: A, B, C, D, E, F, G, H, I, J, K, M, N, P, S, T, U, W									
		Q6Q6E GG	Q6Q6V GG	Q6Q6X4 GG	Q6Q6K23 GG	Q1Q1E GG	Q1Q1X4 GG	Q1Q1K23 GG	Q1Q1V GG	Q1AE GG	Q1AV GG
		Material code: L, R									
Q6Q6E MM	Q6Q6V MM	Q6Q6X4MM	Q6Q6K23M	Q1Q1E MM	Q1Q1X4MM	Q1Q1K23 MM	Q1Q1V MM	Q1AE MM	Q1AV MM		

Note: XX = 28, 38, 48, 55 or 60. XX is the internal diameter of the shaft seal.

Shaft seal

Material code: A, B, C, D, E, F, G, H, I, J, K, M, N, P, S, T, U, W

The material code can be found in the type designation on the nameplate.



NK 32 125 .1 A1 F 1 (A) E S BAQE

Shaft seal diameter

Pump type	Shaft seal dia.	BAQE	BAQV	BQQE	BQQV	BQQV ¹⁶⁹⁾	BBQE	BBQV	BQBE	GQQE	GQQV	DAQF	
		MG13	MG13	MG13	MG13	MG13	MG13	MG13	MG13	RMG13	MG13S	MG13S	HJ92N
32-	125.1	28	96488302	96548353	98434904	98434905	98670789	96551963	97769885	96548351	96488303	96504870	96548355
	160.1	28	96488302	96548353	98434904	98434905	98670789	96551963	97769885	96548351	96488303	96504870	96548355
	200.1	28	96488302	96548353	98434904	98434905	98670789	96551963	97769885	96548351	96488303	96504870	96548355
	125	28	96488302	96548353	98434904	98434905	98670789	96551963	97769885	96548351	96488303	96504870	96548355
	160	28	96488302	96548353	98434904	98434905	98670789	96551963	97769885	96548351	96488303	96504870	96548355
	200	28	96488302	96548353	98434904	98434905	98670789	96551963	97769885	96548351	96488303	96504870	96548355
	250	28	96488302	96548353	98434904	98434905	98670789	96551963	97769885	96548351	96488303	96504870	96548355
40-	125	28	96488302	96548353	98434904	98434905	98670789	96551963	97769885	96548351	96488303	96504870	96548355
	160	28	96488302	96548353	98434904	98434905	98670789	96551963	97769885	96548351	96488303	96504870	96548355
	200	28	96488302	96548353	98434904	98434905	98670789	96551963	97769885	96548351	96488303	96504870	96548355
	250	28	96488302	96548353	98434904	98434905	98670789	96551963	97769885	96548351	96488303	96504870	96548355
50-	315	38	96537605	96548357	98434906	98434908	98670790	96551928	97769887	96548356	96537606	96537608	96548359
	125	28	96488302	96548353	98434904	98434905	98670789	96551963	97769885	96548351	96488303	96504870	96548355
	160	28	96488302	96548353	98434904	98434905	98670789	96551963	97769885	96548351	96488303	96504870	96548355
	200	28	96488302	96548353	98434904	98434905	98670789	96551963	97769885	96548351	96488303	96504870	96548355
	250	28	96488302	96548353	98434904	98434905	98670789	96551963	97769885	96548351	96488303	96504870	96548355
65-	315	38	96537605	96548357	98434906	98434908	98670790	96551928	97769887	96548356	96537606	96537608	96548359
	125	28	96488302	96548353	98434904	98434905	98670789	96551963	97769885	96548351	96488303	96504870	96548355
	160	28	96488302	96548353	98434904	98434905	98670789	96551963	97769885	96548351	96488303	96504870	96548355
	200	28	96488302	96548353	98434904	98434905	98670789	96551963	97769885	96548351	96488303	96504870	96548355
	250	38	96537605	96548357	98434906	98434908	98670790	96551928	97769887	96548356	96537606	96537608	96548359
80-	315	38	96537605	96548357	98434906	98434908	98670790	96551928	97769887	96548356	96537606	96537608	96548359
	160	28	96488302	96548353	98434904	98434905	98670789	96551963	97769885	96548351	96488303	96504870	96548355
	200	38	96537605	96548357	98434906	98434908	98670790	96551928	97769887	96548356	96537606	96537608	96548359
	250	38	96537605	96548357	98434906	98434908	98670790	96551928	97769887	96548356	96537606	96537608	96548359
	315	38	96537605	96548357	98434906	98434908	98670790	96551928	97769887	96548356	96537606	96537608	96548359
100-	315 ¹⁷⁰⁾	48	96306472	96658791	98434909	98434941	98670801	96658794	97769889	-	96306474	96658793	96658796
	400	48	96306472	96658791	98434909	98434941	98670801	96658794	97769889	-	96306474	96658793	96658796
	160	28	96488302	96548353	98434904	98434905	98670789	96551963	97769885	96548351	96488303	96504870	96548355
	200	38	96537605	96548357	98434906	98434908	98670790	96551928	97769887	96548356	96537606	96537608	96548359
	250	38	96537605	96548357	98434906	98434908	98670790	96551928	97769887	96548356	96537606	96537608	96548359
125-	250 ¹⁷⁰⁾	48	96306472	96658791	98434909	98434941	98670801	96658794	97769889	-	96306474	96658793	96658796
	315	38	96537605	96548357	98434906	98434908	98670790	96551928	97769887	96548356	96537606	96537608	96548359
	315 ¹⁷⁰⁾	48	96306472	96658791	98434909	98434941	98670801	96658794	97769889	-	96306474	96658793	96658796
	400	48	96306472	96658791	98434909	98434941	98670801	96658794	97769889	-	96306474	96658793	96658796
	200	38	96537605	96548357	98434906	98434908	98670790	96551928	97769887	96548356	96537606	96537608	96548359
250	38	96537605	96548357	98434906	98434908	98670790	96551928	97769887	96548356	96537606	96537608	96548359	
250 ¹⁷⁰⁾	48	96306472	96658791	98434909	98434941	98670801	96658794	97769889	-	96306474	96658793	96658796	
315	48	96306472	96658791	98434909	98434941	98670801	96658794	97769889	-	96306474	96658793	96658796	
400	48	96306472	96658791	98434909	98434941	98670801	96658794	97769889	-	96306474	96658793	96658796	
500	60	96658812	96658815	98434945	98434947	98670803	96658818	97769893	-	96658814	96658817	96658820	

Pump type	Shaft seal dia.	BAQE	BAQV	BQQE	BQQV	BQQV ¹⁶⁹⁾	BBQE	BBQV	BQBE	GQQE	GQQV	DAQF	
		MG13	MG13	MG13	MG13	MG13	MG13	MG13	MG13	RMG13	MG13S	MG13S	HJ92N
	200	38	96537605	96548357	98434906	98434908	98670790	96551928	97769887	96548356	96537606	96537608	96548359
	250	48	96306472	96658791	98434909	98434941	98670801	96658794	97769889	-	96306474	96658793	96658796
	315.1	48	96306472	96658791	98434909	98434941	98670801	96658794	97769889	-	96306474	96658793	96658796
	315.2	48	96306472	96658791	98434909	98434941	98670801	96658794	97769889	-	96306474	96658793	96658796
150-	315	48	96306472	96658791	98434909	98434941	98670801	96658794	97769889	-	96306474	96658793	96658796
	400	48	96306472	96658791	98434909	98434941	98670801	96658794	97769889	-	96306474	96658793	96658796
	400 ¹⁷⁰⁾	55	96306475	96658801	98434943	98434944	98670802	96658804	97769891	-	96306477	96658803	96658807
	500	60	96658812	96658815	98434945	98434947	98670803	96658818	97769893	-	96658814	96658817	96658820
200-	400	55	96306475	96658801	98434943	98434944	98670802	96658804	97769891	-	96306477	96658803	96658807
	450	55	96306475	96658801	98434943	98434944	98670802	96658804	97769891	-	96306477	96658803	96658807
	350	55	96306475	96658801	98434943	98434944	98670802	96658804	97769891	-	96306477	96658803	96658807
250-	400	55	96306475	96658801	98434943	98434944	98670802	96658804	97769891	-	96306477	96658803	96658807
	450	60	96658812	96658815	98434945	98434947	98670803	96658818	97769893	-	96658814	96658817	96658820
	500	60	96658812	96658815	98434945	98434947	98670803	96658818	97769893	-	96658814	96658817	96658820

16 PWIS-free shaft seal.
 9)
 17 Oversize pump.
 0)

Content, see chapter Model B section Contents of this chapter.

Pump type	Shaft seal dia.	DQQE	DQQK	DQQV	DQQX	AQQE	AQQK	AQQV	AQQX	AQAE	AQAV	
		HJ977GN	HJ977GN	HJ977GN	HJ977GN	M7N	M7N	M7N	M7N	M7N	M7N	
	125.1	28	97769895	97769911	97769899	97769907	96551965	97769915	96551967	97769903	96551964	96551966
	160.1	28	97769895	97769911	97769899	97769907	96551965	97769915	96551967	97769903	96551964	96551966
	200.1	28	97769895	97769911	97769899	97769907	96551965	97769915	96551967	97769903	96551964	96551966
32-	125	28	97769895	97769911	97769899	97769907	96551965	97769915	96551967	97769903	96551964	96551966
	160	28	97769895	97769911	97769899	97769907	96551965	97769915	96551967	97769903	96551964	96551966
	200	28	97769895	97769911	97769899	97769907	96551965	97769915	96551967	97769903	96551964	96551966
	250	28	97769895	97769911	97769899	97769907	96551965	97769915	96551967	97769903	96551964	96551966
	125	28	97769895	97769911	97769899	97769907	96551965	97769915	96551967	97769903	96551964	96551966
	160	28	97769895	97769911	97769899	97769907	96551965	97769915	96551967	97769903	96551964	96551966
40-	200	28	97769895	97769911	97769899	97769907	96551965	97769915	96551967	97769903	96551964	96551966
	250	28	97769895	97769911	97769899	97769907	96551965	97769915	96551967	97769903	96551964	96551966
	315	38	97769897	97769913	97769901	97769909	96551960	97769917	96551962	97769905	96551929	96551961
	125	28	97769895	97769911	97769899	97769907	96551965	97769915	96551967	97769903	96551964	96551966
	160	28	97769895	97769911	97769899	97769907	96551965	97769915	96551967	97769903	96551964	96551966
50-	200	28	97769895	97769911	97769899	97769907	96551965	97769915	96551967	97769903	96551964	96551966
	250	28	97769895	97769911	97769899	97769907	96551965	97769915	96551967	97769903	96551964	96551966
	315	38	97769897	97769913	97769901	97769909	96551960	97769917	96551962	97769905	96551929	96551961
	125	28	97769895	97769911	97769899	97769907	96551965	97769915	96551967	97769903	96551964	96551966
	160	28	97769895	97769911	97769899	97769907	96551965	97769915	96551967	97769903	96551964	96551966
65-	200	28	97769895	97769911	97769899	97769907	96551965	97769915	96551967	97769903	96551964	96551966
	250	38	97769897	97769913	97769901	97769909	96551960	97769917	96551962	97769905	96551929	96551961
	315	38	97769897	97769913	97769901	97769909	96551960	97769917	96551962	97769905	96551929	96551961
	160	28	97769895	97769911	97769899	97769907	96551965	97769915	96551967	97769903	96551964	96551966
	200	38	97769897	97769913	97769901	97769909	96551960	97769917	96551962	97769905	96551929	96551961
80-	250	38	97769897	97769913	97769901	97769909	96551960	97769917	96551962	97769905	96551929	96551961
	315	38	97769897	97769913	97769901	97769909	96551960	97769917	96551962	97769905	96551929	96551961
	315 ¹⁷¹⁾	48	97685509	97685516	97685511	97685514	96658799	97685504	96658800	97685501	96658797	96658798
	400	48	97685509	97685516	97685511	97685514	96658799	97685504	96658800	97685501	96658797	96658798

Pump type	Shaft seal dia.	DQQE	DQQK	DQQV	DQQX	AQQE	AQQK	AQQV	AQQX	AQAE	AQAV	
		HJ977GN	HJ977GN	HJ977GN	HJ977GN	M7N	M7N	M7N	M7N	M7N	M7N	
100-	160	28	97769895	97769911	97769899	97769907	96551965	97769915	96551967	97769903	96551964	96551966
	200	38	97769897	97769913	97769901	97769909	96551960	97769917	96551962	97769905	96551929	96551961
	250	38	97769897	97769913	97769901	97769909	96551960	97769917	96551962	97769905	96551929	96551961
	250 ¹⁷¹⁾	48	97685509	97685516	97685511	97685514	96658799	97685504	96658800	97685501	96658797	96658798
	315	38	97769897	97769913	97769901	97769909	96551960	97769917	96551962	97769905	96551929	96551961
	315 ¹⁷¹⁾	48	97685509	97685516	97685511	97685514	96658799	97685504	96658800	97685501	96658797	96658798
	400	48	97685509	97685516	97685511	97685514	96658799	97685504	96658800	97685501	96658797	96658798
125-	200	38	97769897	97769913	97769901	97769909	96551960	97769917	96551962	97769905	96551929	96551961
	250	38	97769897	97769913	97769901	97769909	96551960	97769917	96551962	97769905	96551929	96551961
	250 ¹⁷¹⁾	48	97685509	97685516	97685511	97685514	96658799	97685504	96658800	97685501	96658797	96658798
	315	48	97685509	97685516	97685511	97685514	96658799	97685504	96658800	97685501	96658797	96658798
	400	48	97685509	97685516	97685511	97685514	96658799	97685504	96658800	97685501	96658797	96658798
	500	60	97685598	97685610	97685602	97685606	96658823	97685590	96658824	97685586	96658821	96658822
150-	200	38	97769897	97769913	97769901	97769909	96551960	97769917	96551962	97769905	96551929	96551961
	250	48	97685509	97685516	97685511	97685514	96658799	97685504	96658800	97685501	96658797	96658798
	315.1	48	97685509	97685516	97685511	97685514	96658799	97685504	96658800	97685501	96658797	96658798
	315.2	48	97685509	97685516	97685511	97685514	96658799	97685504	96658800	97685501	96658797	96658798
	315	48	97685509	97685516	97685511	97685514	96658799	97685504	96658800	97685501	96658797	96658798
	400	48	97685509	97685516	97685511	97685514	96658799	97685504	96658800	97685501	96658797	96658798
	400 ¹⁷¹⁾	55	97685596	97685608	97685600	97685604	96658810	97685588	96658811	97685584	96658808	96658809
	500	60	97685598	97685610	97685602	97685606	96658823	97685590	96658824	97685586	96658821	96658822
200-	400	55	97685596	97685608	97685600	97685604	96658810	97685588	96658811	97685584	96658797	96658798
	450	55	97685596	97685608	97685600	97685604	96658810	97685588	96658811	97685584	96658797	96658798
	350	55	97685596	97685608	97685600	97685604	96658810	97685588	96658811	97685584	96658797	96658798
250-	400	55	97685596	97685608	97685600	97685604	96658810	97685588	96658811	97685584	96658797	96658798
	450	60	97685598	97685610	97685602	97685606	96658823	97685590	96658824	97685586	96658821	96658822
	500	60	97685598	97685610	97685602	97685606	96658823	97685590	96658824	97685586	96658821	96658822

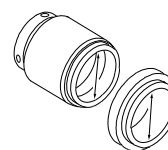
¹⁷ Oversize pump.
1)

Content, see chapter Model B section Contents of this chapter.

Shaft seal

Material code: L, R

The material code can be found in the type designation on the nameplate.



NK 32-125.1 A1 F1(L)E S BAQE

Shaft seal diameter

Pump type	Shaft seal dia.	BAQE	BAQV	BQQE	BQQV	BQQV ¹⁷²⁾	BBQE	BBQV	BQBE	GQQE	GQQV	DAQF	
		MG13	MG13	MG13	MG13	MG13	MG13	MG13	RMG13	MG13S	MG13S	HJ92N	
125.1	28	96658825	96658827	96658826	96658828	98670804	96658829	97769886	96658830	-	-	96658831	
	160.1	28	96658825	96658827	96658826	96658828	98670804	96658829	97769886	96658830	-	-	96658831
	200.1	28	96658825	96658827	96658826	96658828	98670804	96658829	97769886	96658830	-	-	96658831
32-	125	28	96658825	96658827	96658826	96658828	98670804	96658829	97769886	96658830	-	-	96658831
	160	28	96658825	96658827	96658826	96658828	98670804	96658829	97769886	96658830	-	-	96658831
	200	28	96658825	96658827	96658826	96658828	98670804	96658829	97769886	96658830	-	-	96658831
	250	28	96658825	96658827	96658826	96658828	98670804	96658829	97769886	96658830	-	-	96658831
40-	125	28	96658825	96658827	96658826	96658828	98670804	96658829	97769886	96658830	-	-	96658831
	160	28	96658825	96658827	96658826	96658828	98670804	96658829	97769886	96658830	-	-	96658831
	200	28	96658825	96658827	96658826	96658828	98670804	96658829	97769886	96658830	-	-	96658831
	250	28	96658825	96658827	96658826	96658828	98670804	96658829	97769886	96658830	-	-	96658831
50-	315	38	96658836	96658838	96658837	96658839	98670805	96658850	97769888	96658851	-	-	96658852
	125	28	96658825	96658827	96658826	96658828	98670804	96658829	97769886	96658830	-	-	96658831
	160	28	96658825	96658827	96658826	96658828	98670804	96658829	97769886	96658830	-	-	96658831
	200	28	96658825	96658827	96658826	96658828	98670804	96658829	97769886	96658830	-	-	96658831
65-	250	28	96658825	96658827	96658826	96658828	98670804	96658829	97769886	96658830	-	-	96658831
	315	38	96658836	96658838	96658837	96658839	98670805	96658850	97769888	96658851	-	-	96658852
	160	28	96658825	96658827	96658826	96658828	98670804	96658829	97769886	96658830	-	-	96658831
	200	38	96658836	96658838	96658837	96658839	98670805	96658850	97769888	96658851	-	-	96658852
80-	250	38	96658836	96658838	96658837	96658839	98670805	96658850	97769888	96658851	-	-	96658852
	315	38	96658836	96658838	96658837	96658839	98670805	96658850	97769888	96658851	-	-	96658852
	315 173)	48	96658857	96658860	96658858	96658861	98670806	96658862	97769890	-	-	-	96658863
	400	48	96658857	96658860	96658858	96658861	98670806	96658862	97769890	-	-	-	96658863
100-	160	28	96658825	96658827	96658826	96658828	98670804	96658829	97769886	96658830	-	-	96658831
	200	38	96658836	96658838	96658837	96658839	98670805	96658850	97769888	96658851	-	-	96658852
	250	38	96658836	96658838	96658837	96658839	98670805	96658850	97769888	96658851	-	-	96658852
	250 173)	48	96658857	96658860	96658858	96658861	98670806	96658862	97769890	-	-	-	96658863
125-	315	38	96658836	96658838	96658837	96658839	98670805	96658850	97769888	96658851	-	-	96658852
	315 173)	48	96658857	96658860	96658858	96658861	98670806	96658862	97769890	-	-	-	96658863
	400	48	96658857	96658860	96658858	96658861	98670806	96658862	97769890	-	-	-	96658863
	200	38	96658836	96658838	96658837	96658839	98670805	96658850	97769888	96658851	-	-	96658852
125-	250	38	96658836	96658838	96658837	96658839	98670805	96658850	97769888	96658851	-	-	96658852
	250 173)	48	96658857	96658860	96658858	96658861	98670806	96658862	97769890	-	-	-	96658863
	315	48	96658857	96658860	96658858	96658861	98670806	96658862	97769890	-	-	-	96658863
	400	48	96658857	96658860	96658858	96658861	98670806	96658862	97769890	-	-	-	96658863
500	60	97769920	97769922	97769928	97769930	98670808	97769932	97769894	-	-	-	97536595	

Pump type	Shaft seal dia.	BAQE	BAQV	BQQE	BQQV	BQQV ¹⁷²⁾	BBQE	BBQV	BQBE	GQQE	GQQV	DAQF
		MG13	MG13	MG13	MG13	MG13	MG13	MG13	RMG13	MG13S	MG13S	HJ92N
	200	38	96658836	96658838	96658837	96658839	98670805	96658850	97769888	96658851	-	96658852
	250	48	96658857	96658860	96658858	96658861	98670806	96658862	97769890	-	-	96658863
	315.1	48	96658857	96658860	96658858	96658861	98670806	96658862	97769890	-	-	96658863
	315.2	48	96658857	96658860	96658858	96658861	98670806	96658862	97769890	-	-	96658863
150-	315	48	96658857	96658860	96658858	96658861	98670806	96658862	97769890	-	-	96658863
	400	48	96658857	96658860	96658858	96658861	98670806	96658862	97769890	-	-	96658863
	400 ¹⁷³⁾	55	97769919	97769921	97769927	97769929	98670807	97769931	97769892	-	-	97536552
	500	60	97769920	97769922	97769928	97769930	98670808	97769932	97769894	-	-	97536595
200-	400	55	-	-	-	-	-	-	-	-	-	-
	450	55	-	-	-	-	-	-	-	-	-	-
	350	55	-	-	-	-	-	-	-	-	-	-
250-	400	55	-	-	-	-	-	-	-	-	-	-
	450	60	-	-	-	-	-	-	-	-	-	-
	500	60	-	-	-	-	-	-	-	-	-	-

17 PWIS-free shaft seal.

2)

17 Oversize pump.

3)

Content, see chapter Model B section Contents of this chapter.

Pump type	Shaft seal dia.	DQQE	DQQK	DQQV	DQQX	AQQE	AQQK	AQQV	AQQX	AQAE	AQAV	
		HJ977GN	HJ977GN	HJ977GN	HJ977GN	M7N	M7N	M7N	M7N	M7N	M7N	
	125.1	28	97769896	97769912	97769900	97769908	96658834	97769916	96658835	97769904	96658832	96658833
	160.1	28	97769896	97769912	97769900	97769908	96658834	97769916	96658835	97769904	96658832	96658833
	200.1	28	97769896	97769912	97769900	97769908	96658834	97769916	96658835	97769904	96658832	96658833
32-	125	28	97769896	97769912	97769900	97769908	96658834	97769916	96658835	97769904	96658832	96658833
	160	28	97769896	97769912	97769900	97769908	96658834	97769916	96658835	97769904	96658832	96658833
	200	28	97769896	97769912	97769900	97769908	96658834	97769916	96658835	97769904	96658832	96658833
	250	28	97769896	97769912	97769900	97769908	96658834	97769916	96658835	97769904	96658832	96658833
	125	28	97769896	97769912	97769900	97769908	96658834	97769916	96658835	97769904	96658832	96658833
	160	28	97769896	97769912	97769900	97769908	96658834	97769916	96658835	97769904	96658832	96658833
40-	200	28	97769896	97769912	97769900	97769908	96658834	97769916	96658835	97769904	96658832	96658833
	250	28	97769896	97769912	97769900	97769908	96658834	97769916	96658835	97769904	96658832	96658833
	315	38	97769898	97769914	97769902	97769910	96658855	97769918	96658856	97769906	96658853	96658854
	125	28	97769896	97769912	97769900	97769908	96658834	97769916	96658835	97769904	96658832	96658833
	160	28	97769896	97769912	97769900	97769908	96658834	97769916	96658835	97769904	96658832	96658833
50-	200	28	97769896	97769912	97769900	97769908	96658834	97769916	96658835	97769904	96658832	96658833
	250	28	97769896	97769912	97769900	97769908	96658834	97769916	96658835	97769904	96658832	96658833
	315	38	97769898	97769914	97769902	97769910	96658855	97769918	96658856	97769906	96658853	96658854
	125	28	97769896	97769912	97769900	97769908	96658834	97769916	96658835	97769904	96658832	96658833
	160	28	97769896	97769912	97769900	97769908	96658834	97769916	96658835	97769904	96658832	96658833
65-	200	28	97769896	97769912	97769900	97769908	96658834	97769916	96658835	97769904	96658832	96658833
	250	38	97769898	97769914	97769902	97769910	96658855	97769918	96658856	97769906	96658853	96658854
	315	38	97769898	97769914	97769902	97769910	96658855	97769918	96658856	97769906	96658853	96658854
	160	28	97769896	97769912	97769900	97769908	96658834	97769916	96658835	97769904	96658832	96658833
	200	38	97769898	97769914	97769902	97769910	96658855	97769918	96658856	97769906	96658853	96658854
	250	38	97769898	97769914	97769902	97769910	96658855	97769918	96658856	97769906	96658853	96658854
80-	315	38	97769898	97769914	97769902	97769910	96658855	97769918	96658856	97769906	96658853	96658854
	315 ¹⁷⁴⁾	48	97685510	97685518	97685513	97685515	96658866	97685505	96658867	97685502	96658864	96658865
	400	48	97685510	97685518	97685513	97685515	96658866	97685505	96658867	97685502	96658864	96658865

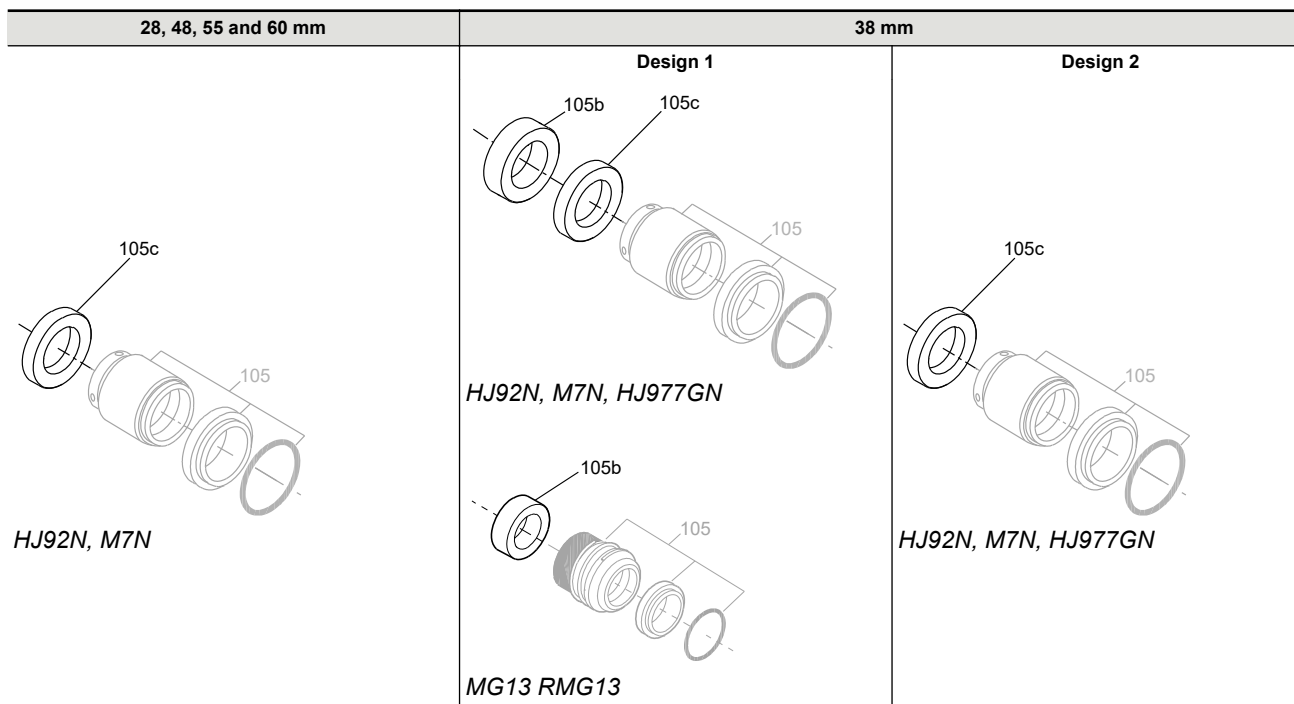
Pump type	Shaft seal dia.	DQQE	DQKQ	DQQV	DQQX	AQQE	AQKQ	AQQV	AQQX	AQAE	AQAV	
		HJ977GN	HJ977GN	HJ977GN	HJ977GN	M7N	M7N	M7N	M7N	M7N	M7N	
100-	160	28	97769896	97769912	97769900	97769908	96658834	97769916	96658835	97769904	96658832	96658833
	200	38	97769898	97769914	97769902	97769910	96658855	97769918	96658856	97769906	96658853	96658854
	250	38	97769898	97769914	97769902	97769910	96658855	97769918	96658856	97769906	96658853	96658854
	250 ¹⁷⁴⁾	48	97685510	97685518	97685513	97685515	96658866	97685505	96658867	97685502	96658864	96658865
	315	38	97769898	97769914	97769902	97769910	96658855	97769918	96658856	97769906	96658853	96658854
	315 ¹⁷⁴⁾	48	97685510	97685518	97685513	97685515	96658866	97685505	96658867	97685502	96658864	96658865
	400	48	97685510	97685518	97685513	97685515	96658866	97685505	96658867	97685502	96658864	96658865
125-	200	38	97769898	97769914	97769902	97769910	96658855	97769918	96658856	97769906	96658853	96658854
	250	38	97769898	97769914	97769902	97769910	96658855	97769918	96658856	97769906	96658853	96658854
	250 ¹⁷⁴⁾	48	97685510	97685518	97685513	97685515	96658866	97685505	96658867	97685502	96658864	96658865
	315	48	97685510	97685518	97685513	97685515	96658866	97685505	96658867	97685502	96658864	96658865
	400	48	97685510	97685518	97685513	97685515	96658866	97685505	96658867	97685502	96658864	96658865
	500	60	97685599	97685611	97685603	97685607	97536585	97685591	97536586	97685587	97769924	97769926
	200	38	97769898	97769914	97769902	97769910	96658855	97769918	96658856	97769906	96658853	96658854
150-	250	48	97685510	97685518	97685513	97685515	96658866	97685505	96658867	97685502	96658864	96658865
	315.1	48	97685510	97685518	97685513	97685515	96658866	97685505	96658867	97685502	96658864	96658865
	315.2	48	97685510	97685518	97685513	97685515	96658866	97685505	96658867	97685502	96658864	96658865
	315	48	97685510	97685518	97685513	97685515	96658866	97685505	96658867	97685502	96658864	96658865
	400	48	97685510	97685518	97685513	97685515	96658866	97685505	96658867	97685502	96658864	96658865
	400 ¹⁷⁴⁾	55	97685597	97685609	97685601	97685605	97536543	97685589	97536544	97685585	97769923	97769925
	500	60	97685599	97685611	97685603	97685607	97536585	97685591	97536586	97685587	97769924	97769926
200-	400	55	-	-	-	-	-	-	-	-	-	-
	450	55	-	-	-	-	-	-	-	-	-	-
	350	55	-	-	-	-	-	-	-	-	-	-
250-	400	55	-	-	-	-	-	-	-	-	-	-
	450	60	-	-	-	-	-	-	-	-	-	-
	500	60	-	-	-	-	-	-	-	-	-	-

¹⁷ Oversize pump.
⁴⁾

Content, see chapter Model B section Contents of this chapter.

Spacer ring for shaft seal

(pos. 105b and 105c)



Spacer ring

Pos.	Shaft seal diameter [mm]	Description	Length [mm]	Material code	
				A, B, C, D, E, F, G, H, K, M, N, P, S	I, J, L, R, T, U, W
105b	38	Spacer ring	15.5	96591277	96938601
	28		7.5	96938597	96938598
	38		10	96938599	96938600
105c	48		15	96938602	96938603
	55		22.5	96938604	96938605
	60		17.5	96938606	96938607
105b and 1050c	38	15.5	96930797	96930799	
		10			

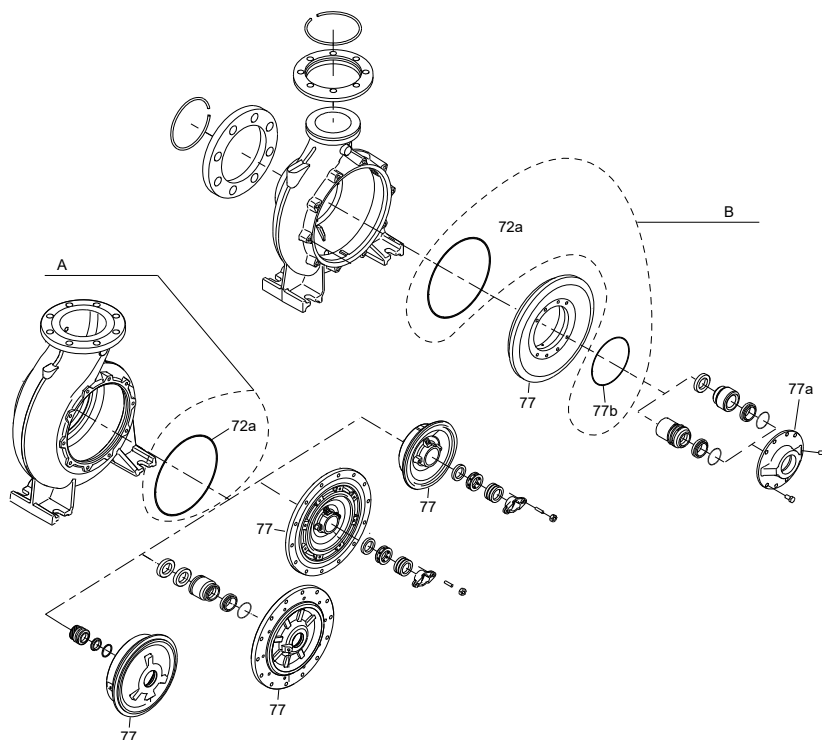
38 mm spacer ring			
Pump type	Shaft seal dia.	Design	
	125.1	28	-
	160.1	28	-
	200.1	28	-
32-	125	28	-
	160	28	-
	200	28	-
	250	28	-
	125	28	-
	160	28	-
40-	200	28	-
	250	28	-
	315	38	2
	125	28	-
	160	28	-
50-	200	28	-
	250	28	-
	315	38	2
	125	28	-
	160	28	-
65-	200	28	-
	250	38	1
	315	38	1
	160	28	-
	200	38	1
80-	250	38	1
	315	38/48	1
	400	48	-
	160	28	-
	200	38	1
100-	250	38/48	1
	315	38/48	1
	400	48	-
	200	38	-
	250	38/48	1
125-	315	48	-
	400	48	-
	500	60	-
	200	38	1
	250	48	-
	315.1	48	-
150-	315.2	48	-
	315	48	-
	400	48/55	-
	500	60	-
200-	400	55	-
	450	55	-
	350	55	-
250-	400	55	-
	450	60	-
	500	60	-

O-ring

Shaft seal arrangement, single seal "S" and stuffing box "B"

NK 32-125.1 A1 F 2 N V(S)BAQV

NK 32-125.1 A1 F 2 N V(B)SNEA



TM046803

Pos.	Description	Explanation
A	Example 1	
B	Example 2	
72a	Kit 1	1 x O-ring
77b	Kit 2	1 x O-ring

Code	Material
E	EPDM
M	FEPS
K	FFKM
V	FKM
F	FXM
X	HNBR

The O-ring materials can be found in the type designation on the nameplate.

Example 1 - pump with cover, pos. 77 only

NK 32-125.1 A1 F 2 N(V)S BAQV

Code V describes a pump with O-ring kit 1 containing an FKM O-ring (V).

Example 2 - pump with cover, pos. 77 and 77a

NK 32-125.1 A1 F 2 N(V)S BAQV

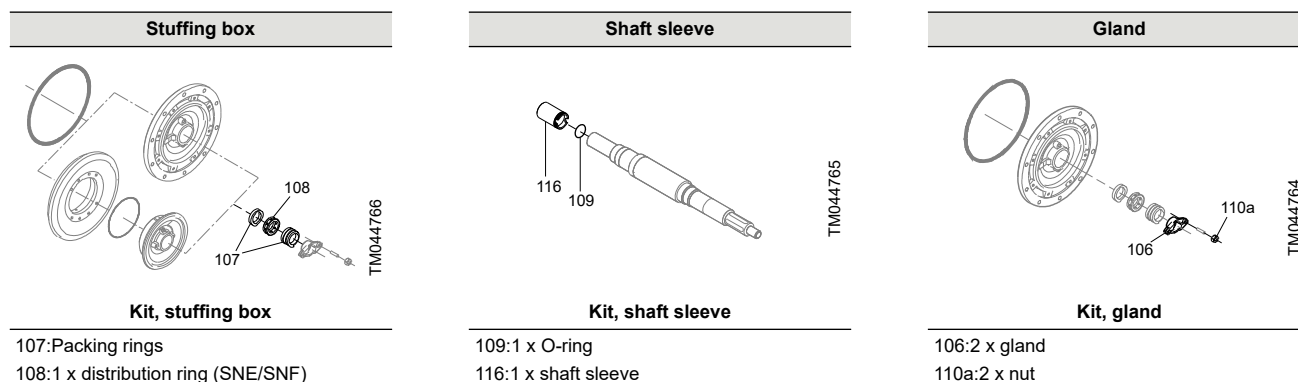
Code V describes a pump with cover 77 and 77a with O-ring kit 1 + 2 containing FKM O-rings (V).

Pump type	Shaft seal diameter [mm]	O-ring kit 1 (pos. 72a)						O-ring kit 2 (pos. 77b)		
		E (EPDM)	M (FEPS)	K (FFKM)	V (FKM)	F (FXM)	X (HNBR)	E (EPDM)	V (FKM)	
32-	125.1	28	97757659	97904673	97904674	97757697	97790022	97904675	97761203	97761204
	160.1	28	97757659	97904673	97904674	97757697	97790022	97904675	97761203	97761204
	200.1	28	97757671	97904679	97904691	97757698	97790080	97904692	97761203	97761204
	125	28	97757659	97904673	97904674	97757697	97790022	97904675	97761203	97761204
	160	28	97757659	97904673	97904674	97757697	97790022	97904675	97761203	97761204
	200	28	97757671	97904679	97904691	97757698	97790080	97904692	97761203	97761204
	250	28	97757672	97904676	97904677	97757699	97790081	97904678	97761203	97761204
40-	125	28	97757659	97904673	97904674	97757697	97790022	97904675	97761203	97761204
	160	28	97757659	97904673	97904674	97757697	97790022	97904675	97761203	97761204
	200	28	97757671	97904679	97904691	97757698	97790080	97904692	97761203	97761204
	250	28	97757672	97904676	97904677	97757699	97790081	97904678	97761203	97761204
	315	38	97757675	96887770	96887761	97757705	96887764	96887767	97761203	97761204
50-	125	28	97757659	97904673	97904674	97757697	97790022	97904675	97761203	97761204
	160	28	97757659	97904673	97904674	97757697	97790022	97904675	97761203	97761204
	200	28	97757671	97904679	97904691	97757698	97790080	97904692	97761203	97761204
	250	28	97757672	97904676	97904677	97757699	97790081	97904678	97761203	97761204
	315	38	97757675	96887770	96887761	97757705	96887764	96887767	97761203	97761204
65-	125	28	97757659	97904673	97904674	97757697	97790022	97904675	97761203	97761204
	160	28	97757659	97904673	97904674	97757697	97790022	97904675	97761203	97761204
	200	28	97757671	97904679	97904691	97757698	97790080	97904692	97761203	97761204
	250	38	97757673	96887769	96887760	97757703	96887763	96887766	97761203	97761204
	315	38	97757675	96887770	96887761	97757705	96887764	96887767	97761203	97761204
80-	160	28	97757659	97904673	97904674	97757697	97790022	97904675	97761203	97761204
	200	38	97757671	97904679	97904691	97757698	97790080	97904692	97761203	97761204
	250	38	97757673	96887769	96887760	97757703	96887763	96887766	97761203	97761204
	315	38	97757675	96887770	96887761	97757705	96887764	96887767	97761203	97761204
	315 ¹⁷⁵⁾	48	97757675	96887770	96887761	97757705	96887764	96887767	97757693	97757714
	400	48	97757676	96887771	96887762	97757707	96887765	96887768	97757693	97757714
100-	160	28	97757659	97904673	97904674	97757697	97790022	97904675	97761203	97761204
	200	38	97757671	97904679	97904691	97757698	97790080	97904692	97761203	97761204
	250	38	97757673	96887769	96887760	97757703	96887763	96887766	97761203	97761204
	250 ¹⁷⁵⁾	48	97757673	96887769	96887760	97757703	96887763	96887766	97757693	97757714
	315	38	97757675	96887770	96887761	97757705	96887764	96887767	97761203	97761204
	315 ¹⁷⁵⁾	48	97757675	96887770	96887761	97757705	96887764	96887767	97757693	97757714
	400	48	97757676	96887771	96887762	97757707	96887765	96887768	97757693	97757714
125-	200	38	97757671	97904679	97904691	97757698	97790080	97904692	97761203	97761204
	250	38	97757673	96887769	96887760	97757703	96887763	96887766	97761203	97761204
	250 ¹⁷⁵⁾	48	97757673	96887769	96887760	97757703	96887763	96887766	97757693	97757714
	315	48	97757675	96887770	96887761	97757705	96887764	96887767	97757693	97757714
	400	48	97757676	96887771	96887762	97757707	96887765	96887768	97757693	97757714
150-	500	60	97757679	97536641	97536606	97757712	97536608	97536609	97757693	97757714
	200	38	97757671	97904679	97904691	97757698	97790080	97904692	97761203	97761204
	250	48	97757673	96887769	96887760	97757703	96887763	96887766	97757693	97757714
	315.1	48	97757675	96887770	96887761	97757705	96887764	96887767	97757693	97757714
	315.2	48	97757675	96887770	96887761	97757705	96887764	96887767	97757693	97757714
	315	48	97757675	96887770	96887761	97757705	96887764	96887767	97757693	97757714
	400	48	97757676	96887771	96887762	97757707	96887765	96887768	97757693	97757714
	400 ¹⁷⁵⁾	55	97757676	96887771	96887762	97757707	96887765	96887768	97757693	97757714
200-	500	60	97757679	97536641	97536606	97757712	97536608	97536609	97757693	97757714
	400	55	97757676	-	-	97757707	96887765	-	97757693	97757714
	450	55	97757677	-	-	97757708	97790102	-	97757693	97757714

Pump type	Shaft seal diameter [mm]	O-ring kit 1 (pos. 72a)						O-ring kit 2 (pos. 77b)		
		E (EPDM)	M (FEPS)	K (FFKM)	V (FKM)	F (FXM)	X (HNBR)	E (EPDM)	V (FKM)	
	350	55	97757676	-	-	97757707	96887765	-	97757693	97757714
	400	55	97757676	-	-	97757707	96887765	-	97757693	97757714
250-	450	60	97757677	-	-	97757708	97790102	-	97757693	97757714
	500	60	97757679	-	-	97757712	97536608	-	97757693	97757714

¹⁷ Oversize pump.
5)

Stuffing box, shaft sleeve and gland



Kit, stuffing box
 107:Packing rings
 108:1 x distribution ring (SNE/SNF)

Kit, shaft sleeve
 109:1 x O-ring
 116:1 x shaft sleeve

Kit, gland
 106:2 x gland
 110a:2 x nut

Pump type	Material code	Pump shaft diameter d5	A, B, C, D, E, F, G, H, S, T						
			Stuffing box for cast iron pump				Shaft sleeve		Gland
			SNEA, SNEC, SNFA, SNFC	SNEB, SNED, SNFB, SNFD	SNOA, SNOC	SNOB, SNOD	E (EPDM)	V (FKM)	
125.1	24	96877095	96877097	96877099	96877101	96861484	98796245	96861467	
160.1	24	96877095	96877097	96877099	96877101	96861484	98796245	96861467	
200.1	24	96877095	96877097	96877099	96877101	96861484	98796245	96861467	
32 - 125	24	96877095	96877097	96877099	96877101	96861484	98796245	96861467	
32 - 160	24	96877095	96877097	96877099	96877101	96861484	98796245	96861467	
32 - 200	24	96877095	96877097	96877099	96877101	96861484	98796245	96861467	
32 - 250	24	96877095	96877097	96877099	96877101	96861484	98796245	96861467	
40 - 125	24	96877095	96877097	96877099	96877101	96861484	98796245	96861467	
40 - 160	24	96877095	96877097	96877099	96877101	96861484	98796245	96861467	
40 - 200	24	96877095	96877097	96877099	96877101	96861484	98796245	96861467	
40 - 250	24	96877095	96877097	96877099	96877101	96861484	98796245	96861467	
40 - 315	32	96877123	96877125	96877127	96877129	96861485	98796246	96861469	
50 - 125	24	96877095	96877097	96877099	96877101	96861484	98796245	96861467	
50 - 160	24	96877095	96877097	96877099	96877101	96861484	98796245	96861467	
50 - 200	24	96877095	96877097	96877099	96877101	96861484	98796245	96861467	
50 - 250	24	96877095	96877097	96877099	96877101	96861484	98796245	96861467	
50 - 315	32	96877123	96877125	96877127	96877129	96861485	98796246	96861469	
65 - 125	24	96877095	96877097	96877099	96877101	96861484	98796245	96861467	
65 - 160	24	96877095	96877097	96877099	96877101	96861484	98796245	96861467	
65 - 200	24	96877095	96877097	96877099	96877101	96861484	98796245	96861467	
65 - 250	32	96877123	96877125	96877127	96877129	96861485	98796246	96861469	
65 - 315	32	96877123	96877125	96877127	96877129	96861485	98796246	96861469	
80 - 160	24	96877095	96877097	96877099	96877101	96861484	98796245	96861467	
80 - 200	32	96877123	96877125	96877127	96877129	96861485	98796246	96861469	
80 - 250	32	96877123	96877125	96877127	96877129	96861485	98796246	96861469	
80 - 315	32	96877123	96877125	96877127	96877129	96861485	98796246	96861469	
80 - 400	42	98796172	98796173	98796176	98796177	98796233	98796160	98796251	
100 - 160	24	96877095	96877097	96877099	96877101	96861484	98796245	96861467	
100 - 200	32	96877123	96877125	96877127	96877129	96861485	98796246	96861469	
100 - 250	32	96877123	96877125	96877127	96877129	96861485	98796246	96861469	
100 - 315	32	96877123	96877125	96877127	96877129	96861485	98796246	96861469	
100 - 400	42	98796172	98796173	98796176	98796177	98796233	98796160	98796251	
125 - 200	32	96877123	96877125	96877127	96877129	96861485	98796246	96861469	
125 - 250	32	96877123	96877125	96877127	96877129	96861485	98796246	96861469	
125 - 315	42	98796172	98796173	98796176	98796177	98796233	98796160	98796251	
125 - 400	42	98796172	98796173	98796176	98796177	98796233	98796160	98796251	
125 - 500	60	98796188	98796189	98796192	98796193	98796239	98796226	98796255	

Pump type	Material code		A, B, C, D, E, F, G, H, S, T						
	Pump shaft diameter d5		Stuffing box for cast iron pump				Shaft sleeve		Gland
			SNEA, SNEC, SNFA, SNFC	SNEB, SNED, SNFB, SNFD	SNOA, SNOC	SNOB, SNOD	E (EPDM)	V (FKM)	
150 -	200	32	96877123	96877125	96877127	96877129	96861485	98796246	96861469
	250	42	98796172	98796173	98796176	98796177	98796233	98796160	98796251
	315.1	42	98796172	98796173	98796176	98796177	98796233	98796160	98796251
	315.2	42	98796172	98796173	98796176	98796177	98796233	98796160	98796251
	315	42	98796172	98796173	98796176	98796177	98796233	98796160	98796251
	400	42	98796172	98796173	98796176	98796177	98796233	98796160	98796251
	500	60	98796188	98796189	98796192	98796193	98796239	98796226	98796255
200 -	400	48	98796180	98796181	98796184	98796185	98796236	98796223	98796253
	450	48	98796180	98796181	98796184	98796185	98796236	98796223	98796253
	350	48	98796180	98796181	98796184	98796185	98796236	98796223	98796253
250 -	400	48	98796180	98796181	98796184	98796185	98796236	98796223	98796253
	450	60	98796188	98796189	98796192	98796193	98796239	98796226	98796255
	500	60	98796188	98796189	98796192	98796193	98796239	98796226	98796255

Pump type	Material code		I, J, K, M, N, P, U, W						
	Pump shaft diameter d5		Stuffing box for 1.4408 pump				Shaft sleeve		Gland
			SNEA, SNEC, SNFA, SNFC	SNEB, SNED, SNFB, SNFD	SNOA, SNOC	SNOB, SNOD	E (EPDM)	V (FKM)	
32 -	125.1	24	98796196	98796197	96877099	96877101	98796242	98796229	98796247
	160.1	24	98796196	98796197	96877099	96877101	98796242	98796229	98796247
	200.1	24	98796196	98796197	96877099	96877101	98796242	98796229	98796247
	125	24	98796196	98796197	96877099	96877101	98796242	98796229	98796247
	160	24	98796196	98796197	96877099	96877101	98796242	98796229	98796247
	200	24	98796196	98796197	96877099	96877101	98796242	98796229	98796247
	250	24	98796196	98796197	96877099	96877101	98796242	98796229	98796247
40 -	125	24	98796196	98796197	96877099	96877101	98796242	98796229	98796247
	160	24	98796196	98796197	96877099	96877101	98796242	98796229	98796247
	200	24	98796196	98796197	96877099	96877101	98796242	98796229	98796247
	250	24	98796196	98796197	96877099	96877101	98796242	98796229	98796247
	315	32	98796200	98796201	96877127	96877129	98796244	98796231	98796249
50 -	125	24	98796196	98796197	96877099	96877101	98796242	98796229	98796247
	160	24	98796196	98796197	96877099	96877101	98796242	98796229	98796247
	200	24	98796196	98796197	96877099	96877101	98796242	98796229	98796247
	250	24	98796196	98796197	96877099	96877101	98796242	98796229	98796247
	315	32	98796200	98796201	96877127	96877129	98796244	98796231	98796249
65 -	125	24	98796196	98796197	96877099	96877101	98796242	98796229	98796247
	160	24	98796196	98796197	96877099	96877101	98796242	98796229	98796247
	200	24	98796196	98796197	96877099	96877101	98796242	98796229	98796247
	250	32	98796200	98796201	96877127	96877129	98796244	98796231	98796249
	315	32	98796200	98796201	96877127	96877129	98796244	98796231	98796249
80 -	160	24	98796196	98796197	96877099	96877101	98796242	98796229	98796247
	200	32	98796200	98796201	96877127	96877129	98796244	98796231	98796249
	250	32	98796200	98796201	96877127	96877129	98796244	98796231	98796249
	315	32	98796200	98796201	96877127	96877129	98796244	98796231	98796249
	400	42	98796204	98796205	98796176	98796177	98796234	98796221	98796251
100 -	160	24	98796196	98796197	96877099	96877101	98796242	98796229	98796247
	200	32	98796200	98796201	96877127	96877129	98796244	98796231	98796249
	250	32	98796200	98796201	96877127	96877129	98796244	98796231	98796249
	315	32	98796200	98796201	96877127	96877129	98796244	98796231	98796249
	400	42	98796204	98796205	98796176	98796177	98796234	98796221	98796251

Pump type	Material code		I, J, K, M, N, P, U, W						
	Pump shaft diameter d5		Stuffing box for 1.4408 pump				Shaft sleeve		Gland
			SNEA, SNEC, SNFA, SNFC	SNEB, SNED, SNFB, SNFD	SNOA, SNOC	SNOB, SNOD	E (EPDM)	V (FKM)	
200	32		98796200	98796201	96877127	96877129	98796244	98796231	98796249
250	32		98796200	98796201	96877127	96877129	98796244	98796231	98796249
125 -	315	42	98796204	98796205	98796176	98796177	98796234	98796221	98796251
	400	42	98796204	98796205	98796176	98796177	98796234	98796221	98796251
	500	60	98796212	98796213	98796192	98796193	98796240	98796227	98796255
	200	32	98796200	98796201	96877127	96877129	98796244	98796231	98796249
	250	42	98796204	98796205	98796176	98796177	98796234	98796221	98796251
	315.1	42	98796204	98796205	98796176	98796177	98796234	98796221	98796251
150 -	315.2	42	98796204	98796205	98796176	98796177	98796234	98796221	98796251
	315	42	98796204	98796205	98796176	98796177	98796234	98796221	98796251
	400	42	98796204	98796205	98796176	98796177	98796234	98796221	98796251
	500	60	98796212	98796213	98796192	98796193	98796240	98796227	98796255
200 -	400	48	98796208	98796209	98796184	98796185	98796237	98796224	98796253
	450	48	98796208	98796209	98796184	98796185	98796237	98796224	98796253
	350	48	98796208	98796209	98796184	98796185	98796237	98796224	98796253
250 -	400	48	98796208	98796209	98796184	98796185	98796237	98796224	98796253
	450	60	98796212	98796213	98796192	98796193	98796240	98796227	98796255
	500	60	98796212	98796213	98796192	98796193	98796240	98796227	98796255

Pump type	Material code		L, R						
	Pump shaft diameter d5		Stuffing box for 1.4517 pump				Shaft sleeve		Gland
			SNEA, SNEC, SNFA, SNFC	SNEB, SNED, SNFB, SNFD	SNOA, SNOC	SNOB, SNOD	E (EPDM)	V (FKM)	
125.1	24		98796196	98796197	96877099	96877101	98796243	98796230	98796248
160.1	24		98796196	98796197	96877099	96877101	98796243	98796230	98796248
200.1	24		98796196	98796197	96877099	96877101	98796243	98796230	98796248
32 -	125	24	98796196	98796197	96877099	96877101	98796243	98796230	98796248
	160	24	98796196	98796197	96877099	96877101	98796243	98796230	98796248
	200	24	98796196	98796197	96877099	96877101	98796243	98796230	98796248
	250	24	98796196	98796197	96877099	96877101	98796243	98796230	98796248
	125	24	98796196	98796197	96877099	96877101	98796243	98796230	98796248
	160	24	98796196	98796197	96877099	96877101	98796243	98796230	98796248
40 -	200	24	98796196	98796197	96877099	96877101	98796243	98796230	98796248
	250	24	98796196	98796197	96877099	96877101	98796243	98796230	98796248
	315	32	98796200	98796201	96877127	96877129	98796232	98796159	98796250
	125	24	98796196	98796197	96877099	96877101	98796243	98796230	98796248
	160	24	98796196	98796197	96877099	96877101	98796243	98796230	98796248
50 -	200	24	98796196	98796197	96877099	96877101	98796243	98796230	98796248
	250	24	98796196	98796197	96877099	96877101	98796243	98796230	98796248
	315	32	98796200	98796201	96877127	96877129	98796232	98796159	98796250
	125	24	98796196	98796197	96877099	96877101	98796243	98796230	98796248
	160	24	98796196	98796197	96877099	96877101	98796243	98796230	98796248
65 -	200	24	98796196	98796197	96877099	96877101	98796243	98796230	98796248
	250	32	98796200	98796201	96877127	96877129	98796232	98796159	98796250
	315	32	98796200	98796201	96877127	96877129	98796232	98796159	98796250
	160	24	98796196	98796197	96877099	96877101	98796243	98796230	98796248
	200	32	98796200	98796201	96877127	96877129	98796232	98796159	98796250
80 -	250	32	98796200	98796201	96877127	96877129	98796232	98796159	98796250
	315	32	98796200	98796201	96877127	96877129	98796232	98796159	98796250
	400	42	98796204	98796205	98796176	98796177	98796235	98796222	98796252

Pump type	Material code	L, R							
		Pump shaft diameter d5	Stuffing box for 1.4517 pump				Shaft sleeve		Gland
			SNEA, SNEC, SNFA, SNFC	SNEB, SNED, SNFB, SNFD	SNOA, SNOC	SNOB, SNOD	E (EPDM)	V (FKM)	
160	24	98796196	98796197	96877099	96877101	98796243	98796230	98796248	
200	32	98796200	98796201	96877127	96877129	98796232	98796159	98796250	
100 -	250	98796200	98796201	96877127	96877129	98796232	98796159	98796250	
	315	98796200	98796201	96877127	96877129	98796232	98796159	98796250	
	400	98796204	98796205	98796176	98796177	98796235	98796222	98796252	
	200	98796200	98796201	96877127	96877129	98796232	98796159	98796250	
	250	98796200	98796201	96877127	96877129	98796232	98796159	98796250	
125 -	315	98796204	98796205	98796176	98796177	98796235	98796222	98796252	
	400	98796204	98796205	98796176	98796177	98796235	98796222	98796252	
	500	98796212	98796213	98796192	98796193	98796241	98796228	98796256	
	200	98796200	98796201	96877127	96877129	98796232	98796159	98796250	
	250	98796204	98796205	98796176	98796177	98796235	98796222	98796252	
	315.1	98796204	98796205	98796176	98796177	98796235	98796222	98796252	
150 -	315.2	98796204	98796205	98796176	98796177	98796235	98796222	98796252	
	315	98796204	98796205	98796176	98796177	98796235	98796222	98796252	
	400	98796204	98796205	98796176	98796177	98796235	98796222	98796252	
	500	98796212	98796213	98796192	98796193	98796241	98796228	98796256	
	400	98796208	98796209	98796184	98796185	98796238	98796225	98796254	
200 -	450	98796208	98796209	98796184	98796185	98796238	98796225	98796254	
	350	98796208	98796209	98796184	98796185	98796238	98796225	98796254	
	400	98796208	98796209	98796184	98796185	98796238	98796225	98796254	
250 -	450	98796212	98796213	98796192	98796193	98796241	98796228	98796256	
	500	98796212	98796213	98796192	98796193	98796241	98796228	98796256	

Stuffing box, shaft guard and pipe

Shaft guard

TM070337

Kit, shaft guard

124c: 1 x shaft guard, left
 124d: 4 x pan head screw
 124e: 1 x shaft guard, right

Pipe SNE

TM070338

Kit, pipe SNE

17a: 2 x male connector, R1/8" - 8 mm
 17b: 1 x union elbow, 8 mm - 8 mm
 17c: 2 x pipe

Pipe SNF

TM070339

Kit, pipe SNF

17a: 1 x male connector, R1/8" - 8 mm
 17c: 1 x pipe
 17d: 1 x compression fitting, cap, 8 mm

Pump type	Pump shaft diameter d5	Single shaft seal	Kit, shaft guard						Kit, pipe	
			Stuffing box shaft seal						Cast iron, stainless steel (1.4408) pump housing	
			Cast iron pump housing			Stainless steel (1.4408, 1.4517) pump housing				
			SNO	SNE	SNF	SNO	SNE	SNF	SNE	SNF
125.1	24	96809954	96809955	96809955	99089314	96809955	99089314	99089314		
125	24	96809954	96809955	96809955	99089314	96809955	99089314	99089314		
160.1	24	96809954	96809955	96809955	99089314	96809955	99089314	99089314		
32-160	24	96809954	96809955	96809955	99089314	96809955	99089314	99089314		
200.1	24	96809954	96809955	96809955	99089314	96809955	99089314	99089314		
200	24	96809954	96809955	96809955	99089314	96809955	99089314	99089314		
250	24	96809954	96809955	96809955	99089314	96809955	99089314	99089314		
125	24	96809954	96809955	96809955	99089314	96809955	99089314	99089314		
160	24	96809954	96809955	96809955	99089314	96809955	99089314	99089314		
40-200	24	96809954	96809955	96809955	99089314	96809955	99089314	99089314		
250	24	96809954	96809955	96809955	99089314	96809955	99089314	99089314		
315	32	96809957	96809958	96809958	99089318	96809958	99089318	99089318		
125	24	96809954	96809955	96809955	99089314	96809955	99089314	99089314		
160	24	96809954	96809955	96809955	99089314	96809955	99089314	99089314		
50-200	24	96809954	96809955	96809955	99089314	96809955	99089314	99089314		
250	24	96809954	96809955	96809955	99089314	96809955	99089314	99089314		
315	32	96809957	96809958	96809958	99089318	96809958	99089318	99089318		
125	24	96809954	96809955	96809955	99089314	96809955	99089314	99089314	99001051	99001056
160	24	96809954	96809955	96809955	99089314	96809955	99089314	99089314		
65-200	24	96809954	96809955	96809955	99089314	96809955	99089314	99089314		
250	32	96809957	96809958	96809958	99089318	96809958	99089318	99089318		
315	32	96809957	96809958	96809958	99089318	96809958	99089318	99089318		
160	24	96809954	96809955	96809955	99089314	96809955	99089314	99089314		
200	32	96809957	96809958	96809958	99089318	96809958	99089318	99089318		
250	32	96809957	96809958	96809958	99089318	96809958	99089318	99089318		
80-315	32	96809957	96809958	96809958	99089318	96809958	99089318	99089318		
315 ¹⁷⁶⁾	42	96809961	96809961	96809961	99089323	96809961	99089323	99089323		
400	42	96809961	96809961	96809961	99089323	96809961	99089323	99089323		
160	24	96809954	96809955	96809955	99089314	96809955	99089314	99089314		
200	32	96809957	96809958	96809958	99089318	96809958	99089318	99089318		
250	32	96809957	96809958	96809958	99089318	96809958	99089318	99089318		
100-315	32	96809957	96809958	96809958	99089318	96809958	99089318	99089318		
315 ¹⁷⁶⁾	42	96809961	96809961	96809961	99089323	96809961	99089323	99089323		
400	42	96809961	96809961	96809961	99089323	96809961	99089323	99089323		

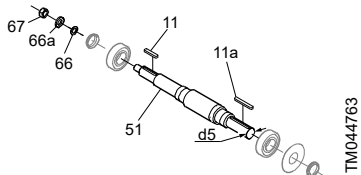
Pump type	Pump shaft diameter d5	Kit, shaft guard							Kit, pipe	
		Single shaft seal	Stuffing box shaft seal						Cast iron, stainless steel (1.4408) pump housing	
			Cast iron pump housing			Stainless steel (1.4408, 1.4517) pump housing				
			SNO	SNE	SNF	SNO	SNE	SNF	SNE	SNF
200	32	96809957	96809958	96809958	99089318	96809958	99089318	99089318		
250	32	96809957	96809958	96809958	99089318	96809958	99089318	99089318		
125-250 ¹⁷⁶⁾	42	96809961	96809961	96809961	99089323	96809961	99089323	99089323		
315	42	96809961	96809961	96809961	99089323	96809961	99089323	99089323		
400	42	96809961	96809961	96809961	99089323	96809961	99089323	99089323		
500	60	96809962	96809962	99089326	99089326	96809962	99089326	99089326		
200	32	96809957	96809958	96809958	99089318	96809958	99089318	99089318		
250	42	96809961	96809961	96809961	99089323	96809961	99089323	99089323		
315.1	42	96809961	96809961	96809961	99089323	96809961	99089323	99089323		
150-315.2	42	96809961	96809961	96809961	99089323	96809961	99089323	99089323		
315	42	96809961	96809961	96809961	99089323	96809961	99089323	99089323		
400	42	96809961	96809961	96809961	99089323	96809961	99089323	99089323		
400 ¹⁷⁶⁾	48	96809962	96809962	99089326	99089326	96809962	99089326	99089326		
500	60	96809962	96809962	99089326	99089326	96809962	99089326	99089326		
200-400	48	96809962	96809962	99089325	99089325	96809962	99089325	99089325		
450	48	96809962	96809962	99089325	99089325	96809962	99089325	99089325		
350	48	96809962	96809962	99089325	99089325	96809962	99089325	99089325		
250-400	48	96809962	96809962	99089325	99089325	96809962	99089325	99089325		
450	60	96809962	96809962	99089325	99089325	96809962	99089325	99089325		
500	60	96809962	96809962	99089325	99089325	96809962	99089325	99089325		

¹⁷ Oversize pump.

⁶⁾

Shaft, bearings, spacer ring and V-ring

Shaft, standard

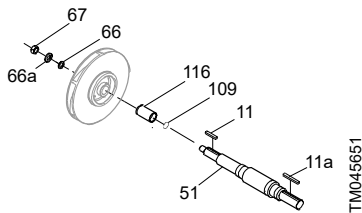


TM044763

Content of shaft kit (mechanical shaft seal)

- 11:1 x key
- 11a:1 x key
- 51:1 x shaft
- 66:1 x washer
- 66a:1 x lock washer
- 67:1 x nut

Shaft, stuffing box

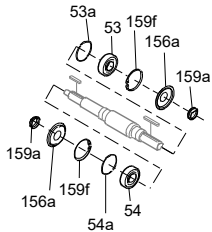


TM045651

Content of shaft kit (stuffing box)

- 11:1 x key
- 11a:1 x key
- 51:1 x shaft
- 66:1 x washer
- 66a:1 x lock washer
- 67:1 x nut
- 109:1 x O-ring
- 116:1 x shaft sleeve

Bearings

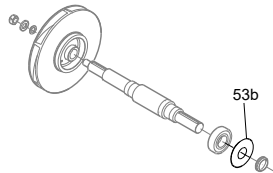


TM044783

Content of bearing kit

- 53/54:2 x bearing
- 53a/54a:2 x O-ring
- 156a:2 x bearing cover
- 159f:2 x retaining ring
- 159a:2 x V-ring

Spacer ring

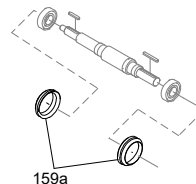


TM044784

Content of spacer ring kit

- 53b:1 x spacer ring

V-ring



TM044785

Content of V-ring kit

- 159a:2 x V-ring

The material code can be found in the type designation on the nameplate.

NK 32 125 .1 A1 F 1(A) E S BAQE

Pump type	Pump shaft dia. d5	Shaft for mechanical shaft seal		Shaft for stuffing box code B						
		Material code A, B, C, D, E, F, G, H, K, M, N, P, S	I, J, L, R, T, U, W	A, B, E, F		C, D, G, H, K, M, N, P, S		I, J, L, R, T, U, W		
				Rubber						
				V	E	V	E	V	E	
125.1	24	96039654	96861516	98812951	96579594	98812952	98812959	98835255	98835257	
160.1	24	96039654	96861516	98812951	96579594	98812952	98812959	98835255	98835257	
200.1	24	96039654	96861516	98812951	96579594	98812952	98812959	98835255	98835257	
32-	125	24	96039654	96861516	98812951	96579594	98812952	98812959	98835255	98835257
	160	24	96039654	96861516	98812951	96579594	98812952	98812959	98835255	98835257
	200	24	96039654	96861516	98812951	96579594	98812952	98812959	98835255	98835257
	250	24	96039654	96861516	98812951	96579594	98812952	98812959	98835255	98835257
	315	32	96039655	96861519	98812955	96579593	98812956	98812961	98835256	98835258
40-	125	24	96039654	96861516	98812951	96579594	98812952	98812959	98835255	98835257
	160	24	96039654	96861516	98812951	96579594	98812952	98812959	98835255	98835257
	200	24	96039654	96861516	98812951	96579594	98812952	98812959	98835255	98835257
	250	24	96039654	96861516	98812951	96579594	98812952	98812959	98835255	98835257
	315	32	96039655	96861519	98812955	96579593	98812956	98812961	98835256	98835258
50-	125	24	96039654	96861516	98812951	96579594	98812952	98812959	98835255	98835257
	160	24	96039654	96861516	98812951	96579594	98812952	98812959	98835255	98835257
	200	24	96039654	96861516	98812951	96579594	98812952	98812959	98835255	98835257
	250	24	96039654	96861516	98812951	96579594	98812952	98812959	98835255	98835257
	315	32	96039655	96861519	98812955	96579593	98812956	98812961	98835256	98835258
65-	125	24	96039654	96861516	98812951	96579594	98812952	98812959	98835255	98835257
	160	24	96039654	96861516	98812951	96579594	98812952	98812959	98835255	98835257
	200	24	96039654	96861516	98812951	96579594	98812952	98812959	98835255	98835257
	250	32	96039655	96861519	98812955	96579593	98812956	98812961	98835256	98835258
	315	32	96039655	96861519	98812955	96579593	98812956	98812961	98835256	98835258
80-	160	24	96039654	96861516	98812951	96579594	98812952	98812959	98835255	98835257
	200	32	96039655	96861519	98812955	96579593	98812956	98812961	98835256	98835258
	250	32	96039655	96861519	98812955	96579593	98812956	98812961	98835256	98835258
	315	32	96039655	96861519	98812955	96579593	98812956	98812961	98835256	98835258
	315 ¹⁷⁷⁾	42	96861524	96861525	98795676	98795700	98795677	98795701	98795678	98795702
100-	400	42	96861522	96861523	98795676	98795700	98795677	98795701	98795678	98795702
	160	24	96039654	96861516	98812951	96579594	98812952	98812959	98835255	98835257
	200	32	96039655	96861519	98812955	96579593	98812956	98812961	98835256	98835258
	250	32	96039655	96861519	98812955	96579593	98812956	98812961	98835256	98835258
	250 ¹⁷⁷⁾	42	96861524	96861525	98795676	98795700	98795677	98795701	98795678	98795702
125-	315*	42	96861524	96861525	98795676	98795700	98795677	98795701	98795678	98795702
	400	42	96861522	96861523	98795676	98795700	98795677	98795701	98795678	98795702
	200	32	96039655	96861519	98812955	96579593	98812956	98812961	98835256	98835258
	250	32	96039655	96861519	98812955	96579593	98812956	98812961	98835256	98835258
	250 ¹⁷⁷⁾	42	96861524	96861525	98795676	98795700	98795677	98795701	98795678	98795702
125-	315	42	96861522	96861523	98795676	98795700	98795677	98795701	98795678	98795702
	400	42	96861522	96861523	98795676	98795700	98795677	98795701	98795678	98795702
	500	60	96861528	96861529	98795685	98795709	98795686	98795710	98795687	98795711

Pump type	Pump shaft dia. d5	Shaft for mechanical shaft seal		Shaft for stuffing box code B					
		Material code A, B, C, D, E, F, G, H, K, M, N, P, S	I, J, L, R, T, U, W	A, B, E, F		C, D, G, H, K, M, N, P, S		I, J, L, R, T, U, W	
				Rubber					
		1.4401 + 1.0569 - 1.4408	1.4462	V	E	V	E	V	E
200	32	96039655	96861519	98812955	96579593	98812956	98812961	98835256	98835258
250	42	96861522	96861523	98795676	98795700	98795677	98795701	98795678	98795702
315.1	42	96861522	96861523	98795676	98795700	98795677	98795701	98795678	98795702
315.2	42	96861522	96861523	98795676	98795700	98795677	98795701	98795678	98795702
150-315	42	96861522	96861523	98795676	98795700	98795677	98795701	98795678	98795702
400	42	96861522	96861523	98795676	98795700	98795677	98795701	98795678	98795702
400 ¹⁷⁷⁾	48	96861526	96861527	98795682	98795706	98795683	98795707	98795684	98795708
500	60	96861528	96861529	98795685	98795709	98795686	98795710	98795687	98795711
200-400	48	96861526	96861527	98795682	98795706	98795683	98795707	98795684	98795708
450	48	96861526	96861527	98795682	98795706	98795683	98795707	98795684	98795708
350	48	96861526	96861527	98795682	98795706	98795683	98795707	98795684	98795708
250-400	48	96861526	96861527	98795682	98795706	98795683	98795707	98795684	98795708
450	60	96861528	96861529	98795685	98795709	98795686	98795710	98795687	98795711
500	60	96861528	96861529	98795685	98795709	98795686	98795710	98795687	98795711

¹⁷ Oversize pump.
7)

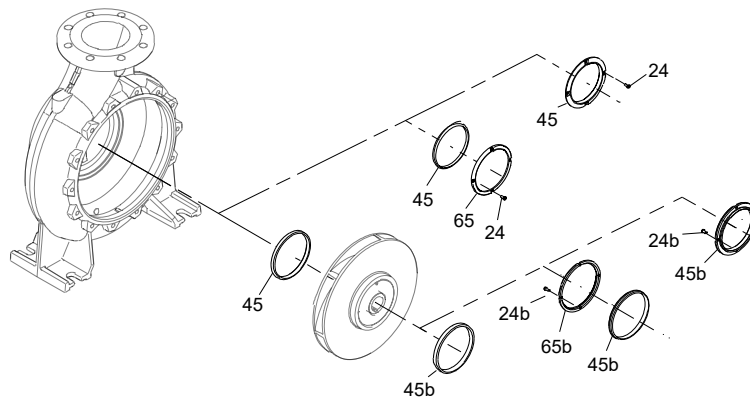
Pump type	Pump shaft diameter d5	Bearings		Spacer ring	V-ring	
		Standard	PWIS-free		Standard	PWIS-free
125.1	24	96579598	98670820	96938908	96871237	98670823
160.1	24	96579598	98670820	96938908	96871237	98670823
200.1	24	96579598	98670820	96938908	96871237	98670823
32-125	24	96579598	98670820	96938908	96871237	98670823
160	24	96579598	98670820	96938908	96871237	98670823
200	24	96579598	98670820	96938908	96871237	98670823
250	24	96579598	98670820	96938908	96871237	98670823
125	24	96579598	98670820	96938908	96871237	98670823
160	24	96579598	98670820	96938908	96871237	98670823
40-200	24	96579598	98670820	96938908	96871237	98670823
250	24	96579598	98670820	96938908	96871237	98670823
315	32	96579599	98670821	96938909	96591314	98670822
125	24	96579598	98670820	96938908	96871237	98670823
160	24	96579598	98670820	96938908	96871237	98670823
50-200	24	96579598	98670820	96938908	96871237	98670823
250	24	96579598	98670820	96938908	96871237	98670823
315	32	96579599	98670821	96938909	96591314	98670822
125	24	96579598	98670820	96938908	96871237	98670823
160	24	96579598	98670820	96938908	96871237	98670823
65-200	24	96579598	98670820	96938908	96871237	98670823
250	32	96579599	98670821	96938909	96591314	98670822
315	32	96579599	98670821	96938909	96591314	98670822
160	24	96579598	98670820	96938908	96871237	98670823
200	32	96579599	98670821	96938909	96591314	98670822
250	32	96579599	98670821	96938909	96591314	98670822
80-315	32	96579599	98670821	96938909	96591314	98670822
315 ¹⁷⁸⁾ ¹⁷⁷⁾	42	95919875	98670816	96938911	96871240	98670826
400	42	95919874	98670815	96938910	96871239	98670825

Pump type	Pump shaft diameter d5	Bearings		Spacer ring	V-ring		
		Standard	PWIS-free		Standard	PWIS-free	
100-	160	24	96579598	98670820	96938908	96871237	98670823
	200	32	96579599	98670821	96938909	96591314	98670822
	250	32	96579599	98670821	96938909	96591314	98670822
	250 ¹⁷⁷⁾	42	95919875	98670816	96938911	96871240	98670826
	315	32	96579599	98670821	96938909	96591314	98670822
	315 ¹⁷⁷⁾	42	95919875	98670816	96938911	96871240	98670826
	400	42	95919874	98670815	96938910	96871239	98670825
125-	200	32	96579599	98670821	96938909	96591314	98670822
	250	32	96579599	98670821	96938909	96591314	98670822
	250 ¹⁷⁷⁾	42	95919875	98670816	96938911	96871240	98670826
	315	42	95919874	98670815	96938910	96871239	98670825
	400	42	95919874	98670815	96938910	96871239	98670825
150-	500	60	95919877	98670818	96938911	96871242	98670828
	200	32	96579599	98670821	96938909	96591314	98670822
	250	42	95919874	98670815	96938910	96871239	98670825
	315.1	42	95919874	98670815	96938910	96871239	98670825
	315.2	42	95919874	98670815	96938910	96871239	98670825
	315	42	95919874	98670815	96938910	96871239	98670825
	400	42	95919874	98670815	96938910	96871239	98670825
	400 ¹⁷⁷⁾	48	95919876	98670817	96938911	96871241	98670827
500	60	95919877	98670818	96938911	96871242	98670828	
200-	400	48	95919876	98670817	96938911	96871241	98670827
	450	48	95919876	98670817	96938911	96871241	98670827
250-	350	48	95919876	98670817	96938911	96871241	98670827
	400	48	95919876	98670817	96938911	96871241	98670827
	450	60	95919877	98670818	96938911	96871242	98670828
	500	60	95919877	98670818	96938911	96871242	98670828

¹⁷ Oversize pump

8)

Wear ring



TM044731

Material code:

A, B, C, D, E, F, G, H, S, T

Pos. 45	Pos. 45b
45: 1 x wear ring	45b: 1 x wear ring

Material code:

J, N, P, R, W

Pos. 45	Pos. 45b
45: 1 x wear ring	45b: 1 x wear ring
65: 1 x wear ring retainer	65b: 1 x wear ring retainer
24: 4 x screw	24b: 4 x screw

Material code:

I, K, L, M, U

Pos. 45	Pos. 45b
45: 1 x wear ring	45b: 1 x wear ring
24: 4 x screw	24b: 4 x screw

Material code A, B, C, D, E, F, G, H, S, T (pump housing material cast iron)

The material code can be found in the type designation on the nameplate.

NK 32 -125 .1 /142 A1 -F(A)-BAQE

Pump type	Wear ring inner diameter [mm]		Wear ring material			
			Bronze/brass		GG	
	Pos. 45	Pos. 45b	Pos. 45	Pos. 45b	Pos. 45	Pos. 45b
32-	125.1		96810099	-	-	-
	160.1		96810098	-	-	-
	200.1		96810098	-	-	-
	125		96810099	-	-	-
	160		96810099	96810102	-	-
	200		96810099	96810102	-	-
	250		96810099	96810103	-	-
40-	125		96810100	96810102	-	-
	160		96810100	96810102	-	-
	200		96810100	96810102	-	-
	250		96810100	96810103	-	-
	315		96810102	96797628	-	-
50-	125		96810102	96810102	-	-
	160		96810102	96810102	-	-
	200		96810102	96810102	-	-
	250		96810102	96810103	-	-
	315		96810103	96797628	-	-
65-	125		96810103	96810102	-	-
	160		96810103	96810104	-	-
	200		96810104	96810104	-	-
	250		96810104	96797628	-	-
	315		96810104	96797628	-	-
80-	160		96810106	96810104	-	-
	200		96810106	96797628	-	-
	250		96810106	96797628	-	-
	315		96810106	96797628	-	-
	400		96797628	96810109	-	-
Pump type	Wear ring inner diameter [mm]		Wear ring material			
			Bronze/brass		GG	
	Pos. 45	Pos. 45b	Pos. 45	Pos. 45b	Pos. 45	Pos. 45b
100-	160		96810107	96810104	-	-
	200	174 154	96810108	96797628	-	-
	200	154 154	96797628	96797628	-	-
	250		96797628	96797628	-	-
	315		96797628	96797628	-	-
	400		96810109	96810109	-	-
	200		96810108	96797628	-	-
125-	250		96810109	96810109	-	-
	315		96810109	96797628	-	-
	400		96810109	96810109	-	-
	500		96810109	96810112	-	-
	200		96810110	96810109	-	-
150-	250	210 185	96810111	96810109	-	-
	250	185 185	96810109	96810109	-	-
	315.1		96810111	96810112	-	-
	315.2		96810111	96810112	-	-
	315		96810111	96810112	-	-
	400		96810112	96810112	-	-
	500		96810112	96810112	-	-
200-	400		96939611	96939611	96939606	96939609
	450		96939612	96939612	96939607	96939607
	350		96939613	96939615	96939608	96939607
	400		96939615	96939615	96939607	96939607
	450		96939614	96939614	96939607	96939607
250-	500		96939615	96939615	96939610	96939610

Note: Oversize pumps use the same wear ring as standard pumps.

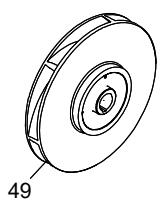
Material code I, J, K, L, M, N, P, R, U, W (pump housing materials 1.4517 or 1.4408)

Pump type	Wear ring inner diameter [mm]		Material code				Material code				
			J, N, P, R, W				I, K, L, M, U				
			ACS approval	-		-		-		Yes	
			Wear ring	Carbon-graphite-filled PTFE	Carbon-graphite-filled PTFE	Carbon-graphite-filled PTFE	1.4517	1.4517	1.4517	1.4517	
Screw	1.4539	1.4401	1.4401	1.4539	1.4401	1.4539	1.4401				
	Pos. 45	Pos. 45b	Pos. 45	Pos. 45b	Pos. 45	Pos. 45b	Pos. 45	Pos. 45b	Pos. 45	Pos. 45b	
	125.1		96810113	96774200	96810114	96810117	96810134	96810138	96810135	96810139	
	160.1		97939262	96774200	97939263	96810117	97939264	96810138	97939265	96810139	
	200.1		97939262	96774200	97939263	96810117	97939264	96810138	97939265	96810139	
32-	125		96810113	96774200	96810114	96810117	96810134	96810138	96810135	96810139	
	160		96810113	96774200	96810114	96810117	96810134	96810138	96810135	96810139	
	200		96810113	96774200	96810114	96810117	96810134	96810138	96810135	96810139	
	250		96810113	96810120	96810114	96810121	96810134	96810142	96810135	96810143	
	125		96810115	96774200	96810116	96810117	96810136	96810138	96810137	96810139	
	160		96810115	96774200	96810116	96810117	96810136	96810138	96810137	96810139	
40-	200		96810115	96774200	96810116	96810117	96810136	96810138	96810137	96810139	
	250		96810115	96810120	96810116	96810121	96810136	96810142	96810137	96810143	
	315		96774200	96810130	96810117	96810131	96810138	96810152	96810139	96810153	
	125		96774200	96774200	96810117	96810117	96810138	96810138	96810139	96810139	
	160		96774200	96774200	96810117	96810117	96810138	96810138	96810139	96810139	
50-	200		96774200	96774200	96810117	96810117	96810138	96810138	96810139	96810139	
	250		96774200	96810120	96810117	96810121	96810138	96810142	96810139	96810143	
	315		96810120	96810130	96810121	96810131	96810142	96810152	96810143	96810153	
	125		96810120	96774200	96810121	96810117	96810142	96810138	96810143	96810139	
	160		96810120	96810124	96810121	96810125	96810142	96810146	96810143	96810147	
65-	200		96810124	96810124	96810125	96810125	96810146	96810146	96810147	96810147	
	250		96810124	96810130	96810125	96810131	96810146	96810152	96810147	96810153	
	315		96810124	96810130	96810125	96810131	96810146	96810152	96810147	96810153	
	160		96810128	96810124	96810129	96810125	96810150	96810146	96810151	96810147	
	200		96810128	96810130	96810129	96810131	96810150	96810152	96810151	96810153	
	250		96810128	96810130	96810129	96810131	96810150	96810152	96810151	96810153	
80-	315		96810128	96810130	96810129	96810131	96810150	96810152	96810151	96810153	
	315 ¹⁷⁹⁾		96810128	96810130	96810129	96810131	96810150	96810152	96810151	96810153	
	400		96810130	96810132	96810131	96810133	96810152	96810154	96810153	96810155	
	160		96810118	96810124	96810119	96810125	96810148	96810146	96810149	96810147	
	200		96810130	96810130	96810131	96810131	96810152	96810152	96810153	96810153	
	250		96810130	96810130	96810131	96810131	96810152	96810152	96810153	96810153	
100-	250 ¹⁷⁹⁾		96810130	96810130	96810131	96810131	96810152	96810152	96810153	96810153	
	315		96810130	96810130	96810131	96810131	96810152	96810152	96810153	96810153	
	315 ¹⁷⁹⁾		96810130	96810130	96810131	96810131	96810152	96810152	96810153	96810153	
	400		96810132	96810132	96810133	96810133	96810154	96810154	96810155	96810155	
	200	174	97939252	96810130	97939253	96810131	97939254	96810152	97939255	96810153	
	200	154	96810130	96810130	96810131	96810131	96810152	96810152	96810153	96810153	
	250		96810132	96810132	96810133	96810133	96810154	96810154	96810155	96810155	
125-	250 ¹⁷⁹⁾		96810132	96810132	96810133	96810133	96810154	96810154	96810155	96810155	
	315		96810132	96810130	96810133	96810131	96810154	96810152	96810155	96810153	
	400		96810132	96810132	96810133	96810133	96810154	96810154	96810155	96810155	
	500		96810132	96810132	96810133	96810133	96810154	96810154	96810155	96810155	

Pump type	Wear ring inner diameter [mm]		Material code				Material code					
			J, N, P, R, W				I, K, L, M, U					
			ACS approval		-		-		-		Yes	
			Wear ring		Carbon-graphite-filled PTFE		Carbon-graphite-filled PTFE		1.4517		1.4517	
Screw		1.4539		1.4401		1.4539		1.4401				
	Pos. 45	Pos. 45b	Pos. 45	Pos. 45b	Pos. 45	Pos. 45b	Pos. 45	Pos. 45b	Pos. 45	Pos. 45b		
	200		97939256	96810132	97939257	96810133	97939258	96810154	97939259	96810155		
	250	210 185	96887266	96810132	96887264	96810133	96887262	96810154	96887255	96810155		
	250	185 185	96810132	96810132	96810133	96810133	96810154	96810154	96810155	96810155		
	315.1		97739720	96887266	97739719	96887264	97739717	96887262	97739700	96887255		
150-	315.2		97739720	96887266	97739719	96887264	97739717	96887262	97739700	96887255		
	315		97739720	96887266	97739719	96887264	97739717	96887262	97739700	96887255		
	400		97739720	97739720	97739719	97739719	97739717	97739717	97739700	97739700		
	400 ¹⁷⁹)		97739720	97739720	97739719	97739719	97739717	97739717	97739700	97739700		
	500		97739720	97739720	97739719	97739719	97739717	97739717	97739700	97739700		
200-	400		-	-	-	-	-	-	-	-		
	450		-	-	-	-	-	-	-	-		
	350		-	-	-	-	-	-	-	-		
250-	400		-	-	-	-	-	-	-	-		
	450		-	-	-	-	-	-	-	-		
	500		-	-	-	-	-	-	-	-		

¹⁷ Oversize pump.
⁹⁾

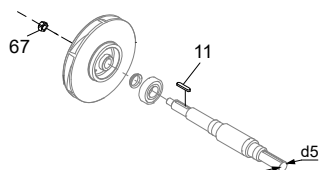
Impeller



TM044729

Find the impeller in Grundfos Product Center, and contact your local sales company.

Nut, washer and key for impeller



TM044782

Material code

A, B, C, D, E, F, G, H, K, M, N, P, S

11 1 x key

67:1 x nut

66a:1 x lock washer

66: 1 x washer

Material code

I, J, L, R, T, U, W

11:1 x key

67:1 x nut

66a:1 x lock washer

66:1 x washer

The material code can be found in the type designation on the nameplate.

NK 32 125 .1 A1 F 1(A)E S BAQE

TM1040603

Pump type	Pump shaft dia.	Material code	
		A, B, C, D, E, F, G, H, K, M, N, P, S	I, J, L, R, T, U, W
125.1	24	96939128	96939129
	24	96939128	96939129
	24	96939128	96939129
32-	125	96939128	96939129
	160	96939128	96939129
	200	96939128	96939129
	250	96939128	96939129
40-	125	96939128	96939129
	160	96939128	96939129
	200	96939128	96939129
	250	96939128	96939129
	315	96939130	96939131
50-	125	96939128	96939129
	160	96939128	96939129
	200	96939128	96939129
	250	96939128	96939129
	315	96939130	96939131
65-	125	96939128	96939129
	160	96939128	96939129
	200	96939128	96939129
	250	96939130	96939131
	315	96939130	96939131

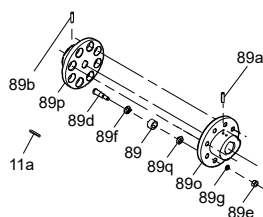
Pump type	Pump shaft dia.	Material code		
		A, B, C, D, E, F, G, H, K, M, N, P, S	I, J, L, R, T, U, W	
80-	160	24	96939128	96939129
	200	32	96939130	96939131
	250	32	96939130	96939131
	315	32	96939130	96939131
	315 ¹⁸⁰⁾	42	96939132	96939133
	400	42	96939132	96939133
100-	160	24	96939128	96939129
	200	32	96939130	96939131
	250	32	96939130	96939131
	250 ¹⁸⁰⁾	42	96939132	96939133
	315	32	96939130	96939131
125-	315 ¹⁸⁰⁾	42	96939132	96939133
	400	42	96939132	96939133
	200	32	96939130	96939131
	250	32	96939130	96939131
	250 ¹⁸⁰⁾	42	96939132	96939133
	315	42	96939132	96939133
	400	42	96939132	96939133
	500	60	96939137	96939138

Pump type	Pump shaft dia.	Material code		
		A, B, C, D, E, F, G, H, K, M, N, P, S	I, J, L, R, T, U, W	
	200	32	96939130	96939131
	250	42	96939132	96939133
	315.1	42	96939132	96939133
150-	315.2	42	96939132	96939133
	315	42	96939132	96939133
	400	42	96939132	96939133
	400 ¹⁸⁾	48	96939134	96939135
	500	60	96939137	96939138
200-	400	48	96939134	96939135
	450	48	96939134	96939135
250-	350	48	96939134	96939135
	400	48	96939134	96939135
	450	60	96939137	96939138
	500	60	96939137	96939138

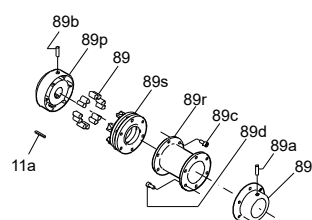
¹⁸ Oversize pump.

0)

Coupling



TM044767



TM044769

Grundfos standard coupling

Coupling complete	Rubber	Bolts
89o: 1 x male part		89d: 1 set of bolts
89p: 1 x female part		89f: 1 x washer
89d: 1 set of bolts/rubber parts	89: 1 set of rubber parts	89q: 1 x washer
89a: 1 x hexagon screw		89g: 1 x lock washer
89b: 1 x hexagon screw		89e: 1 x nut
11a: 1 x key		89: 1 set of rubber parts

Flender spacer coupling

Coupling complete	Rubber
89a: 1 x set screw	
89b: 1 x set screw	
89: 1 set of rubber parts	
89o: 1 x coupling part, male	
89s: 1 x spacer ring	89: 1 set of rubber parts
89p: 1 x coupling part, female	
89r: 1 x spacer sleeve	
89c: 1 set of hexagon screws	
89d: 1 set of hexagon screws	
11a: 1 x key	

Pump type	Motor data					Shaft dia.		Grundfos standard coupling			Flender spacer coupling				
	Pole	Power [kW]		Frame size	Make	Pump	Motor	Coupling diameter	Coupling complete	Rubber	Bolts	Coupling diameter	Spacer length	Coupling complete	Rubber
		50 Hz	60 Hz												
32- 125	2	1.1	-	90S	All	24	24	125	96848894	96789247	96809939	80	100	96579720	96480015
	2	1.5	1.5	90S	All	24	24	125	96848894	96789247	96809939	80	100	96579720	96480015
	2	2.2	2.2	90L	All	24	24	125	96848894	96789247	96809939	80	100	96579720	96480015
	2	3	3	100L	All	24	28	140	96848895	96789247	96809940	80	100	96579722	96480015
	2	-	4	112M	All	24	28	140	96848895	96789247	96809940	80	100	96579722	96480015
	2	-	5.5	132S	All	24	38	160	96848896	96789247	96809941	95	100	96579726	96480016
	4	0.25	0.25	71A	All	24	14	125	96848892	96789247	96809939	80	100	96579717	96480015
	4	0.37	0.37	71B	All	24	14	125	96848892	96789247	96809939	80	100	96579717	96480015
	4	-	0.55	80A	All	24	19	125	96848893	96789247	96809939	80	100	96579719	96480015
32- 160	4	-	0.75	80B	All	24	19	125	96848893	96789247	96809939	80	100	96579719	96480015
	2	2.2	-	90L	All	24	24	125	96848894	96789247	96809939	80	100	96579720	96480015
	2	3	3	100L	All	24	28	140	96848895	96789247	96809940	80	100	96579722	96480015
	2	4	4	112M	All	24	28	140	96848895	96789247	96809940	80	100	96579722	96480015
	2	5.5	5.5	132S	All	24	38	160	96848896	96789247	96809941	95	100	96579726	96480016
	2	-	7.5	132S	All	24	38	160	96848896	96789247	96809941	95	100	96579726	96480016
	2	-	11	160M	All	24	42	180	96848897	96789247	96809941	95	100	96579731	96480016
	4	0.25	-	71A	All	24	14	125	96848892	96789247	96809939	80	100	96579717	96480015
	4	0.37	0.37	71B	All	24	14	125	96848892	96789247	96809939	80	100	96579717	96480015
	4	0.55	0.55	80A	All	24	19	125	96848893	96789247	96809939	80	100	96579719	96480015
	4	0.75	0.75	80B	All	24	19	125	96848893	96789247	96809939	80	100	96579719	96480015
4	-	1.1	90S	All	24	24	125	96848894	96789247	96809939	80	100	96579720	96480015	

Pump type	Motor data				Shaft dia.		Grundfos standard coupling				Flender spacer coupling				
	Pole	Power [kW]		Frame size	Make	Pump [mm]	Motor [mm]	Coupling diameter [mm]	Coupling complete	Rubber	Bolts	Coupling diameter [mm]	Spacer length [mm]	Coupling complete	Rubber
		50 Hz	60 Hz												
32- 200	2	4	-	112M	All	24	28	140	96848895	96789247	96809940	80	100	96579722	96480015
	2	5.5	5.5	132S	All	24	38	160	96848896	96789247	96809941	95	100	96579726	96480016
	2	7.5	7.5	132S	All	24	38	160	96848896	96789247	96809941	95	100	96579726	96480016
	2	11	11	160M	All	24	42	180	96848897	96789247	96809941	95	100	96579731	96480016
	2	-	15	160M	All	24	42	180	96848897	96789247	96809941	95	100	96579731	96480016
	2	-	18.5	160L	All	24	42	180	96848897	96789247	96809941	95	100	96579731	96480016
	4	0.55	-	80A	All	24	19	125	96848893	96789247	96809939	80	100	96579719	96480015
	4	0.75	0.75	80B	All	24	19	125	96848893	96789247	96809939	80	100	96579719	96480015
	4	1.1	1.1	90S	All	24	24	125	96848894	96789247	96809939	80	100	96579720	96480015
	4	1.5	1.5	90L	All	24	24	125	96848894	96789247	96809939	80	100	96579720	96480015
32- 250	2	5.5	5.5	132S	All	24	38	160	96848896	96789247	96809941	95	100	96579726	96480016
	2	7.5	7.5	132S	All	24	38	160	96848896	96789247	96809941	95	100	96579726	96480016
	2	11	11	160M	All	24	42	180	96848897	96789247	96809941	95	100	96579731	96480016
	2	15	15	160M	All	24	42	180	96848897	96789247	96809941	95	100	96579731	96480016
	2	-	18.5	160L	All	24	42	180	96848897	96789247	96809941	95	100	96579731	96480016
	4	0.75	-	80B	All	24	19	125	96848893	96789247	96809939	80	100	96579719	96480015
	4	1.1	1.1	90S	All	24	24	125	96848894	96789247	96809939	80	100	96579720	96480015
	4	1.5	1.5	90L	All	24	24	125	96848894	96789247	96809939	80	100	96579720	96480015
	4	2.2	2.2	100L	All	24	28	140	96848895	96789247	96809940	80	100	96579722	96480015
	32- 125.1	2	0.75	-	80A	All	24	19	125	96848893	96789247	96809939	80	100	96579719
2		1.1	1.1	90S	All	24	24	125	96848894	96789247	96809939	80	100	96579720	96480015
2		1.5	1.5	90S	All	24	24	125	96848894	96789247	96809939	80	100	96579720	96480015
2		2.2	2.2	90L	All	24	24	125	96848894	96789247	96809939	80	100	96579720	96480015
2		-	3	100L	All	24	28	140	96848895	96789247	96809940	80	100	96579722	96480015
2		-	4	112M	All	24	28	140	96848895	96789247	96809940	80	100	96579722	96480015
4		0.25	0.25	71A	All	24	14	125	96848892	96789247	96809939	80	100	96579717	96480015
4		0.37	0.37	71B	All	24	14	125	96848892	96789247	96809939	80	100	96579717	96480015
4		-	0.55	80A	All	24	19	125	96848893	96789247	96809939	80	100	96579719	96480015
32- 160.1		2	1.5	-	90S	All	24	24	125	96848894	96789247	96809939	80	100	96579720
	2	2.2	2.2	90L	All	24	24	125	96848894	96789247	96809939	80	100	96579720	96480015
	2	3	3	100L	All	24	28	140	96848895	96789247	96809940	80	100	96579722	96480015
	2	4	4	112M	All	24	28	140	96848895	96789247	96809940	80	100	96579722	96480015
	2	-	5.5	132S	All	24	38	160	96848896	96789247	96809941	95	100	96579726	96480016
	2	-	7.5	132S	All	24	38	160	96848896	96789247	96809941	95	100	96579726	96480016
	4	0.25	-	71A	All	24	14	125	96848892	96789247	96809939	80	100	96579717	96480015
	4	0.37	0.37	71B	All	24	14	125	96848892	96789247	96809939	80	100	96579717	96480015
	4	0.55	0.55	80A	All	24	19	125	96848893	96789247	96809939	80	100	96579719	96480015
	4	-	0.75	80B	All	24	19	125	96848893	96789247	96809939	80	100	96579719	96480015
32- 200.1	2	3	-	100L	All	24	28	140	96848895	96789247	96809940	80	100	96579722	96480015
	2	4	4	112M	All	24	28	140	96848895	96789247	96809940	80	100	96579722	96480015
	2	5.5	5.5	132S	All	24	38	160	96848896	96789247	96809941	95	100	96579726	96480016
	2	7.5	7.5	132S	All	24	38	160	96848896	96789247	96809941	95	100	96579726	96480016
	2	-	11	160M	All	24	42	180	96848897	96789247	96809941	95	100	96579731	96480016
	4	0.37	-	71B	All	24	14	125	96848892	96789247	96809939	80	100	96579717	96480015
	4	0.55	0.55	80A	All	24	19	125	96848893	96789247	96809939	80	100	96579719	96480015
	4	0.75	0.75	80B	All	24	19	125	96848893	96789247	96809939	80	100	96579719	96480015
	4	-	1.1	90S	All	24	24	125	96848894	96789247	96809939	80	100	96579720	96480015
	4	-	1.5	90L	All	24	24	125	96848894	96789247	96809939	80	100	96579720	96480015

Pump type	Motor data					Shaft dia.		Grundfos standard coupling				Flender spacer coupling			
	Pole	Power [kW]		Frame size	Make	Pump	Motor	Coupling diameter	Coupling complete	Rubber	Bolts	Coupling diameter	Spacer length	Coupling complete	Rubber
		50 Hz	60 Hz												
40- 125	2	1.5	-	90S	All	24	24	125	96848894	96789247	96809939	80	100	96579720	96480015
	2	2.2	-	90L	All	24	24	125	96848894	96789247	96809939	80	100	96579720	96480015
	2	3	3	100L	All	24	28	140	96848895	96789247	96809940	80	100	96579722	96480015
	2	4	4	112M	All	24	28	140	96848895	96789247	96809940	80	100	96579722	96480015
	2	5.5	5.5	132S	All	24	38	160	96848896	96789247	96809941	95	100	96579726	96480016
	2	-	7.5	132S	All	24	38	160	96848896	96789247	96809941	95	100	96579726	96480016
	2	-	11	160M	All	24	42	180	96848897	96789247	96809941	95	100	96579731	96480016
	4	0.25	-	71A	All	24	14	125	96848892	96789247	96809939	80	100	96579717	96480015
	4	0.37	0.37	71B	All	24	14	125	96848892	96789247	96809939	80	100	96579717	96480015
	4	0.55	0.55	80A	All	24	19	125	96848893	96789247	96809939	80	100	96579719	96480015
40- 160	4	-	0.75	80B	All	24	19	125	96848893	96789247	96809939	80	100	96579719	96480015
	4	-	1.1	90S	All	24	24	125	96848894	96789247	96809939	80	100	96579720	96480015
	2	4	-	112M	All	24	28	140	96848895	96789247	96809940	80	100	96579722	96480015
	2	5.5	5.5	132S	All	24	38	160	96848896	96789247	96809941	95	100	96579726	96480016
	2	7.5	7.5	132S	All	24	38	160	96848896	96789247	96809941	95	100	96579726	96480016
	2	11	11	160M	All	24	42	180	96848897	96789247	96809941	95	100	96579731	96480016
	2	-	15	160M	All	24	42	180	96848897	96789247	96809941	95	100	96579731	96480016
	4	0.37	-	71B	All	24	14	125	96848892	96789247	96809939	80	100	96579717	96480015
	4	0.55	0.55	80A	All	24	19	125	96848893	96789247	96809939	80	100	96579719	96480015
	4	0.75	0.75	80B	All	24	19	125	96848893	96789247	96809939	80	100	96579719	96480015
40- 200	4	1.1	1.1	90S	All	24	24	125	96848894	96789247	96809939	80	100	96579720	96480015
	4	-	1.5	90L	All	24	24	125	96848894	96789247	96809939	80	100	96579720	96480015
	4	-	2.2	100L	All	24	28	140	96848895	96789247	96809940	80	100	96579722	96480015
	2	5.5	-	132S	All	24	38	160	96848896	96789247	96809941	95	100	96579726	96480016
	2	7.5	-	132S	All	24	38	160	96848896	96789247	96809941	95	100	96579726	96480016
	2	11	11	160M	All	24	42	180	96848897	96789247	96809941	95	100	96579731	96480016
	2	15	15	160M	All	24	42	180	96848897	96789247	96809941	95	100	96579731	96480016
	2	-	18.5	160L	All	24	42	180	96848897	96789247	96809941	95	100	96579731	96480016
	2	-	22	180M	All	24	48	200	96848898	96789269	96809942	110	100	96579733	96480017
	2	-	30	200L	All	24	55	200	96848899	96789269	96809942	125	100	96579763	96480018
40- 250	4	0.75	-	80B	All	24	19	125	96848893	96789247	96809939	80	100	96579719	96480015
	4	1.1	1.1	90S	All	24	24	125	96848894	96789247	96809939	80	100	96579720	96480015
	4	1.5	1.5	90L	All	24	24	125	96848894	96789247	96809939	80	100	96579720	96480015
	4	2.2	2.2	100L	All	24	28	140	96848895	96789247	96809940	80	100	96579722	96480015
	4	-	3	100L	All	24	28	140	96848895	96789247	96809940	80	100	96579722	96480015
	2	11	-	160M	All	24	42	180	96848897	96789247	96809941	95	100	96579731	96480016
	2	15	15	160M	All	24	42	180	96848897	96789247	96809941	95	100	96579731	96480016
	2	18.5	18.5	160L	All	24	42	180	96848897	96789247	96809941	95	100	96579731	96480016
	2	22	22	180M	All	24	48	200	96848898	96789269	96809942	110	100	96579733	96480017
	2	30	30	200L	All	24	55	200	96848899	96789269	96809942	125	100	96579763	96480018
40- 250	2	-	37	200L	All	24	55	200	96848899	96789269	96809942	125	100	96579763	96480018
	2	-	45	225M	All	24	55	200	96848899	96789269	96809942	125	100	96579763	96480018
	4	1.5	-	90L	All	24	24	125	96848894	96789247	96809939	80	100	96579720	96480015
	4	2.2	2.2	100L	All	24	28	140	96848895	96789247	96809940	80	100	96579722	96480015
	4	3	3	100L	All	24	28	140	96848895	96789247	96809940	80	100	96579722	96480015
	4	-	4	112M	All	24	28	140	96848895	96789247	96809940	80	100	96579722	96480015
4	-	5.5	132S	All	24	38	160	96848896	96789247	96809941	95	100	96579726	96480016	

Pump type	Motor data				Shaft dia.		Grundfos standard coupling				Flender spacer coupling				
	Pole	Power [kW]		Frame size	Make	Pump [mm]	Motor [mm]	Coupling diameter [mm]	Coupling complete	Rubber	Bolts	Coupling diameter [mm]	Spacer length [mm]	Coupling complete	Rubber
		50 Hz	60 Hz												
40- 315	2	22	-	180M	All	32	48	200	96848907	96789269	96809942	110	140	96579803	96480017
	2	30	-	200L	All	32	55	200	96848908	96789269	96809942	125	140	96579804	96480018
	2	37	-	200L	All	32	55	200	96848908	96789269	96809942	125	140	96579804	96480018
	2	45	-	225M	All	32	55	200	96848908	96789269	96809942	125	140	96579804	96480018
	4	3	-	100L	All	32	28	140	96848904	96789247	96809940	80	140	96579788	96480015
	4	4	-	112M	All	32	28	140	96848904	96789247	96809940	80	140	96579788	96480015
	4	5.5	5.5	132S	All	32	38	160	96848905	96789247	96809941	95	140	96579800	96480016
	4	7.5	7.5	132S	All	32	38	160	96848905	96789247	96809941	95	140	96579800	96480016
50- 125	4	-	11	160M	All	32	42	180	96848906	96789247	96809941	95	140	96579802	96480016
	2	3	-	100L	All	24	28	140	96848895	96789247	96809940	80	100	96579722	96480015
	2	4	4	112M	All	24	28	140	96848895	96789247	96809940	80	100	96579722	96480015
	2	5.5	5.5	132S	All	24	38	160	96848896	96789247	96809941	95	100	96579726	96480016
	2	7.5	7.5	132S	All	24	38	160	96848896	96789247	96809941	95	100	96579726	96480016
	2	-	11	160M	All	24	42	180	96848897	96789247	96809941	95	100	96579731	96480016
	2	-	15	160M	All	24	42	180	96848897	96789247	96809941	95	100	96579731	96480016
	4	0.37	-	71B	All	24	14	125	96848892	96789247	96809939	80	100	96579717	96480015
50- 160	4	0.55	0.55	80A	All	24	19	125	96848893	96789247	96809939	80	100	96579719	96480015
	4	0.75	0.75	80B	All	24	19	125	96848893	96789247	96809939	80	100	96579719	96480015
	4	1.1	1.1	90S	All	24	24	125	96848894	96789247	96809939	80	100	96579720	96480015
	4	-	1.5	90L	All	24	24	125	96848894	96789247	96809939	80	100	96579720	96480015
	2	5.5	-	132S	All	24	38	160	96848896	96789247	96809941	95	100	96579726	96480016
	2	7.5	7.5	132S	All	24	38	160	96848896	96789247	96809941	95	100	96579726	96480016
	2	11	11	160M	All	24	42	180	96848897	96789247	96809941	95	100	96579731	96480016
	2	15	15	160M	All	24	42	180	96848897	96789247	96809941	95	100	96579731	96480016
50- 200	2	-	18.5	160L	All	24	42	180	96848897	96789247	96809941	95	100	96579731	96480016
	2	-	22	180M	All	24	48	200	96848898	96789269	96809942	110	100	96579733	96480017
	4	0.55	-	80A	All	24	19	125	96848893	96789247	96809939	80	100	96579719	96480015
	4	0.75	-	80B	All	24	19	125	96848893	96789247	96809939	80	100	96579719	96480015
	4	1.1	1.1	90S	All	24	24	125	96848894	96789247	96809939	80	100	96579720	96480015
	4	1.5	1.5	90L	All	24	24	125	96848894	96789247	96809939	80	100	96579720	96480015
	4	2.2	2.2	100L	All	24	28	140	96848895	96789247	96809940	80	100	96579722	96480015
	4	-	3	100L	All	24	28	140	96848895	96789247	96809940	80	100	96579722	96480015
50- 200	2	11	-	160M	All	24	42	180	96848897	96789247	96809941	95	100	96579731	96480016
	2	15	15	160M	All	24	42	180	96848897	96789247	96809941	95	100	96579731	96480016
	2	18.5	18.5	160L	All	24	42	180	96848897	96789247	96809941	95	100	96579731	96480016
	2	22	22	180M	All	24	48	200	96848898	96789269	96809942	110	100	96579733	96480017
	2	-	30	200L	All	24	55	200	96848899	96789269	96809942	125	100	96579763	96480018
	2	-	37	200L	All	24	55	200	96848899	96789269	96809942	125	100	96579763	96480018
	2	-	45	225M	All	24	55	200	96848899	96789269	96809942	125	100	96579763	96480018
	4	1.1	-	90S	All	24	24	125	96848894	96789247	96809939	80	100	96579720	96480015
50- 200	4	1.5	-	90L	All	24	24	125	96848894	96789247	96809939	80	100	96579720	96480015
	4	2.2	2.2	100L	All	24	28	140	96848895	96789247	96809940	80	100	96579722	96480015
	4	3	3	100L	All	24	28	140	96848895	96789247	96809940	80	100	96579722	96480015
	4	-	4	112M	All	24	28	140	96848895	96789247	96809940	80	100	96579722	96480015
	4	-	5.5	132S	All	24	38	160	96848896	96789247	96809941	95	100	96579726	96480016

Pump type	Motor data					Shaft dia.		Grundfos standard coupling				Flender spacer coupling			
	Pole	Power [kW]		Frame size	Make	Pump	Motor	Coupling diameter	Coupling complete	Rubber	Bolts	Coupling diameter	Spacer length	Coupling complete	Rubber
		50 Hz	60 Hz												
50- 250	2	15	-	160M	All	24	42	180	96848897	96789247	96809941	95	100	96579731	96480016
	2	18.5	-	160L	All	24	42	180	96848897	96789247	96809941	95	100	96579731	96480016
	2	22	-	180M	All	24	48	200	96848898	96789269	96809942	110	100	96579733	96480017
	2	30	30	200L	All	24	55	200	96848899	96789269	96809942	125	100	96579763	96480018
	2	37	37	200L	All	24	55	200	96848899	96789269	96809942	125	100	96579763	96480018
	2	-	45	225M	All	24	55	200	96848899	96789269	96809942	125	100	96579763	96480018
	2	-	55	250M	All	24	60	224	96848900	96789269	96809942	140	100	96861579	96480019
	2	-	75	280S	All	24	65	224	96848901	96789269	96809942	160	100	96861580	96480040
	4	2.2	-	100L	All	24	28	140	96848895	96789247	96809940	80	100	96579722	96480015
	4	3	-	100L	All	24	28	140	96848895	96789247	96809940	80	100	96579722	96480015
	4	4	4	112M	All	24	28	140	96848895	96789247	96809940	80	100	96579722	96480015
	4	-	5.5	132S	All	24	38	160	96848896	96789247	96809941	95	100	96579726	96480016
4	-	7.5	132M	All	24	38	160	96848896	96789247	96809941	95	100	96579726	96480016	
50- 315	2	30	-	200L	All	32	55	200	96848908	96789269	96809942	125	140	96579804	96480018
	2	37	-	200L	All	32	55	200	96848908	96789269	96809942	125	140	96579804	96480018
	2	45	-	225M	All	32	55	200	96848908	96789269	96809942	125	140	96579804	96480018
	2	55	-	250M	All	32	60	224	96848909	96789269	96809942	140	140	96579805	96480019
	4	4	-	112M	All	32	28	140	96848904	96789247	96809940	80	140	96579788	96480015
	4	5.5	5.5	132S	All	32	38	160	96848905	96789247	96809941	95	140	96579800	96480016
	4	7.5	7.5	132M	All	32	38	160	96848905	96789247	96809941	95	140	96579800	96480016
	4	11	11	160M	All	32	42	180	96848906	96789247	96809941	95	140	96579802	96480016
65- 125	2	-	15	160L	All	32	42	180	96848906	96789247	96809941	95	140	96579802	96480016
	2	4	-	112M	All	24	28	140	96848895	96789247	96809940	80	100	96579722	96480015
	2	5.5	-	132S	All	24	38	160	96848896	96789247	96809941	95	100	96579726	96480016
	2	7.5	7.5	132S	All	24	38	160	96848896	96789247	96809941	95	100	96579726	96480016
	2	11	11	160M	All	24	42	180	96848897	96789247	96809941	95	100	96579731	96480016
	2	-	15	160M	All	24	42	180	96848897	96789247	96809941	95	100	96579731	96480016
	2	-	18.5	160L	All	24	42	180	96848897	96789247	96809941	95	100	96579731	96480016
	4	0.55	-	80A	All	24	19	125	96848893	96789247	96809939	80	100	96579719	96480015
	4	0.75	-	80B	All	24	19	125	96848893	96789247	96809939	80	100	96579719	96480015
	4	1.1	1.1	90S	All	24	24	125	96848894	96789247	96809939	80	100	96579720	96480015
	4	-	1.5	90L	All	24	24	125	96848894	96789247	96809939	80	100	96579720	96480015
	4	-	2.2	100L	All	24	28	140	96848895	96789247	96809940	80	100	96579722	96480015
65- 160	2	7.5	-	132S	All	24	38	160	96848896	96789247	96809941	95	100	96579726	96480016
	2	11	11	160M	All	24	42	180	96848897	96789247	96809941	95	100	96579731	96480016
	2	15	15	160M	All	24	42	180	96848897	96789247	96809941	95	100	96579731	96480016
	2	18.5	18.5	160L	All	24	42	180	96848897	96789247	96809941	95	100	96579731	96480016
	2	-	22	180M	All	24	48	200	96848898	96789269	96809942	110	100	96579733	96480017
	2	-	30	200L	All	24	55	200	96848899	96789269	96809942	125	100	96579763	96480018
	4	0.75	-	80B	All	24	19	125	96848893	96789247	96809939	80	100	96579719	96480015
	4	1.1	-	90S	All	24	24	125	96848894	96789247	96809939	80	100	96579720	96480015
	4	1.5	1.5	90L	All	24	24	125	96848894	96789247	96809939	80	100	96579720	96480015
	4	2.2	2.2	100L	All	24	28	140	96848895	96789247	96809940	80	100	96579722	96480015
	4	-	3	100L	All	24	28	140	96848895	96789247	96809940	80	100	96579722	96480015
	4	-	4	112M	All	24	28	140	96848895	96789247	96809940	80	100	96579722	96480015

Pump type	Motor data				Shaft dia.		Grundfos standard coupling				Flender spacer coupling					
	Pole	Power [kW]		Frame size	Make	Pump [mm]	Motor [mm]	Coupling diameter [mm]	Coupling complete	Rubber	Bolts	Coupling diameter [mm]	Spacer length [mm]	Coupling complete	Rubber	
		50 Hz	60 Hz													
65- 200	2	11	-	160M	All	24	42	180	96848897	96789247	96809941	95	140	96579732	96480016	
	2	15	-	160M	All	24	42	180	96848897	96789247	96809941	95	140	96579732	96480016	
	2	18.5	18.5	160L	All	24	42	180	96848897	96789247	96809941	95	140	96579732	96480016	
	2	22	22	180M	All	24	48	200	96848898	96789269	96809942	110	140	96579755	96480017	
	2	30	30	200L	All	24	55	200	96848899	96789269	96809942	125	140	96579766	96480018	
	2	37	37	200L	All	24	55	200	96848899	96789269	96809942	125	140	96579766	96480018	
	2	-	45	225M	All	24	55	200	96848899	96789269	96809942	125	140	96579766	96480018	
	2	-	55	250M	All	24	60	224	96848900	96789269	96809942	140	140	96579780	96480019	
	4	1.5	-	90L	All	24	24	125	96848894	96789247	96809939	80	140	96579721	96480015	
	4	2.2	-	100L	All	24	28	140	96848895	96789247	96809940	80	140	96579724	96480015	
	4	3	3	100L	All	24	28	140	96848895	96789247	96809940	80	140	96579724	96480015	
	4	4	4	112M	All	24	28	140	96848895	96789247	96809940	80	140	96579724	96480015	
	4	-	5.5	132S	All	24	38	160	96848896	96789247	96809941	95	140	96579729	96480016	
	4	-	7.5	132M	All	24	38	160	96848896	96789247	96809941	95	140	96579729	96480016	
	65- 250	2	30	-	200L	All	32	55	200	96848908	96789269	96809942	125	140	96579804	96480018
		2	37	-	200L	All	32	55	200	96848908	96789269	96809942	125	140	96579804	96480018
2		45	45	225M	All	32	55	200	96848908	96789269	96809942	125	140	96579804	96480018	
2		55	55	250M	All	32	60	224	96848909	96789269	96809942	140	140	96579805	96480019	
2		75	75	280S	All	32	65	224	96848910	96789269	96809942	160	140	96579806	96480040	
2		-	90	280M	All	32	65	224	96848910	96789269	96809942	160	140	96579806	96480040	
2		-	110	315S	All	32	65	224	96848910	96789269	96809942	160	140	96579806	96480040	
4		3	-	100L	All	32	28	140	96848904	96789247	96809940	80	140	96579788	96480015	
4		4	-	112M	All	32	28	140	96848904	96789247	96809940	80	140	96579788	96480015	
4		5.5	5.5	132S	All	32	38	160	96848905	96789247	96809941	95	140	96579800	96480016	
4		7.5	7.5	132M	All	32	38	160	96848905	96789247	96809941	95	140	96579800	96480016	
4		-	11	160M	All	32	42	180	96848906	96789247	96809941	95	140	96579802	96480016	
4		-	15	160L	All	32	42	180	96848906	96789247	96809941	95	140	96579802	96480016	
65- 315		2	55	-	250M	All	32	60	224	96848909	96789269	96809942	140	140	96579805	96480019
	2	75	-	280S	All	32	65	224	96848910	96789269	96809942	160	140	96579806	96480040	
	2	90	-	280M	All	32	65	224	96848910	96789269	96809942	160	140	96579806	96480040	
	2	110	-	315S	All	32	65	224	96848910	96789269	96809942	160	140	96579806	96480040	
	4	5.5	-	132S	All	32	38	160	96848905	96789247	96809941	95	140	96579800	96480016	
	4	7.5	7.5	132M	All	32	38	160	96848905	96789247	96809941	95	140	96579800	96480016	
	4	11	11	160M	All	32	42	180	96848906	96789247	96809941	95	140	96579802	96480016	
	4	15	15	160L	All	32	42	180	96848906	96789247	96809941	95	140	96579802	96480016	
	4	-	18.5	180M	All	32	48	200	96848907	96789269	96809942	110	140	96579803	96480017	
	4	-	22	180L	All	32	48	200	96848907	96789269	96809942	110	140	96579803	96480017	
	80- 160	2	11	-	160M	All	24	42	180	96848897	96789247	96809941	95	140	96579732	96480016
		2	15	-	160M	All	24	42	180	96848897	96789247	96809941	95	140	96579732	96480016
2		18.5	-	160L	All	24	42	180	96848897	96789247	96809941	95	140	96579732	96480016	
2		22	22	180M	All	24	48	200	96848898	96789269	96809942	110	140	96579755	96480017	
2		30	30	200L	All	24	55	200	96848899	96789269	96809942	125	140	96579766	96480018	
2		-	37	200L	All	24	55	200	96848899	96789269	96809942	125	140	96579766	96480018	
2		-	45	225M	All	24	55	200	96848899	96789269	96809942	125	140	96579766	96480018	
2		-	55	250M	All	24	60	224	96848900	96789269	96809942	140	140	96579780	96480019	
4		1.5	-	90L	All	24	24	125	96848894	96789247	96809939	80	140	96579721	96480015	
4		2.2	-	100L	All	24	28	140	96848895	96789247	96809940	80	140	96579724	96480015	
4		3	3	100L	All	24	28	140	96848895	96789247	96809940	80	140	96579724	96480015	
4		4	4	112M	All	24	28	140	96848895	96789247	96809940	80	140	96579724	96480015	
4		-	5.5	132S	All	24	38	160	96848896	96789247	96809941	95	140	96579729	96480016	

Pump type	Motor data				Shaft dia.		Grundfos standard coupling				Flender spacer coupling					
	Pole	Power [kW]		Frame size	Make	Pump	Motor	Coupling diameter	Coupling complete	Rubber	Bolts	Coupling diameter	Spacer length	Coupling complete	Rubber	
		50 Hz	60 Hz													[mm]
80- 200	2	22	-	180M	All	32	48	200	96848907	96789269	96809942	110	140	96579803	96480017	
	2	30	-	200L	All	32	55	200	96848908	96789269	96809942	125	140	96579804	96480018	
	2	37	37	200L	All	32	55	200	96848908	96789269	96809942	125	140	96579804	96480018	
	2	45	45	225M	All	32	55	200	96848908	96789269	96809942	125	140	96579804	96480018	
	2	55	55	250M	All	32	60	224	96848909	96789269	96809942	140	140	96579805	96480019	
	2	-	75	280S	All	32	65	224	96848910	96789269	96809942	160	140	96579806	96480040	
	2	-	90	280M	All	32	65	224	96848910	96789269	96809942	160	140	96579806	96480040	
	4	2.2	-	100L	All	32	28	140	96848904	96789247	96809940	80	140	96579788	96480015	
	4	3	-	100L	All	32	28	140	96848904	96789247	96809940	80	140	96579788	96480015	
	4	4	4	112M	All	32	28	140	96848904	96789247	96809940	80	140	96579788	96480015	
	4	5.5	5.5	132S	All	32	38	160	96848905	96789247	96809941	95	140	96579800	96480016	
	4	7.5	7.5	132M	All	32	38	160	96848905	96789247	96809941	95	140	96579800	96480016	
	4	-	11	160M	All	32	42	180	96848906	96789247	96809941	95	140	96579802	96480016	
	80- 250	2	45	-	225M	All	32	55	200	96848908	96789269	96809942	125	140	96579804	96480018
2		55	-	250M	All	32	60	224	96848909	96789269	96809942	140	140	96579805	96480019	
2		75	75	280S	All	32	65	224	96848910	96789269	96809942	160	140	96579806	96480040	
2		90	90	280M	All	32	65	224	96848910	96789269	96809942	160	140	96579806	96480040	
2		-	110	315S	All	32	65	224	96848910	96789269	96809942	160	140	96579806	96480040	
2		-	132	315M	All	32	65	224	96848910	96789269	96809942	160	140	96579806	96480040	
2		-	160	315L	All	32	65	224	96848910	96789269	96809942	160	140	96579806	96480040	
4		5.5	-	132S	All	32	38	160	96848905	96789247	96809941	95	140	96579800	96480016	
4		7.5	7.5	132M	All	32	38	160	96848905	96789247	96809941	95	140	96579800	96480016	
4		11	11	160M	All	32	42	180	96848906	96789247	96809941	95	140	96579802	96480016	
4		-	15	160L	All	32	42	180	96848906	96789247	96809941	95	140	96579802	96480016	
4		-	18.5	180M	All	32	48	200	96848907	96789269	96809942	110	140	96579803	96480017	
80- 315		2	90	-	280M	All	32	65	224	96848910	96789269	96809942	160	140	96579806	96480040
		2	110	-	315S	All	32	65	224	96848910	96789269	96809942	160	140	96579806	96480040
	2	132	-	315M	All	32	65	224	96848910	96789269	96809942	160	140	96579806	96480040	
	4	11	-	160M	All	32	42	180	96848906	96789247	96809941	95	140	96579802	96480016	
	4	15	-	160L	All	32	42	180	96848906	96789247	96809941	95	140	96579802	96480016	
	4	18.5	18.5	180M	All	32	48	200	96848907	96789269	96809942	110	140	96579803	96480017	
	4	22	22	180L	All	32	48	200	96848907	96789269	96809942	110	140	96579803	96480017	
	4	-	30	200L	All	32	55	200	96848908	96789269	96809942	125	140	96579804	96480018	
	4	-	37	225S	All	32	60	224	96848909	96789269	96809942	140	140	96579805	96480019	
	4	-	45	225M	All	32	60	224	96848909	96789269	96809942	140	140	96579805	96480019	
	80- 400	4	18.5	-	180M	All	42	48	200	96848916	96789269	96809942	110	140	96861611	96480017
		4	22	-	180L	All	42	48	200	96848916	96789269	96809942	110	140	96861611	96480017
		4	30	30	200L	All	42	55	200	96848917	96789269	96809942	125	140	96861613	96480018
		4	37	37	225S	All	42	60	224	96848918	96789269	96809942	140	140	96861615	96480019
4		45	45	225M	All	42	60	224	96848918	96789269	96809942	140	140	96861615	96480019	
4		-	55	250M	Siemens, MMG-E	42	65	224	96848919	96789269	96809942	160	140	96861617	96480040	
4		-	55	250SC	MMG-G, EFF1 & EFF2	42	70	250	96848920	96789274	96809943	180	140	96861620	96796254	
4		-	75	280S	Siemens, MMG-E	42	75	250	96848921	96789274	96809943	180	140	96861623	96796254	
4		-	75	250MC	MMG-G, EFF1 & EFF2	42	70	250	96848920	96789274	96809943	180	140	96861620	96796254	
4		-	90	280M	Siemens, MMG-E	42	75	250	96848921	96789274	96809943	180	140	96861623	96796254	
4		-	90	280S	MMG-G, EFF1 & EFF2	42	80	250	96848922	96789274	96809943	200	140	96861626	96796255	
80- 315*		2	160	-	315L	All	42	65	224	96848919	96789269	96809942	160	140	96861617	96480040

Pump type	Motor data				Shaft dia.		Grundfos standard coupling				Flender spacer coupling				
	Pole	Power [kW]		Frame size	Make	Pump	Motor	Coupling diameter	Coupling complete	Rubber	Bolts	Coupling diameter	Spacer length	Coupling complete	Rubber
		50 Hz	60 Hz												
100- 160	2	22	-	180M	All	24	48	200	96848898	96789269	96809942	110	140	96579755	96480017
	2	30	-	200L	All	24	55	200	96848899	96789269	96809942	125	140	96579766	96480018
	2	37	37	200L	All	24	55	200	96848899	96789269	96809942	125	140	96579766	96480018
	2	-	45	225M	All	24	55	200	96848899	96789269	96809942	125	140	96579766	96480018
	2	-	55	250M	All	24	60	224	96848900	96789269	96809942	140	140	96579780	96480019
	2	-	75	280S	All	24	65	224	96848901	96789269	96809942	160	140	96579781	96480040
	4	2.2	-	100L	All	24	28	140	96848895	96789247	96809940	80	140	96579724	96480015
	4	3	-	100L	All	24	28	140	96848895	96789247	96809940	80	140	96579724	96480015
	4	4	4	112M	All	24	28	140	96848895	96789247	96809940	80	140	96579724	96480015
	4	-	5.5	132S	All	24	38	160	96848896	96789247	96809941	95	140	96579729	96480016
	4	-	7.5	132M	All	24	38	160	96848896	96789247	96809941	95	140	96579729	96480016
	6	0.55	-	80B	All	24	19	125	96848893	96789247	96809939	80	140	96861578	96480015
	6	0.75	-	90S	All	24	24	125	96848894	96789247	96809939	80	140	96579721	96480015
	6	1.1	1.1	90L	All	24	24	125	96848894	96789247	96809939	80	140	96579721	96480015
	6	-	1.5	100L	All	24	28	140	96848895	96789247	96809940	80	140	96579724	96480015
	100- 200	2	30	-	200L	All	32	55	200	96848908	96789269	96809942	125	140	96579804
2		37	-	200L	All	32	55	200	96848908	96789269	96809942	125	140	96579804	96480018
2		45	-	225M	All	32	55	200	96848908	96789269	96809942	125	140	96579804	96480018
2		55	55	250M	All	32	60	224	96848909	96789269	96809942	140	140	96579805	96480019
2		75	75	280S	All	32	65	224	96848910	96789269	96809942	160	140	96579806	96480040
2		-	90	280M	All	32	65	224	96848910	96789269	96809942	160	140	96579806	96480040
2		-	110	315S	All	32	65	224	96848910	96789269	96809942	160	140	96579806	96480040
2		-	132	315M	All	32	65	224	96848910	96789269	96809942	160	140	96579806	96480040
4		4	-	112M	All	32	28	140	96848904	96789247	96809940	80	140	96579788	96480015
4		5.5	5.5	132S	All	32	38	160	96848905	96789247	96809941	95	140	96579800	96480016
4		7.5	7.5	132M	All	32	38	160	96848905	96789247	96809941	95	140	96579800	96480016
4		11	11	160M	All	32	42	180	96848906	96789247	96809941	95	140	96579802	96480016
4		-	15	160L	All	32	42	180	96848906	96789247	96809941	95	140	96579802	96480016
4		-	18.5	180M	All	32	48	200	96848907	96789269	96809942	110	140	96579803	96480017
6		1.1	-	90L	All	32	24	125	96848903	96789247	96809939	80	140	96579785	96480015
6		1.5	1.5	100L	All	32	28	140	96848904	96789247	96809940	80	140	96579788	96480015
6	2.2	2.2	112M	All	32	28	140	96848904	96789247	96809940	80	140	96579788	96480015	
6	3	3	132SA	All	32	38	160	96848905	96789247	96809941	95	140	96579800	96480016	
6	-	4	132MA	All	32	38	160	96848905	96789247	96809941	95	140	96579800	96480016	
6	-	5.5	132MB	All	32	38	160	96848905	96789247	96809941	95	140	96579800	96480016	

Pump type	Motor data				Shaft dia.		Grundfos standard coupling				Flender spacer coupling				
	Pole	Power [kW]		Frame size	Make	Pump	Motor	Coupling diameter	Coupling complete	Rubber	Bolts	Coupling diameter	Spacer length	Coupling complete	Rubber
		50 Hz	60 Hz												
100- 250	2	55	-	250M	All	32	60	224	96848909	96789269	96809942	140	140	96579805	96480019
	2	75	-	280S	All	32	65	224	96848910	96789269	96809942	160	140	96579806	96480040
	2	90	-	280M	All	32	65	224	96848910	96789269	96809942	160	140	96579806	96480040
	2	110	110	315S	All	32	65	224	96848910	96789269	96809942	160	140	96579806	96480040
	2	132	132	315M	All	32	65	224	96848910	96789269	96809942	160	140	96579806	96480040
	2	-	160	315L	All	32	65	224	96848910	96789269	96809942	160	140	96579806	96480040
	2	-	200	315L	All	32	65	224	96848910	96789269	96809942	160	140	96579806	96480040
	2	-	280	315L	Siemens	32	65	224	96848910	96789269	96809942	200	140	96706822	96796255
	2	-	250	355	MMG-E	32	75	250	96848912	96789274	96809943	180	140	96861604	96796254
	2	-	250	315	MMG-G, EFF1	32	70	250	96848911	96789274	96809943	180	140	96861603	96796254
	2	-	250	355	MMG-G, EFF2	32	75	250	96848912	96789274	96809943	180	140	96861604	96796254
	4	7.5	-	132M	All	32	38	160	96848905	96789247	96809941	95	140	96579800	96480016
	4	11	-	160M	All	32	42	180	96848906	96789247	96809941	95	140	96579802	96480016
	4	15	15	160L	All	32	42	180	96848906	96789247	96809941	95	140	96579802	96480016
	4	18.5	18.5	180M	All	32	48	200	96848907	96789269	96809942	110	140	96579803	96480017
	4	-	22	180L	All	32	48	200	96848907	96789269	96809942	110	140	96579803	96480017
	4	-	30	200L	All	32	55	200	96848908	96789269	96809942	125	140	96579804	96480018
	6	2.2	-	112M	All	32	28	140	96848904	96789247	96809940	80	140	96579788	96480015
	6	3	-	132SA	All	32	38	160	96848905	96789247	96809941	95	140	96579800	96480016
	6	4	4	132MA	All	32	38	160	96848905	96789247	96809941	95	140	96579800	96480016
6	5.5	5.5	132MB	All	32	38	160	96848905	96789247	96809941	95	140	96579800	96480016	
6	-	7.5	160M	All	32	42	180	96848906	96789247	96809941	95	140	96579802	96480016	
6	-	11	160L	All	32	42	180	96848906	96789247	96809941	95	140	96579802	96480016	
100- 315	2	110	-	315S	All	32	65	224	96848910	96789269	96809942	160	140	96579806	96480040
	2	132	-	315M	All	32	65	224	96848910	96789269	96809942	160	140	96579806	96480040
	4	15	-	160L	All	32	42	180	96848906	96789247	96809941	95	140	96579802	96480016
	4	18.5	-	180M	All	32	48	200	96848907	96789269	96809942	110	140	96579803	96480017
	4	22	22	180L	All	32	48	200	96848907	96789269	96809942	110	140	96579803	96480017
	4	30	30	200L	All	32	55	200	96848908	96789269	96809942	125	140	96579804	96480018
	4	-	37	225S	All	32	60	224	96848909	96789269	96809942	140	140	96579805	96480019
	4	-	45	225M	All	32	60	224	96848909	96789269	96809942	140	140	96579805	96480019
	4	-	55	250M	Siemens, MMG-E	32	65	224	96848910	96789269	96809942	160	140	96579806	96480040
	4	-	55	250SC	MMG-G, EFF1 & EFF2	32	70	250	96848911	96789274	96809943	180	140	96861603	96796254
	6	4	-	132MA	All	32	38	160	96848905	96789247	96809941	95	140	96579800	96480016
	6	5.5	-	132MB	All	32	38	160	96848905	96789247	96809941	95	140	96579800	96480016
	6	7.5	7.5	160M	All	32	42	180	96848906	96789247	96809941	95	140	96579802	96480016
6	11	11	160L	All	32	42	180	96848906	96789247	96809941	95	140	96579802	96480016	
6	-	15	180L	All	32	48	200	96848907	96789269	96809942	110	140	96579803	96480017	

Pump type	Motor data				Shaft dia.		Grundfos standard coupling				Flender spacer coupling				
	Pole	Power [kW]		Frame size	Make	Pump	Motor	Coupling diameter	Coupling complete	Rubber	Bolts	Coupling diameter	Spacer length	Coupling complete	Rubber
		50 Hz	60 Hz												
100- 400	4	22	-	180L	All	42	48	200	96848916	96789269	96809942	110	140	96861611	96480017
	4	30	-	200L	All	42	55	200	96848917	96789269	96809942	125	140	96861613	96480018
	4	37	37	225S	All	42	60	224	96848918	96789269	96809942	140	140	96861615	96480019
	4	45	45	225M	All	42	60	224	96848918	96789269	96809942	140	140	96861615	96480019
	4	55	55	250M	Siemens, MMG-E	42	65	224	96848919	96789269	96809942	160	140	96861617	96480040
	4	55	55	250SC	MMG-G, EFF1 & EFF2	42	70	250	96848920	96789274	96809943	180	140	96861620	96796254
	4	-	75	280S	Siemens, MMG-E	42	75	250	96848921	96789274	96809943	180	140	96861623	96796254
	4	-	75	250MC	MMG-G, EFF1 & EFF2	42	70	250	96848920	96789274	96809943	180	140	96861620	96796254
	4	-	90	280M	Siemens, MMG-E	42	75	250	96848921	96789274	96809943	180	140	96861623	96796254
	4	-	90	280S	MMG-G, EFF1 & EFF2	42	80	250	96848922	96789274	96809943	200	140	96861626	96796255
	6	7.5	-	160M	All	42	42	180	96848915	96789247	96809941	95	140	96861609	96480016
	6	11	11	160L	All	42	42	180	96848915	96789247	96809941	95	140	96861609	96480016
	6	15	15	180L	All	42	48	200	96848916	96789269	96809942	110	140	96861611	96480017
	6	18.5	18.5	200LA	All	42	55	200	96848917	96789269	96809942	125	140	96861613	96480018
	6	-	22	200LB	All	42	55	200	96848917	96789269	96809942	125	140	96861613	96480018
	6	-	30	225M	All	42	60	224	96848918	96789269	96809942	140	140	96861615	96480019
100- 250*	2	-	200	315L	All	42	65	224	96848919	96789269	96809942	160	140	96861617	96480040
100- 315*	2	160	-	315L	All	42	65	224	96848919	96789269	96809942	160	140	96861617	96480040
	2	200	-	315L	All	42	65	224	96848919	96789269	96809942	180	140	96861618	96796254
	2	45	-	225M	All	32	55	200	96848908	96789269	96809942	125	140	96579804	96480018
	2	55	-	250M	All	32	60	224	96848909	96789269	96809942	140	140	96579805	96480019
	2	75	75	280S	All	32	65	224	96848910	96789269	96809942	160	140	96579806	96480040
	2	90	90	280M	All	32	65	224	96848910	96789269	96809942	160	140	96579806	96480040
	2	110	110	315S	All	32	65	224	96848910	96789269	96809942	160	140	96579806	96480040
	2	-	132	315M	All	32	65	224	96848910	96789269	96809942	160	140	96579806	96480040
	2	-	160	315L	All	32	65	224	96848910	96789269	96809942	160	140	96579806	96480040
	2	-	200	315L	All	32	65	224	96848910	96789269	96809942	160	140	96579806	96480040
125- 200	4	5.5	-	132S	All	32	38	160	96848905	96789247	96809941	95	140	96579800	96480016
	4	7.5	-	132M	All	32	38	160	96848905	96789247	96809941	95	140	96579800	96480016
	4	11	11	160M	All	32	42	180	96848906	96789247	96809941	95	140	96579802	96480016
	4	15	15	160L	All	32	42	180	96848906	96789247	96809941	95	140	96579802	96480016
	4	-	18.5	180M	All	32	48	200	96848907	96789269	96809942	110	140	96579803	96480017
	4	-	22	180L	All	32	48	200	96848907	96789269	96809942	110	140	96579803	96480017
	6	1.5	-	100L	All	32	28	140	96848904	96789247	96809940	80	140	96579788	96480015
	6	2.2	-	112M	All	32	28	140	96848904	96789247	96809940	80	140	96579788	96480015
	6	3	3	132SA	All	32	38	160	96848905	96789247	96809941	95	140	96579800	96480016
	6	4	4	132MA	All	32	38	160	96848905	96789247	96809941	95	140	96579800	96480016
	6	-	5.5	132MB	All	32	38	160	96848905	96789247	96809941	95	140	96579800	96480016
	6	-	7.5	160M	All	32	42	180	96848906	96789247	96809941	95	140	96579802	96480016

Pump type	Motor data				Shaft dia.		Grundfos standard coupling				Flender spacer coupling				
	Pole	Power [kW]		Frame size	Make	Pump	Motor	Coupling diameter	Coupling complete	Rubber	Bolts	Coupling diameter	Spacer length	Coupling complete	Rubber
		50 Hz	60 Hz												
125- 250	4	11	-	160M	All	32	42	180	96848906	96789247	96809941	95	140	96579802	96480016
	4	15	-	160L	All	32	42	180	96848906	96789247	96809941	95	140	96579802	96480016
	4	18.5	18.5	180M	All	32	48	200	96848907	96789269	96809942	110	140	96579803	96480017
	4	22	22	180L	All	32	48	200	96848907	96789269	96809942	110	140	96579803	96480017
	4	30	30	200L	All	32	55	200	96848908	96789269	96809942	125	140	96579804	96480018
	4	-	37	225S	All	32	60	224	96848909	96789269	96809942	140	140	96579805	96480019
	4	-	45	225M	All	32	60	224	96848909	96789269	96809942	140	140	96579805	96480019
	6	3	-	132SA	All	32	38	160	96848905	96789247	96809941	95	140	96579800	96480016
	6	4	-	132MA	All	32	38	160	96848905	96789247	96809941	95	140	96579800	96480016
	6	5.5	5.5	132MB	All	32	38	160	96848905	96789247	96809941	95	140	96579800	96480016
	6	7.5	7.5	160M	All	32	42	180	96848906	96789247	96809941	95	140	96579802	96480016
	6	-	11	160L	All	32	42	180	96848906	96789247	96809941	95	140	96579802	96480016
	6	-	15	180L	All	32	48	200	96848907	96789269	96809942	110	140	96579803	96480017
	125- 250*	2	90	-	280M	All	42	65	224	96848919	96789269	96809942	160	140	96861617
2		110	-	315S	All	42	65	224	96848919	96789269	96809942	160	140	96861617	96480040
2		132	-	315M	All	42	65	224	96848919	96789269	96809942	160	140	96861617	96480040
2		160	160	315L	All	42	65	224	96848919	96789269	96809942	160	140	96861617	96480040
2		200	200	315L	All	42	65	224	96848919	96789269	96809942	180	140	96861618	96796254
2		-	280	315L	Siemens	42	65	224	96848919	96789269	96809942	180	140	96861618	96796254
2		-	250	355	MMG-E	42	75	250	96848921	96789274	96809943	180	140	96861623	96796254
2		-	250	315	MMG-G, EFF1	42	70	250	96848920	96789274	96809943	180	140	96861620	96796254
2		-	250	355	MMG-G, EFF2	42	75	250	96848921	96789274	96809943	180	140	96861623	96796254
2		-	353	315L	Siemens	42	65	224	96848919	96789269	96809942	180	140	96861618	96796254
2		-	315	355	MMG-E	42	75	250	96848921	96789274	96809943	180	140	96861623	96796254
2		-	315	315	MMG-G, EFF1	42	70	250	96848920	96789274	96809943	180	140	96861620	96796254
2		-	315	355	MMG-G, EFF2	42	75	250	96848921	96789274	96809943	180	140	96861623	96796254
125- 315		2	132	-	315M	All	42	65	224	96848919	96789269	96809942	160	140	96861617
	2	160	-	315L	All	42	65	224	96848919	96789269	96809942	160	140	96861617	96480040
	2	200	-	315L	All	42	65	224	96848919	96789269	96809942	180	140	96861618	96796254
	2	250	-	315L	Siemens	42	65	224	96848919	96789269	96809942	180	140	96861618	96796254
	2	250	-	355	MMG-E	42	75	250	96848921	96789274	96809943	180	140	96861623	96796254
	2	250	-	315	MMG-G, EFF1	42	70	250	96848920	96789274	96809943	180	140	96861620	96796254
	2	250	-	355	MMG-G, EFF2	42	75	250	96848921	96789274	96809943	180	140	96861623	96796254
	4	18.5	-	180M	All	42	48	200	96848916	96789269	96809942	110	140	96861611	96480017
	4	22	-	180L	All	42	48	200	96848916	96789269	96809942	110	140	96861611	96480017
	4	30	30	200L	All	42	55	200	96848917	96789269	96809942	125	140	96861613	96480018
	4	37	37	225S	All	42	60	224	96848918	96789269	96809942	140	140	96861615	96480019
	4	45	45	225M	All	42	60	224	96848918	96789269	96809942	140	140	96861615	96480019
	4	-	55	250M	Siemens, MMG-E	42	65	224	96848919	96789269	96809942	160	140	96861617	96480040
	4	-	55	250SC	MMG-G, EFF1 & EFF2	42	70	250	96848920	96789274	96809943	180	140	96861620	96796254
	4	-	75	280S	Siemens, MMG-E	42	75	250	96848921	96789274	96809943	180	140	96861623	96796254
	4	-	75	250MC	MMG-G, EFF1 & EFF2	42	70	250	96848920	96789274	96809943	180	140	96861620	96796254
	6	5.5	-	132MB	All	42	38	160	96848914	96789247	96809941	95	140	96861607	96480016
	6	7.5	7.5	160M	All	42	42	180	96848915	96789247	96809941	95	140	96861609	96480016
6	11	11	160L	All	42	42	180	96848915	96789247	96809941	95	140	96861609	96480016	
6	15	15	180L	All	42	48	200	96848916	96789269	96809942	110	140	96861611	96480017	
6	-	18.5	200LA	All	42	55	200	96848917	96789269	96809942	125	140	96861613	96480018	
6	-	22	200LB	All	42	55	200	96848917	96789269	96809942	125	140	96861613	96480018	

Pump type	Motor data				Shaft dia.		Grundfos standard coupling				Flender spacer coupling				
	Pole	Power [kW]		Frame size	Make	Pump	Motor	Coupling diameter	Coupling complete	Rubber	Bolts	Coupling diameter	Spacer length	Coupling complete	Rubber
		50 Hz	60 Hz												
125- 400	4	37	-	225S	All	42	60	224	96848918	96789269	96809942	140	140	96861615	96480019
	4	45	-	225M	All	42	60	224	96848918	96789269	96809942	140	140	96861615	96480019
	4	55	55	250M	Siemens, MMG-E	42	65	224	96848919	96789269	96809942	160	140	96861617	96480040
	4	55	55	250SC	MMG-G, EFF1 & EFF2	42	70	250	96848920	96789274	96809943	180	140	96861620	96796254
	4	75	75	280S	Siemens, MMG-E	42	75	250	96848921	96789274	96809943	180	140	96861623	96796254
	4	75	75	250MC	MMG-G, EFF1 & EFF2	42	70	250	96848920	96789274	96809943	180	140	96861620	96796254
	4	90	90	280M	Siemens, MMG-E	42	75	250	96848921	96789274	96809943	180	140	96861623	96796254
	4	90	90	280S	MMG-G, EFF1 & EFF2	42	80	250	96848922	96789274	96809943	200	140	96861626	96796255
	4	-	110	315S	Siemens, MMG-E	42	80	250	96848922	96789274	96809943	200	140	96861626	96796255
	4	-	110	280M	MMG-G, EFF1 & EFF2	42	80	250	96848922	96789274	96809943	200	140	96861626	96796255
	4	-	132	315M	Siemens, MMG-E	42	80	250	96848922	96789274	96809943	200	140	96861626	96796255
	4	-	132	315S	MMG-G, EFF1 & EFF2	42	85	250	96848923	96789274	96809943	200	140	96861628	96796255
	6	11	-	160L	All	42	42	180	96848915	96789247	96809941	95	140	96861609	96480016
	6	15	-	180L	All	42	48	200	96848916	96789269	96809942	110	140	96861611	96480017
	6	18.5	18.5	200LA	Siemens	42	55	200	96848917	96789269	96809942	125	140	96861613	96480018
	6	22	22	200LB	Siemens	42	55	200	96848917	96789269	96809942	125	140	96861613	96480018
	6	30	30	225M	Siemens	42	60	224	96848918	96789269	96809942	140	140	96861615	96480019
	6	-	37	250M	Siemens	42	65	224	96848919	96789269	96809942	160	140	96861617	96480040
	6	-	37	250S	MMG-G, EFF1 & EFF2	42	70	250	96848920	96789274	96809943	180	140	96861620	96796254
	6	-	45	280S	Siemens, MMG-E	42	75	250	96848921	96789274	96809943	180	140	96861623	96796254
6	-	45	250M	MMG-G, EFF1 & EFF2	42	70	250	96848920	96789274	96809943	180	140	96861620	96796254	

Pump type	Motor data				Shaft dia.		Grundfos standard coupling				Flender spacer coupling				
	Pole	Power [kW]		Frame size	Make	Pump	Motor	Coupling diameter	Coupling complete	Rubber	Bolts	Coupling diameter	Spacer length	Coupling complete	Rubber
		50 Hz	60 Hz												
125- 500	4	55	-	250M	Siemens, MMG-E	60	65	224	96848940	96789269	96809942	160	180	96861648	96480040
	4	55	-	250SC	MMG-G, EFF1 & EFF2	60	70	250	96848941	96789274	96809943	180	180	96861650	96796254
	4	75	-	280S	Siemens, MMG-E	60	75	250	96848942	96789274	96809943	180	180	96861651	96796254
	4	75	-	250MC	MMG-G, EFF1 & EFF2	60	70	250	96848941	96789274	96809943	180	180	96861650	96796254
	4	90	-	280M	Siemens, MMG-E	60	75	250	96848942	96789274	96809943	180	180	96861651	96796254
	4	90	-	280S	MMG-G, EFF1 & EFF2	60	80	250	96848943	96789274	96809943	200	180	96861653	96796255
	4	110	110	315S	Siemens, MMG-E	60	80	250	96848943	96789274	96809943	200	180	96861653	96796255
	4	110	110	280M	MMG-G, EFF1 & EFF2	60	80	250	96848943	96789274	96809943	200	180	96861653	96796255
	4	132	132	315M	Siemens, MMG-E	60	80	250	96848943	96789274	96809943	200	180	96861653	96796255
	4	132	132	315S	MMG-G, EFF1 & EFF2	60	85	250	96848944	96789274	96809943	225	180	96861654	96796259
	4	160	160	315M	Siemens, MMG-E	60	80	250	96848943	96789274	96809943	200	180	96861653	96796255
	4	160	160	315M	MMG-G, EFF1 & EFF2	60	85	250	96848944	96789274	96809943	225	180	96861654	96796259
	4	-	200	315L	Siemens, MMG-E	60	80	250	96848943	96789274	96809943	200	180	96861653	96796255
	4	-	200	315M	MMG-G, EFF1 & EFF2	60	85	250	96848944	96789274	96809943	225	180	96861654	96796259
	4	-	250	355M	MMG-E	60	95	250	96848945	96789274	96809943	225	180	96861656	96796259
	4	-	250	315C	MMG-G, EFF 1	60	95	250	96848945	96789274	96809943	225	180	96861656	96796259
	4	-	250	355M	MMG-G, EFF 2	60	95	250	96848945	96789274	96809943	225	180	96861656	96796259
	4	-	288	315L	Siemens	60	85	250	96848944	96789274	96809943	225	180	96861654	96796259
	4	-	315	355L	MMG-E	60	95	250	96848945	96789274	96809943	250	180	96861657	96796260
	4	-	315	315D	MMG-G, EFF 1	60	95	250	96848945	96789274	96809943	250	180	96861657	96796260
	4	-	315	355L	MMG-G, EFF 2	60	95	250	96848945	96789274	96809943	250	180	96861657	96796260
	4	-	362	315L	Siemens	60	85	250	96848944	96789274	96809943	250	180	96861655	96796260
	6	18.5	-	200LA	Siemens	60	55	200	96848938	96789269	96809942	140	180	96861646	96480019
	6	22	-	200LB	Siemens	60	55	200	96848938	96789269	96809942	140	180	96861646	96480019
	6	30	-	225M	Siemens	60	60	224	96848939	96789269	96809942	140	180	96861647	96480019
	6	37	37	250M	Siemens	60	65	224	96848940	96789269	96809942	160	180	96861648	96480040
	6	37	37	250S	MMG-G, EFF1 & EFF2	60	70	250	96848941	96789274	96809943	180	180	96861650	96796254
	6	45	45	280S	Siemens, MMG-E	60	75	250	96848942	96789274	96809943	180	180	96861651	96796254
	6	45	45	250M	MMG-G, EFF1 & EFF2	60	70	250	96848941	96789274	96809943	180	180	96861650	96796254
	6	55	55	280M	Siemens, MMG-E	60	75	250	96848942	96789274	96809943	180	180	96861651	96796254
6	55	55	280S	MMG-G, EFF1 & EFF2	60	80	250	96848943	96789274	96809943	200	180	96861653	96796255	
6	-	75	315S	Siemens, MMG-E	60	80	250	96848943	96789274	96809943	200	180	96861653	96796255	
6	-	75	280M	MMG-G, EFF1 & EFF2	60	80	250	96848943	96789274	96809943	200	180	96861653	96796255	
6	-	90	315M	Siemens, MMG-E	60	80	250	96848943	96789274	96809943	200	180	96861653	96796255	
6	-	90	315S	MMG-G, EFF1 & EFF2	60	85	250	96848944	96789274	96809943	225	180	96861654	96796259	

Pump type	Motor data				Shaft dia.		Grundfos standard coupling				Flender spacer coupling				
	Pole	Power [kW]		Frame size	Make	Pump [mm]	Motor [mm]	Coupling diameter [mm]	Coupling complete	Rubber	Bolts	Coupling diameter [mm]	Spacer length [mm]	Coupling complete	Rubber
		50 Hz	60 Hz												
150- 200	2	75	-	280S	All	32	65	224	96848910	96789269	96809942	160	140	96579806	96480040
	2	90	-	280M	All	32	65	224	96848910	96789269	96809942	160	140	96579806	96480040
	2	110	110	315S	All	32	65	224	96848910	96789269	96809942	160	140	96579806	96480040
	2	-	132	315M	All	32	65	224	96848910	96789269	96809942	160	140	96579806	96480040
	2	-	160	315L	All	32	65	224	96848910	96789269	96809942	160	140	96579806	96480040
	2	-	200	315L	All	32	65	224	96848910	96789269	96809942	160	140	96579806	96480040
	4	7.5	-	132M	All	32	38	160	96848905	96789247	96809941	95	140	96579800	96480016
	4	11	-	160M	All	32	42	180	96848906	96789247	96809941	95	140	96579802	96480016
	4	15	15	160L	All	32	42	180	96848906	96789247	96809941	95	140	96579802	96480016
	4	-	18.5	180M	All	32	48	200	96848907	96789269	96809942	110	140	96579803	96480017
	4	-	22	180L	All	32	48	200	96848907	96789269	96809942	110	140	96579803	96480017
	6	2.2	-	112M	All	32	28	140	96848904	96789247	96809940	80	140	96579788	96480015
	6	3	-	132SA	All	32	38	160	96848905	96789247	96809941	95	140	96579800	96480016
	6	4	4	132MA	All	32	38	160	96848905	96789247	96809941	95	140	96579800	96480016
	6	-	5.5	132MB	All	32	38	160	96848905	96789247	96809941	95	140	96579800	96480016
	150- 250	2	132	-	315M	All	42	65	224	96848919	96789269	96809942	160	140	96861617
2		160	-	315L	All	42	65	224	96848919	96789269	96809942	160	140	96861617	96480040
2		200	-	315L	All	42	65	224	96848919	96789269	96809942	180	140	96861618	96796254
2		250	-	315L	Siemens	42	65	224	96848919	96789269	96809942	180	140	96861618	96796254
2		250	-	355	MMG-E	42	75	250	96848921	96789274	96809943	180	140	96861623	96796254
2		250	-	315	MMG-G, EFF1	42	70	250	96848920	96789274	96809943	180	140	96861620	96796254
2		250	-	355	MMG-G, EFF2	42	75	250	96848921	96789274	96809943	180	140	96861623	96796254
4		15	-	160L	All	42	42	180	96848915	96789247	96809941	95	140	96861609	96480016
4		18.5	-	180M	All	42	48	200	96848916	96789269	96809942	110	140	96861611	96480017
4		22	-	180L	All	42	48	200	96848916	96789269	96809942	110	140	96861611	96480017
4		30	30	200L	All	42	55	200	96848917	96789269	96809942	125	140	96861613	96480018
4		37	37	225S	All	42	60	224	96848918	96789269	96809942	140	140	96861615	96480019
4		45	45	225M	All	42	60	224	96848918	96789269	96809942	140	140	96861615	96480019
4		-	55	250M	Siemens, MMG-E	42	65	224	96848919	96789269	96809942	160	140	96861617	96480040
4		-	55	250SC	MMG-G, EFF1 & EFF2	42	70	250	96848920	96789274	96809943	180	140	96861620	96796254
4		-	75	280S	Siemens, MMG-E	42	75	250	96848921	96789274	96809943	180	140	96861623	96796254
4	-	75	250MC	MMG-G, EFF1 & EFF2	42	70	250	96848920	96789274	96809943	180	140	96861620	96796254	
150- 315.1	6	5.5	-	132MB	All	42	38	160	96848914	96789247	96809941	95	140	96861607	96480016
	6	7.5	-	160M	All	42	42	180	96848915	96789247	96809941	95	140	96861609	96480016
	6	11	11	160L	All	42	42	180	96848915	96789247	96809941	95	140	96861609	96480016
	6	-	15	180L	All	42	48	200	96848916	96789269	96809942	110	140	96861611	96480017
	6	-	18.5	200LA	All	42	55	200	96848917	96789269	96809942	125	140	96861613	96480018
	6	-	22	180L	All	42	48	200	96848916	96789269	96809942	110	140	96861611	96480017
150- 315.2	2	200	-	315L	All	42	65	224	96848919	96789269	96809942	180	140	96861618	96796254
	2	160	-	315L	All	42	65	224	96848919	96789269	96809942	160	140	96861617	96480040
150- 315.2	2	200	-	315L	All	42	65	224	96848919	96789269	96809942	180	140	96861618	96796254
	2	160	-	315L	All	42	65	224	96848919	96789269	96809942	160	140	96861617	96480040

Pump type	Motor data				Shaft dia.		Grundfos standard coupling				Flender spacer coupling				
	Pole	Power [kW]		Frame size	Make	Pump [mm]	Motor [mm]	Coupling diameter [mm]	Coupling complete	Rubber	Bolts	Coupling diameter [mm]	Spacer length [mm]	Coupling complete	Rubber
		50 Hz	60 Hz												
150- 315	4	37	-	225S	All	42	60	224	96848918	96789269	96809942	140	140	96861615	96480019
	4	45	-	225M	All	42	60	224	96848918	96789269	96809942	140	140	96861615	96480019
	4	55	55	250M	Siemens, MMG-E	42	65	224	96848919	96789269	96809942	160	140	96861617	96480040
	4	55	55	250SC	MMG-G, EFF1 & EFF2	42	70	250	96848920	96789274	96809943	180	140	96861620	96796254
	4	75	75	280S	Siemens, MMG-E	42	75	250	96848921	96789274	96809943	180	140	96861623	96796254
	4	75	75	250MC	MMG-G, EFF1 & EFF2	42	70	250	96848920	96789274	96809943	180	140	96861620	96796254
	4	90	90	280M	Siemens, MMG-E	42	75	250	96848921	96789274	96809943	180	140	96861623	96796254
	4	90	90	280S	MMG-G, EFF1 & EFF2	42	80	250	96848922	96789274	96809943	200	140	96861626	96796255
	4	-	110	315S	Siemens, MMG-E	42	80	250	96848922	96789274	96809943	200	140	96861626	96796255
	4	-	110	280M	MMG-G, EFF1 & EFF2	42	80	250	96848922	96789274	96809943	200	140	96861626	96796255
	4	-	132	315M	Siemens, MMG-E	42	80	250	96848922	96789274	96809943	200	140	96861626	96796255
	4	-	132	315S	MMG-G, EFF1 & EFF2	42	85	250	96848923	96789274	96809943	200	140	96861628	96796255
150- 315. 1	4	-	75	280S	Siemens, MMG-E	42	75	250	96848921	96789274	96809943	180	140	96861623	96796254
	4	-	75	280S	MMG-G, EFF1 & EFF2	42	75	250	96848920	96789274	96809943	180	140	96861620	96796254
	4	-	55	250M	Siemens, MMG-E	42	65	224	96848919	96789269	96809942	160	140	96861617	96480040
	4	-	55	250M	MMG-G, EFF1 & EFF2	42	65	250	96848920	96789274	96809943	180	140	96861620	96796254
	4	45	45	225M	All	42	60	224	96848918	96789269	96809942	140	140	96861615	96480019
	4	37	37	225S	All	42	60	224	96848918	96789269	96809942	140	140	96861615	96480019
	4	30	30	200L	All	42	55	200	96848917	96789269	96809942	125	140	96861613	96480018
	4	22	-	180L	All	42	48	200	96848916	96789269	96809942	110	140	96861611	96480017
	4	18.5	-	180M	All	42	48	200	96848916	96789269	96809942	110	140	96861611	96480017
	4	-	75	280S	Siemens, MMG-E	42	75	250	96848921	96789274	96809943	180	140	96861623	96796254
	4	-	75	280S	MMG-G, EFF1 & EFF2	42	75	250	96848920	96789274	96809943	180	140	96861620	96796254
	4	-	55	250M	Siemens, MMG-E	42	65	224	96848919	96789269	96809942	160	140	96861617	96480040
150- 315. 2	4	-	55	250M	MMG-G, EFF1 & EFF2	42	65	250	96848920	96789274	96809943	180	140	96861620	96796254
	4	45	45	225M	All	42	60	224	96848918	96789269	96809942	140	140	96861615	96480019
	4	37	37	225S	All	42	60	224	96848918	96789269	96809942	140	140	96861615	96480019
	4	30	30	200L	All	42	55	200	96848917	96789269	96809942	125	140	96861613	96480018
	4	22	-	180L	All	42	48	200	96848916	96789269	96809942	110	140	96861611	96480017
	6	11	-	160L	All	42	42	180	96848915	96789247	96809941	95	140	96861609	96480016
	6	15	-	180L	All	42	48	200	96848916	96789269	96809942	110	140	96861611	96480017
	6	18.5	18.5	200LA	All	42	55	200	96848917	96789269	96809942	125	140	96861613	96480018
	6	22	22	200LB	All	42	55	200	96848917	96789269	96809942	125	140	96861613	96480018
	6	30	30	225M	All	42	60	224	96848918	96789269	96809942	140	140	96861615	96480019
	6	-	37	250M	Siemens	42	65	224	96848919	96789269	96809942	160	140	96861617	96480040
	6	-	37	250S	MMG-G, EFF1 & EFF2	42	70	250	96848920	96789274	96809943	180	140	96861620	96796254
150- 315. 1	6	-	22	200L	All	42	55	200	96848917	96789269	96809942	125	140	96861613	96480018
	6	-	18.5	200L	All	42	55	200	96848917	96789269	96809942	125	140	96861613	96480018
	6	15	15	180L	All	42	48	200	96848916	96789269	96809942	110	140	96861611	96480017
	6	11	11	160L	All	42	42	180	96848915	96789247	96809941	95	140	96861609	96480016
	6	7.5	7.5	160M	All	42	42	180	96848915	96789247	96809941	95	140	96861609	96480016
	6	5.5	-	132M	All	42	38	160	96848914	96789247	96809941	95	140	96861607	96480016

Pump type	Motor data				Shaft dia.		Grundfos standard coupling				Flender spacer coupling				
	Pole	Power [kW]		Frame size	Make	Pump [mm]	Motor [mm]	Coupling diameter [mm]	Coupling complete	Rubber	Bolts	Coupling diameter [mm]	Spacer length [mm]	Coupling complete	Rubber
		50 Hz	60 Hz												
150- 315. 2	6	-	18.5	200L	All	42	55	200	96848917	96789269	96809942	125	140	96861613	96480018
	6	15	15	180L	All	42	48	200	96848916	96789269	96809942	110	140	96861611	96480017
	6	11	11	160L	All	42	42	180	96848915	96789247	96809941	95	140	96861609	96480016
	6	7.5	7.5	160M	All	42	42	180	96848915	96789247	96809941	95	140	96861609	96480016
150- 400	4	55	-	250M	Siemens, MMG-E	42	65	224	96848919	96789269	96809942	160	140	96861617	96480040
	4	55	-	250SC	MMG-G, EFF1 & EFF2	42	70	250	96848920	96789274	96809943	180	140	96861620	96796254
	4	75	-	280S	Siemens, MMG-E	42	75	250	96848921	96789274	96809943	180	140	96861623	96796254
	4	75	-	250MC	MMG-G, EFF1 & EFF2	42	70	250	96848920	96789274	96809943	180	140	96861620	96796254
	4	90	90	280M	Siemens, MMG-E	42	75	250	96848921	96789274	96809943	180	140	96861623	96796254
	4	90	90	280S	MMG-G, EFF1 & EFF2	42	80	250	96848922	96789274	96809943	200	140	96861626	96796255
	4	110	110	315S	Siemens, MMG-E	42	80	250	96848922	96789274	96809943	200	140	96861626	96796255
	4	110	110	280M	MMG-G, EFF1 & EFF2	42	80	250	96848922	96789274	96809943	200	140	96861626	96796255
	4	132	0	315M	Siemens, MMG-E	48	80	250	96848933	96789274	96809943	200	180	96861640	96796255
	4	132	0	315S	MMG-G, EFF1 & EFF2	48	85	250	96848934	96789274	96809943	225	180	96861641	96796259
	4	0	132	315M	Siemens, MMG-E	42	80	250	96848922	96789274	96809943	200	140	96861626	96796255
	4	0	132	315S	MMG-G, EFF1 & EFF2	42	85	250	96848923	96789274	96809943	200	140	96861628	96796255
	4	160	0	315M	Siemens, MMG-E	48	80	250	96848933	96789274	96809943	200	180	96861640	96796255
	4	160	0	315M	MMG-G, EFF1 & EFF2	48	85	250	96848934	96789274	96809943	225	180	96861641	96796259
	4	0	160	315M	Siemens, MMG-E	42	80	250	96848922	96789274	96809943	200	140	96861626	96796255
	4	0	160	315M	MMG-G, EFF1 & EFF2	42	85	250	96848923	96789274	96809943	200	140	96861628	96796255
	4	-	200	315L	Siemens, MMG-E	48	80	250	96848933	96789274	96809943	200	180	96861640	96796255
	4	-	200	315M	MMG-G, EFF1 & EFF2	48	85	250	96848934	96789274	96809943	225	180	96861641	96796259
	4	-	250	355M	MMG-E	48	95	250	96848935	96789274	96809943	250	180	96861643	96796260
	4	-	250	315C	MMG-G, EFF 1	48	95	250	96848935	96789274	96809943	250	180	96861643	96796260
	4	-	250	355M	MMG-G, EFF 2	48	95	250	96848935	96789274	96809943	250	180	96861643	96796260
	4	-	288	315L	Siemens	48	85	250	96848934	96789274	96809943	225	180	96861641	96796259
	6	18.5	-	200LA	Siemens	42	55	200	96848917	96789269	96809942	125	140	96861613	96480018
	6	22	22	200LB	Siemens	42	55	200	96848917	96789269	96809942	125	140	96861613	96480018
6	30	30	225M	Siemens	42	60	224	96848918	96789269	96809942	140	140	96861615	96480019	
6	37	37	250M	Siemens	42	65	224	96848919	96789269	96809942	160	140	96861617	96480040	
6	37	37	250S	MMG-G, EFF1 & EFF2	42	70	250	96848920	96789274	96809943	180	140	96861620	96796254	
6	45	45	280S	Siemens, MMG-E	42	75	250	96848921	96789274	96809943	180	140	96861623	96796254	
6	45	45	250M	MMG-G, EFF1 & EFF2	42	70	250	96848920	96789274	96809943	180	140	96861620	96796254	
6	-	55	280M	Siemens, MMG-E	42	75	250	96848921	96789274	96809943	180	140	96861623	96796254	
6	-	55	280S	MMG-G, EFF1 & EFF2	42	80	250	96848922	96789274	96809943	200	140	96861626	96796255	
6	-	75	315S	Siemens, MMG-E	42	80	250	96848922	96789274	96809943	200	140	96861626	96796255	
6	-	75	280M	MMG-G, EFF1 & EFF2	42	80	250	96848922	96789274	96809943	200	140	96861626	96796255	

Pump type	Motor data				Shaft dia.		Grundfos standard coupling				Flender spacer coupling				
	Pole	Power [kW]		Frame size	Make	Pump	Motor	Coupling diameter	Coupling complete	Rubber	Bolts	Coupling diameter	Spacer length	Coupling complete	Rubber
		50 Hz	60 Hz												
150- 500	4	132	-	315M	Siemens, MMG-E	60	80	250	96848943	96789274	96809943	200	180	96861653	96796255
	4	132	-	315S	MMG-G, EFF1 & EFF2	60	85	250	96848944	96789274	96809943	225	180	96861654	96796259
	4	160	-	315M	Siemens, MMG-E	60	80	250	96848943	96789274	96809943	200	180	96861653	96796255
	4	160	-	315M	MMG-G, EFF1 & EFF2	60	85	250	96848944	96789274	96809943	225	180	96861654	96796259
	4	200	-	315L	Siemens, MMG-E	60	80	250	96848943	96789274	96809943	200	180	96861653	96796255
	4	200	-	315M	MMG-G, EFF1 & EFF2	60	85	250	96848944	96789274	96809943	225	180	96861654	96796259
	6	37	-	250M	Siemens	60	65	224	96848940	96789269	96809942	160	180	96861648	96480040
	6	37	-	250S	MMG-G, EFF1 & EFF2	60	70	250	96848941	96789274	96809943	180	180	96861650	96796254
	6	45	-	280S	Siemens, MMG-E	60	75	250	96848942	96789274	96809943	180	180	96861651	96796254
	6	45	-	250M	MMG-G, EFF1 & EFF2	60	70	250	96848941	96789274	96809943	180	180	96861650	96796254
	6	55	55	280M	Siemens, MMG-E	60	75	250	96848942	96789274	96809943	180	180	96861651	96796254
	6	55	55	280S	MMG-G, EFF1 & EFF2	60	80	250	96848943	96789274	96809943	200	180	96861653	96796255
	6	75	75	315S	Siemens, MMG-E	60	80	250	96848943	96789274	96809943	200	180	96861653	96796255
	6	75	75	280M	MMG-G, EFF1 & EFF2	60	80	250	96848943	96789274	96809943	200	180	96861653	96796255
	6	-	90	315M	Siemens, MMG-E	60	80	250	96848943	96789274	96809943	200	180	96861653	96796255
	6	-	90	315S	MMG-G, EFF1 & EFF2	60	85	250	96848944	96789274	96809943	225	180	96861654	96796259
	6	-	110	315M	Siemens	60	80	250	96848943	96789274	96809943	200	180	96861653	96796255
	6	-	110	315L	MMG-E	60	80	250	96848943	96789274	96809943	200	180	96861653	96796255
	6	-	110	315M	MMG-G, EFF1 & EFF2	60	85	250	96848944	96789274	96809943	225	180	96861654	96796259
	6	-	132	315L	Siemens, MMG-E	60	80	250	96848943	96789274	96809943	200	180	96861653	96796255
6	-	132	315M	MMG-G, EFF1 & EFF2	60	85	250	96848944	96789274	96809943	225	180	96861654	96796259	

Pump type	Motor data				Shaft dia.		Grundfos standard coupling				Flender spacer coupling				
	Pole	Power [kW]		Frame size	Make	Pump	Motor	Coupling diameter	Coupling complete	Rubber	Bolts	Coupling diameter	Spacer length	Coupling complete	Rubber
		50 Hz	60 Hz												
200- 400	4	37	-	225S	All	48	60	224	96848929	96789269	96809942	140	180	96861633	96480019
	4	45	-	225M	All	48	60	224	96848929	96789269	96809942	140	180	96861633	96480019
	4	55	55	250M	Siemens, MMG-E	48	65	224	96848930	96789269	96809942	160	180	96861634	96480040
	4	55	55	250SC	MMG-G, EFF1 & EFF2	48	70	250	96848931	96789274	96809943	180	180	96861636	96796254
	4	75	75	280S	Siemens, MMG-E	48	75	250	96848932	96789274	96809943	180	180	96861638	96796254
	4	75	75	250MC	MMG-G, EFF1 & EFF2	48	70	250	96848931	96789274	96809943	180	180	96861636	96796254
	4	90	90	280M	Siemens, MMG-E	48	75	250	96848932	96789274	96809943	180	180	96861638	96796254
	4	90	90	280S	MMG-G, EFF1 & EFF2	48	80	250	96848933	96789274	96809943	200	180	96861640	96796255
	4	110	110	315S	Siemens, MMG-E	48	80	250	96848933	96789274	96809943	200	180	96861640	96796255
	4	110	110	280M	MMG-G, EFF1 & EFF2	48	80	250	96848933	96789274	96809943	200	180	96861640	96796255
	4	132	132	315M	Siemens, MMG-E	48	80	250	96848933	96789274	96809943	200	180	96861640	96796255
	4	132	132	315S	MMG-G, EFF1 & EFF2	48	85	250	96848934	96789274	96809943	225	180	96861641	96796259
	4	-	160	315M	Siemens, MMG-E	48	80	250	96848933	96789274	96809943	200	180	96861640	96796255
	4	-	160	315M	MMG-G, EFF1 & EFF2	48	85	250	96848934	96789274	96809943	225	180	96861641	96796259
	4	-	200	315L	Siemens, MMG-E	48	80	250	96848933	96789274	96809943	200	180	96861640	96796255
	4	-	200	315M	MMG-G, EFF1 & EFF2	48	85	250	96848934	96789274	96809943	225	180	96861641	96796259
	6	15	-	180L	All	48	48	200	96848927	96789269	96809942	110	180	96861631	96480017
	6	18.5	-	200L	All	48	55	200	96848928	96789269	96809942	125	180	96861632	96480018
	6	22	22	200L	All	48	55	200	96848928	96789269	96809942	125	180	96861632	96480018
	6	30	30	225M	All	48	60	224	96848929	96789269	96809942	140	180	96861633	96480019
	6	37	37	250M	Siemens, MMG-E	48	65	224	96848930	96789269	96809942	160	180	96861634	96480040
	6	37	37	250S	MMG-G, EFF1 & EFF2	48	70	250	96848931	96789274	96809943	180	180	96861636	96796254
	6	-	45	280S	Siemens, MMG-E	48	75	250	96848932	96789274	96809943	180	180	96861638	96796254
	6	-	45	250M	MMG-G, EFF1 & EFF2	48	70	250	96848931	96789274	96809943	180	180	96861636	96796254
	6	-	55	280M	Siemens, MMG-E	48	75	250	96848932	96789274	96809943	180	180	96861638	96796254
	6	-	55	280S	MMG-G, EFF1 & EFF2	48	80	250	96848933	96789274	96809943	200	180	96861640	96796255

Pump type	Motor data				Shaft dia.		Grundfos standard coupling				Flender spacer coupling				
	Pole	Power [kW]		Frame size	Make	Pump	Motor	Coupling diameter	Coupling complete	Rubber	Bolts	Coupling diameter	Spacer length	Coupling complete	Rubber
		50 Hz	60 Hz												
200- 450	4	75	75	280S	Siemens, MMG-E	48	75	250	96848932	96789274	96809943	180	180	96861638	96796254
	4	75	75	250MC	MMG-G, EFF1 & EFF2	48	70	250	96848931	96789274	96809943	180	180	96861636	96796254
	4	90	90	280M	Siemens, MMG-E	48	75	250	96848932	96789274	96809943	180	180	96861638	96796254
	4	90	90	280S	MMG-G, EFF1 & EFF2	48	80	250	96848933	96789274	96809943	200	180	96861640	96796255
	4	110	110	315S	Siemens, MMG-E	48	80	250	96848933	96789274	96809943	200	180	96861640	96796255
	4	110	110	280M	MMG-G, EFF1 & EFF2	48	80	250	96848933	96789274	96809943	200	180	96861640	96796255
	4	132	132	315M	Siemens, MMG-E	48	80	250	96848933	96789274	96809943	200	180	96861640	96796255
	4	132	132	315S	MMG-G, EFF1 & EFF2	48	85	250	96848934	96789274	96809943	225	180	96861641	96796259
	4	160	160	315M	Siemens, MMG-E	48	80	250	96848933	96789274	96809943	200	180	96861640	96796255
	4	160	160	315M	MMG-G, EFF1 & EFF2	48	85	250	96848934	96789274	96809943	225	180	96861641	96796259
	4	-	200	315L	Siemens, MMG-E	48	80	250	96848933	96789274	96809943	200	180	96861640	96796255
	4	-	200	315M	MMG-G, EFF1 & EFF2	48	85	250	96848934	96789274	96809943	225	180	96861641	96796259
	4	-	288	315L	Siemens	48	85	250	96848934	96789274	96809943	225	180	96861641	96796259
	4	-	250	355M	MMG-E	48	95	250	96848935	96789274	96809943	250	180	96861643	96796260
	4	-	250	315C	MMG-G, EFF1	48	95	250	96848935	96789274	96809943	250	180	96861643	96796260
	4	-	250	355M	MMG-G, EFF2	48	95	250	96848935	96789274	96809943	250	180	96861643	96796260
	6	18.5	-	200L	All	48	55	200	96848928	96789269	96809942	125	180	96861632	96480018
	6	22	-	200L	All	48	55	200	96848928	96789269	96809942	125	180	96861632	96480018
	6	30	-	225M	All	48	60	224	96848929	96789269	96809942	140	180	96861633	96480019
	6	37	37	250M	Siemens, MMG-E	48	65	224	96848930	96789269	96809942	160	180	96861634	96480040
	6	37	37	250S	MMG-G, EFF1 & EFF2	48	70	250	96848931	96789274	96809943	180	180	96861636	96796254
	6	45	45	280S	Siemens, MMG-E	48	75	250	96848932	96789274	96809943	180	180	96861638	96796254
	6	45	45	250M	MMG-G, EFF1 & EFF2	48	70	250	96848931	96789274	96809943	180	180	96861636	96796254
	6	-	55	280M	Siemens, MMG-E	48	75	250	96848932	96789274	96809943	180	180	96861638	96796254
	6	-	55	280S	MMG-G, EFF1 & EFF2	48	80	250	96848933	96789274	96809943	200	180	96861640	96796255
	6	-	75	315S	Siemens, MMG-E	48	80	250	96848933	96789274	96809943	200	180	96861640	96796255
	6	-	75	280M	MMG-G, EFF1 & EFF2	48	80	250	96848933	96789274	96809943	200	180	96861640	96796255
6	-	90	315M	Siemens, MMG-E	48	80	250	96848933	96789274	96809943	200	180	96861640	96796255	
6	-	90	315S	MMG-G, EFF1 & EFF2	48	85	250	96848934	96789274	96809943	225	180	96861641	96796259	

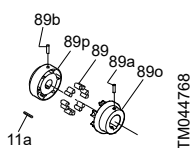
Pump type	Motor data				Shaft dia.		Grundfos standard coupling				Flender spacer coupling				
	Pole	Power [kW]		Frame size	Make	Pump	Motor	Coupling diameter	Coupling complete	Rubber	Bolts	Coupling diameter	Spacer length	Coupling complete	Rubber
		50 Hz	60 Hz												
250- 350	4	37	-	225S	All	48	60	224	96848929	96789269	96809942	140	180	96861633	96480019
	4	45	-	225M	All	48	60	224	96848929	96789269	96809942	140	180	96861633	96480019
	4	55	-	250M	Siemens, MMG-E	48	65	224	96848930	96789269	96809942	160	180	96861634	96480040
	4	55	-	250SC	MMG-G, EFF1 & EFF2	48	70	250	96848931	96789274	96809943	180	180	96861636	96796254
	4	75	75	280S	Siemens, MMG-E	48	75	250	96848932	96789274	96809943	180	180	96861638	96796254
	4	75	75	250MC	MMG-G, EFF1 & EFF2	48	70	250	96848931	96789274	96809943	180	180	96861636	96796254
	4	90	90	280M	Siemens, MMG-E	48	75	250	96848932	96789274	96809943	180	180	96861638	96796254
	4	90	90	280S	MMG-G, EFF1 & EFF2	48	80	250	96848933	96789274	96809943	200	180	96861640	96796255
	4	-	110	315S	Siemens, MMG-E	48	80	250	96848933	96789274	96809943	200	180	96861640	96796255
	4	-	110	280M	MMG-G, EFF1 & EFF2	48	80	250	96848933	96789274	96809943	200	180	96861640	96796255
	4	-	132	315M	Siemens, MMG-E	48	80	250	96848933	96789274	96809943	200	180	96861640	96796255
	4	-	132	315S	MMG-G, EFF1 & EFF2	48	85	250	96848934	96789274	96809943	225	180	96861641	96796259
	6	11	-	160L	All	48	42	0	0	0	0	0	180	0	0
	6	15	-	180L	All	48	48	200	96848927	96789269	96809942	110	180	96861631	96480017
	6	18.5	-	200L	All	48	55	200	96848928	96789269	96809942	125	180	96861632	96480018
	6	22	22	200L	All	48	55	200	96848928	96789269	96809942	125	180	96861632	96480018
	6	-	30	225M	All	48	60	224	96848929	96789269	96809942	140	180	96861633	96480019
	6	-	37	250M	Siemens, MMG-E	48	65	224	96848930	96789269	96809942	160	180	96861634	96480040
	6	-	37	250S	MMG-G, EFF1 & EFF2	48	70	250	96848931	96789274	96809943	180	180	96861636	96796254
	6	-	45	280S	Siemens, MMG-E	48	75	250	96848932	96789274	96809943	180	180	96861638	96796254
6	-	45	250M	MMG-G, EFF1 & EFF2	48	70	250	96848931	96789274	96809943	180	180	96861636	96796254	

Pump type	Motor data				Shaft dia.		Grundfos standard coupling				Flender spacer coupling				
	Pole	Power [kW]		Frame size	Make	Pump [mm]	Motor [mm]	Coupling diameter [mm]	Coupling complete	Rubber	Bolts	Coupling diameter [mm]	Spacer length [mm]	Coupling complete	Rubber
		50 Hz	60 Hz												
250- 400	4	45	-	225M	All	48	60	224	96848929	96789269	96809942	140	180	96861633	96480019
	4	55	-	250M	Siemens, MMG-E	48	65	224	96848930	96789269	96809942	160	180	96861634	96480040
	4	55	-	250SC	MMG-G, EFF1 & EFF2	48	70	250	96848931	96789274	96809943	180	180	96861636	96796254
	4	75	75	280S	Siemens, MMG-E	48	75	250	96848932	96789274	96809943	180	180	96861638	96796254
	4	75	75	250MC	MMG-G, EFF1 & EFF2	48	70	250	96848931	96789274	96809943	180	180	96861636	96796254
	4	90	90	280M	Siemens, MMG-E	48	75	250	96848932	96789274	96809943	180	180	96861638	96796254
	4	90	90	280S	MMG-G, EFF1 & EFF2	48	80	250	96848933	96789274	96809943	200	180	96861640	96796255
	4	110	110	315S	Siemens, MMG-E	48	80	250	96848933	96789274	96809943	200	180	96861640	96796255
	4	110	110	280M	MMG-G, EFF1 & EFF2	48	80	250	96848933	96789274	96809943	200	180	96861640	96796255
	4	132	132	315M	Siemens, MMG-E	48	80	250	96848933	96789274	96809943	200	180	96861640	96796255
	4	132	132	315S	MMG-G, EFF1 & EFF2	48	85	250	96848934	96789274	96809943	225	180	96861641	96796259
	4	160	160	315M	Siemens, MMG-E	48	80	250	96848933	96789274	96809943	200	180	96861640	96796255
	4	160	160	315M	MMG-G, EFF1 & EFF2	48	85	250	96848934	96789274	96809943	225	180	96861641	96796259
	4	-	200	315L	Siemens, MMG-E	48	80	250	96848933	96789274	96809943	200	180	96861640	96796255
	4	-	200	315M	MMG-G, EFF1 & EFF2	48	85	250	96848934	96789274	96809943	225	180	96861641	96796259
	4	-	288	315L	Siemens	48	85	250	96848934	96789274	96809943	225	180	96861641	96796259
	4	-	250	355M	MMG-E	48	95	250	96848935	96789274	96809943	250	180	96861643	96796260
	4	-	250	315C	MMG-G, EFF1	48	95	250	96848935	96789274	96809943	250	180	96861643	96796260
	4	-	250	355M	MMG-G, EFF2	48	95	250	96848935	96789274	96809943	250	180	96861643	96796260
	6	15	-	180L	All	48	48	200	96848927	96789269	96809942	110	180	96861631	96480017
	6	18.5	-	200L	All	48	55	200	96848928	96789269	96809942	125	180	96861632	96480018
	6	22	-	200L	All	48	55	200	96848928	96789269	96809942	125	180	96861632	96480018
	6	30	-	225M	All	48	60	224	96848929	96789269	96809942	140	180	96861633	96480019
	6	37	37	250M	Siemens, MMG-E	48	65	224	96848930	96789269	96809942	160	180	96861634	96480040
	6	37	37	250S	MMG-G, EFF1 & EFF2	48	70	250	96848931	96789274	96809943	180	180	96861636	96796254
6	45	45	280S	Siemens, MMG-E	48	75	250	96848932	96789274	96809943	180	180	96861638	96796254	
6	45	45	250M	MMG-G, EFF1 & EFF2	48	70	250	96848931	96789274	96809943	180	180	96861636	96796254	
6	-	55	280M	Siemens, MMG-E	48	75	250	96848932	96789274	96809943	180	180	96861638	96796254	
6	-	55	280S	MMG-G, EFF1 & EFF2	48	80	250	96848933	96789274	96809943	200	180	96861640	96796255	
6	-	75	315S	Siemens, MMG-E	48	80	250	96848933	96789274	96809943	200	180	96861640	96796255	
6	-	75	280M	MMG-G, EFF1 & EFF2	48	80	250	96848933	96789274	96809943	200	180	96861640	96796255	
6	-	90	315M	Siemens, MMG-E	48	80	250	96848933	96789274	96809943	200	180	96861640	96796255	
6	-	90	315S	MMG-G, EFF1 & EFF2	48	85	250	96848934	96789274	96809943	225	180	96861641	96796259	

Pump type	Motor data				Shaft dia.		Grundfos standard coupling				Flender spacer coupling				
	Pole	Power [kW]		Frame size	Make	Pump	Motor	Coupling diameter	Coupling complete	Rubber	Bolts	Coupling diameter	Spacer length	Coupling complete	Rubber
		50 Hz	60 Hz												
250- 450	4	75	-	280S	Siemens, MMG-E	60	75	250	96848942	96789274	96809943	180	180	96861651	96796254
	4	75	-	250M	MMG-G, EFF1 & EFF2	60	70	250	96848941	96789274	96809943	180	180	96861650	96796254
	4	90	-	280M	Siemens, MMG-E	60	75	250	96848942	96789274	96809943	180	180	96861651	96796254
	4	90	-	280S	MMG-G, EFF1 & EFF2	60	80	250	96848943	96789274	96809943	200	180	96861653	96796255
	4	110	110	315S	Siemens, MMG-E	60	80	250	96848943	96789274	96809943	200	180	96861653	96796255
	4	110	110	280M	MMG-G, EFF1 & EFF2	60	80	250	96848943	96789274	96809943	200	180	96861653	96796255
	4	132	132	315M	Siemens, MMG-E	60	80	250	96848943	96789274	96809943	200	180	96861653	96796255
	4	132	132	315S	MMG-G, EFF1 & EFF2	60	85	250	96848944	96789274	96809943	225	180	96861654	96796259
	4	160	160	315M	Siemens, MMG-E	60	80	250	96848943	96789274	96809943	200	180	96861653	96796255
	4	160	160	315M	MMG-G, EFF1 & EFF2	60	85	250	96848944	96789274	96809943	225	180	96861654	96796259
	4	200	200	315L	Siemens, MMG-E	60	80	250	96848943	96789274	96809943	200	180	96861653	96796255
	4	200	200	315M	MMG-G, EFF1 & EFF2	60	85	250	96848944	96789274	96809943	225	180	96861654	96796259
	4	-	288	315L	Siemens	60	85	250	96848944	96789274	96809943	225	180	96861654	96796259
	4	-	250	355M	MMG-E	60	95	250	96848945	96789274	96809943	250	180	96861657	96796260
	4	-	250	315C	MMG-G, EFF1	60	95	250	96848945	96789274	96809943	250	180	96861657	96796260
	4	-	250	355M	MMG-G, EFF2	60	95	250	96848945	96789274	96809943	250	180	96861657	96796260
	4	-	362	315L	Siemens	60	85	250	96848944	96789274	96809943	225	180	96861654	96796259
	4	-	315	355L	MMG-E	60	95	250	96848945	96789274	96809943	250	180	96861657	96796260
	4	-	315	315D	MMG-G, EFF1	60	95	250	96848945	96789274	96809943	250	180	96861657	96796260
	4	-	315	355L	MMG-G, EFF2	60	95	250	96848945	96789274	96809943	250	180	96861657	96796260
	6	18.5	-	200L	All	60	55	200	96848938	96789269	96809942	140	180	96861646	96480019
	6	22	-	200L	All	60	55	200	96848938	96789269	96809942	140	180	96861646	96480019
	6	30	-	225M	All	60	60	224	96848939	96789269	96809942	140	180	96861647	96480019
	6	37	37	250M	Siemens, MMG-E	60	65	224	96848940	96789269	96809942	160	180	96861648	96480040
	6	37	37	250S	MMG-G, EFF1 & EFF2	60	70	250	96848941	96789274	96809943	180	180	96861650	96796254
	6	45	45	280S	Siemens, MMG-E	60	75	250	96848942	96789274	96809943	180	180	96861651	96796254
	6	45	45	250M	MMG-G, EFF1 & EFF2	60	70	250	96848941	96789274	96809943	180	180	96861650	96796254
	6	55	55	280M	Siemens, MMG-E	60	75	250	96848942	96789274	96809943	180	180	96861651	96796254
	6	55	55	280S	MMG-G, EFF1 & EFF2	60	80	250	96848943	96789274	96809943	200	180	96861653	96796255
	6	-	75	315S	Siemens, MMG-E	60	80	250	96848943	96789274	96809943	200	180	96861653	96796255
6	-	75	280M	MMG-G, EFF1 & EFF2	60	80	250	96848943	96789274	96809943	200	180	96861653	96796255	
6	-	90	315M	Siemens, MMG-E	60	80	250	96848943	96789274	96809943	200	180	96861653	96796255	
6	-	90	315S	MMG-G, EFF1 & EFF2	60	85	250	96848944	96789274	96809943	225	180	96861654	96796259	
6	-	110	315M	Siemens	60	80	250	96848943	96789274	96809943	200	180	96861653	96796255	
6	-	110	315L	MMG-E	60	80	250	96848943	96789274	96809943	200	180	96861653	96796255	
6	-	110	315M	MMG-G, EFF1 & EFF2	60	85	250	96848944	96789274	96809943	225	180	96861654	96796259	

Pump type	Motor data				Shaft dia.		Grundfos standard coupling				Flender spacer coupling				
	Pole	Power [kW]		Frame size	Make	Pump	Motor	Coupling diameter	Coupling complete	Rubber	Bolts	Coupling diameter	Spacer length	Coupling complete	Rubber
		50 Hz	60 Hz												
250- 500	4	160	-	315M	Siemens, MMG-E	60	80	250	96848943	96789274	96809943	200	180	96861653	96796255
	4	160	-	315M	MMG-G, EFF1 & EFF2	60	85	250	96848944	96789274	96809943	225	180	96861654	96796259
	4	200	-	315L	Siemens, MMG-E	60	80	250	96848943	96789274	96809943	200	180	96861653	96796255
	4	200	-	315M	MMG-G, EFF1 & EFF2	60	85	250	96848944	96789274	96809943	225	180	96861654	96796259
	4	250	-	315L	Siemens	60	85	250	96848944	96789274	96809943	225	180	96861654	96796259
	4	250	-	355M	MMG-E	60	95	250	96848945	96789274	96809943	250	180	96861657	96796260
	4	250	-	315C	MMG-G, EFF1	60	95	250	96848945	96789274	96809943	250	180	96861657	96796260
	4	250	-	355M	MMG-G, EFF2	60	95	250	96848945	96789274	96809943	250	180	96861657	96796260
	4	315	-	315L	Siemens	60	85	250	96848944	96789274	96809943	225	180	96861654	96796259
	4	315	-	355L	MMG-E	60	95	250	96848945	96789274	96809943	250	180	96861657	96796260
	4	315	-	315D	MMG-G, EFF1	60	95	250	96848945	96789274	96809943	250	180	96861657	96796260
	4	315	-	355L	MMG-G, EFF2	60	95	250	96848945	96789274	96809943	250	180	96861657	96796260
	6	45	-	280S	Siemens, MMG-E	60	75	250	96848942	96789274	96809943	180	180	96861651	96796254
	6	45	-	250M	MMG-G, EFF1 & EFF2	60	70	250	96848941	96789274	96809943	180	180	96861650	96796254
	6	55	-	280M	Siemens, MMG-E	60	75	250	96848942	96789274	96809943	180	180	96861651	96796254
	6	55	-	280S	MMG-G, EFF1 & EFF2	60	80	250	96848943	96789274	96809943	200	180	96861653	96796255
	6	75	75	315S	Siemens, MMG-E	60	80	250	96848943	96789274	96809943	200	180	96861653	96796255
	6	75	75	280M	MMG-G, EFF1 & EFF2	60	80	250	96848943	96789274	96809943	200	180	96861653	96796255
	6	90	90	315M	Siemens, MMG-E	60	80	250	96848943	96789274	96809943	200	180	96861653	96796255
	6	90	90	315S	MMG-G, EFF1 & EFF2	60	85	250	96848943	96789274	96809943	200	180	96861653	96796255
	6	-	110	315M	Siemens	60	80	250	96848943	96789274	96809943	200	180	96861653	96796255
	6	-	110	315L	MMG-E	60	80	250	96848943	96789274	96809943	200	180	96861653	96796255
	6	-	110	315M	MMG-G, EFF1 & EFF2	60	85	250	96848944	96789274	96809943	225	180	96861654	96796259
	6	-	132	315L	Siemens, MMG-E	60	80	250	96848943	96789274	96809943	200	180	96861653	96796255
	6	-	132	315M	MMG-G, EFF1 & EFF2	60	85	250	96848944	96789274	96809943	225	180	96861654	96796259
	6	-	160	315L	Siemens	60	80	250	96848943	96789274	96809943	200	180	96861653	96796255
	6	-	160	355M	MMG-E	60	95	250	96848945	96789274	96809943	250	180	96861657	96796260
	6	-	160	315C	MMG-G, EFF1	60	95	250	96848945	96789274	96809943	250	180	96861657	96796260

Flender standard coupling



Flender standard coupling

Coupling complete Rubber

- 89a: 1 x set screw
- 89b: 1 x set screw
- 89: 1 set of rubber parts 89: 1 set of rubber parts
- 89o: 1 x male part
- 89b: 1 x female part
- 11a: 1 x key

Pump type	Motor data					Shaft diameter		Flender standard coupling	
	Pole	Power [kW]		Frame size	Make	Pump	Motor	Coupling complete	Rubber
		50 Hz	60 Hz			[mm]	[mm]		
32- 125	2	1.1	-	90S	All	24	24	96579617	96480015
	2	1.5	1.5	90S	All	24	24	96579617	96480015
	2	2.2	2.2	90L	All	24	24	96579617	96480015
	2	3	3	100L	All	24	28	96579619	96480015
	2	-	4	112M	All	24	28	96579619	96480015
	2	-	5.5	132S	All	24	38	96579659	96480016
	4	0.25	0.25	71A	All	24	14	96579610	96480015
	4	0.37	0.37	71B	All	24	14	96579610	96480015
	4	-	0.55	80A	All	24	19	96579613	96480015
	4	-	0.75	80B	All	24	19	96579613	96480015
32- 160	2	2.2	-	90L	All	24	24	96579617	96480015
	2	3	3	100L	All	24	28	96579619	96480015
	2	4	4	112M	All	24	28	96579619	96480015
	2	5.5	5.5	132S	All	24	38	96579659	96480016
	2	-	7.5	132S	All	24	38	96579659	96480016
	2	-	11	160M	All	24	42	96579680	96480016
	4	0.25	-	71A	All	24	14	96579610	96480015
	4	0.37	0.37	71B	All	24	14	96579610	96480015
	4	0.55	0.55	80A	All	24	19	96579613	96480015
	4	0.75	0.75	80B	All	24	19	96579613	96480015
32- 200	4	-	1.1	90S	All	24	24	96579617	96480015
	2	4	-	112M	All	24	28	96579619	96480015
	2	5.5	5.5	132S	All	24	38	96579659	96480016
	2	7.5	7.5	132S	All	24	38	96579659	96480016
	2	11	11	160M	All	24	42	96579680	96480016
	2	-	15	160M	All	24	42	96579680	96480016
	2	-	18.5	160L	All	24	42	96579680	96480016
	4	0.55	-	80A	All	24	19	96579613	96480015
	4	0.75	0.75	80B	All	24	19	96579613	96480015
	4	1.1	1.1	90S	All	24	24	96579617	96480015
	4	1.5	1.5	90L	All	24	24	96579617	96480015
	4	-	2.2	100L	All	24	28	96579619	96480015

Pump type	Motor data					Shaft diameter		Flender standard coupling	
	Pole	Power [kW]		Frame size	Make	Pump	Motor	Coupling complete	Rubber
		50 Hz	60 Hz			[mm]	[mm]		
32- 250	2	5.5	5.5	132S	All	24	38	-	-
	2	7.5	7.5	132S	All	24	38	-	-
	2	11	11	160M	All	24	42	-	-
	2	15	15	160M	All	24	42	-	-
	2	-	18.5	160L	All	24	42	-	-
	4	0.75	-	80B	All	24	19	-	-
	4	1.1	1.1	90S	All	24	24	-	-
	4	1.5	1.5	90L	All	24	24	-	-
	4	2.2	2.2	100L	All	24	28	-	-
32- 125.1	2	0.75	-	80A	All	24	19	96579613	96480015
	2	1.1	1.1	90S	All	24	24	96579617	96480015
	2	1.5	1.5	90S	All	24	24	96579617	96480015
	2	2.2	2.2	90L	All	24	24	96579617	96480015
	2	-	3	100L	All	24	28	96579619	96480015
	2	-	4	112M	All	24	28	96579619	96480015
	4	0.25	0.25	71A	All	24	14	96579610	96480015
	4	0.37	0.37	71B	All	24	14	96579610	96480015
	4	-	0.55	80A	All	24	19	96579613	96480015
32- 160.1	2	1.5	-	90S	All	24	24	96579617	96480015
	2	2.2	2.2	90L	All	24	24	96579617	96480015
	2	3	3	100L	All	24	28	96579619	96480015
	2	4	4	112M	All	24	28	96579619	96480015
	2	-	5.5	132S	All	24	38	96579659	96480016
	2	-	7.5	132S	All	24	38	96579659	96480016
	4	0.25	-	71A	All	24	14	96579610	96480015
	4	0.37	0.37	71B	All	24	14	96579610	96480015
	4	0.55	0.55	80A	All	24	19	96579613	96480015
32- 200.1	4	-	0.75	80B	All	24	19	96579613	96480015
	2	3	-	100L	All	24	28	96579619	96480015
	2	4	4	112M	All	24	28	96579619	96480015
	2	5.5	5.5	132S	All	24	38	96579659	96480016
	2	7.5	7.5	132S	All	24	38	96579659	96480016
	2	-	11	160M	All	24	42	96579680	96480016
	4	0.37	-	71B	All	24	14	96579610	96480015
	4	0.55	0.55	80A	All	24	19	96579613	96480015
	4	0.75	0.75	80B	All	24	19	96579613	96480015
40- 125	4	-	1.1	90S	All	24	24	96579617	96480015
	4	-	1.5	90L	All	24	24	96579617	96480015
	2	1.5	-	90S	All	24	24	96579617	96480015
	2	2.2	-	90L	All	24	24	96579617	96480015
	2	3	3	100L	All	24	28	96579619	96480015
	2	4	4	112M	All	24	28	96579619	96480015
	2	5.5	5.5	132S	All	24	38	96579659	96480016
	2	-	7.5	132S	All	24	38	96579659	96480016
	2	-	11	160M	All	24	42	96579680	96480016
40- 125	4	0.25	-	71A	All	24	14	96579610	96480015
	4	0.37	0.37	71B	All	24	14	96579610	96480015
	4	0.55	0.55	80A	All	24	19	96579613	96480015
	4	-	0.75	80B	All	24	19	96579613	96480015
	4	-	1.1	90S	All	24	24	96579617	96480015

Pump type	Motor data					Shaft diameter		Flender standard coupling	
	Pole	Power [kW]		Frame size	Make	Pump	Motor	Coupling complete	Rubber
		50 Hz	60 Hz			[mm]	[mm]		
40- 160	2	4	-	112M	All	24	28	96579619	96480015
	2	5.5	5.5	132S	All	24	38	96579659	96480016
	2	7.5	7.5	132S	All	24	38	96579659	96480016
	2	11	11	160M	All	24	42	96579680	96480016
	2	-	15	160M	All	24	42	96579680	96480016
	4	0.37	-	71B	All	24	14	96579610	96480015
	4	0.55	0.55	80A	All	24	19	96579613	96480015
	4	0.75	0.75	80B	All	24	19	96579613	96480015
	4	1.1	1.1	90S	All	24	24	96579617	96480015
	4	-	1.5	90L	All	24	24	96579617	96480015
40- 200	4	-	2.2	100L	All	24	28	96579619	96480015
	2	5.5	-	132S	All	24	38	96579659	96480016
	2	7.5	-	132S	All	24	38	96579659	96480016
	2	11	11	160M	All	24	42	96579680	96480016
	2	15	15	160M	All	24	42	96579680	96480016
	2	-	18.5	160L	All	24	42	96579680	96480016
	2	-	22	180M	All	24	48	96579682	96480017
	2	-	30	200L	All	24	55	96579683	96480018
	4	0.75	-	80B	All	24	19	96579613	96480015
	4	1.1	1.1	90S	All	24	24	96579617	96480015
40- 250	4	1.5	1.5	90L	All	24	24	96579617	96480015
	4	2.2	2.2	100L	All	24	28	96579619	96480015
	4	-	3	100L	All	24	28	96579619	96480015
	2	11	-	160M	All	24	42	96579680	96480016
	2	15	15	160M	All	24	42	96579680	96480016
	2	18.5	18.5	160L	All	24	42	96579680	96480016
	2	22	22	180M	All	24	48	96579682	96480017
	2	30	30	200L	All	24	55	96579683	96480018
	2	-	37	200L	All	24	55	96579683	96480018
	2	-	45	225M	All	24	55	96579683	96480018
40- 315	4	1.5	-	90L	All	24	24	96579617	96480015
	4	2.2	2.2	100L	All	24	28	96579619	96480015
	4	3	3	100L	All	24	28	96579619	96480015
	4	-	4	112M	All	24	28	96579619	96480015
	4	-	5.5	132S	All	24	38	96579659	96480016
	2	22	-	180M	All	32	48	-	-
	2	30	-	200L	All	32	55	-	-
	2	37	-	200L	All	32	55	-	-
	2	45	-	225M	All	32	55	-	-
	4	3	-	100L	All	32	28	-	-
40- 315	4	4	-	112M	All	32	28	-	-
	4	5.5	5.5	132S	All	32	38	-	-
	4	7.5	7.5	132S	All	32	38	-	-
	4	-	11	160M	All	32	42	-	-

Pump type	Motor data					Shaft diameter		Flender standard coupling		
	Pole	Power [kW]		Frame size	Make	Pump	Motor	Coupling complete	Rubber	
		50 Hz	60 Hz			[mm]	[mm]			
50- 125	2	3	-	100L	All	24	28	96579619	96480015	
	2	4	4	112M	All	24	28	96579619	96480015	
	2	5.5	5.5	132S	All	24	38	96579659	96480016	
	2	7.5	7.5	132S	All	24	38	96579659	96480016	
	2	-	11	160M	All	24	42	96579680	96480016	
	2	-	15	160M	All	24	42	96579680	96480016	
	4	0.37	-	71B	All	24	14	96579610	96480015	
	4	0.55	0.55	80A	All	24	19	96579613	96480015	
	4	0.75	0.75	80B	All	24	19	96579613	96480015	
	4	1.1	1.1	90S	All	24	24	96579617	96480015	
	4	-	1.5	90L	All	24	24	96579617	96480015	
	50- 160	2	5.5	-	132S	All	24	38	96579659	96480016
		2	7.5	7.5	132S	All	24	38	96579659	96480016
		2	11	11	160M	All	24	42	96579680	96480016
2		15	15	160M	All	24	42	96579680	96480016	
2		-	18.5	160L	All	24	42	96579680	96480016	
2		-	22	180M	All	24	48	96579682	96480017	
4		0.55	-	80A	All	24	19	96579613	96480015	
4		0.75	-	80B	All	24	19	96579613	96480015	
4		1.1	1.1	90S	All	24	24	96579617	96480015	
4		1.5	1.5	90L	All	24	24	96579617	96480015	
4		2.2	2.2	100L	All	24	28	96579619	96480015	
4		-	3	100L	All	24	28	96579619	96480015	
50- 200		2	11	-	160M	All	24	42	96579680	96480016
		2	15	15	160M	All	24	42	96579680	96480016
	2	18.5	18.5	160L	All	24	42	96579680	96480016	
	2	22	22	180M	All	24	48	96579682	96480017	
	2	-	30	200L	All	24	55	96579683	96480018	
	2	-	37	200L	All	24	55	96579683	96480018	
	2	-	45	225M	All	24	55	96579683	96480018	
	4	1.1	-	90S	All	24	24	96579617	96480015	
	4	1.5	-	90L	All	24	24	96579617	96480015	
	4	2.2	2.2	100L	All	24	28	96579619	96480015	
	4	3	3	100L	All	24	28	96579619	96480015	
	4	-	4	112M	All	24	28	96579619	96480015	
	4	-	5.5	132S	All	24	38	96579659	96480016	
	50- 250	2	15	-	160M	All	24	42	96579680	96480016
2		18.5	-	160L	All	24	42	96579680	96480016	
2		22	-	180M	All	24	48	96579682	96480017	
2		30	30	200L	All	24	55	96579683	96480018	
2		37	37	200L	All	24	55	96579683	96480018	
2		-	45	225M	All	24	55	96579683	96480018	
2		-	55	250M	All	24	60	96579684	96480019	
2		-	75	280S	All	24	65	96579687	96480040	
4		2.2	-	100L	All	24	28	96579619	96480015	
4		3	-	100L	All	24	28	96579619	96480015	
4		4	4	112M	All	24	28	96579619	96480015	
4		-	5.5	132S	All	24	38	96579659	96480016	
4		-	7.5	132M	All	24	38	96579659	96480016	

Pump type	Motor data					Shaft diameter		Flender standard coupling	
	Pole	Power [kW]		Frame size	Make	Pump	Motor	Coupling complete	Rubber
		50 Hz	60 Hz			[mm]	[mm]		
50- 315	2	30	-	200L	All	32	55	-	-
	2	37	-	200L	All	32	55	-	-
	2	45	-	225M	All	32	55	-	-
	2	55	-	250M	All	32	60	-	-
	4	4	-	112M	All	32	28	-	-
	4	5.5	5.5	132S	All	32	38	-	-
	4	7.5	7.5	132M	All	32	38	-	-
	4	11	11	160M	All	32	42	-	-
	4	-	15	160L	All	32	42	-	-
65- 125	2	4	-	112M	All	24	28	96579619	96480015
	2	5.5	-	132S	All	24	38	96579659	96480016
	2	7.5	7.5	132S	All	24	38	96579659	96480016
	2	11	11	160M	All	24	42	96579680	96480016
	2	-	15	160M	All	24	42	96579680	96480016
	2	-	18.5	160L	All	24	42	96579680	96480016
	4	0.55	-	80A	All	24	19	96579613	96480015
	4	0.75	-	80B	All	24	19	96579613	96480015
	4	1.1	1.1	90S	All	24	24	96579617	96480015
	4	-	1.5	90L	All	24	24	96579617	96480015
	4	-	2.2	100L	All	24	28	96579619	96480015
65- 160	2	7.5	-	132S	All	24	38	96579659	96480016
	2	11	11	160M	All	24	42	96579680	96480016
	2	15	15	160M	All	24	42	96579680	96480016
	2	18.5	18.5	160L	All	24	42	96579680	96480016
	2	-	22	180M	All	24	48	96579682	96480017
	2	-	30	200L	All	24	55	96579683	96480018
	4	0.75	-	80B	All	24	19	96579613	96480015
	4	1.1	-	90S	All	24	24	96579617	96480015
	4	1.5	1.5	90L	All	24	24	96579617	96480015
	4	2.2	2.2	100L	All	24	28	96579619	96480015
	4	-	3	100L	All	24	28	96579619	96480015
65- 200	4	-	4	112M	All	24	28	96579619	96480015
	2	11	-	160M	All	24	42	96579680	96480016
	2	15	-	160M	All	24	42	96579680	96480016
	2	18.5	18.5	160L	All	24	42	96579680	96480016
	2	22	22	180M	All	24	48	96579682	96480017
	2	30	30	200L	All	24	55	96579683	96480018
	2	37	37	200L	All	24	55	96579683	96480018
	2	-	45	225M	All	24	55	96579683	96480018
	2	-	55	250M	All	24	60	96579684	96480019
	4	1.5	-	90L	All	24	24	96579617	96480015
	4	2.2	-	100L	All	24	28	96579619	96480015
	4	3	3	100L	All	24	28	96579619	96480015
	4	4	4	112M	All	24	28	96579619	96480015
	4	-	5.5	132S	All	24	38	96579659	96480016
	4	-	7.5	132M	All	24	38	96579659	96480016

Pump type	Motor data					Shaft diameter		Flender standard coupling	
	Pole	Power [kW]	Frame size	Make	Pump	Motor	Coupling complete	Rubber	
	50 Hz	60 Hz			[mm]	[mm]			
65- 250	2	30	-	200L	All	32	55	96579711	96480018
	2	37	-	200L	All	32	55	96579711	96480018
	2	45	45	225M	All	32	55	96579711	96480018
	2	55	55	250M	All	32	60	96579714	96480019
	2	75	75	280S	All	32	65	96579716	96480040
	2	-	90	280M	All	32	65	96579716	96480040
	2	-	110	315S	All	32	65	96579716	96480040
	4	3	-	100L	All	32	28	96579704	96480015
	4	4	-	112M	All	32	28	96579704	96480015
	4	5.5	5.5	132S	All	32	38	96579706	96480016
	4	7.5	7.5	132M	All	32	38	96579706	96480016
	4	-	11	160M	All	32	42	96579707	96480016
	4	-	15	160L	All	32	42	96579707	96480016
	65- 315	2	55	-	250M	All	32	60	-
2		75	-	280S	All	32	65	-	-
2		90	-	280M	All	32	65	-	-
2		110	-	315S	All	32	65	-	-
4		5.5	-	132S	All	32	38	96579706	96480016
4		7.5	7.5	132M	All	32	38	96579706	96480016
4		11	11	160M	All	32	42	96579707	96480016
4		15	15	160L	All	32	42	96579707	96480016
4		-	18.5	180M	All	32	48	96579709	96480017
4		-	22	180L	All	32	48	96579709	96480017
80- 160	2	11	-	160M	All	24	42	96579680	96480016
	2	15	-	160M	All	24	42	96579680	96480016
	2	18.5	-	160L	All	24	42	96579680	96480016
	2	22	22	180M	All	24	48	96579682	96480017
	2	30	30	200L	All	24	55	96579683	96480018
	2	-	37	200L	All	24	55	96579683	96480018
	2	-	45	225M	All	24	55	96579683	96480018
	2	-	55	250M	All	24	60	96579684	96480019
	4	1.5	-	90L	All	24	24	96579617	96480015
	4	2.2	-	100L	All	24	28	96579619	96480015
	4	3	3	100L	All	24	28	96579619	96480015
	4	4	4	112M	All	24	28	96579619	96480015
	4	-	5.5	132S	All	24	38	96579659	96480016
	80- 200	2	22	-	180M	All	32	48	96579709
2		30	-	200L	All	32	55	96579711	96480018
2		37	37	200L	All	32	55	96579711	96480018
2		45	45	225M	All	32	55	96579711	96480018
2		55	55	250M	All	32	60	96579714	96480019
2		-	75	280S	All	32	65	96579716	96480040
2		-	90	280M	All	32	65	96579716	96480040
4		2.2	-	100L	All	32	28	96579704	96480015
4		3	-	100L	All	32	28	96579704	96480015
4		4	4	112M	All	32	28	96579704	96480015
4		5.5	5.5	132S	All	32	38	96579706	96480016
4		7.5	7.5	132M	All	32	38	96579706	96480016
4		-	11	160M	All	32	42	96579707	96480016

Pump type	Motor data					Shaft diameter		Flender standard coupling	
	Pole	Power [kW]	Frame size	Make	Pump	Motor	Coupling complete	Rubber	
	50 Hz	60 Hz			[mm]	[mm]			
80- 250	2	45	-	225M	All	32	55	96579711	96480018
	2	55	-	250M	All	32	60	96579714	96480019
	2	75	75	280S	All	32	65	96579716	96480040
	2	90	90	280M	All	32	65	96579716	96480040
	2	-	110	315S	All	32	65	96579716	96480040
	2	-	132	315M	All	32	65	96579716	96480040
	2	-	160	315L	All	32	65	96579716	96480040
	4	5.5	-	132S	All	32	38	96579706	96480016
	4	7.5	7.5	132M	All	32	38	96579706	96480016
	4	11	11	160M	All	32	42	96579707	96480016
	4	-	15	160L	All	32	42	96579707	96480016
	4	-	18.5	180M	All	32	48	96579709	96480017
	80- 315	2	90	-	280M	All	32	65	-
2		110	-	315S	All	32	65	-	-
2		132	-	315M	All	32	65	-	-
4		11	-	160M	All	32	42	96579707	96480016
4		15	-	160L	All	32	42	96579707	96480016
4		18.5	18.5	180M	All	32	48	96579709	96480017
4		22	22	180L	All	32	48	96579709	96480017
4		-	30	200L	All	32	55	96579711	96480018
4		-	37	225S	All	32	60	96579714	96480019
4		-	45	225M	All	32	60	96579714	96480019
80- 315 *	2	160	-	315L	All	42	65	-	-
	4	18.5	-	180M	All	42	48	-	-
80- 400	4	22	-	180L	All	42	48	-	-
	4	30	30	200L	All	42	55	-	-
	4	37	37	225S	All	42	60	-	-
	4	45	45	225M	All	42	60	-	-
	4	-	55	250M	Siemens, MMG-E	42	65	-	-
	4	-	55	250SC	MMG-G, EFF1 & EFF2	42	70	-	-
	4	-	75	280S	Siemens, MMG-E	42	75	-	-
	4	-	75	250MC	MMG-G, EFF1 & EFF2	42	70	-	-
	4	-	90	280M	Siemens, MMG-E	42	75	-	-
	4	-	90	280S	MMG-G, EFF1 & EFF2	42	80	-	-
100- 160	2	22	-	180M	All	24	48	-	-
	2	30	-	200L	All	24	55	-	-
	2	37	37	200L	All	24	55	-	-
	2	-	45	225M	All	24	55	-	-
	2	-	55	250M	All	24	60	-	-
	2	-	75	280S	All	24	65	-	-
	4	2.2	-	100L	All	24	28	-	-
	4	3	-	100L	All	24	28	-	-
	4	4	4	112M	All	24	28	-	-
	4	-	5.5	132S	All	24	38	-	-
	4	-	7.5	132M	All	24	38	-	-
	6	0.55	-	80B	All	24	19	-	-
	6	0.75	-	90S	All	24	24	-	-
	6	1.1	1.1	90L	All	24	24	-	-
	6	-	1.5	100L	All	24	28	-	-
6	-	2.2	112M	All	24	28	-	-	

Pump type	Motor data					Shaft diameter		Flender standard coupling		
	Pole	Power [kW]		Frame size	Make	Pump	Motor	Coupling complete	Rubber	
		50 Hz	60 Hz			[mm]	[mm]			
100- 200	2	30	-	200L	All	32	55	96579711	96480018	
	2	37	-	200L	All	32	55	96579711	96480018	
	2	45	-	225M	All	32	55	96579711	96480018	
	2	55	55	250M	All	32	60	96579714	96480019	
	2	75	75	280S	All	32	65	96579716	96480040	
	2	-	90	280M	All	32	65	96579716	96480040	
	2	-	110	315S	All	32	65	96579716	96480040	
	2	-	132	315M	All	32	65	96579716	96480040	
	4	4	-	112M	All	32	28	96579704	96480015	
	4	5.5	5.5	132S	All	32	38	96579706	96480016	
	4	7.5	7.5	132M	All	32	38	96579706	96480016	
	4	11	11	160M	All	32	42	96579707	96480016	
	4	-	15	160L	All	32	42	96579707	96480016	
	4	-	18.5	180M	All	32	48	96579709	96480017	
	6	1.1	-	90L	All	32	24	96579702	96480015	
	6	1.5	1.5	100L	All	32	28	96579704	96480015	
	6	2.2	2.2	112M	All	32	28	96579704	96480015	
	6	3	3	132SA	All	32	38	96579706	96480016	
	6	-	4	132MA	All	32	38	96579706	96480016	
	6	-	5.5	132MB	All	32	38	96579706	96480016	
	100- 250	2	55	-	250M	All	32	60	96579714	96480019
		2	75	-	280S	All	32	65	96579716	96480040
		2	90	-	280M	All	32	65	96579716	96480040
		2	110	110	315S	All	32	65	96579716	96480040
		2	132	132	315M	All	32	65	96579716	96480040
		2	-	160	315L	All	32	65	96579716	96480040
		2	-	200	315L	All	32	65	96579716	96480040
		2	-	280	315L	Siemens	32	65	96579716	96796255
2		-	250	355	MMG-E	32	75	-	-	
2		-	250	315	MMG-G, EFF1	32	70	-	-	
2		-	250	355	MMG-G, EFF2	32	75	-	-	
4		7.5	-	132M	All	32	38	96579706	96480016	
4		11	-	160M	All	32	42	96579707	96480016	
4		15	15	160L	All	32	42	96579707	96480016	
4		18.5	18.5	180M	All	32	48	96579709	96480017	
4		-	22	180L	All	32	48	96579709	96480017	
4		-	30	200L	All	32	55	96579711	96480018	
6		2.2	-	112M	All	32	28	96579704	96480015	
6		3	-	132SA	All	32	38	96579706	96480016	
6		4	4	132MA	All	32	38	96579706	96480016	
6		5.5	5.5	132MB	All	32	38	96579706	96480016	
6		-	7.5	160M	All	32	42	96579707	96480016	
6		-	11	160L	All	32	42	96579707	96480016	
100- 250 *		2	-	200	315L	All	42	65	-	-

Pump type	Motor data					Shaft diameter		Flender standard coupling	
	Pole	Power [kW]		Frame size	Make	Pump	Motor	Coupling complete	Rubber
		50 Hz	60 Hz			[mm]	[mm]		
100- 315	2	110	-	315S	All	32	65	-	-
	2	132	-	315M	All	32	65	-	-
	4	15	-	160L	All	32	42	96579707	96480016
	4	18.5	-	180M	All	32	48	96579709	96480017
	4	22	22	180L	All	32	48	96579709	96480017
	4	30	30	200L	All	32	55	96579711	96480018
	4	-	37	225S	All	32	60	96579714	96480019
	4	-	45	225M	All	32	60	96579714	96480019
	4	-	55	250M	Siemens, MMG-E	32	65	96579716	96480040
	4	-	55	250SC	MMG-G, EFF1 & EFF2	32	70	-	-
	6	4	-	132MA	All	32	38	96579706	96480016
	6	5.5	-	132MB	All	32	38	96579706	96480016
	6	7.5	7.5	160M	All	32	42	96579707	96480016
	6	11	11	160L	All	32	42	96579707	96480016
	6	-	15	180L	All	32	48	96579709	96480017
	100- 315 *	2	160	-	315L	All	42	65	-
2		200	-	315L	All	42	65	-	-
4		22	-	180L	All	42	48	-	-
4		30	-	200L	All	42	55	-	-
4		37	37	225S	All	42	60	-	-
4		45	45	225M	All	42	60	-	-
4		55	55	250M	Siemens, MMG-E	42	65	-	-
4		55	55	250SC	MMG-G, EFF1 & EFF2	42	70	-	-
4		-	75	280S	Siemens, MMG-E	42	75	-	-
100- 400		4	-	75	250MC	MMG-G, EFF1 & EFF2	42	70	-
	4	-	90	280M	Siemens, MMG-E	42	75	-	-
	4	-	90	280S	MMG-G, EFF1 & EFF2	42	80	-	-
	6	7.5	-	160M	All	42	42	-	-
	6	11	11	160L	All	42	42	-	-
	6	15	15	180L	All	42	48	-	-
	6	18.5	18.5	200LA	All	42	55	-	-
	6	-	22	200LB	All	42	55	-	-
	6	-	30	225M	All	42	60	-	-

Pump type	Motor data					Shaft diameter		Flender standard coupling	
	Pole	Power [kW]		Frame size	Make	Pump	Motor	Coupling complete	Rubber
		50 Hz	60 Hz			[mm]	[mm]		
125- 200	2	45	-	225M	All	32	55	-	-
	2	55	-	250M	All	32	60	-	-
	2	75	75	280S	All	32	65	-	-
	2	90	90	280M	All	32	65	-	-
	2	110	110	315S	All	32	65	-	-
	2	-	132	315M	All	32	65	-	-
	2	-	160	315L	All	32	65	-	-
	2	-	200	315L	All	32	65	-	-
	4	5.5	-	132S	All	32	38	-	-
	4	7.5	-	132M	All	32	38	-	-
	4	11	11	160M	All	32	42	-	-
	4	15	15	160L	All	32	42	-	-
	4	-	18.5	180M	All	32	48	-	-
	4	-	22	180L	All	32	48	-	-
	6	1.5	-	100L	All	32	28	-	-
	6	2.2	-	112M	All	32	28	-	-
	6	3	3	132SA	All	32	38	-	-
	6	4	4	132MA	All	32	38	-	-
	6	-	5.5	132MB	All	32	38	-	-
	6	-	7.5	160M	All	32	42	-	-
125- 250	4	11	-	160M	All	32	42	96579707	96480016
	4	15	-	160L	All	32	42	96579707	96480016
	4	18.5	18.5	180M	All	32	48	96579709	96480017
	4	22	22	180L	All	32	48	96579709	96480017
	4	30	30	200L	All	32	55	96579711	96480018
	4	-	37	225S	All	32	60	96579714	96480019
	4	-	45	225M	All	32	60	96579714	96480019
	6	3	-	132SA	All	32	38	96579706	96480016
	6	4	-	132MA	All	32	38	96579706	96480016
	6	5.5	5.5	132MB	All	32	38	96579706	96480016
6	7.5	7.5	160M	All	32	42	96579707	96480016	
6	-	11	160L	All	32	42	96579707	96480016	
6	-	15	180L	All	32	48	96579709	96480017	
125- 250 *	2	90	-	280M	All	42	65	-	-
	2	110	-	315S	All	42	65	-	-
	2	132	-	315M	All	42	65	-	-
	2	160	160	315L	All	42	65	-	-
	2	200	200	315L	All	42	65	-	-
	2	-	280	315L	Siemens	42	65	-	-
	2	-	250	355	MMG-E	42	75	-	-
	2	-	250	315	MMG-G, EFF1	42	70	-	-
	2	-	250	355	MMG-G, EFF2	42	75	-	-
	2	-	353	315L	Siemens	42	65	-	-
2	-	315	355	MMG-E	42	75	-	-	
2	-	315	315	MMG-G, EFF1	42	70	-	-	
2	-	315	355	MMG-G, EFF2	42	75	-	-	

Pump type	Motor data					Shaft diameter		Flender standard coupling		
	Pole	Power [kW]		Frame size	Make	Pump	Motor	Coupling complete	Rubber	
		50 Hz	60 Hz			[mm]	[mm]			
125- 315	2	132	-	315M	All	42	65	-	-	
	2	160	-	315L	All	42	65	-	-	
	2	200	-	315L	All	42	65	-	-	
	2	250	-	315L	Siemens	42	65	-	-	
	2	250	-	355	MMG-E	42	75	-	-	
	2	250	-	315	MMG-G, EFF1	42	70	-	-	
	2	250	-	355	MMG-G, EFF2	42	75	-	-	
	4	18.5	-	180M	All	42	48	-	-	
	4	22	-	180L	All	42	48	-	-	
	4	30	30	200L	All	42	55	-	-	
	4	37	37	225S	All	42	60	-	-	
	4	45	45	225M	All	42	60	-	-	
	4	-	55	250M	Siemens, MMG-E	42	65	-	-	
	4	-	55	250S	MMG-G, EFF1 & EFF2	42	70	-	-	
	4	-	75	280S	Siemens, MMG-E	42	75	-	-	
	4	-	75	250MC	MMG-G, EFF1 & EFF2	42	70	-	-	
	6	5.5	-	132MB	All	42	38	-	-	
	6	7.5	7.5	160M	All	42	42	-	-	
	6	11	11	160L	All	42	42	-	-	
	6	15	15	180L	All	42	48	-	-	
	6	-	18.5	200LA	All	42	55	-	-	
	6	-	22	200LB	All	42	55	-	-	
	125- 400	4	37	-	225S	All	42	60	-	-
		4	45	-	225M	All	42	60	-	-
		4	55	55	250M	Siemens, MMG-E	42	65	-	-
		4	55	55	250S	MMG-G, EFF1 & EFF2	42	70	-	-
		4	75	75	280S	Siemens, MMG-E	42	75	-	-
		4	75	75	250MC	MMG-G, EFF1 & EFF2	42	70	-	-
4		90	90	280M	Siemens, MMG-E	42	75	-	-	
4		90	90	280S	MMG-G, EFF1 & EFF2	42	80	-	-	
4		-	110	315S	Siemens, MMG-E	42	80	-	-	
4		-	110	280M	MMG-G, EFF1 & EFF2	42	80	-	-	
4		-	132	315M	Siemens, MMG-E	42	80	-	-	
4		-	132	315S	MMG-G, EFF1 & EFF2	42	85	-	-	
6		11	-	160L	All	42	42	-	-	
6		15	-	180L	All	42	48	-	-	
6		18.5	18.5	200LA	Siemens	42	55	-	-	
6		22	22	200LB	Siemens	42	55	-	-	
6		30	30	225M	Siemens	42	60	-	-	
6		-	37	250M	Siemens	42	65	-	-	
6		-	37	250S	MMG-G, EFF1 & EFF2	42	70	-	-	
6		-	45	280S	Siemens, MMG-E	42	75	-	-	
6	-	45	250M	MMG-G, EFF1 & EFF2	42	70	-	-		

Pump type	Motor data					Shaft diameter		Flender standard coupling	
	Pole	Power [kW]		Frame size	Make	Pump	Motor	Coupling complete	Rubber
		50 Hz	60 Hz			[mm]	[mm]		
125- 500	4	55	-	250M	Siemens, MMG-E	60	65	-	-
	4	55	-	250SC	MMG-G, EFF1 & EFF2	60	70	-	-
	4	75	-	280S	Siemens, MMG-E	60	75	-	-
	4	75	-	250MC	MMG-G, EFF1 & EFF2	60	70	-	-
	4	90	-	280M	Siemens, MMG-E	60	75	-	-
	4	90	-	280S	MMG-G, EFF1 & EFF2	60	80	-	-
	4	110	110	315S	Siemens, MMG-E	60	80	-	-
	4	110	110	280M	MMG-G, EFF1 & EFF2	60	80	-	-
	4	132	132	315M	Siemens, MMG-E	60	80	-	-
	4	132	132	315S	MMG-G, EFF1 & EFF2	60	85	-	-
	4	160	160	315M	Siemens, MMG-E	60	80	-	-
	4	160	160	315M	MMG-G, EFF1 & EFF2	60	85	-	-
	4	-	200	315L	Siemens, MMG-E	60	80	-	-
	4	-	200	315M	MMG-G, EFF1 & EFF2	60	85	-	-
	4	-	250	355M	MMG-E	60	95	-	-
	4	-	250	315C	MMG-G, EFF 1	60	95	-	-
	4	-	250	355M	MMG-G, EFF 2	60	95	-	-
	4	-	288	315L	Siemens	60	85	-	-
	4	-	315	355L	MMG-E	60	95	-	-
	4	-	315	315D	MMG-G, EFF 1	60	95	-	-
	4	-	315	355L	MMG-G, EFF 2	60	95	-	-
	4	-	362	315L	Siemens	60	85	-	-
	6	18.5	-	200LA	Siemens	60	55	-	-
	6	22	-	200LB	Siemens	60	55	-	-
	6	30	-	225M	Siemens	60	60	-	-
	6	37	37	250M	Siemens	60	65	-	-
	6	37	37	250S	MMG-G, EFF1 & EFF2	60	70	-	-
	6	45	45	280S	Siemens, MMG-E	60	75	-	-
	6	45	45	250M	MMG-G, EFF1 & EFF2	60	70	-	-
	6	55	55	280M	Siemens, MMG-E	60	75	-	-
6	55	55	280S	MMG-G, EFF1 & EFF2	60	80	-	-	
6	-	75	315S	Siemens, MMG-E	60	80	-	-	
6	-	75	280M	MMG-G, EFF1 & EFF2	60	80	-	-	
6	-	90	315M	Siemens, MMG-E	60	80	-	-	
6	-	90	315S	MMG-G, EFF1 & EFF2	60	85	-	-	

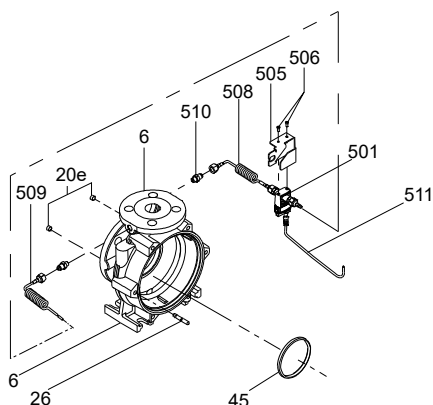
Pump type	Motor data					Shaft diameter		Flender standard coupling		
	Pole	Power [kW]		Frame size	Make	Pump	Motor	Coupling complete	Rubber	
		50 Hz	60 Hz			[mm]	[mm]			
150- 200	2	75	-	280S	All	32	65	96579716	96480040	
	2	90	-	280M	All	32	65	96579716	96480040	
	2	110	110	315S	All	32	65	96579716	96480040	
	2	-	132	315M	All	32	65	96579716	96480040	
	2	-	160	315L	All	32	65	96579716	96480040	
	2	-	200	315L	All	32	65	96579716	96480040	
	4	7.5	-	132M	All	32	38	96579706	96480016	
	4	11	-	160M	All	32	42	96579707	96480016	
	4	15	15	160L	All	32	42	96579707	96480016	
	4	-	18.5	180M	All	32	48	96579709	96480017	
	4	-	22	180L	All	32	48	96579709	96480017	
	6	2.2	-	112M	All	32	28	96579704	96480015	
	6	3	-	132SA	All	32	38	96579706	96480016	
	6	4	4	132MA	All	32	38	96579706	96480016	
	6	-	5.5	132MB	All	32	38	96579706	96480016	
	6	-	7.5	160M	All	32	42	96579707	96480016	
	150- 250	2	132	-	315M	All	42	65	-	-
		2	160	-	315L	All	42	65	-	-
2		200	-	315L	All	42	65	-	-	
2		250	-	315L	Siemens	42	65	-	-	
2		250	-	355	MMG-E	42	75	-	-	
2		250	-	315	MMG-G, EFF1	42	70	-	-	
2		250	-	355	MMG-G, EFF2	42	75	-	-	
4		15	-	160L	All	42	42	-	-	
4		18.5	-	180M	All	42	48	-	-	
4		22	-	180L	All	42	48	-	-	
4		30	30	200L	All	42	55	-	-	
4		37	37	225S	All	42	60	-	-	
4		45	45	225M	All	42	60	-	-	
4		-	55	250M	Siemens, MMG-E	42	65	-	-	
4		-	55	250SC	MMG-G, EFF1 & EFF2	42	70	-	-	
4		-	75	280S	Siemens, MMG-E	42	75	-	-	
4		-	75	250MC	MMG-G, EFF1 & EFF2	42	70	-	-	
6		5.5	-	132MB	All	42	38	-	-	
6	7.5	-	160M	All	42	42	-	-		
6	11	11	160L	All	42	42	-	-		
6	-	15	180L	All	42	48	-	-		
6	-	18.5	200LA	All	42	55	-	-		

Pump type	Motor data					Shaft diameter		Flender standard coupling	
	Pole	Power [kW]		Frame size	Make	Pump	Motor	Coupling complete	Rubber
		50 Hz	60 Hz			[mm]	[mm]		
150- 315	4	37	-	225S	All	42	60	-	-
	4	45	-	225M	All	42	60	-	-
	4	55	55	250M	Siemens, MMG-E	42	65	-	-
	4	55	55	250SC	MMG-G, EFF1 & EFF2	42	70	-	-
	4	75	75	280S	Siemens, MMG-E	42	75	-	-
	4	75	75	250MC	MMG-G, EFF1 & EFF2	42	70	-	-
	4	90	90	280M	Siemens, MMG-E	42	75	-	-
	4	90	90	280S	MMG-G, EFF1 & EFF2	42	80	-	-
	4	-	110	315S	Siemens, MMG-E	42	80	-	-
	4	-	110	280M	MMG-G, EFF1 & EFF2	42	80	-	-
	4	-	132	315M	Siemens, MMG-E	42	80	-	-
	4	-	132	315S	MMG-G, EFF1 & EFF2	42	85	-	-
	6	11	-	160L	All	42	42	-	-
	6	15	-	180L	All	42	48	-	-
	6	18.5	18.5	200LA	Siemens	42	55	-	-
	6	22	22	200LB	Siemens	42	55	-	-
	6	30	30	225M	Siemens	42	60	-	-
	6	-	37	250M	Siemens	42	65	-	-
	6	-	37	250S	MMG-G, EFF1 & EFF2	42	70	-	-

Pump type	Motor data					Shaft diameter		Flender standard coupling	
	Pole	Power [kW]		Frame size	Make	Pump	Motor	Coupling complete	Rubber
		50 Hz	60 Hz			[mm]	[mm]		
150- 400	4	55	-	250M	Siemens, MMG-E	42	65	-	-
	4	55	-	250SC	MMG-G, EFF1 & EFF2	42	70	-	-
	4	75	-	280S	Siemens, MMG-E	42	75	-	-
	4	75	-	250MC	MMG-G, EFF1 & EFF2	42	70	-	-
	4	90	90	280M	Siemens, MMG-E	42	75	-	-
	4	90	90	280S	MMG-G, EFF1 & EFF2	42	80	-	-
	4	110	110	315S	Siemens, MMG-E	42	80	-	-
	4	110	110	280M	MMG-G, EFF1 & EFF2	42	80	-	-
	4	132		315M	Siemens, MMG-E	48	80	-	-
	4	132		315S	MMG-G, EFF1 & EFF2	48	85	-	-
	4		132	315M	Siemens, MMG-E	42	80	-	-
	4		132	315S	MMG-G, EFF1 & EFF2	42	85	-	-
	4	160		315M	Siemens, MMG-E	48	80	-	-
	4	160		315M	MMG-G, EFF1 & EFF2	48	85	-	-
	4		160	315M	Siemens, MMG-E	42	80	-	-
	4		160	315M	MMG-G, EFF1 & EFF2	42	85	-	-
	4	-	200	315L	Siemens, MMG-E	48	80	-	-
	4	-	200	315M	MMG-G, EFF1 & EFF2	48	85	-	-
	4	-	250	355M	MMG-E	48	95	-	-
	4	-	250	315C	MMG-G, EFF 1	48	95	-	-
	4	-	250	355M	MMG-G, EFF 2	48	95	-	-
	4	-	288	315L	Siemens	48	85	-	-
	6	18.5	-	200LA	Siemens	42	55	-	-
	6	22	22	200LB	Siemens	42	55	-	-
	6	30	30	225M	Siemens	42	60	-	-
	6	37	37	250M	Siemens	42	65	-	-
	6	37	37	250S	MMG-G, EFF1 & EFF2	42	70	-	-
	6	45	45	280S	Siemens, MMG-E	42	75	-	-
	6	45	45	250M	MMG-G, EFF1 & EFF2	42	70	-	-
	6	-	55	280M	Siemens, MMG-E	42	75	-	-
6	-	55	280S	MMG-G, EFF1 & EFF2	42	80	-	-	
6	-	75	315S	Siemens, MMG-E	42	80	-	-	
6	-	75	280M	MMG-G, EFF1 & EFF2	42	80	-	-	

Pump type	Motor data					Shaft diameter		Flender standard coupling	
	Pole	Power [kW]		Frame size	Make	Pump	Motor	Coupling complete	Rubber
		50 Hz	60 Hz			[mm]	[mm]		
150- 500	4	132	-	315M	Siemens, MMG-E	60	80	-	-
	4	132	-	315S	MMG-G, EFF1 & EFF2	60	85	-	-
	4	160	-	315M	Siemens, MMG-E	60	80	-	-
	4	160	-	315M	MMG-G, EFF1 & EFF2	60	85	-	-
	4	200	-	315L	Siemens, MMG-E	60	80	-	-
	4	200	-	315M	MMG-G, EFF1 & EFF2	60	85	-	-
	6	37	-	250M	Siemens	60	65	-	-
	6	37	-	250S	MMG-G, EFF1 & EFF2	60	70	-	-
	6	45	-	280S	Siemens, MMG-E	60	75	-	-
	6	45	-	250M	MMG-G, EFF1 & EFF2	60	70	-	-
	6	55	55	280M	Siemens, MMG-E	60	75	-	-
	6	55	55	280S	MMG-G, EFF1 & EFF2	60	80	-	-
	6	75	75	315S	Siemens, MMG-E	60	80	-	-
	6	75	75	280M	MMG-G, EFF1 & EFF2	60	80	-	-
	6	-	90	315M	Siemens, MMG-E	60	80	-	-
	6	-	90	315S	MMG-G, EFF1 & EFF2	60	85	-	-
	6	-	110	315M	Siemens	60	80	-	-
	6	-	110	315L	MMG-E	60	80	-	-
	6	-	110	315M	MMG-G, EFF1 & EFF2	60	85	-	-
	6	-	132	315L	Siemens, MMG-E	60	80	-	-
6	-	132	315M	MMG-G, EFF1 & EFF2	60	85	-	-	

Sensor for NKE Series 2000



TM073633

Kit, pump housing

- 6: 1 x pump housing
- 20: hexagon socket head plug (can be 2/3/4 pcs)
- 26: staybolt (can be 6/8/12 pcs)
- 45: 1 x wear ring

Kit, differential-pressure sensor

- 501: 1 x sensor
- 506: 2 x screw
- 511: 1 x cable (including connector to sensor)

Kit, sensor bracket

- 505: 1 x sensor bracket

Kit, capillary tube

- 508: 1 x capillary tube
- 509: 1 x capillary tube
- 510: 1 x adapter plug

Kit, cable

- 511: 1 x cable (including connector to sensor)

Kit, pump housing

Pump type	Pump housing		
	With feet	Without feet	
32-	125.1	99563387	-
	125	99563388	-
	160.1	99563385	-
	160	99563386	-
	200.1	99563383	-
	200	99563384	-
	250	99492504	-
40-	125	99563382	-
	160	99563381	-
	200	99563379	99563380
	250	99563377	99563378
	315	99492511	-
50-	125	99563376	-
	160	99563374	99563375
	200	99563372	99563373
	250	99563370	99563371
	315	99492519	-
65-	125	99563366	-
	160	99563364	99563365
	200	99563362	99563363
80-	250	99563359	-
	315	99563358	-
	160	99563340	99563341
100-	200	99563339	-
	250	99563338	-
125-	160	99492535	-
	200	99492537	-
150-	125- 200	99492538	-
	200	99563389	-

Kit, differential-pressure sensor

0-4 bar	0-6 bar	0-10 bar
99562724	99562725	99562726

Kit, bracket for sensor

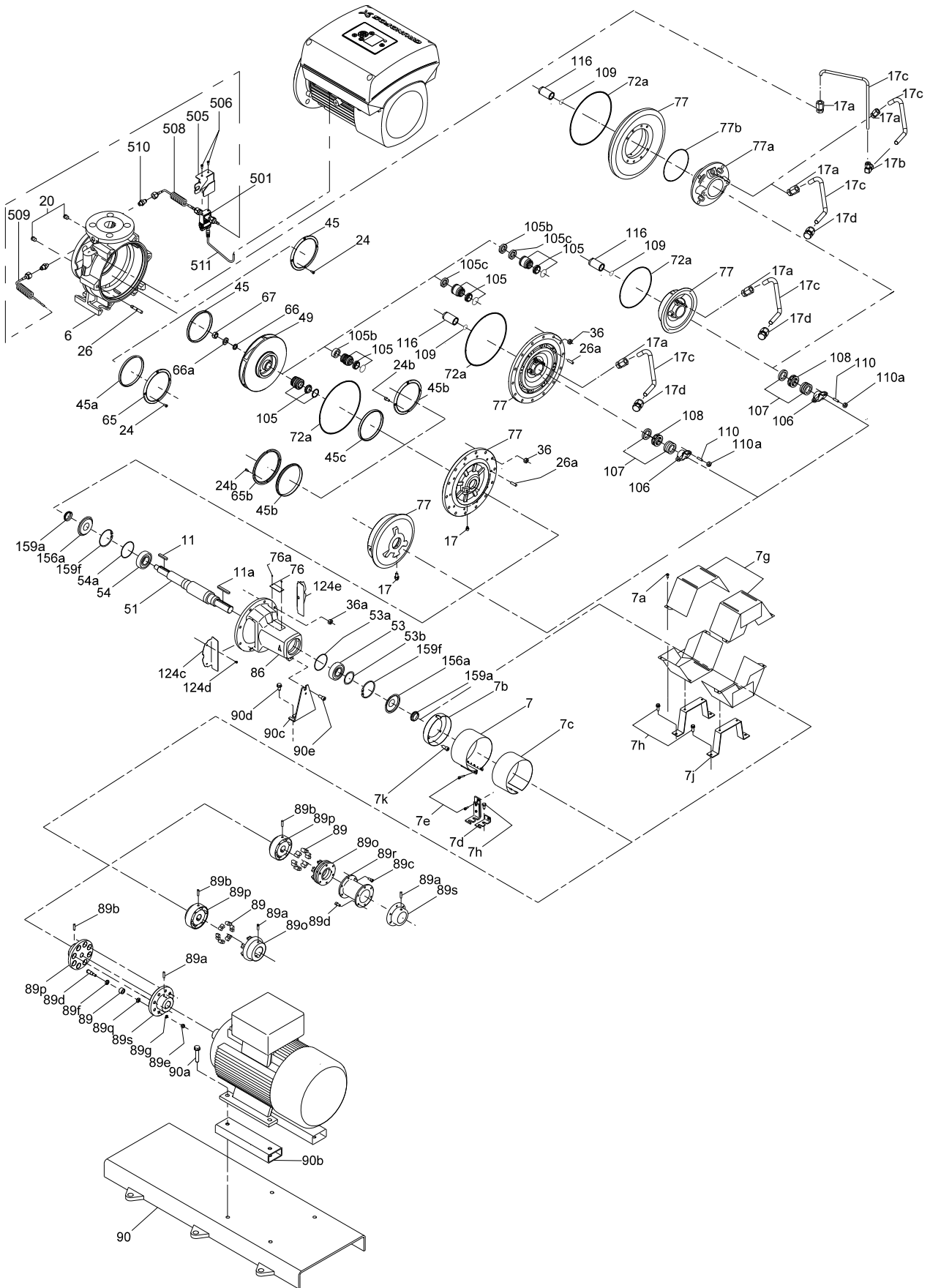
99562727

Kit, capillary tube

99184237

Kit, cable

99562728



TM034895

Exploded view