

12. CP

CP 2

50/60 Hz, All models

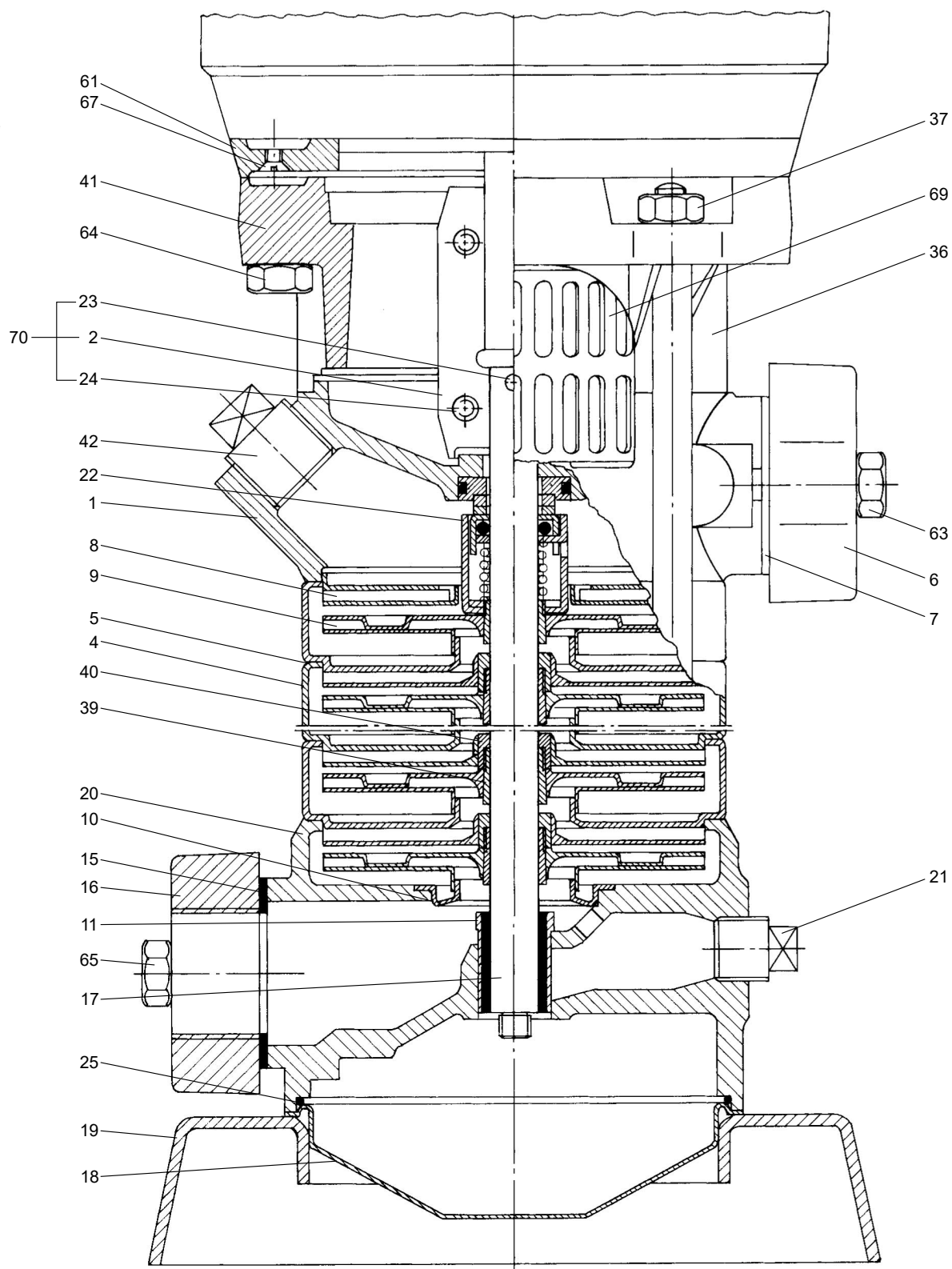
Shaft seal

		CP 2N
Pos.	Kit No	985140
	Description	Crane
5	Chamber gaskets	2
7	Flange gasket	-
7	Flange gasket K	-
8	Guide vane	1
22	Shaft seal	1
25	Base gasket	-
39	Split cone	1
40	Cone nut	1

Wear parts

		CP 2, CP 2K	CP 2	CP 2K	CP 2N	
Pos.	Kit No	305062	305063	305064	305085	305086
	Number of stages	2-7	10-20	10-20	2-7	10-20
	Description					
4	Bearing	-	-	-	-	2
5	Chamber gasket	10	20	20	8	23
7	Flange gasket	2	2	2	-	-
10	Bottom neck ring	1	1	1	-	-
11	Bottom bearing	-	-	1	1	1
11	Bottom bearing bronze	1	1	-	-	-
25	Base gasket	1	1	1	1	1
39	Split cone	7	20	20	7	20
40	Cone nut	6	19	19	6	19

CP 2



TM014268

CP 3**50/60 Hz, Model B****Shaft seal**

Pump type		GZ, GRZ				
Pos.	Kit No	985285	96549650	96549651	96549652	96549653
	Description		BAQE	BAQV	BQQE	BQQV
22	Shaft seal	1	1	1	1	1
28	Base gasket	-	2	2	2	2
40	Split cone nut	-	1	1	1	1
65	Chamber gaskets	-	1	1	1	1

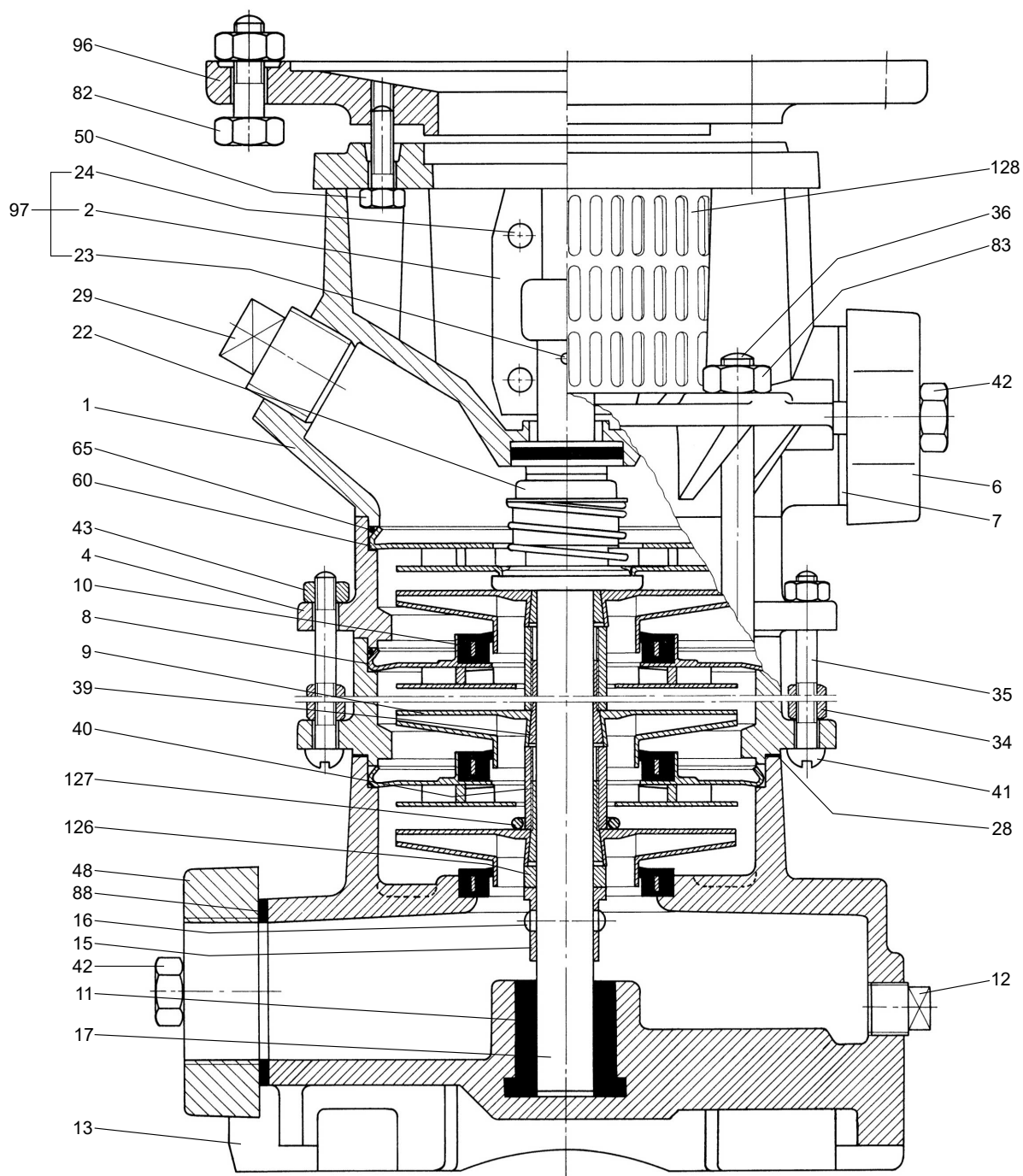
Wear parts

Pump type		CP 3R, cold water			CP 3KR, hot water	
Pos.	Kit No	315413	315414	315415	315422	315423
	Number of stages	1-6	8-12	14-24	8-12	14-20
	Description					
10	Rubber neck ring	6	12	24	-	-
10	Bronze neck ring	-	-	-	12	20
11	Rubber bottom bearing	1	1	-	-	-
11	Carbide bottom bearing	-	-	1	1	1
11	Bronze bottom bearing	-	-	-	-	-
28	Base gasket	1	1	1	1	1
39	Split cone	6	12	24	12	20
40	Split cone nut	5	11	23	11	19
65	Chamber gasket	5	11	23	11	19
88	Flange gasket	2	2	2	-	-
88	Flange gasket K	-	-	-	2	2
126	Spacer	1	1	1	1	1
127	Spacer	1	1	1	1	1

Coupling complete

Kit No		96587585	96587588	96587589	96587603	329038
Pos.	Motor/pump shaft diameter x L [mm]	14/16 x 63	19/16 x 63	24/16 x 68	28/16 x 73.5	38/16 x 90
	Description					
2	Coupling half	2	2	2	2	2
24	Torx screw	4	4	4	4	4
23	Pin	1	1	1	1	1

CP 3



TM014269

CP 8**Coupling complete**

Pos.	Kit No	50/60 Hz				50 Hz	60 Hz	CP(E) 8H 50 Hz
		96587585	96587588	96587589	96587603	329138	329038	329128
	Motor/pump shaft diameter x L [mm]	14/16 x 63	19/16 x 63	24/16 x 68	28/16 x 73.5	38/16 x 90	38/16 x 90	19/16 x 77.5
	Description							
2	Coupling half	2	2	2	2	2	2	2
24	Screw	4	4	4	4	4	4	4
23	Pin	1	1	1	1	1	1	1

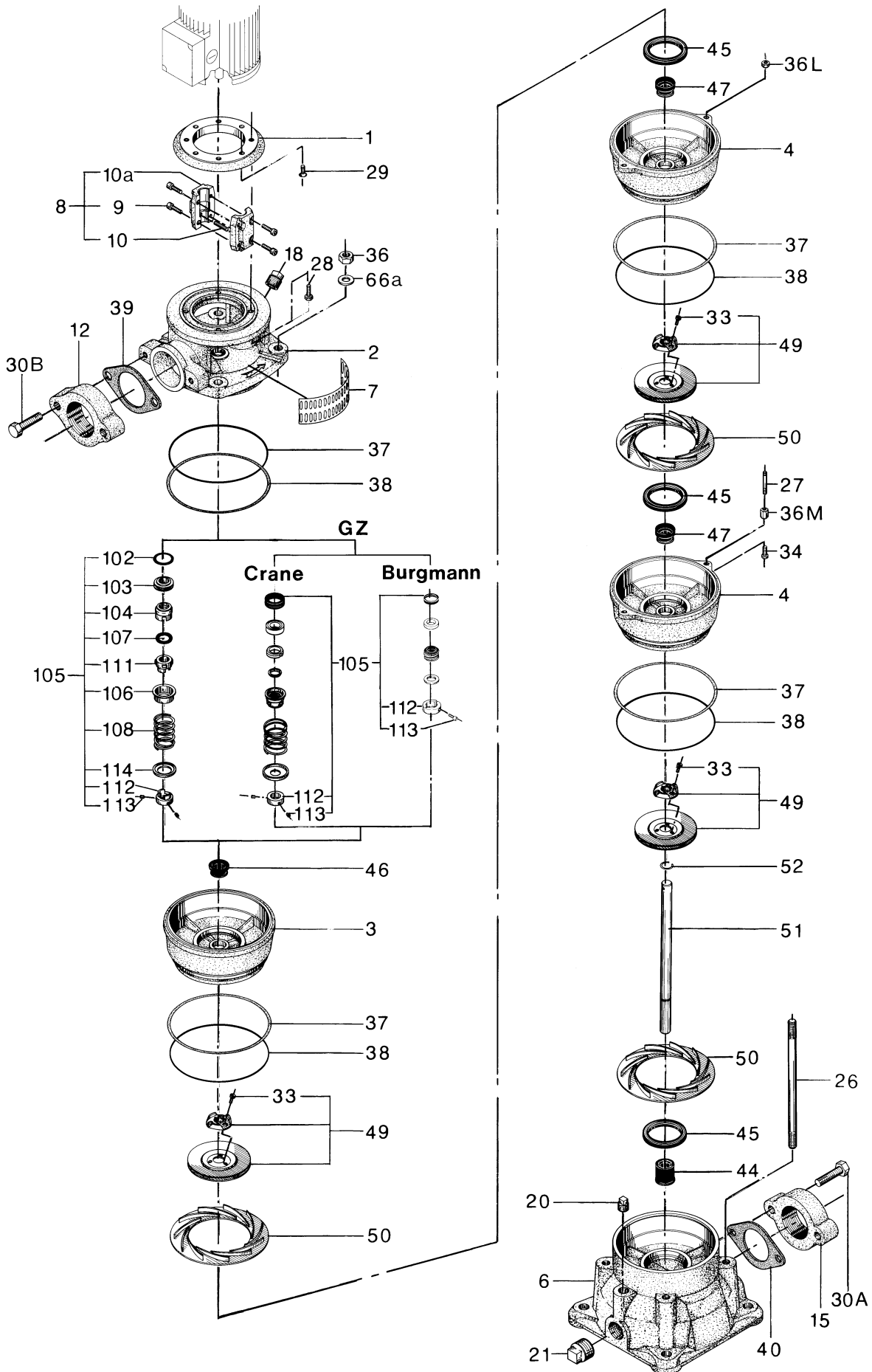
Shaft seal

Pos.	Pump type	CP 8GZ				
		Kit No	985284	96549654	96549655	96549656
	Description		BAQE	BAQV	BQQE	BQQV
37	Paper chamber gasket	2	21	21	21	21
38	Rubber chamber gasket	2	21	21	21	21
105	Shaft seal	1	1	1	1	1

Wear parts

Pos.	Kit No	CP 8, cold water		CP 8K, hot water	
		325250	325251	325253	325254
	Number of stages	1-10	12-20	5-10	12-20
	Description				
37	Paper chamber gasket	11	21	11	21
38	Rubber chamber gasket	11	21	11	21
39	Flange gasket	2	2	-	-
40	Flange gasket K	-	-	2	2
44	Rubber bottom bearing	1	1	-	-
44	Bronze bottom bearing	-	-	-	-
44	Carbide bottom bearing	-	-	1	1
45	Rubber neck ring	10	20	-	-
45	Bronze neck ring	-	-	10	20
46	Top intermediate bearing	1	1	-	-
47	Rubber intermediate bearing	9	19	-	-
47	Bronze intermediate bearing	-	-	10	20

CP 8



TM003052