

10. CM, CME and Boosters

CM, CME

50/60 Hz

Impeller and spacing pipe kits

Kit contents

Pos.	Description
49	Impeller
64a	Spacing pipe
47a	Intermediate bearing

CM A-version (Cast iron EN-GJL-200), 1-8 stages

Pump type	Stages							
	1	2	3	4	5	6	7	8
CM 1	-	92685285	92685286	92685287	92685288	92685289	92685290	92685291
CM 3	-	92685318	92685319	92685320	92685321	92685322	92685323	92685324
CM 5	-	92685361	92685362	92685363	92685364	92685365	92685366	92685367
CM 10	92685392	92685393	92685394	92685395	92685396	-	-	-
CM 15	92685413	92685414	92685416	92685417	-	-	-	-
CM 25	92685426	92685427	92685428	92685429	-	-	-	-

CM G-version (Stainless steel - 1.4401 DIN W.-Nr./316 AISI), 1-8 stages

Pump type	Stages							
	1	2	3	4	5	6	7	8
CM 1	-	92685305	92685306	92685307	92685308	92685309	92685310	92685311
CM 3	-	92685338	92685339	92685340	92685341	92685342	92685343	92685344
CM 5	-	92685380	92685381	92685382	92685383	92685384	92685385	92685386
CM 10	92685405	92685406	92685407	92685408	92685409	92685410	92685411	92685412
CM 15	92685422	92685423	92685424	92685425	-	-	-	-
CM 25	92685434	92685435	92685436	92685437	-	-	-	-

CM G-version (Stainless steel - 1.4401 DIN W.-Nr./316 AISI), 9-14 stages

Pump type	Stages					
	9	10	11	12	13	14
CM 1	92685312	92685313	926853014	92685315	92685316	92685317
CM 3	92685345	926853346	92685347	92685348	92685349	92685360
CM 5	92685387	92685388	92685389	92685390	92685391	-
CM 10	-	-	-	-	-	-
CM 15	-	-	-	-	-	-
CM 25	-	-	-	-	-	-

CM I-version (Stainless steel - I - 1.4301 DIN W.-Nr./304 AISI), 1-8 stages

Pump type	Stages							
	1	2	3	4	5	6	7	8
CM 1	-	92685292	92685293	92685294	92685295	92685296	92685297	92685298
CM 3	-	92685325	92685326	92685327	92685328	92685329	92685330	92685331
CM 5	-	92685368	92685369	92685370	92685371	92685372	92685373	92685374
CM 10	92685397	92685398	92685399	92685400	92685401	92685402	92685403	92685404
CM 15	92685418	92685419	92685420	92685421	-	-	-	-
CM 25	92685430	92685431	92685432	92685433	-	-	-	-

CM I-version (Stainless steel - I - 1.4301 DIN W.-Nr./304 AISI), 9-14 stages

Pump type	Stages					
	9	10	11	12	13	14
CM 1	92685299	92685300	92685301	92685302	92685303	92685304
CM 3	92685332	92685333	92685334	92685335	92685336	92685337
CM 5	92685375	92685376	92685377	92685378	92685379	-
CM 10	-	-	-	-	-	-
CM 15	-	-	-	-	-	-
CM 25	-	-	-	-	-	-

Drain plug, CM

Pos.	Kit No	Description	Material	96932395	96932396
				E/V	K
25		Drain plug	-	2	2
			EPDM	2	-
11		O-ring for plug	FKM	2	-
			FFKM	-	2

Motor bearing kits**CM with fixed speed MG and ML motors**

Pos.	Motor type	MG, ML 71/80	MG, ML 90	MG, ML 100	MG, ML 112/132
		Kit No	96932399	96932400	96932412
79	Diverting disc	1	1	1	1
151a	Installation indicator	1	1	1	1
153	Ball bearing	1	1	1	1
154	Ball bearing	1	1	1	1
155	Bearing cover plate	1	1	1	1
157a	Gasket	1	1	-	-
158	Corrugated spring	1	1	1	1
158a	O-ring (HNBR)	1	1	1	1
159	O-ring (NBR)	1	1	1	1
159a	Seal ring	1	1	1	1
184	O-ring	-	-	-	1

CME pumps with variable speed MGE and MLE motors

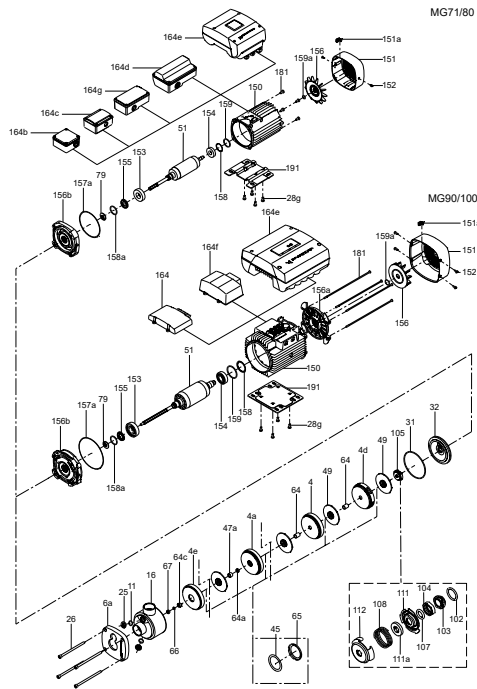
Pos.	Motor type	MGE, MLE 71/80	MGE, MLE 90	MGE, MLE 100/112C	MGE, MLE 112E	MGE, MLE 132
		Kit No	92708240	92708243	92708247	92708248
79	Diverting disc	1	1	1	1	1
106	O-ring (NBR)	-	-	-	-	1
107	O-ring (NBR)	1	1	-	-	-
150b	O-ring (NBR)	-	-	1	-	2
151a	Installation indicator	1	1	1	1	1
153	Ball bearing	1	1	1	1	1
154	Ball bearing	1	1	1	1	1
155	Bearing cover plate	1	1	1	1	1
157a	Gasket	1	1	-	-	-
158	Corrugated spring	1	1	1	1	1
158a	O-ring (HNBR)	1	1	1	1	1
159	O-ring (NBR)	-	-	1	-	-
159a	Seal ring	1	1	1	1	1

Neck ring

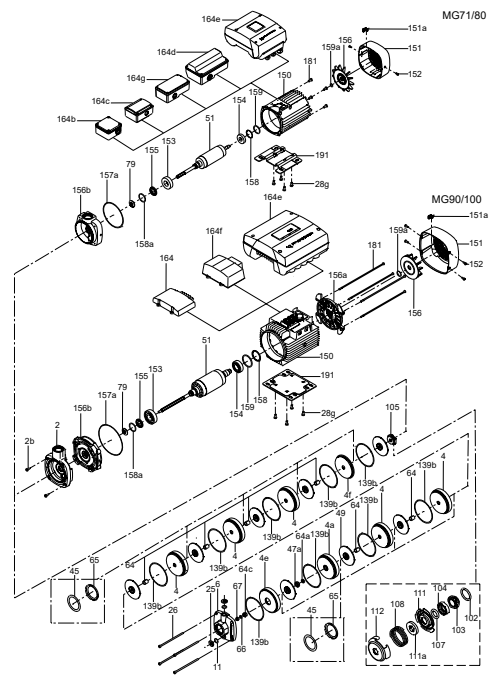
Pump type		CM 1/3/5	CM 1/3/5	CM 10/15/25	CM 10/15/25
			Cold		Cold
Pos.	Kit No	96932397	96932447	96932398	96932448
Description		All	All	All	All
45	Neck ring	14	14	8	8
65	Neck ring retainer	14	14	8	8

CM 1, 3, 5

Stainless steel

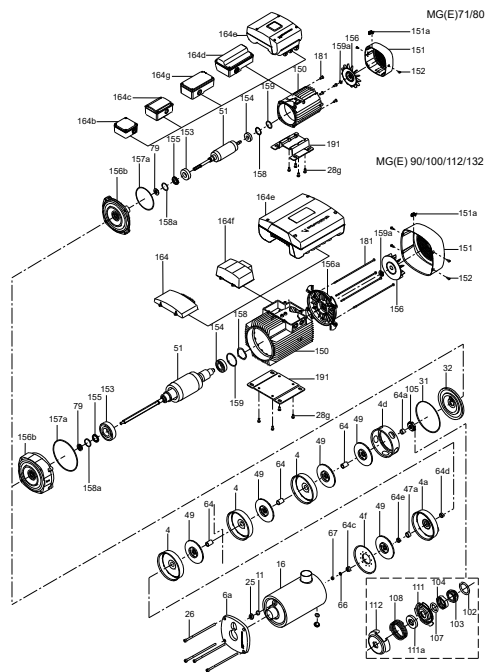


Cast iron

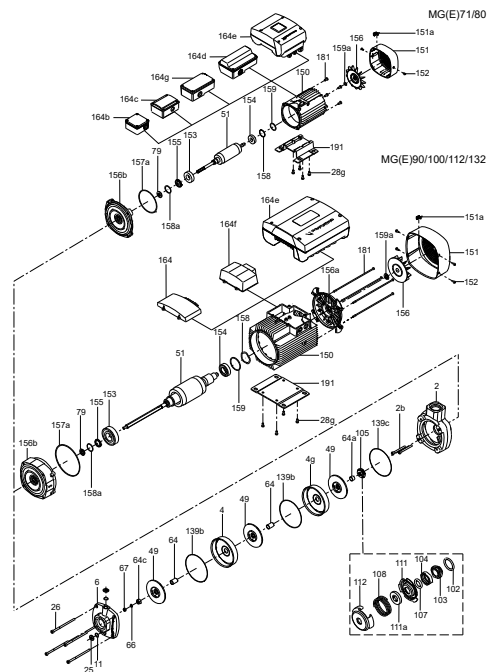


CM 10, 15, 25

Stainless steel



Cast iron



TM043588

TM043591

TM043828

TM043829

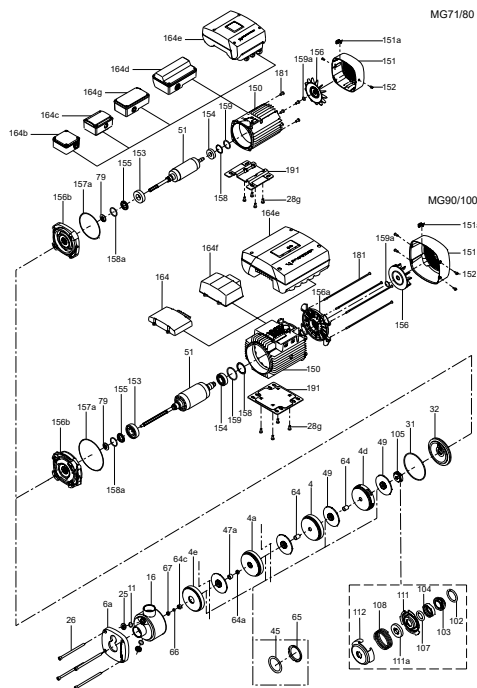
Seal kit (A version)

Pos.	Pump type		CM 1/3/5				
	Kit No		96932350	96932392	988219372	98821938	98092347
	Description	Material	AVBE/V	AQQE/V	AUQE/V	AQBE/V	AQBE
102	O-ring	EPDM	1	1	1	1	1
		FKM	1	1	1	1	-
103	Stationary seal ring	SIC	-	1	1	-	-
		Carbon	1	-	-	1	1
104	Rotating seal ring	SIC	-	1	-	1	1
		Al2O3	1	-	1	-	-
105	O-ring	EPDM	1	1	1	1	1
		FKM	1	1	1	1	-
111	Seal ring retainer	-	1	1	1	1	1
108	Spring	-	1	1	1	1	1
111a	Stop ring	-	1	1	1	1	1
112	Seal driver	-	1	1	1	1	1
139b	Gasket	-	10	10	10	10	5
139c	Gasket \varnothing 144.5/D137.5 x 0.5	-	-	-	-	-	-
64c	Clamp	-	1	1	1	1	1
66	Lock washer (Nord-lock)	-	1	1	1	1	1
67	Nut	-	1	1	1	1	1

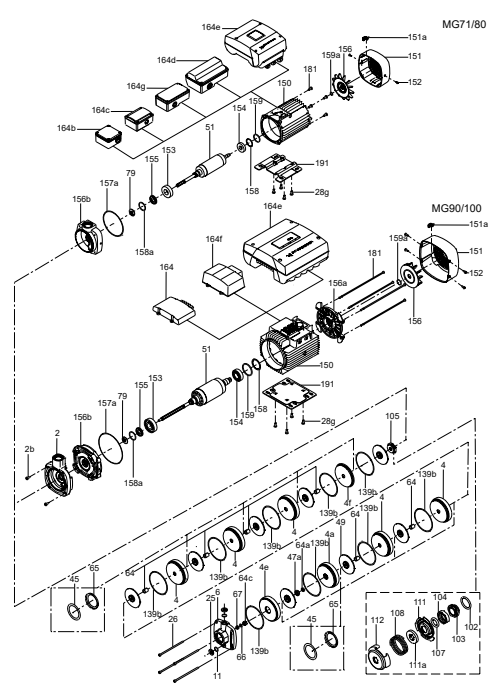
Pos.	Pump type		CM 10/15/25			
	Kit No		96932393	96932394	98821932	98821933
	Description	Material	AVBE/V	AQQE/V	AUQE/V	AQBE/V
102	O-ring	EPDM	1	1	1	1
		FKM	1	1	1	-
103	Stationary seal ring	SIC	-	1	1	-
		Carbon	1	-	-	1
104	Rotating seal ring	SIC	-	1	-	1
		Al2O3	1	-	1	-
105	O-ring	EPDM	1	1	1	1
		FKM	1	1	1	-
111	Seal ring retainer	-	1	1	1	1
108	Spring	-	1	1	1	1
111a	Stop ring	-	1	1	1	1
112	Seal driver	-	1	1	1	1
139b	Gasket	-	6	6	10	5
139c	Gasket \varnothing 144.5/D137.5 x 0.5	-	1	1	-	-
64c	Clamp	-	1	1	1	1
66	Lock washer (Nord-lock)	-	1	1	1	1
67	Nut	-	1	1	1	1

CM 1, 3, 5

Stainless steel

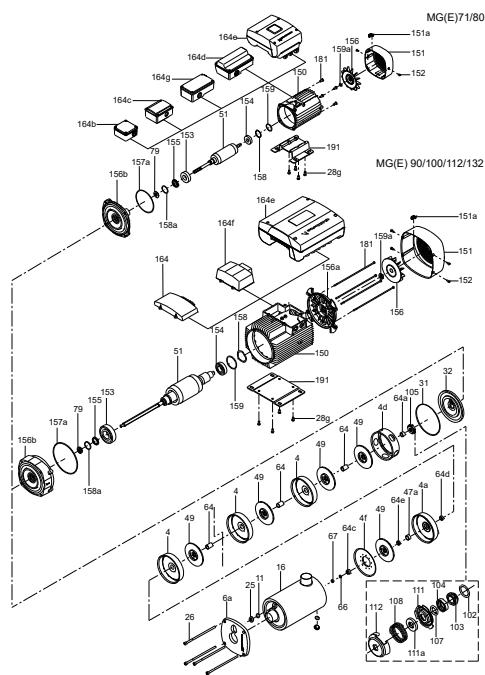


Cast iron

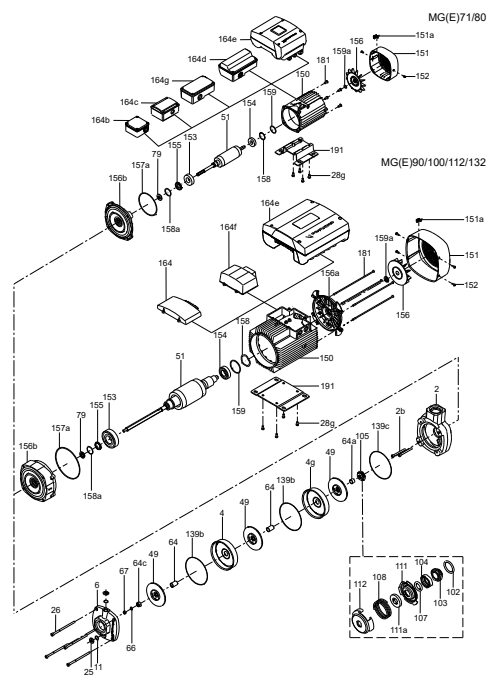


CM 10, 15, 25

Stainless steel



Cast iron



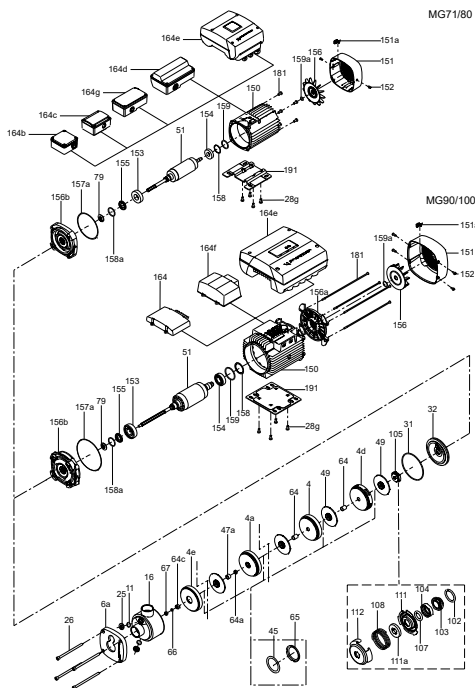
Seal kit (I and G version)

Pump type		CM 1/3/5						
Pos.	Kit No		96932438	96932440	96932441	98810275	98806252	98463764
	Description	Material	AVBE/V	AQQE/V	AQQK	AQBE/V	AUQE/V	AQQK/E/V
102	O-ring	EPDM	1	1	-	1	1	-
		FKM	1	1	-	1	1	-
		FFKM	-	-	1	-	-	1
103	Stationary seal ring	SIC	-	1	1	-	1	1
		Carbon	1	-	-	1	-	-
104	Rotating seal ring	SIC	-	1	1	1	-	1
		Al2O3	1	-	-	-	1	-
105	O-ring	EPDM	1	1	-	1	1	-
		FKM	1	1	-	1	1	-
		FFKM	-	-	1	-	-	1
111	Seal ring retainer	-	1	1	1	1	1	1
108	Spring	-	1	1	1	1	1	1
111a	Stop ring	-	1	1	1	1	1	1
112	Seal driver	-	1	1	1	1	1	1
31	O-ring	EPDM	1	1	-	1	1	1
		FKM	1	1	-	1	1	1
		FFKM	-	-	1	-	-	-
64c	Clamp	-	1	1	1	1	1	1
66	Lock washer (Nord-lock)	-	1	1	1	1	1	1
67	Nut	-	1	1	1	1	1	1

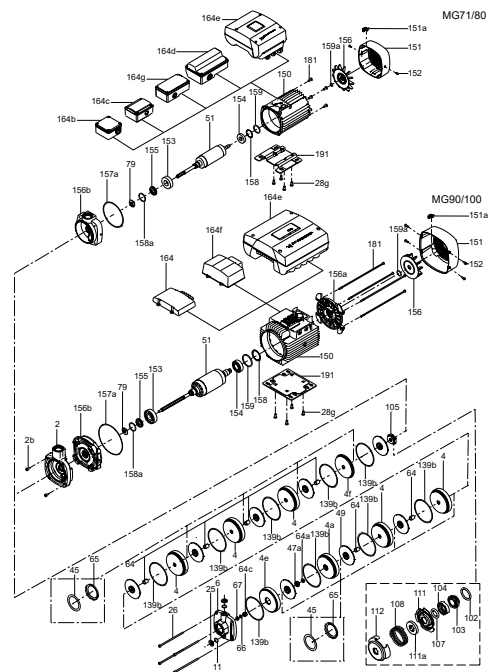
Pump type		CM 10/15/25						
Pos.	Kit No		96932443	96932445	96932446	98821912	98821920	98463766
	Description	Material	AVBE/V	AQQE/V	AQQK	AQBE/V	AUQE/V	AQQK/E/V
102	O-ring	EPDM	1	1	-	1	1	-
		FKM	1	1	-	1	1	-
		FFKM	-	-	1	-	-	1
103	Stationary seal ring	SIC	-	1	1	-	1	1
		Carbon	1	-	-	1	-	-
104	Rotating seal ring	SIC	-	1	1	1	-	1
		Al2O3	1	-	-	-	1	-
105	O-ring	EPDM	1	1	-	1	1	-
		FKM	1	1	-	1	1	-
		FFKM	-	-	1	-	-	1
111	Seal ring retainer	-	1	1	1	1	1	1
108	Spring	-	1	1	1	1	1	1
111a	Stop ring	-	1	1	1	1	1	1
112	Seal driver	-	1	1	1	1	1	1
31	O-ring	EPDM	1	1	-	1	1	1
		FKM	1	1	-	1	1	1
		FFKM	-	-	1	-	-	-
64c	Clamp	-	1	1	1	1	1	1
66	Lock washer (Nord-lock)	-	1	1	1	1	1	1
67	Nut	-	1	1	1	1	1	1

CM 1, 3, 5

Stainless steel

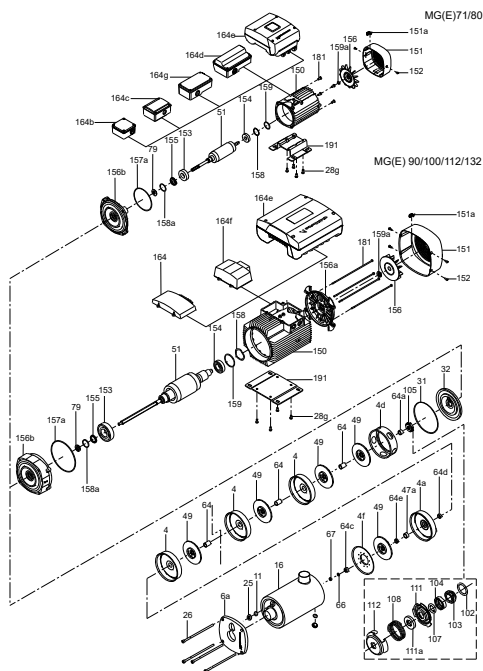


Cast iron

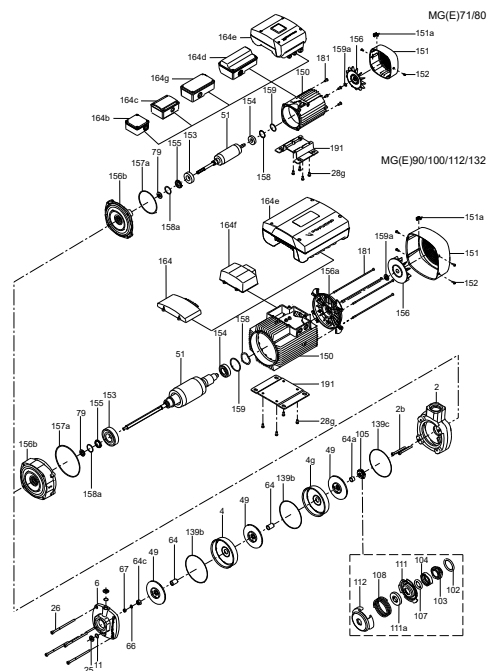


CM 10, 15, 25

Stainless steel



Cast iron



CM Self-priming

50/60 Hz

Impeller and spacing pipe kits

Kit contents

Pos.	Description
49	Impeller
64a	Spacing pipe
47a	Intermediate bearing
64f	Rubber seal
64g	Seal container

CM I-version (Stainless steel - I - 1.4301 DIN W.-Nr./304 AISI), 1-7 stages

Pump type	Stages						
	1	2	3	4	5	6	7
CM 1	-	-	92685438	92685439	92685440	92685441	-
CM 3	-	-	92685442	92685443	92685444	92685445	-
CM 5	-	-	92685446	92685447	92685448	92685449	92685450

Spares

Pos.	Description	Kit No
4d	Spare, Air separator chamber	98520101
4f	Spare, Empty chamber 27mm	98520102
4f	Spare, Empty chamber 18mm	98520103
64a	Spare, Spacing pipe 13mm	98520104

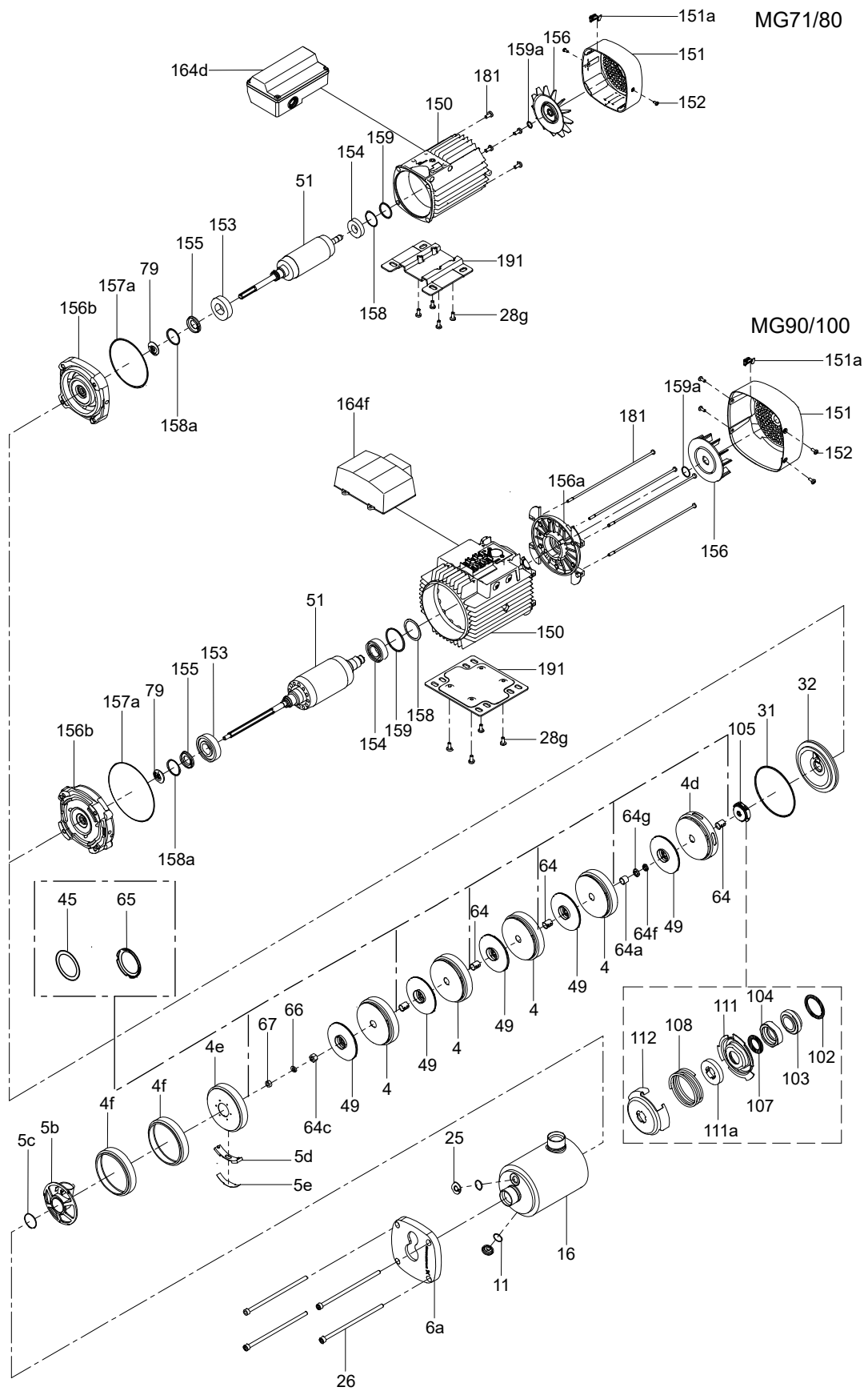
Spare sleeves

Pos.	Description	Kit No	Model / Version / Qty
	Sleeve CM1/3-7 Rp thread	98470942	CM-SP 1/3/5-3/4
16	Sleeve CM1/3-9 Rp thread	98470943	CM-SP 1/3/5-5/6
	Sleeve CM1/3-11 Rp thread	98470949	CM-SP 5-7

Valve kit

Pos.	Kit No	98519018	98519013
	Description	4 meters	8 meters
4e			
5d	Chamber cpl. w. valve	1	1
5e			
64f	Container with rubber seal	1	1
64g			
5b	Water trap	1	1
5c	O-ring EPDM 37.0 x 2.62	1	1

CM self-priming



TM058836

CME Booster

50/60 Hz

Manometer

Pos.	Kit No	98906914	98906915
	Manometer thread	Rp	NPT
462	Manometer 0-16 bar	1	-
462	Manometer 0-200 PSI	-	1

Non-return valve (RP and NPT)

Pos.	Kit No	98906916	98906917
	Valve size	1"	1 1/2"
405a	Gate	1	1
405b	Spring material	1	1
405c	O-ring	1	1
405d	Washer	-	1

Pressure tank

Pos.	Kit No	98906908	98906909
	Tank thread	Rp	NPT
305	2 liter GT-H tank with Rp thread	1	-
305	2 liter GT-H tank with NPT thread	-	1

Sensor kit

Pos.	Kit No	98906904	98906905
	Sensor thread	Rp	NPT
461a	Sensor MBS 1900 0-10 bar	1	1

German version with inlet pressure switch

Inlet pressure switch

Pos.	Kit No	99010690
	External thread	Rp
407	Inlet pressure switch	1

Manometer

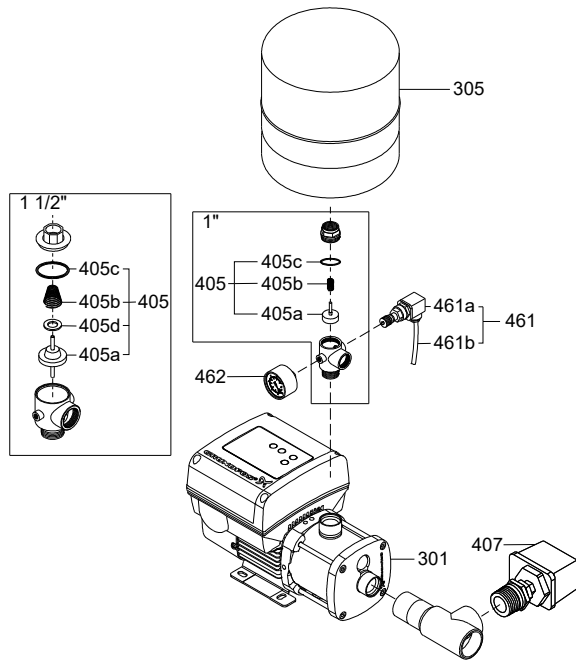
Pos.	Kit No	99010691
	Manometer thread	Rp
462	Manometer	1

Sensor kit

Pos.	Kit No	99010689
	Sensor thread	Rp
461a	Sensor	1

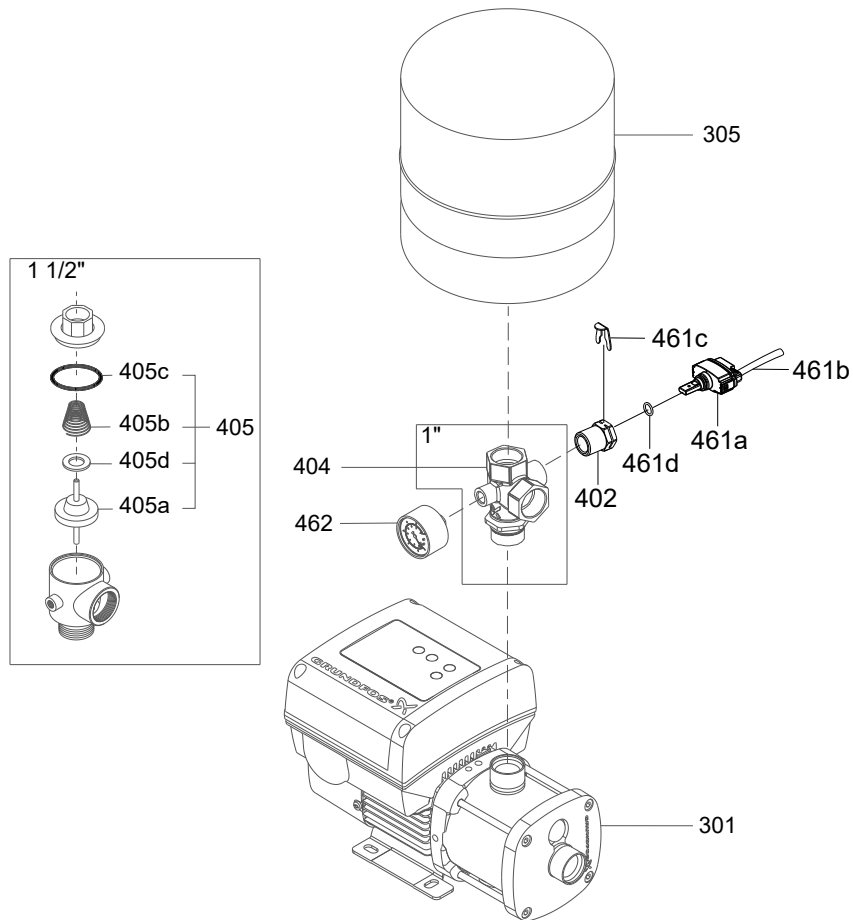
CME Booster

CMBE German version with pressure switch



TM065177

CMBE



TM064097

CM Booster PT, PS

50/60 Hz

Hose, kits

Kit No		98906918	98906919
Pos.	Model	CMB PT	CMB PT
Tanks size		24 liter	60 liter
309	Rubber hose with fittings	1	-
309	Rubber hose with fittings	-	1
406	Gasket	1	1

Manometer

Kit No		98906913
Pos.	Model	CMB PT / CMB PS
462	Manometer	1

Non-return valve CMB PS & CMB PT vertical tank

Kit No		98906916	98906917
Pos.	Model	CMB PS/PT	CMB PS
Valve size		1"	1 1/2"
405a	Gate	1	1
405b	Spring	1	1
405c	O-ring	1	1
406	Gasket	1	-
405d	Washer	-	1

Pressure switch kit

Kit No		98906906	98906907
Pos.	Model	CMB PS	CMB PT
407a	Pressure switch	1	1

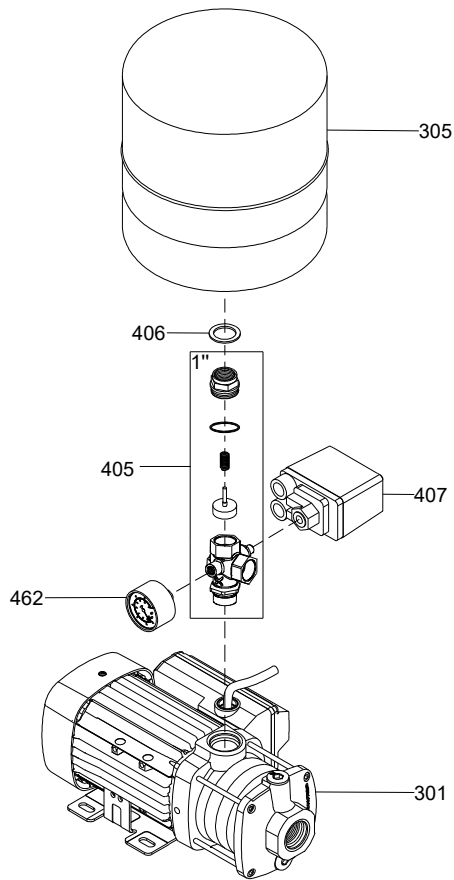
Pressure tank

Kit No		98906910	98906911	98906912
Pos.	Model	CMB PT	CMB PT	CMB PT
305	24 liter GT-H tank	1	-	-
305	60 liter GT-H tank	-	1	-
305	18 liter GT-H tank	-	-	1
406	Gasket	2	2	2

CMB PM1, CMB PM2

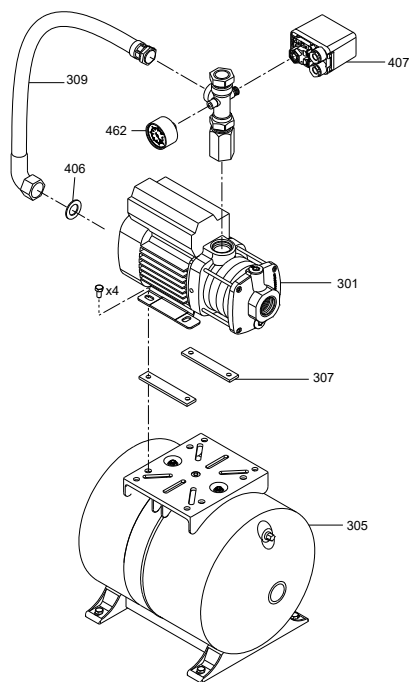
See section Pressure manager for PM parts.

CM Booster
CMB PS



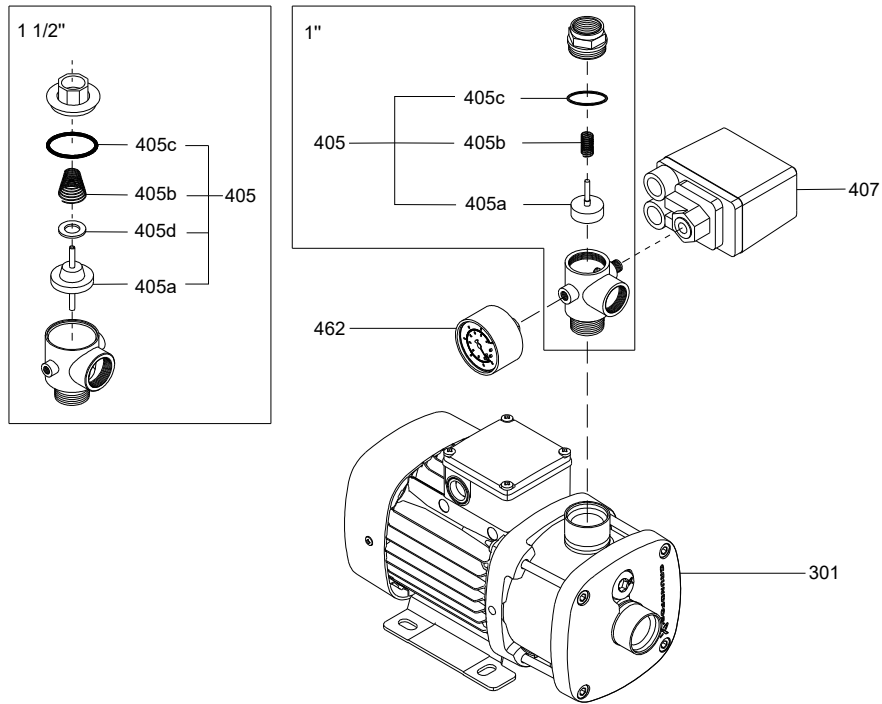
TM063604

CMB PT (vertical tank)



TM064098

CMB PT (horizontal tank)



TM064362