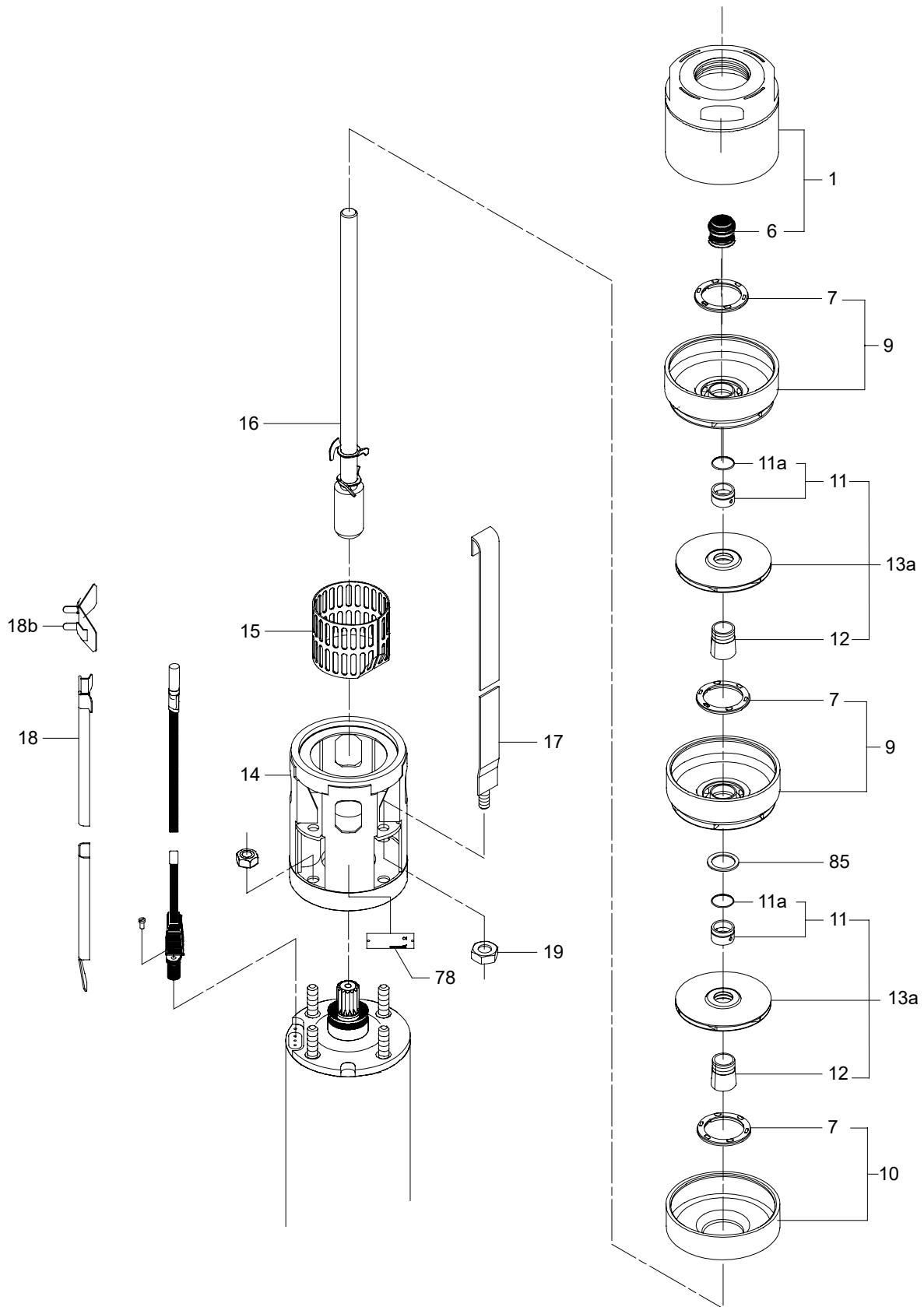


83. SP**SP 1A, 2A model A****50/60 Hz, Cone and nut type****Wear parts**

| | Kit No | <i>105059</i> | <i>095059</i> | <i>095060</i> | <i>095061</i> | <i>095062</i> |
|------|------------------|---------------|---------------|---------------|---------------|---------------|
| Pos. | Number of stages | 31-39 | 40-48 | 49-60 | 61-75 | 76-90 |
| | Description | | | | | |
| 6 | Top bearing | 1 | 1 | 1 | 1 | 1 |
| 7 | Neck ring | 39 | 48 | 60 | 75 | 90 |
| 85 | Stop ring | 3 | 3 | 3 | 3 | 3 |

SP 1A, 2A model A

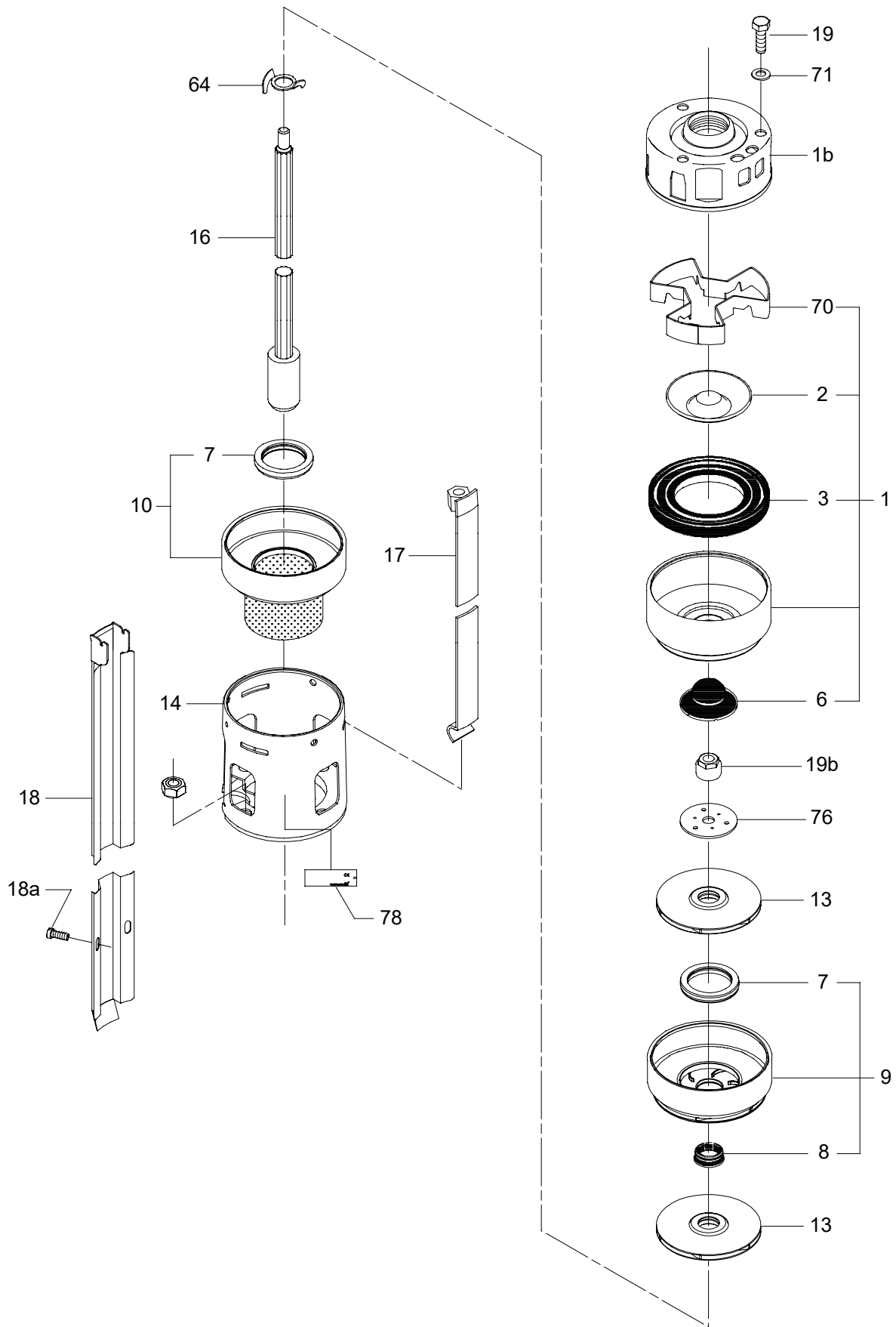


TM019316

SP 1A, 1.5A, 2A model A**50/60 Hz, Splined shaft****Wear parts**

| Kit No | 095054 | 055008 | 055009 | 095056 | 055010 | 055011 | |
|-------------|---------------------|--------|--------|--------|--------|--------|-------|
| Pos. | Number of stages | -6 | 7-9 | 10-15 | 16-21 | 22-26 | 27-33 |
| Description | | | | | | | |
| 3 | Valve seat | 1 | 1 | 1 | 1 | 1 | 1 |
| 6 | Top bearing | 1 | 1 | 1 | 1 | 1 | 1 |
| 7 | Neck ring | 6 | 9 | 15 | 21 | 26 | 33 |
| 8 | Bearing | 6 | 9 | 15 | 21 | 26 | 33 |
| 19b | Lock nut, M8 | 1 | 1 | 1 | 1 | 1 | 1 |
| | Lock nut, 5/16" UNF | 1 | 1 | 1 | 1 | 1 | 1 |
| 70 | Valve guide | 1 | 1 | 1 | 1 | 1 | 1 |
| 76 | Washer | 1 | 1 | 1 | 1 | 1 | 1 |

SP 1A, 1.5A, 2A model A

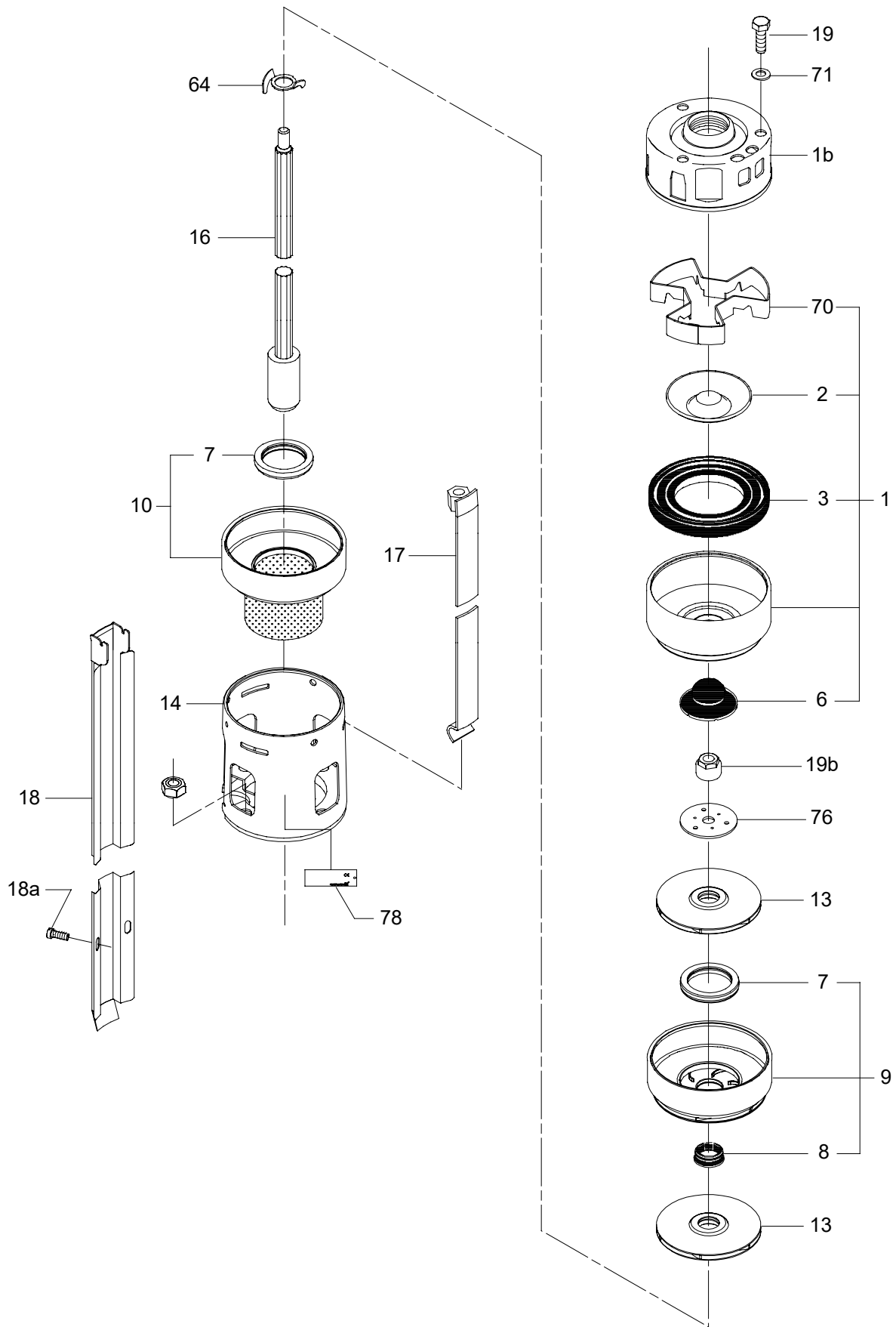


TMO19315

SP 3A, 5A model A**50/60 Hz, Splined shaft****Wear parts**

| Kit No | | <i>095054</i> | <i>055008</i> | <i>055009</i> | <i>095056</i> | <i>055010</i> | <i>055011</i> |
|-------------|------------------|---------------|---------------|---------------|---------------|---------------|---------------|
| Pos. | Number of stages | 1-6 | 7-9 | 10-15 | 16-21 | 22-26 | 27-33 |
| Description | | | | | | | |
| 3 | Valve seat | 1 | 1 | 1 | 1 | 1 | 1 |
| 6 | Top bearing | 1 | 1 | 1 | 1 | 1 | 1 |
| 7 | Neck ring | 6 | 9 | 15 | 21 | 26 | 33 |
| 8 | Bearing | 6 | 9 | 15 | 21 | 26 | 33 |
| 19b | Lock nut | 1 | 1 | 1 | 1 | 1 | 1 |
| 70 | Valve guide | 1 | 1 | 1 | 1 | 1 | 1 |
| 76 | Washer | 1 | 1 | 1 | 1 | 1 | 1 |

SP 3A, 5A model A



TMO19315

Cone and nut type**Wear parts****SP 3A (N), SP 5A (N)**

| | Kit No | 105543 | 105544 | 055504 | 105546 | 105547 | 105059 | 095059 | 095060 | 095061 | 095062 |
|------|------------------|--------|--------|--------|--------|--------|--------|--------|--------|--------|--------|
| Pos. | Number of stages | -5 | 6-10 | 11-15 | 16-24 | 25-30 | 31-39 | 40-48 | 49-60 | 61-75 | 76-90 |
| | Description | | | | | | | | | | |
| 3 | Valve seat | 1 | 1 | 1 | 1 | 1 | - | - | - | - | - |
| 6 | Top bearing | 1 | 1 | 1 | 1 | 1 | 1 | 1 | 1 | 1 | 1 |
| 7 | Neck ring | 5 | 10 | 15 | 24 | 30 | 39 | 48 | 60 | 75 | 90 |
| 85 | Stop ring | 1 | 2 | 3 | 3 | 3 | 3 | 3 | 3 | 3 | 3 |

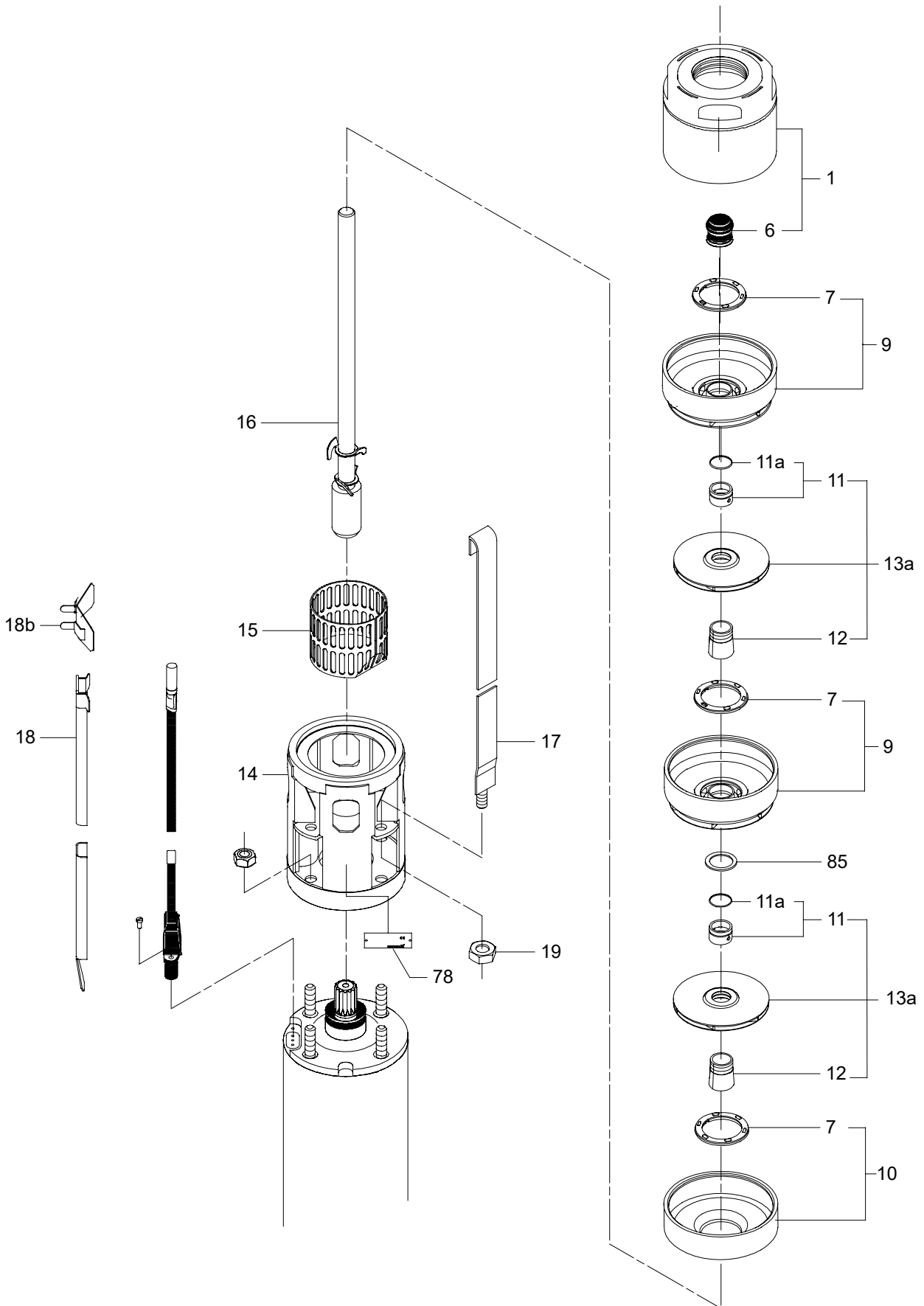
SP 3A NE, SP 5A NE

| | Kit No | 96440231 | 96440230 | 96440229 | 96440228 | 96440227 |
|------|------------------|----------|----------|----------|----------|----------|
| Pos. | Number of stages | -12 | -25 | -33 | -45 | -60 |
| | Description | | | | | |
| 6 | Top bearing | 1 | 1 | 1 | 1 | 1 |
| 7 | Neck ring | 12 | 25 | 33 | 45 | 60 |
| 85 | Stop ring | 2 | 3 | 3 | 3 | 3 |

SP 3A R, SP 5A R

| | Kit No | 105969 | 105970 | 105971 | 105972 | 105973 | 105974 | 105975 | 105976 |
|------|------------------|--------|--------|--------|--------|--------|--------|--------|--------|
| Pos. | Number of stages | -5 | 6-10 | 11-15 | 16-24 | 25-30 | 31-39 | 40-48 | 49-60 |
| | Description | | | | | | | | |
| 6 | Top bearing | 1 | 1 | 1 | 1 | 1 | 1 | 1 | 1 |
| 7 | Neck ring | 5 | 10 | 15 | 24 | 30 | 39 | 48 | 60 |
| 85 | Stop ring | 1 | 2 | 2 | 3 | 3 | 3 | 3 | 3 |

SP 3A, 5A model A



TM019316

SP 8A (N) (NE) (R) model A**Wear parts****SP 8A, SP 8A R**

| Pos. | SP 8A before yyww 9444 | | | | SP 8A and SP 8A R after yyww 9444 | | | | |
|-------------|------------------------|--------|--------|--------|-----------------------------------|----------|----------|----------|----------|
| | Kit No | 115046 | 115047 | 115048 | 115103 | 96428935 | 96428936 | 96428937 | 96428938 |
| | Number of stages | 5-10 | 12-18 | 21-25 | 28-37 | 5-10 | 12-18 | 21-25 | 28-37 |
| Description | | | | | | | | | |
| 3 | Valve seat | 1 | 1 | 1 | 1 | - | - | - | - |
| 6 | Top bearing | 1 | 1 | 1 | 1 | 1 | 1 | 1 | 1 |
| 7 | Neck ring | 10 | 18 | 25 | 37 | 10 | 18 | 25 | 37 |
| 8 | Bearing | 9 | 17 | 24 | 36 | 9 | 17 | 24 | 36 |

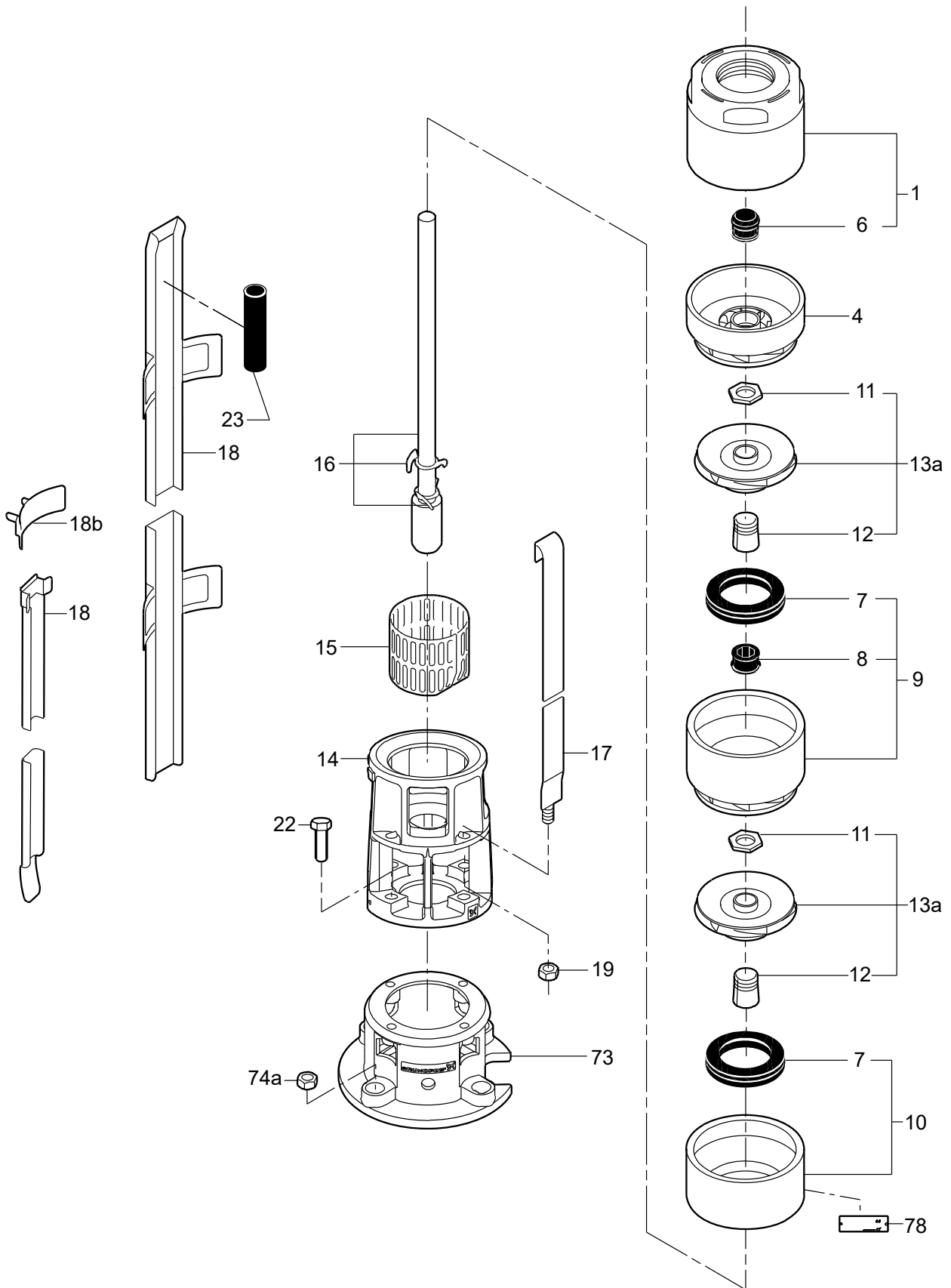
SP 8A N

| Pos. | Before yyww 9444 | | | SP 8A N after yyww 9444 | | | |
|-------------|------------------|--------|--------|-------------------------|----------|----------|----------|
| | Kit No | 115587 | 115588 | 115589 | 96428935 | 96428936 | 96428937 |
| | Number of stages | 5-10 | 12-18 | 21-25 | 5-10 | 12-18 | 21-25 |
| Description | | | | | | | |
| 3 | Valve seat | 1 | 1 | 1 | - | - | - |
| 6 | Top bearing | 1 | 1 | 1 | 1 | 1 | 1 |
| 7 | Neck ring | 10 | 18 | 25 | 10 | 18 | 25 |
| 8 | Bearing | 9 | 17 | 24 | 9 | 17 | 24 |

SP 8A NE

| Pos. | Before yyww 9444 | | | After yyww 9444 | | | | |
|-------------|------------------|--------|--------|-----------------|----------|----------|----------|----------|
| | Kit No | 115567 | 115568 | 115569 | 96428939 | 96428940 | 96428941 | 96441561 |
| | Number of stages | 5-10 | 12-18 | 21-25 | 5-10 | 12-18 | 21-25 | 26-37 |
| Description | | | | | | | | |
| 3 | Valve seat | - | 1 | 1 | - | - | - | 1 |
| 6 | Top bearing | 1 | 1 | 1 | 1 | 1 | 1 | 1 |
| 7 | Neck ring | 10 | 18 | 25 | 10 | 18 | 25 | 37 |
| 85 | Stop ring | 9 | 17 | 24 | 9 | 17 | 24 | 36 |

SP 8A (N) (NE) (R) model A



TMO19320

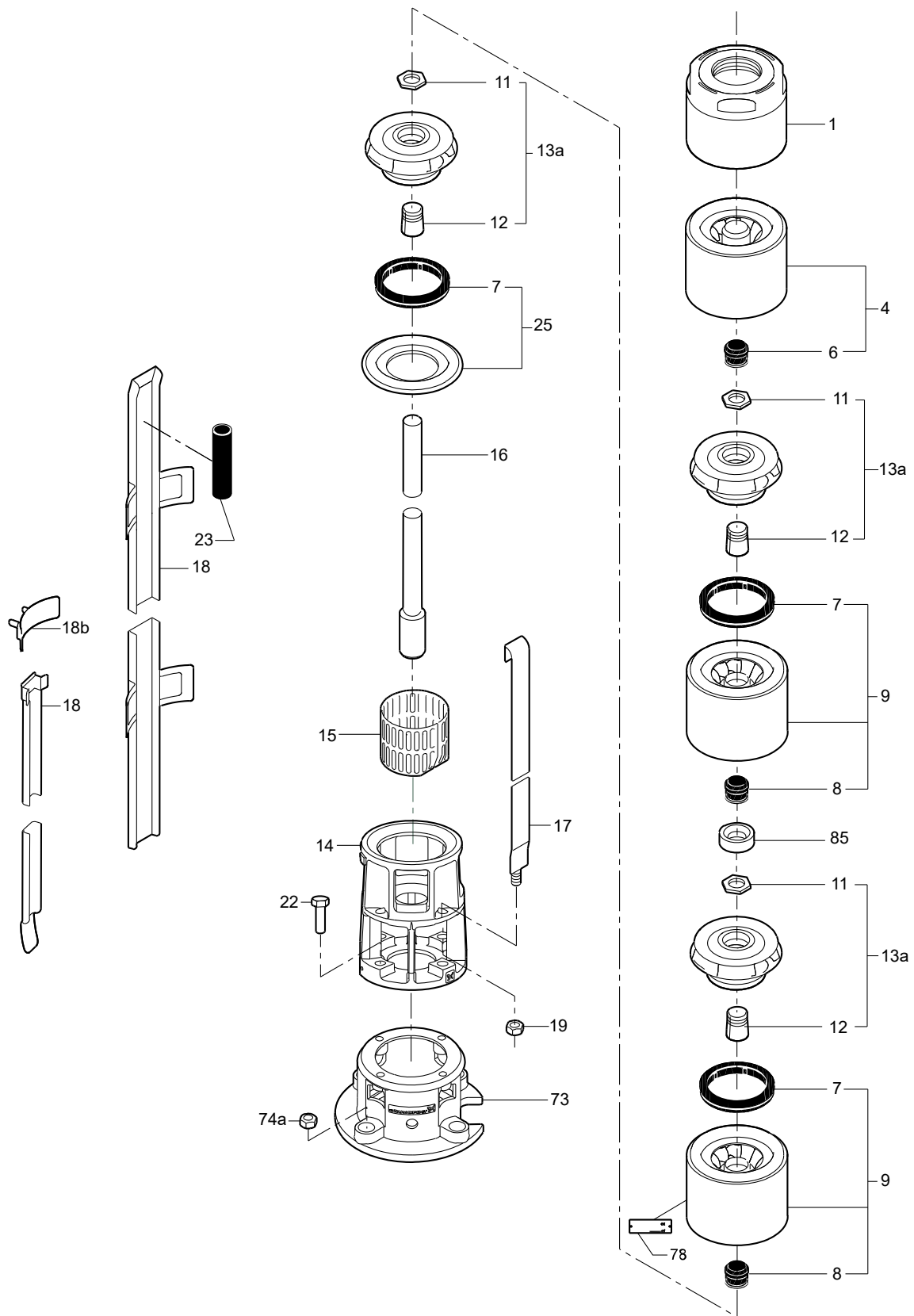
SP 11A, 14A model A**Wear parts****SP 11A, SP 14A**

| | Kit No | 075008 | 075009 | 075010 | 075011 |
|-------------|-------------------------|---------------|---------------|---------------|---------------|
| Pos. | Number of stages | -5 | 7-13 | 14-18 | 20-25 |
| | Description | | | | |
| 3 | Valve seat | 1 | 1 | 1 | 1 |
| 6 | Top bearing | 1 | 1 | 1 | 1 |
| 7 | Neck ring | 5 | 13 | 18 | 25 |
| 8 | Bearing | 5 | 13 | 18 | 25 |
| 11 | Split cone nut | 5 | 13 | 18 | 25 |
| 12 | Split cone | 5 | 13 | 18 | 25 |
| 85 | Stop ring | 1 | 1 | 1 | 1 |

SP 14A N

| | Kit No | 075507 | 075508 | 075509 | 075510 |
|-------------|-------------------------|---------------|---------------|---------------|---------------|
| Pos. | Number of stages | -5 | 7-13 | 14-18 | 20-25 |
| | Description | | | | |
| 7 | Neck ring | 5 | 13 | 18 | 25 |
| 8 | Bearing | 5 | 13 | 18 | 25 |
| 11 | Split cone nut | 5 | 13 | 18 | 25 |
| 12 | Split cone | 5 | 13 | 18 | 25 |
| 85 | Stop ring | 1 | 1 | 1 | 1 |

SP 11A, 14A model A



TM019323

SP 7, 9, 11, 14**Wear parts****SP 7, 9 NBR**

| | Kit No. | 98766923 | 98766924 | 98766929 | 98766930 | 98766935 | 98766936 | 98766941 | 98766942 | 98766947 | |
|--------|---------------------|----------|----------|----------|----------|----------|----------|----------|----------|----------|-------|
| Pos. | Number of stages | 1 | | | 2-5 | | 6-10 | | 11-25 | | 26-50 |
| | Description | | | | | | | | | | |
| 3a | Valve seat | 1 | 1 | 1 | 1 | 1 | 1 | 1 | 1 | 1 | 1 |
| 8 | Bearing shaft Ø12,5 | 1 | - | 5 | - | 10 | - | 25 | - | 50 | |
| 8 | Bearing shaft Ø 16 | - | 1 | - | 5 | - | 10 | - | 25 | 50 | |
| 7 / 68 | Seal ring | 2 | 2 | 6 | 6 | 10 | 10 | 25 | 25 | 50 | |

SP 7, 9 FKM

| | Kit No. | 98766925 | 98766926 | 98766931 | 98766932 | 98766937 | 98766938 | 98766943 | 98766944 | 98766948 | |
|--------|---------------------|----------|----------|----------|----------|----------|----------|----------|----------|----------|-------|
| Pos. | Number of Stages | 1 | | | 2-5 | | 6-10 | | 11-25 | | 26-50 |
| | Description | | | | | | | | | | |
| 3a | Valve seat | 1 | 1 | 1 | 1 | 1 | 1 | 1 | 1 | 1 | |
| 8 | Bearing shaft Ø12,5 | 1 | - | 5 | - | 10 | - | 25 | - | 50 | |
| 8 | Bearing shaft Ø16 | - | 1 | - | 5 | - | 10 | - | 25 | 50 | |
| 7 / 68 | Seal ring | 2 | 2 | 6 | 6 | 11 | 11 | 26 | 26 | 51 | |

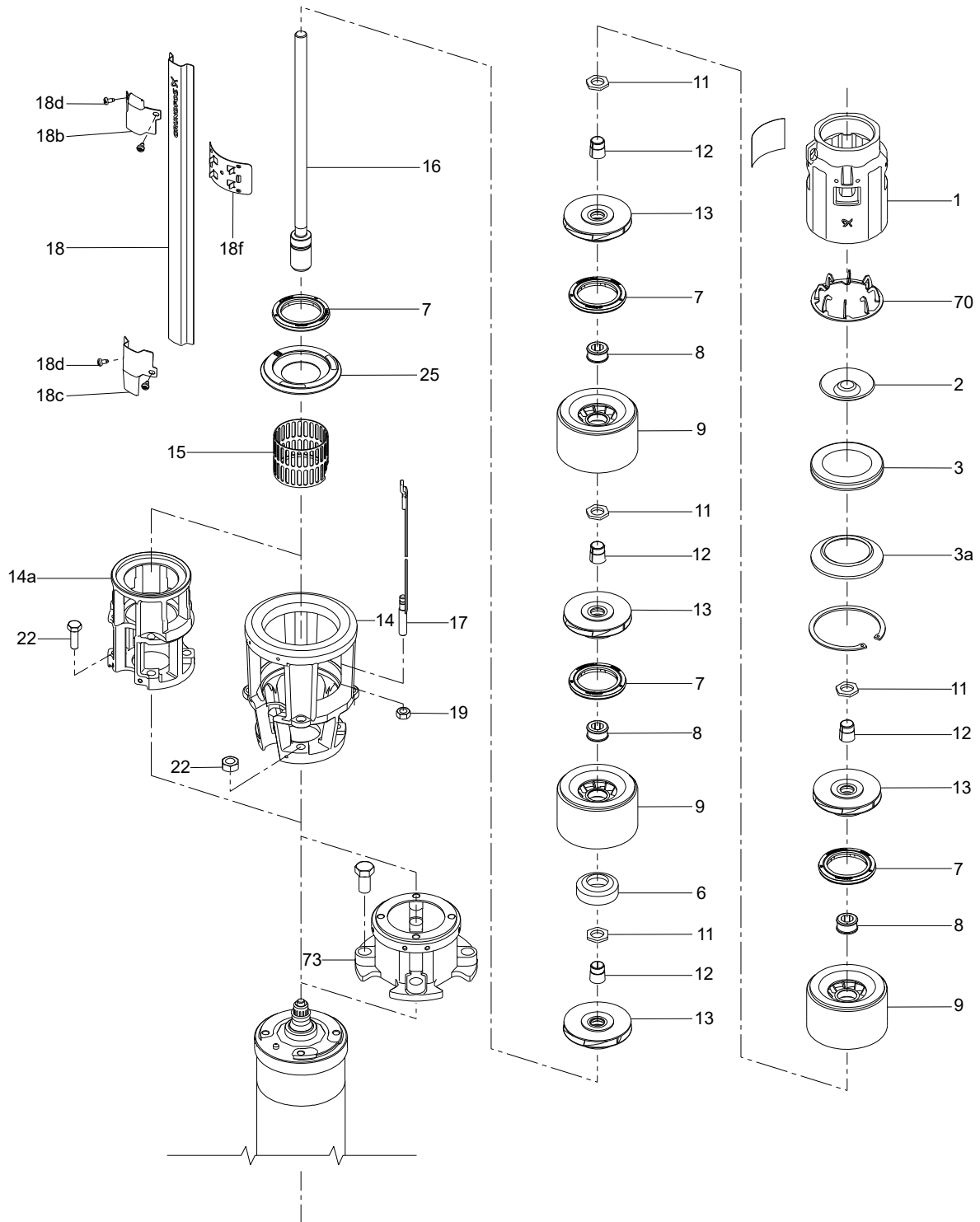
SP 11, 14 NBR

| | Kit No. | 98766927 | 98766933 | 98766939 | 98766945 | | | | | |
|--------|--------------------|----------|----------|----------|----------|----|--|----|--|--|
| Pos. | Number of Stages | 1 | | 5 | | 10 | | 25 | | |
| | Description | | | | | | | | | |
| 3a | Valve seat | 1 | | 1 | | 1 | | 1 | | |
| 8 | Bearing shaft Ø 16 | 1 | | 5 | | 10 | | 25 | | |
| 7 / 68 | Seal ring | 2 | | 2 | | 6 | | 6 | | |

SP 11, 14 FKM

| | Kit No. | 98766928 | 98766934 | 98766940 | 98766946 | | | | | |
|--------|-------------------|----------|----------|----------|----------|----|--|----|--|--|
| Pos. | Number of Stages | 1 | | 5 | | 10 | | 25 | | |
| | Description | | | | | | | | | |
| 3a | Valve seat | 1 | | 1 | | 1 | | 1 | | |
| 8 | Bearing shaft Ø16 | 1 | | 5 | | 10 | | 25 | | |
| 7 / 68 | Seal ring | 2 | | 6 | | 11 | | 26 | | |

SP 7, 9, 11, 14



TM061865

SP 17 model A

Wear parts

SP 17, SP 17 N, SP 17 R

| | Kit No | 96421723 | 96421724 | 96421725 | 96440238 | 96488045 | 96488046 |
|------|------------------|----------|----------|----------|----------|----------|----------|
| Pos. | Number of stages | 1-5 | 6-16 | 17-26 | 27-40 | -50 | -60 |
| | Description | | | | | | |
| 3 | Valve seat | 1 | 1 | 1 | - | - | - |
| 6 | Bearing | 1 | 1 | 1 | - | - | - |
| 7 | Neck ring | 5 | 16 | 26 | 40 | 50 | 60 |
| 8 | Bearing | 4 | 15 | 25 | 39 | 49 | 59 |
| 8a | Spacing washer | 1 | 1 | 1 | 1 | 1 | 1 |
| 72 | Wear ring | 5 | 16 | 26 | 40 | 50 | 60 |

Impeller

| | Pump type | SP 17 | SP 17 N | SP 17 R |
|-------------------|----------------------------------|----------|----------|----------|
| Pos. | Kit No | 97506595 | 96903203 | 96903204 |
| | Description | | | |
| 11, 12, 13, 72 | Impeller with split cone and nut | 1 | 1 | 1 |

Split cone with nut

| | Pump type | SP 17 | SP 17 N | SP 17 R |
|------|----------------|----------|----------|----------|
| Pos. | Kit No | 97508279 | 96901911 | 96901953 |
| | Description | | | |
| 11 | Split cone nut | 1 | 1 | 1 |
| 12 | Split cone | 1 | 1 | 1 |

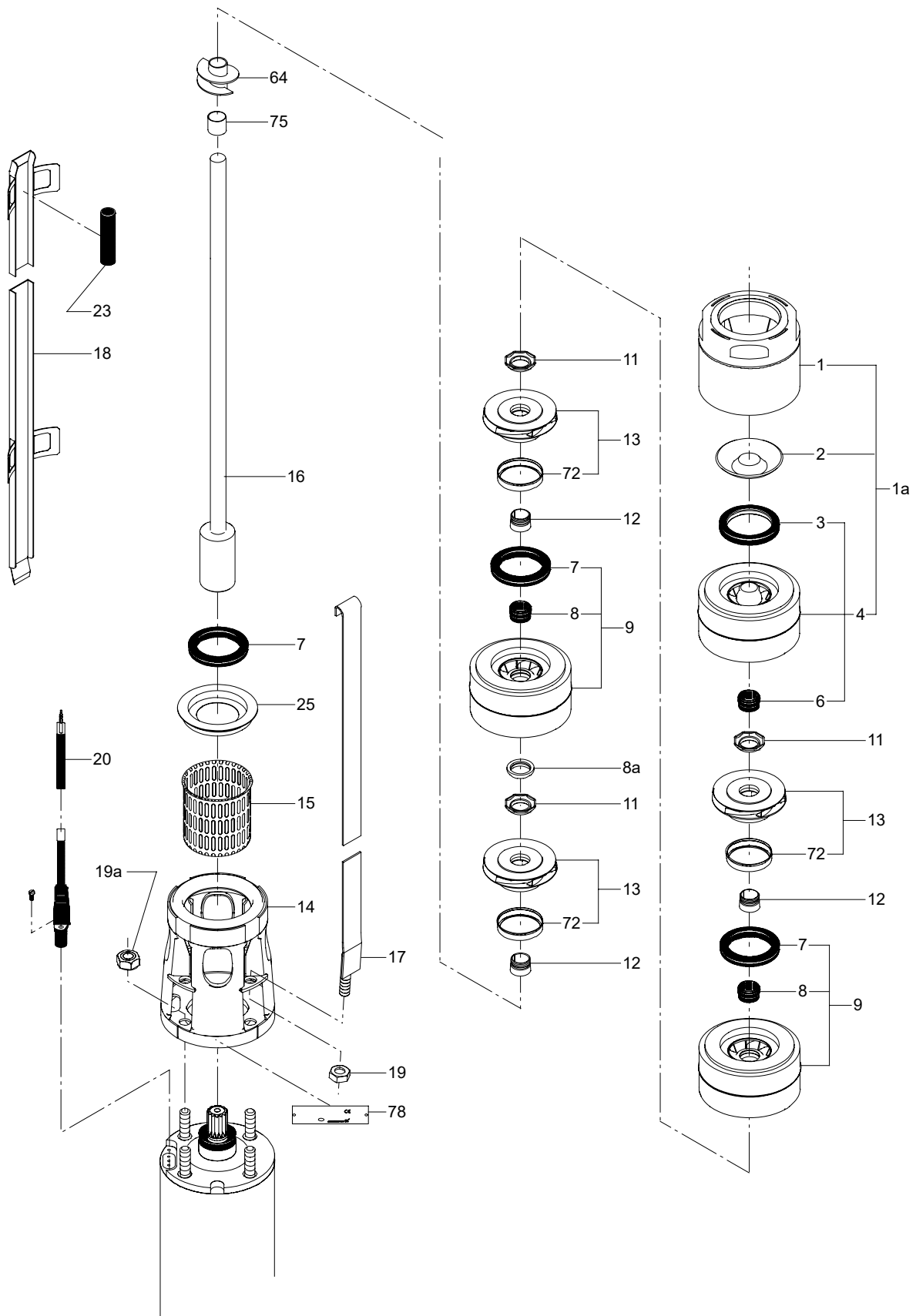
Split cone with stop nut

| | Pump type | SP 17 | SP 17 N | SP 17 R |
|------|------------------------------|----------|----------|----------|
| Pos. | Kit No | 97508314 | 96901960 | 96901961 |
| | Description | | | |
| 11 | Split cone nut | 1 | 1 | 1 |
| 12 | Split cone | 1 | 1 | 1 |
| - | Spacing washer for stop ring | 1 | 1 | 1 |

Cable termination (shrink-flex)

See the SP data booklet.

SP 17 model A



TM012257

SP 17 model B**Wear parts, NBR
SP 17, SP 17 N, SP 17 R**

| Kit No | | 97945520 | 97945521 | 97937872 | 97937873 | 97937874 | 97937875 | 97937876 |
|-------------|-----------------------|----------|----------|----------|----------|----------|----------|----------|
| Pos. | Number of stages | 1-5 | 6-12 | 13-19 | 20-30 | 31-40 | 41-50 | 51-60 |
| Description | | | | | | | | |
| 3 | Valve seat | 1 | 1 | 1 | 1 | 1 | 1 | 1 |
| 7 | Neck ring | 5 | 12 | 19 | 30 | 40 | 50 | 60 |
| 8 | Bearing | 5 | 12 | 19 | 30 | 40 | 50 | 60 |
| 8a | Spacing washer | 1 | 1 | 1 | 1 | 1 | 1 | 1 |
| 37 | O-ring | - | - | - | 1 | 1 | 1 | 1 |
| 72 | Wear ring | 5 | 12 | 19 | 30 | 40 | 50 | 60 |
| 142a | Bearing for valve cup | 1 | 1 | 1 | 1 | 1 | 1 | 1 |

**Wear parts, FKM
SP 17, SP 17 N, SP 17 R**

| Kit No | | 97937891 | 97937892 | 97937893 | 97937894 | 97937895 | 97937896 | 97937897 |
|-------------|-----------------------|----------|----------|----------|----------|----------|----------|----------|
| Pos. | Number of stages | 1-5 | 6-12 | 13-19 | 20-30 | 31-40 | 41-50 | 51-60 |
| Description | | | | | | | | |
| 3 | Valve seat | 1 | 1 | 1 | 1 | 1 | 1 | 1 |
| 7 | Neck ring | 5 | 12 | 19 | 30 | 40 | 50 | 60 |
| 8 | Bearing | 5 | 12 | 19 | 30 | 40 | 50 | 60 |
| 8a | Spacing washer | 1 | 1 | 1 | 1 | 1 | 1 | 1 |
| 37 | O-ring | - | - | - | 1 | 1 | 1 | 1 |
| 72 | Wear ring | 5 | 12 | 19 | 30 | 40 | 50 | 60 |
| 142a | Bearing for valve cup | 1 | 1 | 1 | 1 | 1 | 1 | 1 |

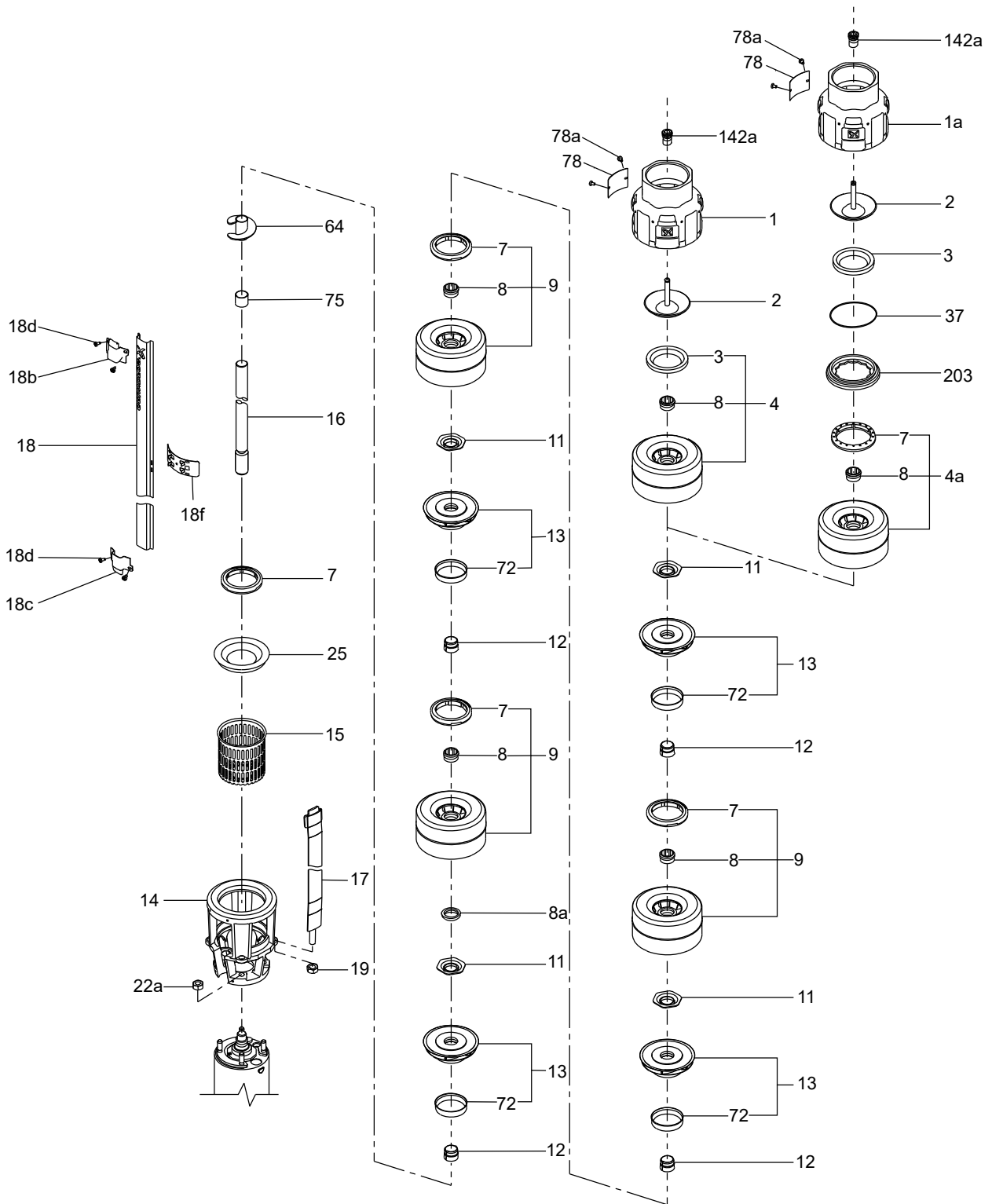
**Wear parts, Wear resistant bearing
SP 17, SP 17 N, SP 17 R**

| Kit No | | 98098277 | 98098278 | 98098279 | 98098280 | 98098311 | 98098312 | 98098313 |
|-------------|-----------------------|----------|----------|----------|----------|----------|----------|----------|
| Pos. | Number of stages | 1-5 | 6-12 | 13-19 | 20-30 | 31-40 | 41-50 | 51-60 |
| Description | | | | | | | | |
| 3 | Valve seat | 1 | 1 | 1 | 1 | 1 | 1 | 1 |
| 7 | Neck ring | 5 | 12 | 19 | 30 | 40 | 50 | 60 |
| 8 | Bearing | 5 | 12 | 19 | 30 | 40 | 50 | 60 |
| 8a | Spacing washer | 1 | 1 | 1 | 1 | 1 | 1 | 1 |
| 37 | O-ring | - | - | - | 1 | 1 | 1 | 1 |
| 72 | Wear ring | 5 | 12 | 19 | 30 | 40 | 50 | 60 |
| 142a | Bearing for valve cup | 1 | 1 | 1 | 1 | 1 | 1 | 1 |

Cable termination (shrink-flex)

See the SP data booklet.

SP 17 model B



TM055375

SP 18**Kits****Wear parts 1.4301, LSR/NBR****SP 18**

| | Kit No | 92882554 | 92882612 | 92882635 | 92882636 | 92882637 | 92882638 | 92882639 |
|------|-----------------------|----------|----------|----------|----------|----------|----------|----------|
| Pos. | Number of stages | 1-5 | 6-12 | 13-19 | 20-30 | 31-40 | 41-50 | 51-60 |
| | Description | | | | | | | |
| 3 | Valve seat | 1 | 1 | 1 | 1 | 1 | 1 | 1 |
| 7 | Neck ring | 5 | 12 | 19 | 30 | 40 | 50 | 60 |
| 8 | Bearing | 5 | 12 | 19 | 30 | 40 | 50 | 60 |
| 8a | Spacing washer | 1 | 1 | 1 | 1 | 1 | 1 | 1 |
| 37 | O-ring | - | - | - | 1 | 1 | 1 | 1 |
| 72 | Wear ring | 5 | 12 | 19 | 30 | 40 | 50 | 60 |
| 142a | Bearing for valve cup | 1 | 1 | 1 | 1 | 1 | 1 | 1 |

Wear parts 1.4539, FKM**SP 18 N, SP 18 R**

| | Kit No | 92882640 | 92882641 | 92882642 | 92882643 | 92882645 | 92882646 | 92882647 |
|------|-----------------------|----------|----------|----------|----------|----------|----------|----------|
| Pos. | Number of stages | 1-5 | 6-12 | 13-19 | 20-30 | 31-40 | 41-50 | 51-60 |
| | Description | | | | | | | |
| 3 | Valve seat | 1 | 1 | 1 | 1 | 1 | 1 | 1 |
| 7 | Neck ring | 5 | 12 | 19 | 30 | 40 | 50 | 60 |
| 8 | Bearing | 5 | 12 | 19 | 30 | 40 | 50 | 60 |
| 8a | Spacing washer | 1 | 1 | 1 | 1 | 1 | 1 | 1 |
| 37 | O-ring | - | - | - | 1 | 1 | 1 | 1 |
| 72 | Wear ring | 5 | 12 | 19 | 30 | 40 | 50 | 60 |
| 142a | Bearing for valve cup | 1 | 1 | 1 | 1 | 1 | 1 | 1 |

Wear parts 1.4539, LSR/NBR**SP 18 N, SP 18 R**

| | Kit No | 92882648 | 92882649 | 92882650 | 92882651 | 92882652 | 92882653 | 92882654 |
|------|-----------------------|----------|----------|----------|----------|----------|----------|----------|
| Pos. | Number of stages | 1-5 | 6-12 | 13-19 | 20-30 | 31-40 | 41-50 | 51-60 |
| | Description | | | | | | | |
| 3 | Valve seat | 1 | 1 | 1 | 1 | 1 | 1 | 1 |
| 7 | Neck ring | 5 | 12 | 19 | 30 | 40 | 50 | 60 |
| 8 | Bearing | 5 | 12 | 19 | 30 | 40 | 50 | 60 |
| 8a | Spacing washer | 1 | 1 | 1 | 1 | 1 | 1 | 1 |
| 37 | O-ring | - | - | - | 1 | 1 | 1 | 1 |
| 72 | Wear ring | 5 | 12 | 19 | 30 | 40 | 50 | 60 |
| 142a | Bearing for valve cup | 1 | 1 | 1 | 1 | 1 | 1 | 1 |

Cable guard

Spare parts not shown in the table are available on request.

SP 18, SP 18 N, SP 18 R

| Number of stages | Motor size/diameter | Material version | |
|------------------|---------------------|------------------|------------------|
| | | 1.4301 | 1.4539 |
| | | SP 18 | SP 18 N, SP 18 R |
| 1 | 4" | 97936417 | 97936440 |
| 2 | 4" | 97936418 | 97936441 |
| 3 | 4" | 97936419 | 97936442 |
| 4 | 4" | 97936420 | 97936443 |
| 5 | 4" | 97936431 | 97936444 |
| 6 | 4" | 97936432 | 97936445 |
| 7 | 4" | 97936433 | 97936446 |

| Number of stages | Motor size/diameter | Material version | |
|------------------|---------------------|------------------|------------------|
| | | 1.4301 | 1.4539 |
| | | SP 18 | SP 18 N, SP 18 R |
| 8 | 4" | 97936434 | 97936447 |
| 9 | 4" | 97936435 | 97936448 |
| 10 | 4" | 97936436 | 97936449 |
| 11 | 4" | 97936437 | 97936450 |
| 12 | 4" | 97936438 | 97936451 |
| 13 | 4" | 97936439 | 97936452 |
| 5 | 6" | 97936453 | 97936489 |
| 6 | 6" | 97936454 | 97936490 |
| 7 | 6" | 97936455 | 97936491 |
| 8 | 6" | 97936456 | 97936492 |
| 9 | 6" | 97936457 | 97936493 |
| 10 | 6" | 97936458 | 97936494 |
| 11 | 6" | 97936459 | 97936495 |
| 12 | 6" | 97936460 | 97936496 |
| 13 | 6" | 97936461 | 97936497 |
| 14 | 6" | 97936462 | 97936498 |
| 15 | 6" | 97936463 | 97936499 |
| 16 | 6" | 97936464 | 97936500 |
| 17 | 6" | 97936465 | 97936501 |
| 18 | 6" | 97936466 | 97936502 |
| 19 | 6" | 97936467 | 97936503 |
| 20 | 6" | 97936468 | 97936504 |
| 21 | 6" | 97936469 | 97936505 |
| 22 | 6" | 97936470 | 97936506 |
| 23 | 6" | 97936471 | 97936507 |
| 24 | 6" | 97936472 | 97936508 |
| 25 | 6" | 97936473 | 97936509 |
| 26 | 6" | 97936474 | 97936510 |
| 27 | 6" | 97936475 | 97936511 |
| 28 | 6" | 97936476 | 97936512 |
| 29 | 6" | 97936477 | 97936513 |
| 30 | 6" | 97936478 | 97936514 |
| 31 | 6" | 97936479 | 97936515 |
| 32 | 6" | 97936480 | 97936516 |
| 33 | 6" | 97936481 | 97936517 |
| 34 | 6" | 97936482 | 97936518 |
| 35 | 6" | 97936483 | 97936519 |
| 36 | 6" | 97936484 | 97936520 |
| 37 | 6" | 97936485 | 97936521 |
| 38 | 6" | 97936486 | 97936522 |
| 39 | 6" | 97936487 | 97936523 |
| 40 | 6" | 97936488 | 97936524 |
| 27 | 6" large | 97936547 | 97936583 |
| 28 | 6" large | 97936548 | 97936584 |
| 29 | 6" large | 97936549 | 97936585 |
| 30 | 6" large | 97936550 | 97936586 |

Cable guard for pumps with sleeve

Spare parts not shown in the table are available on request.

SP 18, SP 18 N, SP 18 R

| Number of stages | Motor size/diameter | Material version | |
|------------------|---------------------|------------------|------------------|
| | | 1.4301 | 1.4539 |
| | | SP 18 | SP 18 N, SP 18 R |
| 33 | 6" sleeve | 97936597 | 97936610 |
| 36 | 6" sleeve | 97936598 | 97936611 |
| 39 | 6" sleeve | 97936599 | 97936612 |
| 42 | 6" sleeve | 97936600 | 97936613 |
| 43 | 6" sleeve | 97936601 | 97936614 |
| 45 | 6" sleeve | 97936602 | 97936615 |
| 48 | 6" sleeve | 97936603 | 97936616 |
| 50 | 6" sleeve | 97936604 | 97936617 |
| 51 | 6" sleeve | 97936605 | 97936618 |
| 53 | 6" sleeve | 97936606 | 97936619 |
| 55 | 6" sleeve | 97936607 | 97936620 |
| 58 | 6" sleeve | 97936608 | 97936621 |
| 60 | 6" sleeve | 97936609 | 97936622 |
| 45 | 8" sleeve | 97936623 | 97936626 |
| 48 | 8" sleeve | 97936624 | 97936627 |
| 50 | 8" sleeve | 97936625 | 97936628 |

Non-return valve

Spare parts not shown in the table are available on request.

SP 18, SP 18 N, SP 18 R

| Elastomer | Function | Material version | |
|-----------|-----------|------------------|------------------|
| | | 1.4401 | 1.4539 |
| | | SP 18 | SP 18 N, SP 18 R |
| NBR | - | 99104846 | 98689535 |
| NBR | With hole | - | 99104847 |
| FKM | - | 99104848 | 9910489 |
| FKM | With hole | - | 99104850 |

Spares**Top chamber cpl.****SP 18, SP 18 N, SP 18 R**

| Pos. | Type | Part number |
|------|----------------------------------|-------------|
| 4 | SP 18 1.4301 LSR/NBR | 92912182 |
| 4 | SP 18 N - SP 18 R 1.4539 LSR/NBR | 92912183 |
| 4 | SP 18 N - SP 18 R 1.4539 FKM | 92912185 |

Intermediate chamber cpl.**SP 18, SP 18 N, SP 18 R**

| Pos. | Type | Part number |
|------|----------------------------------|-------------|
| 9 | SP 18 1.4301 LSR/NBR | 92912161 |
| 9 | SP 18 N - SP 18 R 1.4539 LSR/NBR | 92912164 |
| 9 | SP 18 N - SP 18 R 1.4539 FKM | 92912168 |

Impeller w/split cone cpl.**SP 18, SP 18 N, SP 18 R**

| Pos. | Type | Part number |
|------|--------------------------|-------------|
| 13 | SP 18 1.4301 | 92912186 |
| 13 | SP 18 N - SP 18 R 1.4539 | 92912188 |

Shaft

Spare parts not shown in the table are available on request.

SP 18, SP 18 N, SP 18 R

| Number of stages | Motor size/diameter | Material version | |
|------------------|---------------------|------------------|------------------|
| | | 1.4301 | 1.4539 |
| | | SP 18 | SP 18 N, SP 18 R |
| 1 | 4" | 97945136 | 97945201 |
| 2 | 4" | 97945137 | 97945202 |
| 3 | 4" | 97945138 | 97945203 |
| 4 | 4" | 97945139 | 97945204 |
| 5 | 4" | 97945140 | 97945205 |
| 6 | 4" | 97945141 | 97945206 |
| 7 | 4" | 97945142 | 97945207 |
| 8 | 4" | 97945143 | 97945208 |
| 9 | 4" | 97945144 | 97945209 |
| 10 | 4" | 97945145 | 97945210 |
| 12 | 4" | 97945147 | - |
| 13 | 4" | 97945148 | 97945213 |
| 5 | 6" | 97945149 | - |
| 6 | 6" | 97945150 | 97945215 |
| 7 | 6" | 97945151 | 97945216 |
| 8 | 6" | 97945152 | 97945217 |
| 9 | 6" | 97945153 | 97945218 |
| 10 | 6" | 97945154 | 97945219 |
| 11 | 6" | 97945155 | 97945220 |
| 12 | 6" | 97945156 | 97945221 |
| 13 | 6" | 97945157 | 97945222 |
| 14 | 6" | 97945158 | 97945223 |
| 15 | 6" | 97945159 | 97945224 |
| 16 | 6" | 97945160 | 97945225 |
| 17 | 6" | 97945161 | 97945226 |
| 18 | 6" | 97945162 | 97945227 |
| 19 | 6" | 97945163 | 97945228 |
| 20 | 6" | 97945164 | 97945229 |
| 21 | 6" | 97945165 | 97945230 |
| 22 | 6" | 97945166 | 97945231 |
| 23 | 6" | 97945167 | 97945232 |
| 24 | 6" | 97945168 | - |
| 25 | 6" | 97945169 | 97945234 |
| 26 | 6" | 97945170 | 97945235 |
| 27 | 6" | 97945171 | 97945236 |
| 28 | 6" | 97945172 | - |
| 29 | 6" | 97945173 | 97945238 |
| 30 | 6" | 97945174 | 97945239 |
| 31 | 6" | - | 97945240 |
| 32 | 6" | - | 97945241 |
| 33 | 6" | 97945177 | - |
| 36 | 6" | - | 97945245 |
| 37 | 6" | 97945181 | - |
| 38 | 6" | - | 97945247 |
| 39 | 6" | 97945183 | - |
| 40 | 6" | 97945184 | 97945249 |
| 45 | 6" sleeve | 97945190 | - |
| 48 | 6" sleeve | 97945191 | - |
| 51 | 6" sleeve | - | 97945258 |
| 53 | 6" sleeve | 97945194 | - |

Strap

Spare parts not shown in the table are available on request.

SP 18, SP 18 N, SP 18 R

| Number of stages | Thread size | Material version | |
|------------------|-------------|------------------|------------------|
| | | 1.4301 | 1.4539 |
| | | SP 18 | SP 18 N, SP 18 R |
| 2 | M10 | - | 97937061 |
| 3 | M10 | 97937012 | 97937062 |
| 4 | M10 | 97937013 | - |
| 5 | M10 | - | 97937064 |
| 6 | M10 | - | 97937065 |
| 7 | M10 | 97937016 | - |
| 8 | M10 | 97937017 | - |
| 9 | M10 | 97937018 | 97937068 |
| 10 | M10 | 97937019 | 97937069 |
| 11 | M10 | - | 97937070 |
| 12 | M10 | 97937021 | 97937071 |
| 13 | M10 | 97937022 | 97937072 |
| 3 | M12 | - | 98564647 |
| 5 | M12 | - | 98564649 |
| 6 | M12 | - | 98564650 |
| 9 | M12 | 98564642 | - |
| 10 | M12 | 98564643 | - |
| 12 | M12 | - | 98564656 |
| 13 | M12 | 98564646 | - |
| 14 | M12 | 97937023 | 97937073 |
| 16 | M12 | - | 97937075 |
| 17 | M12 | 97937026 | 97937076 |
| 20 | M12 | 97937029 | 97937079 |
| 21 | M12 | - | 97937080 |
| 22 | M12 | 97937031 | 97937081 |
| 24 | M12 | 97937033 | - |
| 26 | M12 | - | 97937085 |
| 27 | M12 | 97937036 | 97937086 |
| 32 | M12 | - | 97937091 |
| 40 | M12 | - | 97937099 |

Valve casing

Spare parts not shown in the table are available on request.

SP 18, SP 18 N, SP 18 R

| Thread | Function | Material version | |
|--------|-----------|------------------|------------------|
| | | 1.4301 | 1.4539 |
| | | SP 18 | SP 18 N, SP 18 R |
| Rp2½ | - | 97937787 | 97937788 |
| Rp2½ | Relieved | 97937801 | 97937802 |
| Rp3 | - | 97937789 | 97937790 |
| Rp3 | Relieved | 97937803 | 97937804 |
| 3"NPT | - | 97937791 | 97937792 |
| R3 | With pipe | 97937815 | 97937825 |

Bulks**Intermediate chamber****SP 18, SP 18 N, SP 18 R**

| Pos. | Type | Description | Part number |
|------|---------------------------------|-----------------|-------------|
| 9 | SP 18 1.4301 LSR/NBR | Chamber, 5 pcs. | 92912208 |
| 9 | SP 18 N, SP 18 R 1.4539 LSR/NBR | Chamber, 5 pcs. | 92912214 |
| 9 | SP 18 N, SP 18 R 1.4539 FKM | Chamber, 5 pcs. | 92912216 |

Impeller**SP 18, SP 18 N, SP 18 R**

| Pos. | Type | Description | Part number |
|------|-------------------------|------------------|-------------|
| 13 | SP 18 1.4301 | Impeller, 5 pcs. | 92912220 |
| 13 | SP 18 N, SP 18 R 1.4539 | Impeller, 5 pcs. | 92912223 |

Wear ring**SP 18, SP 18 N, SP 18 R**

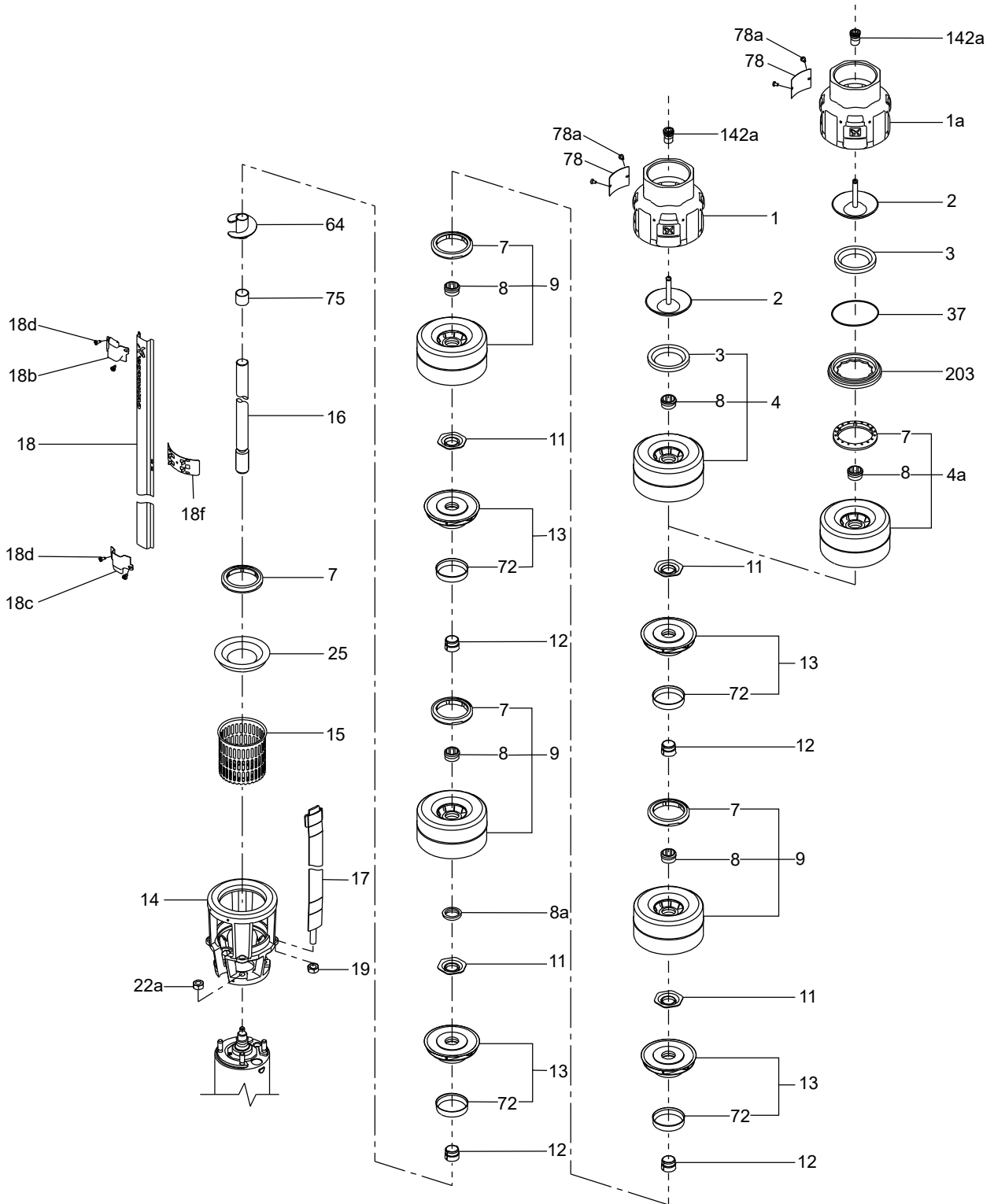
| Pos. | Type | Description | Part number |
|------|-------------------------|--------------------|-------------|
| 72 | SP 18 1.4301 | Wear ring, 10 pcs. | 92912224 |
| 72 | SP 18 N, SP 18 R 1.4539 | Wear ring, 10 pcs. | 92912226 |

Cable termination (shrink-flex)

See the SP data booklet.

SP 18

SP



TM083264

SP 30 model A

Wear parts

SP 30, SP 30 N, SP 30 R

| Pos. | Pump type | SP 30, SP 30 N, SP 30 R | | | | |
|------|--------------------|-------------------------|----------|----------|----------|----------|
| | Kit No | 96421732 | 96421733 | 96421734 | 96440246 | 96488047 |
| | Number of stages | 1-5 | 6-16 | 17-27 | 28-39 | 40-54 |
| | Description | | | | | |
| 3 | Valve seat | 1 | 1 | 1 | 1 | - |
| 6 | Top bearing | 1 | 1 | 1 | 1 | 1 |
| 6b | Lower bearing | 1 | 1 | 1 | 1 | 1 |
| 7 | Neck ring | 5 | 16 | 27 | 39 | 54 |
| 8 | Bearing | 3 | 14 | 25 | 37 | 52 |
| 8a | Spacing washer | 1 | 1 | 1 | 1 | 1 |
| 8b | Stop ring | 1 | 1 | 1 | 1 | 1 |
| 25 | Neck ring retainer | 1 | 1 | 1 | 1 | 1 |
| 72 | Wear ring | 5 | 16 | 27 | 39 | 54 |

Impeller

| Pos. | Pump type | SP 30 | SP 30 N | SP 30 R |
|-------------------|----------------------------------|----------|----------|----------|
| | Kit No | 97506691 | 96903205 | 96903206 |
| | Description | | | |
| 11, 12, 13, 72 | Impeller with split cone and nut | 1 | 1 | 1 |

Split cone with nut

| Pos. | Pump type | SP 30 | SP 30 N | SP 30 R |
|------|----------------|----------|----------|----------|
| | Kit No | 97509658 | 96901972 | 96901973 |
| | Description | | | |
| 11 | Split cone nut | 1 | 1 | 1 |
| 12 | Split cone | 1 | 1 | 1 |

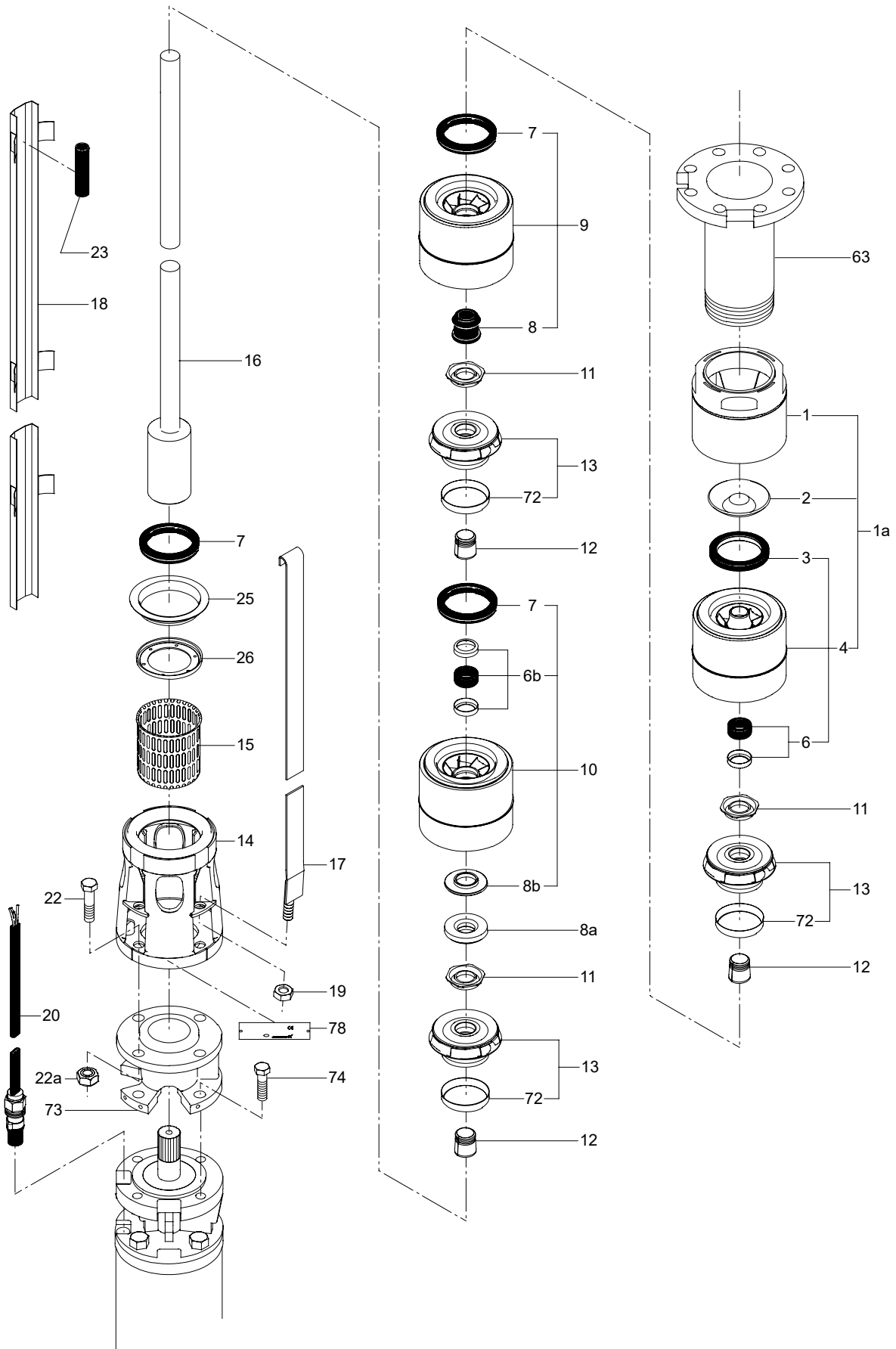
Split cone with stop nut

| Pos. | Pump type | SP 30 | SP 30 N | SP 30 R |
|------|------------------------------|----------|----------|----------|
| | Kit No | 97509673 | 96901980 | 96901981 |
| | Description | | | |
| 11 | Split cone nut | 1 | 1 | 1 |
| 12 | Split cone | 1 | 1 | 1 |
| - | Spacing washer for stop ring | 1 | 1 | 1 |

Cable termination (shrink-flex)

See the SP data booklet.

SP 30 model A



TM012259

SP 30 model B**Wear parts, NBR****SP30, SP 30 N, SP 30 R**

| | Kit No | 97945522 | 97937877 | 97937878 | 97937879 | 97937880 |
|------|------------------------|----------|----------|----------|----------|----------|
| Pos. | Number of stages | 1-5 | 6-15 | 16-27 | 28-39 | 40-54 |
| | Description | | | | | |
| 3 | Valve seat | 1 | 1 | 1 | 1 | 1 |
| 6b | Bottom bearing | 1 | 1 | 1 | 1 | 1 |
| 6b | Bearing cup | 2 | 2 | 2 | 2 | 2 |
| 7 | Neck ring | 5 | 15 | 27 | 39 | 54 |
| 8 | Bearing | 4 | 14 | 26 | 38 | 53 |
| 8a | Spacing washer | 1 | 1 | 1 | 1 | 1 |
| 8b | Stop ring | 1 | 1 | 1 | 1 | 1 |
| 25 | Retainer for neck ring | 1 | 1 | 1 | 1 | 1 |
| 37 | O-ring | - | - | 1 | 1 | 1 |
| 72 | Wear ring | 5 | 15 | 27 | 39 | 54 |
| 142a | Bearing for valve cup | 1 | 1 | 1 | 1 | 1 |

Wear parts, FKM**SP30, SP 30 N, SP 30 R**

| | Kit No | 97937898 | 97937899 | 97937900 | 97937901 | 97937902 |
|------|------------------------|----------|----------|----------|----------|----------|
| Pos. | Number of stages | 1-5 | 6-15 | 16-27 | 28-39 | 40-54 |
| | Description | | | | | |
| 3 | Valve seat | 1 | 1 | 1 | 1 | 1 |
| 6b | Bottom bearing | 1 | 1 | 1 | 1 | 1 |
| 6b | Bearing cup | 2 | 2 | 2 | 2 | 2 |
| 7 | Neck ring | 5 | 15 | 27 | 39 | 54 |
| 8 | Bearing | 4 | 14 | 26 | 38 | 53 |
| 8a | Spacing washer | 1 | 1 | 1 | 1 | 1 |
| 8b | Stop ring | 1 | 1 | 1 | 1 | 1 |
| 25 | Retainer for neck ring | 1 | 1 | 1 | 1 | 1 |
| 37 | O-ring | - | - | 1 | 1 | 1 |
| 72 | Wear ring | 5 | 15 | 27 | 39 | 54 |
| 142a | Bearing for valve cup | 1 | 1 | 1 | 1 | 1 |

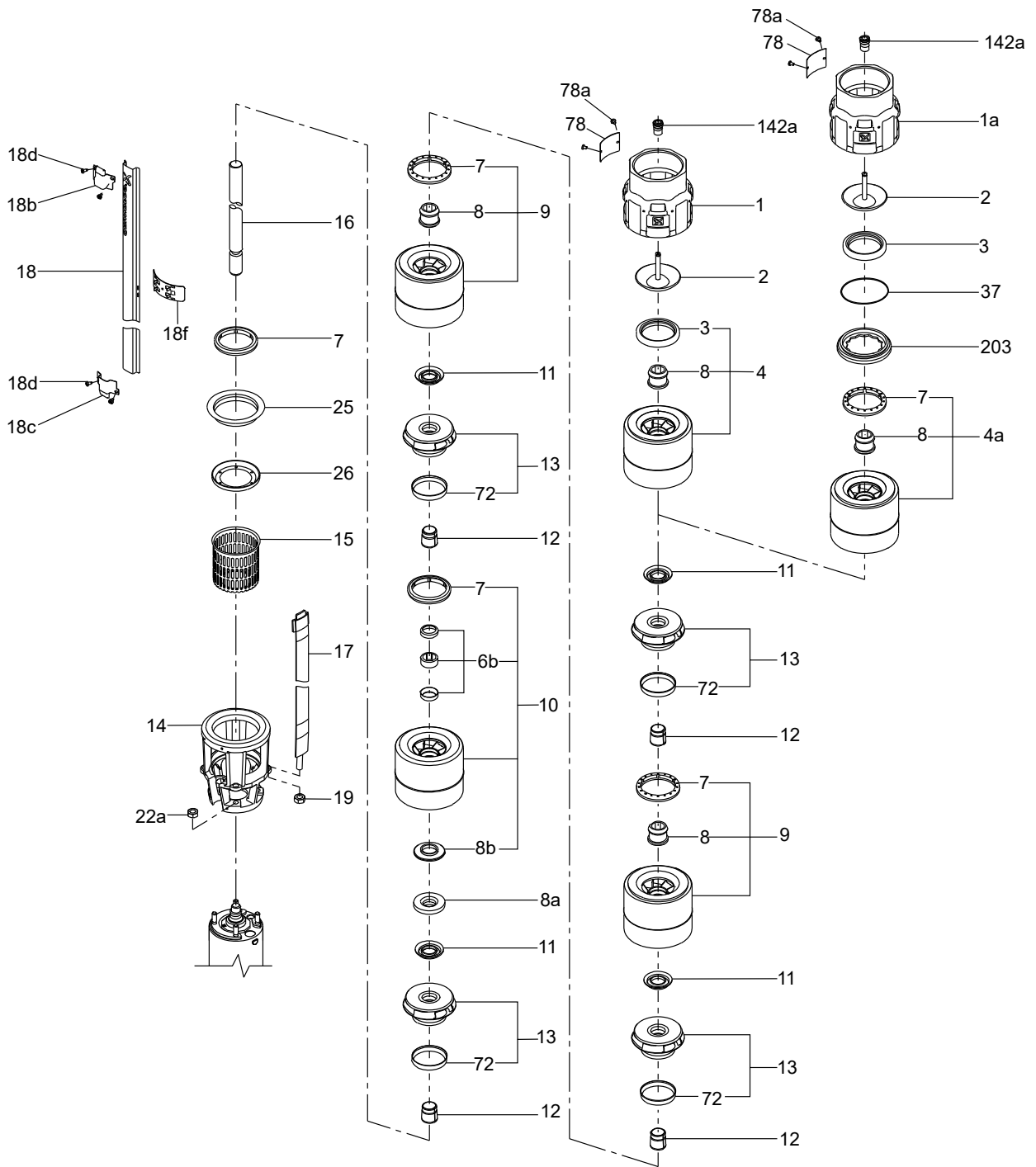
Wear parts, Wear resistant bearing**SP30, SP 30 N, SP 30 R**

| | Kit No | 98098314 | 98098315 | 98098316 | 98098317 | 98098318 |
|------|------------------------|----------|----------|----------|----------|----------|
| Pos. | Number of stages | 1-5 | 6-15 | 16-27 | 28-39 | 40-54 |
| | Description | | | | | |
| 3 | Valve seat | 1 | 1 | 1 | 1 | 1 |
| 6b | Bottom bearing | 1 | 1 | 1 | 1 | 1 |
| 6b | Bearing cup | 2 | 2 | 2 | 2 | 2 |
| 7 | Neck ring | 5 | 15 | 27 | 39 | 54 |
| 8 | Bearing | 4 | 14 | 26 | 38 | 53 |
| 8a | Spacing washer | 1 | 1 | 1 | 1 | 1 |
| 8b | Stop ring | 1 | 1 | 1 | 1 | 1 |
| 25 | Retainer for neck ring | 1 | 1 | 1 | 1 | 1 |
| 37 | O-ring | - | - | 1 | 1 | 1 |
| 72 | Wear ring | 5 | 15 | 27 | 39 | 54 |
| 142a | Bearing for valve cup | 1 | 1 | 1 | 1 | 1 |

Cable termination (shrink-flex)

See the SP data booklet.

SP 30 model B



TM055374

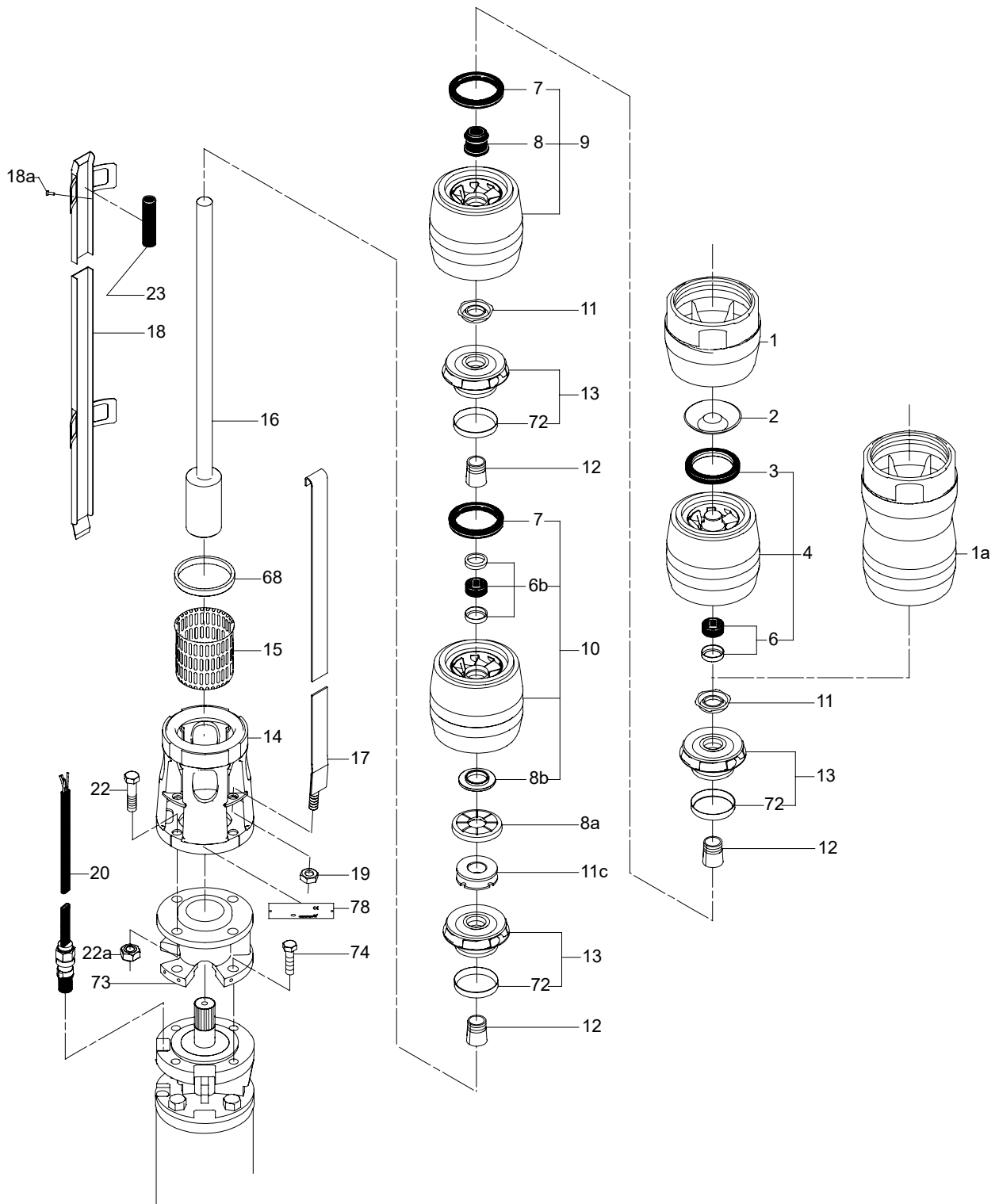
SP 46 model A**Wear parts****SP 46, SP 46 N, SP 46 R**

| | Kit No | 96440248 | 96440250 | 96440252 | 96440254 | 96488048 |
|------|-------------------|----------|----------|----------|----------|----------|
| Pos. | Number of stages | 1-6 | 7-10 | 11-16 | 17-24 | 25-37 |
| | Description | | | | | |
| 3 | Valve seat | 1 | 1 | 1 | 1 | - |
| 6 | Top bearing | 1 | 1 | 1 | 1 | 1 |
| 6b | Lower bearing | 1 | 1 | 1 | 1 | 1 |
| 7 | Neck ring | 5 | 9 | 15 | 23 | 35 |
| 8 | Bearing | 4 | 8 | 14 | 22 | 35 |
| 8a | Spacing washer | 1 | 1 | 1 | 1 | 1 |
| 8b | Stop ring | 1 | 1 | 1 | 1 | 1 |
| 11c | Nut for stop ring | 1 | 1 | 1 | 1 | 1 |
| 68 | Bottom neck ring | 1 | 1 | 1 | 1 | 1 |
| 72 | Wear ring | 6 | 10 | 16 | 24 | 37 |

Cable termination (shrink-flex)

See the SP data booklet.

SP 46 model A



TM005474

SP 46 model B**Wear parts, NBR****SP 46, SP 46 N, SP 46 R**

| Kit No | | 97937881 | 97937882 | 97937883 | 97937884 | 97937885 |
|-------------|-----------------------|----------|----------|----------|----------|----------|
| Pos. | Number of stages | 1-6 | 7-12 | 13-18 | 19-24 | 25-37 |
| Description | | | | | | |
| 3 | Valve seat | 1 | 1 | 1 | 1 | 1 |
| 6b | Bottom bearing | 1 | 1 | 1 | 1 | 1 |
| 6b | Bearing cup | 2 | 2 | 2 | 2 | 2 |
| 7 | Neck ring | 5 | 11 | 17 | 23 | 36 |
| 8 | Bearing | 5 | 11 | 17 | 23 | 36 |
| 8a | Spacing washer | 1 | 1 | 1 | 1 | 1 |
| 8b | Stop ring | 1 | 1 | 1 | 1 | 1 |
| 11c | Nut for stop ring | 1 | 1 | 1 | 1 | 1 |
| 37 | O-ring | - | - | 1 | 1 | 1 |
| 68 | Lower neck ring | 1 | 1 | 1 | 1 | 1 |
| 72 | Wear ring | 6 | 12 | 18 | 24 | 37 |
| 142a | Bearing for valve cup | 1 | 1 | 1 | 1 | 1 |

Wear parts, FKM**SP 46, SP 46 N, SP 46 R**

| Kit No | | 97937903 | 97937904 | 97937905 | 97937906 | 97937907 |
|-------------|-----------------------|----------|----------|----------|----------|----------|
| Pos. | Number of stages | 1-6 | 7-12 | 13-18 | 19-24 | 25-37 |
| Description | | | | | | |
| 3 | Valve seat | 1 | 1 | 1 | 1 | 1 |
| 6b | Bottom bearing | 1 | 1 | 1 | 1 | 1 |
| 6b | Bearing cup | 2 | 2 | 2 | 2 | 2 |
| 7 | Neck ring | 5 | 11 | 17 | 23 | 35 |
| 8 | Bearing | 5 | 11 | 17 | 23 | 36 |
| 8a | Spacing washer | 1 | 1 | 1 | 1 | 1 |
| 8b | Stop ring | 1 | 1 | 1 | 1 | 1 |
| 11c | Nut for stop ring | 1 | 1 | 1 | 1 | 1 |
| 37 | O-ring | - | - | 1 | 1 | 1 |
| 68 | Lower neck ring | 1 | 1 | 1 | 1 | 1 |
| 72 | Wear ring | 6 | 12 | 18 | 24 | 37 |
| 142a | Bearing for valve cup | 1 | 1 | 1 | 1 | 1 |

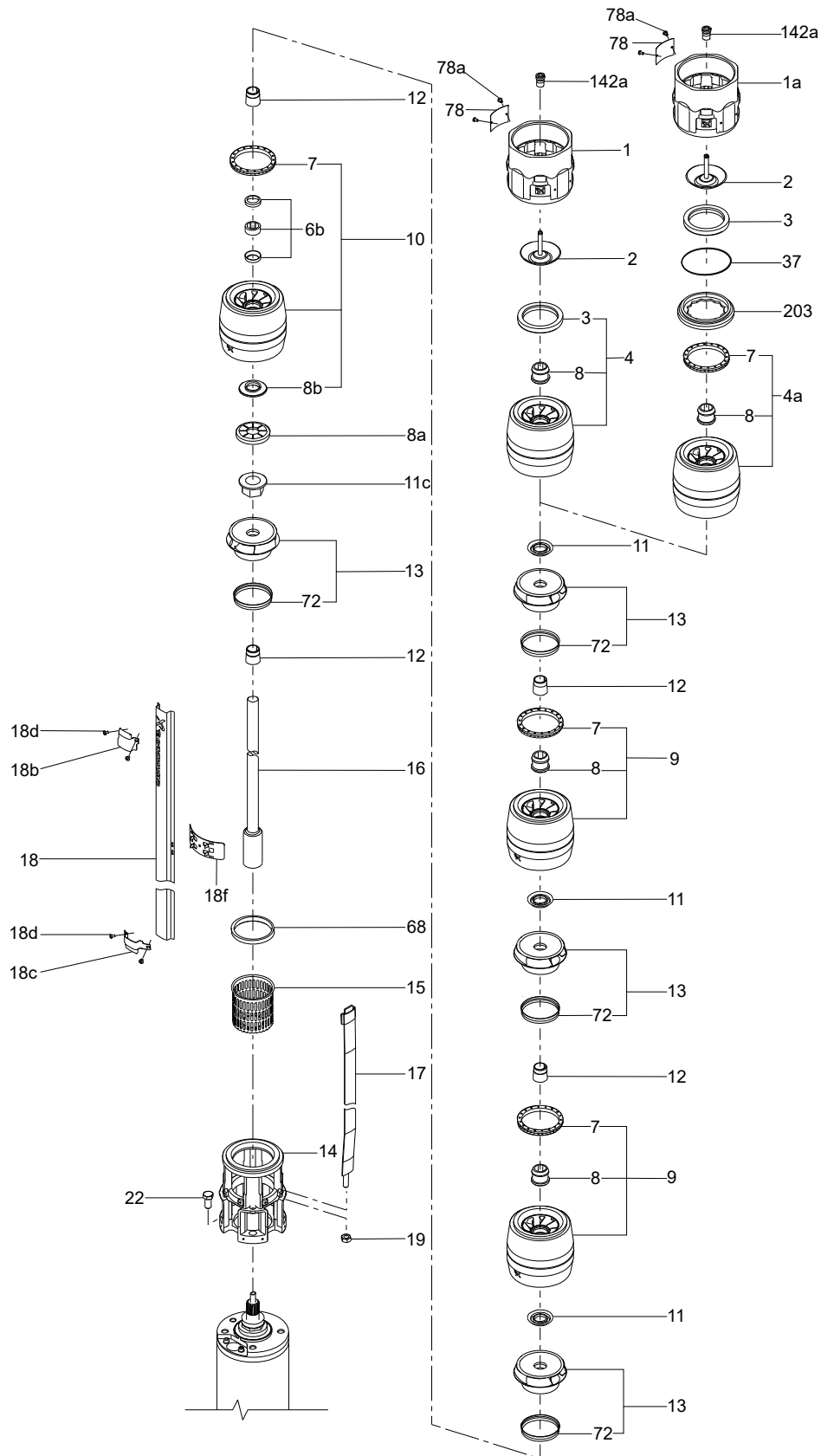
Wear parts, wear-resistant bearing**SP 46, SP 46 N, SP 46 R**

| Kit No | | 98098319 | 98098320 | 98098321 | 98098322 | 98098323 |
|-------------|-----------------------|----------|----------|----------|----------|----------|
| Pos. | Number of stages | 1-6 | 7-12 | 13-18 | 19-24 | 25-37 |
| Description | | | | | | |
| 3 | Valve seat | 1 | 1 | 1 | 1 | 1 |
| 6b | Bottom bearing | 1 | 1 | 1 | 1 | 1 |
| 6b | Bearing cup | 2 | 2 | 2 | 2 | 2 |
| 7 | Neck ring | 5 | 11 | 17 | 23 | 36 |
| 8 | Bearing | 5 | 11 | 17 | 23 | 36 |
| 8a | Spacing washer | 1 | 1 | 1 | 1 | 1 |
| 8b | Stop ring | 1 | 1 | 1 | 1 | 1 |
| 11c | Nut for stop ring | 1 | 1 | 1 | 1 | 1 |
| 37 | O-ring | - | - | 1 | 1 | 1 |
| 68 | Lower neck ring | 1 | 1 | 1 | 1 | 1 |
| 72 | Wear ring | 6 | 12 | 18 | 24 | 37 |
| 142a | Bearing for valve cup | 1 | 1 | 1 | 1 | 1 |

Cable termination (shrink-flex)

See the SP data booklet.

SP 46 model B



TM055235

SP 60 model A**Wear parts****SP 60, SP 60 N, SP 60 R**

| | Kit No | 96440369 | 96440371 | 96440373 | 96440375 | 96488049 |
|------|-------------------|----------|----------|----------|----------|----------|
| Pos. | Number of stages | 1-6 | 7-10 | 11-16 | 17-22 | 23-30 |
| | Description | | | | | |
| 3 | Valve seat | 1 | 1 | 1 | - | - |
| 6 | Top bearing | 1 | 1 | 1 | - | 1 |
| 6b | Lower bearing | 1 | 1 | 1 | 1 | 1 |
| 7 | Neck ring | 5 | 9 | 15 | 21 | 29 |
| 8 | Bearing | 4 | 8 | 14 | 20 | 28 |
| 8a | Spacing washer | 1 | 1 | 1 | 1 | 1 |
| 8b | Stop ring | 1 | 1 | 1 | 1 | 1 |
| 11c | Nut for stop ring | 1 | 1 | 1 | 1 | 1 |
| 68 | Bottom neck ring | 1 | 1 | 1 | 1 | 1 |
| 72 | Wear ring | 6 | 10 | 16 | 22 | 30 |

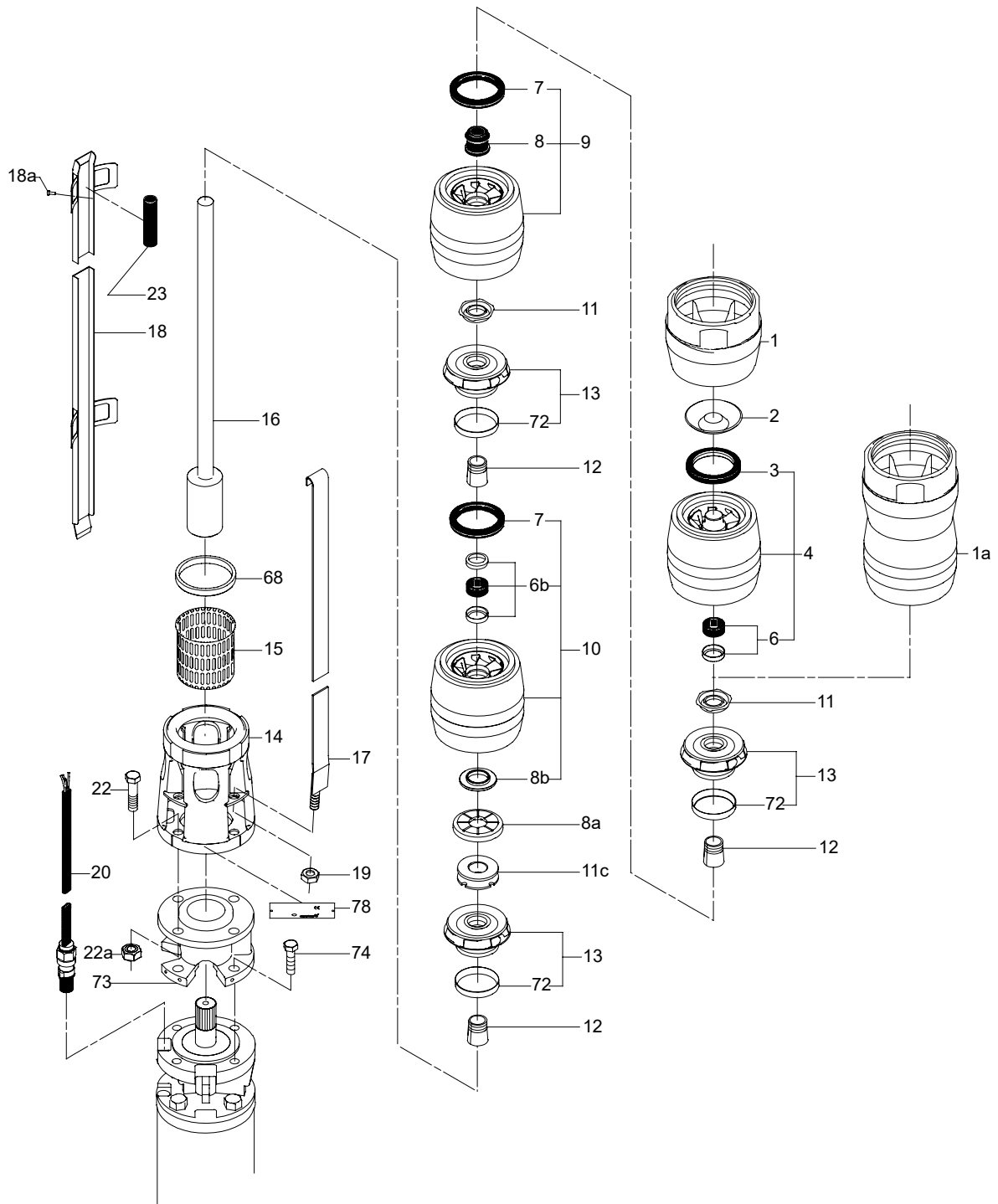
Wear parts**SP 60 NES**

| | Kit No | 96440370 | 96440372 | 96440374 | 96440376 |
|------|-------------------|----------|----------|----------|----------|
| Pos. | Number of stages | 1-6 | 7-10 | 11-16 | 17-22 |
| | Description | | | | |
| 3 | Valve seat | 1 | 1 | 1 | - |
| 6 | Top bearing | 1 | 1 | 1 | - |
| 6b | Lower bearing | 1 | 1 | 1 | 1 |
| 7 | Neck ring | 5 | 9 | 15 | 21 |
| 8 | Bearing | 4 | 8 | 14 | 20 |
| 8a | Spacing washer | 1 | 1 | 1 | 1 |
| 8b | Stop ring | 1 | 1 | 1 | 1 |
| 11c | Nut for stop ring | 1 | 1 | 1 | 1 |
| 68 | Bottom neck ring | 1 | 1 | 1 | 1 |
| 72 | Wear ring | 6 | 10 | 16 | 22 |

Cable termination (shrink-flex)

See the SP data booklet.

SP 60 model A



TM005474

SP 60 model B**Wear parts, NBR****SP 60, SP 60 N, SP 60 R**

| | Kit No | 97937886 | 97937887 | 97937888 | 97937889 | 97937890 |
|------|-----------------------|----------|----------|----------|----------|----------|
| Pos. | Number of stages | 1-6 | 7-12 | 13-18 | 19-24 | 25-30 |
| | Description | | | | | |
| 3 | Valve seat | 1 | 1 | 1 | 1 | 1 |
| 6b | Bottom bearing | 1 | 1 | 1 | 1 | 1 |
| 6b | Bearing cup | 2 | 2 | 2 | 2 | 2 |
| 7 | Neck ring | 5 | 11 | 17 | 23 | 29 |
| 8 | Bearing | 5 | 11 | 17 | 23 | 29 |
| 8a | Spacing washer | 1 | 1 | 1 | 1 | 1 |
| 8b | Stop ring | 1 | 1 | 1 | 1 | 1 |
| 11c | Nut for stop ring | 1 | 1 | 1 | 1 | 1 |
| 37 | O-ring | - | - | 1 | 1 | 1 |
| 68 | Lower neck ring | 1 | 1 | 1 | 1 | 1 |
| 72 | Wear ring | 6 | 12 | 18 | 24 | 30 |
| 142a | Bearing for valve cup | 1 | 1 | 1 | 1 | 1 |

Wear parts, FKM**SP 60, SP 60 N, SP 60 R**

| | Kit No | 97937908 | 97937909 | 97937910 | 97937911 | 97937912 |
|------|-----------------------|----------|----------|----------|----------|----------|
| Pos. | Number of stages | 1-6 | 7-12 | 13-18 | 19-24 | 25-30 |
| | Description | | | | | |
| 3 | Valve seat | 1 | 1 | 1 | 1 | 1 |
| 6b | Bottom bearing | 1 | 1 | 1 | 1 | 1 |
| 6b | Bearing cup | 2 | 2 | 2 | 2 | 2 |
| 7 | Neck ring | 5 | 11 | 17 | 23 | 29 |
| 8 | Bearing | 5 | 11 | 17 | 23 | 29 |
| 8a | Spacing washer | 1 | 1 | 1 | 1 | 1 |
| 8b | Stop ring | 1 | 1 | 1 | 1 | 1 |
| 11c | Nut for stop ring | 1 | 1 | 1 | 1 | 1 |
| 37 | O-ring | - | - | 1 | 1 | 1 |
| 68 | Lower neck ring | 1 | 1 | 1 | 1 | 1 |
| 72 | Wear ring | 6 | 12 | 18 | 24 | 30 |
| 142a | Bearing for valve cup | 1 | 1 | 1 | 1 | 1 |

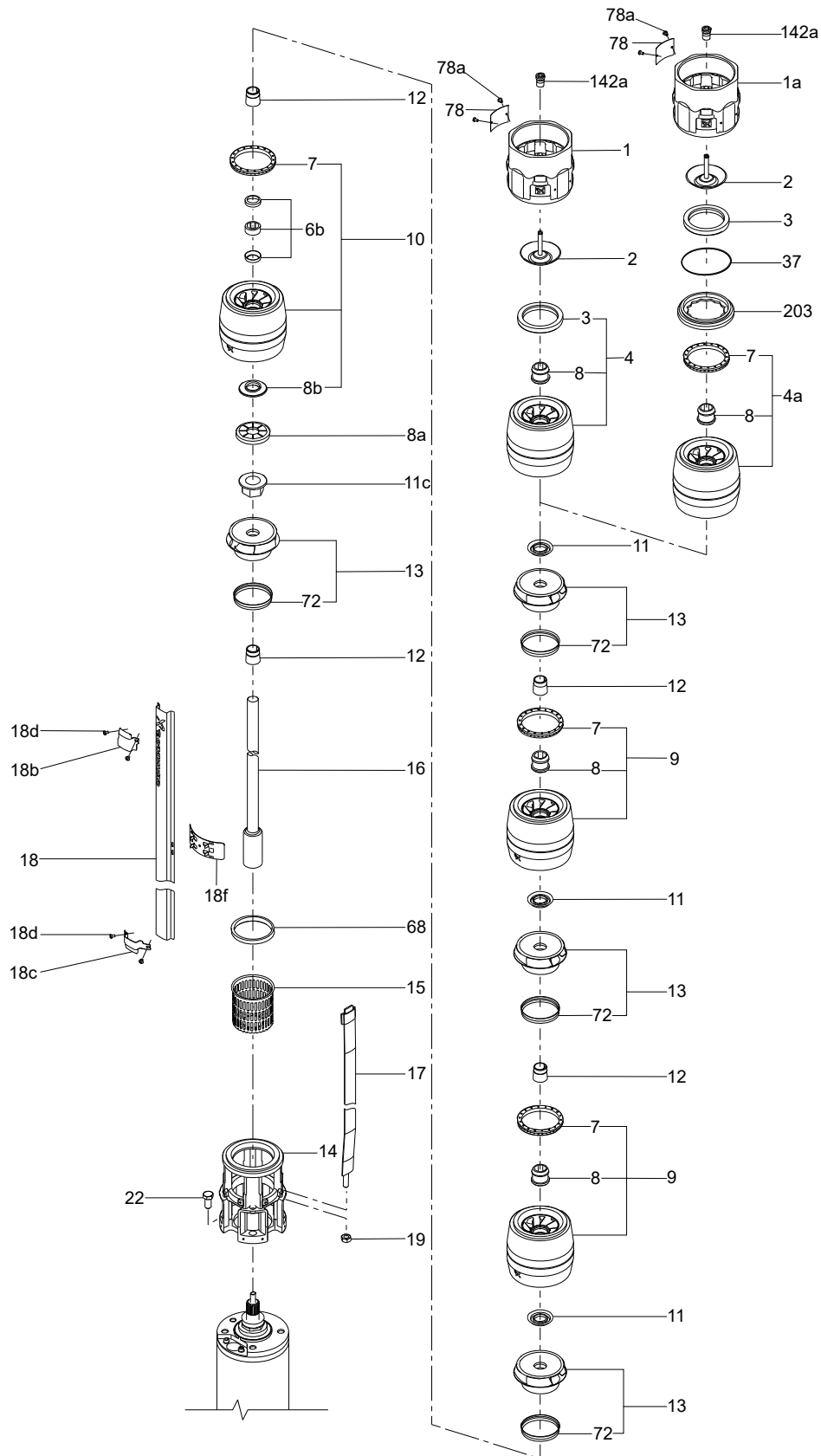
Wear parts, wear-resistant bearing**SP 60, SP 60 N, SP 60 R**

| | Kit No | 98098324 | 98098325 | 98098326 | 98098327 | 98098328 |
|------|-----------------------|----------|----------|----------|----------|----------|
| Pos. | Number of stages | 1-6 | 7-12 | 13-18 | 19-24 | 25-30 |
| | Description | | | | | |
| 3 | Valve seat | 1 | 1 | 1 | 1 | 1 |
| 6b | Bottom bearing | 1 | 1 | 1 | 1 | 1 |
| 6b | Bearing cup | 2 | 2 | 2 | 2 | 2 |
| 7 | Neck ring | 5 | 11 | 17 | 23 | 29 |
| 8 | Bearing | 5 | 11 | 17 | 23 | 29 |
| 8a | Spacing washer | 1 | 1 | 1 | 1 | 1 |
| 8b | Stop ring | 1 | 1 | 1 | 1 | 1 |
| 11c | Nut for stop ring | 1 | 1 | 1 | 1 | 1 |
| 37 | O-ring | - | - | 1 | 1 | 1 |
| 68 | Lower neck ring | 1 | 1 | 1 | 1 | 1 |
| 72 | Wear ring | 6 | 12 | 18 | 24 | 30 |
| 142a | Bearing for valve cup | 1 | 1 | 1 | 1 | 1 |

Cable termination (shrink-flex)

See the SP data booklet.

SP 60 model B



TM055235

SP 77 model C, SP 95 model B

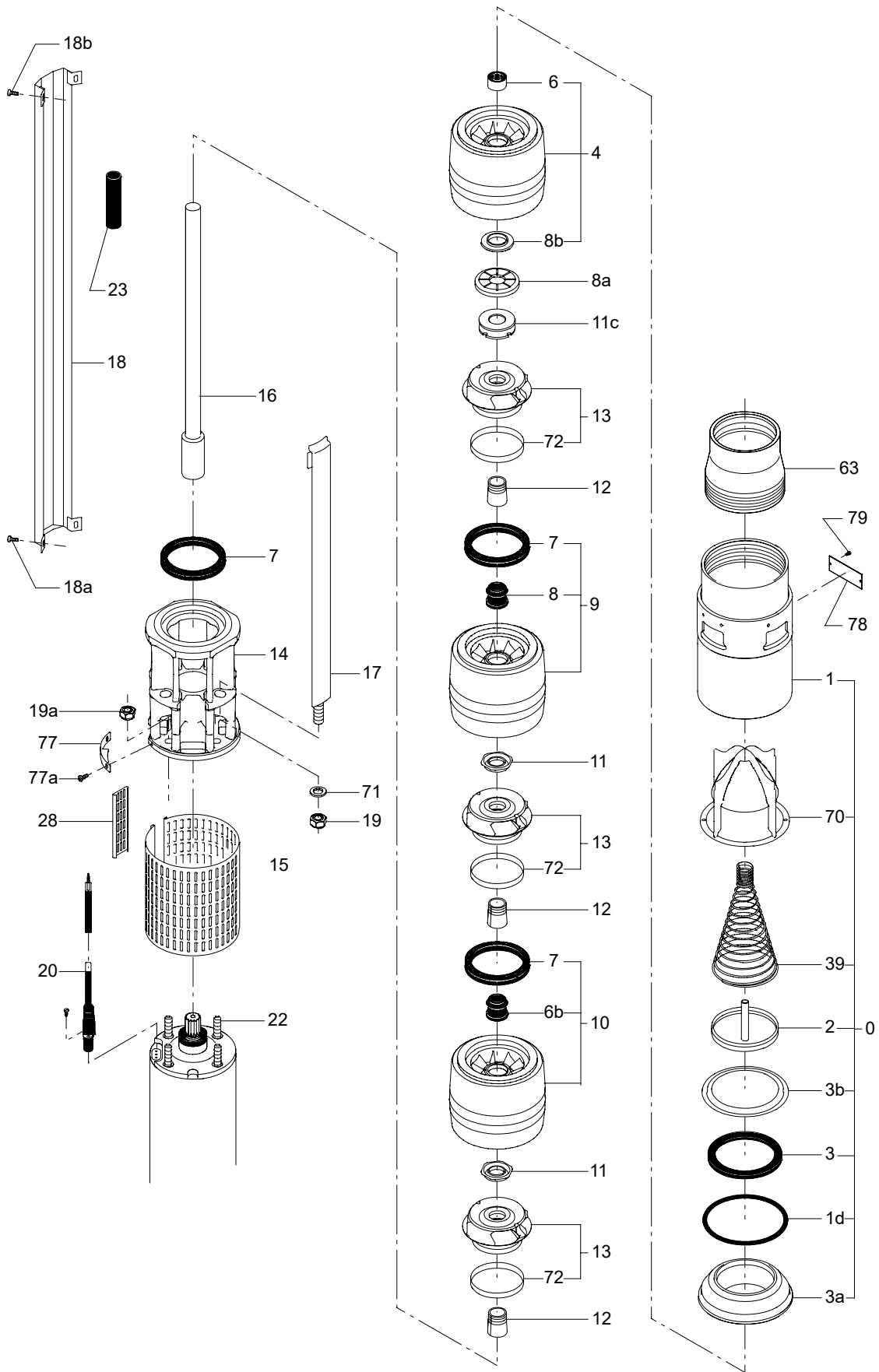
Wear parts

| Pos. | Pump type Kit No | SP 77, SP 77 N, SP 77 R | | | SP 95, SP 95 N, SP 95 R | | |
|------|--------------------------------|-------------------------|----------|----------|-------------------------|----------|----------|
| | | 96440256 | 96440258 | 96440260 | 96440715 | 96440716 | 96440717 |
| | Description / number of stages | 1-8 | 9-14 | 15-22 | 1-8 | 9-14 | 15-20 |
| 1d | O-ring | 1 | 1 | 1 | 1 | 1 | 1 |
| 3 | Valve seat | 1 | 1 | 1 | 1 | 1 | 1 |
| 6 | Bearing | 1 | 1 | 1 | 1 | 1 | 1 |
| 7 | Neck ring | 7 | 13 | 21 | 7 | 13 | 19 |
| 8 | Bearing | 7 | 13 | 21 | 7 | 13 | 19 |
| 8a | Spacing washer | 1 | 1 | 1 | 1 | 1 | 1 |
| 8b | Stop ring | 1 | 1 | 1 | 1 | 1 | 1 |
| 11c | Nut for stop ring | 1 | 1 | 1 | 1 | 1 | 1 |
| 72 | Wear ring | 8 | 14 | 22 | 8 | 14 | 20 |

Cable termination (shrink-flex)

See the SP data booklet.

SP 77 model C, SP 95 model B



TM012358

SP 125 model C, D**50/60 Hz****Impeller**

| | Pump type | SP 125 | SP 125 N | SP 125 R |
|-------------------|-------------------|--------------------------|--------------------------|--------------------------|
| Pos. | Kit No | 97506694 | 96903234 | 96903235 |
| | Description | | | |
| 11, 12, 13, 72 | Impeller complete | 1 | 1 | 1 |

Reduced-impeller

| | Pump type | SP 125 | SP 125 N | SP 125 R |
|-------------------|---------------------------|--------------------------|--------------------------|--------------------------|
| Pos. | Kit No | 97506727 | 96907105 | 96907107 |
| | Description | | | |
| 11, 12, 13, 72 | Reduced impeller complete | 1 | 1 | 1 |

Split cone with nut

| | Pump type | SP 125 | SP 125 N | SP 125 R |
|------|----------------|--------------------------|--------------------------|--------------------------|
| Pos. | Kit No | 96903149 | 96903149 | 96903172 |
| | Description | | | |
| 11 | Split cone nut | 1 | 1 | 1 |
| 12 | Split cone | 1 | 1 | 1 |

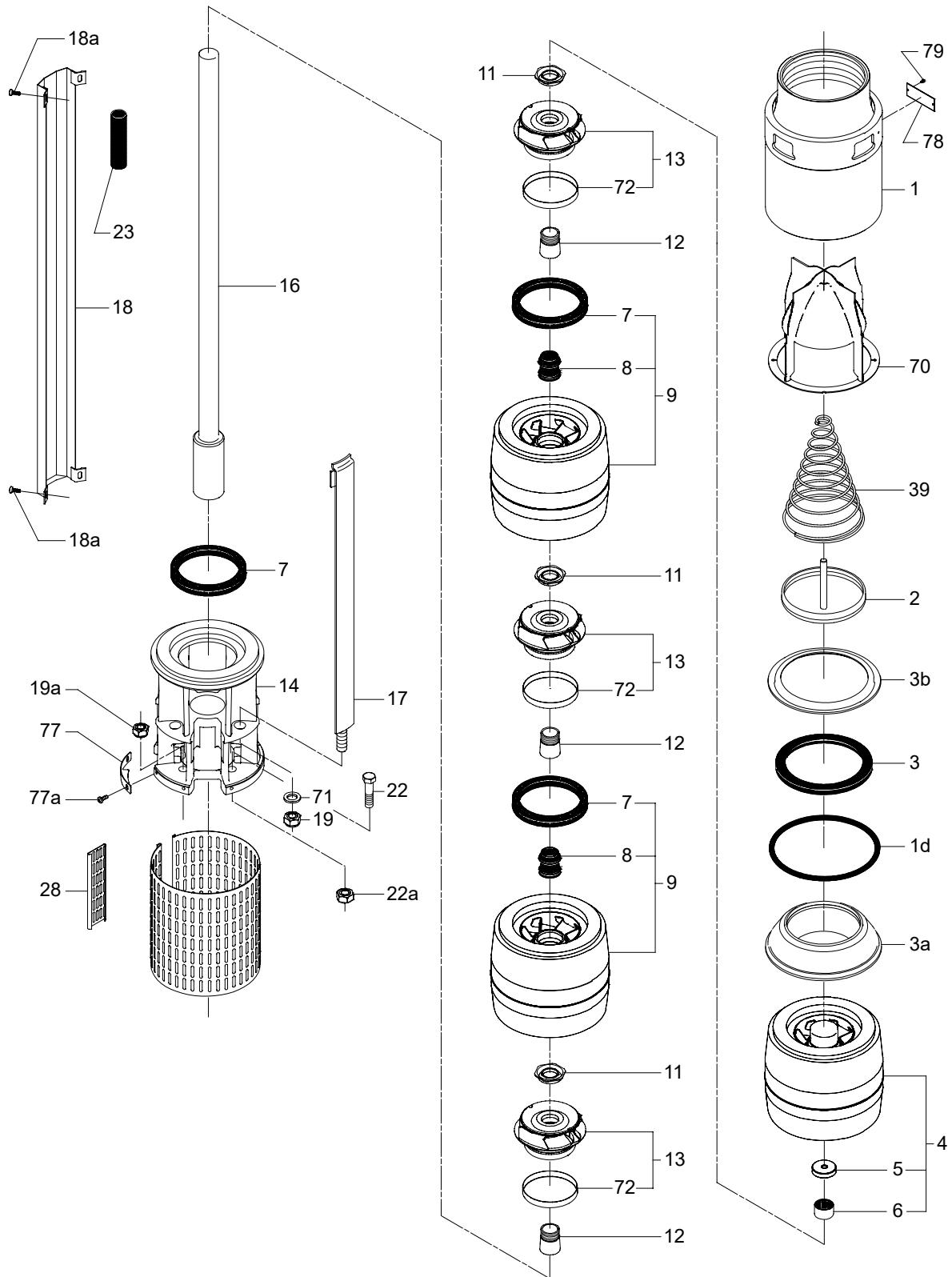
Wear parts**SP 125, SP 125 N, SP 125 R**

| Pos. | Kit No | 96440262 | 96440264 | 96440266 | 96488080 |
|------|--------------------------------|--------------------------|--------------------------|--------------------------|--------------------------|
| | Description / number of stages | 1-4 | 5-6 | 7-10 | 11-17 |
| 1d | O-ring | 1 | 1 | 1 | 1 |
| 3 | Valve seat | 1 | 1 | 1 | 1 |
| 5 | Stop disc | 1 | 1 | 1 | 1 |
| 6 | Top bearing | 1 | 1 | 1 | 1 |
| 7 | Neck ring | 3 | 5 | 9 | 16 |
| 8 | Bearing | 3 | 5 | 9 | 16 |
| 72 | Wear ring | 4 | 6 | 10 | 17 |

Cable termination (shrink-flex)

See the SP data booklet.

SP 125 model C, D



TM012360

SP 160 model A, B**50/60 Hz****Impeller**

| | Pump type | SP 160 | SP 160 N | SP 160 R |
|-------------------|-------------------|--------------------------|--------------------------|--------------------------|
| Pos. | Kit No | 97508270 | 96903236 | 96903237 |
| | Description | | | |
| 11, 12, 13, 72 | Impeller complete | 1 | 1 | 1 |

Reduced-impeller

| | Pump type | SP 160 | SP 160 N | SP 160 R |
|-------------------|---------------------------|--------------------------|--------------------------|--------------------------|
| Pos. | Kit No | 97508275 | 96907108 | 96907109 |
| | Description | | | |
| 11, 12, 13, 72 | Reduced impeller complete | 1 | 1 | 1 |

Split cone with nut

| | Pump type | SP 160 | SP 160 N | SP 160 R |
|------|----------------|--------------------------|--------------------------|--------------------------|
| Pos. | Kit No | 96903149 | 96903149 | 96903172 |
| | Description | | | |
| 11 | Split cone nut | 1 | 1 | 1 |
| 12 | Split cone | 1 | 1 | 1 |

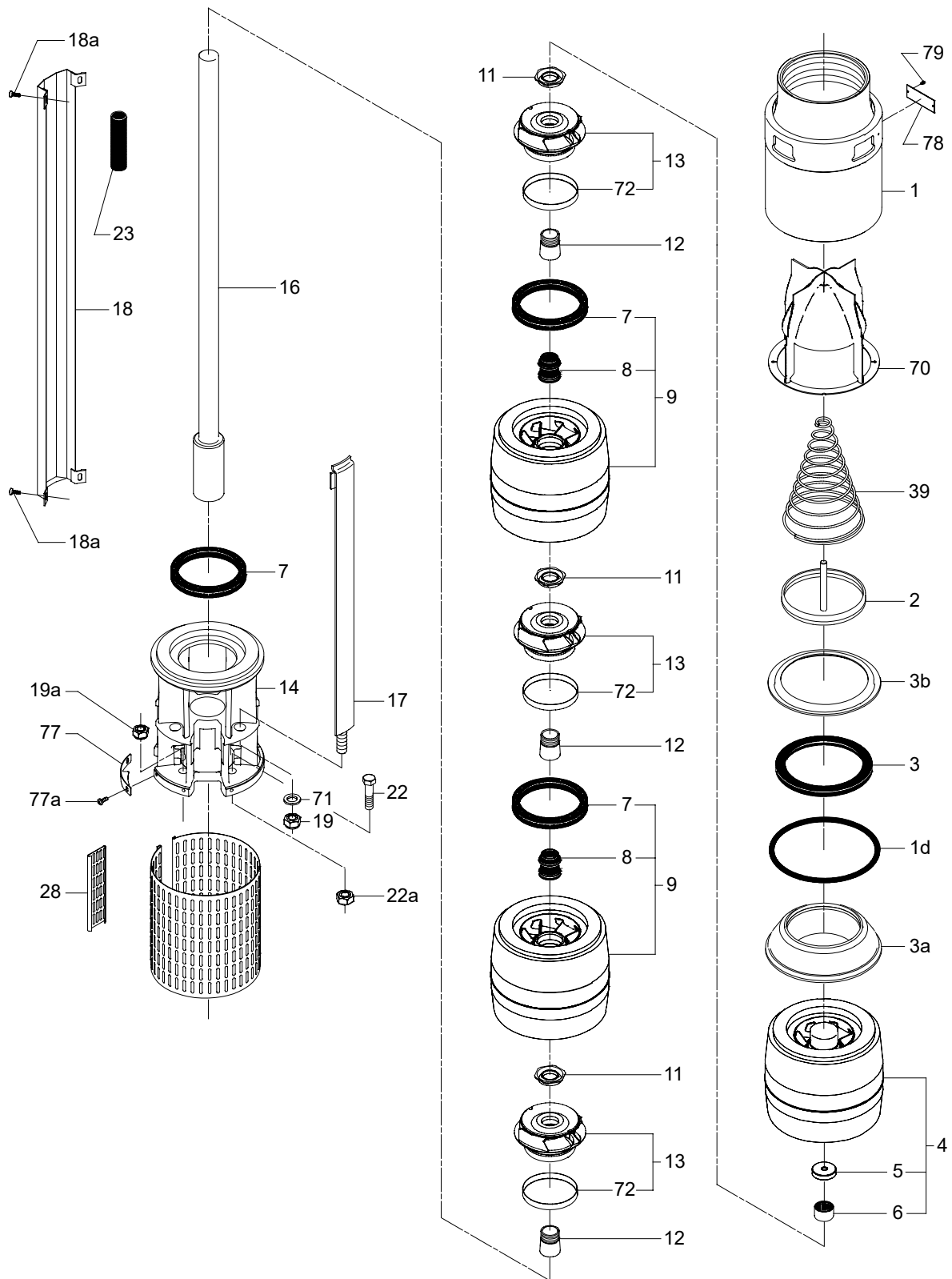
Wear parts**SP 160, SP 160 N, SP 160 R**

| Pos. | Kit No | 205117 | 205118 | 96488081 |
|------|--------------------------------|------------------------|------------------------|--------------------------|
| | Description / number of stages | 1-5 | 6-9 | 10-15 |
| 1d | O-ring | 1 | 1 | 1 |
| 3 | Valve seat | 1 | 1 | 1 |
| 5 | Stop disc | 1 | 1 | 1 |
| 6 | Top bearing | 1 | 1 | 1 |
| 7 | Neck ring | 4 | 8 | 14 |
| 8 | Bearing | 4 | 8 | 14 |
| 72 | Wear ring | 5 | 9 | 15 |

Cable termination (shrink-flex)

See the SP data booklet.

SP 160 model A, B



TM012360

SP 215 model B, C**50/60 Hz****Impeller**

| | Pump type | SP 215 | SP 215 N | SP 215 R |
|-------------------|-------------------|--------------------------|--------------------------|--------------------------|
| Pos. | Kit No | 97508277 | 96903238 | 96903239 |
| | Description | | | |
| 11, 12, 13, 72 | Impeller complete | 1 | 1 | 1 |

Reduced-impeller

| | Pump type | SP 215 | SP 215 N | SP 215 R |
|-------------------|---------------------------|--------------------------|--------------------------|--------------------------|
| Pos. | Kit No | 97508278 | 96907110 | 96907111 |
| | Description | | | |
| 11, 12, 13, 72 | Reduced impeller complete | 1 | 1 | 1 |

Split cone with nut

| | Pump type | SP 215 | SP 215 N | SP 215 R |
|------|----------------|--------------------------|--------------------------|--------------------------|
| Pos. | Kit No | 97524682 | 96903175 | 96903176 |
| | Description | | | |
| 11 | Split cone nut | 1 | 1 | 1 |
| 12 | Split cone | 1 | 1 | 1 |

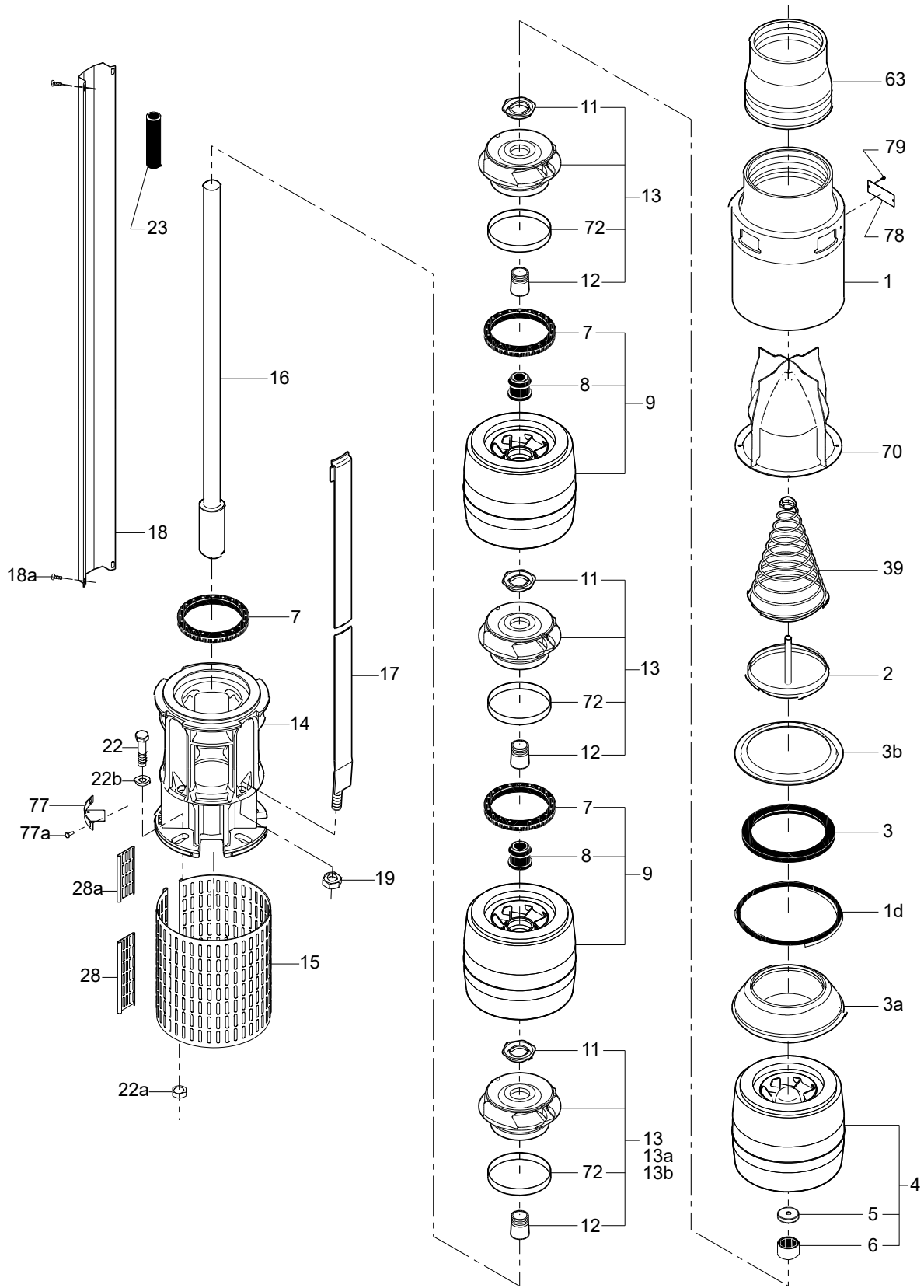
Wear parts**SP 215, SP 215 N, SP 215 R**

| | Kit No | 185033 | 185034 | 185035 | 185036 |
|------|------------------|------------------------|------------------------|------------------------|------------------------|
| Pos. | Number of stages | 1-2 | 3-4 | 5-7 | 8-11 |
| | Description | | | | |
| 1d | O-ring | 1 | 1 | 1 | 1 |
| 3 | Valve seat | 1 | 1 | 1 | 1 |
| 5 | Stop disc | 1 | 1 | 1 | 1 |
| 6 | Top bearing | 1 | 1 | 1 | 1 |
| 7 | Neck ring | 1 | 3 | 6 | 10 |
| 8 | Bearing | 1 | 3 | 6 | 10 |
| 72 | Wear ring | 2 | 4 | 7 | 11 |

Cable termination (shrink-flex)

See the SP data booklet.

SP 215 model B, C



TM012362