

GRUNDFOS ALPHA2 L

Installation and operating instructions



Original installation and operating instructions

CONTENTS

	Page
1. General information	2
1.1 Hazard statements	2
1.2 Notes	3
2. Receiving the product	3
2.1 Inspecting the product	3
2.2 Scope of delivery	3
3. Installing the product	3
3.1 Mechanical installation	3
3.2 Mounting	3
3.3 Control box positions	4
3.4 Changing the control box position	5
3.5 Insulation of pump housing	5
4. Electrical installation	5
4.1 Assembling the plug	6
5. Starting up the product	7
5.1 Before startup	7
5.2 Venting the pump	7
5.3 Venting of heating systems	7
6. Product introduction	8
6.1 Product description	8
6.2 Application	8
6.3 Advantages of installing a GRUNDFOS ALPHA2 L	8
6.4 Intended use	8
6.5 Pumped liquids	8
6.6 System pressure	8
6.7 Relative air humidity (RH)	8
6.8 Enclosure class	8
6.9 Inlet pressure	8
7. Identification	9
7.1 Nameplate	9
7.2 Type key	9
8. Accessories	10
9. Operating panel	11
9.1 Elements on the operating panel	11
9.2 "POWER ON" light field	11
9.3 Light fields indicating the pump setting	11
9.4 Push-button for selection of pump setting	11
10. Setting the pump	12
10.1 Pump setting for system type	12
10.2 Pump control	12
11. Systems with bypass valve between flow and return pipes	13
11.1 Purpose of bypass valve	13
11.2 Manually operated bypass valve	13
11.3 Automatic bypass valve (thermostatically controlled)	13
12. Pump settings and pump performance	14
12.1 Relation between pump setting and pump performance	14
13. Fault finding the product	15
13.1 Fault finding table	15
14. Technical data and installation dimensions	16
14.1 Technical data	16
14.2 Installation dimensions, GRUNDFOS ALPHA2 L XX-40, XX-50, XX-60	17
15. Performance curves	18
15.1 Guide to performance curves	18
15.2 Curve conditions	18
15.3 Performance curves, ALPHA2 L XX-40	19
15.4 Performance curves, ALPHA2 L XX-50	19
15.5 Performance curves, ALPHA2 L XX-60	20
16. Disposing of the product	20



Read this document and the quick guide before you install the product. Installation and operation must comply with local regulations and accepted codes of good practice.



This appliance can be used by children aged from 8 years and above and persons with reduced physical, sensory or mental capabilities or lack of experience and knowledge if they have been given supervision or instruction concerning use of the appliance in a safe way and understand the hazards involved.

Children shall not play with the appliance. Cleaning and user maintenance shall not be made by children without supervision.

1. General information

1.1 Hazard statements

The symbols and hazard statements below may appear in Grundfos installation and operating instructions, safety instructions and service instructions.



DANGER

Indicates a hazardous situation which, if not avoided, will result in death or serious personal injury.



WARNING

Indicates a hazardous situation which, if not avoided, could result in death or serious personal injury.



CAUTION

Indicates a hazardous situation which, if not avoided, could result in minor or moderate personal injury.

The text accompanying the three hazard symbols DANGER, WARNING and CAUTION is structured in the following way:



SIGNAL WORD

Description of hazard

Consequence of ignoring the warning.
- Action to avoid the hazard.

The hazard statements are structured in the following way:

1.2 Notes

The symbols and notes below may appear in Grundfos installation and operating instructions, safety instructions and service instructions.



A blue or grey circle with a white graphical symbol indicates that an action must be taken.



A red or grey circle with a diagonal bar, possibly with a black graphical symbol, indicates that an action must not be taken or must be stopped.



If these instructions are not observed, it may result in malfunction or damage to the equipment.



Tips and advice that make the work easier.

2. Receiving the product

2.1 Inspecting the product



CAUTION Crushing of feet

Minor or moderate personal injury
- Wear safety shoes when opening the box and handling the product.

Check that the product received is in accordance with the order.

Check that the voltage and frequency of the product match voltage and frequency of the installation site. See section [7.1 Nameplate](#).

2.2 Scope of delivery

The box contains the following items:

- ALPHA2 L pump
- installer plug
- two gaskets
- quick guide.

3. Installing the product

DANGER

Electric shock

Death or serious personal injury
- Switch off the power supply before starting any work on the product. Make sure that the power supply cannot be accidentally switched on.



CAUTION

Crushing of feet

Minor or moderate personal injury
- Wear safety shoes when opening the box and handling the product.



Installation must be carried out by trained persons in accordance with local regulations.



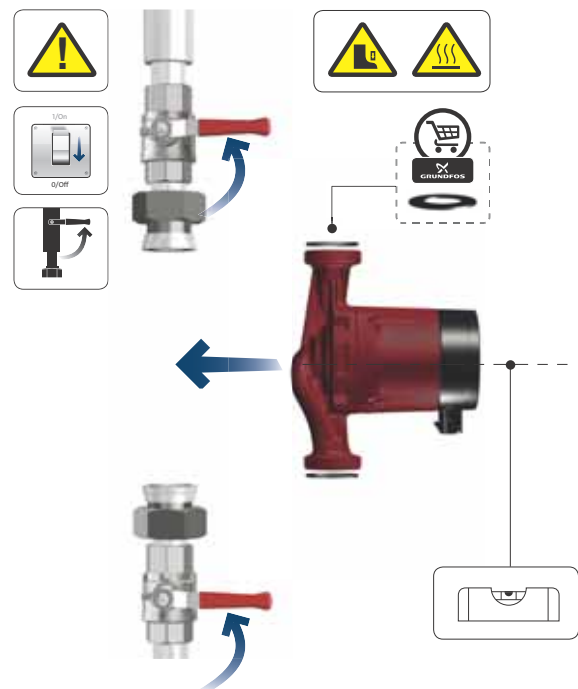
The pump must always be installed with a horizontal motor shaft within $\pm 5^\circ$.

3.1 Mechanical installation



The mechanical installation must be carried out by trained persons in accordance with local regulations.

3.2 Mounting



TM07 4154 1119

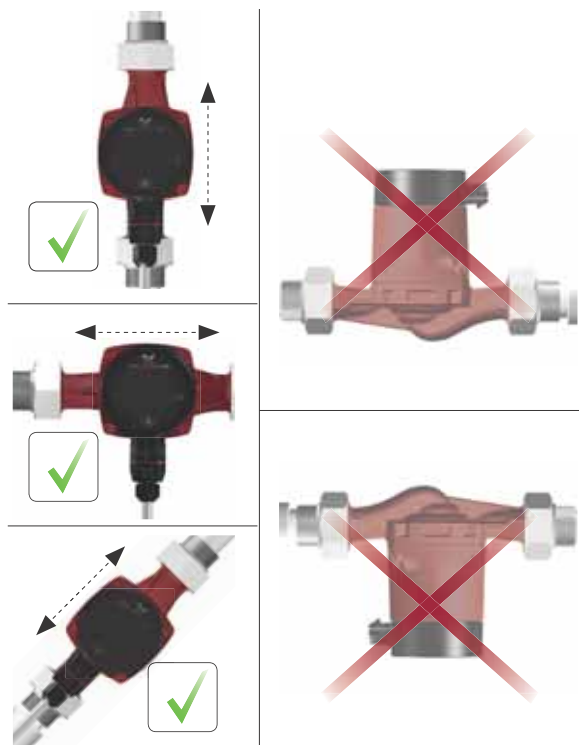


Fig. 1 Mounting the GRUNDFOS ALPHA2 L

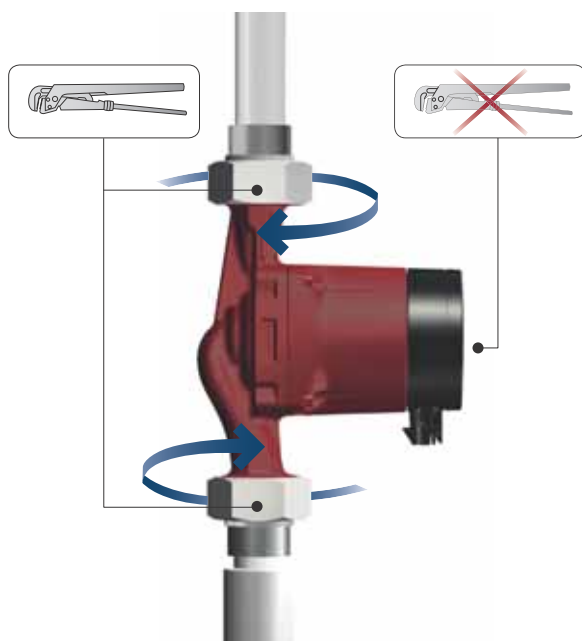


Fig. 2 Mounting the GRUNDFOS ALPHA2 L

Arrows on the pump housing indicate the liquid flow direction through the pump.

See section [14.2 Installation dimensions, GRUNDFOS ALPHA2 L XX-40, XX-50, XX-60](#).

- Fit the two gaskets supplied when the pump is mounted in the pipe.
- Install the pump with horizontal motor shaft. See figs 1 and 2.

3.3 Control box positions

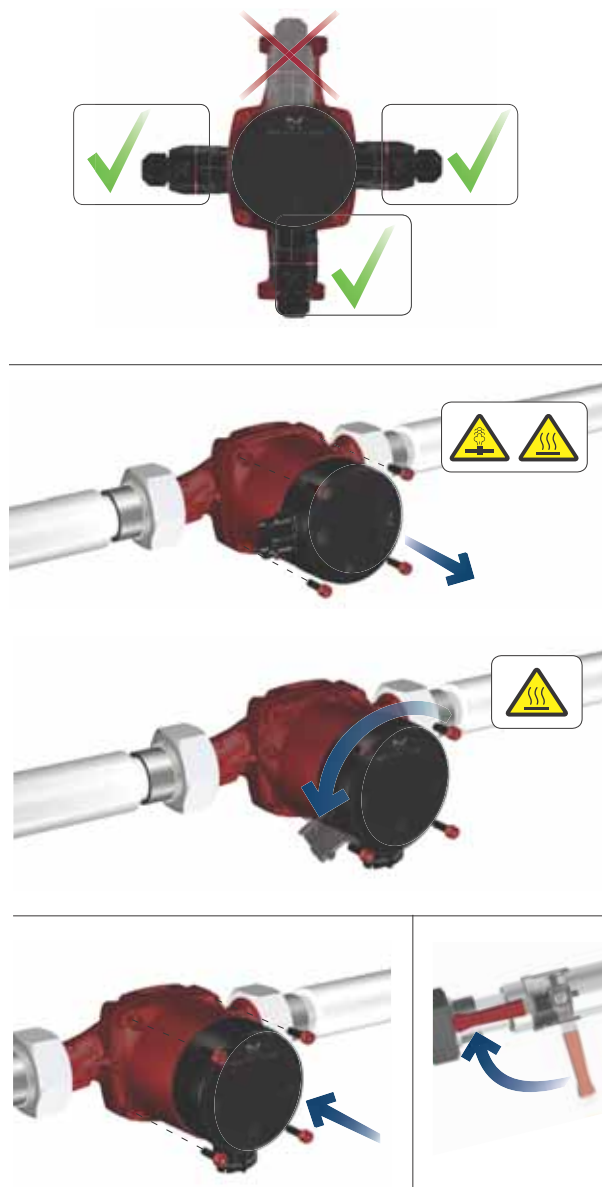


Fig. 3 Control box positions

DANGER

Electric shock

- Death or serious personal injury
- Switch off the power supply before starting any work on the product. Make sure that the power supply cannot be accidentally switched on.



CAUTION

Hot surface

- Minor or moderate personal injury
- The pump housing may be hot due to the pumped liquid being scalding hot. Close the isolating valves on both sides of the pump and wait for the pump housing to cool down.



CAUTION

Pressurised system

- Minor or moderate personal injury
- Before dismantling the pump, drain the system or close the isolating valves on both sides of the pump. The pumped liquid may be scalding hot and under high pressure.



TM07 4156 1119

TM07 4157 1119

TM07 4155 1119

TM07 4158 1119



Fill the system with the liquid to be pumped or open the isolating valves when the position of the control box has been changed.

3.4 Changing the control box position

The control box position can be changed in steps of 90°. Possible or permissible positions and the procedure of changing the position of the control box are illustrated in fig. 3.

Procedure:

1. Slacken and remove the four hexagon-socket head screws holding the pump head with a tee key (M4).
2. Turn the pump head to the desired position.
3. Insert and cross-tighten the screws.

3.5 Insulation of pump housing



Fig. 4 Insulation of pump housing

TM05 8581 2413



Limit the heat loss from the pump housing and pipes.

The heat loss from the pump and pipes can be reduced by insulating the pump housing and the pipe. See fig. 4.

As an alternative, polystyrene insulating shells can be fitted to the pump. See section 8. [Accessories](#).



Do not insulate the control box or cover the operating panel.

4. Electrical installation

DANGER

Electric shock

Death or serious personal injury
- All electrical connections must be carried out by a qualified electrician in accordance with local regulations.



DANGER

Electric shock

Death or serious personal injury
- Switch off the power supply before starting any work on the product. Make sure that the power supply cannot be accidentally switched on.



DANGER

Electric shock

Death or serious personal injury
- Connect the pump to earth.



DANGER

Electric shock

Death or serious personal injury
- If national legislation requires a Residual-Current Device (RCD) or equivalent in the electrical installation, or if the pump is connected to an electric installation where an RCD is used as an additional protection, this must be type A or better, due to the nature of the pulsating DC leakage current. The RCD must be marked with the symbol shown below:



The pump is not a safety component and cannot be used to ensure functional safety in the final appliance.

The pump requires no external motor protection.

- Check that the supply voltage and frequency correspond to the values stated on the nameplate. See section [7.1 Nameplate](#).
- Connect the pump to the power supply with the plug supplied with the pump as shown in section [4.1 Assembling the plug](#)

Light in the operating panel shows that the power supply has been switched on.

4.1 Assembling the plug

Step	Action	Illustration
1	Fit the cable gland and plug cover to the cable. Strip the cable conductors as illustrated.	<p>7 mm 12 mm 17 mm 0.5-1.5 mm² Ø 5.5-10 mm</p> <p>TM05 5538 3812</p>
2	Connect the cable conductors to the power supply plug.	<p>TM05 5539 3812</p>
3	Bend the cable with the cable conductors pointing upwards.	<p>TM05 5540 3812</p>
4	Pull out the conductor guide plate and throw it away.	<p>TM05 5541 3812</p>
5	Click the plug cover onto the power supply plug.	<p>TM05 5542 3812</p>

Step	Action	Illustration
6	Screw the cable gland onto the power supply plug.	<p>TM05 5543 3812</p>
7	Insert the power supply plug into the male plug in the pump control box.	<p>TM07 4159 1119</p>

5. Starting up the product

5.1 Before startup

Do not start the pump until the system has been filled with liquid and vented. The required minimum inlet pressure must be available at the pump inlet. See section [14. Technical data and installation dimensions](#).

5.2 Venting the pump



Fig. 5 Venting the pump

The pump is self-venting. It does not need to be vented before startup.

Air in the pump may cause noise. This noise will cease after a few minutes running.

Quick venting of the pump can be obtained by setting the pump to speed III for a short period, depending on system size and design.

When the pump has been vented, that is when the noise has ceased, set the pump according to the recommendations. See section [10. Setting the pump](#).



The pump must not run dry.

The system cannot be vented through the pump. See section [12. Pump settings and pump performance](#).

5.3 Venting of heating systems

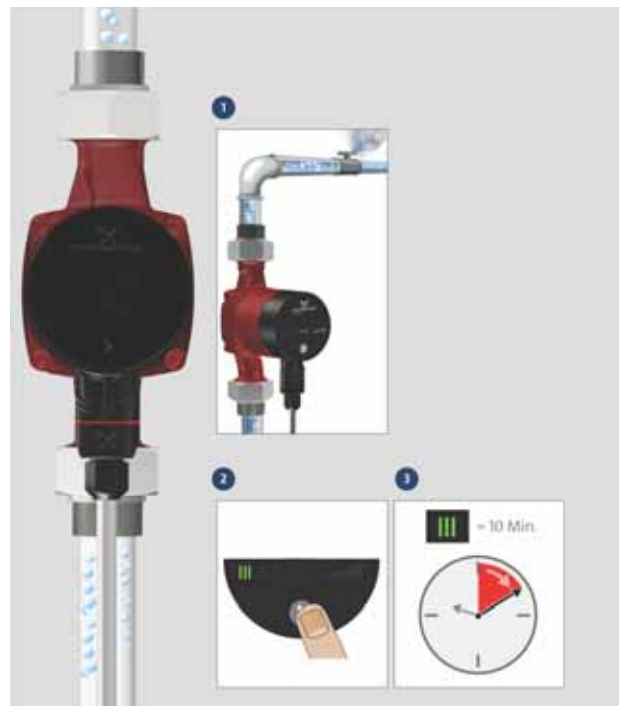


Fig. 6 Venting of heating systems

The heating system can be vented via an air escape valve installed above the pump. When the heating system has been filled with liquid, follow this procedure:

1. Open the air escape valve.
2. Set the pump to speed III.
3. Let the pump run for a short period, depending on system size and design.
4. When the system has been vented, that is when the possible noise has ceased, set the pump according to the recommendations. See section [10. Setting the pump](#).

Repeat the procedure, if necessary.



The pump must not run dry.

6. Product introduction

6.1 Product description

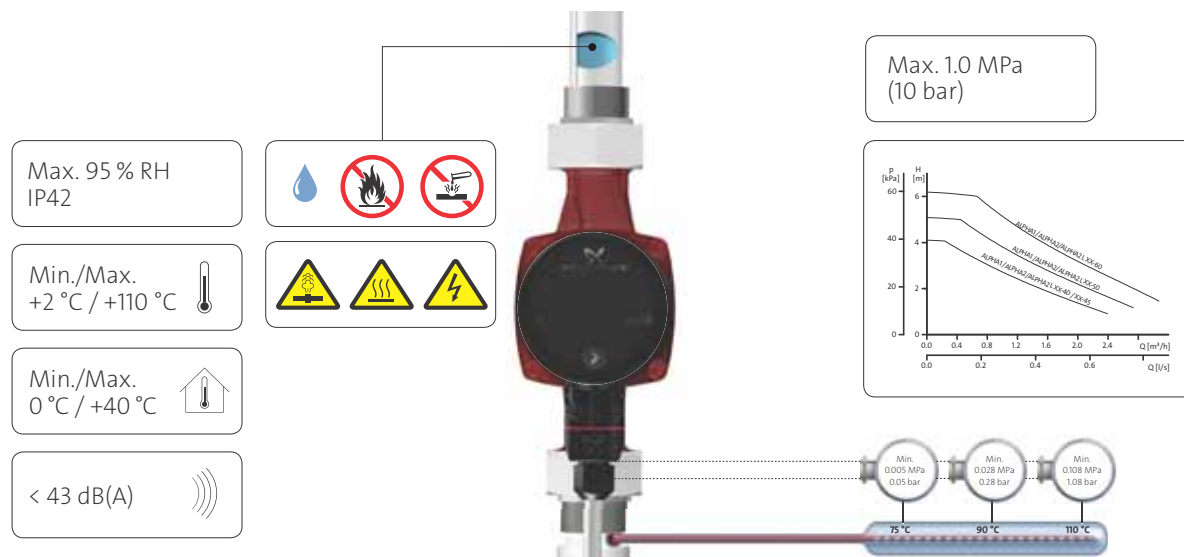


Fig. 7 Pumped liquids and operating conditions

6.2 Application

The GRUNDFOS ALPHA2 L circulator pump is designed for the circulation of water in heating systems.

The pump is suitable for the following systems:

- underfloor heating systems
- one-pipe systems
- two-pipe systems.

The pump incorporates a permanent-magnet motor and differential-pressure control enabling continuous adjustment of the pump performance to the actual system requirements.

The pump has a user-friendly front-mounted operating panel. See sections 7. *Identification* and 9. *Operating panel*.

6.3 Advantages of installing a GRUNDFOS ALPHA2 L

The installation of a GRUNDFOS ALPHA2 L means

Easy installation and startup

- The pump is easy to install. With the factory setting, the pump can, in most cases, be started without making any settings.

High degree of comfort

- Minimum noise from valves, etc.

Low energy consumption

- Low energy consumption compared to conventional circulator pumps.

Energy efficiency index (EEI)

- The Ecodesign directive for energy-using (EuP) and energy-related (ErP) products is EU legislation requiring manufacturers to reduce the overall environmental impact of their products.
- The pumps are energy-optimised and comply with the regulations of the EuP directive.

6.4 Intended use

GRUNDFOS ALPHA2 L is suitable for

- systems with constant or variable flows where it is desirable to optimise the setting of the pump duty point.
- systems with variable flow-pipe temperature.

6.5 Pumped liquids

CAUTION

Flammable material

Minor or moderate personal injury.

- Do not use the pump for flammable liquids, such as diesel oil and petrol.

CAUTION

Corrosive substance

Minor or moderate personal injury.

- Do not use the pump for aggressive liquids, such as acids and seawater.

Clean, thin, non-aggressive and non-explosive liquids, not containing solid particles, fibres or mineral oil. See fig. 7.

In heating systems, the water must meet the requirements of accepted standards on water quality in heating systems, for example the German standard VDI 2035.

6.6 System pressure

Maximum 1.0 MPa (10 bar). See fig. 7.

6.7 Relative air humidity (RH)

Maximum 95 %. See fig. 7.

6.8 Enclosure class

IP42. See fig. 7.

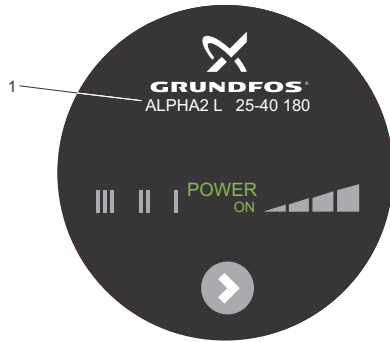
6.9 Inlet pressure

Minimum inlet pressure in relation to liquid temperature. See fig. 7.

Liquid temperature	Minimum inlet pressure	
	[MPa]	[bar]
≤ 75 °C	0.005	0.05
90 °C	0.028	0.28
110 °C	0.108	1.08

7. Identification

7.1 Nameplate



2	Prod. No.	95047562	I _r (A)	P1(W)	MPa	
3	Serial No.	00000001	Min. 0.05	5		
4	PC	0833 TF110	Max. 0.19	22	1.0	
5	IP	42 230V - 50Hz	MADE IN DENMARK			
8	EEI	X.XX Part X	6	7	14	13

TM05 5925 1019

Fig. 8 Example of nameplate

Pos.	Description
1	Pump type
2	Product number
3	Serial number
4	Production code: • 1st and 2nd digits = year • 3rd and 4th digits = week
5	Enclosure class
6	Voltage [V]
7	Frequency [Hz]
8	Energy efficiency index (EEI)
9	Rated current [A]: • Min.: Minimum current [A] • Max.: Maximum current [A]
10	Input power P1 [W]: • Min.: Minimum input power P1 [W] • Max.: Maximum input power P1 [W]
11	Maximum system pressure [MPa]
12	CE mark and approvals
13	Country of manufacture
14	Temperature class

7.2 Type key

Example	ALPHA2 L	25	-40	180
Pump type				
Nominal diameter (DN) of inlet and outlet ports [mm]				
Maximum head [dm]				
	: Cast-iron pump housing			
	N: Stainless-steel pump housing			
Port-to-port length [mm]				

8. Accessories

Accessories for GRUNDFOS ALPHA2 L. See fig. 9.

Accessories include

- fittings (unions and valves)
- insulating kits (insulating shells)
- plug.



Product No		
25-XX (A)	3/4"	529921
25-XX (A)	1"	529922
32-XX	1"	509921
32-XX	1 1/4"	509922



Product No		
25-XX N	3/4"	529971
25-XX N	1"	529972
32-XX N	1 1/4"	509971



Product No		
25-XX (A)(N)	3/4"	519805
25-XX (A)(N)	1"	519806
32-XX (N)	1 1/4"	505539



Product No		
15-XX	130	505821
25-XX	130	
32-XX	130	



Product No		
15-XX A	180	505822
25-XX A	180	



Product No		
15-XX		98284561
25-XX		
32-XX		



Product No		
15-XX		98610291
25-XX		
32-XX		

Fig. 9 Accessories

TM07 4161 1119

9. Operating panel

9.1 Elements on the operating panel

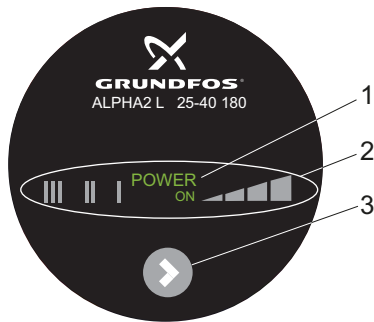


Fig. 10 GRUNDFOS ALPHA2 L operating panel

The operating panel comprises:

Pos.	Description
1	"POWER ON" light field
2	Seven light fields indicating the pump setting
3	Push-button for selection of pump setting

9.2 "POWER ON" light field

The "POWER ON" light field (fig. 10, pos. 2) is on when the power supply has been switched on.



When the "POWER ON" light field is on only, a fault preventing the pump from operating properly (for example seizing-up) has occurred. See section 13. *Fault finding the product.*

If a fault is indicated, correct the fault and reset the pump by switching the power supply off and on.

9.3 Light fields indicating the pump setting

The pump has seven optional settings which can be selected with the push-button. See fig. 10, pos. 3.

The pump setting is indicated by seven different light fields. See fig. 11.

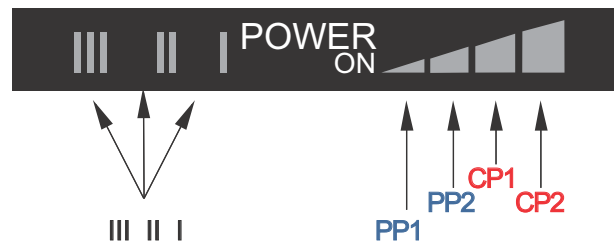


Fig. 11 Seven light fields

Number of button presses	Light field	Description
0	PP2 (factory setting)	Highest proportional-pressure curve
1	CP1	Lowest constant-pressure curve
2	CP2	Highest constant-pressure curve
3	III	Constant speed, speed III
4	II	Constant speed, speed II
5	I	Constant speed, speed I
6	PP1	Lowest proportional-pressure curve
7	PP2	Highest proportional-pressure curve

See section 12. *Pump settings and pump performance* for information about the function of the settings.

9.4 Push-button for selection of pump setting

Every time the push-button (fig. 10, pos. 3) is pressed, the pump setting is changed.

A cycle is seven button presses. See section 9.3 *Light fields indicating the pump setting.*

TM04 2526 2013

TM04 2527 2608

10. Setting the pump

10.1 Pump setting for system type

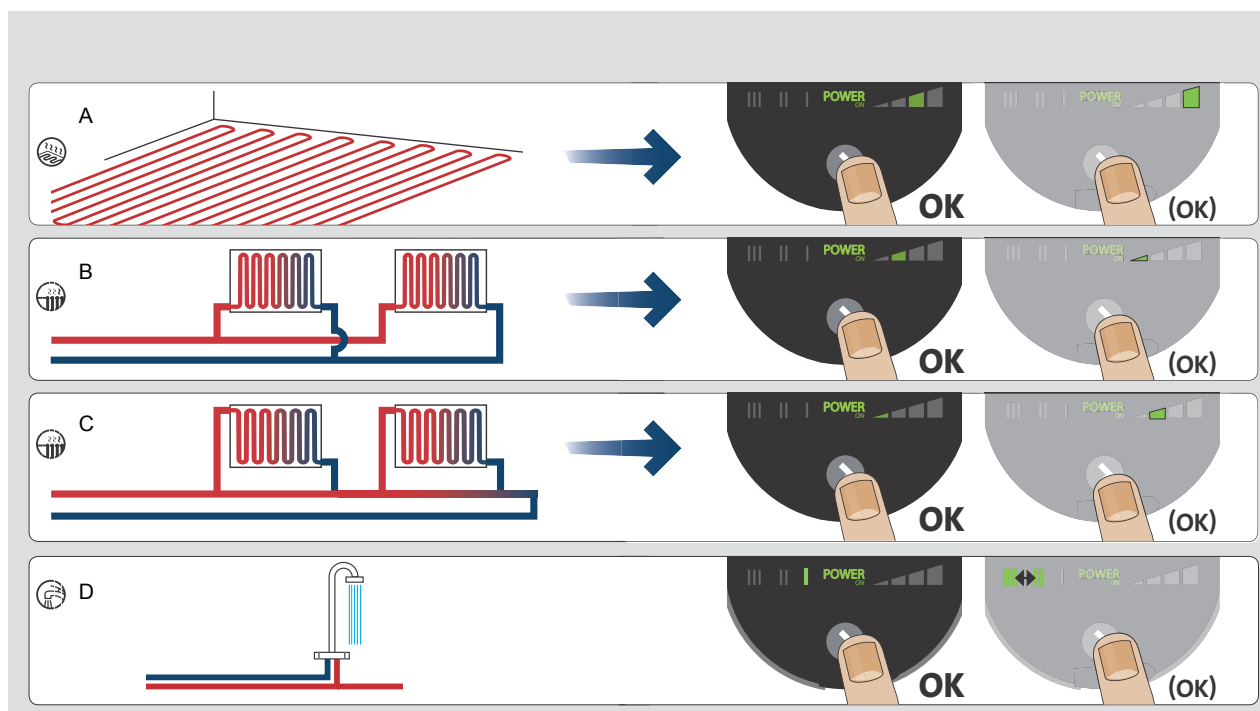


Fig. 12 Selection of pump setting for system type

Factory setting = highest proportional-pressure curve (PP2).

Recommended and alternative pump settings according to fig. 12:

Pos.	System type	Pump setting	
		Recommended	Alternative
A	Underfloor heating	Lowest constant-pressure curve (CP1)*	Highest constant-pressure curve (CP2)*
B	Two-pipe systems	Highest proportional-pressure curve (PP2)*	Lowest proportional-pressure curve (PP1)*
C	One-pipe systems	Lowest proportional-pressure curve (PP1)*	Highest proportional-pressure curve (PP2)*
D	Domestic water	Constant speed, speed I*	Constant speed, speed II or III*

* See section 15.1 Guide to performance curves.

Changing from recommended to alternative pump setting

Heating systems are "slow" systems that cannot be set to the optimum operation within minutes or hours.

If the recommended pump setting does not give the desired distribution of heat in the rooms of the house, change the pump setting to the shown alternative.

Explanation to pump settings in relation to performance curves, see section 12. Pump settings and pump performance.

10.2 Pump control

During operation, the pump head will be controlled according to the principle "proportional-pressure control" (PP) or "constant-pressure control" (CP).

In these control modes, the pump performance and consequently the power consumption are adjusted according to the heat demand in the system.

Proportional-pressure control

In this control mode, the differential pressure across the pump is controlled according to the flow.

The proportional-pressure curves are indicated by PP1 and PP2 in the Q/H diagrams. See section 12. Pump settings and pump performance.

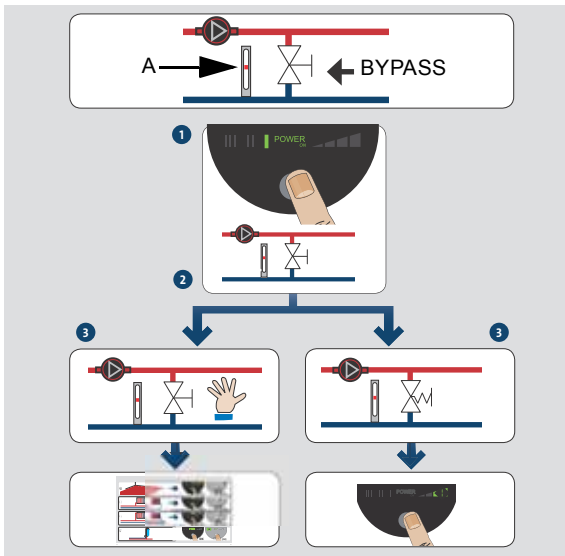
Constant-pressure control

In this control mode, a constant differential pressure across the pump is maintained, irrespective of the flow.

The constant-pressure curves are indicated by CP1 and CP2 and are the horizontal performance curves in the Q/H diagrams. See section 12. Pump settings and pump performance.

11. Systems with bypass valve between flow and return pipes

11.1 Purpose of bypass valve



TM05 8150 2013

Fig. 13 Systems with bypass valve

Bypass valve

The purpose of the bypass valve is to ensure that the heat from the boiler can be distributed when all valves in the underfloor-heating circuits and/or thermostatic radiator valves are closed.

System elements:

- bypass valve
- flowmeter, pos. A.

The minimum flow must be present when all valves are closed.

The pump setting depends on the type of bypass valve used, that is manually operated or thermostatically controlled.

11.2 Manually operated bypass valve

Follow this procedure:

1. Adjust the bypass valve with the pump in setting I (speed I).
The minimum flow ($Q_{\min.}$) for the system must always be observed. Consult the manufacturer's instructions.
2. When the bypass valve has been adjusted, set the pump according to section 10. [Setting the pump](#).

11.3 Automatic bypass valve (thermostatically controlled)

Follow this procedure:

1. Adjust the bypass valve with the pump in setting I (speed I).
The minimum flow ($Q_{\min.}$) for the system must always be observed. Consult the manufacturer's instructions.
2. When the bypass valve has been adjusted, set the pump to the lowest or highest constant-pressure curve.
Explanation to pump settings in relation to performance curves, see section 12. [Pump settings and pump performance](#).

12. Pump settings and pump performance

12.1 Relation between pump setting and pump performance

Figure 14 shows the relation between pump setting and pump performance by means of curves. See also section 15. [Performance curves](#).

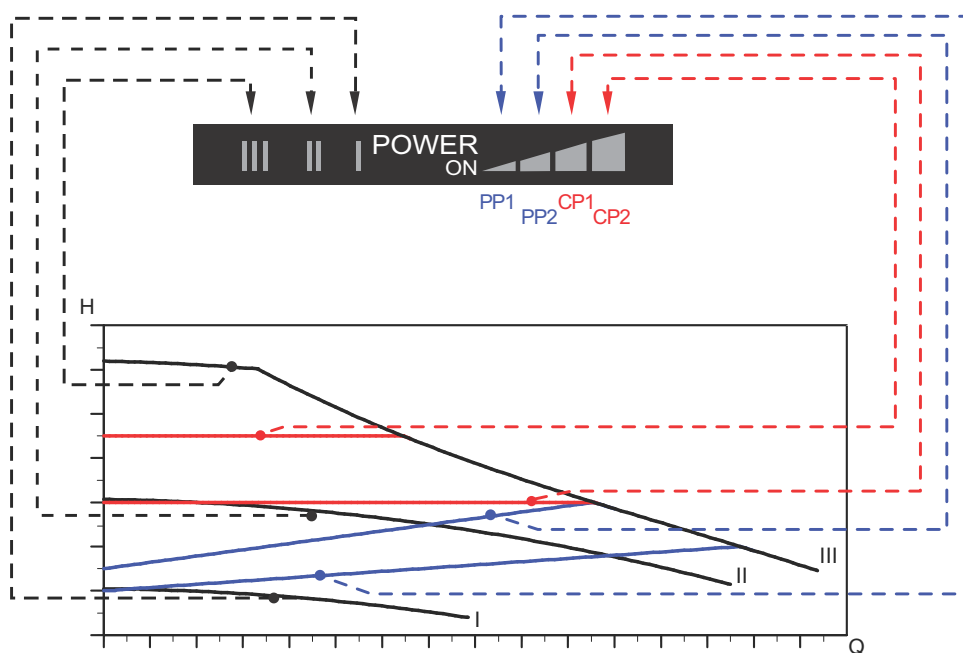


Fig. 14 Pump setting in relation to pump performance

TM04 2532 2608

Setting	Pump curve	Function
PP1	Lowest proportional-pressure curve	The duty point of the pump will move up or down on the lowest proportional-pressure curve, depending on the heat demand in the system. See fig. 14. The head (pressure) is reduced at falling heat demand and increased at rising heat demand.
PP2 (factory setting)	Highest proportional-pressure curve	The duty point of the pump will move up or down on the highest proportional-pressure curve, depending on the heat demand in the system. See fig. 14. The head (pressure) is reduced at falling heat demand and increased at rising heat demand.
CP1	Lowest constant-pressure curve	The duty point of the pump will move out or in on the lowest constant-pressure curve, depending on the heat demand in the system. See fig. 14. The head (pressure) is kept constant, irrespective of the heat demand.
CP2	Highest constant-pressure curve	The duty point of the pump will move out or in on the highest constant-pressure curve, depending on the heat demand in the system. See fig. 14. The head (pressure) is kept constant, irrespective of the heat demand.
III	Speed III	The pump runs at a constant speed and consequently on a constant curve. In speed III, the pump is set to run on the maximum curve under all operating conditions. See fig. 14. Quick venting of the pump can be obtained by setting the pump to speed III for a short period. See section 5.2 Venting the pump .
II	Speed II	The pump runs at a constant speed and consequently on a constant curve. In speed II, the pump is set to run on the intermediate curve under all operating conditions. See fig. 14.
I	Speed I	The pump runs at a constant speed and consequently on a constant curve. In speed I, the pump is set to run on the minimum curve under all operating conditions. See fig. 14.

13. Fault finding the product



DANGER

Electric shock

- Death or serious personal injury
- Switch off the power supply before starting any work on the product. Make sure that the power supply cannot be accidentally switched on.



WARNING

Electric shock

- Death or serious personal injury
- A damaged product must be repaired by Grundfos or a service workshop authorised by Grundfos.



CAUTION

Pressurised system

- Minor or moderate personal injury
- Before dismantling the pump, drain the system or close the isolating valves on either side of the pump. The pumped liquid may be scalding hot and under high pressure.



WARNING

Hot surface

- Minor or moderate personal injury
- The pump housing may be hot due to the pumped liquid being scalding hot. Close the isolating valves on both sides of the pump and wait for the pump housing to cool down.

13.1 Fault finding table

Fault	Operating panel	Cause	Remedy
1. The pump does not run.	Light off.	a) A fuse in the installation is blown.	Replace the fuse.
		b) The current-operated or voltage-operated circuit breaker has tripped out.	Cut in the circuit breaker.
	"POWER ON" is on only.	c) The pump is defective.	Replace the pump.
		a) Power supply failure. The power supply might be too low.	Check that the power supply falls within the specified range.
2. Noise in the system.	Shows normal operating status.	b) The pump is blocked.	Remove the impurities.
		a) Air in the system.	Vent the system. See section 5.3 Venting of heating systems .
3. Noise in the pump.	Shows normal operating status.	b) The flow is too high.	Reduce the suction head. See section 12. Pump settings and pump performance .
		a) Air in the pump.	Let the pump run. It vents itself over time. See section 5.2 Venting the pump .
4. Insufficient heat.	Shows normal operating status.	b) The inlet pressure is too low.	Increase the inlet pressure or check the air volume in the expansion tank, if installed.
		a) The pump performance is too low.	Increase the suction head. See section 12. Pump settings and pump performance .

14. Technical data and installation dimensions

14.1 Technical data

Operating conditions		
Relative humidity	Maximum 95 % RH	
System pressure	Maximum 1.0 MPa, 10 bar, 102 m head	
Inlet pressure	Liquid temperature	Minimum inlet pressure
	≤ 75 °C	0.005 MPa, 0.05 bar, 0.5 m head
	90 °C	0.028 MPa, 0.28 bar, 2.8 m head
	110 °C	0.108 MPa, 1.08 bar, 10.8 m head
EMC (electromagnetic compatibility)	EMC Directive (2014/30/EU). Standards used: EN 55014-1:2006/A1:2009/A2:2011, EN 55014-2:2015, EN 61000-3-2:2014 and EN 61000-3-3:2013.	
Sound pressure level	The sound pressure level of the pump is lower than 43 dB(A).	
Ambient temperature	0-40 °C	
Surface temperature	The maximum surface temperature will not exceed 125 °C.	
Liquid temperature	2-110 °C	
Electrical data		
Supply voltage	1 x 230 V ± 10 %, 50/60 Hz, PE	
Insulation class	F	
Miscellaneous data		
Motor protection	The pump requires no external motor protection.	
Temperature class	TF110 to EN 60335-2-51	
Enclosure class	IP42	

To avoid condensation in the control box and stator, the liquid temperature must always be higher than the ambient temperature.



The pump can run at ambient temperatures higher than the liquid temperature if the plug connection in the pump head is pointing downwards



If the temperature of the pumped liquid is lower than the ambient temperature, make sure that the pump is installed with the pump head and plug in position 6 o'clock.

Ambient temperature [°C]	Liquid temperature	
	Min. [°C]	Max. [°C]
0	2	110
10	10	110
20	20	110
30	30	110
35	35	90
40	40	70

14.2 Installation dimensions, GRUNDFOS ALPHA2 L XX-40, XX-50, XX-60

Dimensional sketches and table of dimensions

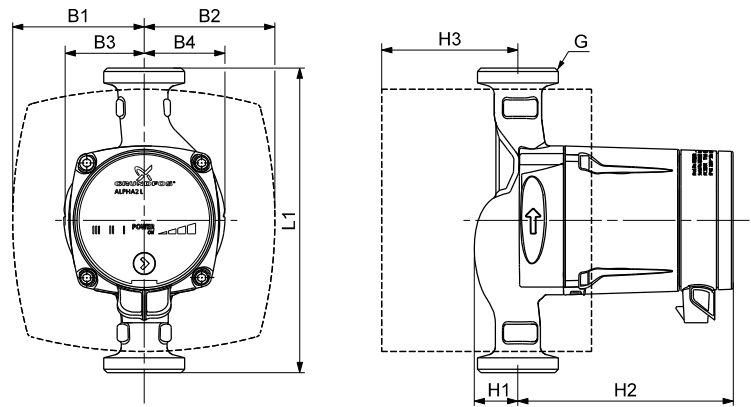


Fig. 15 Dimensional sketches, ALPHA2 L XX-40, XX-50, XX-60

TM04 2533 2608

Pump type	Dimensions								
	L1	B1	B2	B3	B4	H1	H2	H3	G
ALPHA2 L 25-40 180	180	78	78	47	48	26	127	58	1 1/2
ALPHA2 L 32-40 180	180	78	78	47	48	26	127	58	2
ALPHA2 L 15-50 130*	130	78	78	46	49	27	127	58	1 1/2
ALPHA2 L 15-60 130*	130	77	78	46	49	27	129	58	1 1/2
ALPHA2 L 25-60 180	180	78	78	47	48	26	127	58	1 1/2
ALPHA2 L 32-60 180	180	78	77	47	48	26	127	58	2

* For UK only.

15. Performance curves

15.1 Guide to performance curves

Each pump setting has its own performance curve (Q/H curve).

A power curve (P1 curve) belongs to each Q/H curve. The power curve shows the pump power consumption (P1) in Watt at a given Q/H curve.

The P1 value corresponds to the value that can be read from the pump display. See fig. 16:

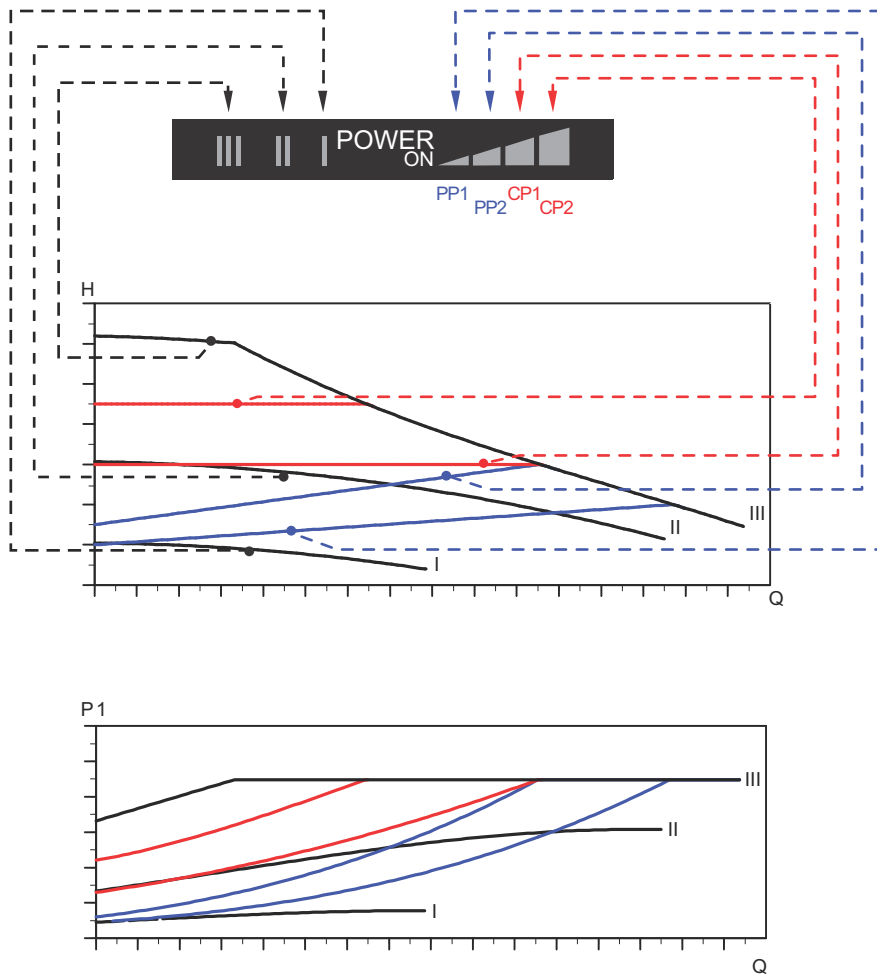


Fig. 16 Performance curves in relation to pump setting

Setting	Pump curve
PP1	Lowest proportional-pressure curve
PP2 (factory setting)	Highest proportional-pressure curve
CP1	Lowest constant-pressure curve
CP2	Highest constant-pressure curve
III	Constant speed, speed III
II	Constant speed, speed II
I	Constant speed, speed I

For further information about pump settings, see sections

[9.3 Light fields indicating the pump setting](#)

[10. Setting the pump](#)

[12. Pump settings and pump performance.](#)

15.2 Curve conditions

The guidelines below apply to the performance curves on the following pages:

- Test liquid: airless water.
- The curves apply to a density of $\rho = 983.2 \text{ kg/m}^3$ and a liquid temperature of $+60 \text{ }^\circ\text{C}$.
- All curves show average values and should not be used as guarantee curves. If a specific minimum performance is required, individual measurements must be made.
- The curves for speeds I, II and III are marked.
- The curves apply to a kinematic viscosity of $\nu = 0.474 \text{ mm}^2/\text{s}$ (0.474 cSt).

15.3 Performance curves, ALPHA2 L XX-40

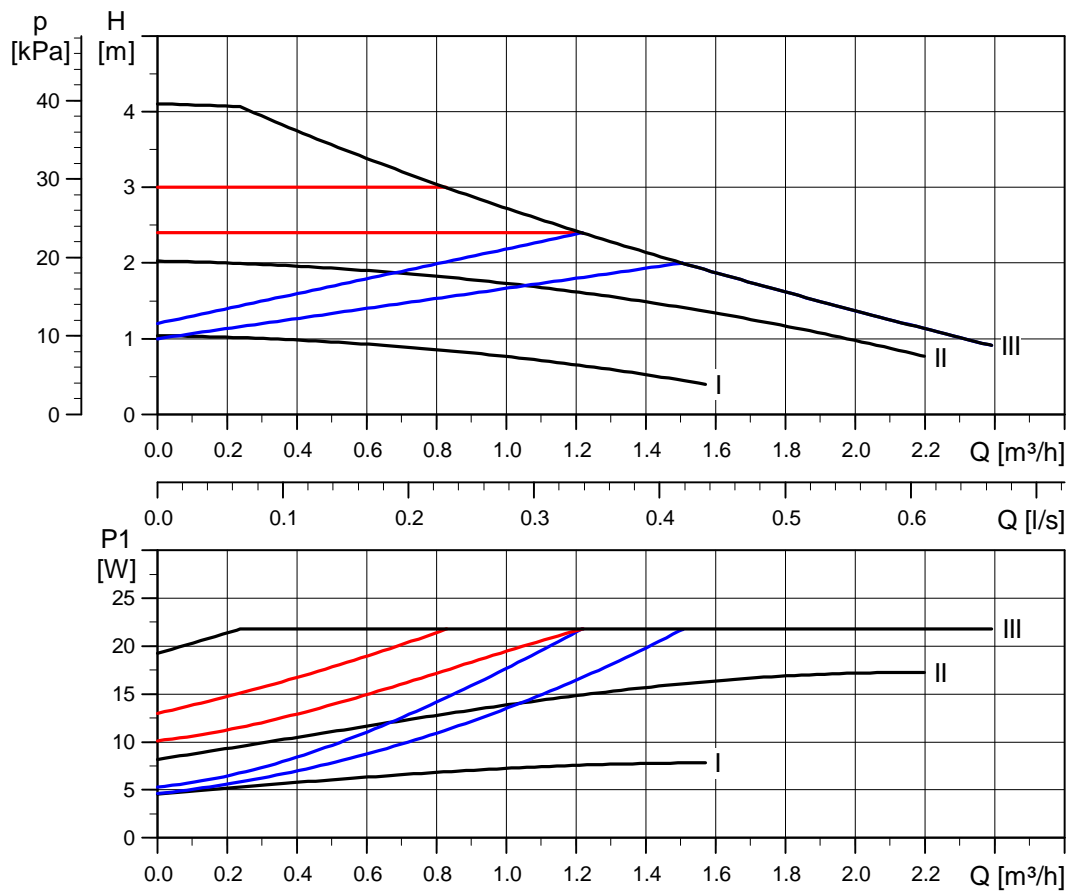


Fig. 17 ALPHA2 L XX-40

15.4 Performance curves, ALPHA2 L XX-50

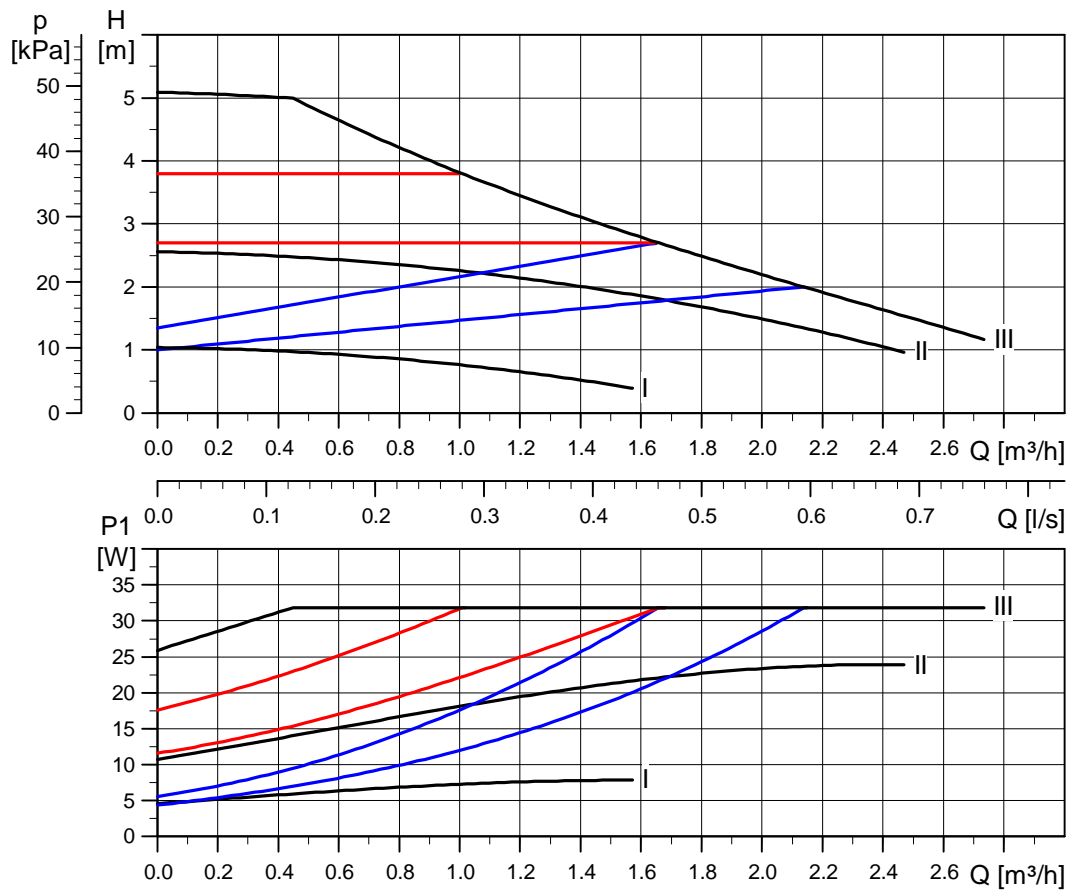


Fig. 18 ALPHA2 L XX-50

TM04 2110 2008

TM04 2109 2008

15.5 Performance curves, ALPHA2 L XX-60

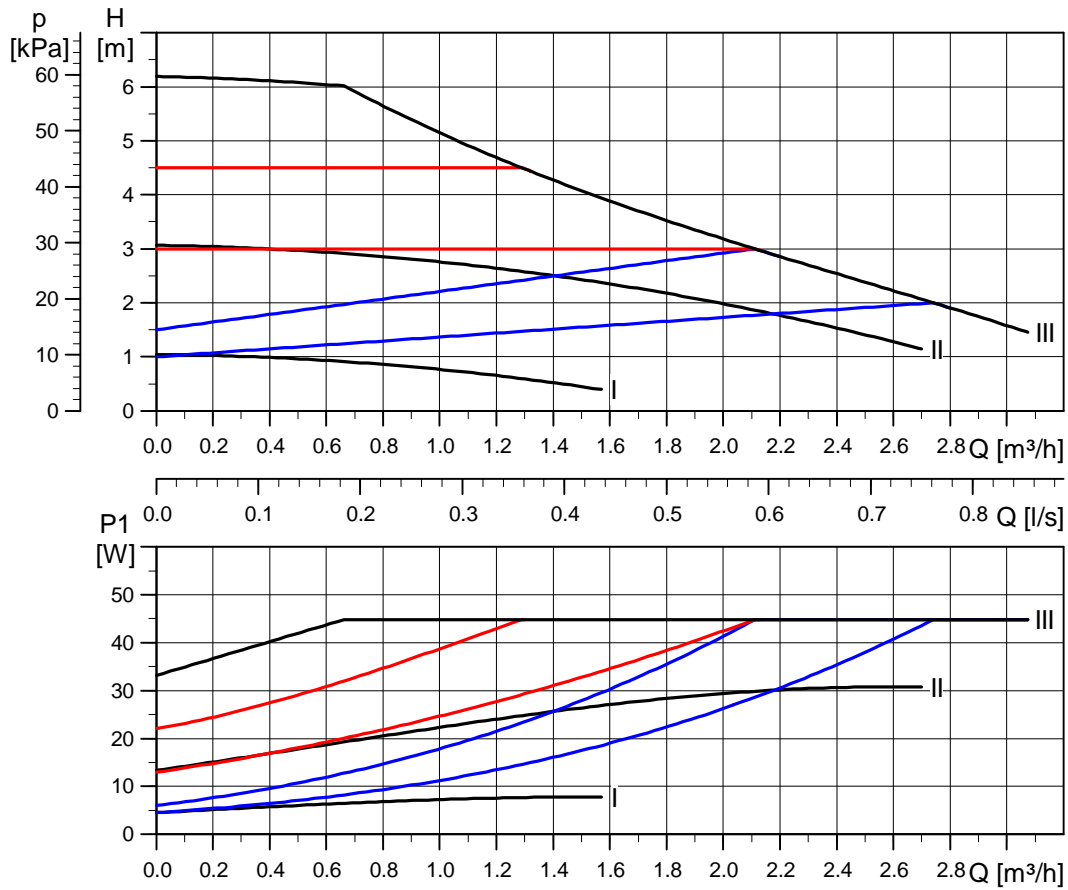


Fig. 19 ALPHA2 L XX-60

16. Disposing of the product

This product or parts of it must be disposed of in an environmentally sound way:

1. Use the public or private waste collection service.
2. If this is not possible, contact the nearest Grundfos company or service workshop.



The crossed-out wheellie bin symbol on a product means that it must be disposed of separately from household waste. When a product marked with this symbol reaches its end of life, take it to a collection point designated by the local waste disposal

authorities. The separate collection and recycling of such products will help protect the environment and human health. See also end-of-life information at www.grundfos.com/product-recycling.

Argentina

Bombas GRUNDFOS de Argentina S.A.
Ruta Panamericana km. 37.500 Centro
Industrial Garin
1619 Garin Pcia. de B.A.
Phone: +54-3327 414 444
Telefax: +54-3327 45 3190

Australia

GRUNDFOS Pumps Pty. Ltd.
P.O. Box 2040
Regency Park
South Australia 5942
Phone: +61-8-8461-4611
Telefax: +61-8-8340 0155

Austria

GRUNDFOS Pumpen Vertrieb Ges.m.b.H.
Grundfosstraße 2
A-5082 Grödig/Salzburg
Tel.: +43-6246-883-0
Telefax: +43-6246-883-30

Belgium

N.V. GRUNDFOS Bellux S.A.
Boomssesteenweg 81-83
B-2630 Aartselaar
Tél.: +32-3-870 7300
Télécopie: +32-3-870 7301

Belarus

Представительство ГРУНДФОС в
Минске
220125, Минск
ул. Шафарнянская, 11, оф. 56, БЦ
«Порт»
Тел.: +7 (375 17) 286 39 72/73
Факс: +7 (375 17) 286 39 71
E-mail: minsk@grundfos.com

Bosnia and Herzegovina

GRUNDFOS Sarajevo
Zmaja od Bosne 7-7A,
BH-71000 Sarajevo
Phone: +387 33 592 480
Telefax: +387 33 590 465
www.ba.grundfos.com
e-mail: grundfos@bih.net.ba

Brazil

BOMBAS GRUNDFOS DO BRASIL
Av. Humberto de Alencar Castelo Branco,
630
CEP 09850 - 300
São Bernardo do Campo - SP
Phone: +55-11 4393 5533
Telefax: +55-11 4343 5015

Bulgaria

Grundfos Bulgaria EOOD
Slatina District
Iztochna Tangenta street no. 100
BG - 1592 Sofia
Tel. +359 2 49 22 200
Fax. +359 2 49 22 201
email: bulgaria@grundfos.bg

Canada

GRUNDFOS Canada Inc.
2941 Brighton Road
Oakville, Ontario
L6H 6C9
Phone: +1-905 829 9533
Telefax: +1-905 829 9512

China

GRUNDFOS Pumps (Shanghai) Co. Ltd.
10F The Hub, No. 33 Suhong Road
Minhang District
Shanghai 201106
PRC
Phone: +86 21 612 252 22
Telefax: +86 21 612 253 33

COLOMBIA

GRUNDFOS Colombia S.A.S.
Km 1.5 vía Siberia-Cota Conj. Potrero
Chico,
Parque Empresarial Arcos de Cota Bod.
1A.
Cota, Cundinamarca
Phone: +57(1)-2913444
Telefax: +57(1)-8764586

Croatia

GRUNDFOS CROATIA d.o.o.
Buzinski prilaz 38, Buzin
HR-10010 Zagreb
Phone: +385 1 6595 400
Telefax: +385 1 6595 499
www.hr.grundfos.com

GRUNDFOS Sales Czechia and Slovakia s.r.o.

Čajkovského 21
779 00 Olomouc
Phone: +420-585-716 111

Denmark

GRUNDFOS DK A/S
Martin Bachs Vej 3
DK-8850 Bjerringbro
Tlf.: +45-87 50 50 50
Telefax: +45-87 50 51 51
E-mail: info_GDK@grundfos.com
www.grundfos.com/DK

Estonia

GRUNDFOS Pumps Eesti OÜ
Peterburi tee 92G
11415 Tallinn
Tel: + 372 606 1690
Fax: + 372 606 1691

Finland

OY GRUNDFOS Pumput AB
Trukkikuja 1
FI-01360 Vantaa
Phone: +358-(0) 207 889 500

France

Pompes GRUNDFOS Distribution S.A.
Parc d'Activités de Chesnes
57, rue de Malacombe
F-38290 St. Quentin Fallavier (Lyon)
Tél.: +33-4 74 82 15 15
Télécopie: +33-4 74 94 10 51

Germany

GRUNDFOS GMBH
Schlüterstr. 33
40699 Erkrath
Tel.: +49-(0) 211 929 69-0
Telefax: +49-(0) 211 929 69-3799
e-mail: infoservice@grundfos.de
Service in Deutschland:
e-mail: kundendienst@grundfos.de

Greece

GRUNDFOS Hellas A.E.B.E.
20th km. Athinon-Markopoulou Av.
P.O. Box 71
GR-19002 Peania
Phone: +0030-210-66 83 400
Telefax: +0030-210-66 46 273

Hong Kong

GRUNDFOS Pumps (Hong Kong) Ltd.
Unit 1, Ground floor
Siu Wai Industrial Centre
29-33 Wing Hong Street &
68 King Lam Street, Cheung Sha Wan
Kowloon
Phone: +852-27861706 / 27861741
Telefax: +852-27858664

Hungary

GRUNDFOS Hungária Kft.
Tópark u. 8
H-2045 Törökbálint,
Phone: +36-23 511 110
Telefax: +36-23 511 111

India

GRUNDFOS Pumps India Private Limited
118 Old Mahabalipuram Road
Thoraiakkam
Chennai 600 096
Phone: +91-44 2496 6800

Indonesia

PT. GRUNDFOS POMPA
Graha Intirub Lt. 2 & 3
Jln. Cililitan Besar No.454. Makasar,
Jakarta Timur
ID-Jakarta 13650
Phone: +62 21-469-51900
Telefax: +62 21-460 6910 / 460 6901

Ireland

GRUNDFOS (Ireland) Ltd.
Unit A, Merrywell Business Park
Ballymount Road Lower
Dublin 12
Phone: +353-1-4089 800
Telefax: +353-1-4089 830

Italy

GRUNDFOS Pompe Italia S.r.l.
Via Gran Sasso 4
I-20060 Truccazzano (Milano)
Tel.: +39-02-95838112
Telefax: +39-02-95309290 / 95838461

Japan

GRUNDFOS Pumps K.K.
1-2-3, Shin-Miyakoda, Kita-ku,
Hamamatsu
431-2103 Japan
Phone: +81 53 428 4760
Telefax: +81 53 428 5005

Korea

GRUNDFOS Pumps Korea Ltd.
6th Floor, Aju Building 679-5
Yeoksam-dong, Kangnam-ku, 135-916
Seoul, Korea
Phone: +82-2-5317 600
Telefax: +82-2-5633 725

Latvia

SIA GRUNDFOS Pumps Latvia
Deglava biznesa centrs
Augusta Deglava ielā 60, LV-1035, Rīga,
Tālr.: + 371 714 9640, 7 149 641
Fakss: + 371 914 9646

Lithuania

GRUNDFOS Pumps UAB
Smolensko g. 6
LT-03201 Vilnius
Tel: + 370 52 395 430
Fax: + 370 52 395 431

Malaysia

GRUNDFOS Pumps Sdn. Bhd.
7 Jalan Peguam U1/25
Glenmarie Industrial Park
40150 Shah Alam
Selangor
Phone: +60-3-5569 2922
Telefax: +60-3-5569 2866

Mexico

Bombas GRUNDFOS de México S.A. de
C.V.
Boulevard TLC No. 15
Parque Industrial Stiva Aeropuerto
Apodaca, N.L. 66600
Phone: +52-81-8144 4000
Telefax: +52-81-8144 4010

Netherlands

GRUNDFOS Netherlands
Veluwezoom 35
1326 AE Almere
Postbus 22015
1302 CA ALMERE
Tel.: +31-88-478 6336
Telefax: +31-88-478 6332
E-mail: info_gnl@grundfos.com

New Zealand

GRUNDFOS Pumps NZ Ltd.
17 Beatrice Tinsley Crescent
North Harbour Industrial Estate
Albany, Auckland
Phone: +64-9-415 3240
Telefax: +64-9-415 3250

Norway

GRUNDFOS Pumper A/S
Strømsveien 344
Postboks 235, Leirdal
N-1011 Oslo
Tlf.: +47-22 90 47 00
Telefax: +47-22 32 21 50

Poland

GRUNDFOS Pompy Sp. z o.o.
ul. Klonowa 23
Baranowo k. Poznania
PL-62-081 Przeźmierowo
Tel: (+48-61) 650 13 00
Fax: (+48-61) 650 13 50

Portugal

Bombas GRUNDFOS Portugal, S.A.
Rua Calvet de Magalhães, 241
Apartado 1079
P-2770-153 Paço de Arcos
Tel.: +351-21-440 76 00
Telefax: +351-21-440 76 90

Romania

GRUNDFOS Pompe România SRL
Bd. Biruintei, nr 103
Pantelimon county Ilfov
Phone: +40 21 200 4100
Telefax: +40 21 200 4101
E-mail: romania@grundfos.ro

Russia

ООО Грундфос Россия
ул. Школьная, 39-41
Москва, RU-109544, Russia
Тел. (+7) 495 564-88-00 (495) 737-30-00
Факс (+7) 495 564 8811
E-mail grundfos.moscow@grundfos.com

Serbia

Grundfos Srbija d.o.o.
Omladinskih brigada 90b
11070 Novi Beograd
Phone: +381 11 2258 740
Telefax: +381 11 2281 769
www.rs.grundfos.com

Singapore

GRUNDFOS (Singapore) Pte. Ltd.
25 Jalan Tukang
Singapore 619264
Phone: +65-6681 9688
Telefax: +65-6681 9689

Slovakia

GRUNDFOS s.r.o.
Prievozská 4D
821 09 BRATISLAVA
Phona: +421 2 5020 1426
sk.grundfos.com

Slovenia

GRUNDFOS LJUBLJANA, d.o.o.
Leskoškova 9e, 1122 Ljubljana
Phone: +386 (0) 1 568 06 10
Telefax: +386 (0) 1 568 06 19
E-mail: tehnika-si@grundfos.com

South Africa

Grundfos (PTY) Ltd.
16 Lascelles Drive, Meadowbrook Estate
1609 Germiston, Johannesburg
Tel.: (+27) 10 248 6000
Fax: (+27) 10 248 6002
E-mail: lgradidge@grundfos.com

Spain

Bombas GRUNDFOS España S.A.
Camino de la Fuentequilla, s/n
E-28110 Algete (Madrid)
Tel.: +34-91-848 8800
Telefax: +34-91-628 0465

Sweden

GRUNDFOS AB
Box 333 (Lunnagårdsgatan 6)
431 24 Mölndal
Tel.: +46 31 332 23 000
Telefax: +46 31 331 94 60

Switzerland

GRUNDFOS Pumpen AG
Bruggacherstrasse 10
CH-8117 Fällanden/ZH
Tel.: +41-44-806 8111
Telefax: +41-44-806 8115

Taiwan

GRUNDFOS Pumps (Taiwan) Ltd.
7 Floor, 219 Min-Chuan Road
Taichung, Taiwan, R.O.C.
Phone: +886-4-2305 0868
Telefax: +886-4-2305 0878

Thailand

GRUNDFOS (Thailand) Ltd.
92 Chaloe Phrakiat Rama 9 Road,
Dokmai, Pravej, Bangkok 10250
Phone: +66-2-725 8999
Telefax: +66-2-725 8998

Turkey

GRUNDFOS POMPA San. ve Tic. Ltd. Sti.
Gebze Organize Sanayi Bölgesi
Ihsan dede Caddesi,
2. yol 200. Sokak No. 204
41490 Gebze/ Kocaeli
Phone: +90 - 262-679 7979
Telefax: +90 - 262-679 7905
E-mail: satis@grundfos.com

Ukraine

Бізнес Центр Європа
Столицне шосе, 103
м. Київ, 03131, Україна
Телефон: (+38 044) 237 04 00
Факс: (+38 044) 237 04 01
E-mail: ukraine@grundfos.com

United Arab Emirates

GRUNDFOS Gulf Distribution
P.O. Box 16768
Jebel Ali Free Zone
Dubai
Phone: +971 4 8815 166
Telefax: +971 4 8815 136

United Kingdom

GRUNDFOS Pumps Ltd.
Grovebury Road
Leighton Buzzard/Beds. LU7 4TL
Phone: +44-1525-850000
Telefax: +44-1525-850011

U.S.A.

GRUNDFOS Pumps Corporation
9300 Loiret Blvd.
Lenexa, Kansas 66219
Phone: +1-913-227-3400
Telefax: +1-913-227-3500

Uzbekistan

Grundfos Tashkent, Uzbekistan The Representative Office of Grundfos Kazakhstan in Uzbekistan
38a, Oybek street, Tashkent
Телефон: (+998) 71 150 3290 / 71 150 3291
Факс: (+998) 71 150 3292

Addresses Revised 15.01.2019

95047490 0819

ECM: 1267507

Trademarks displayed in this material, including but not limited to Grundfos, the Grundfos logo and "be think innovate" are registered trademarks owned by The Grundfos Group. All rights reserved. © 2019 Grundfos Holding A/S, all rights reserved.