



# Service instructions with parts list

CR, CRI, CRN 3, 5  
 CR, CRI, CRN 10, 15, 20  
 CR, CRN 32, 45, 64

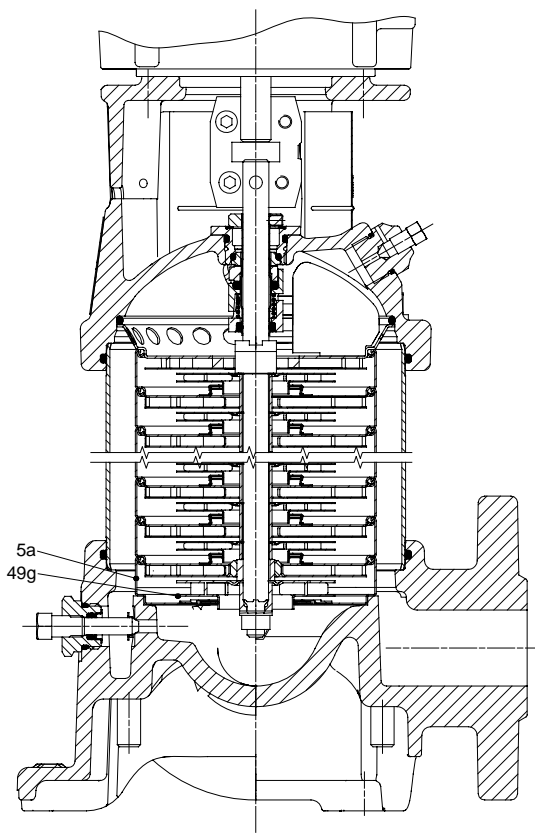
Low NPSH

50/60 Hz, 3~

<b>1.</b>	<b>CR, CRI, CRN 3</b> .....	<b>2</b>
1.1	Drawing.....	2
1.2	Parts list.....	2
1.3	Bearing positions.....	3
<b>2.</b>	<b>CR, CRI, CRN 5</b> .....	<b>4</b>
2.1	Drawing.....	4
2.2	Parts list.....	4
2.3	Bearing positions.....	5
<b>3.</b>	<b>CR, CRI, CRN 10</b> .....	<b>6</b>
3.1	Drawing.....	6
3.2	Parts list.....	6
3.3	Bearing positions.....	7
<b>4.</b>	<b>CR, CRI, CRN 15</b> .....	<b>8</b>
4.1	Drawing.....	8
4.2	Parts list.....	9
4.3	Bearing positions.....	10
<b>5.</b>	<b>CR, CRI, CRN 20</b> .....	<b>11</b>
5.1	Drawing.....	11
5.2	Parts list.....	11
5.3	Bearing positions.....	13
<b>6.</b>	<b>CR, CRN 32</b> .....	<b>14</b>
6.1	Drawing.....	14
6.2	Parts list.....	14
6.3	Bearing positions.....	15
<b>7.</b>	<b>CR, CRN 45</b> .....	<b>16</b>
7.1	Drawing.....	16
7.2	Parts list.....	16
7.3	Bearing positions.....	17
<b>8.</b>	<b>CR, CRN 64</b> .....	<b>18</b>
8.1	Drawing.....	18
8.2	Parts list.....	18
8.3	Bearing positions.....	19

## 1. CR, CRI, CRN 3

### 1.1 Drawing



TM02 6613 1103

**Fig. 1** Sectional drawing, CR, CRI, CRN 3

Parts without position numbers, see the parts list of the standard pump in WinCAPS or WebCAPS.

### 1.2 Parts list

Pos.	Designation	Quantity	Additional information	Part number		
				CR, CRI, CRN	CRN electro-polished	CRI, CRN cold duty
4	Chamber					96260851
4a	Chamber with bearing					96260852
5a	Chamber, bottom	1		96465891	96260909	96260863
49g	Impeller, special	1		96437503	96104806	96437503

1.3 Bearing positions

CR, CRI, CRN 3 Low NPSH

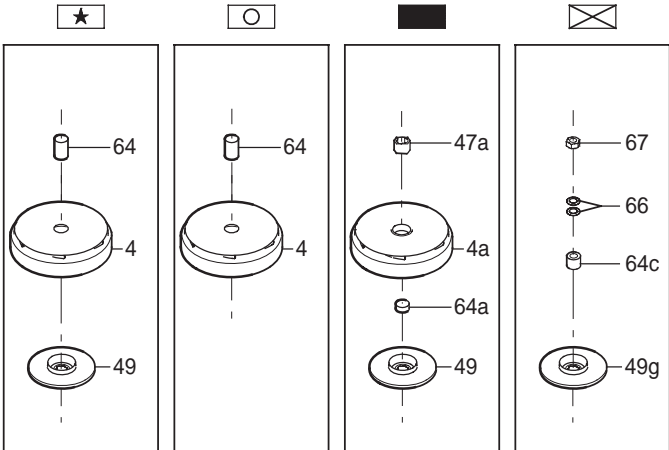
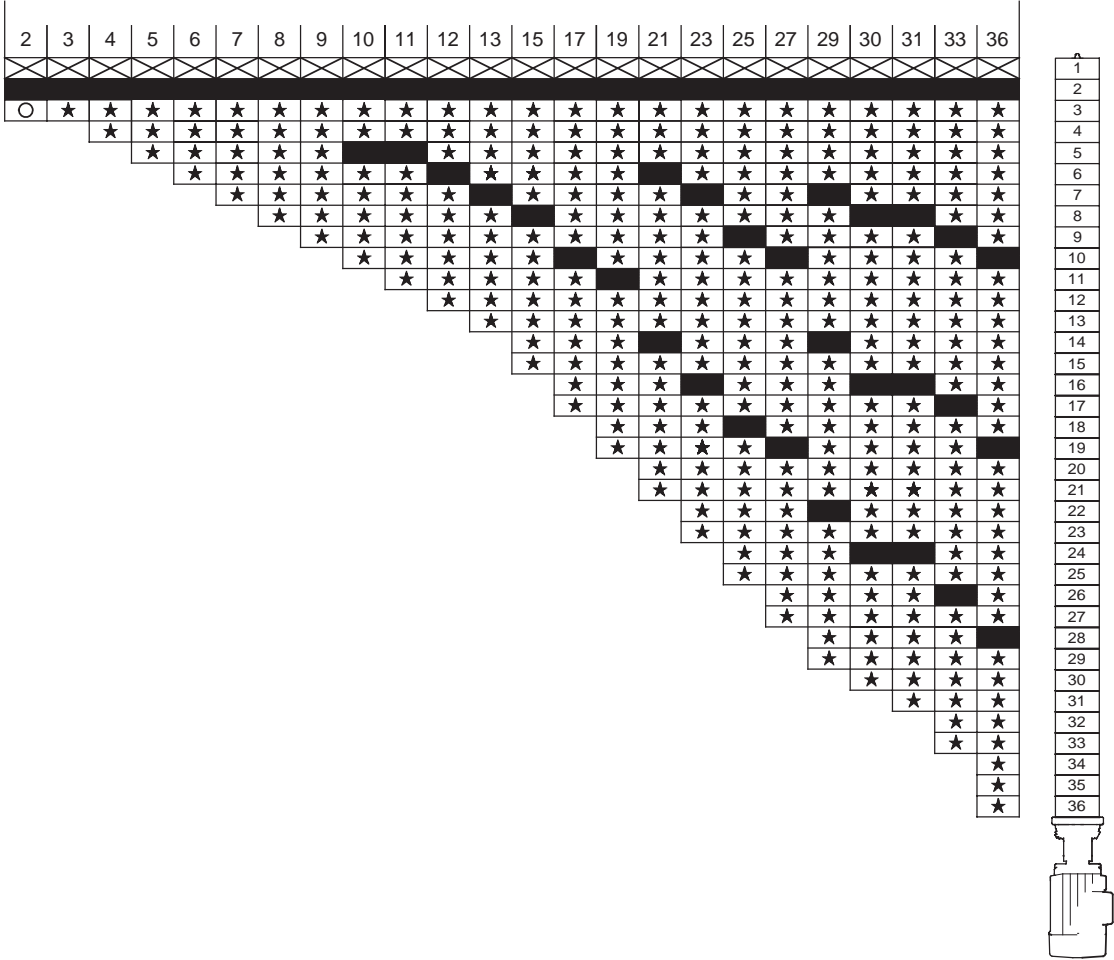
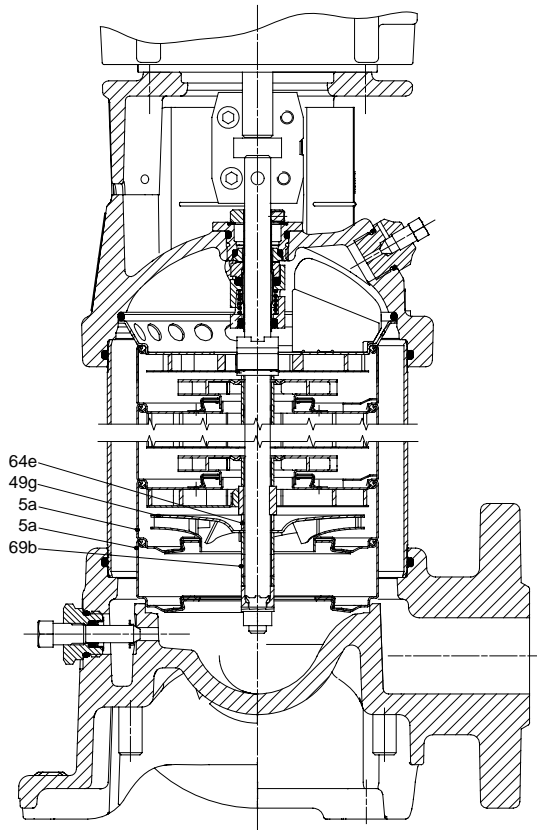


Fig. 2 Order of assembly, CR, CRI, CRN 3

TM03 8378 1207

2. CR, CRI, CRN 5

2.1 Drawing



TM02 6614 1103

Fig. 3 Sectional drawing, CR, CRI, CRN 5

Parts without position numbers, see the parts list of the standard pump in WinCAPS or WebCAPS.

2.2 Parts list

Pos.	Designation	Quantity	Additional information	Part number		
				CR, CRI, CRN	CRN electro-polished	CRI, CRN cold duty
4	Chamber					96260854
4a	Chamber with bearing					96260855
5a	Chamber, bottom and second-lowest	2		96462144	96260912	96260864
49g	Impeller, special	1		96462490	96260904	96462490
64e	Spacing pipe	1	7.3 mm	400233	96260905	400233
69b	Spacing pipe	2	10 mm	430022		430022
69b	Spacing pipe	1	10 mm		96260906	

2.3 Bearing positions

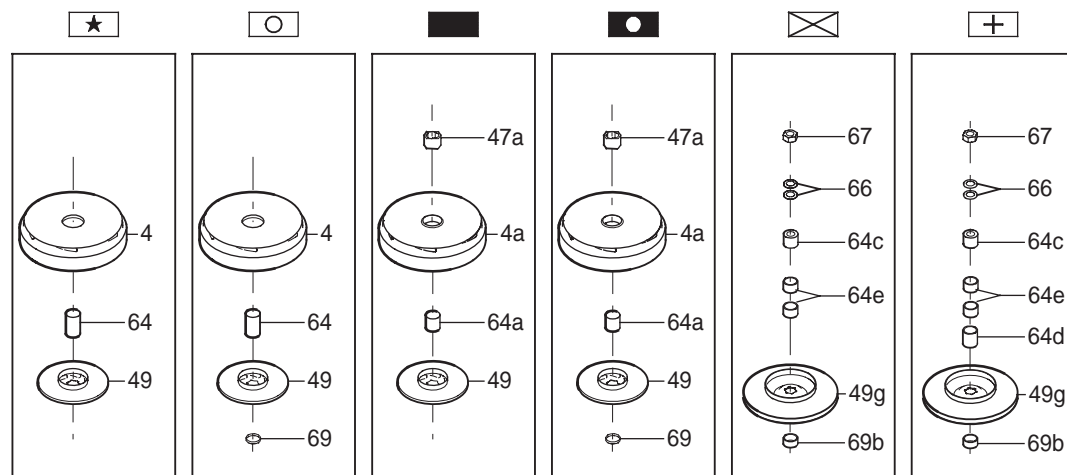
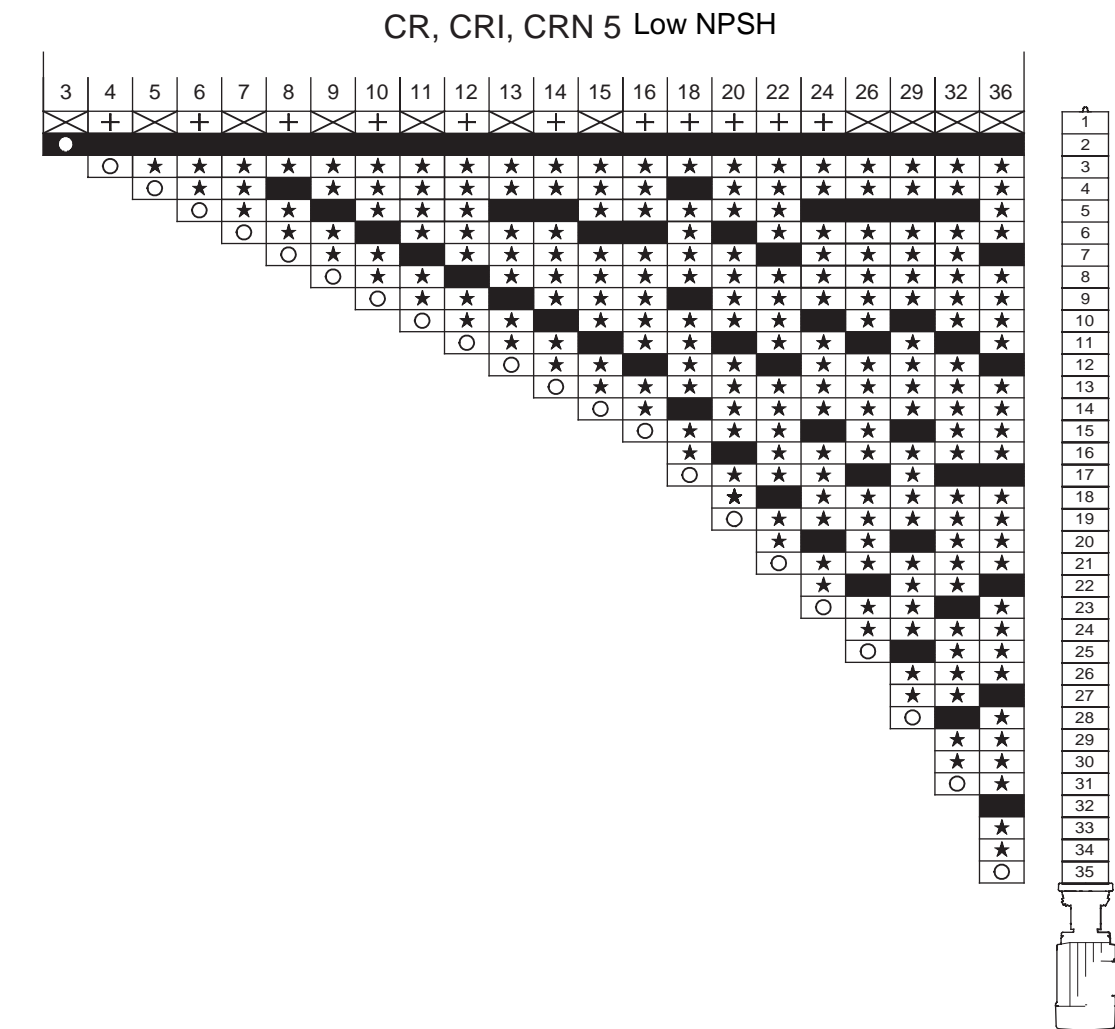
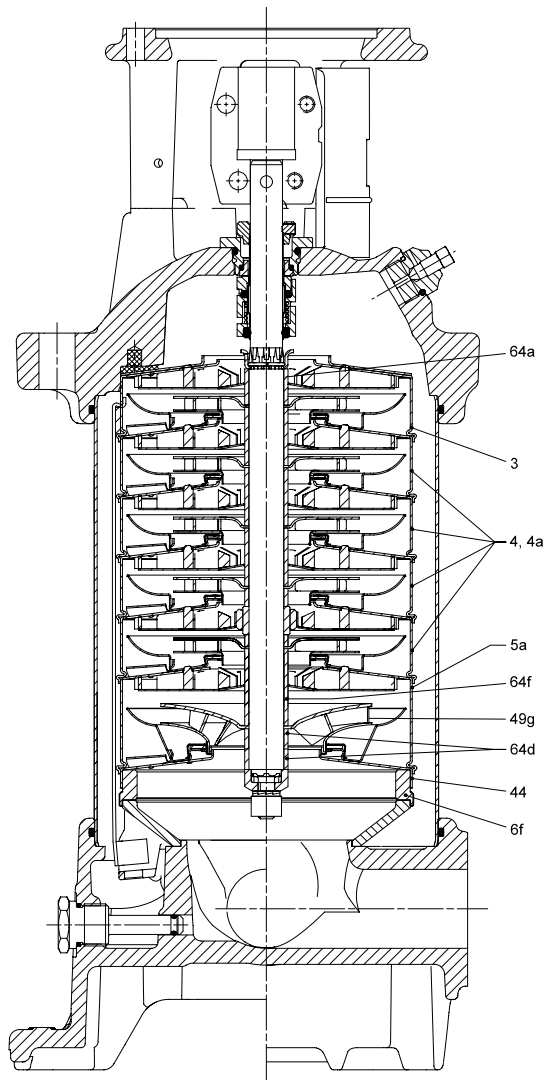


Fig. 4 Order of assembly, CR, CRI, CRN 5

TM02 6615 1807

### 3. CR, CRI, CRN 10

#### 3.1 Drawing



TM03 8379 1207

**Fig. 5** Sectional drawing, CR, CRI, CRN 10

Parts without position numbers, see the parts list of the standard pump in WinCAPS or WebCAPS.

#### 3.2 Parts list

Pos.	Designation	Quantity	Part number				
			CR, CRI, CRN	CR, CRI, CRN -3 & -17	CRN electro-polished	CRN -3& -17 electro-polished	CRI, CRN cold duty
3	Chamber, top	1		96491220		96124776	a)
4	Chamber		Standard parts		Electro-polished standard parts		96260857
4a	Chamber with bearing						96260858
5a	Chamber, bottom	1	96505300		96260963		96260865
6f	Distance piece	1	96505491		96260960		a)
44	Inlet part	1	96489039		96124798		96260862
49g	Impeller, special	1	96476527		96124801		a)
64a	Spacing pipe	1		331409		96550579	a)
64d	Spacing pipe	2		331402		96260958	a)
64f	Spacing pipe	1		331406		96260959	a)

a) The same as for CR, CRI and CRN low NPSH.

3.3 Bearing positions

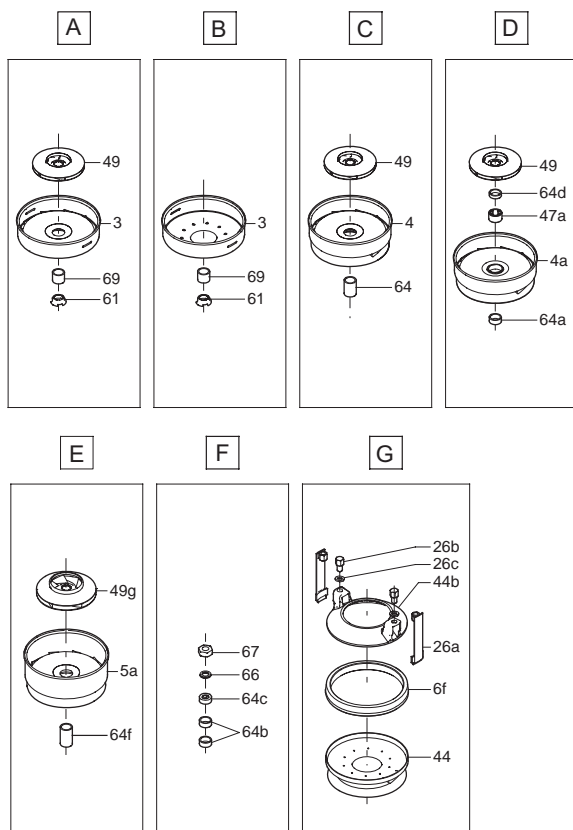
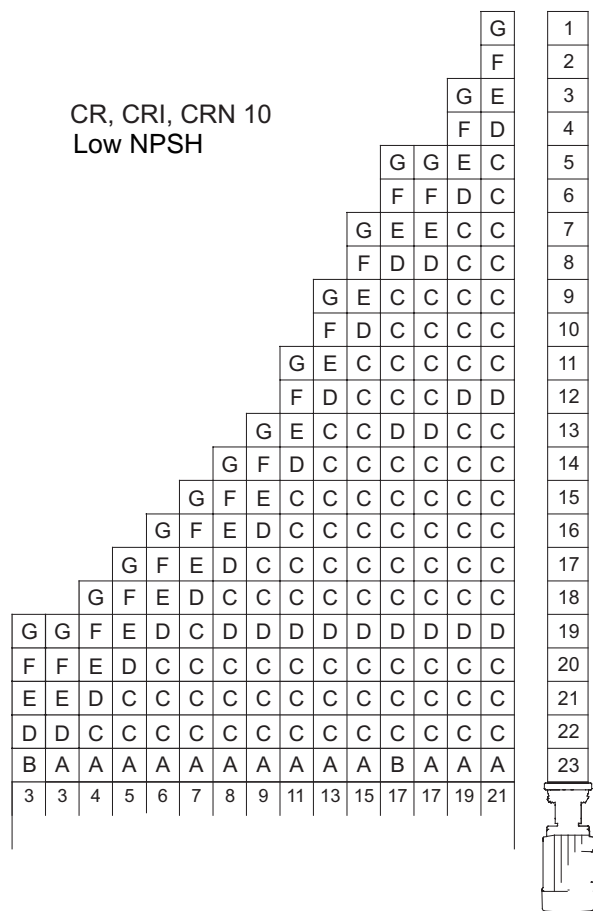
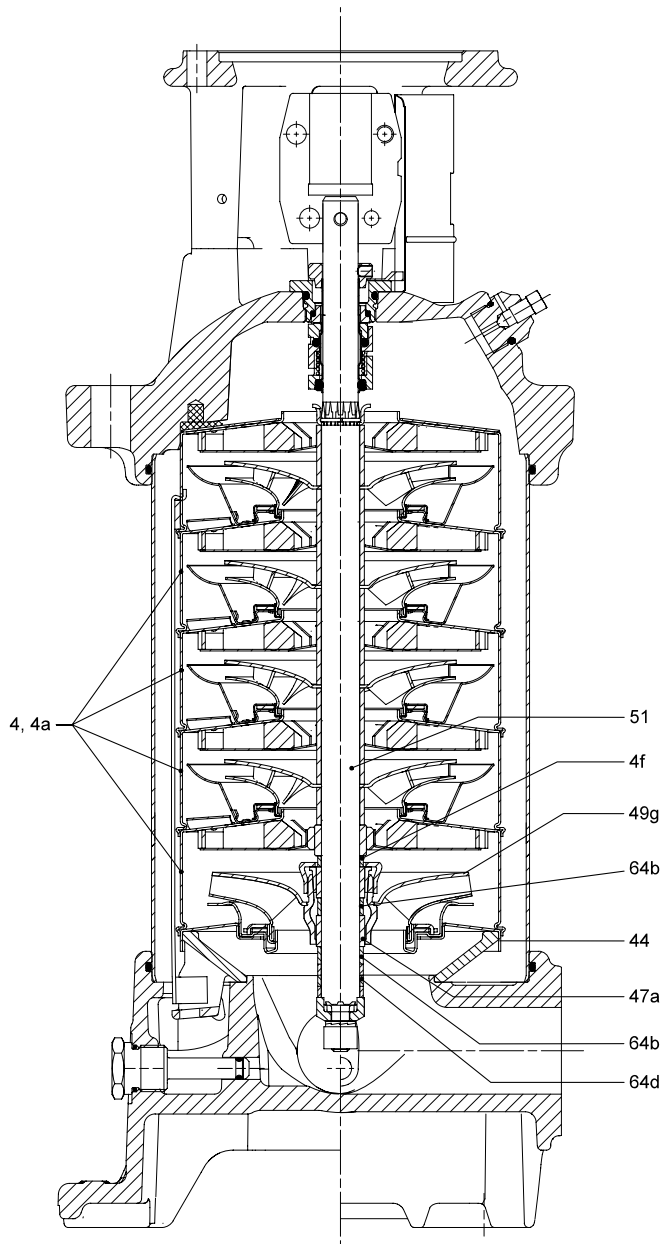


Fig. 6 Order of assembly, CR, CRI, CRN 10

TM03 07011807

## 4. CR, CRI, CRN 15

### 4.1 Drawing



TM03 6360 1207

Fig. 7 Sectional drawing, CR, CRI, CRN 15

Parts without position numbers, see the parts list of the standard pump in WinCAPS or WebCAPS.



## 4.2 Parts list

Pos.	Designation	Quantity	Additional information	Part number		
				CR, CRI, CRN	CRN electro-polished	CRI, CRN cold duty
4	Chamber	a)		Standard parts	Electro-polished standard parts	96260860
4a	Chamber with bearing	a)				96260861
44	Inlet part	1		96491227	96260966	96491227
47a	Bearing ring	1			330085	
49g	Impeller, special	1		96521444	96260967	96521444
51	Shaft	1			a)	
64b	Spacing pipe	2	8 mm	331411	96260957	331411
64f	Spacing pipe	a)	5 mm	331401	96124802	331401

a) See next table.

Number of stages	Pos. 64f		Pos. 51		Pos. 4	Pos. 4a
	CR, CRI, CRN	CR, CRI	CRN	CRN electro-polished	Cold duty	
	Quantity	Part number	Part number	Part number	Quantity	Quantity
2	1	96490796	96491613	96124753	0	1
3	4	96490872	96491619	96124756	1	1
4	1	96490874	96491621	96124757	2	1
5	4	96490880	96491627	96124760	3	1
6	1	96490882	96491629	96124761	4	1
7	4	96490886	96491633	96124763	4	2
8	3	96490888	96491635	96124764	5	2
9	3	96490892	96491639	96124766	6	2
10	1	96490894	96491641	96124767	7	2
12	1	96504912	96504912	96124769	8	3
14	1	96490913	96491649	96124772	10	3
17	3	96493524	96493524	96124774	13	3

4.3 Bearing positions

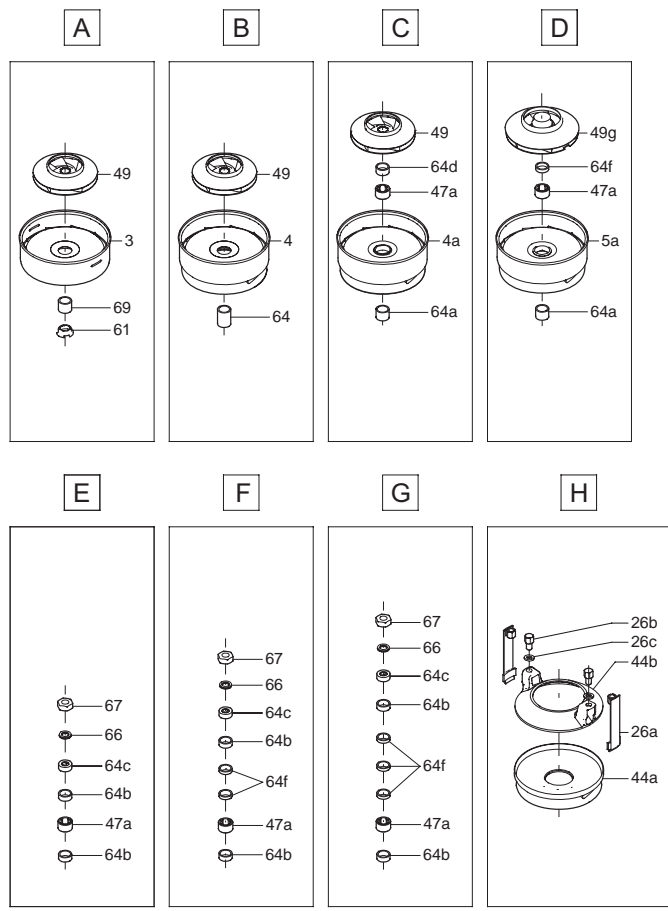
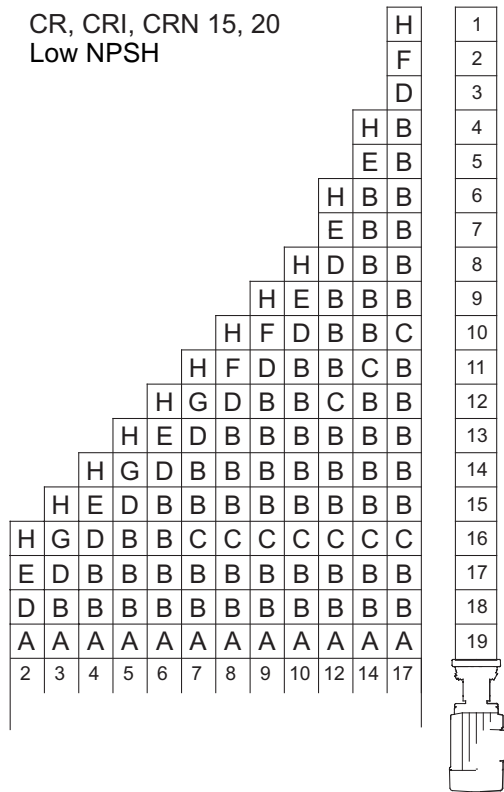
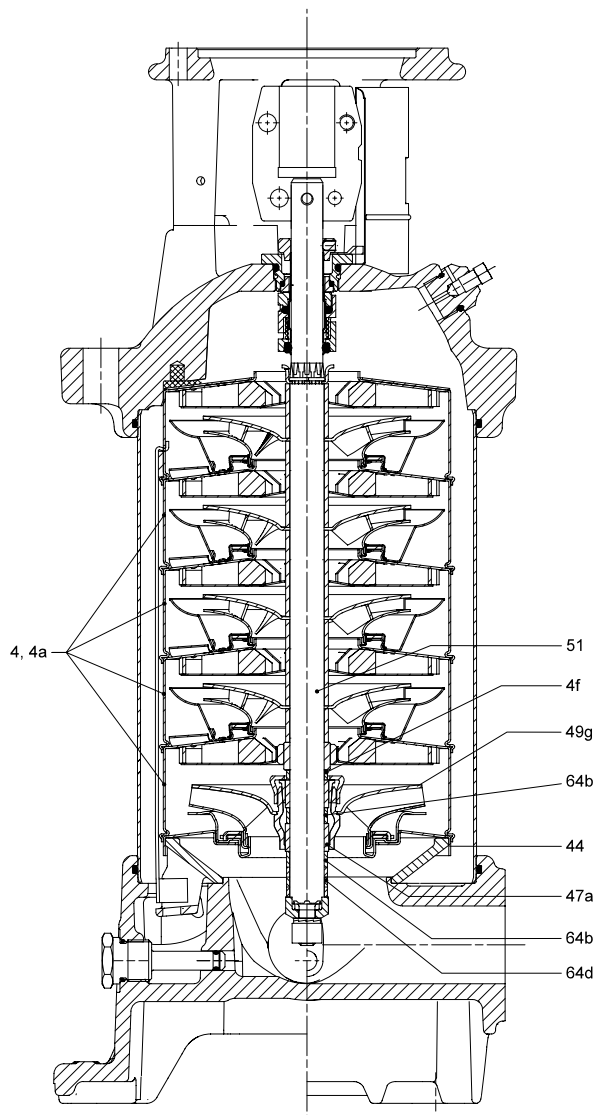


Fig. 8 Order of assembly, CR, CRI, CRN 15

TM03 0699 1807

## 5. CR, CRI, CRN 20

### 5.1 Drawing



TM03 8380 1207

**Fig. 9** Sectional drawing, CR, CRI, CRN 20

Parts without position numbers, see the parts list of the standard pump in WinCAPS or WebCAPS.

### 5.2 Parts list

Pos.	Designation	Quantity	Additional information	Part number		
				CR, CRI, CRN	CRN electro-polished	CRI, CRN cold duty
4	Chamber	a)		Standard parts	Electro-polished standard parts	96260860
4a	Chamber with bearing	a)				96260861
44	Inlet part	1		96491227	96260966	96491227
47a	Bearing ring	1			330085	
49g	Impeller, special	1		96521444	96260967	96521444
51	Shaft	1			a)	
64b	Spacing pipe	2	8 mm	331411	96260957	331411
64f	Spacing pipe	a)	5 mm	331401	96124802	331401

a) See next table.

# CR, CRI, CRN 20

Number of stages	Pos. 64f		Pos. 51		Pos. 4	Pos. 4a
	CR, CRI, CRN	CR, CRI	CRN	CRN electro-polished	cold duty	
	Quantity	Part number	Part number	Part number	Quantity	Quantity
2	1	96490796	96491613	96124753	0	1
3	4	96490872	96491619	96124756	1	1
4	1	96490874	96491621	96124757	2	1
5	4	96490880	96491627	96124760	3	1
6	1	96490882	96491629	96124761	4	1
7	4	96490886	96491633	96124763	4	2
8	3	96490888	96491635	96124764	5	2
9	3	96490892	96491639	96124766	6	2
10	1	96490894	96491641	96124767	7	2
12	1	96504912	96504912	96124769	8	3
14	1	96490913	96491649	96124772	10	3
17	3	96493524	96493524	96124774	13	3

5.3 Bearing positions

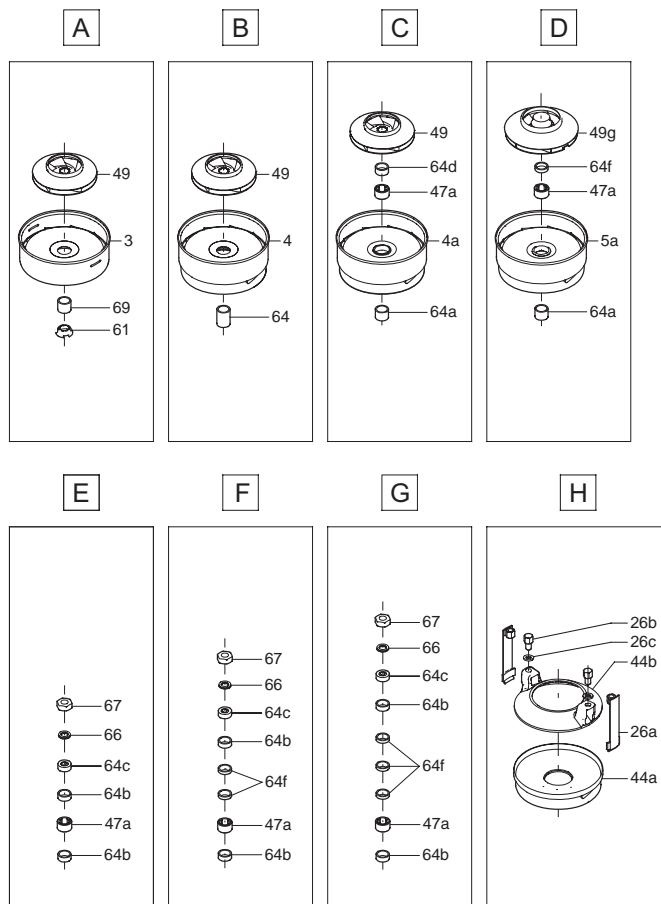
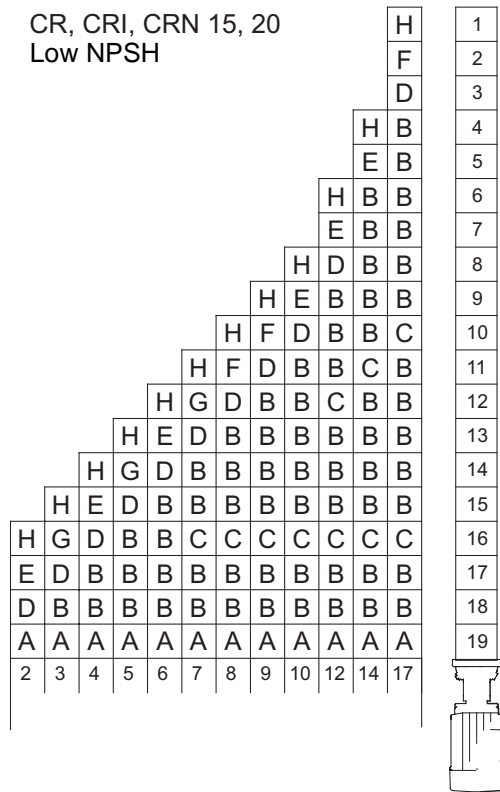
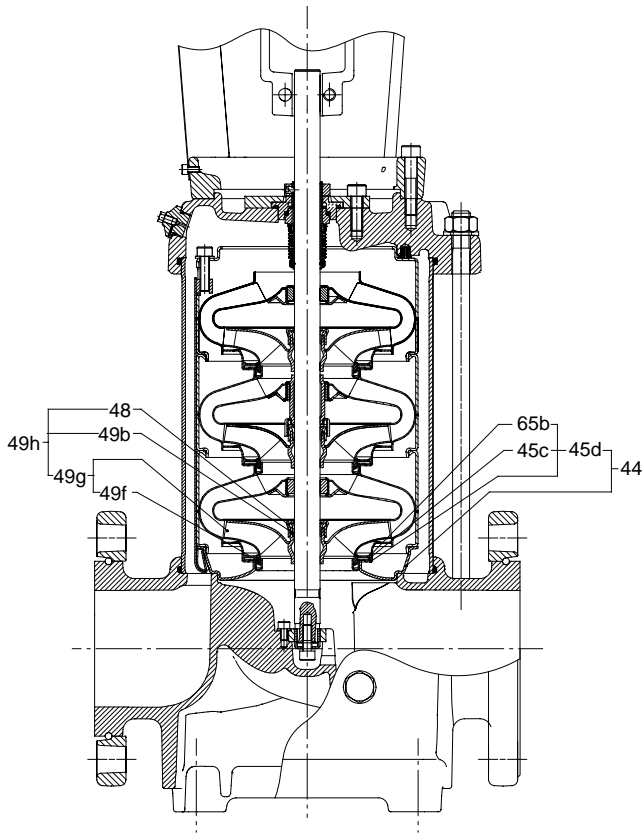


Fig. 10 Order of assembly, CR, CRI, CRN 20

TM03 0699 1807

## 6. CR, CRN 32

### 6.1 Drawing



TM01 9600 2100

Fig. 11 Sectional drawing, CR, CRN 32

Parts without position numbers, see the parts list of the standard pump in WinCAPS or WebCAPS.

### 6.2 Parts list

Pos.	Designation	Quantity	Part number
			CR, CRN
44	Inlet part	1	290885
49g	Impeller, bottom	1	290873

6.3 Bearing positions

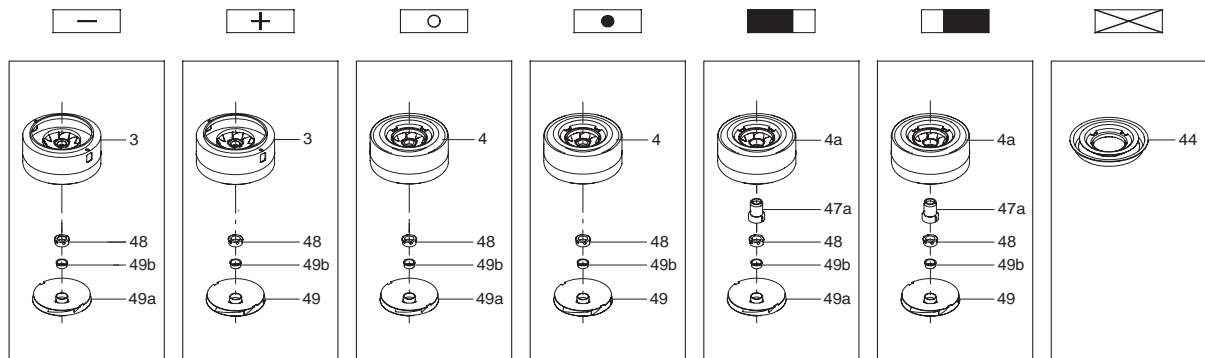
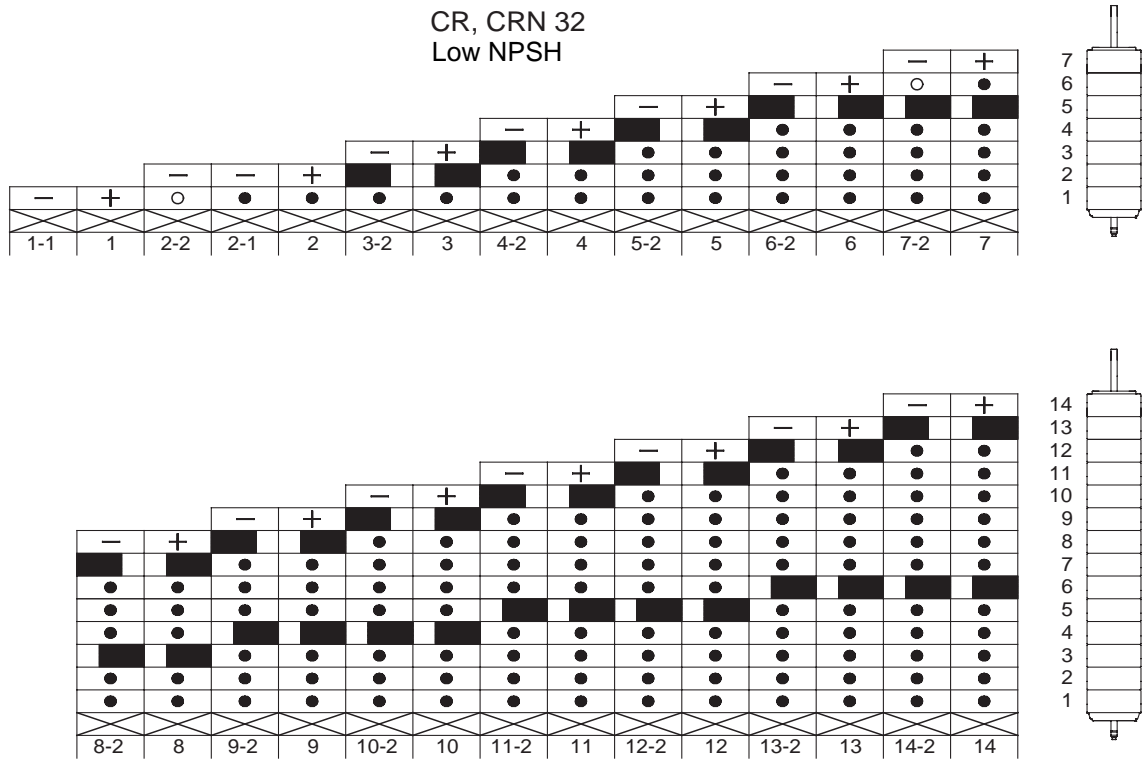
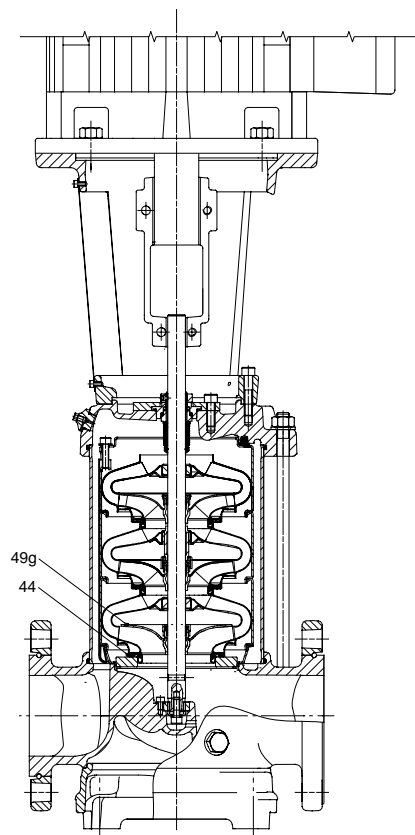


Fig. 12 Order of assembly, CR, CRN 32

TM01 1855 1807

## 7. CR, CRN 45

### 7.1 Drawing



TM02 6617 1103

**Fig. 13** Sectional drawing, CR, CRN 45

Parts without position numbers, see the parts list of the standard pump in WinCAPS or WebCAPS.

### 7.2 Parts list

Pos.	Designation	Quantity	Part number
			CR, CRN
44	Inlet part	1	350838
49g	Impeller, bottom	1	350840



7.3 Bearing positions

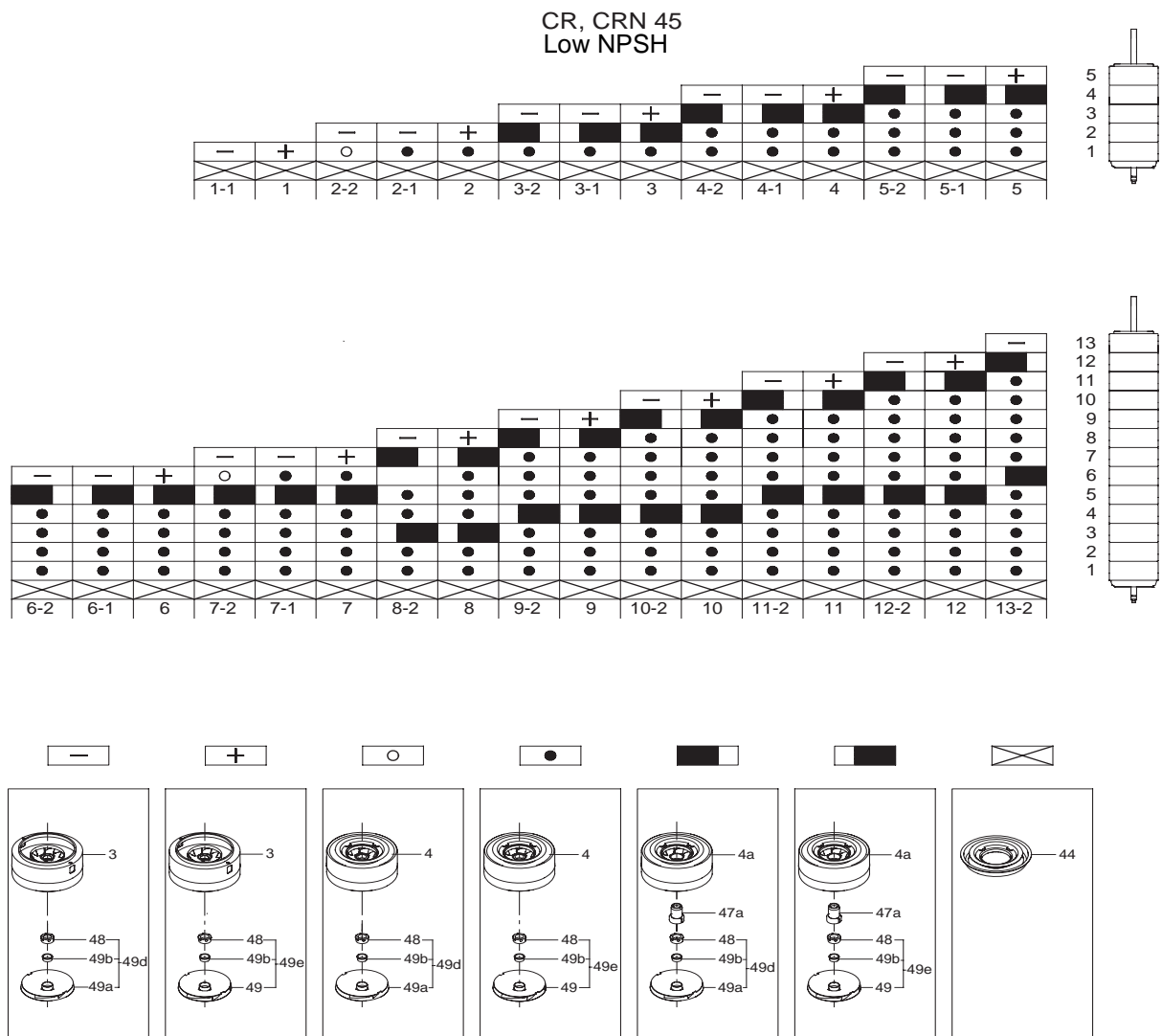
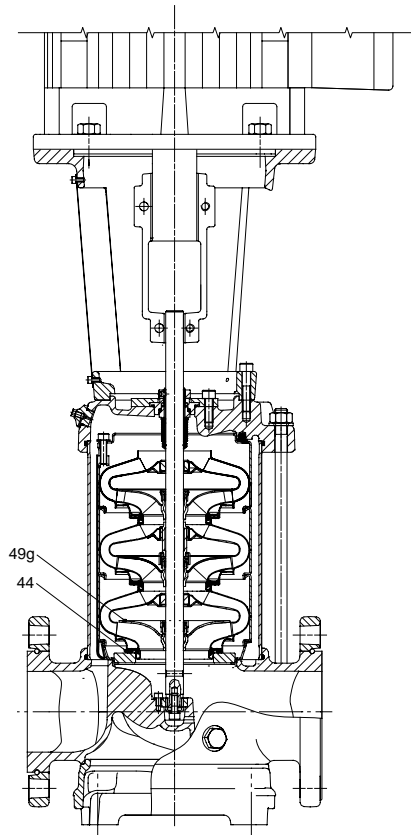


Fig. 14 Order of assembly, CR, CRN 45

## 8. CR, CRN 64

### 8.1 Drawing



TM02 6617 1103

**Fig. 15** Sectional drawing, CR, CRN 64

Parts without position numbers, see the parts list of the standard pump in WinCAPS or WebCAPS.

### 8.2 Parts list

Pos.	Designation	Quantity	Part number
			CR, CRN
44	Inlet part	1	370969
49g	Impeller, bottom	1	370971

### 8.3 Bearing positions

CR, CRN 64  
Low NPSH

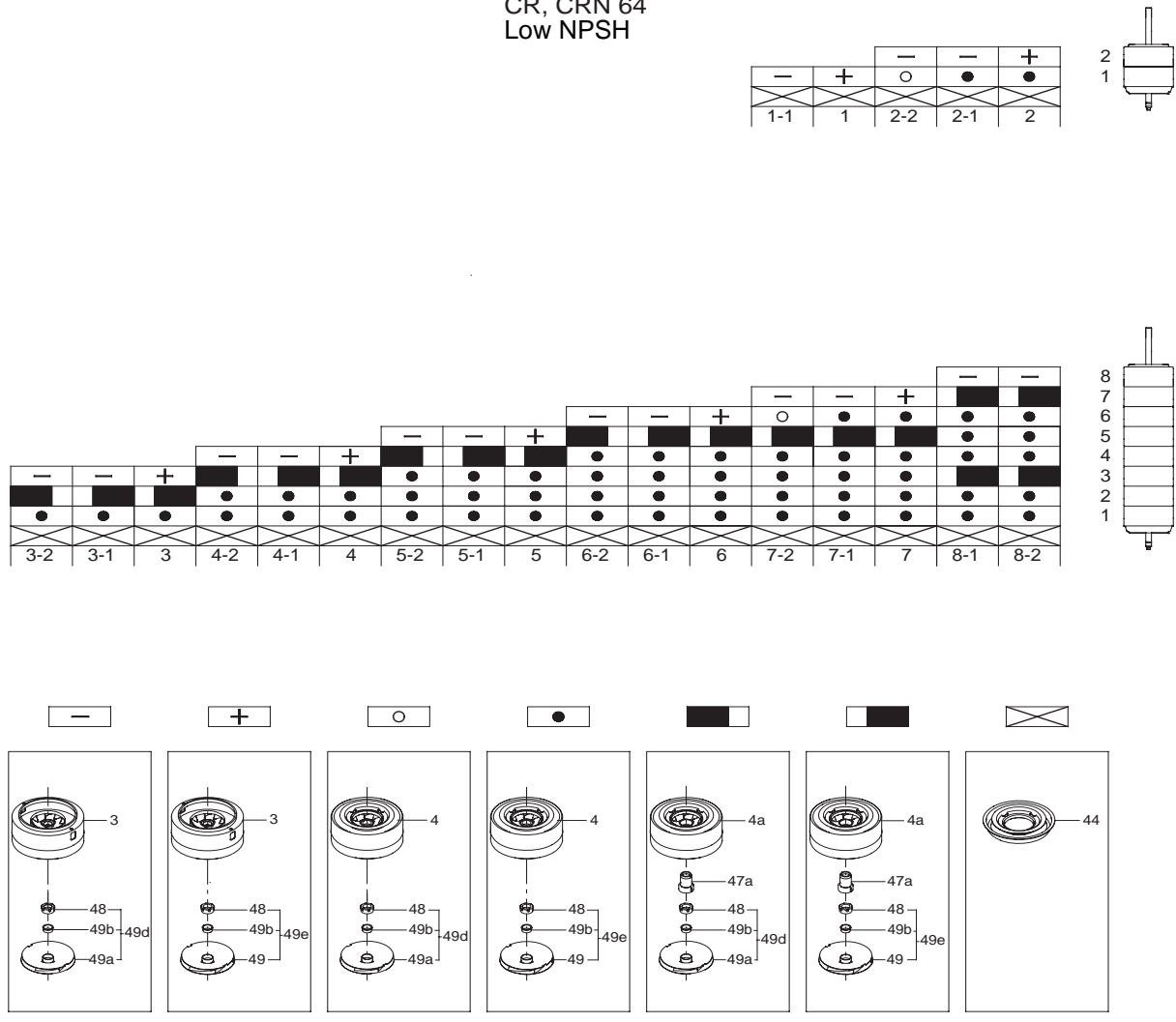


Fig. 16 Order of assembly, CR, CRN 64

TM01 1857 1807